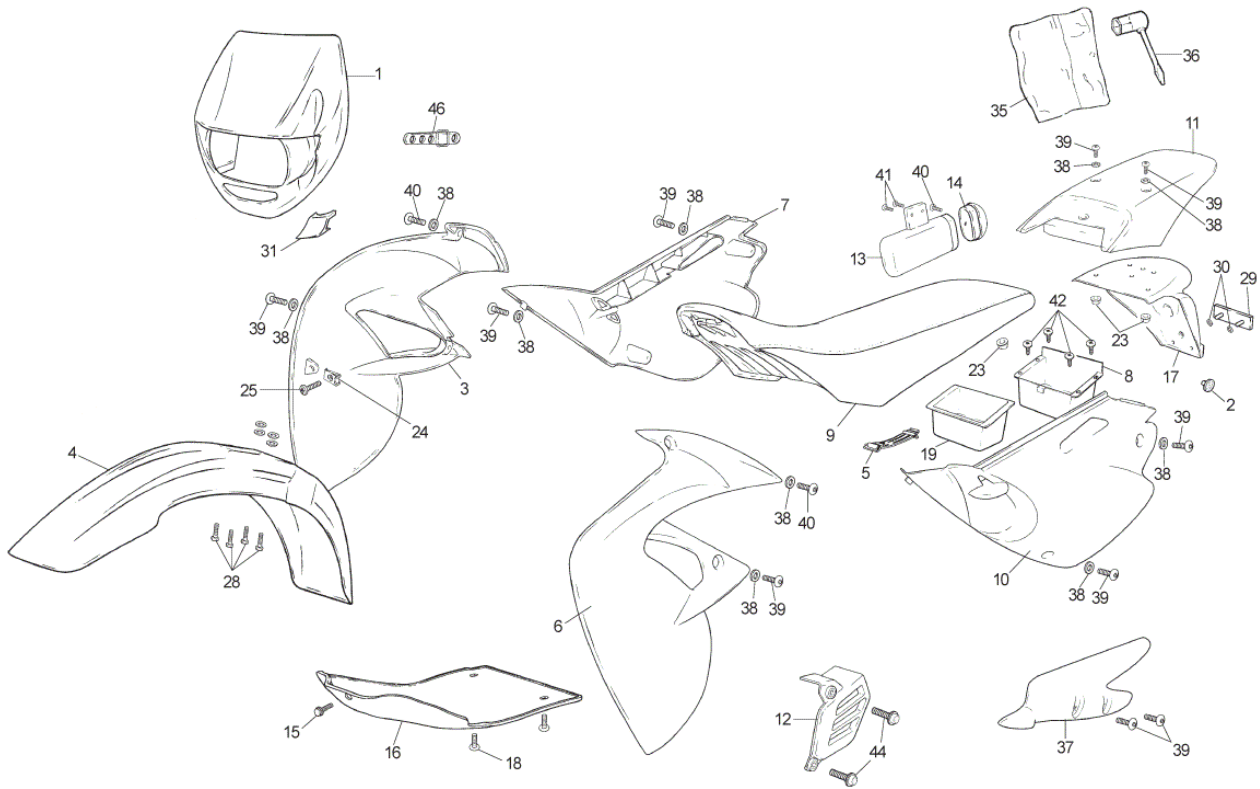


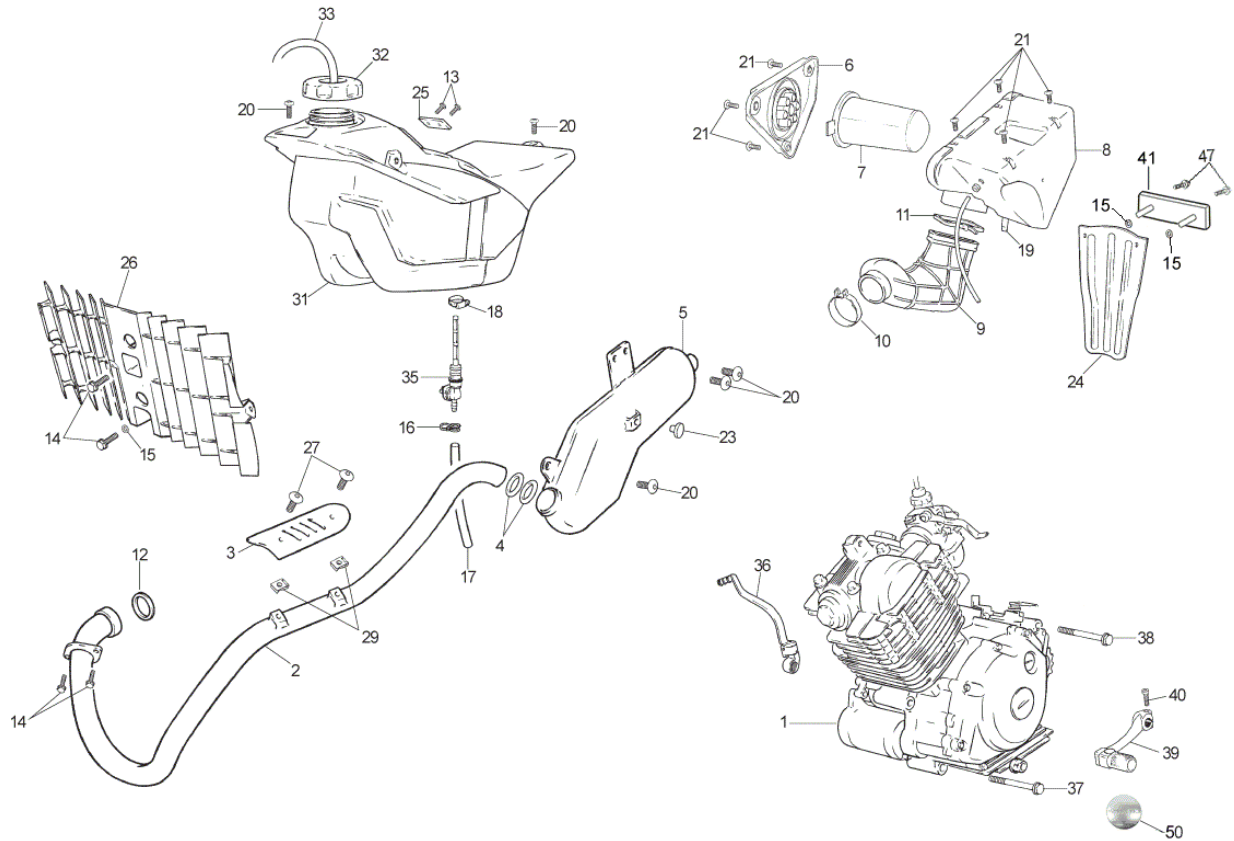
01 MRX\2k3\CHASSIS

- 1 0/000.010.6000 FRAME
- 2 0/000.020.6000 SUSINGING ARM
- 3 0/000.260.6000 BUSH
- 4 0/000.980.6001 BRACKET
- 5 0/000.730.6000 BRAKE PEDAL
- 6 0/000.210.5000 STAND
- 7 0/000.980.6000 BOLT
- 8 0/000.380.5000 ADJUSTER R / H
- 9 0/000.380.5001 ADJUSTER L / H
- 10 0/000.740.0330 PASSENGER FOOTREST (IRON)
- 10 0/000.740.0221 RIGHT PASSENGER FOOTREST 2009
- 11 0/000.340.0170 (BOLSA 5 uds) TUERCA M6 AUTOBL/DIN6926/JS500
- 12 0/000.460.0622 BOLT
- 13 0/000.460.0600 (BOLSA 5 uds) TILLO 6921-G8.8 JS500 M6x16
- 14 0/000.340.0180 (BOLSA 5 uds) TUERCA M6 AUTOBL/DIN6926/JS500
- 15 0/000.340.0182 (BOLSA 5 uds) TUERCA M10 AUTOBL/DIN6926/JS500
- 16 0/000.740.0300 FOOTREST R / H
- 17 0/000.740.0310 FOOTREST L / H
- 18 0/000.630.5000 PLATE
- 19 0/000.980.6002 FRAME BRACE
- 20 0/000.480.6001 BUSH
- 22 0/000.360.5001 PROTECTOR
- 23 0/000.710.0310 CHAIN GUIDE
- 24 0/000.360.0370 BUSH
- 25 0/000.190.8001 SPINDLE (FRAM.LT 601863)
- 25 0/000.190.8000 SPINDLE (FRAM.GT 601864)
- 26 0/000.440.0123 (BOLSA 5 uds) ARANDELA PLANA DE 15
- 27 0/000.470.5002 SPRING
- 28 0/000.360.6001 ROLLER
- 29 0/000.470.5000 STAND SPRING
- 30 0/000.340.0182 (BOLSA 5 uds) TUERCA M10 AUTOBL/DIN6926/JS500
- 31 0/000.460.0403 BOLT
- 32 0/000.480.5001 BUSH
- 33 0/000.980.5006 LINK
- 34 0/000.460.5100 BOLT
- 35 0/000.460.0673 BOLT
- 36 0/000.480.0645 SPACER
- 37 0/000.660.5000 PAD
- 38 0/000.440.0160 (BOLSA 5 uds) ARANDELA LIS.8,5x17x1.25 GT-TT
- 39 0/000.340.5000 NUT
- 40 0/000.340.5101 (BOLSA 5 uds) TUERCA RAPIDA M6 DACROMET 500GR
- 41 0/000.470.5001 SPRING
- 42 0/000.390.5001 DECAL KIT RED
- 42 0/000.390.5002 DECAL KIT YELLOW
- 42 0/000.390.5000 DECAL KIT BLUE
- 43 0/000.460.3015 (BOLSA 5 uds) TILLO FIJACION CABALLETE MOD/MRX
- 44 0/000.460.0811 SCREW
- 45 0/000.340.0172 NUT
- 46 0/000.460.0550 (BOLSA 5 uds) TILLO 6921-G8.8 JS500 M8x100
- 47 0/000.390.0777 DECAL SWING ARM
- 48 0/000.460.0610 (BOLSA 5 uds) TILLO. 6921-G8.8 JS500 M6x20
- 49 0/000.340.0182 (BOLSA 5 uds) TUERCA M10 AUTOBL/DIN6926/JS500
- 50 0/000.440.0110 (BOLSA 5 uds) ARANDELA BIS 10x24x1.5
- 51 0/000.460.0745 (BOLSA 5 uds) TILLO.DIN-7982 5.5 X 19
- 52 0/000.460.0510 BOLT
- 53 0/000.460.0322 BOLT
- 54 0/000.680.0300 CLIP
- 55 0/000.460.0740 BOLT
- 56 0/000.460.0491 BOLT
- 57 0/000.410.0131 PLUG
- 58 0/000.740.0330 PASSENGER FOOTREST (IRON)
- 58 0/000.740.0221 LEFT PASSENGER FOOTREST 2009



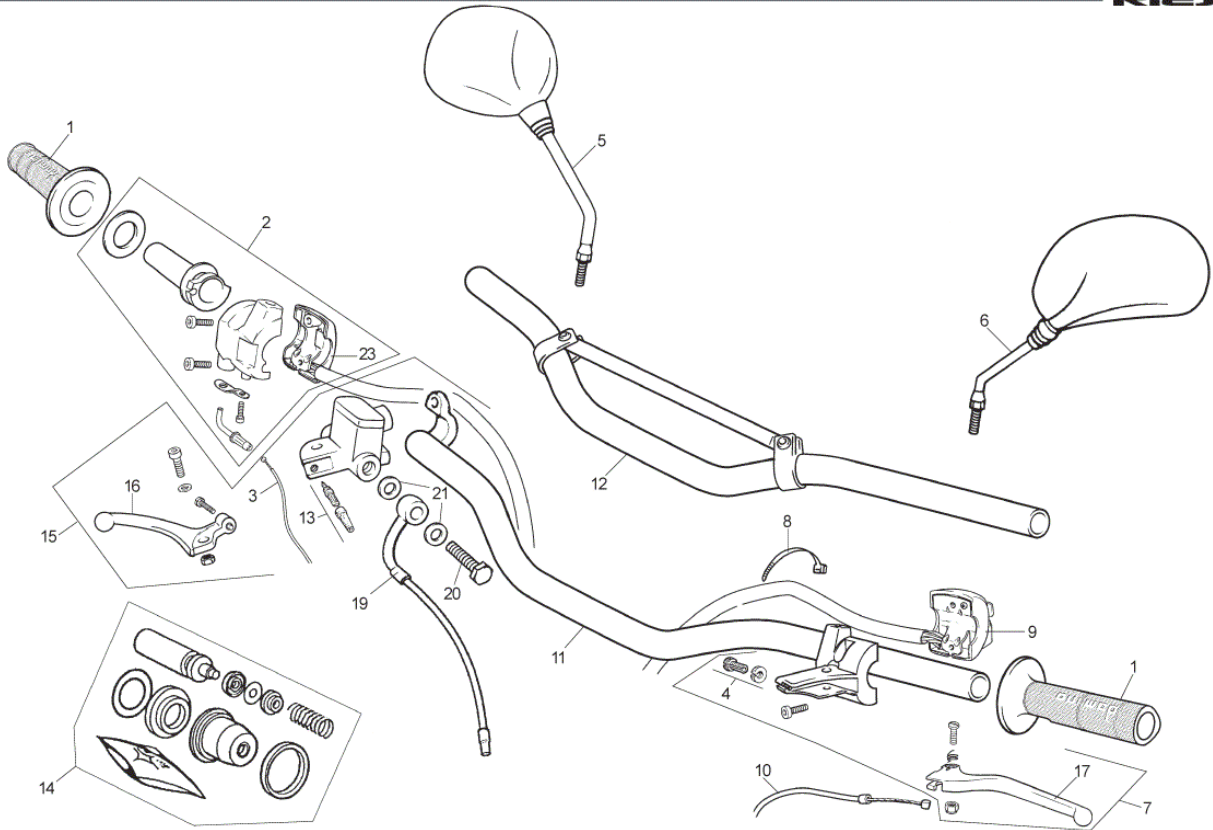
02 MRX\2k3\PLASTICS

- 1 0/000.620.5113 COWLING YELLOW
- 1 0/000.620.5110 COWLING BLUE
- 1 0/000.620.5112 COWLING RED
- 2 0/000.630.0530 REFLECTOR
- 3 0/000.570.5008 PANEL R / H RED RADIATOR
- 3 0/000.570.5012 PANEL R / H YELLOW RADIATOR
- 3 0/000.570.5000 PANEL R / H BLUE RADIATOR
- 4 0/000.050.5007 FRONT MUDGUARD RED
- 4 0/000.050.5004 FRONT MUDGUARD YELLOW
- 4 0/000.050.5000 FRONT MUDGUARD BLUE
- 5 0/000.360.5003 BATTERY STRAP
- 6 0/000.570.5013 PANEL L / H YELLOW RADIATOR
- 6 0/000.570.5001 PANEL L / H BLUE RADIATOR
- 6 0/000.570.5009 PANEL L / H RED RADIATOR
- 7 0/000.570.5014 PANEL R / H YELLOW
- 7 0/000.570.5002 PANEL R / H BLUE
- 7 0/000.570.5010 PANEL R / H RED
- 8 0/000.980.5000 BATTERY BOX
- 9 0/000.040.5002 SEAT RED
- 9 0/000.040.5003 SEAT YELLOW
- 9 0/000.040.5001 SEAT BLUE
- 10 0/000.570.5011 PANEL L / H RED
- 10 0/000.570.5015 PANEL L / H YELLOW
- 10 0/000.570.5003 PANEL L / H BLUE
- 11 0/000.060.5000 REAR MUDGUARD BLUE
- 11 0/000.060.5002 REAR MUDGUARD RED
- 11 0/000.060.5003 REAR MUDGUARD YELLOW
- 12 0/000.220.6000 SPROCKET COVER
- 13 0/000.910.5001 TOOL BOX
- 14 0/000.910.5001 TOOL BOX CAP
- 15 0/000.460.0651 BOLT
- 16 0/000.220.8000 SUMP SHIELD
- 17 0/000.060.5100 NO. PLATE SUPPORT
- 18 0/000.460.1182 (BOLSA 5 uds) TILLO.ESPECIAL PLAST.M6 X 15
- 19 0/000.980.5009 BATTERY PROTECTOR
- 23 0/000.340.0170 (BOLSA 5 uds) TUERCA M6 AUTOBL/DIN6926/J5500
- 24 0/000.340.5100 (BOLSA 5 uds) TUERCA RAPIDA M5
- 25 0/000.460.1170 (BOLSA 5 uds) TILLO.DE PLASTICO M6X16 RS1
- 28 0/000.460.0600 (BOLSA 5 uds) TILLO 6921-G8.8 J5500 M6x16
- 29 0/000.630.0550 REFLECTOR
- 30 0/000.440.0400 CLIP
- 31 0/000.350.5510 HOSE CLIP BLUE 2003
- 31 0/000.350.5512 HOSE CLIP RED 2003
- 31 0/000.350.5513 HOSE CLIP YELLOW 2003
- 35 0/000.760.0020 TOOL BAG
- 36 0/000.970.6050 PLUG SPANNER
- 37 0/000.200.0301 CHAIN GUARD
- 38 0/000.440.5000 (BOLSA 5 uds) ARANDELA DE PLASTICO M6 6.2 X 14
- 39 0/000.460.1180 (BOLSA 5 uds) TILLO.ESPECIAL PLAST. M6X17.5 RS1
- 40 0/000.460.1189 (BOLSA 5 uds) TILLO ESPECIAL PLAST.M6X9
- 41 0/000.460.1190 (BOLSA 5 uds) TILLO.ESPECIAL PLAST.ESP/7380 M6X
- 42 0/000.460.1168 SCREW
- 44 0/000.460.0610 (BOLSA 5 uds) TILLO. 6921-G8.8 J5500 M6x20
- 46 0/000.360.0172 HEADLAMP SUPPORT
- 50 0/000.630.0530 REFLECTOR



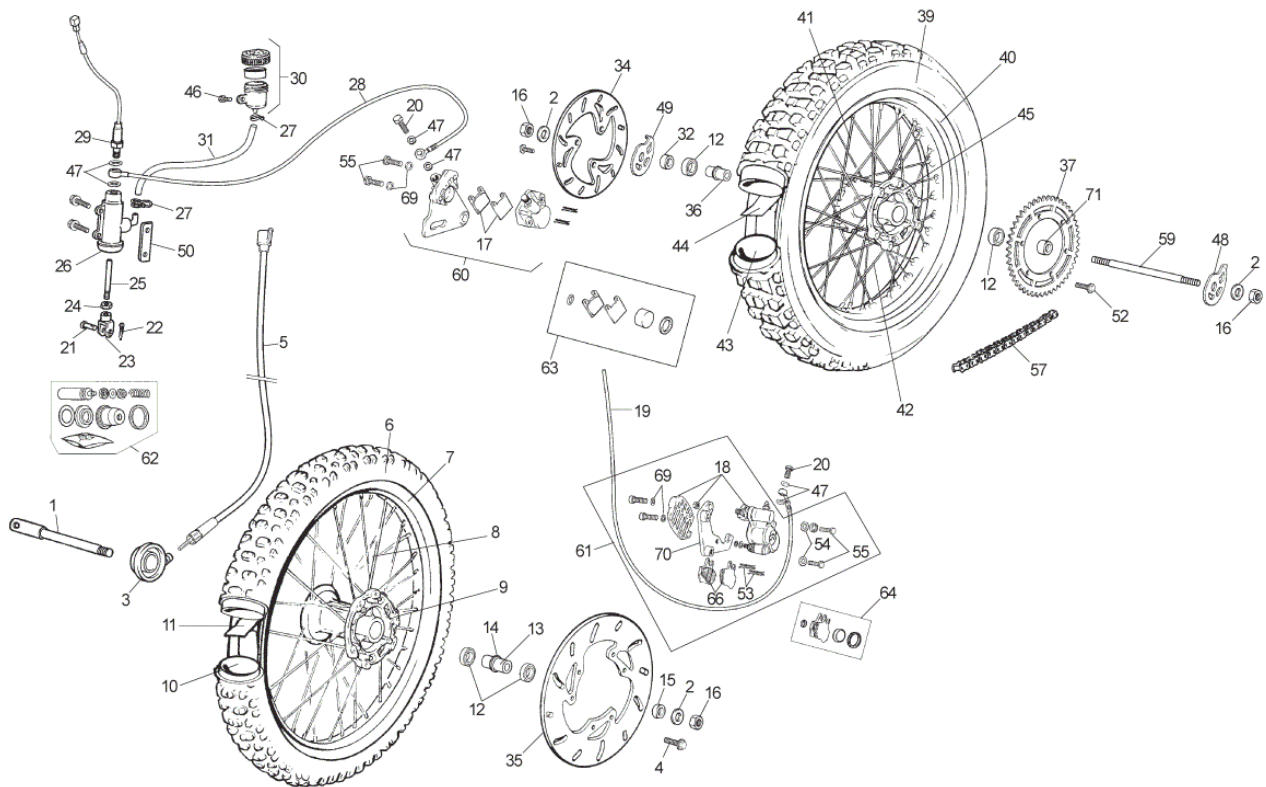
03 MRX\2k3\DEPOSIT, ESCAPE TUBE AND RADIATOR

- 1 0/005.082.6200 ENGINE COMPLETE
- 2 0/000.290.6002 EXHAUST PIPE
- 3 0/000.220.6200 EXHAUST GUARD
- 4 0/000.490.6001 SEAL
- 5 0/000.870.6000 SILENCER
- 6 0/000.350.5003 FILTER CAP
- 7 0/001.070.6000 FILTER ELEMENT
- 8 0/000.910.6000 AIR FILTER COMPLETE
- 9 0/000.360.6019 AIR HOSE
- 10 0/000.680.6000 CLIP
- 11 0/000.680.5001 CLIP
- 12 0/000.490.6000 EXHAUST GASKET
- 13 0/000.460.0800 SCREW
- 14 0/000.460.0610 (BOLSA 5 uds) TILLO. 6921-G8.8 JS500 M6X20
- 15 0/000.440.0130 (BOLSA 5 uds) ARANDELA LIS.6,5x17x1,5 TT-MS
- 16 0/000.680.0510 SPRING CLIP
- 17 0/000.290.0630 HOSE
- 18 0/000.680.0520 HOSE CLIP
- 19 0/000.360.5004 FILTER DRAIN HOSE
- 20 0/000.460.1180 (BOLSA 5 uds) TILLO.ESPECIAL PLAST. M6X17.5 RS1
- 21 0/000.460.1180 (BOLSA 5 uds) TILLO.ESPECIAL PLAST. M6X17.5 RS1
- 22 0/000.460.0600 (BOLSA 5 uds) TILLO 6921-G8.8 JS500 M6X16
- 23 0/000.360.0550 BUFFER
- 24 0/000.200.5100 RUBBER
- 25 0/000.980.5008 SEAT PLATE
- 26 0/000.220.5000 RADIATOR GRILLE
- 27 0/000.460.1189 (BOLSA 5 uds) TILLO ESPECIAL PLAST.M6X9
- 29 0/000.340.6000 (BOLSA 5 uds) TUERCA RAPIDA FIJACION ADORNA ES
- 31 0/000.030.6000 FUEL TANK
- 32 0/000.410.0500 TANK CAP
- 33 0/000.290.0570 ELIMINATED OF PRODUCTION. IT IS NOT POSSIBLE T
- 35 0/000.370.0500 FUEL TAP
- 36 0/005.430.6100 KICKSTART
- 37 0/000.460.0510 BOLT
- 38 0/000.460.0550 (BOLSA 5 uds) TILLO 6921-G8.8 JS500 M8x100
- 39 0/005.430.6000 FOOT LEVER SELECTOR
- 40 0/000.460.0311 BOLT
- 41 0/000.660.5003 PLATINA FIJ. CUBRE AMORTIGUADOR
- 47 0/000.460.0600 (BOLSA 5 uds) TILLO 6921-G8.8 JS500 M6X16
- 50 0/000.390.5310 ALUMINIUM RIEJU ENGINE DECAL



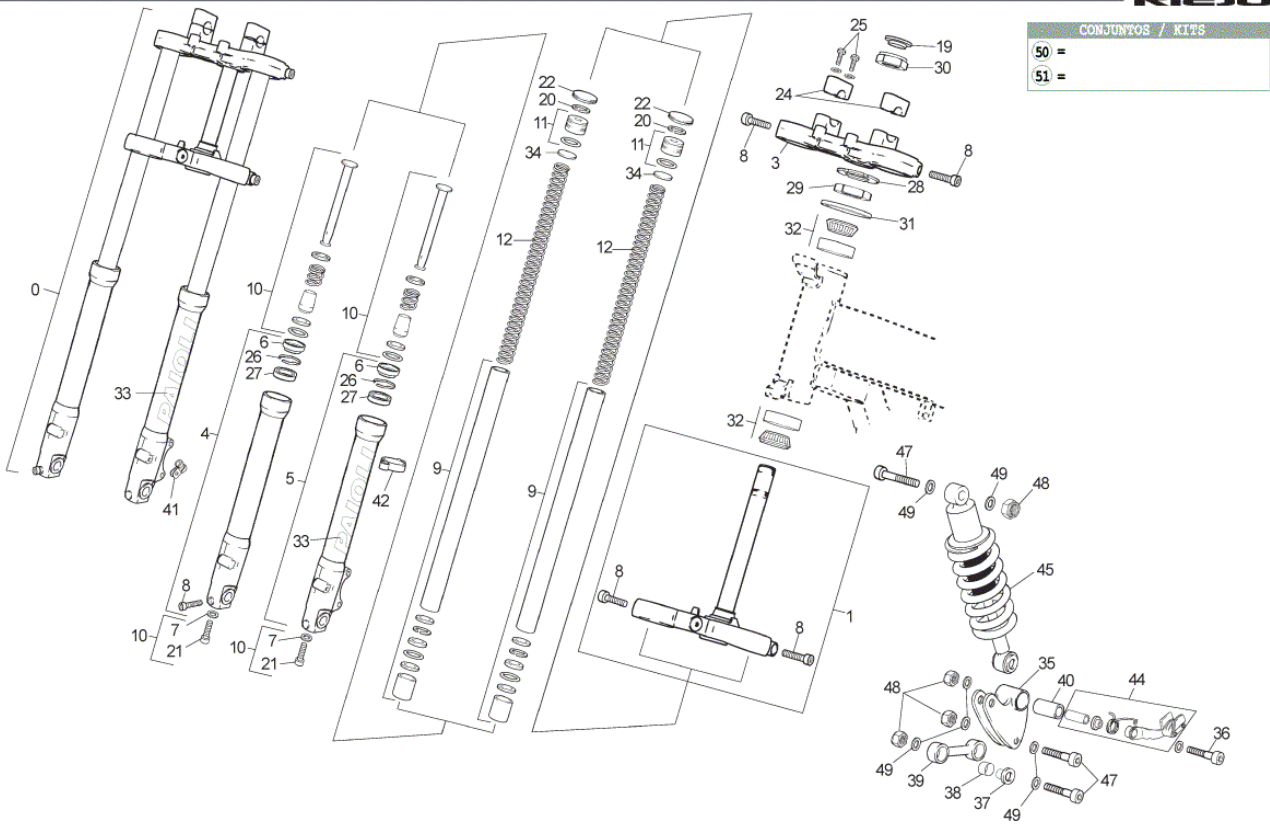
05 MRX\2k3\MANILLARES AND CONTROLS

- 1 0/000.530.5010 GRIPS
- 2 0/000.530.5000 TWIST GRIP ASSY
- 3 0/000.550.6000 THROTRE CABLE
- 4 0/000.640.5700 ADJUSTER
- 5 0/000.990.5001R / H MIRROR
- 5 0/000.990.8000R/H MIRROR
- 6 0/000.990.5000L / H MIRROR
- 6 0/000.990.8001L/H MIRROR
- 7 0/000.830.6000 CLUTCH LEVER ASSY
- 8 0/000.680.0070 ELIMINATED OF PRODUCTION. IT IS NOT POSSIBLE T
- 9 0/000.720.5000 SWITCH ASSY
- 10 0/000.550.6002 CLUTCH CABLE
- 12 0/000.170.0550 HANDLEBAR
- 13 0/000.640.7208 FRONT BRAKE STOP SWITCH FOR J.JUAN PUMP
- 13 0/000.720.0070 BRAKE SWITCH
- 14 0/000.640.0450 MASTER CYLINDER KIT
- 15 0/000.820.0300 MASTER CYLINDER
- 16 0/000.830.1000 FRONT BRAKE LEVER
- 17 0/000.830.0310 CLUTCH LEVER
- 19 0/000.290.5201 BRAKE HOSE
- 20 0/000.460.1300 (BOLSA 5 uds) TLLLO.RACORD TUBO F.D.BREMBO
- 21 0/000.440.1040 (BOLSA 5 uds) ARANDELA JUNTA FRENO DISCO
- 23 0/000.720.5001 SWITCH



06 MRX\2k3\WHEELS AND CONTROLS

- 0 0/000.120.6000 FRONT WHEEL COMPLETE
- 0 0/000.110.6000 REAR WHEEL COMPLETE
- 1 0/000.190.5100 FRONT SPINDLE
- 2 0/000.440.0123 (BOLSA 5 uds) ARANDELA PLANA DE 15
- 3 0/001.010.5000 ELIMINATED OF PRODUCTION. IT IS NOT POSSIBLE T
- 4 0/000.460.0610 (BOLSA 5 uds) TILLO. 6921-G8.8 JS500 M6X20
- 5 0/000.550.5000 SPEEDO CABLE
- 6 0/000.510.6000 TYRE 90/90 - 21 MRX 125
- 7 0/000.230.6000 WHEEL RIM
- 8 0/000.540.5000 SPOKE
- 9 0/000.070.0100 FRONT HUB
- 10 0/000.520.6000 INNER TUBE
- 11 0/000.220.0060 RIM TAPE
- 12 0/000.960.0050 BEARING
- 13 0/000.480.5006 SPACER
- 14 0/000.360.5410 SPACER
- 15 0/000.480.5000 SPACER
- 16 0/000.340.0300 (BOLSA 5 uds) TCA.FIJ.EJE CARRETE MTHON
- 17 0/000.930.0060 DISC PADS
- 18 0/000.860.0050 CALIPER
- 19 0/000.290.5201 BRAKE HOSE
- 20 0/000.460.1300 (BOLSA 5 uds) TILLO.RACORD TUBO F.D.BREMO
- 21 0/000.840.0090 CLEVIS PIN
- 22 0/000.840.0060 CLIP
- 23 0/000.130.0150 SHACKLE
- 24 0/000.340.0130 (BOLSA 5 uds) TUERCA ZINCADA M6 DIN 934.8
- 25 0/000.240.5000 ROD
- 26 0/000.820.0306 MASTER CYLINDER
- 27 0/000.680.0500 HOSE CLIP
- 28 0/000.290.5202 BRAKE HOSE
- 29 0/000.720.0073 BRAKE SWITCH
- 30 0/000.030.0170 REAR BRAKE RESERVOIR
- 31 0/000.290.0243 HOSE
- 32 0/000.440.0123 (BOLSA 5 uds) ARANDELA PLANA DE 15
- 34 0/001.090.0250 REAR DISC
- 35 0/001.090.0200 FRONT DISC
- 36 0/000.480.5007 SPACER
- 37 0/000.500.6000 SPROCKET
- 39 0/000.510.6100 TYRE 120 / 80 - 18 MRX 125
- 40 0/000.230.6100 WHEEL RIM
- 41 0/000.540.6000 SPOKE
- 42 0/000.540.6010 SPOKE
- 43 0/000.520.6100 INNER TUBE
- 44 0/000.220.0080 RIM TAPE
- 45 0/000.080.0100 REAR HUB
- 46 0/000.460.0600 (BOLSA 5 uds) TILLO 6921-G8.8 JS500 M6x16
- 47 0/000.440.1040 (BOLSA 5 uds) ARANDELA JUNTA FRENO DISCO
- 48 0/000.380.5001R / H CHAIN TENSIONER
- 49 0/000.380.5000L / H CHAIN TENSIONER
- 50 0/000.980.5007 PLATE
- 52 0/000.460.0670 (BOLSA 5 uds) TILLO 6921-G8.8 JS500 M8x25
- 53 0/000.640.0110 DISC PAD PIN
- 54 0/000.440.0180 WASHER
- 55 0/000.460.0673 BOLT
- 57 0/001.050.6000 CHAIN
- 59 0/000.190.5200 REAR SPINDLE
- 60 0/000.860.5000 REAR CALIPER
- 61 0/000.820.0701 FRONT CALIPER
- 62 0/000.640.0470 MASTER CYLINDER REPAIR KIT
- 63 0/000.640.0420 REAR CYLINDER REPAIR KIT
- 64 0/000.640.0415 FRONT CALIPER REPAIR KIT
- 66 0/000.930.3005 DISC PADS FRONT
- 70 0/000.980.0661 MOUNTING BRACKET
- 71 0/000.480.6100 SPACER



07 MRX\2k3\SUSPENSION

- 0 0/000.130.6000 FORKS COMPLETE
- 1 0/000.660.6003 LOWER YOKE
- 3 0/000.660.6002 UPPER YOKE
- 4 0/000.880.6000R / H FORK LEG ASSY
- 5 0/000.880.6001L / H FORK LEG ASSY
- 6 0/000.890.6001 SEAL
- 7 0/000.440.0180 WASHER
- 8 0/000.460.0350 BOLT
- 9 0/000.290.6100 FORK INNER TUBE
- 10 0/000.290.6101 VALVE ASSY
- 11 0/000.640.6004 BUFFER
- 12 0/000.470.6100 FORK SPRING
- 19 0/000.410.6001 PLUG
- 20 0/000.300.6000 CIRCLIP
- 22 0/000.410.6000 PLUG
- 24 0/000.350.6003 CLAMP
- 25 0/000.460.0352 BOLT
- 26 0/000.300.6001 CIRCLIP
- 27 0/000.890.6002 OIL SEAL
- 28 0/000.440.0050 (BOLSA 5 uds) ARAND.TUERCA TIJA Q35 X 25 X 1
- 29 0/000.340.6001 NUT
- 30 0/000.340.6002 NUT
- 31 0/000.200.7000 COVER
- 32 0/000.960.0200 STEERING BEARING
- 33 0/000.390.5201 DECAL
- 34 0/000.480.6200 SPACE SPRING
- 35 0/000.980.0630 GUIDE
- 36 0/000.460.0407 BOLT
- 39 0/000.770.0103 COMPLETE LINK 2007
- 40 0/000.360.0370 BUSH
- 41 0/000.480.1550 SLEEVE
- 41 0/000.680.0300 CLIP
- 42 0/000.680.6001 SPACER
- 43 0/000.470.5004 SPRING
- 44 0/000.380.6000 TENSIONER ASSY
- 44 0/000.380.5002 TENSIONER ARM
- 45 0/000.180.6000 SHOCK
- 46 0/000.180.0702 SHOCK
- 47 0/000.460.0402 (BOLSA 5 uds) TLO DIN 912 JS500 M10x50
- 48 0/000.340.0182 (BOLSA 5 uds) TUERCA M10 AUTORL/DIN926/JS500
- 49 0/000.440.0110 (BOLSA 5 uds) ARANDELA BIS 10x24x1.5
- 50 0/000.640.5500 ELIMINATED OF PRODUCTION. IT IS NOT POSSIBLE T
- 50 0/000.640.6000R / H FORK LEG COMPLETE
- 51 0/000.640.5510 ELIMINATED OF PRODUCTION. IT IS NOT POSSIBLE T
- 51 0/000.640.6001L / H FORK LEG COMPLETE