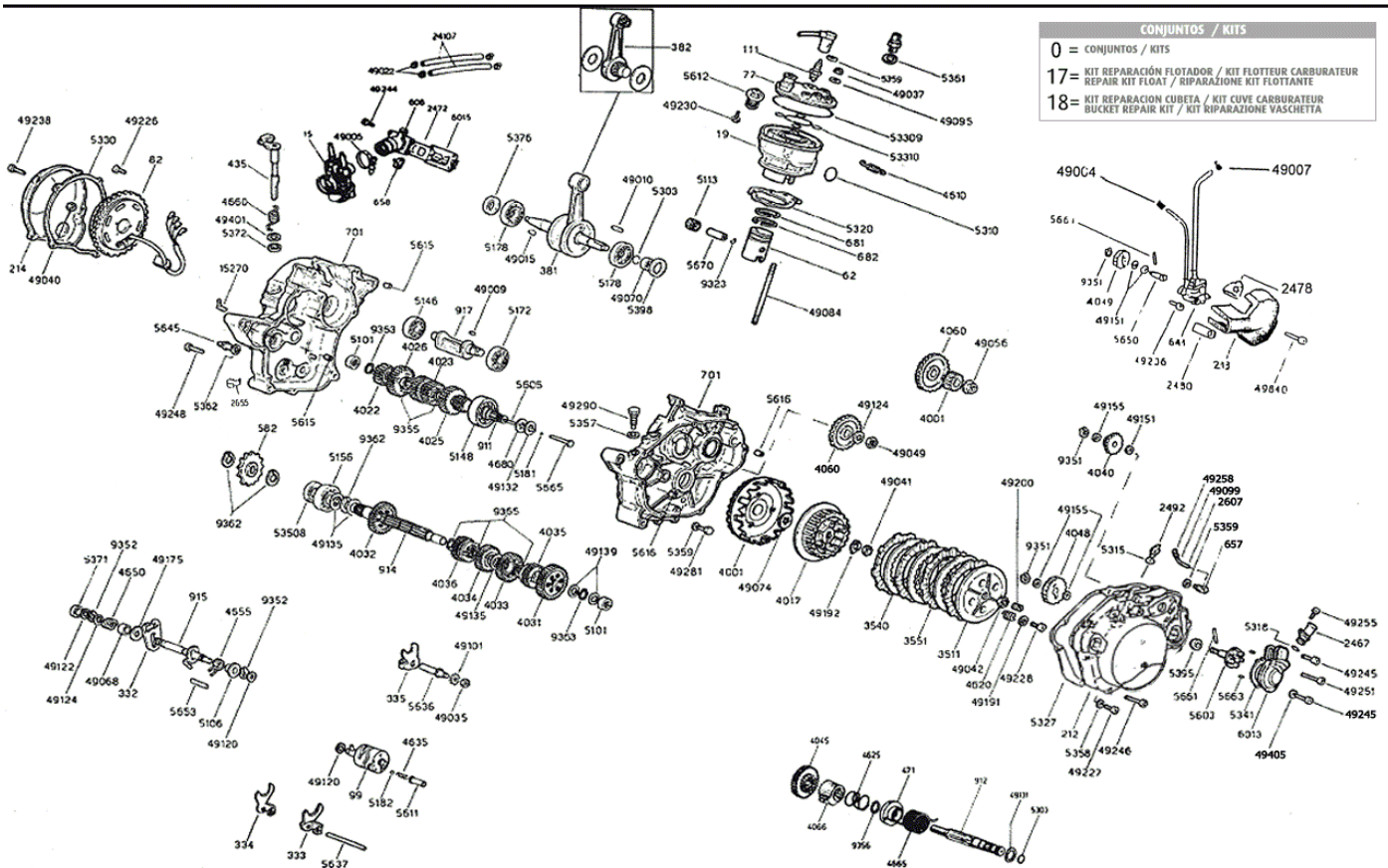
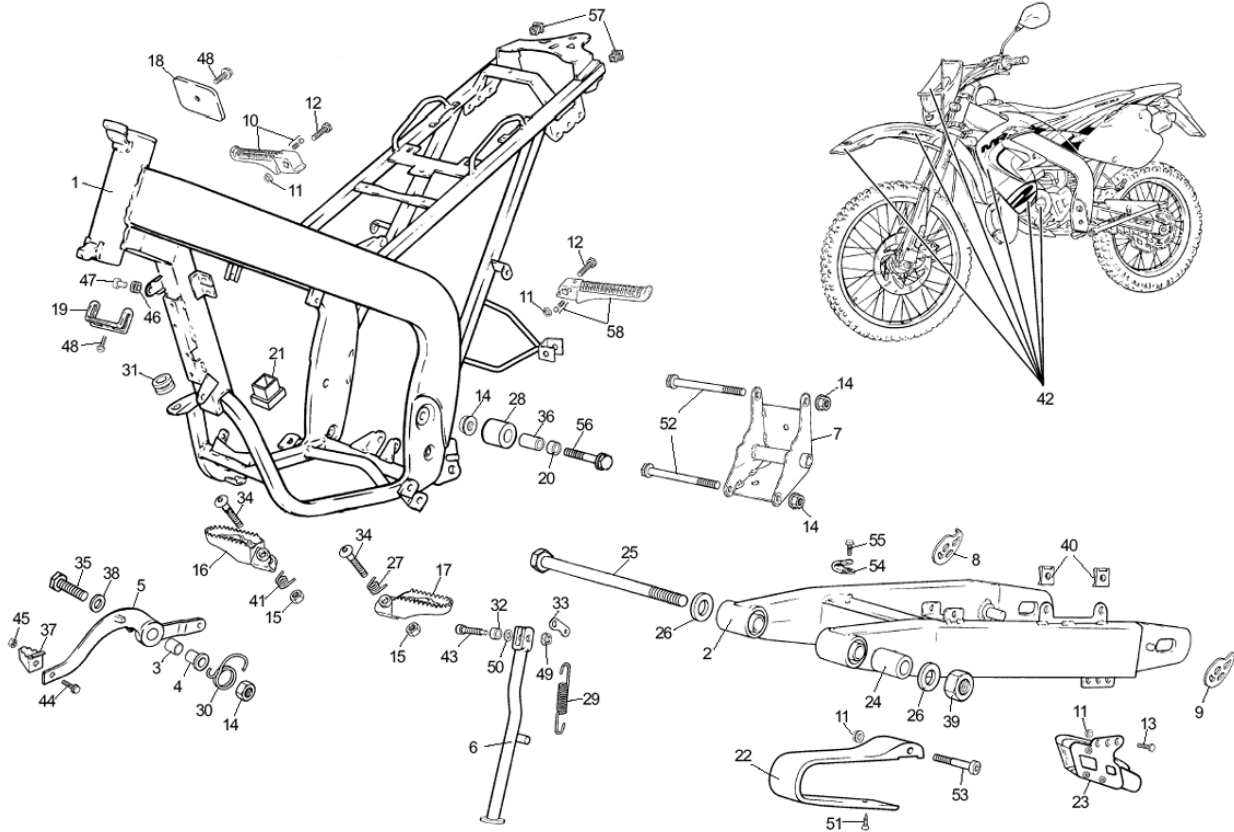


# AM6 K/S EURO 0384



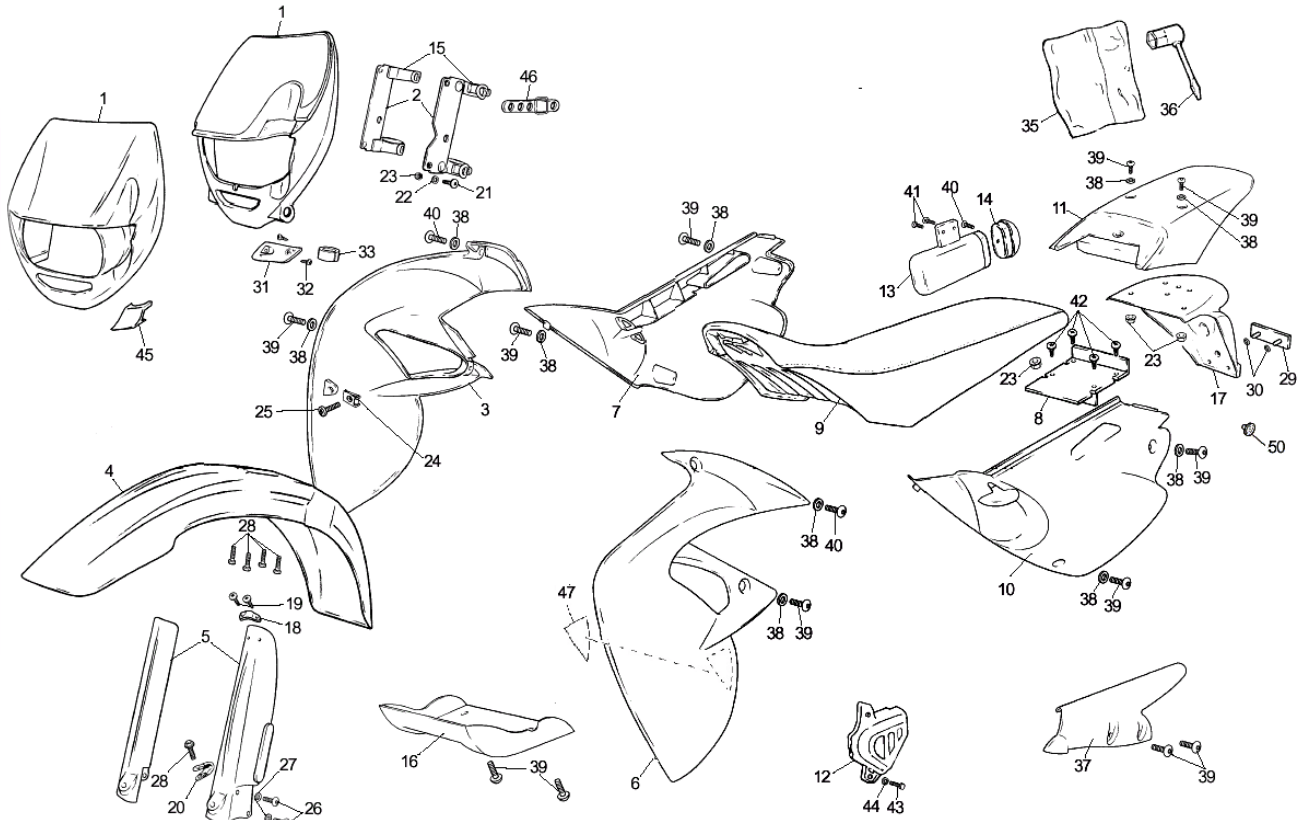
## 00 MRX\2k1\ENGINE#d

99	0/005.090.0330	TREE	49007	0/005.490.0269	BAND FOR ENTERED TUBE OILS TO THE BOMB
332	0/005.330.0217	FORK SENDS SELECTOR	49009	0/005.490.1120	LOCKNUT 4 x 4 x 8
333	0/005.330.0060	FORK CONTROL CHANGE 1a AND 3a	49010	0/005.490.1180	LOCKNUT 4 x 4 x 20 FOR SPROCKET
334	0/005.330.0070	FORK CONTROL CHANGE 2a AND 3a	49015	0/005.490.1248	LOCKNUT 3 x 3,7 x 10 FLYWHEEL
335	0/005.330.0080	FORK CONTROL CHANGE 5a AND 6a	49035	0/005.490.3059	METRIC NUT 7 x 5,5
435	0/005.430.0320	WEIGH CLUTCH COMPLETE	49037	0/005.490.3570	(BOLSA 5 uds) TUERCA M1X1 AUTOLUBRICANTE AM-5
657	0/005.650.1421	BRIDGE REGISTERS CABLE OIL PUMP PRICOL	49040	0/005.490.3490	(BOLSA 5 uds) TUERCA M10X1,25 FIJ.VOLANTE
657	0/005.650.1420	BRIDGE REGISTERS CABLE OIL PUMP	49041	0/005.490.3370	METRIC NUT 12 x 1,25
658	0/005.650.1410	BRIDGE CABLE CLUTCH	49042	0/005.490.3240	METRIC NUT 14 x 1,25
2467	0/005.240.2050	ENTERED MUFF DILUTES ON PUMP	49049	0/005.490.3420	METRIC NUT 12 x 1
2472	0/005.240.2117	INSERT VALVE OF SHEETS	49056	0/005.490.3470	(BOLSA 5 uds) TUERCA M-12x1.25 AM-5
2492	0/005.247.0547	PLUG FEEDING OIL	49068	0/005.490.4127	SPACER O12,4 x 14,4 x 11
3551	0/005.350.3580	DISK LINED CLUTCH	49074	0/005.490.4390	SPACER DRUM CLUTCH O13 x 30 x 4
4040	0/005.400.4787	INTERMEDIATE DOUBLE PINENUT Z = 13/24	49084	0/005.490.5140	METRIC SCREW 7 x 115
4049	0/005.400.5757	PINENUT PUMP OILS	49095	0/005.490.6099	(BOLSA 5 uds) ARANDELA VISELADA
4610	0/005.460.1070	SPRING EXHAUST	49101	0/005.490.6129	WASHER O7 JAGGED INTERIOR
4635	0/005.460.3510	SPRING RETAINS MARCH	49120	0/005.490.6406	(BOLSA 5 uds) ARANDEL 10 x 16 x 0,6 AM5
4650	0/005.460.1967	SPRING RETAINS FORK SELECTOR	49122	0/005.490.6426	WASHER STEELS O12 x 17 x 0,6
4655	0/005.460.2027	SPRING RETAINS LEVER SELECTOR	49124	0/005.490.6440	WASHER STEELS O12,3 x 22
4660	0/005.460.2200	SPRING RECOVERY WEIGHS CLUTCH	49132	0/005.490.6520	(BOLSA 5 uds) ARANDELA ACERO 17.2x30
4680	0/005.460.3010	WASHER-SPRING	49135	0/005.490.6556	WASHER STEELS O20,45 x 28 THICKNESS 0,6
5101	0/005.510.1029	CAGE OF ROLLERS DB 14-12	49135	0/005.490.6554	(BOLSA 5 uds) ARANDELA 20.45*28
5106	0/005.510.1297	CAP FOR SELECTOR SPRING	49139	0/005.491.6046	WASHER STEELS O14,5 x 27 THICKNESS 0,6
5146	0/005.510.2039	BEARING O15 x 25 x 11	49139	0/005.491.6044	(BOLSA 5 uds) ARANDELA 14,5X27 ESP O,4 EVOL
5148	0/005.510.2059	BEARING O17 x 40 x 12	49139	0/005.491.6044	WASHER STEELS O14,5 x 27 THICKNESS 0,4
5156	0/005.510.2159	BEARING O20 x 47 x 14	49151	0/005.491.6096	WASHER STEELS O8,4 x 16 x 0,6
5172	0/005.510.2299	BEARING O17 x 40 x 12	49155	0/005.491.6130	WASHER STEELS O8,2 x 15 x 1
5178	0/005.510.2652	BEARING O17 x 47 x 14	49175	0/005.490.6800	WASHER O12,75 x 28 x 1,5
5181	0/005.510.4039	BALL 3/16"	49191	0/005.490.6890	WASHER O5 x 15 x 2
5182	0/005.510.4079	BALL O9 MM	49192	0/005.490.7000	(BOLSA 5 uds) ARANDELA 5x15x2
5308	0/005.530.1149	RING O19 x 1,2	49200	0/005.490.8010	SCREW CLUTCH M14 x 1,25 x 18
5318	0/005.530.1329	RING OF RETENTION O11,8 x 2,4	49226	0/005.490.9389	(BOLSA 5 uds) TILLO.METALICO 4X10 EVOL
5320	0/005.530.8020	(BOLSA 5 uds) JUNTA CILINDRO AM-5	49227	0/005.490.8420	METRIC SCREW 6 x 6
5327	0/005.530.3640	(BOLSA 5 uds) JUNTA TAPA EMBRAGUE AM-5	49228	0/005.491.9049	(BOLSA 5 uds) TORNILLO 5x20
5341	0/005.530.4000	(BOLSA 5 uds) JUNTA CUERPO BOMBA AGUA AM-5	49230	0/005.490.8460	METRIC SCREW 4 x 10
5357	0/005.530.4710	SCREW GASKET	49236	0/005.490.8529	METRIC SCREW 5 x 16
5358	0/005.530.4720	SCREW 6 x 12 OIL LEVEL GASKET	49238	0/000.460.0290	METRIC SCREW 6 x 20
5359	0/005.530.4730	(BOLSA 5 uds) JUNTA FIBRA 8*14	49244	0/005.490.8619	METRIC SCREW 6 x 20
5361	0/005.530.4750	SCREW WATER EXIT 14,1 x 22 x 1 GASKET	49245	0/000.460.0311	METRIC SCREW 6 x 25
5362	0/005.530.4790	NEUTRAL INDICATOR GASKET	49246	0/000.460.0320	METRIC SCREW 6 x 30
5371	0/005.530.5019	(BOLSA 5 uds) RETEN DE 12*22*7 mm.	49248	0/005.490.8659	METRIC SCREW 6 x 40
5372	0/005.530.5029	(BOLSA 5 uds) RETEN 15*24*5 mm.	49251	0/005.490.8689	METRIC SCREW 6 x 55
5376	0/005.530.5069	(BOLSA 5 uds) RETEN DE 17*35*8	49281	0/005.490.9119	METRIC SCREW 8 x 10
5395	0/005.530.5339	DETENT 10 x 18 x 8	49290	0/005.490.9220	METRIC SCREW 12 x 1,25
5395	0/005.530.5339	(BOLSA 5 uds) RETEN 10*18*8 RST/80	49386	0/005.491.7621	WASHER
5398	0/005.530.5379	(BOLSA 5 uds) RETEN 24X35X7(VITON)LADO EMBR.	49840	0/005.497.0669	METRIC SCREW 5 x 35
5603	0/005.560.0080	PASTNER BOMB DILUTES	53508	0/005.530.5499	(BOLSA 5 uds) RETEN 20*35*7 DIN 3760
5605	0/005.560.1460	BAR PUSHER CLUTCH O5 x 116,6			
5611	0/005.560.2070	PIN			
5612	0/006.050.0077	THERMOSTAT "BEHR THOMSON No 1085"			
5615	0/005.560.2580	CRANKCASE GUIDE O11,5 x 12			
5616	0/005.560.2610	CRANKCASE GUIDE O8,51 x 7,6			
5636	0/005.560.9010	SHAFT 7,8 x 72			
5637	0/005.560.9020	SHAFT 7,8 x 91,5			
5645	0/005.560.3570	SWITCH DEAD POINT			
5650	0/005.560.9777	SHAFT OIL PUMP			
5653	0/005.560.9787	SHAFT			
5661	0/005.560.4007	ROLLER O3 x 21,8 FOR PINENUD BOMB			
5663	0/005.560.4017	ROLLER O4 x 10 BODY BOMB			
5665	0/005.560.5510	PUSHER CLUTCH O13 IN HEAD			
5670	0/005.560.6100	PISTON PIN			
6013	0/005.600.1290	BODY BOMB DILUTES (FRAM.GT 832222)			
6013	0/005.600.1280	BODY BOMB DILUTES (FRAM.LT 832221)			
15270	0/005.150.6489	JOINT			
15320	0/005.150.7690	BENT TUBE 40 GR. WITH SCREW AND NUT			
49004	0/005.490.0479	BAND FOR TUBE OILS			



## 01 MRX\2k1\CHASSIS

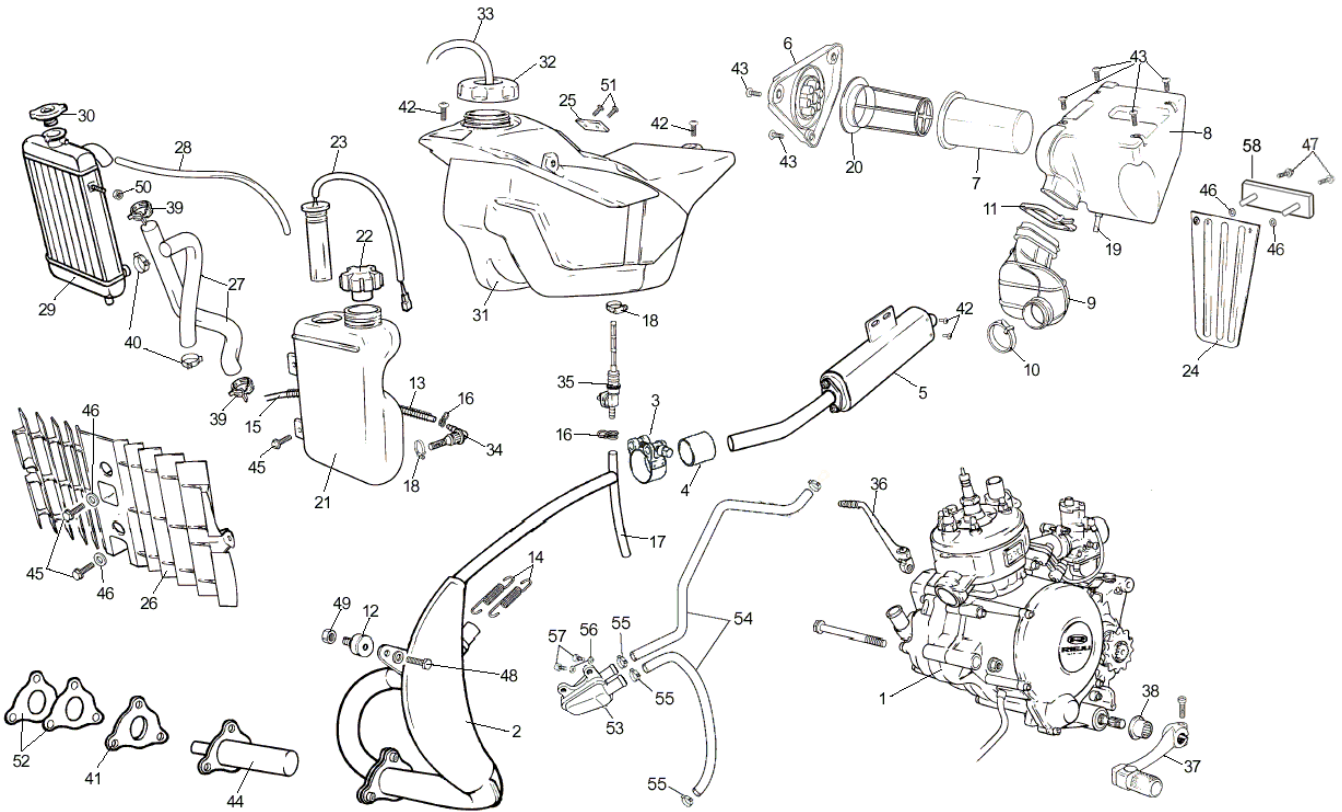
- 1 0/000.010.5000 FRAME MRX GREY
- 2 0/000.020.5000 SWINGING ARM MRX GREY
- 3 0/000.260.5000 BUSH
- 4 0/000.260.5001 SPACER
- 5 0/000.730.0710 BRAKE PEDAL (ALU)
- 6 0/000.210.5000 STAND CHROME
- 7 0/000.980.5001 ENGINE SUPPORT
- 8 0/000.380.5000R/H CHAIN ADJUSTER
- 9 0/000.380.5001L/H CHAIN ADJUSTER
- 10 0/000.740.0211 RIGHT PASSENGER FOOTREST 2009
- 10 0/000.740.0330 PASSENGER FOOTREST (IRON)
- 11 0/000.340.0170 (BOLSA 5 uds) TUERCA M6 AUTOBL/DIN6926/J5500
- 12 0/000.460.0622 BOLT M6 X 35
- 13 0/000.460.0600 (BOLSA 5 uds) TILLO 6921-68.8 JS500 M6x16
- 14 0/000.340.0180 (BOLSA 5 uds) TUERCA M8 AUTOBL/DIN6926/J5500
- 15 0/000.340.0182 (BOLSA 5 uds) TUERCA M10 AUTOBL/DIN6926/J5500
- 16 0/000.740.0300R/H DRIVERS FOOTREST
- 17 0/000.740.0310L/H DRIVERS FOOTREST
- 18 0/000.630.5000 CONNECTOR PLATE
- 19 0/000.980.5005 SUPPORT CABLES
- 20 0/000.480.0731 SPACER
- 21 0/000.410.0132 PLUG RUBBER
- 22 0/000.360.5001 CHAIN PROTECTOR
- 23 0/000.710.0310 CHAIN GUIDE
- 24 0/000.360.0370 BUSH
- 25 0/000.190.8001 SWINGING ARM SPINDLE
- 26 0/000.440.0123 (BOLSA 5 uds) ARANDELA PLANA DE 15
- 27 0/000.470.5002 FOOTREST SPRING L/H
- 28 0/000.360.0792 ROLLER
- 29 0/000.470.5000 STAND SPRING
- 30 0/000.470.5003 FOOT PEDAL SPRING
- 31 0/000.360.0400 RADIATOR RUBBER MOUNT
- 32 0/000.480.5001 SPACER STAND
- 33 0/000.980.5006 SPRING ARM
- 34 0/000.460.5100 BOLT M10 X 50
- 35 0/000.460.0673 PEDAL BOLT
- 36 0/000.480.0645 BUSH
- 37 0/000.660.5000 BRAKE PEDAL REST
- 38 0/000.440.0160 (BOLSA 5 uds) ARANDELA LIS.8,5x17x1.25 GT-TT
- 39 0/000.340.5000 NUT M14
- 40 0/000.340.5101 (BOLSA 5 uds) TUERCA RAPIDA M6 DACROMET 500GR
- 41 0/000.470.5001 FOOTREST SPRING R/H
- 42 0/000.390.5001 DECAL SET MRX RED
- 42 0/000.390.5002 DECAL SET MRX YELLOW
- 42 0/000.390.5000 DECAL SET MRX BLUE
- 42 0/000.390.5010 DECAL SET MRX CASTROL
- 43 0/000.460.3015 (BOLSA 5 uds) TILLO FIJACION CABALLETE MOD/MRX
- 44 0/000.460.0811 BOLT M5 X 20
- 45 0/000.340.0172 NUT M5
- 46 0/000.360.0490 UPPER RADIATOR RUBBER MOUNT
- 47 0/000.480.0710 SPACER
- 48 0/000.460.0610 (BOLSA 5 uds) TILLO. 6921-68.8 JS500 M6x20
- 49 0/000.340.0182 (BOLSA 5 uds) TUERCA M10 AUTOBL/DIN6926/J5500
- 50 0/000.440.0110 (BOLSA 5 uds) ARANDELA BIS 10x24x1.5
- 51 0/000.460.0745 (BOLSA 5 uds) TILLO.DIN-7982 5.5 X 19
- 52 0/000.460.0550 (BOLSA 5 uds) TILLO 6921-68.8 JS500 M6x100
- 53 0/000.460.0322 SCREW
- 54 0/000.680.0300 BRAKE HOSE CLIP
- 55 0/000.460.0745 (BOLSA 5 uds) TILLO.DIN-7982 5.5 X 19
- 56 0/000.460.0491 BOLT M8 X 60
- 57 0/000.410.0131 PLUG
- 58 0/000.740.0330 PASSENGER FOOTREST (IRON)
- 58 0/000.740.0221 LEFT PASSENGER FOOTREST 2009



02 MRX\2k1\PLASTICS

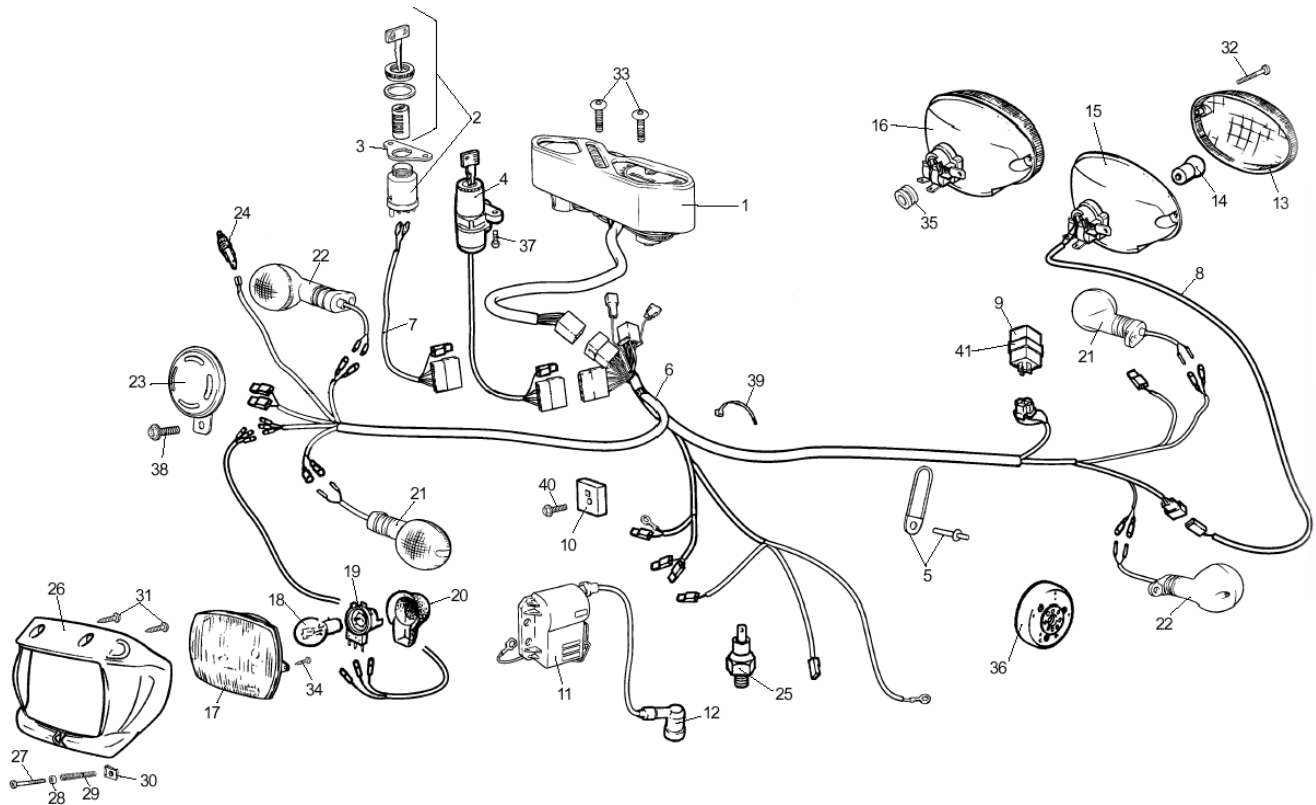
- 1 0/000.620.5113 COWLING MRX YELLOW 2003
- 1 0/000.620.5110 COWLING MRX BLUE 2003
- 1 0/000.620.5112 COWLING MRX RED 2003
- 2 0/000.980.0511 HEADLAMP SUPPORT
- 3 0/000.570.5008 R/H RADIATOR PANEL RED
- 3 0/000.570.5012 R/H RADIATOR PANEL YELLOW
- 3 0/000.570.5000 R/H RADIATOR PANEL BLUE
- 4 0/000.050.5007 FRONT MUDGUARD RED
- 4 0/000.050.5004 FRONT MUDGUARD YELLOW
- 4 0/000.050.5000 FRONT MUDGUARD BLUE
- 5 0/000.220.5001 NOT AVAILABLE
- 5 0/000.220.5004 COMPLETE FRONT PROTECTOR SEBAC FROM NF.07226
- 6 0/000.570.5009 L/H RADIATOR PANEL RED
- 6 0/000.570.5013 L/H RADIATOR PANEL YELLOW
- 6 0/000.570.5001 L/H RADIATOR PANEL BLUE
- 7 0/000.570.5002 R/H REAR PANEL BLUE
- 7 0/000.570.5014 R/H REAR PANEL YELLOW
- 7 0/000.570.5010 R/H REAR PANEL RED
- 8 0/000.360.5002 PROTECTOR
- 9 0/000.040.5002 SEAT RED
- 9 0/000.040.5003 SEAT YELLOW
- 9 0/000.040.5001 SEAT BLUE
- 10 0/000.570.5003 L/H REAR PANEL BLUE
- 10 0/000.570.5011 L/H REAR PANEL RED
- 10 0/000.570.5015 L/H REAR PANEL YELLOW
- 11 0/000.060.5000 REAR MUDGUARD BLUE
- 11 0/000.060.5002 REAR MUDGUARD RED
- 11 0/000.060.5003 REAR MUDGUARD YELLOW
- 12 0/000.220.0510 SPROCKET COVER
- 13 0/000.910.5001 TOOL BOX
- 14 0/000.910.5001 TOOL BOX LID
- 15 0/000.360.0173 RUBBER STRAP
- 16 0/000.220.5002 SUMP PROTECTOR
- 17 0/000.060.5100 REAR LAMP SUPPORT
- 18 0/000.680.5000 FORK PROTECTOR CLIP
- 19 0/000.460.0756 SCREW
- 20 0/000.680.0300 BRACKET
- 21 0/000.460.1183 SCREW
- 22 0/000.440.0130 (BOLSA 5 uds) ARANDELA LIS.6,5x17x1,5 TT-MS
- 23 0/000.340.0170 (BOLSA 5 uds) TUERCA M6 AUTOPR./DIN6926/JS500
- 24 0/000.340.5100 (BOLSA 5 uds) TUERCA RAPIDA M5
- 25 0/000.460.1170 (BOLSA 5 uds) TILLO DE PLASTICO M6X16 RS1
- 26 0/000.460.5050 (BOLSA 5 uds) TORNILLO ISO 7380 M6 X 16
- 27 0/000.440.0131 WASHER 6,5 X 12 X 1,5
- 28 0/000.460.0600 (BOLSA 5 uds) TILLO 6921-G8.8 JS500 M6X16
- 29 0/000.630.0550 REFLECTOR
- 30 0/000.440.0400 WASHER
- 31 0/000.350.0503 ELIMINATED OF PRODUCTION. IT IS NOT POSSIBLE T
- 31 0/000.350.0502 ELIMINATED OF PRODUCTION. IT IS NOT POSSIBLE T
- 31 0/000.350.0501 ELIMINATED OF PRODUCTION. IT IS NOT POSSIBLE T
- 32 0/000.460.1165 (BOLSA 5 uds) TILLO.ROSCA T.P.Q 3.5X12
- 33 0/000.300.0550 ELIMINATED OF PRODUCTION. IT IS NOT POSSIBLE T
- 35 0/000.760.0020 TOOL POUCH
- 36 0/000.970.5050 PLUG SPANNER
- 37 0/000.200.5000 CHAIN GUARD
- 38 0/000.440.5000 (BOLSA 5 uds) ARANDELA DE PLASTICO M6 6.2 X 14
- 39 0/000.460.1180 (BOLSA 5 uds) TILLO.ESPECIAL PLAST. M6X17.5 RS1
- 40 0/000.460.1189 (BOLSA 5 uds) TILLO ESPECIAL PLAST.M6X9
- 41 0/000.460.1190 (BOLSA 5 uds) TILLO.ESPECIAL PLAST.ESP/7380 M6X
- 42 0/000.460.1168 SCREW 5 X 12
- 43 0/000.460.0285 SCREW M5 X 15
- 44 0/000.440.0131 WASHER 6,5 X 12 X 1,5
- 45 0/000.350.5502 ELIMINATED OF PRODUCTION. IT IS NOT POSSIBLE T
- 45 0/000.350.5503 ELIMINATED OF PRODUCTION. IT IS NOT POSSIBLE T
- 45 0/000.350.5500 ELIMINATED OF PRODUCTION. IT IS NOT POSSIBLE T
- 46 0/000.360.0172 RUBBER SUPPORT 2002 HEAD LAMP

- 47 0/000.220.5010 PROTECTION TERMIC
- 50 0/000.630.0530 REFLECTOR



03 MRX\2k1\DEPOSIT, ESCAPE TUBE AND RADIATOR

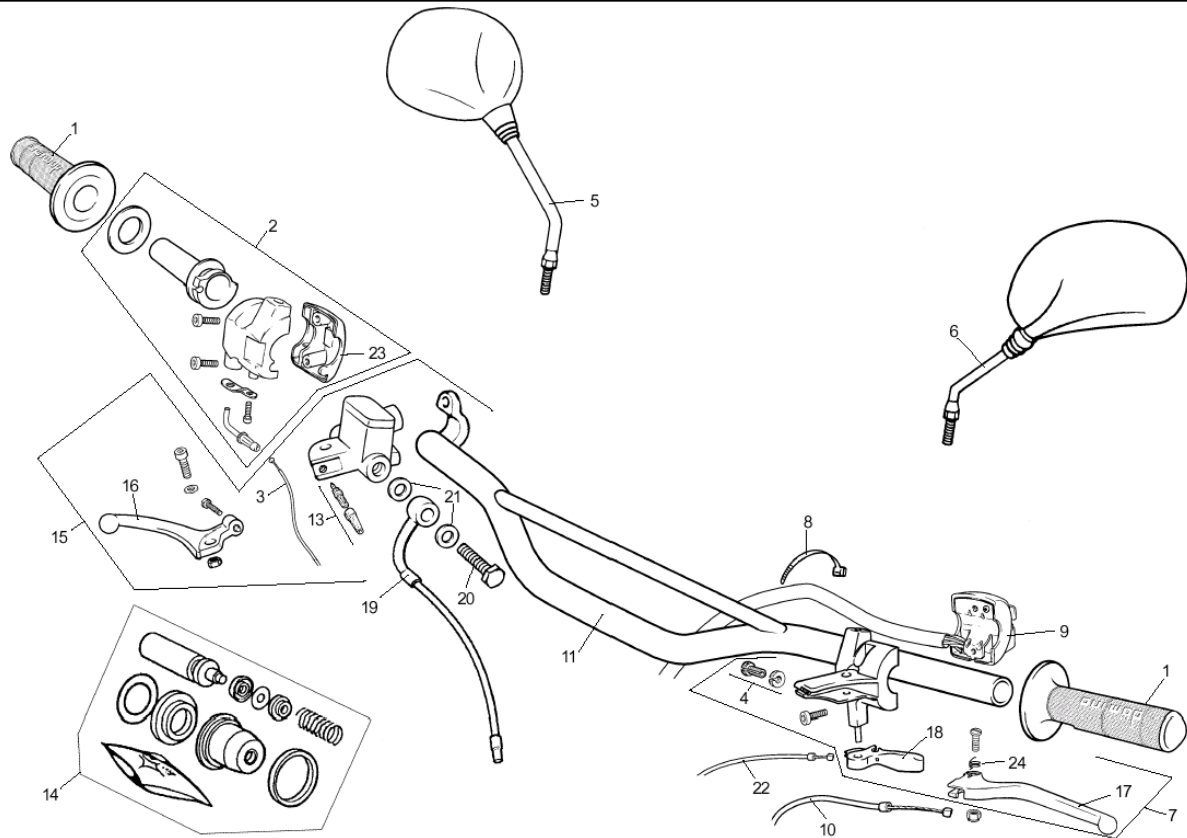
- 1 0/005.082.0332 ELIMINATED OF PRODUCTION. IT IS NOT POSSIBLE T
- 1 0/005.082.0316 ENGINE (FRAM.GT 8175)
- 2 0/000.290.5010 COMPLETE EXHAUST PIPE (FRAM.GT 8175)
- 2 0/000.290.5000 COMPLETE EXHAUST PIPE (FRAM.LT 8174)
- 3 0/000.680.0501 CLIP
- 4 0/000.260.0240 EXHAUST CONNECTOR
- 5 0/000.870.5001 SILENCER
- 6 0/000.350.5000 AIR FILTER COVER
- 7 0/001.070.5000 FILTER ELEMENT
- 8 0/000.910.5100 FILTER CASE BODY (FRAM.LT 8174)
- 9 0/000.360.5000 AIR FILTER CONNECTOR
- 10 0/000.680.0060 CLIP
- 11 0/000.680.5001 CLIP
- 12 0/000.360.0460 EXHAUST MOUNT
- 13 0/000.470.6010 PROTECTOR
- 14 0/005.460.1070 EXHAUST SPRING
- 15 0/000.290.0420 OIL PIPE
- 16 0/000.680.0510 HOSE CLIP
- 17 0/000.290.0420 FUEL PIPE
- 18 0/000.680.0520 CLIP
- 19 0/000.360.5004 FILTER DRAIN PIPE
- 20 0/000.980.5002 FILTER ELEMENT SUPPORT
- 21 0/000.030.5002 OIL TANK
- 22 0/000.410.0600 OIL TANK CAP
- 23 0/000.410.5000 OIL LEVEL SENSOR
- 24 0/000.200.5100 PLATE
- 25 0/000.980.5008 PLATE
- 26 0/000.220.5000 RADIATOR COVER
- 27 0/000.640.5000 HOSE SET
- 28 0/000.290.0630 RADIATOR VENT PIPE
- 29 0/000.580.5000 KTM RADIATOR
- 29 0/000.580.5000 RIEJU RADIATOR
- 30 0/000.410.5100 RIEJU RADIATOR CAP
- 30 0/000.410.5101 KTM RADIATOR CAP
- 31 0/000.030.5001 FUEL TANK
- 32 0/000.410.0500 FUEL TANK CAP
- 32 0/000.410.0502 FUEL TANK CAP WITH KEY (OPTIONAL)
- 33 0/000.290.0570 ELIMINATED OF PRODUCTION. IT IS NOT POSSIBLE T
- 34 0/000.370.0440 OIL PIPE UNION
- 35 0/000.370.0500 FUEL TAP
- 36 0/005.430.5002 KICK START LEVER
- 37 0/005.430.0030 GEAR PEDAL
- 38 0/000.220.1000 PROTECTOR
- 39 0/000.680.0550 HOSE CLIP
- 40 0/000.680.0535 HOSE CLIP
- 41 0/000.660.2020 EXHAUST PLATE
- 42 0/000.460.1180 (BOLSA 5 uds) TILLO.ESPECIAL PLAST. M6X17,5 RS1
- 43 0/000.460.1190 (BOLSA 5 uds) TILLO.ESPECIAL PLAST.ESP/7380 M6X
- 44 0/000.820.5000 CATALYST
- 45 0/000.460.0610 (BOLSA 5 uds) TILLO. 6921-G8.8 JS500 M6x20
- 46 0/000.440.0130 (BOLSA 5 uds) ARANDELA LIS.6,5x17x1,5 TT-KS
- 47 0/000.460.0600 (BOLSA 5 uds) TILLO 6921-G8.8 JS500 M6x16
- 48 0/000.460.0480 SCREW M8 X 50
- 49 0/000.340.0180 (BOLSA 5 uds) TUERCA M8 AUTOBL/DIN6926/JS500
- 50 0/000.340.0170 (BOLSA 5 uds) TUERCA M6 AUTOBL/DIN6926/JS500
- 51 0/000.460.0600 SCREW M4 X 8
- 52 0/000.490.2000 (BOLSA 5 uds) JUNTA ESCAPE ESP.1.2 MOD/EUROPE
- 53 0/000.640.0001 VALVE AIS OUT PARALLEL
- 54 0/000.640.5001 VALVE PIPE SET
- 55 0/000.680.0534 LOCK. CLAMP
- 56 0/000.440.0131 LOCK. WASHER
- 57 0/000.460.0300 (BOLSA 5 uds) TILLO DIN 912 JS500 M6x16
- 58 0/000.660.5003 PLATINA FIJ. CUBRE AMORTIGUADOR



04 MRX\2k1\SYSTEM ELECTRICS AND LIGHTS

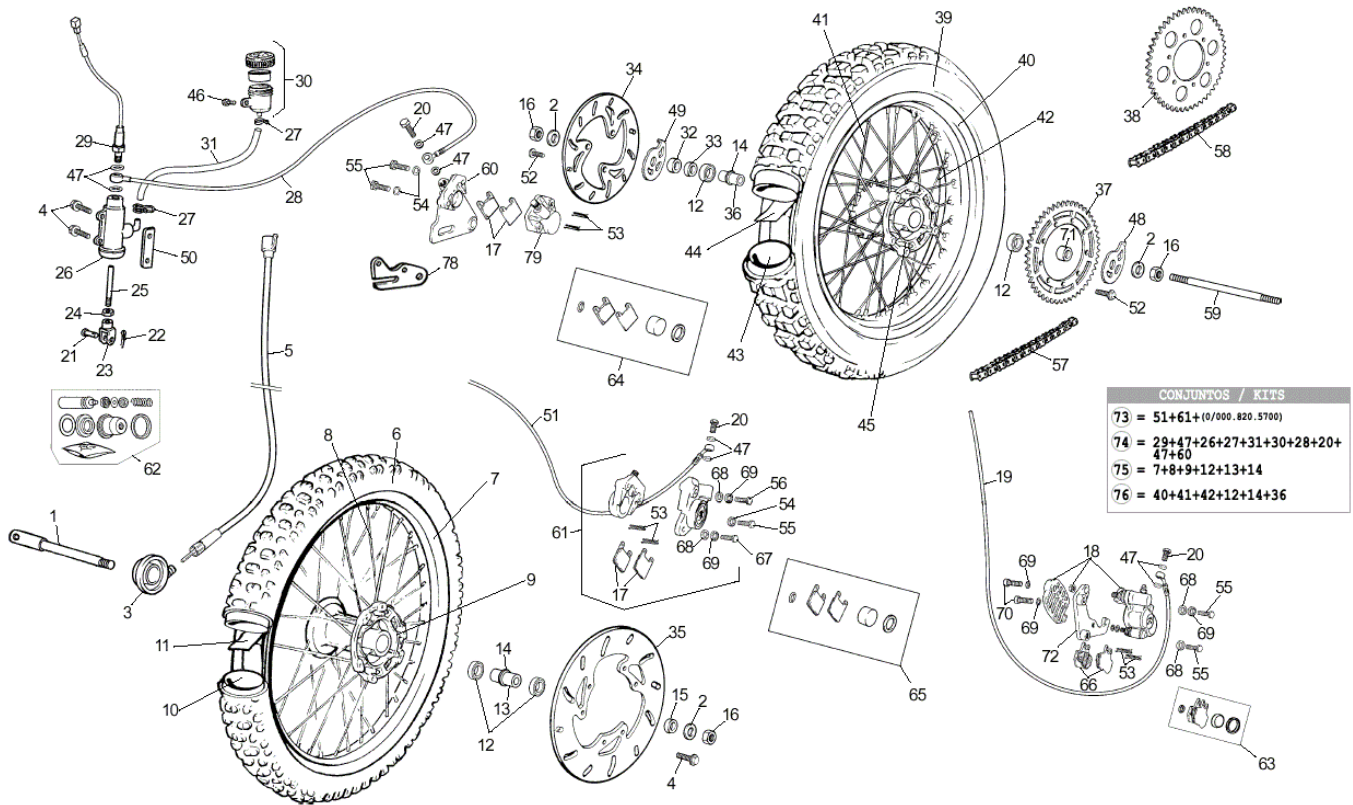
- 1 0/001.000.2071 INSTRUMENT CONSOL ASSY
- 2 0/001.060.0070 INGNITION SWITCH
- 3 0/000.980.5003 INGNITION SWITCH BRACKET
- 4 0/001.060.0041 IGNITION KEY AND STEERING LOCK
- 5 0/000.980.5004 CABLE SUPPORT
- 6 0/000.160.5000 WIRING HARNESS
- 7 0/000.160.5002 LOOM
- 8 0/000.160.5003 LOOM
- 9 0/001.200.5031 WINKER RELAY
- 10 0/005.070.4725 REGULATOR
- 11 0/005.070.2005 H. T. COIL
- 12 0/005.110.2022 PLUG CAP
- 13 0/000.630.5001 REAR LIGHT LENS
- 14 0/000.850.0220 BULB
- 15 0/000.980.5010 TAIL LIGHT BASE
- 16 0/000.150.2000 TAIL LIGHT COMP.
- 17 0/000.600.0250 HEADLIGHT
- 18 0/000.850.0055 BULB
- 19 0/000.620.0500 BULB HOLDER
- 20 0/000.360.0760 BULB COVER
- 21 0/000.150.2200 INDICATOR
- 22 0/000.150.2100 INDICATOR
- 23 0/000.420.5000 HORN
- 24 0/000.640.7208 FRONT BRAKE STOP SWITCH FOR J. JUAN PUMP
- 24 0/000.720.0070 STOP SWITCH
- 25 0/000.460.1150 TORNILLO TEMP 112o
- 25 0/000.460.1151 TORNILLO TAPON SONDA TEMP.
- 26 0/000.620.1510 HEADLAMP SUPPORT
- 27 0/000.460.0220 HEADLAMP ADJUSTER SCREW
- 28 0/000.440.0230 WASHER
- 29 0/000.470.0700 SPRING
- 30 0/000.770.0700 NUT
- 31 0/000.460.1165 (BOLSA 5 uds) TLLO.ROSCA T.P.Q 3.5X12
- 32 0/000.460.5200 (BOLSA 5 uds) TORNILLO DIN 7981 Q4.2 X 32
- 33 0/000.460.1170 (BOLSA 5 uds) TLLO.DE PLASTICO MX16 RS1
- 34 0/000.460.0100 (BOLSA 5 uds) TLLO.FIJ.OPTICA C/PORTAF RR/LIMI
- 35 0/000.360.0490 CUSHION
- 36 0/005.822.2419 MAGNETO
- 37 0/000.460.0340 SCREW M8 X 20
- 38 0/000.460.0600 (BOLSA 5 uds) TLLO 6921-G8,8 JS500 M6x16
- 39 0/000.680.0070 ELIMINATED OF PRODUCTION. IT IS NOT POSSIBLE T
- 40 0/000.460.0622 SCREW M6 X 35
- 41 0/000.360.0840 SUPPORT RUBBER





05 MRX\2k1\MANILLARES AND CONTROLS

- 1 0/000.530.5010 HANDLEBAR GRIPS
- 2 0/000.530.5000 TWIST GRIP ASSY
- 3 0/000.550.5001 COMPLETE GAS CABLE EURO 2 (FRAM.GT 8174)
- 3 0/000.550.5004 COMPLETE GAS CABLE EURO 2 (FRAM.GT 8175)
- 4 0/000.640.5700 CABLE ADJUSTER
- 5 0/000.990.5001R/H MIRROR
- 6 0/000.990.5000L/H MIRROR
- 7 0/000.830.5000 CLUTCH LEVER ASSY
- 8 0/000.680.0070 ELIMINATED OF PRODUCTION. IT IS NOT POSSIBLE T
- 9 0/000.720.5000 HANDLEBAR SWITCH
- 10 0/000.550.5003 CLUTCH CABLE
- 11 0/000.170.5000 HANDLEBAR
- 13 0/000.720.0070 STOP LIGHT SWITCH
- 13 0/000.640.7208 FRONT BRAKE STOP SWITCH FOR J.JUAN PUMP
- 14 0/000.640.0455M/ CYLINDER REPAIR KIT
- 15 0/000.820.0307 MASTER CYLINDER ASSY
- 16 0/000.830.1000 FRONT BRAKE LEVER
- 17 0/000.830.0310 CLUTCH LEVER
- 18 0/000.830.5110 SINGLE STARTER LEVER
- 19 0/000.290.0257 BRAKE HOSE FRONT AJP
- 19 0/000.290.5201 BRAKE HOSE CASTROL
- 20 0/000.460.1300 (BOLSA 5 US\$) TILLO,RACORD TUBO F.D.BREMO
- 21 0/000.440.1040 (BOLSA 5 US\$) BRANDELA JUNTA FRENO DISCO
- 22 0/000.550.5002 CHOKE CABLE
- 23 0/000.350.5001 CAP
- 24 0/000.470.0660 SPRING HANDLE



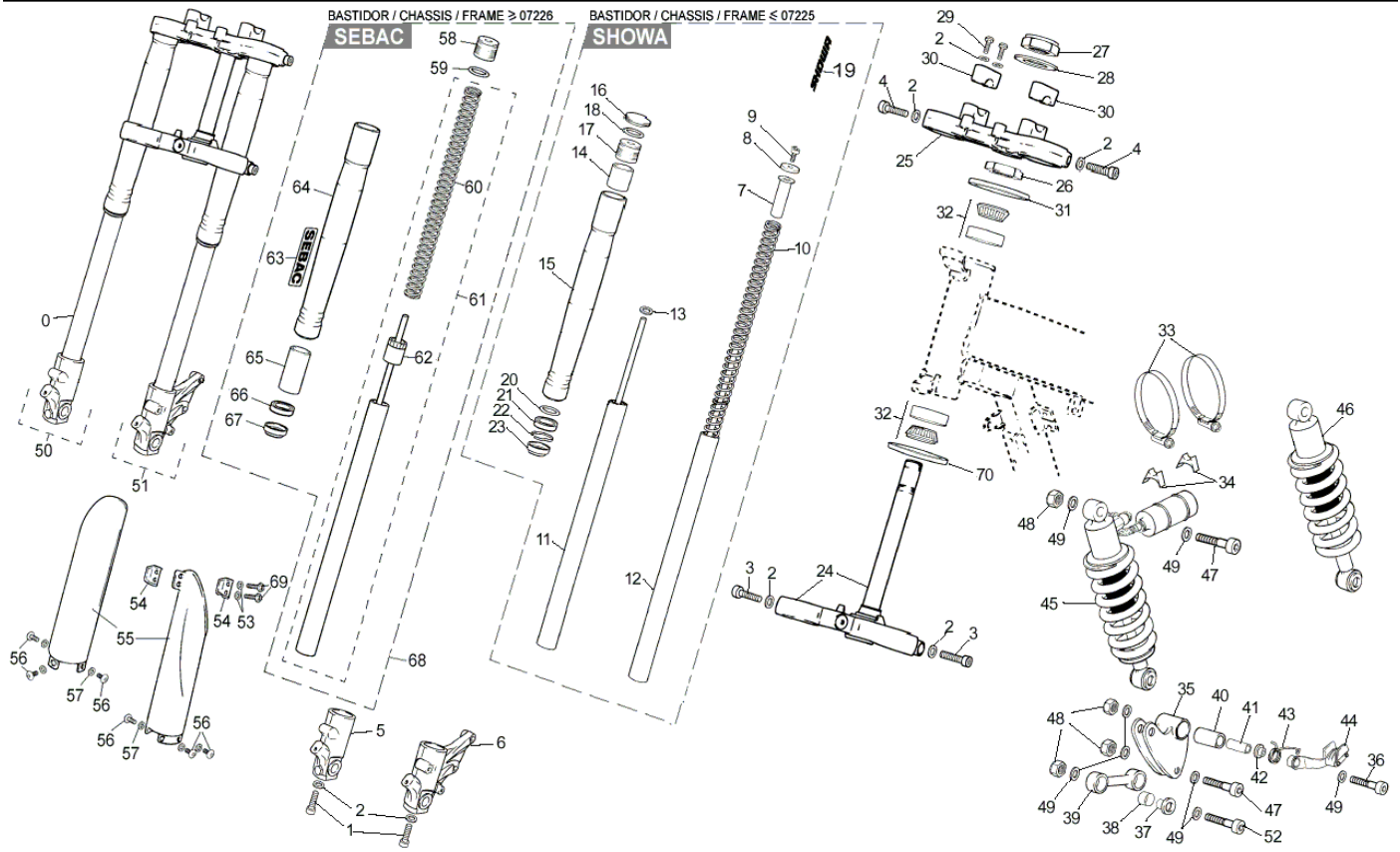
CONJUNTOS / KITS	
73	= 51+61+(0/000.820.5700)
74	= 29+47+26+27+31+30+28+20+47+60
75	= 7+8+9+12+13+14
76	= 40+41+42+12+14+36



06 MRX\2k1\WHEELS AND CONTROLS

- 1 0/000.190.5100 FRONT WHEEL SPINDLE
- 2 0/000.440.0123 (BOLSA 5 uds) ARANDELA PLANA DE 15
- 3 0/001.010.5000 ELIMINATED OF PRODUCTION. IT IS NOT POSSIBLE T
- 4 0/000.460.0610 (BOLSA 5 uds) TILLO. 6921-G8.8 JS500 M6x20
- 5 0/000.550.5000 SPEEEDO CABLE
- 6 0/000.510.0500 TYRE 80/90 - 21
- 7 0/000.230.0800 FRONT WHEEL RIM
- 8 0/000.540.5000 SPOKE
- 9 0/000.070.0100 FRONT HUB
- 10 0/000.520.0500 FRONT INNER TUBE
- 11 0/000.220.0080 FRONT RIM TAPE
- 12 0/000.960.0050 BEARING 6202
- 13 0/000.480.5006 SPACER BEARINGS
- 14 0/000.360.5410 SPACER
- 15 0/000.480.5000 SPACER
- 16 0/000.340.0300 (BOLSA 5 uds) TCA.FIJ.EJE CARRETE MTHON
- 17 0/000.930.0060 DISC PADS
- 18 0/000.860.0050 FRONT CALIPER CASTROL
- 19 0/000.290.5201 CASTROL FRONT BRAKE HOSE
- 20 0/000.460.1300 (BOLSA 5 uds) TILLO.RACORD TUBO F.D.BREBMO
- 21 0/000.840.0090 BRAKE LEVER HOIST
- 22 0/000.840.0060 SPLIT PIN
- 23 0/000.130.0150 SHACKLE
- 24 0/000.340.0130 (BOLSA 5 uds) TUERCA ZINCADA M6 DIN 934.8
- 25 0/000.240.5000 ROD
- 26 0/000.820.0310 REAR MASTER CYLINDER
- 27 0/000.680.0500 CLIP
- 28 0/000.290.5202 REAR BRAKE HOSE
- 29 0/000.720.0073 STOP LIGHT SWITCH REAR
- 30 0/000.030.0170 BRAKE RESERVOIR
- 31 0/000.290.0243 FLUID HOSE
- 32 0/000.480.5002 SPACER 10.5
- 33 0/000.480.5003 SPACER 7.5
- 34 0/001.090.0250 REAR DISC 202 mm MRX
- 35 0/001.090.0200 FRONT DISC 260 mm MRX
- 36 0/000.480.5007 SPACER
- 38 0/000.500.5000 FRICTION PLATE 248 (FRAM.LT 8174)
- 38 0/000.500.5001 FRICTION PLATE 252 (FRAM.GT 8175)
- 38 0/000.500.5100 REAR SPROCKET CASTROL (FRAM.LT 8174)
- 39 0/000.510.0510 REAR TYRE 110/80-18
- 40 0/000.230.0850 REAR RIM
- 41 0/000.540.5001 SPOKE R/H
- 42 0/000.540.5002 SPOKE L/H
- 43 0/000.520.0510 REAR INNER TUBE
- 44 0/000.220.0060 RIM TAPE
- 45 0/000.080.0100 REAR HUB
- 46 0/000.460.0600 (BOLSA 5 uds) TILLO 6921-G8.8 JS500 M6x16
- 47 0/000.440.1040 (BOLSA 5 uds) ARANDELA JUNTA FRENO DISCO
- 48 0/000.380.5001 CHAIN ADJ. L/H
- 49 0/000.380.5000 CHAIN ADJ. R/H
- 50 0/000.980.5007 MOUNTING PLATE
- 51 0/000.290.0257 BRAKE HOSE FRONT AJP
- 52 0/000.460.0670 (BOLSA 5 uds) TILLO 6921-G8.8 JS500 M6x25
- 53 0/000.640.0110 DISC CLIP
- 54 0/000.440.0180 WASHER
- 55 0/000.460.0470 SCREW M8 X 40
- 56 0/000.460.0490 SCREW M8 X 55
- 57 0/001.050.0210 CHAIN COMPLET (FRAM.GT 8175)
- 57 0/001.050.0520 CHAIN COMPLET (FRAM.LT 8174)
- 58 0/001.050.0530 CHAIN CASTROL
- 59 0/000.190.5200 REAR WHEEL SPINDLE
- 60 0/000.860.5000 REAR BRAKE Pincer (FRAM.LT 9035)
- 61 0/000.860.5011 FRONT CALIPER
- 62 0/000.640.0470M/CYL. REPAIR KIT REAR
- 63 0/000.640.0415 CALIPER REPAIR KIT CASTROL FRONT
- 64 0/000.640.0420 CALIPER REPAIR KIT REAR

- 65 0/000.640.0420 CALIPER REPAIR KIT FRONT
- 66 0/000.930.3005 FRONT DISC PADS CASTROL
- 67 0/000.460.0672 BOLT M8 X 35
- 68 0/000.440.0160 (BOLSA 5 uds) ARANDELA LIS.8,5x17x1.25 GT-TT
- 69 0/000.440.0180 WASHER 8.5 X 14 X 3
- 70 0/000.460.0672 BOLT M8 X 35
- 71 0/000.480.5004 SPACER (FRAM.GT 9036)
- 72 0/000.980.0640 MOUNTING PLATE
- 73 0/000.820.0700 COMPLETE FRONT BRAKE SYSTEM SET (FRAM.LT 9035)
- 73 0/000.820.0710 COMPLETE FRONT BRAKE SYSTEM SET (FRAM.GT 9036)
- 74 0/000.820.0760 COMPLETE REAR BRAKE SYSTEM SET (FRAM.GT 9036)
- 74 0/000.820.0750 COMPLETE REAR BRAKE SYSTEM SET (FRAM.LT 9035)
- 75 0/000.110.5400 FRONT WHEEL W/SPO AND SOCK.
- 76 0/000.120.5400 REAR WHEEL W/SPO AND SOCK.
- 78 0/000.980.0750 REAR BRAKE Pincer BRACKET
- 79 0/000.860.0012 REAR BRAKE Pincer



07 MRX\2k1\SUSPENSION

- 0 0/000.130.6001 FORKS COMP.SEBAC FROM NF.07226
- 1 0/000.460.0345 (BOLSA 5 uds) TORNILLO DIN.912 M8 X 25 JS-500
- 2 0/000.440.0180 WASHER
- 3 0/000.460.0350 BOLT M8 X 35
- 4 0/000.460.0350 BOLT M8 X 45
- 5 0/000.880.5001 FORK BOTTOM R/H
- 5 0/000.880.5011 FORK BOTTOM R/H FROM NF.07226
- 6 0/000.880.5012 FORK BOTTOM L/H FROM NF.07226
- 6 0/000.880.5002 FORK BOTTOM L/H
- 7 0/000.710.5000 GUIDE
- 8 0/000.440.5100 WASHER
- 9 0/000.460.0342 SCREW M10 X 25
- 10 0/000.470.5100 SPRING
- 11 0/000.290.5100 FORK TUBE R/H
- 12 0/000.290.5101 FORK TUBE L/H
- 13 0/000.440.5101 WASHER
- 14 0/000.480.5100 SPACER
- 15 0/000.880.5000 OYTER TUBE
- 16 0/000.410.5200 PLUG UPPER
- 17 0/000.410.5201 PLUG
- 18 0/000.490.5000 RING
- 19 0/000.390.0001 ELIMINATED OF PRODUCTION. IT IS NOT POSSIBLE T
- 20 0/000.980.5200 SEAL SUPPORT
- 21 0/000.890.5000 SEAL
- 22 0/000.300.5000 CIRCLIP
- 23 0/000.890.6001 CUP
- 24 0/000.660.5001 BOTTOM YOKE FROM NF.07226
- 25 0/000.660.5002 TOP YOKE FROM NF.07226
- 26 0/000.340.0550 NUT
- 27 0/000.340.0325 NUT FROM NF.07226
- 28 0/000.440.0050 (BOLSA 5 uds) ARANDELA TUERCA TIJA Q35 X 25 X 1
- 29 0/000.460.0350 SCREW M8 X 35
- 30 0/000.350.6003H/BAR CLAMP FROM NF.07226
- 31 0/000.200.7000 DUST COVER
- 32 0/000.960.0200 STEERING BEARING
- 33 0/000.680.0165 CLIP CASTROL
- 34 0/000.360.0250 PACKING CASTROL
- 35 0/000.980.0630 GUIDE
- 36 0/000.460.0409 SCREW M10 X 110
- 39 0/000.770.0103 COMPLETE LINK 2007
- 40 0/000.360.0370 BUSH
- 41 0/000.480.1550 SLEEVE
- 42 0/000.480.5005 SPACER
- 43 0/000.470.5004 SPRING
- 44 0/000.380.5002 TENSIONER ARM
- 45 0/000.180.5000 SHOCK CASTROL
- 46 0/000.180.0702 SHOCK
- 47 0/000.460.0402 (BOLSA 5 uds) TILLO DIN 912 JS500 M10x50
- 48 0/000.340.0182 (BOLSA 5 uds) TUERCA M10 AUTOBL/DIN6926/JS500
- 49 0/000.440.0110 (BOLSA 5 uds) ARANDELA BIS 10x24x1.5
- 50 0/000.640.5113 COMPLETE LEFT HALF SUSPENSION KIT FROM NF.0722
- 50 0/000.640.5510 ELIMINATED OF PRODUCTION. IT IS NOT POSSIBLE T
- 51 0/000.640.5112 COMPLETE RIGHT HALF SUSPENSION KIT FROM NF.072
- 51 0/000.640.5500 ELIMINATED OF PRODUCTION. IT IS NOT POSSIBLE T
- 52 0/000.460.0403 BOLT ALLEN M10 X 60
- 53 0/000.440.0130 (BOLSA 5 uds) ARANDELA LIS.6,5x17x1,5 TT-NS
- 54 0/000.680.5010 GUIDE
- 55 0/000.220.5004 COMPLETE FRONT PROTECTOR SEBAC FROM NF.07226
- 55 0/000.220.5001 NOT AVAILABLE
- 56 0/000.460.1190 (BOLSA 5 uds) TILLO.ESPECIAL PLAST.ESP/7380 M6X
- 57 0/000.480.5009 BUSH
- 58 0/000.410.5202 PLUG
- 59 0/000.490.7200 RING
- 60 0/000.470.5101 SPRING
- 61 0/000.290.5110 COMP FORK TUBE R/H
- 62 0/000.290.5111 HYDRAULIC SET

- 63 0/000.390.5202 ELIMINATED OF PRODUCTION. IT IS NOT POSSIBLE T
- 64 0/000.880.5300 OYTER TUBE
- 65 0/000.300.7001 SPACER
- 66 0/000.890.5010 SEAL
- 67 0/000.890.7000 ELIMINATED OF PRODUCTION. IT IS NOT POSSIBLE T
- 68 0/000.880.5114 RIGHT/LEFT SUSP. KIT WITHOUT BOTTOM FORK
- 69 0/000.460.0600 (BOLSA 5 uds) TILLO 6921-08-9 JS500 M6x16
- 70 0/000.200.7001 LOWER STEERING DUST COVER