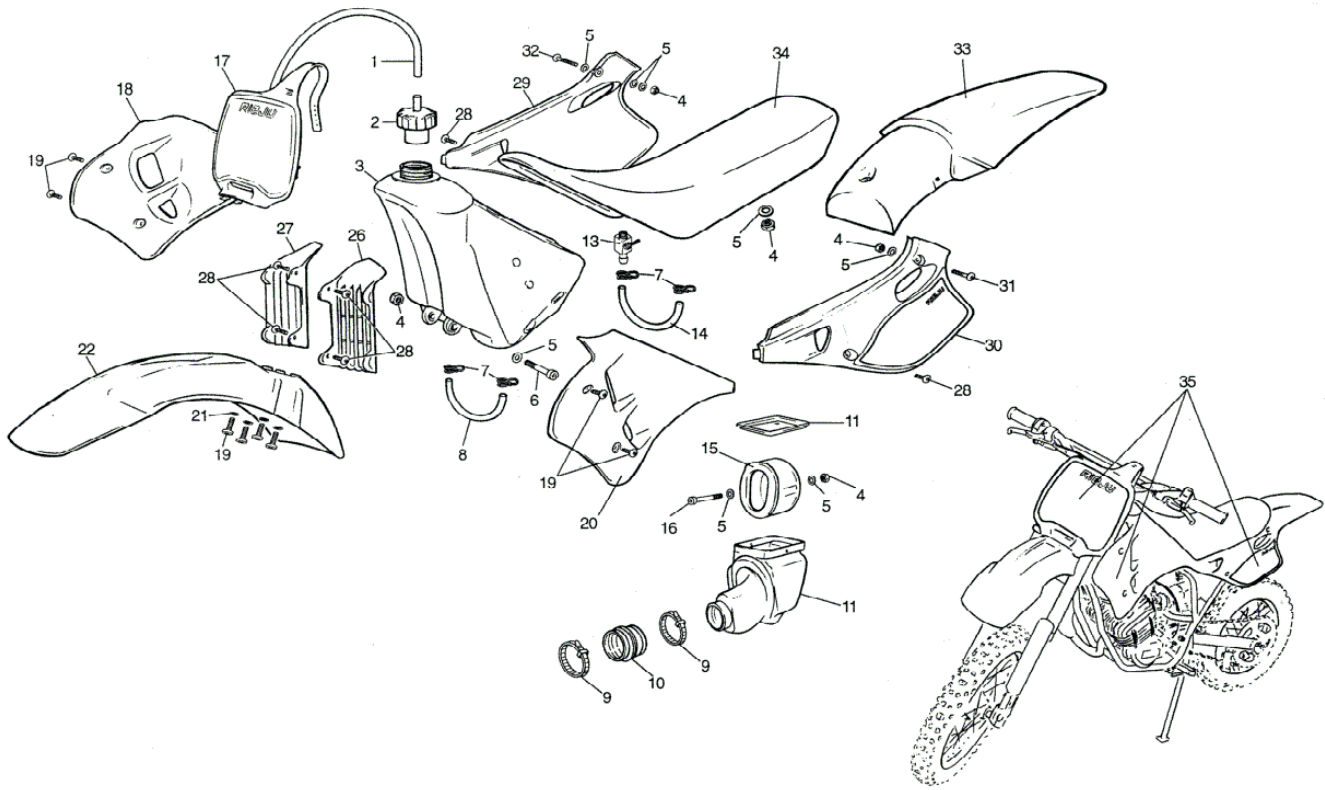


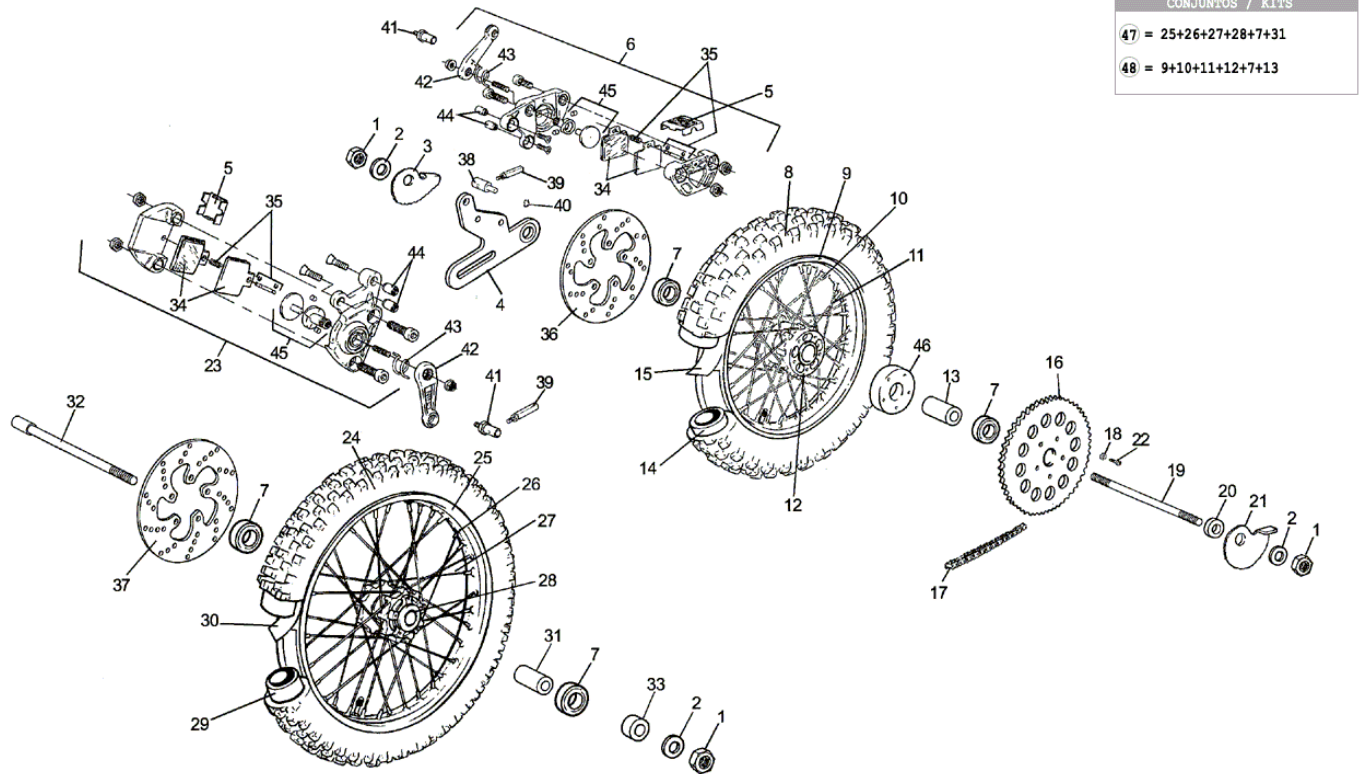
01 MX\k2f\CHASSIS

- 0 0/000.130.0018 COMPLETE FORK MX F.D. 2003 (FRAM.GT 4921)
- 0 0/000.130.0008 COMPLETE FORK MX F.D. 2001 (FRAM.GT 4920)
- 1 0/000.880.0107 COMPLETE LEFT. FORK LEG (FRAM.GT 4920)
- 2 0/000.290.0108 MAIN FORK TUBE (FRAM.GT 4920)
- 3 0/000.680.0006 CABLE CLAMP (FRAM.GT 4920)
- 4 0/000.890.0107 KIT MX F.D. 2001 FORK STOP (FRAM.GT 4920)
- 5 0/000.470.0007 CABLE SPRING
- 6 0/000.470.0107 FORK MAIN SPRING (FRAM.GT 4920)
- 7 0/000.640.0107 COMPLETE RIGHT HALF FORK KIT
- 8 0/000.640.0117 COMPLETE LEFT HALF FORK KIT
- 9 0/000.300.0006 ELASTIC FIXING RING FOR CONE
- 10 0/000.750.0050 STEERING SEMI-BEARING
- 11 0/000.660.0116 LOWER PLATE W/STEM
- 12 0/000.660.0117 UPPER PLATE ONLY
- 13 0/000.460.0350 PLATE SEPARATOR NUT
- 14 0/000.350.6003 LOCKING HANDLEBAR COVER MX FD 2003
- 15 0/000.880.0109 COMPLETE RIGHT. FORK LEG (FRAM.GT 4920)
- 16 0/000.340.0041 UPPER PLATE LOCKING NUT
- 17 0/000.440.0050 UPPER PLATE LOCKING WASHER
- 18 0/000.750.0010 UPPER STEERING SEMI-BEARING
- 19 0/000.460.0345 (BOLSA 5 uds) TORNILLO DIN.912 M8 X 25 JS-500
- 20 0/000.800.0010 STEERING BALL BEARINGS
- 21 0/000.010.0061 MX PAINTED CHASSIS
- 22 0/000.010.0060 MX PAINTED CHASSIS
- 23 0/000.740.0061 RIGHT FOOT PLATE
- 24 0/000.740.0071 LEFT FOOT PLATE
- 25 0/000.460.0471 LOCKING SCREW FOOT PLATES
- 26 0/000.470.0200 FOOT PLATES (RIGHT) SPRING
- 27 0/000.470.0201 FOOT PLATES (LEFT) SPRING
- 28 0/000.480.0210 FOOT PLATE SEPARATOR
- 29 0/000.340.0180 (BOLSA 5 uds) TUBERA MS AUTOL/DIN6926/JS500
- 30 0/000.440.0160 (BOLSA 5 uds) ARANDELA LIS.8,5x17x1.25 GT-TT
- 31 0/000.470.0015 KICKSTAND SPRING
- 32 0/000.210.0065 PAINTED KICKSTAND
- 33 0/000.460.0670 KICKSTAND LOCKING SCREW
- 34 0/000.460.0670 (BOLSA 5 uds) TLLLO 6921-G8.8 JS500 M8x25
- 35 0/000.710.0300 CHAIN GUIDE
- 36 0/000.460.0622 CHAIN GUIDE LOCKING SCREW
- 37 0/000.440.0130 (BOLSA 5 uds) ARANDELA LIS.8,5x17x1.5 TT-MS
- 38 0/000.460.0339 WHEEL TURNBUCKLE ALLEN SCREW
- 39 0/000.020.0060 PAINTED BASCULE
- 40 0/000.340.0185 FIXING BOLT FOR THE TIPPING AXLE
- 41 0/000.440.0120 (BOLSA 5 uds) ARANDELA BIS 12x24x1.5
- 42 0/000.260.0006 BASCULE COUPLING
- 43 0/000.190.0006 BASCULE AXLE
- 44 0/000.460.0402 (BOLSA 5 uds) TLLLO DIN 912 JS500 M10x50
- 45 0/000.440.0110 (BOLSA 5 uds) ARANDELA BIS 10x24x1.5
- 46 0/000.340.0182 (BOLSA 5 uds) TUBERA M10 AUTOL/DIN6926/JS500
- 47 0/000.180.0067 SHOCK ABSORBER
- 48 0/000.360.0006 RUBBER CHAIN SHOE
- 49 0/000.680.0300 REAR BRAKE CABLE CLAMP
- 50 0/000.530.0007 GRIP SET O 22 Y 24
- 51 0/000.360.0700 LOCK. RUBBER TANK HALF-SHAFT
- 52 0/000.550.0063 COMPLETE GAS CABLE
- 53 0/000.830.0060 COMPLETE FRONT BRAKE HANDLE
- 54 0/000.170.0006 PAINTED HANDLEBAR
- 55 0/000.720.0006 ENGINE SWITCH
- 56 0/000.530.0006 COMPLETE GAS GRIP
- 57 0/000.830.0061 COMPLETE REAR BRAKE HANDLE
- 58 0/000.460.0320 FIXING SCREW FOR HANDLEBAR COVER
- 59 0/005.082.1352 COMPLETED ENGINE
- 60 0/000.290.0116 2002 EXHAUST PIPE
- 61 0/000.870.0106 MUFFLER
- 62 0/000.490.0006 EXHAUST PIPE JOINS
- 63 0/000.460.0491 RUBBER ROLLER LOCKING SCREW
- 64 0/000.360.0360 TENSING ROLLER FOR CHAIN
- 65 0/000.480.0625 COLLAR SEPARATOR
- 66 0/000.750.0060 SEMI-BEARING BELOW STEM
- 67 0/000.550.0064 FRONT BRAKE CABLE ONLY
- 68 0/000.550.0062 REAR BRAKE CABLE ONLY
- 69 0/000.360.0460 SILEMBLOCK EXHAUST PIPE GASKET
- 70 0/000.470.0107 SUPPLEMENT SPRING MX F.D. (FRAM.GT 4920)
- 71 0/000.410.0007 PIPE PLUG MX F.D.
- 72 0/000.410.0017 PIPE PLUG MX F.D.
- 73 0/000.490.0007 FORK RING JOINT MX F.D.2001
- 74 0/000.490.0017 FORK RING JOINT MX F.D.2003
- 75 0/000.460.0419 FRONT AXLE SCREW (FRAM.GT 4920)
- 76 0/000.440.0160 (BOLSA 5 uds) ARANDELA LIS.8,5x17x1.25 GT-TT
- 77 0/005.460.1070 EXHAUST SPRING
- 78 0/000.640.0108 COMPLETE RIGHT HALF FORK KIT (FRAM.GT 4920)
- 79 0/000.640.0118 COMPLETE LEFT HALF FORK KIT (FRAM.GT 4920)
- 80 0/000.640.0008 L / R FORK TIPS ASSY 2003 (FRAM.GT 4921)
- 81 0/000.890.0009 RING 2003 (FRAM.GT 4921)
- 82 0/000.290.0010 INTERNAL SPINDLE 2003 (FRAM.GT 4921)
- 83 0/000.470.0009 SPRING 2003 (FRAM.GT 4921)
- 84 0/000.290.0118 COMPLETE FORK BAR LEFT / RIGHT 2003 (FRAM.GT 4921)
- 85 0/000.290.0128 FORK BAR 2003 (FRAM.GT 4921)
- 86 0/000.470.0117 MAIN SPRING MX F.D. 2003 (FRAM.GT 4921)
- 87 0/000.480.0127 SPACER MAIN SPRING 2003 (FRAM.GT 4921)
- 88 0/000.890.0007 DUSTGUARD 2003 (FRAM.GT 4921)
- 89 0/000.300.0007 FASTENING RING 2003 (FRAM.GT 4921)
- 90 0/000.890.0008 OILRETAINER 2003 (FRAM.GT 4921)
- 91 0/000.660.0126 UPPER & LOWER PLATE W/STEM 2003 (FRAM.GT 4921)
- 92 0/000.390.0003 CLAM FORK LEG 2003 (FRAM.GT 4921)
- 93 0/000.460.0346 ALLEN SCREW M8x30 2003 (FRAM.GT 4921)
- 100 0/000.460.0395 TORNILLO SUJECION MOTOR 8 X 80
- 101 0/000.460.0352 TORNILLO SUJECION MOTOR 8 X 40



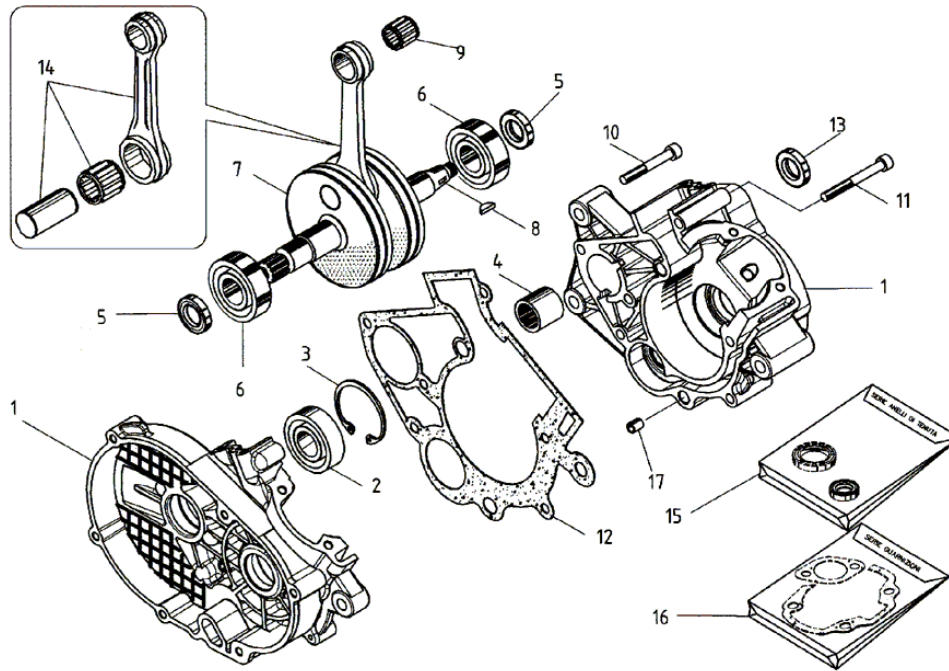
02 MX\k2f\PLASTICS

- 1 0/000.290.0630 FUEL TANK FUMES HOSE
- 2 0/000.410.0060 FUEL TANK CAP
- 3 0/000.030.0006 FUEL TANK
- 4 0/000.340.0170 (BOLSA 5 uds) TUERCA M6 AUTOBL/DIN6926/JS500
- 5 0/000.440.0130 (BOLSA 5 uds) ARANDELA LIS.6,5x17x1,5 TT-KS
- 6 0/000.460.0325 SCREW
- 7 0/000.680.0500 CLIP
- 8 0/000.290.0420 FUEL TANK JOINT HOSE
- 9 0/000.680.0150 RUBBER FILTER LOCK. CLAMP
- 10 0/000.360.0017 FILTER AND CARBURETOR JOINT HOSE
- 11 0/000.910.0016 FILTER BOX WITH COVER
- 13 0/000.370.0060 FUEL SPIGOT
- 14 0/000.290.0420 FUEL LINE
- 15 0/001.070.0006 FOAM FILTER
- 16 0/000.460.0327 FILTER LOCKING SCREW
- 17 0/000.570.0108 BLUE FRONT LICENSE PLATE
- 17 0/000.570.0102 RED FRONT LICENSE PLATE
- 18 0/000.570.0106 BLUE RIGHT TANK PLATE
- 18 0/000.570.2006 RED RIGHT TANK PLATE
- 19 0/000.460.0740 PLATE LOCKING SCREW
- 20 0/000.570.0116 BLUE LEFT TANK PLATE
- 20 0/000.570.2116 RED LEFT TANK PLATE
- 21 0/000.440.0130 (BOLSA 5 uds) ARANDELA LIS.6,5x17x1,5 TT-KS
- 22 0/000.050.0106 BLUE FRONT MUDGUARD
- 22 0/000.050.2006 RED FRONT MUDGUARD
- 26 0/000.220.0007 LEFT GRILL
- 27 0/000.220.0017 RIGHT GRILL
- 28 0/000.460.1190 (BOLSA 5 uds) TILLO.ESPECIAL PLAST.ESP/7380 M6X
- 29 0/000.570.0107 BLUE REAR RIGHT SIDE PLATE
- 29 0/000.570.0112 RED REAR RIGHT SIDE PLATE
- 30 0/000.570.0117 BLUE REAR LEFT SIDE PLATE
- 30 0/000.570.0113 RED REAR LEFT SIDE PLATE
- 31 0/000.460.1191 REAR SIDE PLATE LOCKING SCREW
- 33 0/000.060.0106 BLUE REAR MUDGUARD
- 33 0/000.060.2006 RED REAR MUDGUARD
- 34 0/000.040.0006 COMPLETED SEAT
- 35 0/000.390.0008 RED MX STICKER SET
- 35 0/000.390.0007 BLUE MX STICKER SET



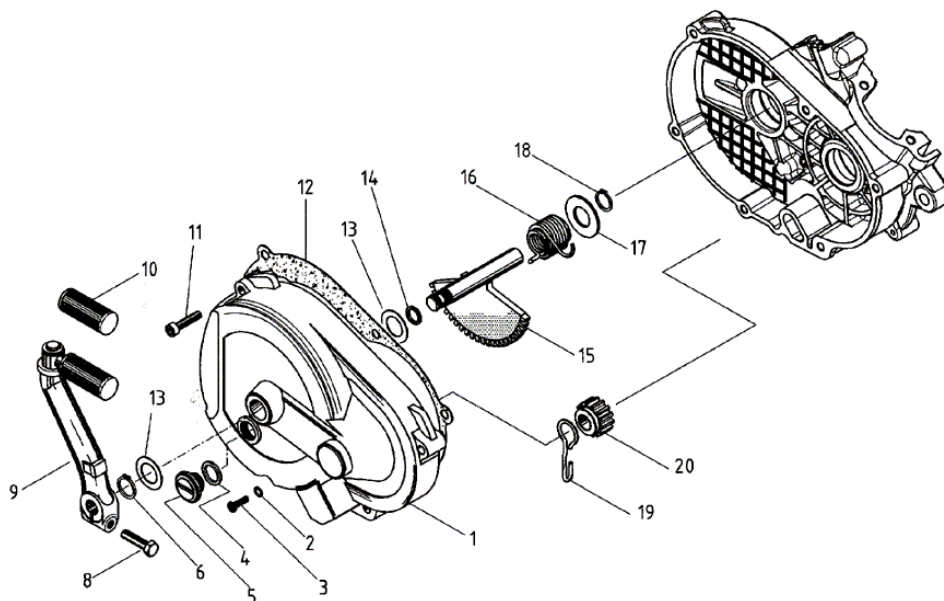
03 MX\k2f\WHEELS AND CONTROLS

- 1 0/000.340.0006 AXLE SOCKET NUT
- 2 0/000.440.0120 (BOLSA 5 uds) ARANDELA BIS 12x24x1.5
- 3 0/000.380.0006 MX RT. WHEEL TURNBUCKLE
- 4 0/000.980.0011 REAR BRAKE PINCER BRACKET MX F.D.
- 5 0/000.350.0001 BRAKE PINCER PLASTIC COVER
- 6 0/000.860.0002 COMPLETE REAR MX SOCKET COVER
- 7 0/000.960.0031 BEARING
- 8 0/000.510.0007 REAR COVER
- 9 0/000.230.0017 REAR TIRE F.D.
- 10 0/000.540.0018 RIGHT BACK WHEEL SPOKE
- 11 0/000.540.0019 LEFT BACK WHEEL SPOKE
- 12 0/000.080.0016 REAR SOCKET
- 13 0/000.480.0014 REAR WHEEL BEARING SEPARATOR
- 14 0/000.520.0007 REAR WHEEL CHAMBER
- 15 0/000.220.0008 12" CHAMBER PROTECTOR
- 16 0/000.500.0007 CHAIN PLATE MX F.D.
- 17 0/001.050.0006 CHAIN
- 18 0/000.440.0180 WASHER
- 19 0/000.190.0008 REAR SOCKET AXLE
- 20 0/000.480.0119 LEFT SEPARATOR OF THE BACK REEL
- 21 0/000.380.0007 MX TENSOR OF LEFT WHEEL
- 22 0/000.460.0631 PLATE SCREW
- 23 0/000.860.0001 F.D. RED MX PINCER
- 24 0/000.510.0006 FRONT COVER
- 25 0/000.230.0016 FRONT TIRE
- 26 0/000.540.0016 LEFT FRONT WHEEL SPOKES
- 27 0/000.540.0017 RIGHT FRONT WHEEL SPOKES
- 28 0/000.070.0016 FRONT SOCKET
- 29 0/000.520.0006 FRONT WHEEL CHAMBER
- 30 0/000.220.0009 15" CHAMBER PROTECTOR
- 31 0/000.480.0013 FRONT WHEEL BEARING SEPARATOR
- 32 0/000.190.0017 FR. SOCKET AXLE MX F.D.
- 33 0/000.480.0018 FRONT WHEEL LEFT SEPARATOR
- 34 0/000.930.0016 BRAKE PADS MX F.D.
- 35 0/000.190.0001 AXLE BRAKE KIT
- 36 0/001.090.0016 REAR BRAKE DISC
- 37 0/001.090.0006 FRONT BRAKE DISC
- 38 0/000.980.0002 BRAKE ADJUSTER BRACKET
- 39 0/000.380.0001 COMPLETE BRAKE ADJUSTER
- 40 0/000.300.0100 CIRCLIP
- 41 0/000.920.0006 CABLE HOLDER
- 42 0/000.730.0001 BRAKE PINCER MX F.D. LEVER
- 43 0/000.470.0001 SPRING PINCER BRAKE MX F.D.
- 44 0/000.980.0003 CAPTIVE NUTS
- 45 0/000.920.0001 BRAKE PLUNGER
- 46 0/000.480.0011 ELIMINATED OF PRODUCTION. IT IS NOT POSSIBLE T
- 47 0/000.110.0016 FRONT WHEEL W/ SPOKE AND SOCKET
- 48 0/000.120.0016 REAR WHEEL W/ SPOKE AND SOCKET



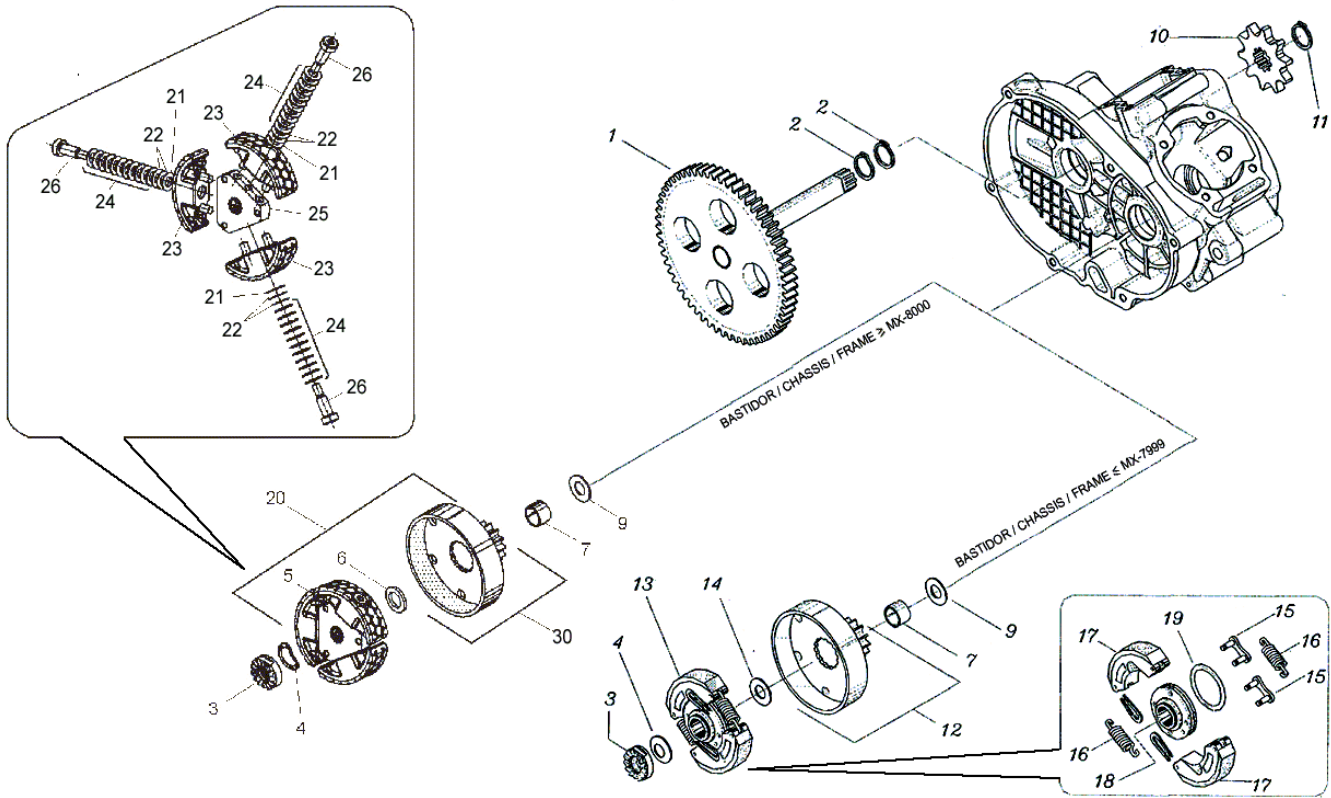
0A MX\k2f\TAV_A

- | | |
|-------------|----------------------------------|
| 1 MX120690 | COMPLETE CRANKCASE SET |
| 2 MX126067 | BEARING 17X35X10 |
| 3 MX105070 | LOCKING RING D36 |
| 4 MX108512 | CRANKCASE GUIDES HK 1712 B INA |
| 5 MX106033 | STOP 17-27-6 |
| 6 MX126021 | BEARING 17x40x12 6203/C3 |
| 7 MX100189 | COMPLETE CRANK-SHAFT |
| 8 MX127025 | FLY WHEEL COTTER |
| 9 MX161024 | TIE ROD CAGE KBK 12X15X15 INA |
| 10 MX291991 | LOCK SCREW 6X50 |
| 11 MX291993 | LOCK SCREW 6X60 |
| 12 MX164297 | CENTRAL CRANKCASE JOINT 17X35X10 |
| 13 MX106034 | STOP 17-27-5 |
| 14 MX110041 | COMPLETE TIE ROD |
| 15 MX260536 | STOP SET |
| 16 MX260657 | JOINT SET |
| 17 MX268127 | CRANKCASE GUIDES |



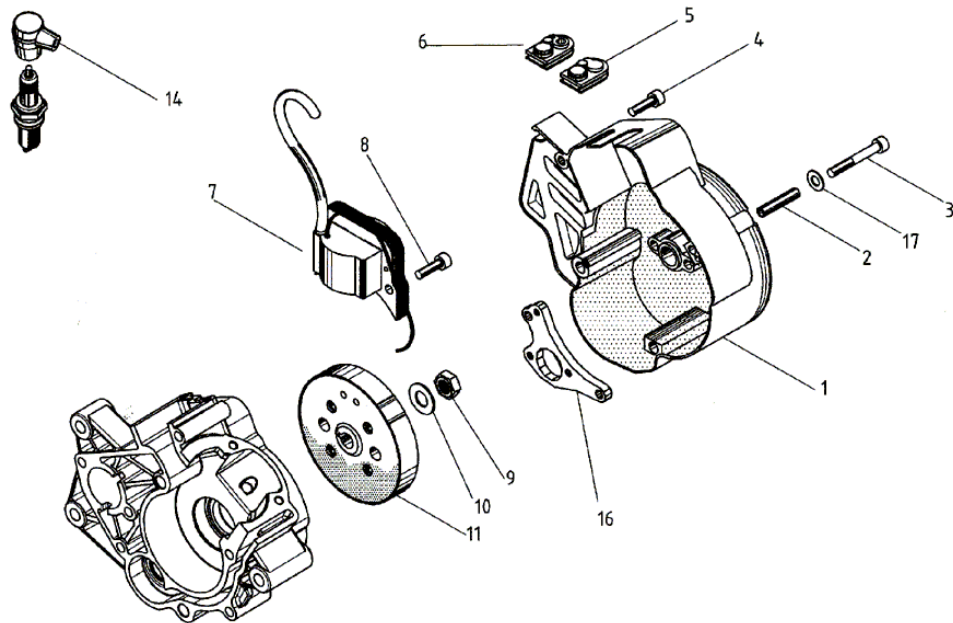
0B MX\k2f\TAV_B

1	MX124276	CLUTCH COVER S6 V/ARIA SPORT
1	MX124257	CLUTCH COVER S6 V/ARIA SPORT FROM NF.MX-8000
2	MX164069	ALUMINIUM JOINT
3	MX296001	SCREW
3	MX296144	SCREW FROM NF.MX-8000
4	MX164026	OIL CAP JOINT
5	MX273007	OIL CAP
6	MX105029	LOCKING RING DIN 471 14 x 1,2
6	MX105053	LOCKING RING DIN 471 14 x 1,2 FROM NF.MX-8000
8	MX294115	SCREW 7X25 ZN
9	MX190029	IGNITION LEVER RVK FM
10	MX163028	STARTING LEVER GASKET
11	MX291987	LOCK SCREW 6X30 ZN
12	MX164296B	(BOLSA 5 uds) JUNTA EMBRAGUE MX S6
13	MX25400508	SPECIAL WASHER 15X22X0,8
14	MX107024	SEAL O-RING
15	MX100188	GEAR SET
16	MX201181	LOCK IGNITION TREE COUPLING
17	MX254010	WASHER
18	MX105001	LOCKING RING DIN 471 15
19	MX201197	LOCK SPRING
20	MX181300	RUNNING LOCK



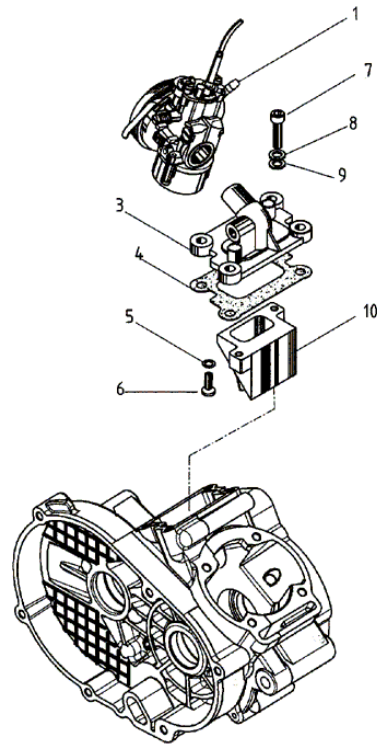
0C MX\k2f\TAV_C

- | | | |
|----|------------|--|
| 1 | MX120689 | TRANSMISSION |
| 2 | MX105077 | LOCKING RING D.17 |
| 3 | MX131035 | RUNNING LOCK |
| 4 | MX201195 | LOCK RING D.10.5X20X1.5 |
| 5 | MX150110 | CLAMPS |
| 6 | MX136130 | SPACER CLAMP |
| 7 | MX115097 | TRANSMISSION COUPLING |
| 9 | MX25400506 | SPECIAL WASHER 15X22X0,6 |
| 10 | MX232608 | ENGINE OUTPUT PINION Z10 S6 |
| 11 | MX105035 | LOCKING RING |
| 12 | MX180031 | PINION |
| 13 | MX200027 | ELIMINATED OF PRODUCTION. IT IS NOT POSSIBLE T |
| 14 | MX136130 | SPACER CLAMP |
| 15 | MX120558 | CLAMP LINK |
| 16 | MX201130 | CLAMP SPRING M1/S |
| 17 | MX127020 | CLAMPS |
| 18 | MX206002 | CLAMP BRACKET |
| 19 | MX107065 | RING |
| 20 | MX774549 | COMPLETE CLUTCH |
| 21 | MX254261 | WASHER |
| 22 | MX254260 | WASHER |
| 23 | MX200100 | CLAMPS |
| 24 | MX201216 | CLAMP SPRING |
| 25 | MX206101 | CLAMP BRACKET |
| 26 | MX296155 | SCREW M6 CLAMPS |
| 30 | MX180038 | PINION |



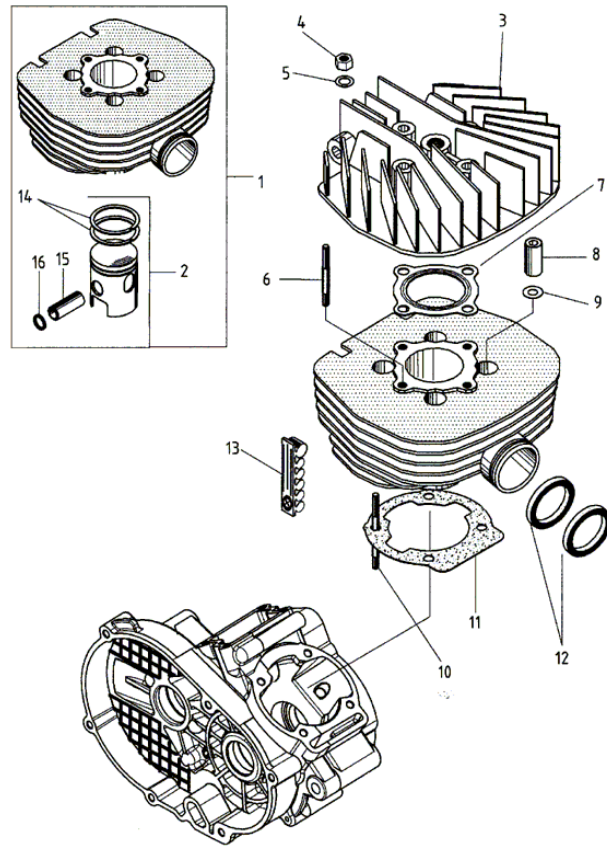
0D MX\k2f\TAV_D

1	MX124260	FLYWHEEL COVEREC+MIX+SPORT+COM
2	MX167056	GUM SEPARATOR
3	MX291966	SCREW 5X50 ZN
4	MX291959	SCREW 5X20 ZN
5	MX163079	RUBBER HOIST
5	MX163078	RUBBER HOIST FROM NF.MX-8000
6	MX163075	RUBBER HOIST
7	MX140003	COIL
8	MX291957	LOCK SCREW 5 x 6
9	MX131032	NUT M8
10	MX254023	WASHER B.8X14X1,5 ZN.WHITE
11	MX290161	MAGNETIC FLYWHEEL
13	MX127347	ELIMINATED OF PRODUCTION. IT IS NOT POSSIBLE T
14	MX237152	SPARK PLUG PIPETTE RJ 5K 800/N FROM NF.MX-800
14	MX237146	SPARK PLUG PIPETTE RJ 5K 800/N
16	MX268257	SEPARATOR
17	MX254012	WASHER D.5 ZN.BLANCA
17	MX254240	WASHER D.5 ZN.BLANCA FROM NF.MX-8000



0G MX\k2f\TAV_G

1	MX120842	CARBURETOR .SHA 14/12 R.2331
3	MX251163	CARBURETOR PIPETTE
4	MX164304	CARBURETOR PIPETTE JOINT
5	MX254086	WASHER 4,3X9 UNI6592-69
6	MX296137	SCREW T.B.4.2X22 UNI 6954
7	MX291984	SCREW TCE 6X20 ZN
8	MX254238	WASHER
9	MX254001	WASHER D6 ZN
10	MX290527	ASPIRATION VALVE JOINT



0H MX\k2f\TAV_H

- | | | |
|----|----------|-------------------------------------|
| 1 | MX773966 | CYLINDER + PISTON |
| 2 | MX230182 | COMPLETE PISTON S6 V/SPORT |
| 3 | MX275091 | HEAD S6 V/SPORT |
| 4 | MX131005 | SOCKET NUT M7 |
| 5 | MX254081 | WASHER D 7 ZN |
| 6 | MX235032 | LOCK CYLINDER STUD |
| 7 | MX164309 | CYLINDER-HEAD JOINT S6 SPORT. |
| 8 | MX127336 | SEPARATOR |
| 9 | MX254001 | WASHER D6 ZN |
| 10 | MX235051 | LOCK CYLINDER STUD S6 V/SPOR |
| 11 | MX164295 | CILINDER-CRACKCASE JOINT S6 0,5 |
| 12 | MX107065 | EXHAUST JOINT |
| 13 | MX163047 | RUBBER CYLINDER VIBRATION PROTECTOR |
| 14 | MX261056 | SEGMENT D.39 GS |
| 15 | MX268107 | PISTON PIN D 12 |
| 16 | MX104001 | RETENTION RING PIN |