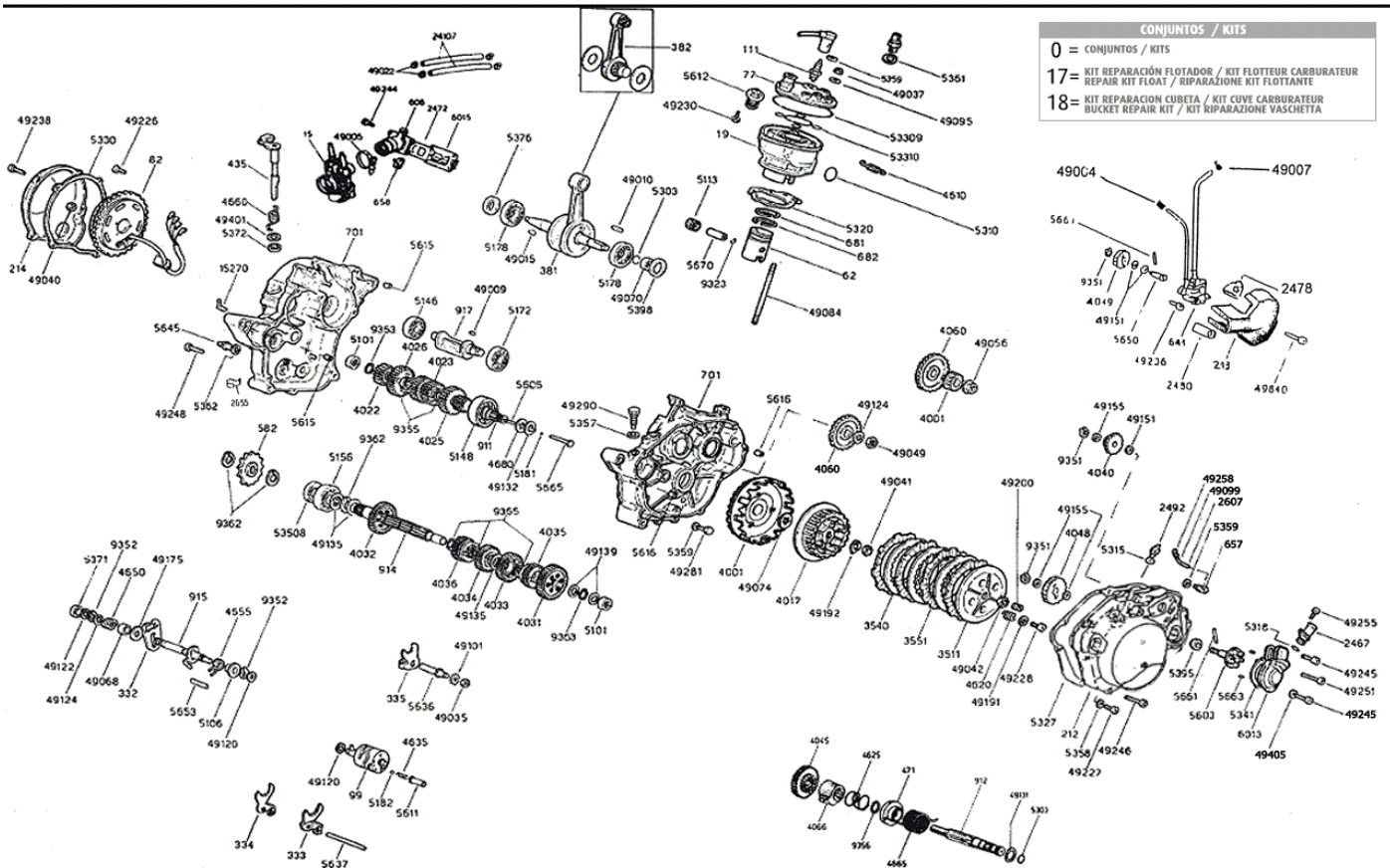
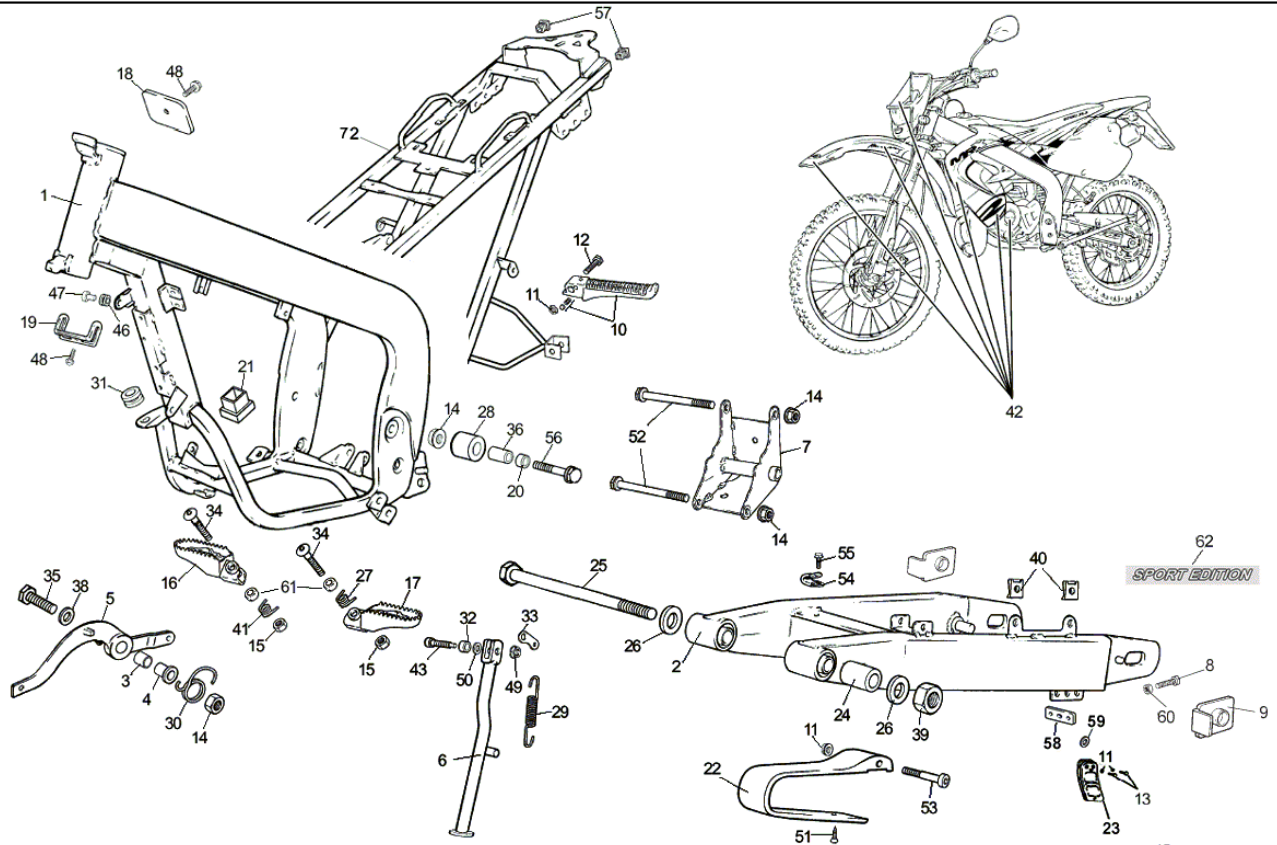


# AM6 K/S EURO 0384



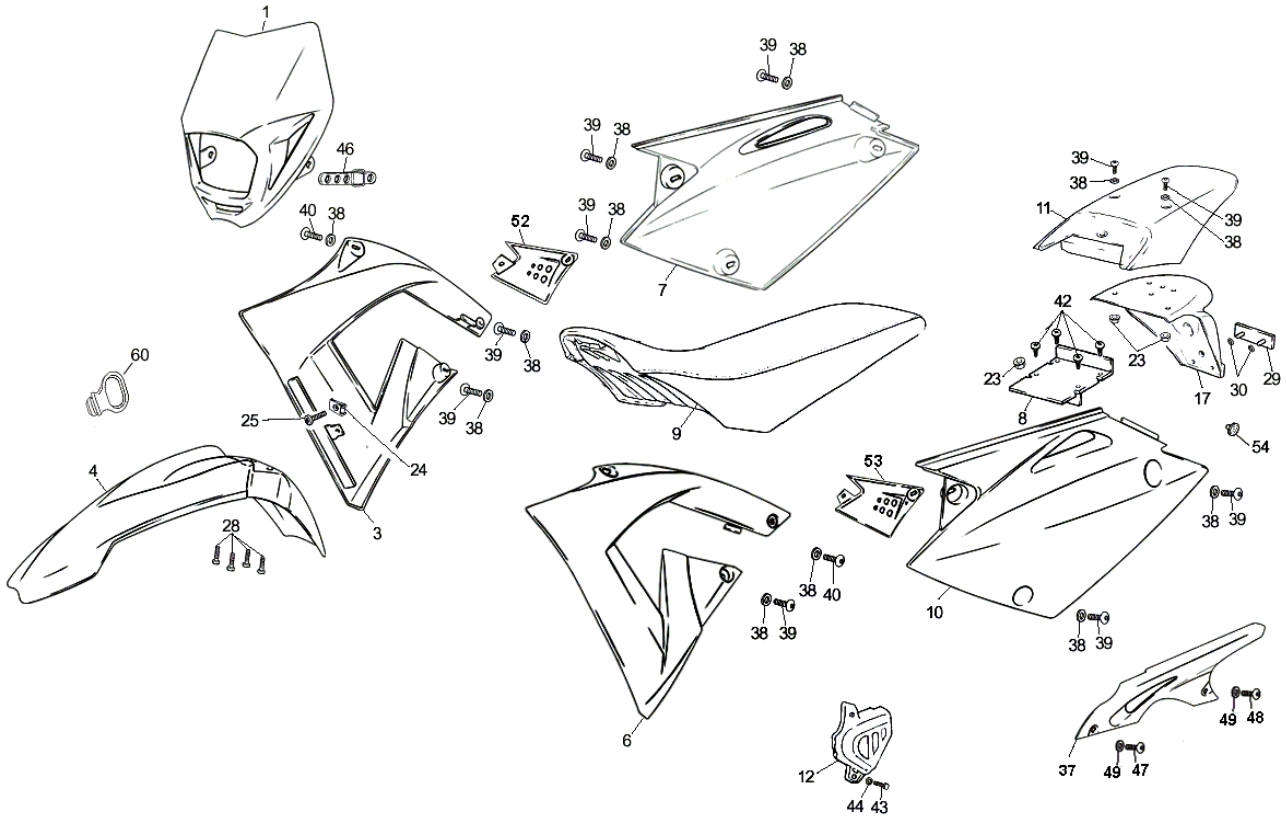
## 00 RRX\k6d\ENGINE#d

- 99 0/005.090.0330 TREE
- 332 0/005.330.0217 FORK SENDS SELECTOR
- 333 0/005.330.0060 FORK CONTROL CHANGE 1a AND 3a
- 334 0/005.330.0070 FORK CONTROL CHANGE 2a AND 3a
- 335 0/005.330.0080 FORK CONTROL CHANGE 5a AND 6a
- 435 0/005.430.0320 WEIGH CLUTCH COMPLETE
- 657 0/005.650.1421 BRIDGE REGISTERS CABLE OIL PUMP PRICOL
- 657 0/005.650.1420 BRIDGE REGISTERS CABLE OIL PUMP
- 658 0/005.650.1410 BRIDGE CABLE CLUTCH
- 2467 0/005.240.2050 ENTERED MUFF DILUTES ON PUMP
- 2472 0/005.240.2117 INSERT VALVE OF SHEETS
- 2492 0/005.247.0547 PLUG FEEDING OIL
- 3551 0/005.350.3580 DISK LINED CLUTCH
- 4040 0/005.400.4787 INTERMEDIATE DOUBLE PINENUT Z = 13/24
- 4049 0/005.400.5757 PINENUT PUMP OILS
- 4610 0/005.460.1070 SPRING EXHAUST
- 4635 0/005.460.3510 SPRING RETAINS MARCH
- 4650 0/005.460.1967 SPRING RETAINS FORK SELECTOR
- 4655 0/005.460.2027 SPRING RETAINS LEVER SELECTOR
- 4660 0/005.460.2200 SPRING RECOVERY WEIGHS CLUTCH
- 4680 0/005.460.3010 WASHER-SPRING
- 5101 0/005.510.1029 CAGE OF ROLLERS DB 14-12
- 5106 0/005.510.1297 CAP FOR SELECTOR SPRING
- 5146 0/005.510.2039 BEARING O15 x 25 x 11
- 5148 0/005.510.2059 BEARING O17 x 40 x 12
- 5156 0/005.510.2159 BEARING O20 x 47 x 14
- 5172 0/005.510.2299 BEARING O17 x 40 x 12
- 5178 0/005.510.2652 BEARING O17 x 47 x 14
- 5181 0/005.510.4039 BALL 3/16"
- 5182 0/005.510.4079 BALL O9 MM
- 5308 0/005.530.1149 RING O19 x 1,2
- 5318 0/005.530.1329 RING OF RETENTION O11,8 x 2,4
- 5320 0/005.530.8020 (BOLSA 5 uds) JUNTA CILINDRO AM-5
- 5327 0/005.530.3640 (BOLSA 5 uds) JUNTA TAPA EMBRAGUE AM-5
- 5341 0/005.530.4000 (BOLSA 5 uds) JUNTA CUERPO BOMBA AGUA AM-5
- 5357 0/005.530.4710 SCREW GASKET
- 5358 0/005.530.4720 SCREW 6 x 12 OIL LEVEL GASKET
- 5359 0/005.530.4730 (BOLSA 5 uds) JUNTA FIBRA 8\*14
- 5361 0/005.530.4750 SCREW WATER EXIT 14,1 x 22 x 1 GASKET
- 5362 0/005.530.4790 NEUTRAL INDICATOR GASKET
- 5371 0/005.530.5019 (BOLSA 5 uds) RETEN DE 12\*22\*7 mm.
- 5372 0/005.530.5029 (BOLSA 5 uds) RETEN 15\*24\*5 mm.
- 5376 0/005.530.5069 (BOLSA 5 uds) RETEN DE 17\*35\*8
- 5395 0/005.530.5339 DETENT 10 x 18 x 8
- 5395 0/005.530.5339 (BOLSA 5 uds) RETEN 10\*18\*8 RST/80
- 5398 0/005.530.5379 (BOLSA 5 uds) RETEN 24x35x7 (VITON) LADO EMBR.
- 5603 0/005.560.0080 FASTENER BOMB DILUTES
- 5605 0/005.560.1460 BAR PUSHER CLUTCH O5 x 116,6
- 5611 0/005.560.2070 PIN
- 5612 0/006.050.0077 THERMOSTAT "BEHR THOMSON No 1085"
- 5615 0/005.560.2580 CRANKCASE GUIDE O11,5 x 12
- 5616 0/005.560.2610 CRANKCASE GUIDE O8,51 x 7,6
- 5636 0/005.560.9010 SHAFT 7,8 x 72
- 5637 0/005.560.9020 SHAFT 7,8 x 91,5
- 5645 0/005.560.3570 SWITCH DEAD POINT
- 5650 0/005.560.9777 SHAFT OIL PUMP
- 5653 0/005.560.9787 SHAFT
- 5661 0/005.560.4007 ROLLER O3 x 21,8 FOR PINENUT BOMB
- 5663 0/005.560.4017 ROLLER O4 x 10 BODY BOMB
- 5665 0/005.560.5510 PUSHER CLUTCH O13 IN HEAD
- 5670 0/005.560.6100 PISTON PIN
- 6013 0/005.600.1290 BODY BOMB DILUTES (FRAM.GT 832222)
- 6013 0/005.600.1280 BODY BOMB DILUTES (FRAM.LT 832221)
- 15270 0/005.150.6489 JOINT
- 15320 0/005.150.7690 BENT TUBE 40 GR. WITH SCREW AND NUT
- 49004 0/005.490.0479 BAND FOR TUBE OILS
- 49007 0/005.490.0269 BAND FOR ENTERED TUBE OILS TO THE BOMB
- 49009 0/005.490.1120 LOCKNUT 4 x 4 x 8
- 49010 0/005.490.1180 LOCKNUT 4 x 4 x 20 FOR SPROCKET
- 49015 0/005.490.1248 LOCKNUT 3 x 3,7 x 10 FLYWHEEL
- 49035 0/005.490.3059 METRIC NUT 7 x 5,5
- 49037 0/005.490.3570 (BOLSA 5 uds) TUERCA M1X1 AUTOLUBRICANTE AM-5
- 49040 0/005.490.3490 (BOLSA 5 uds) TUERCA M10X1,25 FIJ.VOLANTE
- 49041 0/005.490.3370 METRIC NUT 12 x 1,25
- 49042 0/005.490.3240 METRIC NUT 14 x 1,25
- 49049 0/005.490.3420 METRIC NUT 12 x 1
- 49056 0/005.490.3470 (BOLSA 5 uds) TUERCA M-12x1.25 AM-5
- 49068 0/005.490.4127 SPACER O12,4 x 14,4 x 11
- 49074 0/005.490.4390 SPACER DRUM CLUTCH O13 x 30 x 4
- 49084 0/005.490.5140 METRIC SCREW 7 x 115
- 49095 0/005.490.6099 (BOLSA 5 uds) ARANDELA VISELADA
- 49101 0/005.490.6129 WASHER O7 JAGGED INTERIOR
- 49120 0/005.490.6406 (BOLSA 5 uds) ARANDELA 10 x 16 x 0,6 AM5
- 49122 0/005.490.6426 WASHER STEELS O12 x 17 x 0,6
- 49124 0/005.490.6440 WASHER STEELS O12,3 x 22
- 49132 0/005.490.6520 (BOLSA 5 uds) ARANDELA ACERO 17.2x30
- 49135 0/005.490.6556 WASHER STEELS O20,45 x 28 THICKNESS 0,6
- 49135 0/005.490.6554 (BOLSA 5 uds) ARANDELA 20.45\*28
- 49139 0/005.491.6046 WASHER STEELS O14,5 x 27 THICKNESS 0,6
- 49139 0/005.491.6044 (BOLSA 5 uds) ARANDELA 14,5X27 RST O,4 EVOL
- 49139 0/005.491.6044 WASHER STEELS O14,5 x 27 THICKNESS 0,4
- 49151 0/005.491.6096 WASHER STEELS O8,4 x 16 x 0,6
- 49155 0/005.491.6130 WASHER STEELS O8,2 x 15 x 1
- 49175 0/005.490.6800 WASHER O12,75 x 28 x 1,5
- 49191 0/005.490.6890 WASHER O5 x 15 x 2
- 49192 0/005.490.7000 (BOLSA 5 uds) ARANDELA 5x15x2
- 49200 0/005.490.8010 SCREW CLUTCH M14 x 1,25 x 18
- 49226 0/005.490.9389 (BOLSA 5 uds) TILLO METALICO 4X10 EVOL
- 49227 0/005.490.8420 METRIC SCREW 6 x 6
- 49228 0/005.491.9049 (BOLSA 5 uds) TORNILLO 5x20
- 49230 0/005.490.8460 METRIC SCREW 4 x 10
- 49236 0/005.490.8529 METRIC SCREW 5 x 16
- 49238 0/000.460.0290 METRIC SCREW 6 x 20
- 49244 0/005.490.8619 METRIC SCREW 6 x 20
- 49245 0/000.460.0311 METRIC SCREW 6 x 25
- 49246 0/000.460.0320 METRIC SCREW 6 x 30
- 49248 0/005.490.8659 METRIC SCREW 6 x 40
- 49251 0/005.490.8689 METRIC SCREW 6 x 55
- 49281 0/005.490.9119 METRIC SCREW 8 x 10
- 49290 0/005.490.9220 METRIC SCREW 12 x 1,25
- 49386 0/005.491.7621 WASHER
- 49840 0/005.497.0669 METRIC SCREW 5 x 35
- 53508 0/005.530.5499 (BOLSA 5 uds) RETEN 20\*35\*7 DIN 3760



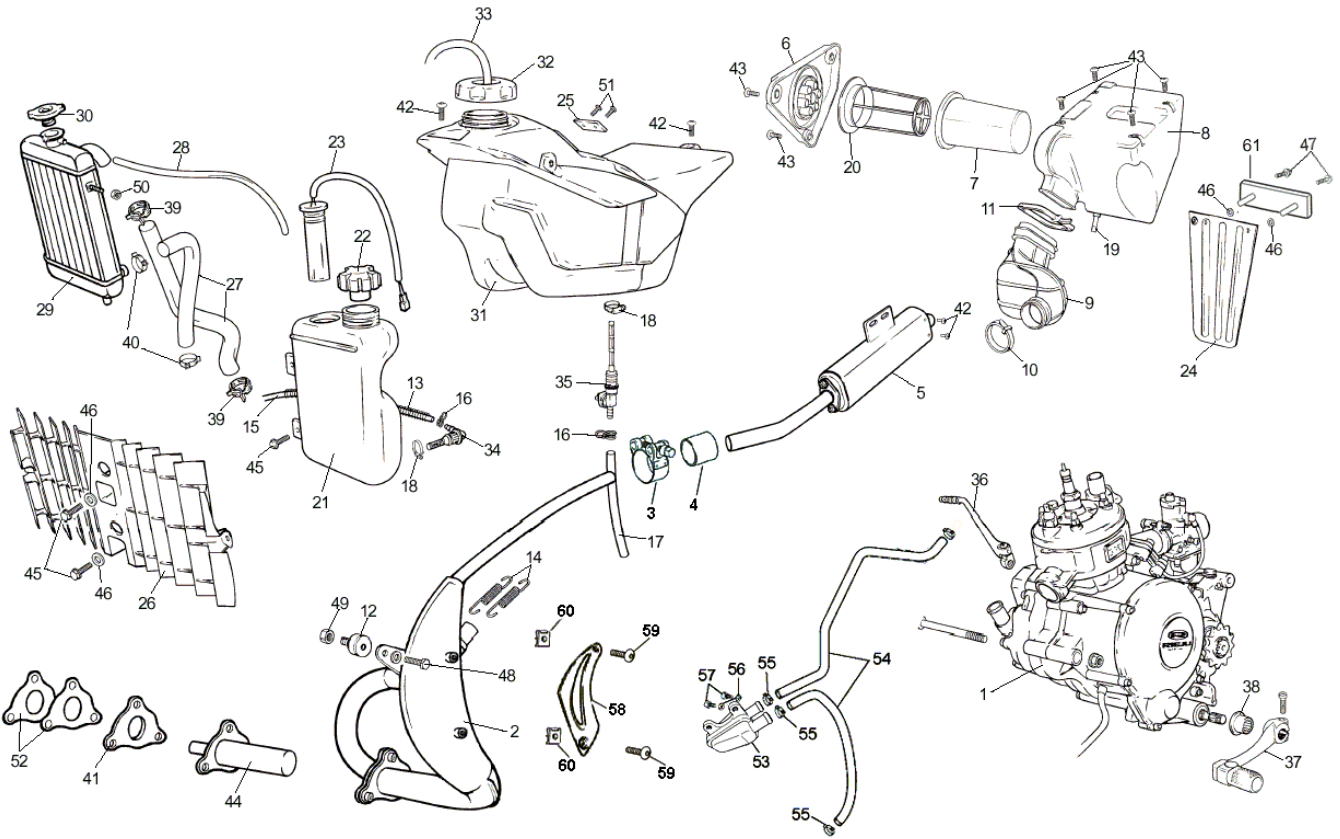
01 RRX\k6d\CHASSIS

- 1 0/000.010.5002 FRAME MRX GREY
- 2 0/000.020.5210 SWINGING ARM MRX GREY
- 3 0/000.260.5000 BUSH
- 4 0/000.260.5001 SPACER
- 5 0/000.730.0710 BRAKE PEDAL (ALU)
- 6 0/000.210.5100 STAND CHROME
- 7 0/000.980.5001 ENGINE SUPPORT
- 8 0/000.460.0480 BOLT, M6
- 9 0/000.380.5100 WHEEL TENSOR
- 10 0/000.740.0330 PASSENGER FOOTREST (IRON)
- 11 0/000.340.0170 (BOLSA 5 uds) TUERCA M6 AUTOBL/DIN6926/JS500
- 12 0/000.460.0622 BOLT M6 X 35
- 13 0/000.460.0623 BOLT M6 X 45
- 14 0/000.340.0180 (BOLSA 5 uds) TUERCA M8 AUTOBL/DIN6926/JS500
- 15 0/000.340.0182 (BOLSA 5 uds) TUERCA M10 AUTOBL/DIN6926/JS500
- 16 0/000.740.0301 R/H DRIVERS FOOTREST
- 17 0/000.740.0311 L/H DRIVERS FOOTREST
- 18 0/000.630.5000 CONNECTOR PLATE
- 19 0/000.980.5005 SUPPORT CABLES
- 20 0/000.480.0731 SPACER
- 21 0/000.410.0132 PLUG RUBBER
- 22 0/000.360.5001 CHAIN PROTECTOR
- 23 0/000.710.0300 CHAIN GUIDE
- 24 0/000.360.0370 BUSH
- 25 0/000.190.8001 SWINGING ARM SPINDLE
- 26 0/000.440.0123 (BOLSA 5 uds) ARANDELA PLANA DE 15
- 27 0/000.470.0200 FOOTREST SPRING L/H
- 28 0/000.360.0792 ROLLER
- 29 0/000.470.5000 STAND SPRING
- 30 0/000.470.5003 FOOT PEDAL SPRING
- 31 0/000.360.0400 RADIATOR RUBBER MOUNT
- 32 0/000.480.5001 SPACER STRAND
- 33 0/000.980.5006 SPRING ARM
- 34 0/000.460.5100 BOLT M10 X 50
- 35 0/000.460.0673 PEDAL BOLT
- 36 0/000.480.0645 BUSH
- 38 0/000.440.0160 (BOLSA 5 uds) ARANDELA LIS.8,5x17x1.25 GT-TT
- 39 0/000.340.5000 NUT M14
- 40 0/000.340.5101 (BOLSA 5 uds) TUERCA RAPIDA M6 DACROMET 500GR
- 41 0/000.470.0201 FOOTREST SPRING R/H
- 42 0/000.390.5038 DECAL SET MRX ORANGE
- 42 0/000.390.5036 DECAL SET MRX BLUE
- 42 0/000.390.5037 DECAL SET MRX BLACK
- 43 0/000.460.3015 (BOLSA 5 uds) TILLO FIJACION CABALLETE MOD/MRX
- 46 0/000.360.0490 UPPER RADIATOR RUBBER MOUNT
- 47 0/000.480.0710 SPACER
- 48 0/000.460.0610 (BOLSA 5 uds) TILLO. 6921-G8.8 JS500 M6X20
- 49 0/000.340.0182 (BOLSA 5 uds) TUERCA M10 AUTOBL/DIN6926/JS500
- 50 0/000.440.0110 (BOLSA 5 uds) ARANDELA BIS 10x24x1.5
- 51 0/000.460.0745 (BOLSA 5 uds) TILLO.DIN-7982 5.5 X 19
- 52 0/000.460.0550 (BOLSA 5 uds) TILLO 6921-G8.8 JS500 M8x100
- 53 0/000.460.0322 SCREW
- 54 0/000.680.0300 BRAKE HOSE CLIP
- 55 0/000.460.0745 (BOLSA 5 uds) TILLO.DIN-7982 5.5 X 19
- 56 0/000.460.0491 BOLT M8 X 60
- 57 0/000.410.0131 PLUG
- 58 0/000.980.0820 SUPPORT
- 59 0/000.440.0131 WASHER
- 60 0/000.340.0150 M6 NUT
- 61 0/000.480.0215 SPACER Q14 X 2 X 24
- 62 0/000.390.5053 JUEGO CALCA BASCULANTE
- 72 0/000.010.5003 CHASSIS PARTE TRASERA PINTADO



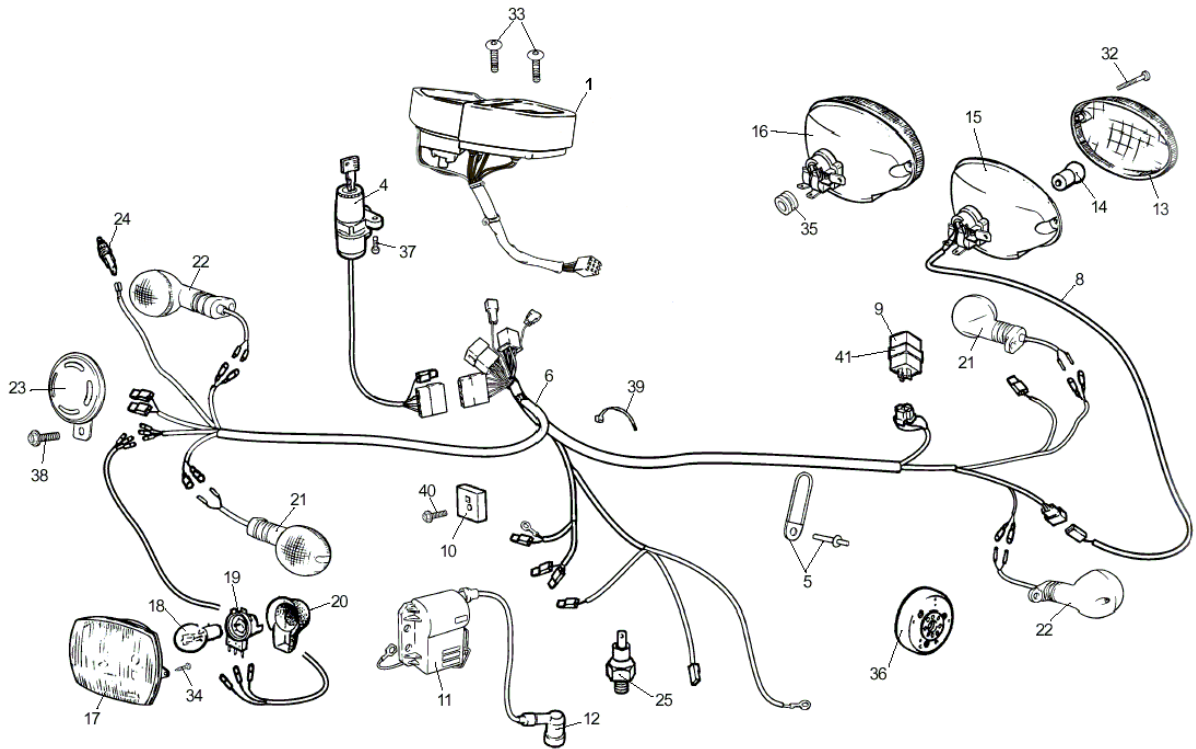
02 RRX\k6d\PLASTICS

- |  |  |
|--|--|
| 1 0/000.620.5223 PORTAFAROS S/OPTICA PINTADO ROJO 2008             | 40 0/000.460.1189 (BOLSA 5 uds) TLLLO ESPECIAL PLAST.M6X9        |
| 1 0/000.620.5203 PORTAFAROS SOLO MRX/SMX NEGRO 2007 (PINTADO)      | 43 0/000.460.0285 SCREW M5 X 15                                  |
| 1 0/000.620.5220 PORTAFAROS S/OPTICA PINTADO NEGRO 2008            | 44 0/000.440.0131 WASHER 6,5 X 12 X 1,5                          |
| 1 0/000.620.5201 PORTAFAROS DEL. MRX AZUL                          | 46 0/000.360.0172 RUBBER SUPPORT 2002 HEAD LAMP                  |
| 1 0/000.620.5207 PORTAFAROS SOLO C/CALCA AZUL 2007 (PINTADO)       | 47 0/000.460.1182 (BOLSA 5 uds) TLLLO.ESPECIAL PLAST.M6 X 15     |
| 1 0/000.620.5218 PORTAFAROS S/OPTICA PINTADO AZUL 2008             | 48 0/000.460.1192 TORNILLO PROTECTOR CUBRECADENA                 |
| 1 0/000.620.5201 PORTAFAROS DEL. MRX NARANJA                       | 49 0/000.440.5000 (BOLSA 5 uds) ARANDELA DE PLASTICO M6 6.2 X 14 |
| 1 0/000.620.5208 PORTAFAROS S/OPTICA PINTADO NARANJA RMX SPIKE     | 52 0/000.570.5128 PLACA LATERAL DERECHA PEQUENA                  |
| 1 0/000.620.5219 PORTAFAROS S/OPTICA PINTADO NARANJA 2008          | 53 0/000.570.5129 PLACA LATERAL IZQUIERDA PEQUENA                |
| 1 0/000.620.5209 PORTAFAROS S/OPTICA PINTADO ROJO RMX SPIKE 200    | 54 0/000.630.0530 REFLECTOR                                      |
| 1 0/000.620.5201 PORTAFAROS DEL. MRX NEGRO                         | 60 0/000.680.5020 BAND GUIDE                                     |
| 3 0/000.570.5210 PLACA RAD.DERECHA RMX ROJO 2007 (PINTADO)         |  |
| 3 0/000.570.5204 R/H RADIATOR PANEL ORANGE                         |  |
| 3 0/000.570.5152 PLACA RAD.DER.PINTADA NARANJA RMX SPIKE 2007      |  |
| 3 0/000.570.5206 PLACA RADIADOR DERECHA RMX AZUL 2007 (PINTADO)    |  |
| 3 0/000.570.5200 R/H RADIATOR PANEL BLUE                           |  |
| 3 0/000.570.5208 PLACA RADIADOR DERECHA RMX NEGRO 2007 (PINTADO)   |  |
| 3 0/000.570.5202 R/H RADIATOR PANEL BLACK                          |  |
| 4 0/000.050.5131 FRONT MUDGUARD ORANGE                             |  |
| 4 0/000.050.5132 GUARDABARROS DEL.RMX ROJO 2007 (PINTADO)          |  |
| 4 0/000.050.5146 GUARDABARROS DEL.NARANJA PINTADO SMX/2007         |  |
| 4 0/000.050.5121 FRONT MUDGUARD BLACK                              |  |
| 4 0/000.050.5122 GUARDABARROS DEL. RMX NEGRO 2007 (PINTADO)        |  |
| 4 0/000.050.5101 FRONT MUDGUARD BLUE                               |  |
| 4 0/000.050.5102 GUARDABARROS DEL.RMX AZUL 2007 (PINTADO)          |  |
| 6 0/000.570.5153 PLACA RAD.IZQ.PINTADA NARANJA RMX SPIKE 2007      |  |
| 6 0/000.570.5205 L/H RADIATOR PANEL ORANGE                         |  |
| 6 0/000.570.5207 PLACA RADIADOR IZQUIERDA RMX AZUL 2007 (PINTADO)  |  |
| 6 0/000.570.5201 L/H RADIATOR PANEL BLUE                           |  |
| 6 0/000.570.5209 PLACA RADIADOR IZQUIERDA RMX NEGRO 2007 (PINTADO) |  |
| 6 0/000.570.5203 L/H RADIATOR PANEL BLACK                          |  |
| 6 0/000.570.5211 PLACA RAD.IZQUIERDA RMX ROJO 2007 (PINTADO)       |  |
| 7 0/000.570.5124 PLACA LATERAL DER.GRANDE RMX/SMX ROJA 2007 (PI    |  |
| 7 0/000.570.5126 PLACA LATERAL DER.GRANDE RMX/SMX NEGRO 2007 (P    |  |
| 7 0/000.570.5126 R/H REAR PANEL BLACK                              |  |
| 7 0/000.570.5122 PLACA LATERAL DER.GRANDE RMX/SMX AZUL 2007 (PI    |  |
| 7 0/000.570.5122 R/H REAR PANEL BLUE                               |  |
| 7 0/000.570.5130 R/H REAR PANEL ORANGE                             |  |
| 7 0/000.570.5154 PLACA LAT.DER.GRAN.PINTADA NARANJA RMX SPIKE 2    |  |
| 8 0/000.360.5002 PROTECTOR   |  |
| 9 0/000.040.5200 SEAT BLACK  |  |
| 10 0/000.570.5155 PLACA LAT.IZQ.GRAN. PINTADA NARANJA RMX SPIKE    |  |
| 10 0/000.570.5125 PLACA LATERAL IZQ.GRANDE RMX/SMX ROJA 2007 (PI   |  |
| 10 0/000.570.5131 L/H REAR PANEL ORANGE                            |  |
| 10 0/000.570.5123 L/H REAR PANEL BLUE                              |  |
| 10 0/000.570.5123 PLACA LATERAL IZQ.GRANDE RMX/SMX AZUL 2007 (PI   |  |
| 10 0/000.570.5127 PLACA LATERAL IZQ.GRANDE RMX/SMX NEGRA 2007 (P   |  |
| 10 0/000.570.5127 L/H REAR PANEL BLACK                             |  |
| 11 0/000.060.5223 GUARDABARROS TRAS.RMX NEGRO 2007 (PINTADO)       |  |
| 11 0/000.060.5201 REAR MUDGUARD BLUE                               |  |
| 11 0/000.060.5202 GUARDABARROS TRAS.RMX AZUL 2007 (PINTADO)        |  |
| 11 0/000.060.5012 GUARDA. TRAS. PIN/NARANJA RMX SPIKE 2007         |  |
| 11 0/000.060.5180 REAR MUDGUARD ORANGE                             |  |
| 11 0/000.060.5181 GUARDABARROS TRAS.RMX ROJO 2007 (PINTADO)        |  |
| 11 0/000.060.5221 REAR MUDGUARD BLACK                              |  |
| 12 0/000.220.0510 SPROCKET COVER                                   |  |
| 17 0/000.060.5100 REAR LAMP SUPPORT                                |  |
| 23 0/000.340.0170 (BOLSA 5 uds) TUERCA M6 AUTOBL/DIN6926/JS500     |  |
| 24 0/000.340.5100 (BOLSA 5 uds) TUERCA RAPIDA M5                   |  |
| 25 0/000.460.1170 (BOLSA 5 uds) TLLLO.DE PLASTICO M6X16 RS1        |  |
| 28 0/000.460.0600 (BOLSA 5 uds) TLLLO 6921-G8.8 JS500 M6X16        |  |
| 29 0/000.630.0550 REFLECTOR  |  |
| 30 0/000.440.0400 WASHER   |  |
| 37 0/000.200.0301 CHAIN GUARD                                      |  |
| 38 0/000.440.5000 (BOLSA 5 uds) ARANDELA DE PLASTICO M6 6.2 X 14   |  |
| 39 0/000.460.1180 (BOLSA 5 uds) TLLLO.ESPECIAL PLAST. M6X17.5 RS1  |  |



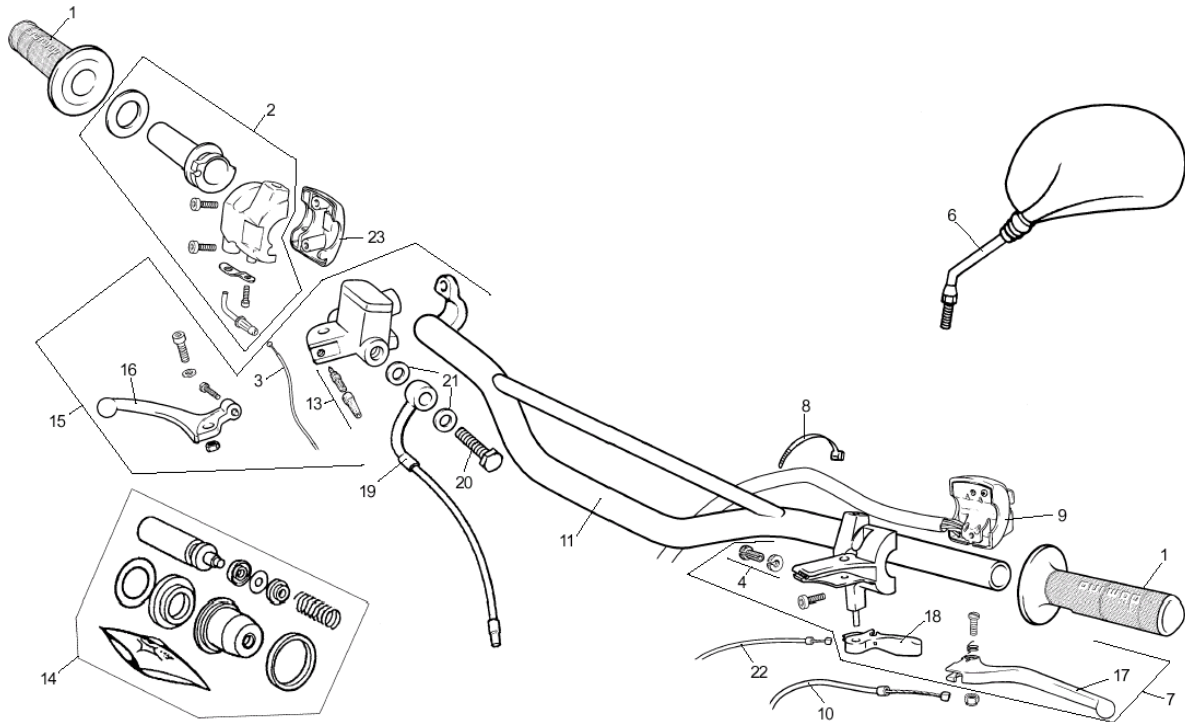
03 RRX\k6d\DEPOSIT, ESCAPE TUBE AND RADIATOR

- 1 0/005.082.0334 ENGINE
- 2 0/000.290.5010 COMPLETE EXHAUST PIPE
- 3 0/000.680.0501 CLIP
- 4 0/000.260.0240 EXHAUST CONNECTOR
- 5 0/000.870.5003 SILENCER
- 6 0/000.350.5000 AIR FILTER COVER
- 7 0/001.070.5000 FILTER ELEMENT
- 8 0/000.910.5100 FILTER CASE BODY
- 9 0/000.360.5000 AIR FILTER CONNECTOR
- 10 0/000.680.0060 CLIP
- 11 0/000.680.5001 CLIP
- 12 0/000.360.0460 EXHAUST MOUNT
- 13 0/000.470.6010 PROTECTOR
- 14 0/005.460.1070 EXHAUST SPRING
- 15 0/000.290.0420 OIL PIPE
- 16 0/000.680.0510 HOSE CLIP
- 17 0/000.290.0420 FUEL PIPE
- 18 0/000.680.0520 CLIP
- 19 0/000.360.5004 FILTER DRAIN PIPE
- 20 0/000.980.5002 FILTER ELEMENT SUPPORT
- 21 0/000.030.5002 OIL TANK
- 22 0/000.410.0600 OIL TANK CAP
- 23 0/000.410.5000 OIL LEVEL SENSOR
- 24 0/000.200.5100 PLATE
- 25 0/000.980.5008 PLATE
- 26 0/000.220.5000 RADIATOR COVER
- 27 0/000.640.5000 HOSE SET
- 28 0/000.290.0630 RADIATOR VENT PIPE
- 29 0/000.580.5000 RIEJU RADIATOR
- 29 0/000.580.5000 KTM RADIATOR
- 30 0/000.410.5101 KTM RADIATOR CAP
- 30 0/000.410.5100 RIEJU RADIATOR CAP
- 31 0/000.030.5001 FUEL TANK
- 32 0/000.410.0500 FUEL TANK CAP
- 32 0/000.410.0502 FUEL TANK CAP WITH KEY (OPTIONAL)
- 33 0/000.290.0570 ELIMINATED OF PRODUCTION. IT IS NOT POSSIBLE T
- 34 0/000.370.0440 OIL PIPE UNION
- 35 0/000.370.0500 FUEL TAP
- 36 0/005.430.5002 KICK START LEVER
- 37 0/005.430.0030 GEAR PEDAL
- 38 0/000.220.1000 PROTECTOR
- 39 0/000.680.0550 HOSE CLIP
- 40 0/000.680.0535 HOSE CLIP
- 41 0/000.660.2020 EXHAUST PLATE
- 42 0/000.460.1180 (BOLSA 5 uds) TLL0.ESPECIAL PLAST. M6X17.5 RS1
- 43 0/000.460.1190 (BOLSA 5 uds) TLL0.ESPECIAL PLAST.ESP/7380 M6X
- 44 0/000.820.5000 CATALYST
- 45 0/000.460.0610 (BOLSA 5 uds) TLL0. 6921-G8.8 JS500 M6X20
- 46 0/000.440.0130 (BOLSA 5 uds) ARANDELA LIS.6,5x17x1,5 TT-KS
- 47 0/000.460.0600 (BOLSA 5 uds) TLL0 6921-G8.8 JS500 M6x16
- 48 0/000.460.0480 SCREW M8 X 50
- 49 0/000.340.0180 (BOLSA 5 uds) TUERCA M8 AUTOBL/DIN6926/JS500
- 50 0/000.340.0170 (BOLSA 5 uds) TUERCA M6 AUTOBL/DIN6926/JS500
- 51 0/000.460.0800 SCREW M4 X 8
- 52 0/000.490.2000 (BOLSA 5 uds) JUNTA ESCAPE ESP.1.2 MOD/EUROPE
- 53 0/000.640.0001 VALVE AIS OUT PARALLEL
- 54 0/000.640.5001 VALVE PIPE SET
- 55 0/000.680.0534 LOCK. CLAMP
- 56 0/000.440.0131 LOCK. WASHER
- 57 0/000.460.0300 (BOLSA 5 uds) TLL0 DIN 912 JS500 M6x16
- 58 0/000.220.0562 PROTECTION
- 59 0/000.460.1189 (BOLSA 5 uds) TLL0 ESPECIAL PLAST.M6X9
- 60 0/000.340.6000 (BOLSA 5 uds) TUERCA RAPIDA FIJACION ADORNA ES
- 61 0/000.660.5003 PLATINA FIJ. CUBRE AMORTIGUADOR
- 61 0/000.630.0550 PROTECTION



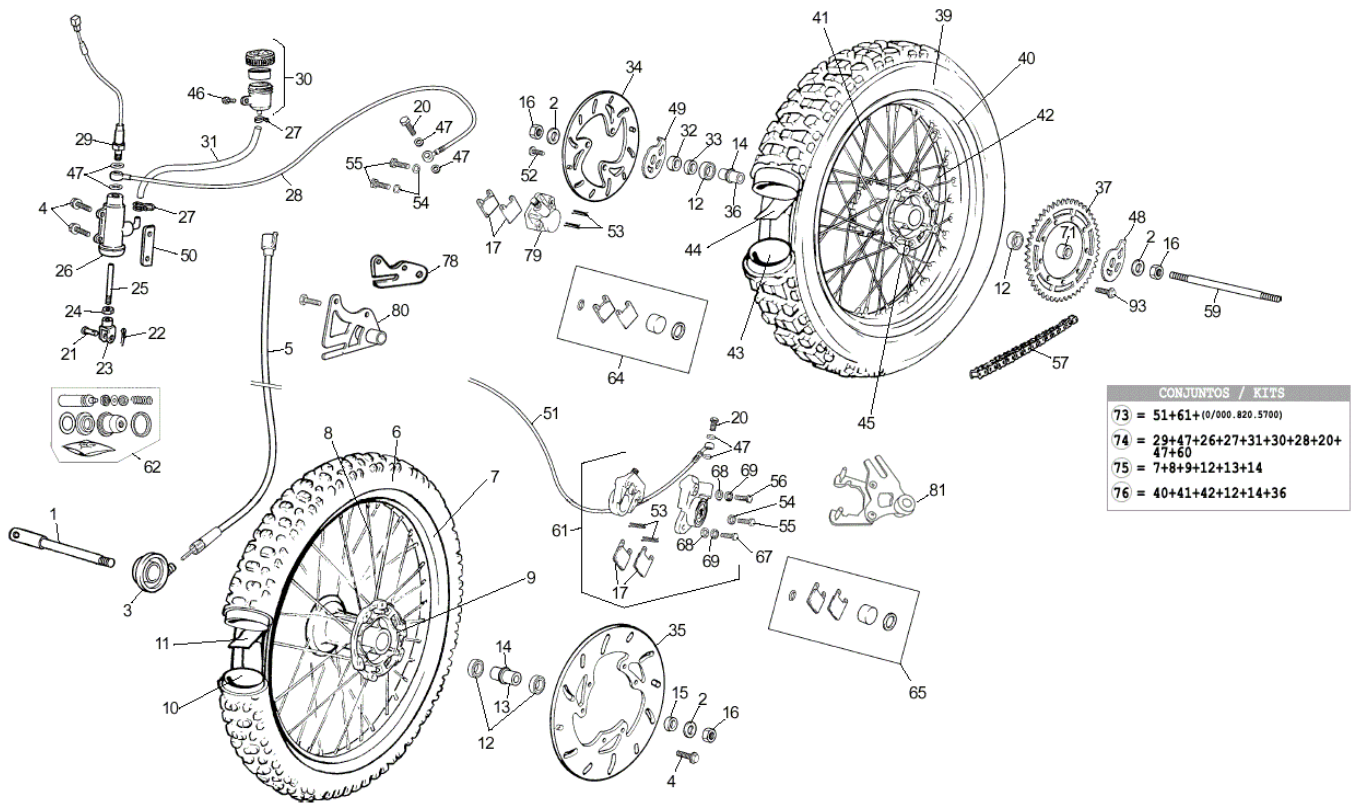
04 RRX\k6d\SYSTEM ELECTRICS AND LIGHTS

- 1 0/001.000.2071 INSTRUMENT CONSOL ASSY
- 4 0/001.060.0041 IGNITION KEY AND STEERING LOCK
- 5 0/000.980.5004 CABLE SUPPORT
- 6 0/000.160.5000 WIRING HARNESS
- 8 0/000.160.5003 LOOM
- 9 0/001.200.5031 WINKER RELAY
- 10 0/005.070.4725 REGULATOR DUCATI
- 11 0/005.070.2005 H. T. COIL
- 12 0/005.110.2022 PLUG CAP
- 13 0/000.630.5001 REAR LIGHT LENS
- 14 0/000.850.0220 BULB
- 15 0/000.980.5010 TAIL LIGHT BASE
- 16 0/000.150.2000 TAIL LIGHT COMP.
- 17 0/000.600.0251 HEADLIGHT
- 18 0/000.850.0055 BULB
- 19 0/000.620.0500 BULB HOLDER
- 20 0/000.360.0760 BULB COVER
- 21 0/000.150.8001 LEFT INDICATOR (FRAM.GT 619630)
- 21 0/000.150.2200 INDICATOR (FRAM.LT 619629)
- 22 0/000.150.8000 RIGHT INDICATOR (FRAM.GT 619630)
- 22 0/000.150.2100 INDICATOR (FRAM.LT 619629)
- 23 0/000.420.5000 HORN
- 24 0/000.720.0070 STOP SWITCH
- 24 0/000.640.7208 FRONT BRAKE STOP SWITCH FOR J.JUAN PUMP
- 25 0/000.460.1150 TORNILLO TEMP 112c
- 25 0/000.460.1151 TORNILLO TAPON SONDA TEMP.
- 32 0/000.460.5200 (BOLSA 5 uds) TORNILLO DIN 7981 Q4.2 X 32
- 33 0/000.460.1170 (BOLSA 5 uds) TILLO DE PLASTICO MX16 RS1
- 34 0/000.460.0100 (BOLSA 5 uds) TILLO.FIJO.OPTICA C/PORTAF RR/LIM
- 35 0/000.360.0490 CUSHION
- 36 0/005.822.2419 MAGNETO
- 37 0/000.460.0340 SCREW M8 X 20
- 38 0/000.460.0600 (BOLSA 5 uds) TILLO 6921-G8.8 JS500 M6x16
- 39 0/000.680.0070 ELIMINATED OF PRODUCTION. IT IS NOT POSSIBLE T
- 40 0/000.460.0622 SCREW M6 X 35
- 41 0/000.360.0840 SUPPORT RUBBER



05 RRX\k6d\MANILLARES AND CONTROLS

- 1 0/000.530.5010 HANDLEBAR GRIPS
- 2 0/000.530.5000 TWIST GRIP ASSY
- 3 0/000.550.5004 COMPLETE GAS CABLE
- 3 0/000.550.5005 COMPLETE GAS CABLE FOR PRICOL OIL PUMP
- 4 0/000.640.5700 CABLE ADJUSTER
- 5 0/000.990.5001 R/H MIRROR
- 5 0/000.990.8000 R/H MIRROR
- 6 0/000.990.5000 L/H MIRROR
- 6 0/000.990.8001 L/H MIRROR
- 7 0/000.830.5001 CLUTCH LEVER ASSY (FRAM.GT 514073)
- 7 0/000.830.5000 CLUTCH LEVER ASSY (FRAM.LT 514072)
- 8 0/000.680.0070 ELIMINATED OF PRODUCTION. IT IS NOT POSSIBLE T
- 9 0/000.720.5000 HANDLEBAR SWITCH
- 10 0/000.550.5003 CLUTCH CABLE
- 11 0/000.170.5000 HANDLEBAR
- 13 0/000.640.7208 FRONT BRAKE STOP SWITCH FOR J.JUAN PUMP
- 13 0/000.720.0070 STOP LIGHT SWITCH
- 14 0/000.640.0451M/ CYLINDER REPAIR KIT
- 15 0/000.820.0312 MASTER CYLINDER ASSY (FRAM.GT 514073)
- 15 0/000.820.0305 MASTER CYLINDER ASSY (FRAM.LT 514072)
- 16 0/000.830.1001 FRONT BRAKE LEVER (FRAM.GT 514073)
- 16 0/000.830.1000 FRONT BRAKE LEVER (FRAM.LT 514072)
- 17 0/000.830.0310 CLUTCH LEVER (FRAM.LT 514072)
- 17 0/000.830.1002 CLUTCH LEVER (FRAM.GT 514073)
- 18 0/000.830.5110 SINGLE STARTER LEVER
- 19 0/000.290.0257 BRAKE HOSE FRONT AJP
- 19 0/000.290.5201 BRAKE HOSE CASTROL
- 20 0/000.460.1300 (BOLSA 5 uds) TILLO.RACORD TUBO F.D.BREBMO
- 21 0/000.440.1040 (BOLSA 5 uds) ARANDELA JUNTA FRENO DISCO
- 22 0/000.550.5002 CHOKE CABLE
- 23 0/000.350.5001 CAP

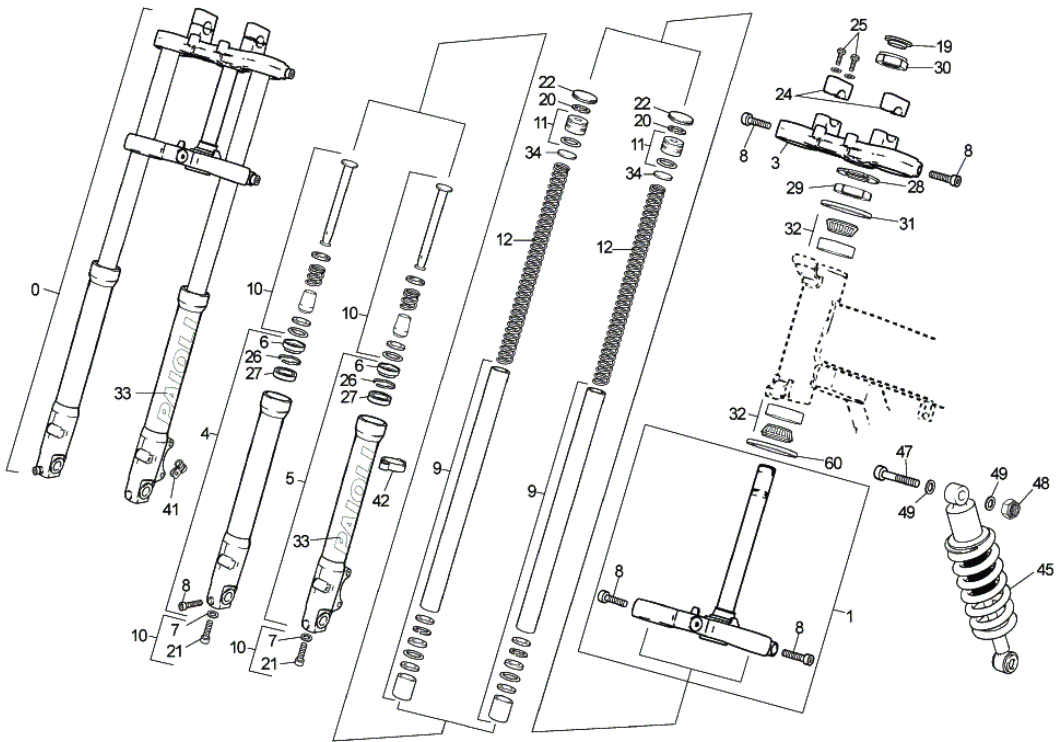


06 RRX\k6d\WHEELS AND CONTROLS

- 1 0/000.190.5100 FRONT WHEEL SPINDLE
- 2 0/000.440.0123 (BOLSA 5 uds) ARANDELA PLANA DE 15
- 3 0/001.010.5000 ELIMINATED OF PRODUCTION. IT IS NOT POSSIBLE T
- 4 0/000.460.0610 (BOLSA 5 uds) T.LLO. 6921-G8.8 JS500 M6X20
- 5 0/000.550.5000 SPEEDO CABLE
- 6 0/000.510.0500 TYRE 80/90 - 21
- 7 0/000.230.0800 FRONT WHEEL RIM (FRAM.LT 722179)
- 7 0/000.230.1142 FRONT WHEEL RIM (FRAM.GT 722180)
- 8 0/000.540.5005 SPOKE (FRAM.GT 722180)
- 8 0/000.540.5000 SPOKE (FRAM.LT 722179)
- 9 0/000.070.0120 FRONT HUB
- 10 0/000.520.0500 FRONT INNER TUBE
- 11 0/000.220.0080 FRONT RIM TAPE
- 12 0/000.960.0050 BEARING 6202
- 13 0/000.480.5006 SPACER BEARINGS
- 14 0/000.360.5410 SPACER
- 15 0/000.480.5000 SPACER
- 16 0/000.340.0300 (BOLSA 5 uds) TCA.FIJ.EJE CARRETE MTHON
- 17 0/000.930.0060 DISC PADS (FRAM.LT 723861)
- 17 0/000.930.0090 DISC PADS (FRAM.GT 723862)
- 20 0/000.460.1300 (BOLSA 5 uds) T.LLO.RACORD TUBO F.D.BREMBO
- 21 0/000.840.0090 BRAKE LEVER HOIST
- 22 0/000.840.0060 SPLIT PIN
- 23 0/000.130.0150 SHACKLE
- 24 0/000.340.0130 (BOLSA 5 uds) TUERCA ZINCADA M6 DIN 934.8
- 25 0/000.240.5000 ROD
- 26 0/000.820.0310 REAR MASTER CYLINDER
- 27 0/000.680.0500 CLIP
- 28 0/000.290.0249 REAR BRAKE HOSE (FRAM.GT 723862)
- 28 0/000.290.5202 REAR BRAKE HOSE (FRAM.LT 723861)
- 29 0/000.720.0075 STOP LIGHT SWITCH REAR
- 30 0/000.030.0170 BRAKE RESERVOIR
- 31 0/000.290.0243 FLUID HOSE
- 32 0/000.480.5012 SPACER 10,5
- 33 0/000.480.5011 SPACER 7,5
- 34 0/001.090.0250 REAR DISC 202 mm MRX
- 35 0/001.090.0200 FRONT DISC 260 mm MRX
- 36 0/000.480.5007 SPACER
- 37 0/000.500.5001 FRICTION PLATE Z52
- 39 0/000.510.0510 REAR TYRE 110/80-18
- 40 0/000.230.0850 REAR RIM (FRAM.LT 722179)
- 40 0/000.230.1132 REAR RIM (FRAM.GT 722180)
- 41 0/000.540.5001 SPOKE R/H
- 42 0/000.540.5002 SPOKE L/H
- 43 0/000.520.0510 REAR INNER TUBE
- 44 0/000.220.0060 RIM TAPE
- 45 0/000.080.0120 REAR HUB
- 46 0/000.460.0600 (BOLSA 5 uds) T.LLO 6921-G8.8 JS500 M6X16
- 47 0/000.440.1040 (BOLSA 5 uds) ARANDELA JUNTA FRENO DISCO
- 48 0/000.380.5001 CHAIN ADJ. L/H
- 49 0/000.380.5000 CHAIN ADJ. R/H
- 50 0/000.980.5007 MOUNTING PLATE
- 51 0/000.290.0257 BRAKE HOSE FRONT AJP
- 52 0/000.460.0670 (BOLSA 5 uds) T.LLO 6921-G8.8 JS500 M8X25
- 53 0/000.640.0110 DISC CLIP
- 54 0/000.440.0180 WASHER
- 55 0/000.460.0470 SCREW M8 X 40
- 56 0/000.460.0490 SCREW M8 X 55
- 57 0/001.050.0201 CHAIN COMPLET
- 59 0/000.190.5200 REAR WHEEL SPINDLE
- 61 0/000.860.5110 FRONT CALIPER (FRAM.GT 723862)
- 61 0/000.860.5011 FRONT CALIPER (FRAM.LT 723861)
- 62 0/000.640.0470M/CYL. REPAIR KIT REAR
- 64 0/000.640.0453 CALIPER REPAIR KIT REAR (FRAM.GT 723862)
- 64 0/000.640.0420 CALIPER REPAIR KIT REAR (FRAM.LT 723861)
- 65 0/000.640.0453 CALIPER REPAIR KIT FRONT (FRAM.LT 723862)

- 65 0/000.640.0420 CALIPER REPAIR KIT FRONT (FRAM.LT 723861)
- 68 0/000.440.0160 (BOLSA 5 uds) ARANDELA LIS.8,5x17x1.25 GT-TT
- 69 0/000.440.0180 WASHER 8.5 X 14 X 3
- 71 0/000.480.5004 SPACER
- 73 0/000.820.0711 COMPLETE FRONT BRAKE SYSTEM SET (FRAM.GT 51407)
- 73 0/000.820.0713 COMPLETE FRONT BRAKE SYSTEM SET (FRAM.GT 72386)
- 73 0/000.820.0710 COMPLETE FRONT BRAKE SYSTEM SET (FRAM.LT 72386)
- 74 0/000.820.0761 COMPLETE REAR BRAKE SYSTEM SET (FRAM.GT 51407)
- 74 0/000.820.0763 COMPLETE REAR BRAKE SYSTEM SET (FRAM.GT 72386)
- 74 0/000.820.0522 COMPLETE REAR BRAKE SYSTEM SET (FRAM.LT 72386)
- 75 0/000.110.5420 FRONT WHEEL W/SPO AND SOCK. (FRAM.GT 722180)
- 76 0/000.120.5420 REAR WHEEL W/SPO AND SOCK. (FRAM.GT 722180)
- 76 0/000.120.5410 REAR WHEEL W/SPO AND SOCK. (FRAM.LT 722179)
- 78 0/000.980.0743 REAR BRAKE PINCER BRACKET (FRAM.GT 723862)
- 79 0/000.860.5101 REAR BRAKE PINCER (FRAM.GT 723862)
- 79 0/000.860.0012 REAR BRAKE PINCER (FRAM.LT 723861)
- 80 0/000.980.0750 SOPORTE PINZA FRENO TRASERO (FRAM.GT 723862)
- 81 0/000.980.0744 SOPORTE PINZA FRENO DELANTERO
- 93 0/000.460.0672 SCREW DIN 6921 M8X35

CONJUNTOS / KITS	
73	= 51+61+(0/000.820.5700)
74	= 29+47+26+27+31+30+28+20+47+60
75	= 7+8+9+12+13+14
76	= 40+41+42+12+14+36

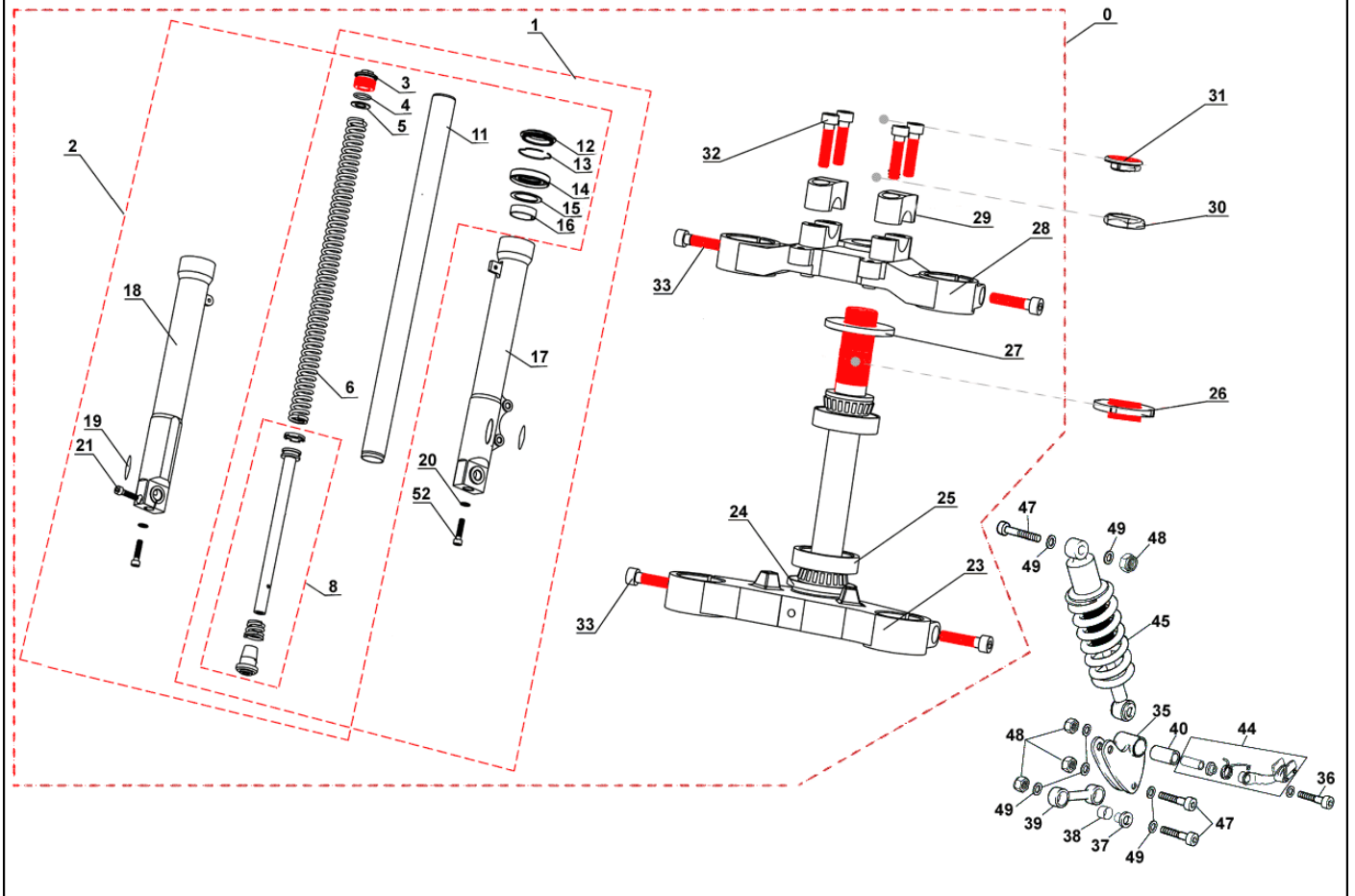


07 RRX\k6d\SUSPENSION

- 0 0/000.130.6000 FORKS COMPLETE
- 1 0/000.660.6003 LOWER YOKE
- 3 0/000.660.6002 UPPER YOKE
- 4 0/000.880.6000R / H FORK LEG ASSY
- 5 0/000.880.6001L / H FORK LEG ASSY
- 6 0/000.890.6001 SEAL
- 7 0/000.440.0180 WASHER
- 8 0/000.460.0350 BOLT
- 9 0/000.290.6100 FORK INNER TUBE
- 10 0/000.290.6101 VALVE ASSY
- 11 0/000.640.6004 BUFFER
- 12 0/000.470.6100 FORK SPRING
- 19 0/000.410.6001 PLUG
- 20 0/000.300.6000 CIRCLIP
- 22 0/000.410.6000 PLUG
- 24 0/000.350.6003 CLAMP
- 25 0/000.460.0352 BOLT
- 26 0/000.300.6001 CIRCLIP
- 27 0/000.890.6002 OIL SEAL
- 28 0/000.440.0050 (BOLSA 5 uds) ARAND.TUERCA TIJA Q35 X 25 X 1
- 29 0/000.340.6001 NUT
- 30 0/000.340.6002 NUT
- 31 0/000.200.7000 COVER
- 32 0/000.960.0200 STEERING BEARING
- 33 0/000.390.5201 DECAL
- 34 0/000.480.6200 SPACE SPRING
- 41 0/000.680.0300 CLIP
- 42 0/000.680.6001 GUIDE
- 42 0/000.480.5005 SPACER
- 43 0/000.470.5004 SPRING
- 45 0/000.180.0701 SHOCK
- 47 0/000.460.0402 (BOLSA 5 uds) TLLLO DIN 912 JS500 M10x50
- 48 0/000.340.0182 (BOLSA 5 uds) TUERCA M10 AUTOBL/DIN6926/JS500
- 49 0/000.440.0110 (BOLSA 5 uds) ARANDELA BIS 10x24x1.5
- 50 0/000.640.6000R / H FORK LEG COMPLETE
- 50 0/000.640.5500 COMPLETE RIGHT HALF SUSPENSION KIT
- 51 0/000.640.5510 COMPLETE LEFT HALF SUSPENSION KIT
- 51 0/000.640.6001L / H FORK LEG COMPLETE
- 60 0/000.200.7001 LOWER STEERING DUST COVER

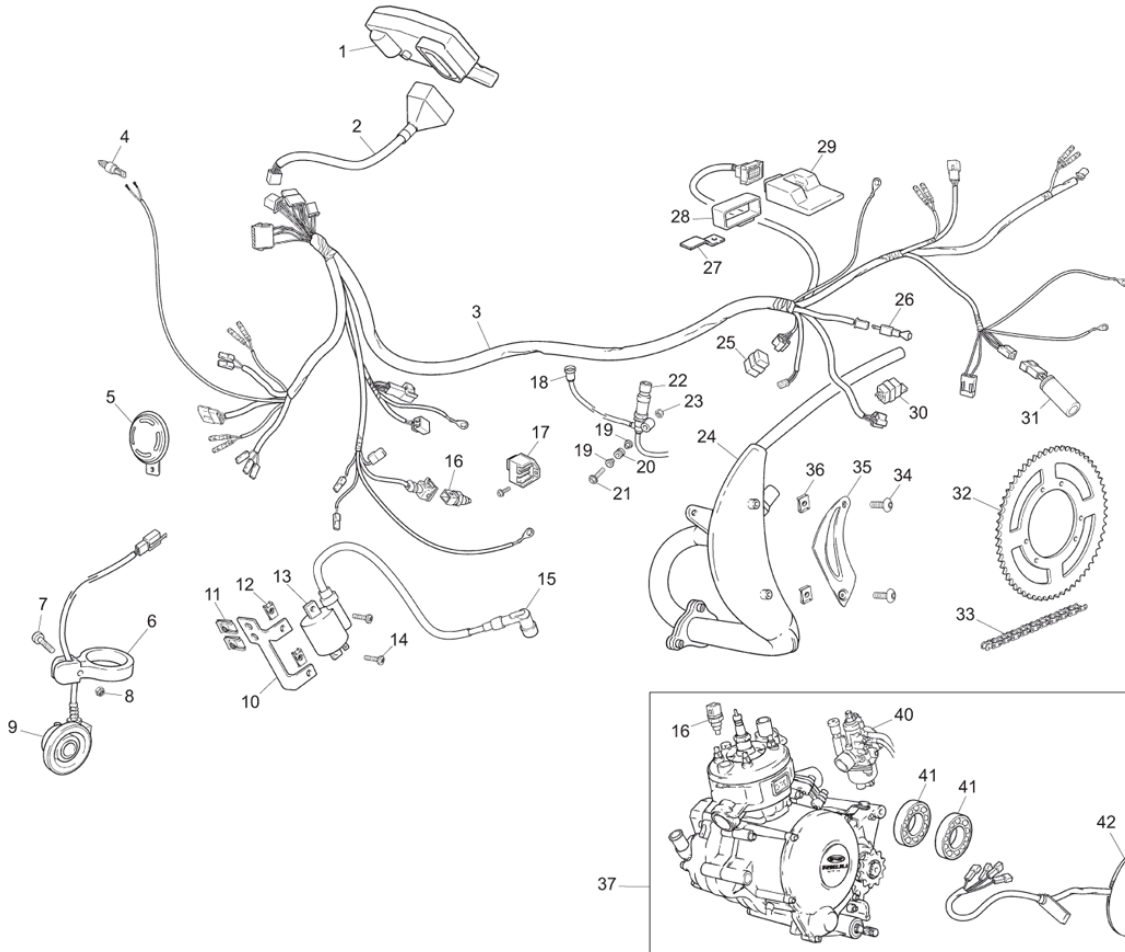


PT 106



08 RRX\k6d\SUSPENSION

- 0 0/000.130.6000 SUBSTITUTION FORK KIT
- 1 0/000.640.6006 L / H FORK LEG COMPLETE
- 2 0/000.640.6005 R / H FORK LEG COMPLETE
- 3 0/000.410.8001 BUFFER
- 4 0/000.300.6005 CIRCLIP
- 5 0/000.480.6201 SPACE SPRING
- 6 0/000.470.6103 FORK SPRING
- 8 0/000.290.6105 VALVE ASSY
- 11 0/000.290.6104 FORK INNER TUBE
- 12 0/000.890.6005 SEAL
- 13 0/000.300.6004 CIRCLIP
- 14 0/000.890.6006 OIL SEAL
- 15 0/000.440.0183 ARANDELA TOPE RETEN HORQ.
- 16 0/000.480.6202 SEPARADOR GUIA TUBO PIERNA HORQUILLA
- 17 0/000.880.6004 L / H FORK LEG ASSY
- 18 0/000.880.6005 R / H FORK LEG ASSY
- 19 0/000.390.5203 DECAL
- 20 0/000.440.0181 WASHER
- 21 0/000.460.0350 BOLT DIN 912 M 8x35
- 23 0/000.660.6006 LOWER YOKE
- 24 0/000.200.7001 COVER
- 25 0/000.960.0200 STEERING BEARING
- 26 0/000.340.6001 NUT
- 27 0/000.200.7000 COVER
- 28 0/000.660.6007 UPPER YOKE
- 29 0/000.350.6003 CLAMP
- 30 0/000.340.6002 NUT
- 31 0/000.200.7000 COVER
- 32 0/000.460.0352 BOLT
- 33 0/000.460.0350 BOLT
- 35 0/000.980.0630 GUIDE
- 36 0/000.460.0407 BOLT
- 37 0/000.260.0221 COLLAR
- 38 0/000.260.0230 BUSH
- 39 0/000.770.0104 SPECIAL LINK 125 / 50
- 40 0/000.360.0370 BUSH
- 44 0/000.380.6000 TENSIONER ASSY
- 44 0/000.380.5002 TENSIONER ARM
- 45 0/000.180.0702 SHOCK
- 47 0/000.460.0402 (BOLSA 5 UDS) TILLO DIN 912 JS500 M10X50
- 48 0/000.340.0182 (BOLSA 5 UDS) TUERCA M10 AUTOBL/DIN6926/JS500
- 49 0/000.440.0110 (BOLSA 5 UDS) ARANDELA BIS 10X24X1.5
- 50 0/000.640.5500 ELIMINATED OF PRODUCTION. IT IS NOT POSSIBLE T
- 51 0/000.640.5510 ELIMINATED OF PRODUCTION. IT IS NOT POSSIBLE T
- 52 0/000.460.0401 TORNILLO DIN 912 M10x35



09 RRX\k6d\POWER-UP

- 1 0/K01.000.2090 TABLIER DIGITAL MAE (SUBSTITUTION KIT)
- 2 0/000.160.2092 ODOMETER INSTALLATION POWER-UP
- 3 0/000.160.5121 ELECTRICAL INSTALLATION MRS/SMX POWER
- 4 0/000.720.0070 STOP SWITCH
- 5 0/000.420.5010 HORN SMX/NAKED
- 6 0/000.680.6001 TUBE GUIDE CLAMP F.D.MRX/SMX 125
- 7 0/000.460.0786 SCREW dia 7.985 M5X25
- 8 0/000.340.0172 NUT DIN 985 M5
- 9 0/001.010.7004 ELECTRONIC SIGNAL TRANSMISSION 12 IMP/TURN
- 10 0/000.980.5022 COIL BRACKET POWER UP
- 11 0/000.340.5102 QUICK NUT M6
- 12 0/000.340.5100 QUICK NUT M5
- 13 0/005.702.1500 HIGH-TENSION COIL POWER UP ENGINE
- 14 0/000.460.1170 PLASTIC SCREW M5X16 RS1
- 15 0/005.110.2022 SPARK PLUG CAP
- 16 0/005.560.1991 TEMPERATURE SENSOR POWER UP ENGINE
- 17 0/005.070.6006 REGULATOR FOR 3D6/2005 ENGINE
- 18 0/005.310.2433 SOLENOIDE SPACER POWER UP ENGINE
- 19 0/000.480.0711 SPACER Q14-8 X 5-1.3 HOLE 6.2
- 20 0/000.360.0490 SILEMBLOC RUBBER COVER RS1
- 21 0/000.460.0621 SCREW DIN 6921 M6 X 40 6 8.8 JS 500
- 22 0/005.707.0010 SOLENOIDE VALVE POWER UP ENGINE
- 23 0/000.340.0169 AUTOBLOC NUT M6/DIN 985/JS500
- 24 0/000.290.5050 BIG GUN EXHAUST MRX/SMX POWER-UP
- 25 0/001.200.5030 INDICATOR UNITS CENTRAL DIRECT CURRENT POWER
- 26 0/001.200.6015 DIODE INSTALLATION MRX/SMX POWER-UP
- 27 0/000.980.5021 ECU BRACKET POWER-UP
- 28 0/005.240.1454 ECU BRACKET RUBBER PAD POWER-UP ENGINE
- 29 0/005.705.3930 POWER-UP ENGINE ECU MRX
- 30 0/001.200.6002 CONTACT RELAY (40Ah)
- 31 0/001.200.6010 CONDENSER MRX/SMX POWER-UP (FRAM.LF 701153)
- 31 0/001.200.6011 CONDENSER (FRAM.CT 701154)
- 32 0/000.500.5010 DRIVEN PLATE Z/62 MRX/POWER-UP
- 33 0/001.050.0202 COMPLETE CHAIN KIT 132 LINKS RS2/DINAMA
- 34 0/000.460.1189 (5 UNITS/BAG) SPECIAL PLASTIC SCREW M6\*9
- 35 0/000.220.0562 BIG GUN STAINLESS EXHAUST RR/SPIKER 2005
- 36 0/000.340.6000 (5UNITS/BAG) FIXING NUT AD
- 37 0/005.082.0398 AM650 ENGINE FOR MRX EURO 2 K.S. POWER-UP
- 40 0/005.155.7151 PHBN CARBURETOR 16-NS/R (ASSORT.88)
- 41 0/005.510.2652 BALL BEARING 17X47X14 (6303/C3TN)
- 42 0/005.822.2544 COMPLETE FLYWHEEL ASSEMBLY FOR MRX