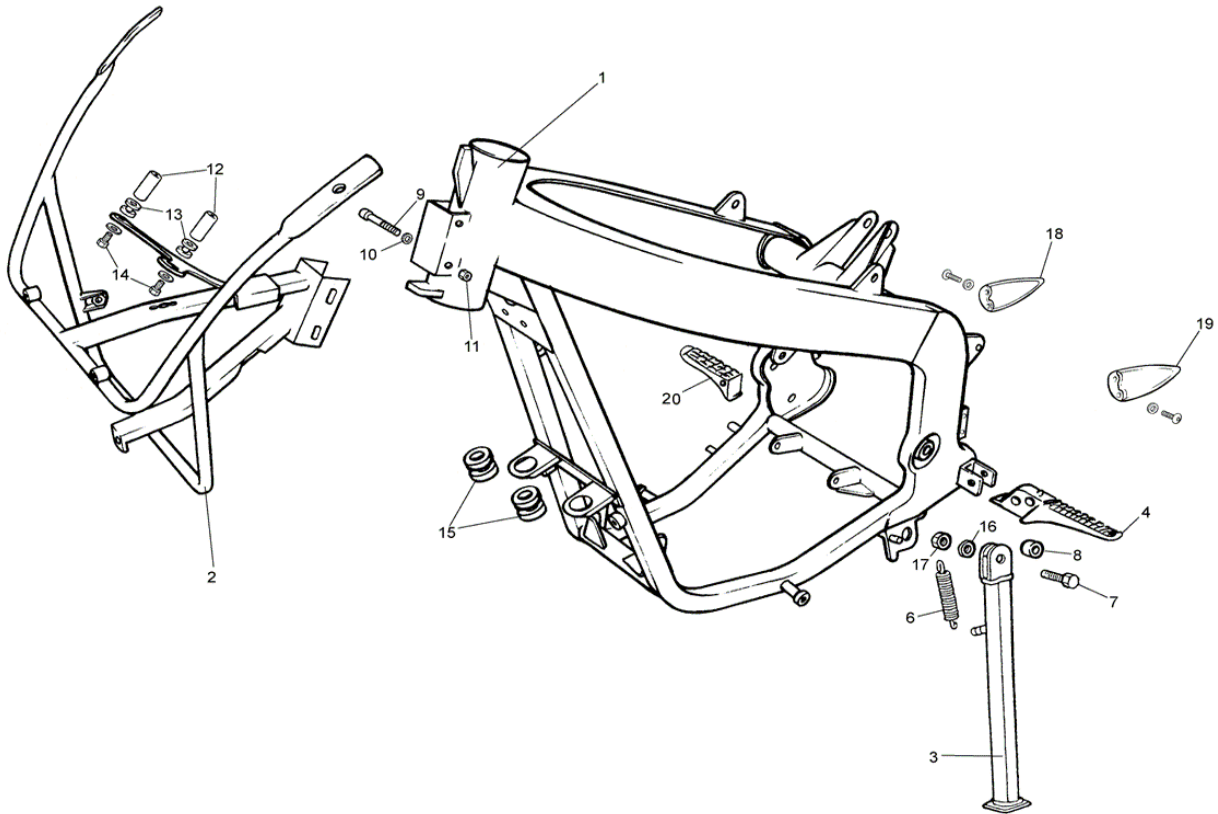


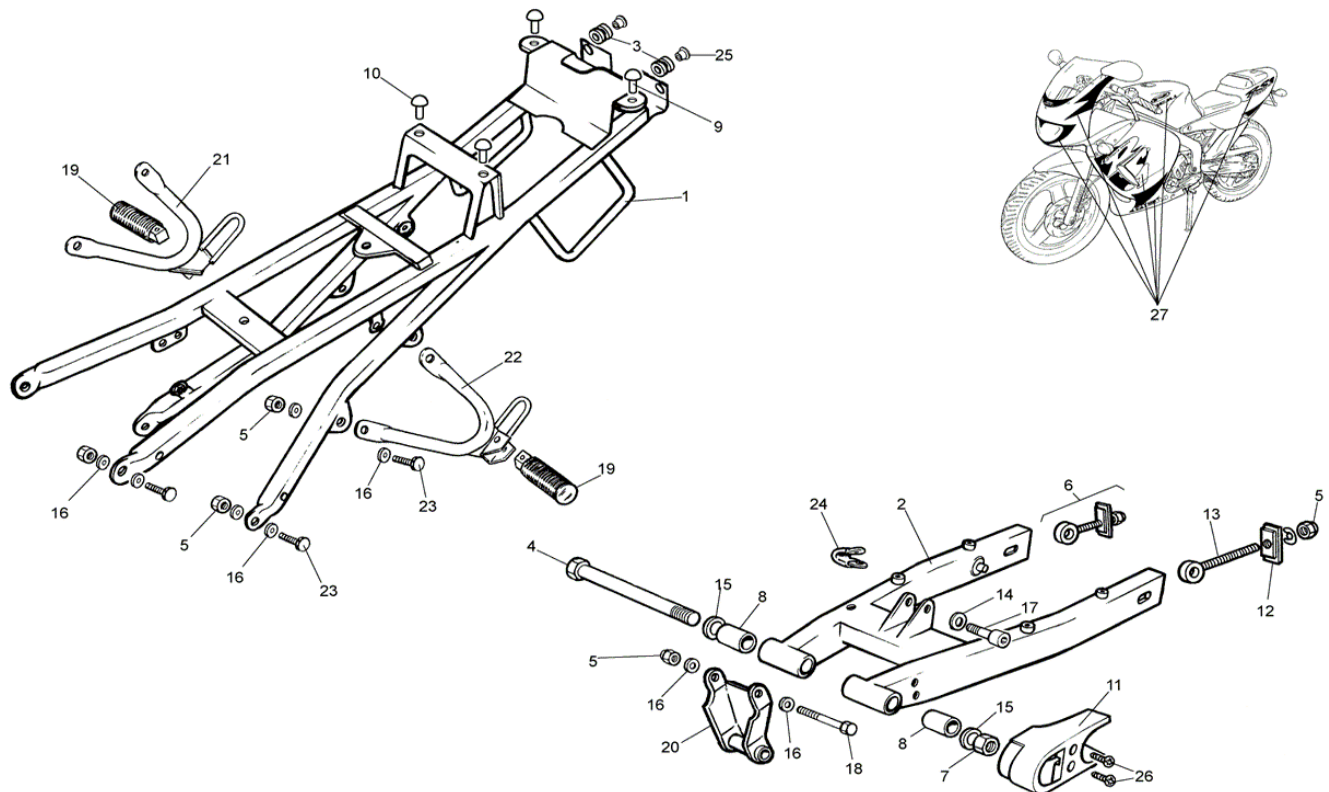
## 00 RS1\2r\ENGINE#8

- 99 0/005.090.0330 TREE
- 332 0/005.330.0217 FORK SENDS SELECTOR
- 333 0/005.330.0060 FORK CONTROL CHANGE 1a AND 3a
- 334 0/005.330.0070 FORK CONTROL CHANGE 2a AND 3a
- 335 0/005.330.0080 FORK CONTROL CHANGE 5a AND 6a
- 435 0/005.430.0320 WEIGH CLUTCH COMPLETE
- 657 0/005.650.1421 BRIDGE REGISTERS CABLE OIL PUMP PRICOL
- 657 0/005.650.1420 BRIDGE REGISTERS CABLE OIL PUMP
- 658 0/005.650.1410 BRIDGE CABLE CLUTCH
- 2467 0/005.240.2050 ENTERED MUFF DILUTES ON PUMP
- 2472 0/005.240.2117 INSERT VALVE OF SHEETS
- 2492 0/005.247.0547 PLUG FEEDING OIL
- 3551 0/005.350.3580 DISK LINED CLUTCH
- 4040 0/005.400.4787 INTERMEDIATE DOUBLE PINENUT Z = 13/24
- 4049 0/005.400.5757 PINENUT PUMP OILS
- 4610 0/005.460.1070 SPRING EXHAUST
- 4635 0/005.460.3510 SPRING RETAINS MARCH
- 4650 0/005.460.1967 SPRING RETAINS FORK SELECTOR
- 4655 0/005.460.2027 SPRING RETAINS LEVER SELECTOR
- 4660 0/005.460.2200 SPRING RECOVERY WEIGHS CLUTCH
- 4680 0/005.460.3010 WASHER-SPRING
- 5101 0/005.510.1029 CAGE OF ROLLERS DB 14-12
- 5106 0/005.510.1297 CAP FOR SELECTOR SPRING
- 5146 0/005.510.2039 BEARING 015 x 25 x 11
- 5148 0/005.510.2059 BEARING 017 x 40 x 12
- 5156 0/005.510.2159 BEARING 020 x 47 x 14
- 5172 0/005.510.2299 BEARING 017 x 40 x 12
- 5178 0/005.510.2652 BEARING 017 x 47 x 14
- 5181 0/005.510.4039 BALL 3/16"
- 5182 0/005.510.4079 BALL 09 MM
- 5308 0/005.530.1149 SPRING 019 x 1,2
- 5318 0/005.530.1329 SPRING OF RETENTION 011,8 x 2,4
- 5320 0/005.530.8020 (BOLSA 5 uds) JUNTA CILINDRO AM-5
- 5327 0/005.530.3640 (BOLSA 5 uds) JUNTA TAPA EMBRAGUE AM-5
- 5341 0/005.530.4000 (BOLSA 5 uds) JUNTA CUERPO BOMBA AGUA AM-5
- 5357 0/005.530.4710 SCREW GASKET
- 5358 0/005.530.4720 SCREW 6 x 12 OIL LEVEL GASKET
- 5359 0/005.530.4730 (BOLSA 5 uds) JUNTA FIBRA 8\*14
- 5361 0/005.530.4750 SCREW WATER EXIT 14,1 x 22 x 1 GASKET
- 5362 0/005.530.4790 NEUTRAL INDICATOR GASKET
- 5371 0/005.530.5019 (BOLSA 5 uds) RETEN DE 12\*22\*7 mm.
- 5372 0/005.530.5029 (BOLSA 5 uds) RETEN 15\*24\*5 mm.
- 5376 0/005.530.5069 (BOLSA 5 uds) RETEN DE 17\*35\*8
- 5395 0/005.530.5339 DETENT 10 x 18 x 8
- 5395 0/005.530.5339 (BOLSA 5 uds) RETEN 10\*18\*8 RST/80
- 5398 0/005.530.5379 (BOLSA 5 uds) RETEN 24x35x7 (VITON) LADO EMBR.
- 5603 0/005.560.0080 FASTENER BOMB DILUTES
- 5605 0/005.560.1460 BAR PUSHER CLUTCH 05 x 116,6
- 5611 0/005.560.2070 PIN
- 5612 0/006.050.0077 THERMOSTAT "BEHR THOMSON No 1085"
- 5615 0/005.560.2580 CRANKCASE GUIDE 011,5 x 12
- 5616 0/005.560.2610 CRANKCASE GUIDE 08,51 x 7,6
- 5636 0/005.560.9010 SHAFT 7,8 x 72
- 5637 0/005.560.9020 SHAFT 7,8 x 91,5
- 5645 0/005.560.3570 SWITCH DEAD POINT
- 5650 0/005.560.9777 SHAFT OIL PUMP
- 5653 0/005.560.9787 SHAFT
- 5661 0/005.560.4007 ROLLER 03 x 21,8 FOR PINENUT BOMB
- 5663 0/005.560.4017 ROLLER 04 x 10 BODY BOMB
- 5665 0/005.560.5510 PUSHER CLUTCH 013 IN HEAD
- 5670 0/005.560.6100 PISTON PIN
- 6013 0/005.600.1290 BODY BOMB DILUTES (FRAM.GT 832222)
- 6013 0/005.600.1280 BODY BOMB DILUTES (FRAM.LT 832221)
- 15270 0/005.150.6489 JOINT
- 15320 0/005.150.7690 BENT TUBE 40 GR. WITH SCREW AND NUT
- 49004 0/005.490.0479 BAND FOR TUBE OILS
- 49007 0/005.490.0269 BAND FOR ENTERED TUBE OILS TO THE BOMB
- 49009 0/005.490.1120 LOCKNUT 4 x 4 x 8
- 49010 0/005.490.1180 LOCKNUT 4 x 4 x 20 FOR SPROCKET
- 49015 0/005.490.1248 LOCKNUT 3 x 3,7 x 10 FLYWHEEL
- 49035 0/005.490.3059 METRIC NUT 7 x 5,5
- 49037 0/005.490.3570 (BOLSA 5 uds) TUERCA M1X1 AUTOLUBRICANTE AM-5
- 49040 0/005.490.3490 (BOLSA 5 uds) TUERCA M10X1,25 FIJ.VOLANTE
- 49041 0/005.490.3370 METRIC NUT 12 x 1,25
- 49042 0/005.490.3240 METRIC NUT 14 x 1,25
- 49049 0/005.490.3420 METRIC NUT 12 x 1
- 49056 0/005.490.3470 (BOLSA 5 uds) TUERCA M-12x1,25 AM-5
- 49068 0/005.490.4127 SPACER 012,4 x 14,4 x 11
- 49074 0/005.490.4390 SPACER DRUM CLUTCH 013 x 30 x 4
- 49084 0/005.490.5140 METRIC SCREW 7 x 115
- 49095 0/005.490.6099 (BOLSA 5 uds) ARANDELA VISELADA
- 49101 0/005.490.6129 WASHER 07 JAGGED INTERIOR
- 49120 0/005.490.6406 (BOLSA 5 uds) ARANDELA 10 x 16 x 0,6 AM5
- 49122 0/005.490.6426 WASHER STEELS 012 x 17 x 0,6
- 49124 0/005.490.6440 WASHER STEELS 012,3 x 22
- 49132 0/005.490.6520 (BOLSA 5 uds) ARANDELA ACERO 17.2x30
- 49135 0/005.490.6556 WASHER STEELS 020,45 x 28 THICKNESS 0,6
- 49135 0/005.490.6554 (BOLSA 5 uds) ARANDELA 20.45\*28
- 49139 0/005.491.6046 WASHER STEELS 014,5 x 27 THICKNESS 0,6
- 49139 0/005.491.6044 (BOLSA 5 uds) ARANDELA 14,5X27 ESP 0,4 EVOL
- 49139 0/005.491.6044 WASHER STEELS 014,5 x 27 THICKNESS 0,4
- 49151 0/005.491.6096 WASHER STEELS 08,4 x 16 x 0,6
- 49155 0/005.491.6130 WASHER STEELS 08,2 x 15 x 1
- 49175 0/005.490.6800 WASHER 012,75 x 28 x 1,5
- 49191 0/005.490.6890 WASHER 05 x 15 x 2
- 49192 0/005.490.7000 (BOLSA 5 uds) ARANDELA 5x15x2
- 49200 0/005.490.8010 SCREW CLUTCH M14 x 1,25 x 18
- 49226 0/005.490.9389 (BOLSA 5 uds) TILLO.METALICO 4X10 EVOL
- 49227 0/005.490.8420 METRIC SCREW 6 x 6
- 49228 0/005.491.9049 (BOLSA 5 uds) TORNILLO 5x20
- 49230 0/005.490.8460 METRIC SCREW 4 x 10
- 49236 0/005.490.8529 METRIC SCREW 5 x 16
- 49238 0/000.460.0290 METRIC SCREW 6 x 20
- 49244 0/005.490.8619 METRIC SCREW 6 x 20
- 49245 0/000.460.0311 METRIC SCREW 6 x 25
- 49246 0/000.460.0320 METRIC SCREW 6 x 30
- 49248 0/005.490.8659 METRIC SCREW 6 x 40
- 49251 0/005.490.8689 METRIC SCREW 6 x 55
- 49281 0/005.490.9119 METRIC SCREW 8 x 10
- 49290 0/005.490.9220 METRIC SCREW 12 x 1,25
- 49386 0/005.491.7621 WASHER
- 49840 0/005.497.0669 METRIC SCREW 5 x 35
- 53508 0/005.530.5499 (BOLSA 5 uds) RETEN 20\*35\*7 DIN 3760



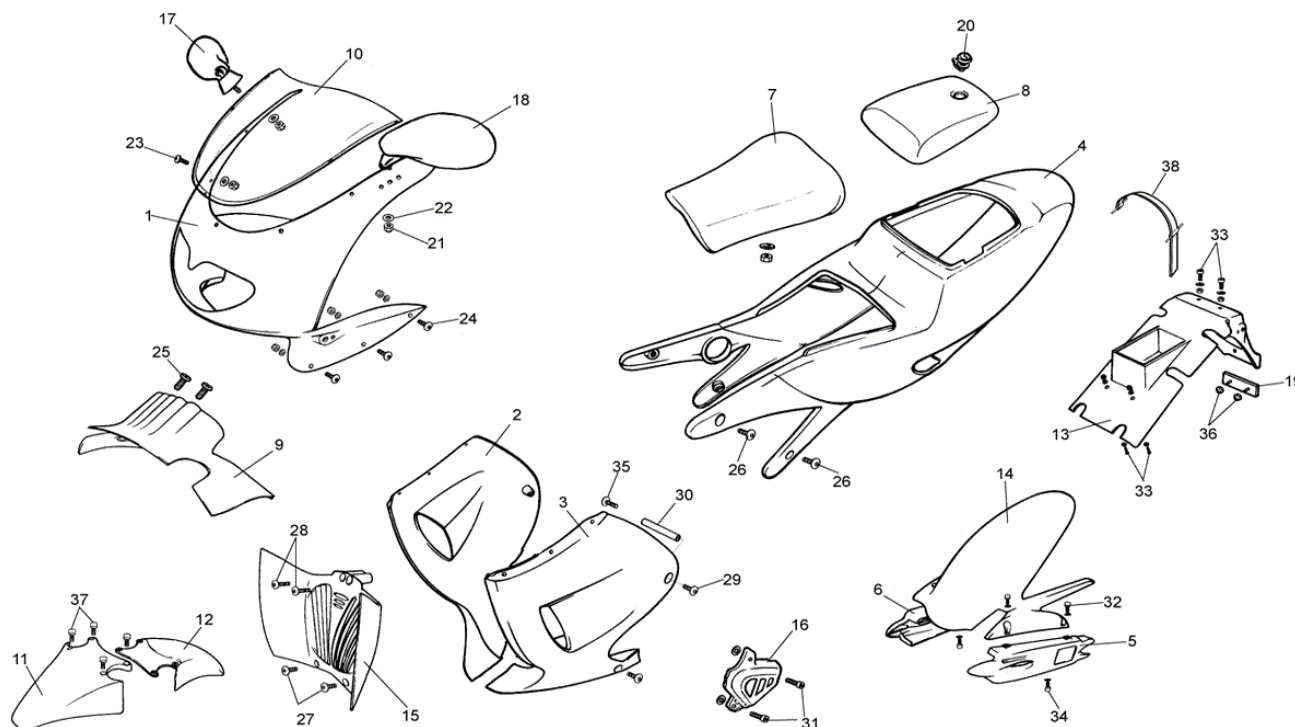
## 01 RS1\2r\FRONT CHASSIS

- 1 0/000.010.0181 COMPLETE FRONT FRAME
- 2 0/000.980.0151 SUPPORT LIGHTHOUSE
- 3 0/000.210.0140 STAND
- 4 0/000.740.0221 LEFT FOOTREST
- 4 0/000.740.0330 PASSENGER FOOTREST (IRON)
- 6 0/000.470.0015 STAND SPRING KIT
- 7 0/000.460.3010 SCREW STAND
- 8 0/000.480.0731 SHOULDER LINING STAND
- 9 0/000.460.0323 SCREW FIXATION SUPPORTS LIGHTHOUSE
- 10 0/000.440.0130 (BOLSA 5 uds) ARANDELA LIS.6,5x17x1,5 TT-KS
- 11 0/000.340.0170 (BOLSA 5 uds) TUERCA M6 AUTOBL/DIN6926/JS500
- 12 0/000.480.0655 SHOULDER LINING SUPPORTS CTS. KILOMETERS
- 13 0/000.360.0490 RUBBER SILEMLOCK
- 14 0/000.460.0310 SCREW FIXATION CTS. KILOMETERS
- 15 0/000.360.0400 RUBBER SILEMLOCK
- 16 0/000.440.0160 (BOLSA 5 uds) ARANDELA LIS.8,5x17x1.25 GT-TT
- 17 0/000.340.0180 (BOLSA 5 uds) TUERCA M8 AUTOBL/DIN6926/JS500
- 18 0/000.220.0180 RIGHT PROTECTOR
- 19 0/000.220.0190 LEFT PROTECTOR
- 20 0/000.740.0211 RIGHT FOOTREST



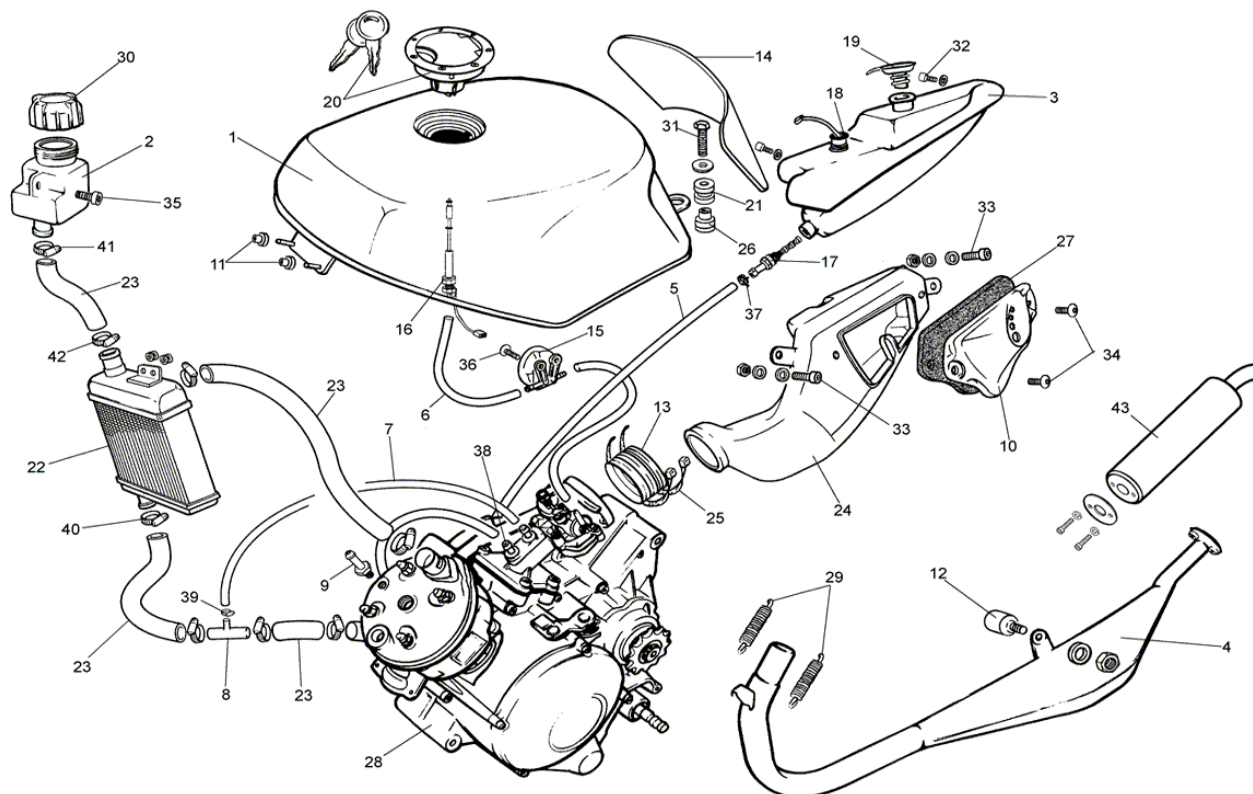
## 02 RS1\2r\BACK CHASSIS

- 1 0/000.010.0191 BACK FRAME
- 2 0/000.020.0180 SWING ARM
- 3 0/000.360.0490 RUBBER SILEMBLOCK
- 4 0/000.190.8001 PIN
- 5 0/000.340.0180 (BOLSA 5 uds) TUERCA M8 AUTOBL/DIN6926/JS500
- 6 0/000.380.0730 TENSILE WHEEL COMPLETES
- 7 0/000.340.0186 METRIC NUT 14
- 8 0/000.360.0371 SILEMBLOCK
- 9 0/000.360.0670 SILEMBLOCK COLLIDE
- 10 0/000.360.0640 SILEMBLOCK COLLIDE
- 11 0/000.360.0790 SKATE CHAIN
- 12 0/000.380.0700 TENSILE WHEEL
- 13 0/000.380.0720 TENSILE WHEEL
- 14 0/000.440.0110 (BOLSA 5 uds) ARANDELA BIS 10x24x1.5
- 15 0/000.440.0122 WASHER DIAMETER 14
- 16 0/000.440.0160 (BOLSA 5 uds) ARANDELA LIS.8, 5x17x1.25 GT-TT
- 17 0/000.460.0402 (BOLSA 5 uds) TILLO DIN 912 JS500 M10x50
- 18 0/000.460.0550 (BOLSA 5 uds) TILLO 6921-08.8 JS500 M8x100
- 19 0/000.740.0040 STIRRUP PASSENGER
- 20 0/000.980.0140 SUPPORT ENGINE
- 21 0/000.980.0580 ELIMINATED OF PRODUCTION. IT IS NOT POSSIBLE T
- 22 0/000.980.0581 ELIMINATED OF PRODUCTION. IT IS NOT POSSIBLE T
- 23 0/000.460.0670 (BOLSA 5 uds) TILLO 6921-08.8 JS500 M8x25
- 24 0/000.680.0300 BAND RSG-U1 10-15
- 25 0/000.480.0710 SPACER SILEMBLOCK
- 26 0/000.460.1166 SCREW
- 27 0/000.390.1220 YELLOW & GREY DECAL SET
- 27 0/000.390.1270 BLUE DECAL SET
- 27 0/000.390.0200 ELIMINATED OF PRODUCTION. IT IS NOT POSSIBLE T
- 27 0/000.390.0200 ELIMINATED OF PRODUCTION. IT IS NOT POSSIBLE T



## 03 RS1\2r\DOME

- 1 0/000.570.4003 YELLOW & BLUE HEADLIGHT HOOD
- 1 0/000.570.4002 RED AND BLUE HEADLIGHT HOOD
- 1 0/000.570.4001 RED AND BLACK COVER
- 1 0/000.570.3017 YELLOW & GREY HEADLIGHT HOOD
- 2 0/000.570.4004 RED RIGHT RADIATOR PLATE
- 2 0/000.570.3027 YELLOW & BLUE RIGHT RADIATOR PLATE
- 2 0/000.570.4005 BLACK RIGHT RADIATOR PLATE
- 2 0/000.570.4006 RED & BLUE RIGHT RADIATOR PLATE
- 3 0/000.570.4008 BLUE LEFT RADIATOR PLATE
- 3 0/000.570.4007 RED LEFT RADIATOR PLATE
- 3 0/000.570.4009 RED & BLUE LEFT RADIATOR PLATE
- 3 0/000.570.3037 YELLOW & BLUE LEFT RADIATOR PLATE
- 4 0/000.570.3207 YELLOW & GREY REAR TAIL RACK
- 4 0/000.570.4011 RED & BLUE REAR TAIL RACK
- 4 0/000.570.4012 YELLOW & BLUE REAR TAIL RACK
- 4 0/000.570.4010 RED & BLACK REAR TAIL RACK
- 5 0/000.570.3110 LEFT PLASTIC FOR SWING ARM
- 6 0/000.570.3120 RIGHT PLASTIC FOR SWING ARM
- 7 0/000.040.0181 PILOT SEAT 99
- 7 0/000.040.0180 PILOT SEAT
- 8 0/000.040.0191 REAR SEAT WITHOUT LOCK
- 9 0/000.570.3090 SUPPORT CARRY-INSTRUMENTS
- 10 0/000.570.3003 WIND SCREEN
- 11 0/000.050.0187 YELLOW FRONT ANTERIOR MUDGUARD
- 11 0/000.050.4001 RED FRONT ANTERIOR MUDGUARD
- 11 0/000.050.4002 BLUE FRONT ANTERIOR MUDGUARD
- 11 0/000.050.4003 YELLOW FRONT ANTERIOR MUDGUARD
- 12 0/000.050.0192 LATER FRONT MUDGUARD 99
- 12 0/000.050.0190 RED LATER FRONT MUDGUARD
- 12 0/000.050.0191 GRAY LATER FRONT MUDGUARD
- 13 0/000.060.0190 PLATE HOLDER
- 14 0/000.060.0180 REAR SPLASH GUARD
- 15 0/000.570.3150 GRILL RADIATOR
- 16 0/000.220.0510 SILVER ENGINE OUTPUT PINION PROTECTOR
- 17 0/000.990.0400 MIRROR REAR-VIEW RIGHT
- 18 0/000.990.0410 MIRROR REAR-VIEW LEFT
- 19 0/000.630.0550 PLASTIC BACK REFLEX
- 20 0/000.920.0030 KIT OF LOCK
- 20 0/000.920.0031 SEAT LOCK ONLY
- 21 0/000.340.0170 (BOLSA 5 uds) TORNOS M6 AUTOPBL/DIN6926/JS500
- 22 0/000.440.0130 (BOLSA 5 uds) ARANDELA LIS.6,5x17x1,5 TT-KF
- 23 0/000.460.1170 (BOLSA 5 uds) TLLLO.DE PLASTICO M6X16 RS1
- 24 0/000.460.1180 (BOLSA 5 uds) TLLLO.ESPECIAL PLAST. M6X17.5 RS1
- 25 0/000.460.0310 SCREW SUPPORTS
- 26 0/000.460.1180 (BOLSA 5 uds) TLLLO.ESPECIAL PLAST. M6X17.5 RS1
- 27 0/000.460.1189 (BOLSA 5 uds) TLLLO ESPECIAL PLAST.M6X9
- 28 0/000.460.1180 (BOLSA 5 uds) TLLLO.ESPECIAL PLAST. M6X17.5 RS1
- 29 0/000.460.1190 (BOLSA 5 uds) TLLLO.ESPECIAL PLAST.ESP/7380 M6X
- 30 0/000.480.0665 CAREENED SPACER
- 31 0/000.460.0290 SCREW FIXATION PROTECTIVE PINENUT
- 32 0/000.460.0300 (BOLSA 5 uds) TLLLO DIN 912 JS500 M6x16
- 33 0/000.460.0600 (BOLSA 5 uds) TLLLO 6921-G8.8 JS500 M6x16
- 34 0/000.460.1189 (BOLSA 5 uds) TLLLO ESPECIAL PLAST.M6X9
- 35 0/000.460.0600 (BOLSA 5 uds) TLLLO 6921-G8.8 JS500 M6x16
- 36 0/000.440.0400 WASHER REFLEX
- 37 0/000.460.0310 SCREW FRONT MUDGUARD
- 38 0/000.360.0851 BATTERY FIXING GASKET

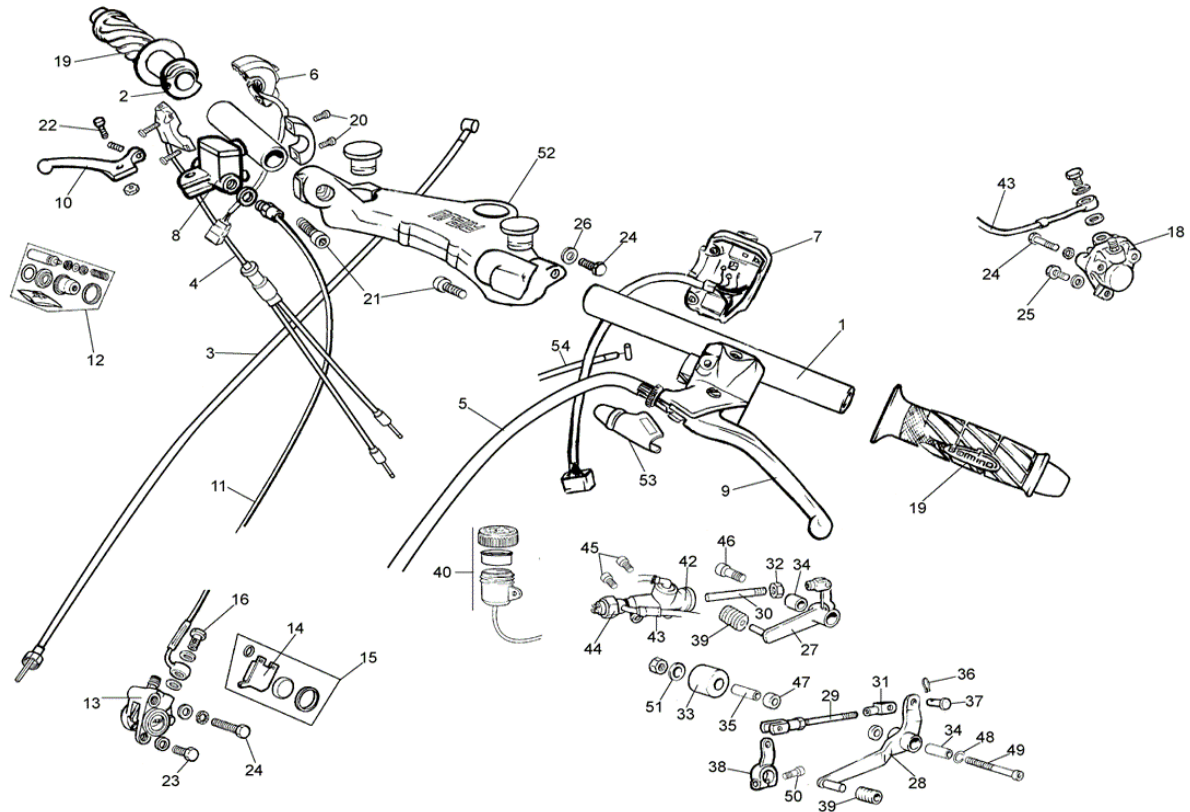


## 04 RS1\2r\DEPOSIT, ESCAPE TUBE AND RADIATOR

1	0/000.030.4001	RED FUEL TANK
1	0/000.030.4002	BLUE FUEL TANK
1	0/000.030.4003	YELLOW FUEL TANK
1	0/000.030.0187	GREY & RED FUEL TANK
2	0/000.030.0150	WATER TANK
3	0/000.030.0190	OIL TANK
4	0/000.290.0346	EXHAUST PIPE ASSEMBLY
5	0/005.240.3517	TOIL PIPE
6	0/000.290.0630	FUEL PIPE
7	0/000.290.0420	PIPE
8	0/000.330.0100	JOINT 16X8X16
9	0/000.330.0110	METALLIC JOINT
10	0/000.350.0360	COVER FILTER BOX
11	0/000.360.0070	RUBBER FUEL TANK
12	0/000.360.0460	RUBBER SILEMLOCK EXHAUST
13	0/000.360.0471	RUBBER FILTER BOX
13	0/000.360.0472	RUBBER FILTER BOX 2000
14	0/000.360.0485	RUBBER
15	0/000.370.0410	FUEL LOCK
16	0/000.370.0420	DEPRESSION COCK
17	0/000.370.0610	JOINT WITH FILTER
18	0/000.410.0560	OIL LEVEL PROBE
19	0/000.410.3005	OIL TANK PLUG
20	0/000.320.0030	KIT FUEL TANK PLUG
20	0/000.410.0340	FUEL TANK CAP WITH KEYS
21	0/000.360.0480	RUBBER FUEL TANK
22	0/000.580.0040	RADIATOR
23	0/000.640.0163	RADIATOR PIPE
24	0/000.910.0193	AIR FILTER BOX
25	0/000.680.0060	LONG BAND
26	0/000.480.0670	SPACER
27	0/001.070.0060	FILTER CARTRIDGE
28	0/005.082.0322	ENGINE 2000
29	0/005.460.1070	EXHAUST SPRING
30	0/080.710.9803	WATER TANK PLUG
31	0/000.460.0421	SCREW
32	0/000.460.0600	(BOLSA 5 uds) TLO 6921-G8.8 JS500 M6x16
33	0/000.460.0600	(BOLSA 5 uds) TLO 6921-G8.8 JS500 M6x16
34	0/000.460.1190	(BOLSA 5 uds) TLO,ESPECIAL PLAST,ESP/7180 M6X
35	0/000.460.0300	(BOLSA 5 uds) TLO DIN 912 JS500 M6x16
36	0/000.460.0600	(BOLSA 5 uds) TLO 6921-G8.8 JS500 M6x16
37	0/000.680.0510	SPRING CLAMP 10
38	0/000.680.0529	SPRING CLAMP 12
39	0/000.680.8000	SPRING CLAMP 15
40	0/000.680.0535	SCREW CLAMP 22
41	0/000.680.0550	SCREW CLAMP 26
42	0/000.680.0560	SCREW CLAMP 29
43	0/000.870.0346	EXHAUST CASE ONLY

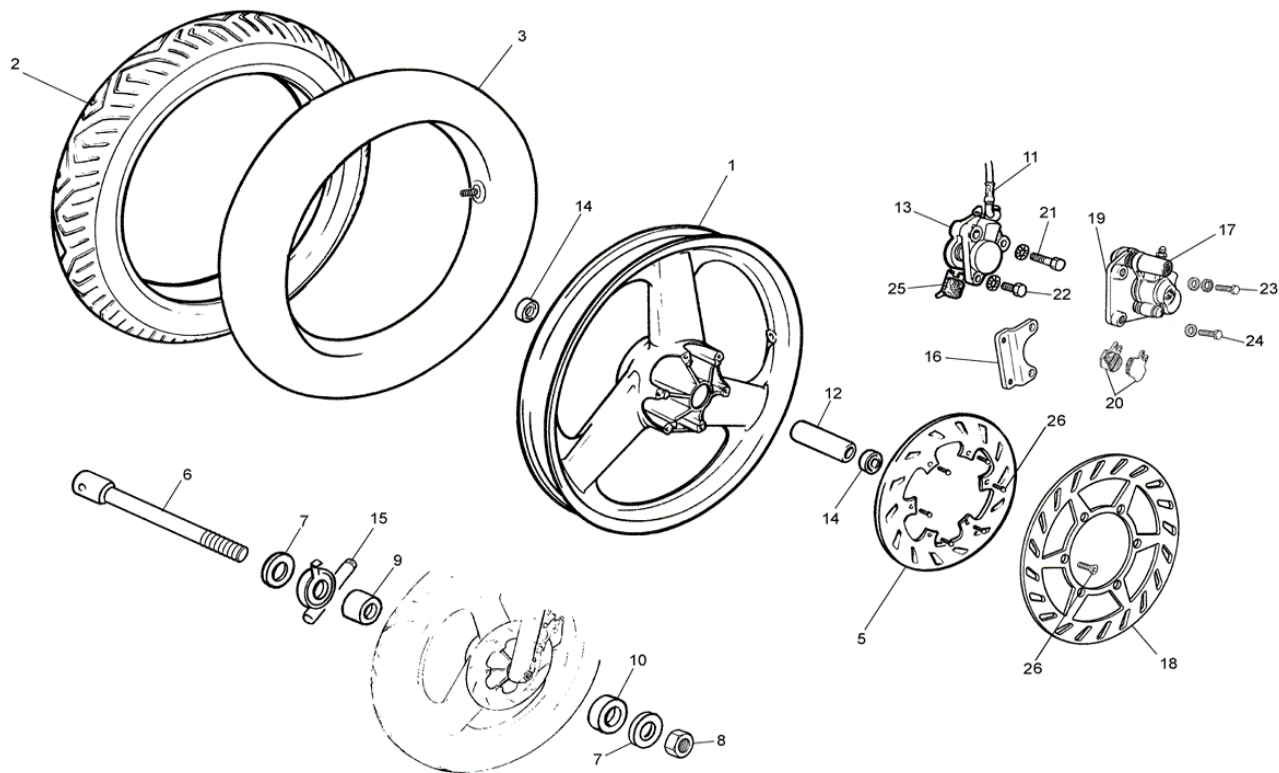






06 RS1\2r\MANILLARES

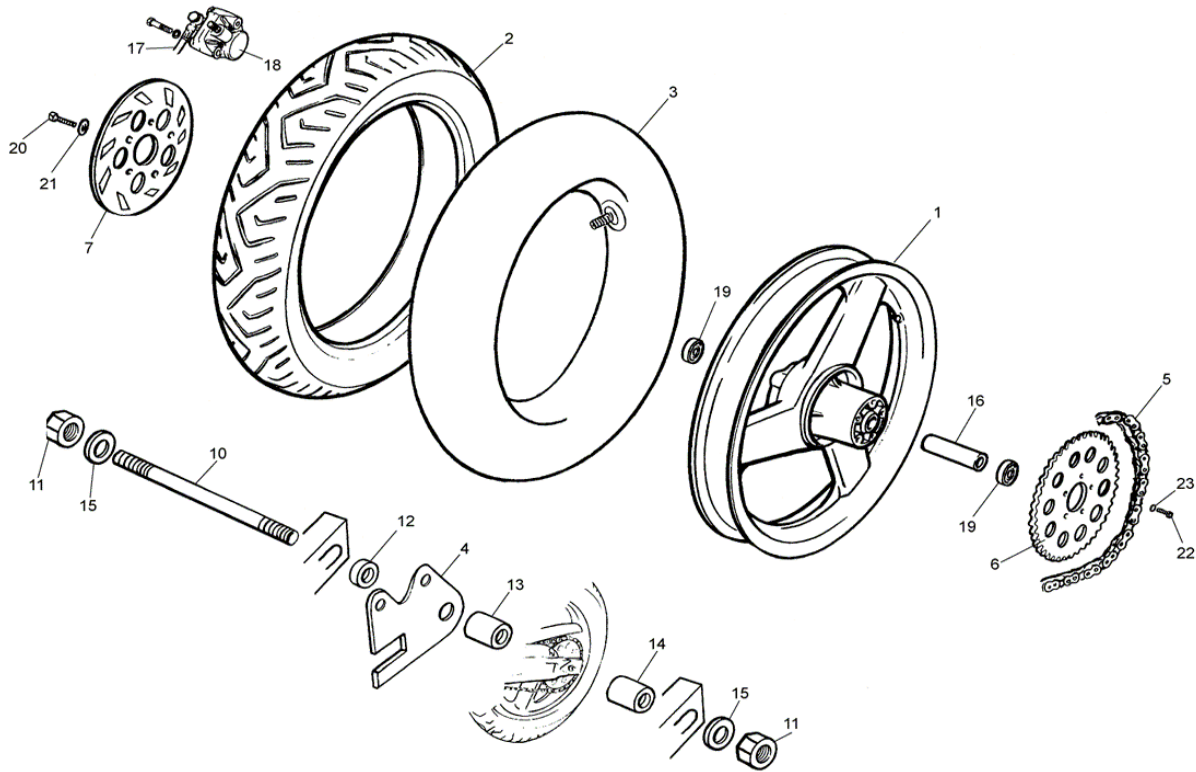
- 1 0/000.170.0200 HANDLEBAR RIGHT OR LEFT
- 2 0/000.530.0410 COMPLETE ACCELERATOR GRIP WITH RUBBER Ø22 y Ø
- 3 0/000.550.0117 ELIMINATED OF PRODUCTION. IT IS NOT POSSIBLE T
- 4 0/000.550.0331 THROTTLE CABLE
- 4 0/000.550.0332 THROTTLE CABLE 2000
- 5 0/000.550.0346 CLUTCH CABLE
- 6 0/000.720.0130 SWITCH COMPLETE RIGHT
- 7 0/000.720.0140 LEFT COMPLETE SWITCH
- 8 0/000.830.1100 FRONT BRAKE PUMP
- 9 0/000.830.0310 CLUTCH HANDLE ONLY
- 9 0/000.830.0301 CLUTCH HANDLE WITH STARTER LEVER 2000
- 9 0/000.830.0302 STARTER LEVER 2000
- 10 0/000.830.1000 BRAKE LEVER
- 11 0/000.290.0252 FRONT BRAKE PIPE
- 12 0/000.640.0400 ELIMINATED OF PRODUCTION. IT IS NOT POSSIBLE T
- 13 0/000.860.1010 DISK FRONT BRAKE CALIPER
- 14 0/000.930.0060 FRONT BRAKE PASTS PAIR
- 15 0/000.640.0420 KIT FRONT BRAKE
- 16 0/000.460.1300 (BOLSA 5 uds) TLLLO.RACORD TUBO F.D.BREMBO
- 18 0/000.860.1010 DISK REAR BRAKE CALIPER
- 19 0/000.530.0420 HANGRIP PAIR
- 20 0/000.460.0310 SCREW
- 21 0/000.460.0340 SCREW HANDLEBAR
- 22 0/000.460.0421 SCREW LEVER
- 23 0/000.460.0670 (BOLSA 5 uds) TILLO 6921-G8.8 JS500 M8x25
- 24 0/000.460.0480 SCREW
- 25 0/000.460.0651 SCREW
- 26 0/000.440.0210 WASHER
- 27 0/000.730.0220 FOOT LEVER BRAKES
- 28 0/000.730.0230 FOOT LEVER SELECTOR
- 29 0/000.240.0162 BAR METRIC SELECTOR 135X20X20 6
- 30 0/000.240.0170 BAR REAR BRAKES METRIC 78X20 6
- 31 0/000.130.0150 FORK
- 32 0/000.340.0130 (BOLSA 5 uds) TUERCA ZINCADA M6 DIN 934.8
- 33 0/000.360.0792 RUBBER ROLLER GUIDES CHAIN
- 34 0/000.480.0625 SPACER
- 35 0/000.480.0645 SPACER
- 36 0/000.840.0060 CLIP 2X10
- 37 0/000.840.0090 CLIP 2X10
- 38 0/000.940.0080 NUT
- 39 0/086.070.0700 RUBBER SELECTOR LEVER
- 40 0/000.030.0170 REAR BRAKE PUMP TANK
- 42 0/000.820.0310 REAR BRAKE PUMP
- 43 0/000.290.0254 PIPE
- 44 0/000.720.0073 SWITCH STOP
- 44 0/000.720.0073 SWITCH STOP 99
- 45 0/000.460.0600 (BOLSA 5 uds) TLLLO 6921-G8.8 JS500 M6x16
- 46 0/000.460.0352 SCREW
- 47 0/000.480.0635 SPACER
- 48 0/000.440.0210 WASHER
- 49 0/000.460.0395 SCREW
- 50 0/000.460.0620 (BOLSA 5 uds) TLLLO 6921-G8.8 JS500 M6x25
- 51 0/000.440.0160 (BOLSA 5 uds) ARANDELA LIS.8,5x17x1.25 GT-TT
- 52 0/000.660.0410 PLATE
- 53 0/000.360.0483 CLUTCH AND TENSION CABLE PROTECTIVE RUBBER
- 54 0/000.550.0338 CABLE STARTER GAS 2000



## 07 RS1\2r\FRONT TIRE

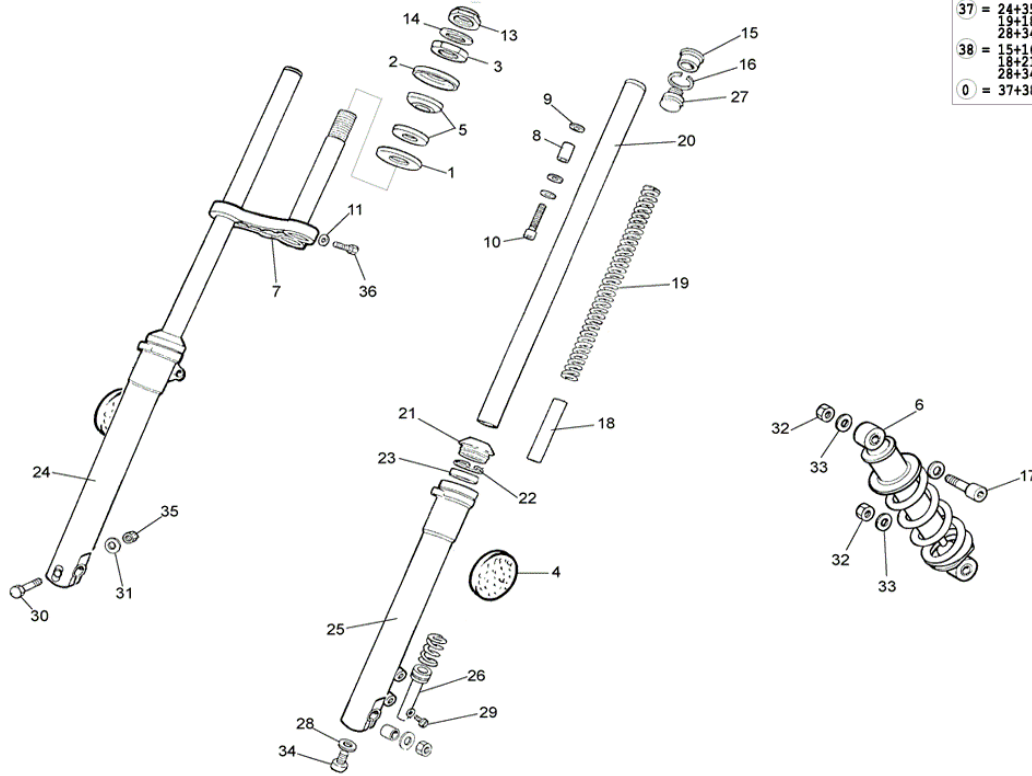
- 1 0/000.230.0157 COMPLETE FRONT TYRE GREY
- 1 0/000.230.0155 COMPLETE FRONT TYRE BLACK
- 2 0/000.510.0110 FRONT COVER 90/90-16
- 3 0/000.520.0110 FRONT CAMERA MB 16
- 5 0/001.090.0080 FRONT DISK BRAKE O220
- 6 0/000.190.0431 WHEEL PIN
- 7 0/000.440.0120 (BOLSA 5 uds) ARANDELA BIS 12x24x1.5
- 8 0/000.340.0061 (BOLSA 5 uds) TCR. EJE RUEDA TRAS. EVOLUTION
- 9 0/000.480.0615 SPACER
- 10 0/000.480.0616 SPACER
- 11 0/000.290.0252 TUBE
- 12 0/000.480.0617 RING BEARING SPACER
- 13 0/000.860.1010 DISK FRONT BRAKE CALIPER
- 14 0/000.960.0031 RADIAL BEARING
- 15 0/001.010.0120 ELIMINATED OF PRODUCTION. IT IS NOT POSSIBLE T
- 16 0/000.980.0650 CLIP BRACKET FOR DISK O260
- 17 0/000.860.1011 FRONT CLIP ONLY CASTROL
- 18 0/001.090.0081 FRONT DISK BRAKE O260
- 19 0/000.980.0660 CLIP BRACKET CASTROL
- 20 0/000.930.3005 FLOATING PINNER CLAMPS
- 21 0/000.460.0670 (BOLSA 5 uds) TILLO 6921-G8.8 JS500 M8x25
- 22 0/000.460.0670 (BOLSA 5 uds) TILLO 6921-G8.8 JS500 M8x25
- 23 0/000.460.0671 LOCKING SCREW DIN933 M8x30
- 24 0/000.460.0670 (BOLSA 5 uds) TILLO 6921-G8.8 JS500 M8x25
- 25 0/000.930.0060 DISK BRAKE CLAMPS
- 26 0/000.460.0620 (BOLSA 5 uds) TILLO 6921-G8.8 JS500 M6x25





## 08 RS1\2r\BACK TIRE

1	0/000.230.0167	REAR TYRE ONLY GREY
1	0/000.230.0166	REAR TYRE ONLY BLACK
2	0/000.510.0410	BACK COVER 120/80-16
3	0/000.520.0410	BACK CAMERA MC16
4	0/000.980.0315	SUPPORT REAR DISK BRAKE CALIPER
5	0/001.050.0210	CHAIN 420 GSX 126 STEPS
6	0/000.500.0185	REAR SPROCKET Z/44
7	0/001.090.0090	DISK BRAKE
10	0/000.190.0441	REAR WHEEL PIN
11	0/000.340.0061	(BOLSA 5 uds) TCA. EJE RUEDA TRAS. EVOLUTION
12	0/000.480.0618	SPACER
13	0/000.480.0619	RIGHT SEPARADOR
14	0/000.480.0621	ELIMINATED OF PRODUCTION. IT IS NOT POSSIBLE T
15	0/000.440.0120	(BOLSA 5 uds) ARANDELA BIS 12x24x1.5
16	0/000.480.0622	RING/BEARING SPACER
17	0/000.290.0254	TUBE
18	0/000.860.1010	BACK CLIP
18	0/000.860.1111	REAR CLIP ONLY CASTROL
19	0/000.960.0031	BEARING
20	0/000.460.0421	SCREW
21	0/000.440.0240	WASHER
22	0/000.460.0470	SCREW REAR SPROCKET
23	0/000.440.0180	WASHER SCREW REAR SPROCKET



CONJUNTOS / KITS	
37 =	24+35+31+30+15+16+27+20+19+18+21+22+23+4+26+29+28+34
38 =	15+16+27+9+20+8+10+19+18+21+22+23+4+25+26+29+28+34
0 =	37+38+7+13+14

## 09 RS1\2r\FORK

- 0 0/000.130.0143 COMPLETE FRONT FORK
- 1 0/000.200.7001 COVER POWDER INFERIOR SEAT
- 2 0/000.200.7000 COVER POWDER SUPERIOR SEAT
- 3 0/000.340.0620 NUT LARDS ADDRESS
- 4 0/000.630.0540 PLASTIC REFLEX
- 5 0/000.960.0100 STEERING GEAR
- 6 0/000.180.0711 COMPLETE SHOCK ABSOVER
- 7 0/000.660.0400 SUSPENSION ASSEMBLY
- 8 0/000.290.0800 STOP-PLATE
- 9 0/000.440.0130 (BOLSA 5 uds) ARANDELA LIS.6,5x17x1,5 TT-KS
- 10 0/000.460.0310 SCREW DIN 912
- 11 0/000.440.0210 WASHER
- 12 0/000.460.0471 SCREW DIN 931
- 13 0/000.340.0600 NUT
- 14 0/000.440.0040 WASHER
- 15 0/000.410.0210 PIPE PLUG
- 16 0/000.300.0201 RING
- 17 0/000.460.0402 (BOLSA 5 uds) TLL0 DIN 912 JS500 M10x50
- 18 0/000.480.0580 SUPPLEMENT SPRING
- 19 0/000.470.0400 FORK SPRING
- 20 0/000.290.0810 PIPE
- 21 0/000.360.0500 OIL SEAL COVER
- 22 0/000.300.0200 RING
- 23 0/000.890.0200 OIL SEAL
- 24 0/000.880.0700 RIGHT WHEEL HOLDER ASS.
- 24 0/000.880.0720 RIGHT WHEEL HOLDER ASS. 2000
- 25 0/000.880.0710 LEFT WHEEL HOLDER ASS.
- 25 0/000.880.0730 LEFT WHEEL HOLDER ASS. 2000
- 26 0/000.640.0300 STEM ASSEMBLY
- 27 0/000.410.0201 PIPE PLUG
- 28 0/000.440.0500 ELIMINATED OF PRODUCTION. IT IS NOT POSSIBLE T
- 29 0/000.460.0010 METRIC SCREW 4X7
- 30 0/000.460.0480 SCREW METRIC DIN 931 8X50
- 31 0/000.440.0210 WASHER GROWER
- 32 0/000.340.0182 (BOLSA 5 uds) TUERCA M10 AUTOBL/DIN6926/JS500
- 33 0/000.440.0110 (BOLSA 5 uds) ARANDELA BIS 10x24x1.5
- 34 0/000.460.0340 SCREW DIN 912 M8X20
- 35 0/000.340.0180 (BOLSA 5 uds) TUERCA M8 AUTOBL/DIN6926/JS500
- 36 0/000.460.0471 SCREW
- 37 0/000.640.0310 CUTO. MEDIA SUSPENSIÓN DERECHA
- 38 0/000.640.0320 CUTO. MEDIA SUSPENSIÓN IZQUIERDA