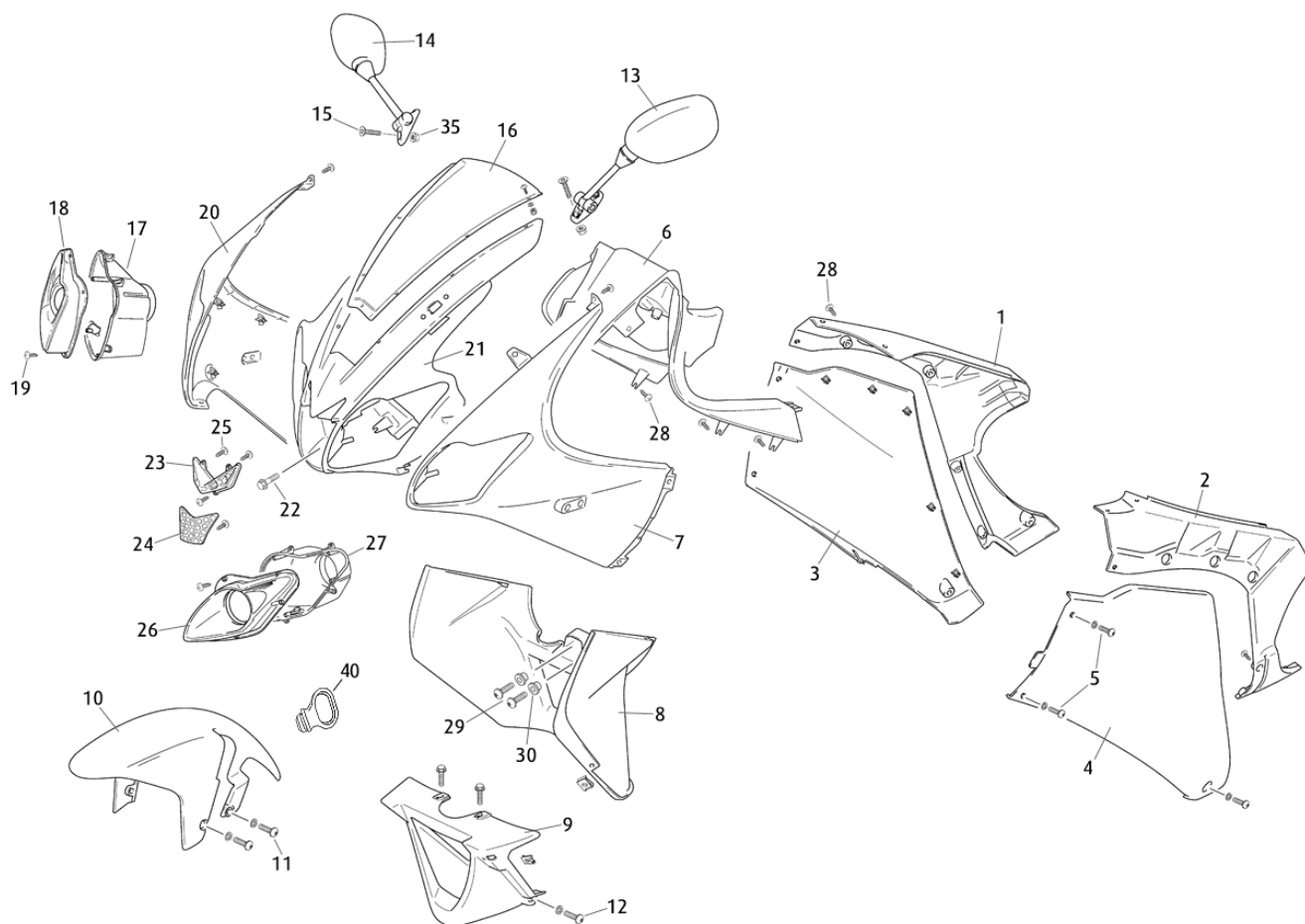


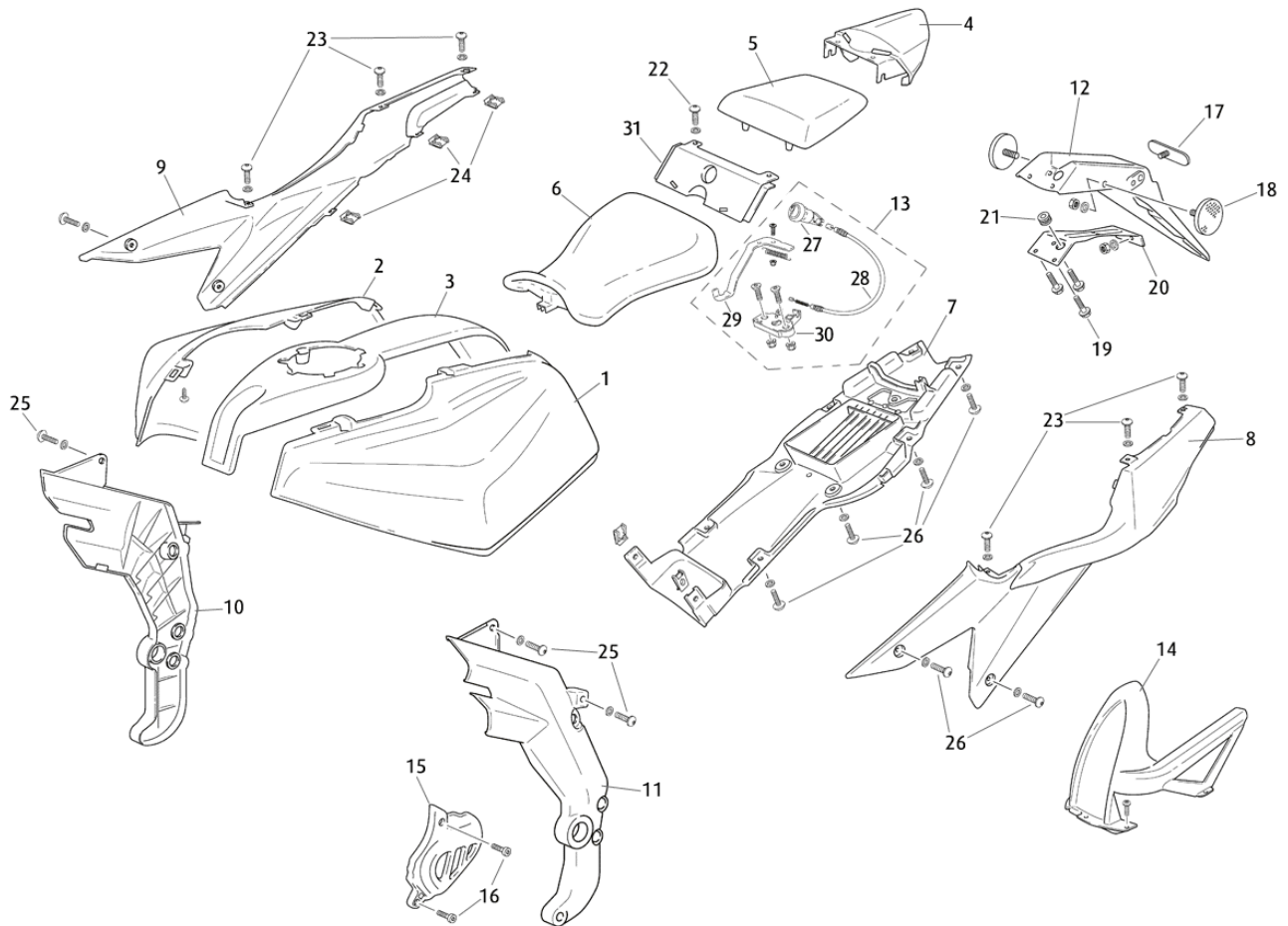
01 RS3\k10\CHASSIS

1 0/000.010.7006	CHASSIS DIVIDES ADVANTAGE RS3	67 0/000.480.7012	SEPARATOR
2 0/000.010.7102	CHASSIS DIVIDES BACK RS3	68 0/000.460.0352	SCREW M8X40
3 0/000.980.7014	FLEETING RIGHT SUPPORT ESTRIBERA	69 0/000.340.0181	M8 NUT
4 0/000.980.7015	FLEETING LEFT SUPPORT ESTRIBERA	70 0/000.220.7002	BLACK GRID PICTURE
5 0/000.020.7003	TILTED COMPLETE RS3	71 0/000.330.0051	IT RIVETS PLASTIC EMBELLECEDOR
6 0/000.010.7202	CHASSIS CRADLES RS3	72 0/000.470.7204	FLEETING WHARF ESTRIBERAS
7 0/000.210.7002	SMALL HORSE REST RS3	73 0/000.470.7203	SOFT HANDLE CHANGE
8 0/000.980.7013	SUPPORT LIGHT AND CTA KM RS3	74 0/000.740.7001	LEFT PILOT ESTRIBERA
9 0/000.660.7105	PLASTIC PLATINA INFERIOR FIXATION	81 0/000.340.0130	NUT M6
10 0/000.340.5101	FAST NUT M6 DRACOMED	82 0/000.440.0161	WASHER
11 0/000.340.5101	FAST NUT M6 DRACOMED	83 0/000.440.0180	WASHER GLOBER
12 0/000.460.0821	SCREW M6X20	84 0/000.840.7002	PIN ESTRIBERAS
13 0/000.360.0400	RUBBER SILEMBLOCK	85 0/000.130.0150	HORQUILLA CAMBIO Y FRENO
14 0/000.470.8000	SOFT SMALL HORSE	86 0/000.340.0130	TUERCA
15 0/000.980.7028	SOFT SUPPORT SMALL HORSE	90 0/000.470.7203	SOFT HANDLE CHANGE
16 0/000.940.7001	NUT SENDING BACK CHANGE	91 0/000.470.7202	SOFT HANDLE BRAKE
17 0/000.220.1000	PROTECTIVE CORK AXIS SELECTOR		
18 0/000.460.0310	SCREW M6X20		
19 0/000.840.0060	PIN 2X10		
20 0/000.840.0090	PIN BRAKE HANDLE		
21 0/000.730.7102	HANDLE CHANGE RS3		
22 0/000.240.7003	ROD CHANGE RS3		
23 0/000.460.0346	SCREW 6X30		
24 0/000.840.0090	PSADOR CAMBIO		
25 0/000.220.7004	PROTECTIVE HANDLE CHANGE		
26 0/000.980.7019	PILOT SUPPORT ESTRIBERA		
27 0/000.460.1189	SPECIAL SCREW 6X9		
28 0/000.260.5001	DOLLA HANDLE		
29 0/000.360.5001	RUBBER SKATE CHAIN		
30 0/000.460.0745	SCREW DIN 5,5X25		
31 0/000.380.5100	TENSILE WHEEL		
32 0/000.460.0636	TENSILE SCREW		
33 0/000.340.0140	TENSILE NUT		
34 0/000.740.7004	LEFT FLEETING ESTRIBERA		
35 0/000.840.7002	PIN ESTRIBERAS		
36 0/000.660.7001	PLATINA POSITIONER ESTRIBERA		
37 0/000.460.0670	SCREW SUBCHASSIS SUBJECTION		
38 0/000.740.7003	RIGHT FLEETING ESTRIBERA		
39 0/000.340.5101	FAST NUT M6 DRACOMED		
40 0/000.360.0370	TILTED RUBBER SILEMBLOK		
41 0/000.460.0670	SCREW M8X25		
42 0/000.340.0180	M8 NUT		
43 0/000.730.7002	HANDLE BRAKE RS3		
44 0/000.220.7003	PROTECTIVE BRAKE		
45 0/000.980.7018	RIGHT ESTRIBERA SUPPORT		
46 0/000.130.0150	BRACKET CHANGE AND BRAKE		
47 0/000.980.7025	SUPPORT PUMP BRAKE		
48 0/000.740.7000	RIGHT PILOT ESTRIBERA		
49 0/000.470.7001	SOFT HANDLE BRAKE		
50 0/000.260.5001	DOLLA PEDAL BRAKE		
51 0/000.460.2002	SCREW M8X30		
52 0/000.460.0345	SCREW M8X25		
53 0/000.440.0161	WASHER 8,5X20		
54 0/000.460.0323	M6 SCREW		
55 0/000.440.0130	M6 WASHER		
56 0/000.340.0170	M6 NUT		
57 0/000.460.0550	SCREW M8X20		
58 0/000.980.7012	MOTOR SUPPORT RS RS3		
59 0/000.340.0180	M8 NUT		
60 0/000.190.7001	TILTED AXIS		
61 0/000.460.7010	SCREW SMALL HORSE RS3		
62 0/000.460.0673	SCREW M8X40		
63 0/000.480.0645	SOCKET ROD.CADENA		
64 0/000.340.0186	M14 NUT		
65 0/000.360.0792	RUBBER ROLLER CHAIN		
66 0/000.440.123B	M14 WASHER		



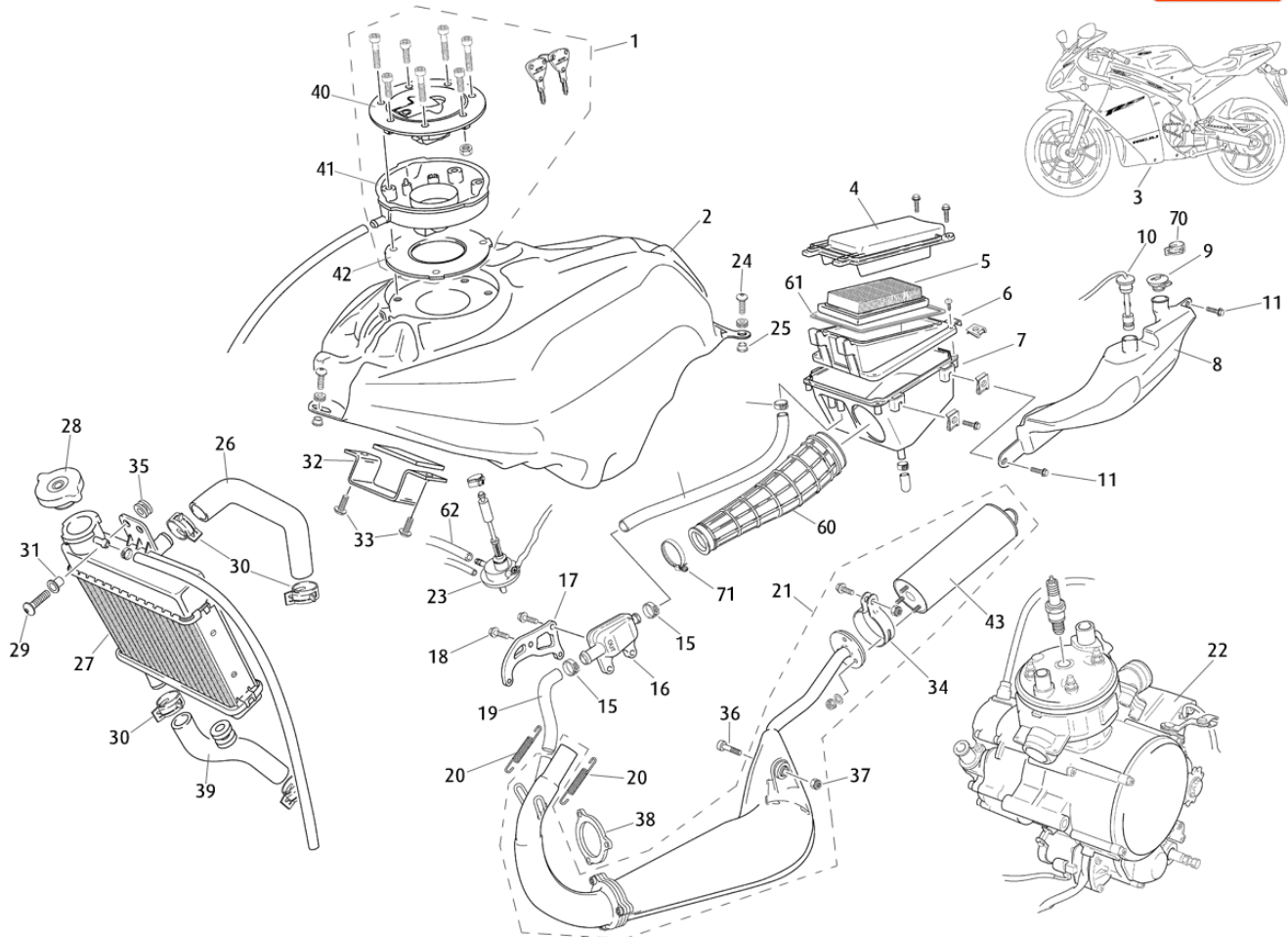
02 RS3\k10\PLASTICS

1	0/000.570.7039	RIGHT TOP FAIRING
2	0/000.570.7038	TOP FAIRING IZQUIRDO
3	0/000.570.7062	LATERAL FAIRING STRAIGHT WHITE INFERIOR
3	0/000.570.7054	LATERAL FAIRING STRAIGHT BLACK INFERIOR
4	0/000.570.7061	LATERAL FAIRING WHITE LEFT INFERIOR
4	0/000.570.7053	LATERAL FAIRING BLACK LEFT INFERIOR
5	0/000.460.1185	SCREW
6	0/000.570.7028	IT COVERS BLACK TABLIER
7	0/000.570.7057	FAIRING WHITE LEFT LIGHT
7	0/000.570.7046	FAIRING BLACK LEFT LIGHT
8	0/000.350.7004	IT COVERS RADIATOR
9	0/000.570.7042	KEEL BLACK INFERIOR
10	0/000.050.7015	FRONT MUDGUARD RS3
11	0/000.460.1184	SCREW M6X16
12	0/000.460.1185	SCREW
13	0/000.990.7003	LEFT REAR VIEW MIRROR
14	0/000.990.7002	RIGHT REAR VIEW MIRROR
15	0/000.460.0823	SPECIAL SCREW M6X15
16	0/000.570.7023	CUPOLA IS TRANSPARENT RS3
17	0/000.620.7004	PORTAOPTICA RIGHT BOX
18	0/000.620.7003	RIGHT FRONTAL PORTAOPTICA
19	0/000.460.4010	SCREW 4,2X13
20	0/000.570.7058	FAIRING STRAIGHT WHITE LIGHT
20	0/000.570.7047	FAIRING STRAIGHT BLACK LIGHT
21	0/000.570.7026	CENTRAL FAIRING CUPOLA RS3
22	0/000.460.1183	SPECIAL SCREW 6X17,5
23	0/000.350.7005	IT COVERS SUPLEOPTICA LED
24	0/000.570.7027	FRONTAL GRID
25	0/000.460.7005	TORNILL 3,9X17
26	0/000.620.7006	LEFT FRONTAL PORTAOPTICA
27	0/000.620.7007	OPTICAL PORTAOPTICA LEFT BOX
28	0/000.460.1182	SCREW
29	0/000.460.1185	SCREW
30	0/000.480.0710	SEPARATING RUBBER
35	0/000.340.0169	NUT M6
40	0/000.630.7005	GRAPA FIJACION CABLES



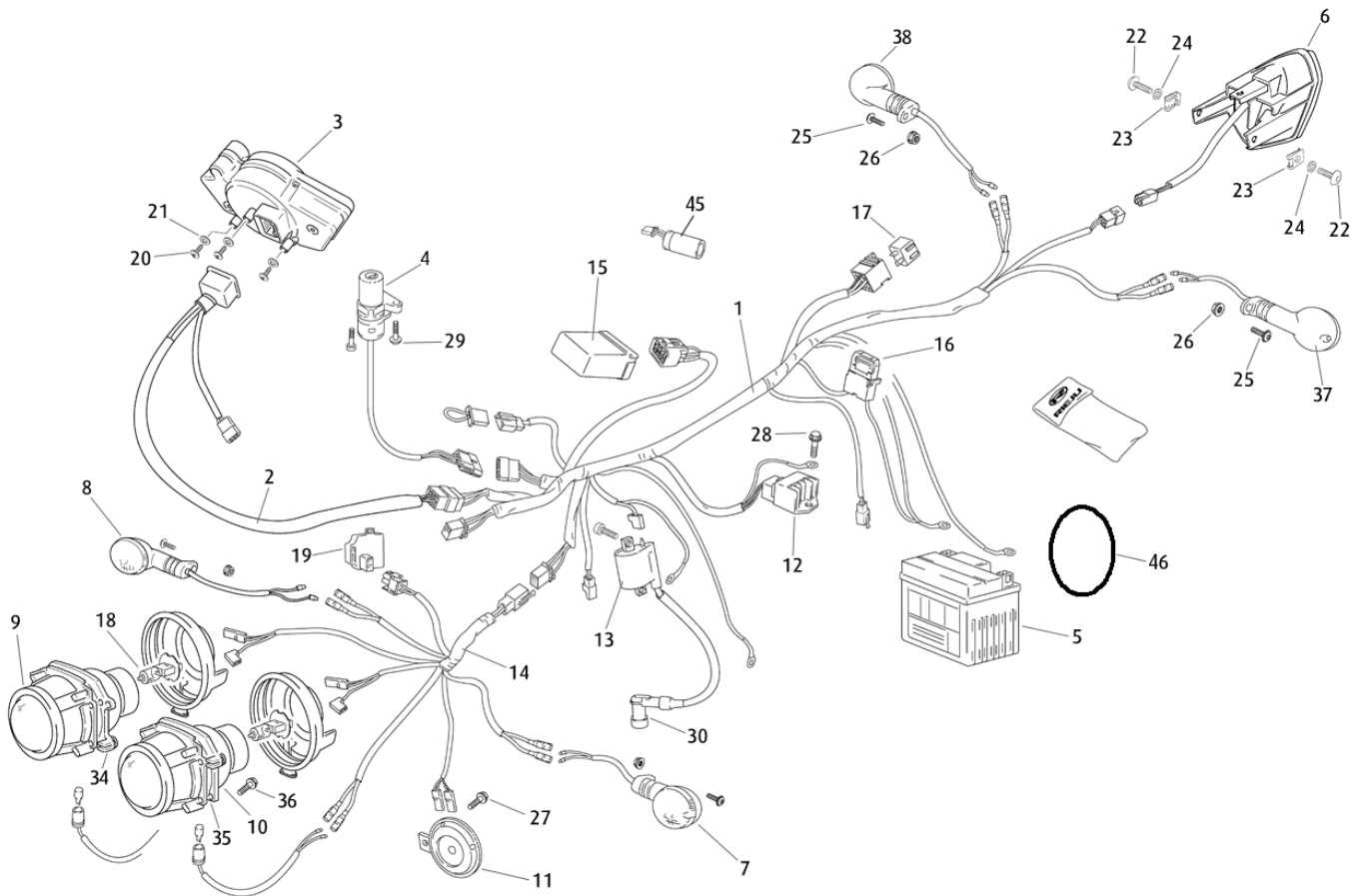
03 RS3\k10\PLASTICS

- 1 0/000.570.7048 BLACK LEFT CUBREDEPOSITO
- 1 0/000.570.7059 WHITE LEFT CUBREDEPOSITO
- 2 0/000.570.7060 IT COVERS I DEPOSIT STRAIGHT WHITE
- 2 0/000.570.7049 IT COVERS I DEPOSIT STRAIGHT BLACK
- 3 0/000.570.7031 IT COVERS I DEPOSIT BLACK POWER STATION
- 4 0/000.570.7045 COLIN COVERS
- 5 0/000.040.7101 FLEETING SADDLE RS3
- 6 0/000.040.7001 PILOT SADDLE RS3
- 7 0/000.570.7034 PLATE SUBCHASSIS INFERIOR
- 8 0/000.570.7055 LATERAL PLATE BLACK LEFT SUBCHASSIS
- 8 0/000.570.7063 LATERAL PLATE RED WHITE LEFT SUBCHASSIS
- 9 0/000.570.7064 LATERAL PLATE RED WHITE RIGHT SUBCHASSIS
- 9 0/000.570.7056 LATERAL PLATE BLACK RIGHT SUBCHASSIS
- 10 0/000.570.7051 IT COVERS GRAY RIGHT CARTELA
- 11 0/000.570.7050 IT COVERS GRAY LEFT CARTELA
- 12 0/000.060.7102 IP CARRIES BLACK MATRICULATION RS3
- 13 0/000.920.7007 COMPLETE LOCK SET
- 14 0/000.060.7105 MUDGUARD ROLLS BACK
- 15 0/000.220.0510 PROTECTIVE PINION EXIT
- 16 0/000.460.0285 PROTECTIVE SCREW PINION
- 17 0/000.630.0551 BACK CATADRIÓPTICO
- 18 0/000.630.0530 YELLOW PLASTIC REFLEX C/TORNILLO
- 19 0/000.460.0600 SCREW M6X16
- 20 0/000.980.7016 SUPPORT MATRICULATION
- 21 0/000.360.0400 RADIATING RUBBER SILEMBLOCK
- 22 0/000.460.1185 SCREW
- 23 0/000.460.1182 SCREW
- 24 0/000.340.5101 FAST NUT M6 DRACOMED
- 25 0/000.460.1185 SCREW
- 26 0/000.460.1185 SCREW
- 27 0/000.920.8003 CERRADURA SILLIN
- 28 0/000.550.7013 CABLE CERRADURA
- 29 0/000.660.8004 PLATINA CIERRE CERRADURA
- 30 0/000.660.8004 SOPORTE CIERRE ASIENTO
- 31 0/000.040.7001 TAPA CIERRE SILLIN NEGRO



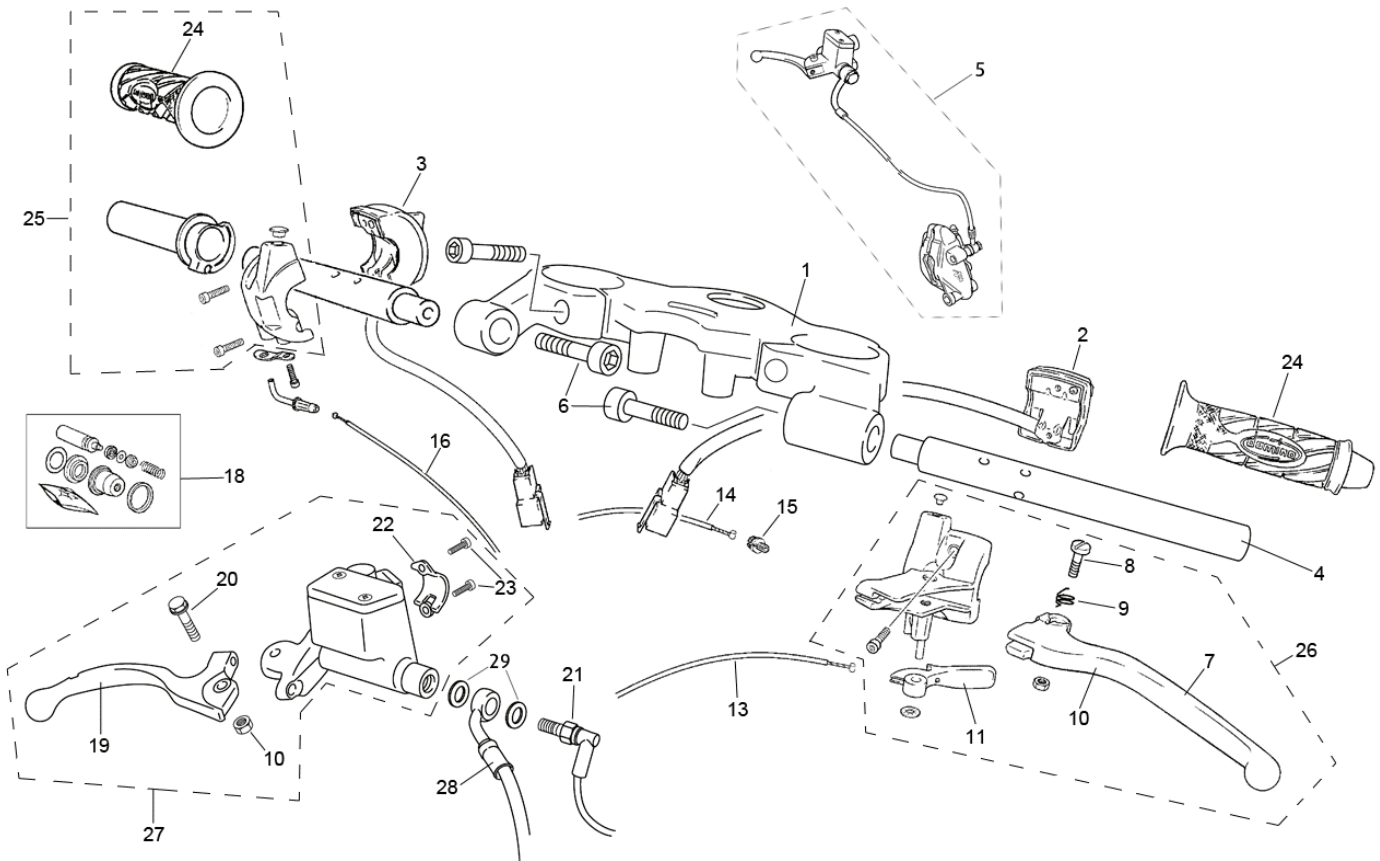
04 RS3\k10\DEPOSIT, ESCAPE TUBE AND RADIATOR

- 1 0/000.920.7007KIT TAPON+CERRADURAS
- 2 0/000.030.7101I DEPOSIT GASOLINE
- 3 0/000.390.7013GAME WHITE GRANARIES RS3
- 3 0/000.390.7012GAME BLACK GRANARIES RS3
- 4 0/000.350.7002IT COVERS BOX FILTER
- 5 0/001.070.7000FILTER ELEMENT
- 6 0/000.910.7001SEMI BOX FILTER SUPERIOR
- 7 0/000.910.7000SEMI BOX FILTER INFERIOR
- 8 0/000.030.7002I DEPOSIT OIL
- 9 0/000.410.3005CORK I DEPOSIT OIL
- 10 0/000.410.7003OIL LEVEL SENSOR
- 11 0/000.460.0600SCREW M6X16
- 13 0/000.290.0635CLIP
- 14 0/000.640.7003SLEEVE 1 VALVE AIS
- 15 0/000.680.8000CLIP RECEIVES
- 16 0/000.640.0002JOINT VALVE AIS
- 17 0/000.980.8014SUPPORT VALVE AIS
- 18 0/000.460.0600SCREW M6X16
- 19 0/000.640.5024SLEEVE 2 VALVE AIS
- 20 0/005.460.1070SOFT SUBJECTION TUBE ESCAPES
- 21 0/000.290.7008TUBE SAVES COMPLETE RSE
- 22 0/005.082.0409ENGINE AM6 50 AM6
- 23 0/000.370.7000FAUCET GASOLINE WITH SOUNDING
- 24 0/000.460.1185SCREW
- 25 0/000.480.0710SEPARATING SOCKET RUBBER
- 26 0/000.640.7006LOWER SLEEVE RADIATING
- 27 0/000.580.7001RADIATOR RS3
- 28 0/000.410.7002RADIATING CORK
- 29 0/000.460.1185SCREW
- 30 0/000.680.0520CLIP SLEEVES RADIATING
- 31 0/000.480.0710SEPARATING SOCKET RUBBER
- 32 0/000.980.7026SUPPORT C.D.I.
- 33 0/000.460.0600SCREW HAS SUPPORTED C.D.I.
- 34 0/000.680.7004BRIDLE SUBJECTION ESCAPES
- 35 0/000.360.0400RADIATING RUBBER SINEMBLOCK
- 36 0/000.460.0672SCREW
- 37 0/000.340.0180M8 NUT
- 38 0/000.490.7101WASHER
- 39 0/000.640.7005SLEEVES RADIATING
- 40 0/000.410.7004TAPON GASOLINA SOLO C/LLAVE
- 41 0/000.030.7102BROCAL TAPON DEPOSITO
- 42 0/000.360.7006JUNTA BROCAL TAPON DEPOSITO
- 43 0/000.870.7006EXHAUST PIPE SILENCER CASING RS3
- 60 0/000.360.7004RUBBER UNION CARBURETOR BOX FILTER
- 61 0/000.980.7033SOPORTE FILTRO RS3
- 62 0/000.290.0642TUBO COPOLAN 5x10x265
- 70 0/000.680.3000CLAMP
- 71 0/000.680.7002CLAMP NORMA 35-50



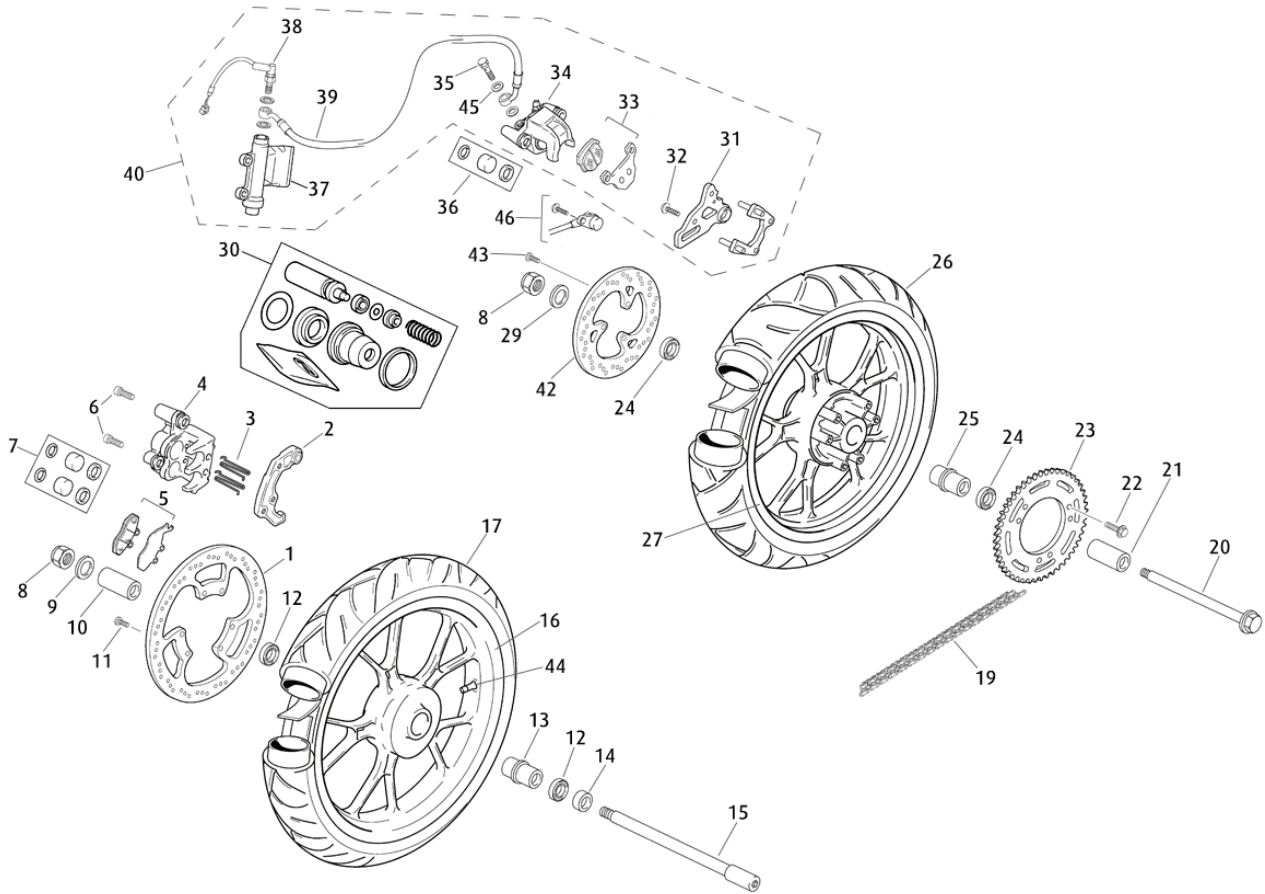
05 RS3\k10\SYSTEM ELECTRICS AND LIGHTS

1	0/000.160.7018	ELECTRICAL INSTALLATION RS3
2	0/000.160.7010	INSTALLATION PICTURE CTA M
3	0/001.000.7006	TABLIER KOSO
4	0/000.920.7102	SINGLE LOCK CONTACT
5	0/000.900.0030	BATTERY
6	0/000.150.6100	BACK PILOT LEDS RS3
7	0/000.150.220	LEFT-HAND FRONT INDICATOR
8	0/000.150.2100	RIGHT-HAND FRONT INDICATOR
9	0/000.600.7001	OPTICAL LONG LIGHT
10	0/000.600.7002	OPTICAL SHORT LIGHT
11	0/000.420.5010	COMPLETE HORN
12	0/005.070.6604	REGULATOR
13	0/005.702.1500	OUTER COIL
14	0/000.160.7014	INSTALLATION CUPOLA
15	0/005.705.3880	SWITCHBOARD C.D.I.
16	0/000.910.0420	FUSE 10 Amp.
17	0/001.200.6001	RELAY STARTS (70 Amp)
18	0/000.850.7005	LAMPARA H3 12V 55W
19	0/001.200.5032	POWER STATION INTERMITENCIA 12V 2X10W
20	0/000.460.4010	SCREW
21	0/000.440.0230	WASHER
22	0/000.460.3031	SCREW
23	0/000.340.5101	FAST NUT M6 DRACOMED
24	0/000.440.5000	WASHER
25	0/000.460.1170	INTERMITTENT SCREW SUBJECTION
26	0/000.340.0172	NUTS INTERMITTENT SCREW SUBJECTION
27	0/000.460.0600	SCREW SUBJECTION HORN
28	0/000.460.0600	SCREW
29	0/000.460.2003	SCREW ANTI MANIPULATION
30	0/005.110.2022	PLUG CAP
34	0/000.620.7005	PORTAOPTICA FIJACION FARO DERECHO
35	0/000.620.7006	PORTAOPTICA FIJACION FARO IZQUIERDO
36	0/000.460.0296	TORNILLO REGULACION OPTICA FARO
37	0/000.150.2100	LEFT-HAND REAR INDICATOR
38	0/000.150.2200	RIGHT-HAND REAR INDICATOR
45	0/001.200.6011	CONDENSER 3300 MICROF
46	0/000.490.7002	RUBBER BATTERY



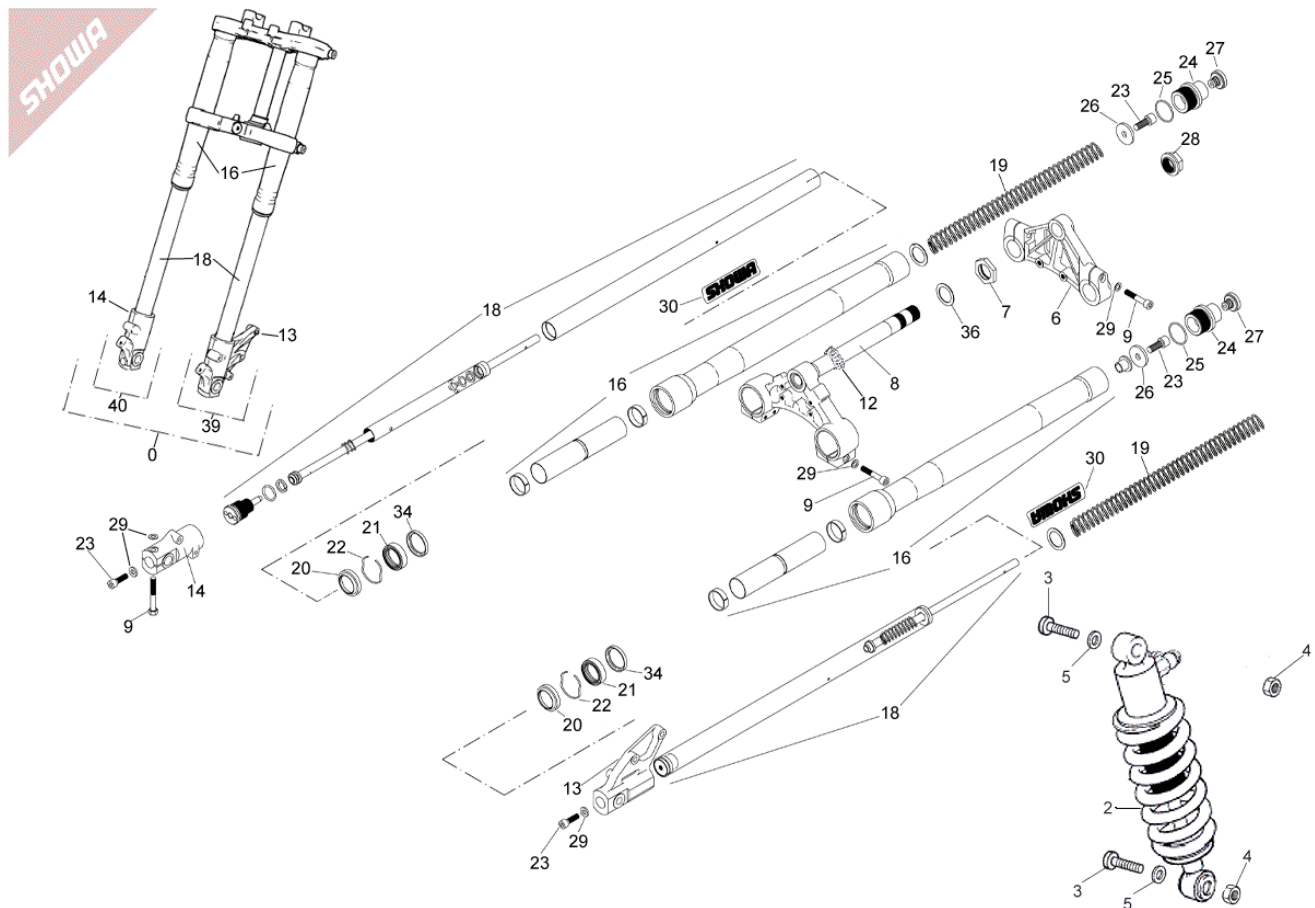
06 RS3\k10\MANILLARES AND CONTROLS

- 1 0/000.660.7104 PLATINA SUPERIOR
- 2 0/000.720.5000 LEFT INTERRUPTOR
- 3 0/000.720.6000 RIGHT INTERRUPTOR STARTING
- 4 0/000.170.7002 HANDLEBARS DERECHO/IZQUIERDO
- 5 0/000.820.7009 CUTO COMPLETE FRONT BRAKE
- 6 0/000.460.0345 SCREW PLATINA SUBJECTION HANDLEBARS
- 7 0/000.830.0310 MANETA ENGAGES THE CLUTCH SINGLE
- 8 0/000.460.1530 SCREW MANETA ENGAGES THE CLUTCH
- 9 0/000.470.0660 WHARF MANETA EMERGUE
- 10 0/000.340.0170 NUT MANETA ENGAGES THE CLUTCH
- 11 0/000.830.5110 SINGLE STARTER LEVER
- 13 0/000.550.5002 CABLE STARTER
- 14 0/000.550.5007 CABLE ENGAGES THE CLUTCH
- 15 0/000.640.5700 TENSILE CABLE ENGAGES THE CLUTCH
- 16 0/000.550.5005 GAS CABLE
- 18 0/000.640.7227 CUTO KIT REPAIR FRONT PUMP BRAKE
- 19 0/000.830.7101 SINGLE MANETA FRONT BRAKE
- 20 0/000.460.0421 SCREW SUBJECTION MANETA
- 21 0/000.720.0075 INTERRUPTOR STOP FRONT BRAKE
- 24 0/000.530.0420 GAME GRIPS HANDLEBARS
- 25 0/000.530.7000 COMPLETE GAS FIST C/GOMA
- 26 0/000.830.7000 CUTO MANETA ENGAGES THE CLUTCH COMPLETES
- 27 0/000.820.7011 FRONT PUMP BRAKE C/MANETA
- 28 0/000.290.7107 TUBE CLICH3E FRONT BRAKE
- 29 0/000.440.1040 TOGETHER WASHER FRONT BRAKE



07 RS3\k10\WHEELS AND CONTROLS

1	0/001.090.7005	FRONT DISC ϕ 280
2	0/000.980.7100	SUPPORT FRONT CLAMP BRAKE
3	0/000.640.0110	CLIPS SUBJECTION TABLETS
4	0/000.860.7005	FRONT CLAMP BRAKE
5	0/000.930.7000	GAME TABLETS FRONT BRAKE
6	0/000.460.0345	SCREW CLAMP BRAKE
7	0/000.640.0415	CJTO REPAIR FRONT CLAMP BRAKE
8	0/000.340.0186	NUT AXIS ROLLS
9	0/000.480.5032	SEPARATING WHEEL ϕ 22X3,5
10	0/000.480.7011	SEPARATING WHEEL OF. STRAIGHT
11	0/000.460.5001	SCREW DISC OF. M6X16
12	0/000.960.0050	RODAMINETOS ROLLS FRONT
13	0/000.480.5039	INNER SEPARATOR RIM OF.
15	0/000.190.7100	AXIS ROLLS FRONT
16	0/000.230.7013	INTEGRAL RIM FRONT RS3
17	0/000.510.0553	FRONT COVER 100/80-17
19	0/001.050.7002	CHAIN 420 GSX 134 STEPS
20	0/000.190.7201	AXIS ROLLS BACK
21	0/000.480.7011	SEPARATOR
22	0/000.460.5002	SCREW PLATE DRAGS M8x25
23	0/000.500.7002	PLATE DRAG RS3 50c.c
24	0/000.960.0050	BEARINGS ROLL
25	0/000.480.5040	SEPARATOR INTERNO RIM AFTER.
26	0/000.510.0563	BACK COVER 130/70-17
27	0/000.230.2003	BACK INTEGRAL RIM
29	0/000.440.0123	WASHER NUT ROLLS
30	0/000.640.7229	CJTO REPAIR PUMP BACK BRAKE
31	0/000.980.7054	SUPPORT CLAMP BACK BRAKE
32	0/000.460.0340	SCREW HAS SUPPORTED CLAMP
33	0/000.930.7002	GAME TABLETS BACK BRAKE
34	0/000.860.7006	BACK CLAMP BRAKE
35	0/000.330.0101	SCREW RACORD TUBE BRAKE
36	0/000.640.7228	CJTO REPAIR CLAMP BACK BRAKE
37	0/000.820.7012	PUMP BACK BRAKE
38	0/000.720.0075	BACK INTERUPTOR STOP
39	0/000.290.7102	TUBE BACK BRAKE
40	0/000.820.7102	CJTO COMPLETE BACK BRAKE
42	0/001.090.7105	DISC BACK BRAKE
43	0/000.460.5002	SCREW BACK DISC M8x18
44	0/000.640.7000	CJTO VALVE TUBELESS
45	0/000.440.1040	TOGETHER WASHER BACK BRAKE
46	0/001.010.7010	SPEED SENSOR

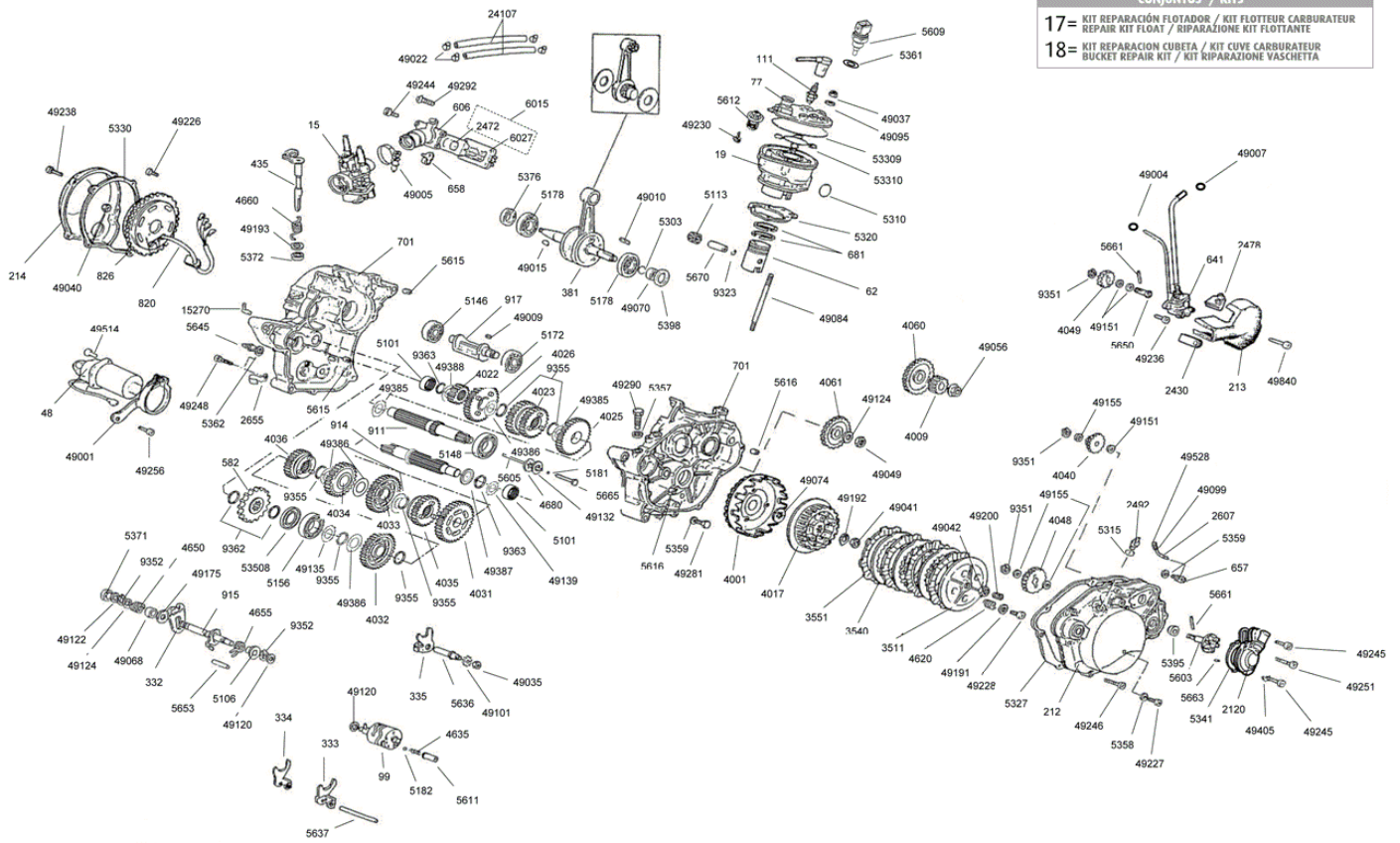


08 RS3\k10\SUSPENSION

0	0/000.130.7040	COMPLETE FORK
2	0/000.180.7001	SHOCK ABSORBER
3	0/000.460.0402 (BOLSA 5 uds)	TLLLO DIN 912 JS500 M10x50
4	0/000.340.0182 (BOLSA 5 uds)	TUERCA M10 AUTOBL/DIN6926/JS500
5	0/000.460.0350	NUT
6	0/000.660.7104	UPPER FORK PLATE
7	0/000.340.0550	UPPER FORK NUT
8	0/000.660.7301	LOWER PLATE WITH SHANK
9	0/000.460.0350	NUT, M8 X 35
12	0/000.960.0200	STEERING BEARING
13	0/000.880.7022	RIGHT FORK TIP
14	0/000.880.7022	LEFT FORK TIP
16	0/000.880.7010	LEFT / RIGHT BOTTLE
17	0/000.480.7100	SPRING SPACER
18	0/000.290.7210	COMPLETE FORK BAR
19	0/000.470.7310	FORK SPRING
20	0/000.890.6001	DUST GUARD
21	0/000.890.5000	OIL RETAINER
22	0/000.300.5000	FASTENING RING
23	0/000.460.0345 (BOLSA 5 uds)	TORNILLO DIN.912 M8 X 25 JS-500
24	0/000.410.5201	UPPER BAR PLUG
25	0/000.490.5000	O-RING
26	0/000.440.5100	WASHER
27	0/000.410.5200	UPPER BAR PLUG
28	0/000.340.7101	LOWER PLUG
29	0/000.440.0180	O-RING
30	0/000.390.0005	ADHESIVO SHOWA
34	0/000.980.5200	STOP SPACER RING
36	0/000.440.0050 (BOLSA 5 uds)	ARAND.TUERCA TIJA Q35 X 25 X 1
39	0/000.640.7310	RIGHT LEG COMPLETE
40	0/000.640.7320	LEFT LEG COMPLETE

CONJUNTOS / KITS

- 17= KIT REPARACIÓN FLOTADOR / KIT FLOTTEUR CARBURATEUR
REPAIR KIT FLOAT / RIPARAZIONE KIT FLOTTANTE
- 18= KIT REPARACION CUBETA / KIT CUVE CARBURATEUR
BUCKET REPAIR KIT / KIT RIPARAZIONE VASCETTA



00 RS3\k10\ENGINE#1

- 99 0/005.090.0330 TREE
- 332 0/005.330.0217 FORK SENDS SELECTOR
- 333 0/005.330.0060 FORK CONTROL CHANGE 1a AND 3a
- 334 0/005.330.0070 FORK CONTROL CHANGE 2a AND 3a
- 335 0/005.330.0080 FORK CONTROL CHANGE 5a AND 6a
- 435 0/005.430.0320 WEIGH CLUTCH COMPLETE
- 657 0/005.650.1421 BRIDGE REGISTERS CABLE OIL PUMP PRICOL
- 657 0/005.650.1420 BRIDGE REGISTERS CABLE OIL PUMP
- 658 0/005.650.1410 BRIDGE CABLE CLUTCH
- 2467 0/005.240.2050 ENTERED MUFF DILUTES ON PUMP
- 2472 0/005.240.2117 INSERT VALVE OF SHEETS
- 2492 0/005.247.0547 PLUG FEEDING OIL
- 3551 0/005.350.3580 DISK LINED CLUTCH
- 4040 0/005.400.4787 INTERMEDIATE DOUBLE PINENUT Z = 13/24
- 4049 0/005.400.5757 PINENUT PUMP OILS
- 4610 0/005.460.1070 SPRING EXHAUST
- 4635 0/005.460.3510 SPRING RETAINS MARCH
- 4650 0/005.460.1967 SPRING RETAINS FORK SELECTOR
- 4655 0/005.460.2027 SPRING RETAINS LEVER SELECTOR
- 4660 0/005.460.2200 SPRING RECOVERY WEIGHS CLUTCH
- 4680 0/005.460.3010 WASHER-SPRING
- 5101 0/005.510.1029 CAGE OF ROLLERS DB 14-12
- 5106 0/005.510.1297 CAP FOR SELECTOR SPRING
- 5146 0/005.510.2039 BEARING 015 x 25 x 11
- 5148 0/005.510.2059 BEARING 017 x 40 x 12
- 5156 0/005.510.2159 BEARING 020 x 47 x 14
- 5172 0/005.510.2299 BEARING 017 x 40 x 12
- 5178 0/005.510.2652 BEARING 017 x 47 x 14
- 5181 0/005.510.4039 BALL 3/16"
- 5182 0/005.510.4079 BALL 09 MM
- 5308 0/005.530.1149 SPRING 019 x 1,2
- 5318 0/005.530.1329 SPRING OF RETENTION 011,8 x 2,4
- 5320 0/005.530.8020 (BOLSA 5 uds) JUNTA CILINDRO AM-5
- 5327 0/005.530.3640 (BOLSA 5 uds) JUNTA TAPA EMBRAGUE AM-5
- 5341 0/005.530.4000 (BOLSA 5 uds) JUNTA CUERPO BOMBA AGUA AM-5
- 5357 0/005.530.4710 SCREW GASKET
- 5358 0/005.530.4720 SCREW 6 x 12 OIL LEVEL GASKET
- 5359 0/005.530.4730 (BOLSA 5 uds) JUNTA FIBRA 8*14
- 5361 0/005.530.4750 SCREW WATER EXIT 14,1 x 22 x 1 GASKET
- 5362 0/005.530.4790 NEUTRAL INDICATOR GASKET
- 5371 0/005.530.5019 (BOLSA 5 uds) RETEN DE 12*22*7 mm.
- 5372 0/005.530.5029 (BOLSA 5 uds) RETEN 15*24*5 mm.
- 5376 0/005.530.5069 (BOLSA 5 uds) RETEN DE 17*35*8
- 5395 0/005.530.5339 DETENT 10 x 18 x 8
- 5395 0/005.530.5339 (BOLSA 5 uds) RETEN 10*18*8 RST/80
- 5398 0/005.530.5379 (BOLSA 5 uds) RETEN 24x35x7 (VITON) LADO EMBR.
- 5603 0/005.560.0080 FASTNER BOMB DILUTES
- 5605 0/005.560.1460 BAR PUSHER CLUTCH 05 x 116,6
- 5611 0/005.560.2070 PIN
- 5612 0/006.050.0077 THERMOSTAT "BEHR THOMSON No 1085"
- 5615 0/005.560.2580 CRANKCASE GUIDE 011,5 x 12
- 5616 0/005.560.2610 CRANKCASE GUIDE 08,51 x 7,6
- 5636 0/005.560.9010 SHAFT 7,8 x 72
- 5637 0/005.560.9020 SHAFT 7,8 x 91,5
- 5645 0/005.560.3570 SWITCH DEAD POINT
- 5650 0/005.560.9777 SHAFT OIL PUMP
- 5653 0/005.560.9787 SHAFT
- 5661 0/005.560.4007 ROLLER 03 x 21,8 FOR PINENUT BOMB
- 5663 0/005.560.4017 ROLLER 04 x 10 BODY BOMB
- 5665 0/005.560.5510 PUSHER CLUTCH 013 IN HEAD
- 5670 0/005.560.6100 PISTON PIN
- 6013 0/005.600.1290 BODY BOMB DILUTES (FRAM.GT 832222)
- 6013 0/005.600.1280 BODY BOMB DILUTES (FRAM.LT 832221)
- 15270 0/005.150.6489 JOINT
- 15320 0/005.150.7690 BENT TUBE 40 GR. WITH SCREW AND NUT
- 49004 0/005.490.0479 BAND FOR TUBE OILS

- 49007 0/005.490.0269 BAND FOR ENTERED TUBE OILS TO THE BOMB
- 49009 0/005.490.1120 LOCKNUT 4 x 4 x 8
- 49010 0/005.490.1180 LOCKNUT 4 x 4 x 20 FOR SPROCKET
- 49015 0/005.490.1248 LOCKNUT 3 x 3,7 x 10 FLYWHEEL
- 49035 0/005.490.3059 METRIC NUT 7 x 5,5
- 49037 0/005.490.3570 (BOLSA 5 uds) TUERCA M1x1 AUTOBLOCANTE AM-5
- 49040 0/005.490.3490 (BOLSA 5 uds) TUERCA M10x1,25 FIJ. VOLANTE
- 49041 0/005.490.3370 METRIC NUT 12 x 1,25
- 49042 0/005.490.3240 METRIC NUT 14 x 1,25
- 49049 0/005.490.3420 METRIC NUT 12 x 1
- 49056 0/005.490.3470 (BOLSA 5 uds) TUERCA M-12x1,25 AM-5
- 49068 0/005.490.4127 SPACER 012,4 x 14,4 x 11
- 49074 0/005.490.4390 SPACER DRUM CLUTCH 013 x 30 x 4
- 49084 0/005.490.5140 METRIC SCREW 7 x 115
- 49095 0/005.490.6099 (BOLSA 5 uds) ARANDELA VISELADA
- 49101 0/005.490.6129 WASHER 07 JAGGED INTERIOR
- 49120 0/005.490.6406 (BOLSA 5 uds) ARANDELA 10 x 16 x 0,6 AM5
- 49122 0/005.490.6426 WASHER STEELS 012 x 17 x 0,6
- 49124 0/005.490.6440 WASHER STEELS 012,3 x 22
- 49132 0/005.490.6520 (BOLSA 5 uds) ARANDELA ACERO 17.2x30
- 49135 0/005.490.6556 WASHER STEELS 020,45 x 28 THICKNESS 0,6
- 49135 0/005.490.6554 (BOLSA 5 uds) ARANDELA 20.45x28
- 49139 0/005.491.6046 WASHER STEELS 014,5 x 27 THICKNESS 0,6
- 49139 0/005.491.6044 (BOLSA 5 uds) ARANDELA 14,5x27 RST 0,4 EVOL
- 49139 0/005.491.6044 WASHER STEELS 014,5 x 27 THICKNESS 0,4
- 49151 0/005.491.6096 WASHER STEELS 08,4 x 16 x 0,6
- 49155 0/005.491.6130 WASHER STEELS 08,2 x 15 x 1
- 49175 0/005.490.6800 WASHER 012,75 x 28 x 1,5
- 49191 0/005.490.6890 WASHER 05 x 15 x 2
- 49192 0/005.490.7000 (BOLSA 5 uds) ARANDELA 5x15x2
- 49200 0/005.490.8010 SCREW CLUTCH M14 x 1,25 x 18
- 49226 0/005.490.9389 (BOLSA 5 uds) TILLO METALICO 4X10 EVOL
- 49227 0/005.490.8420 METRIC SCREW 6 x 6
- 49228 0/005.491.9049 (BOLSA 5 uds) TORNILLO 5x20
- 49230 0/005.490.8460 METRIC SCREW 4 x 10
- 49236 0/005.490.8529 METRIC SCREW 5 x 16
- 49238 0/000.460.0290 METRIC SCREW 6 x 20
- 49244 0/005.490.8619 METRIC SCREW 6 x 20
- 49245 0/000.460.0311 METRIC SCREW 6 x 25
- 49246 0/000.460.0320 METRIC SCREW 6 x 30
- 49248 0/005.490.8659 METRIC SCREW 6 x 40
- 49251 0/005.490.8689 METRIC SCREW 6 x 55
- 49281 0/005.490.9119 METRIC SCREW 8 x 10
- 49290 0/005.490.9220 METRIC SCREW 12 x 1,25
- 49386 0/005.491.7621 WASHER
- 49840 0/005.497.0669 METRIC SCREW 5 x 35
- 53508 0/005.530.5499 (BOLSA 5 uds) RETEN 20*35*7 DIN 3760