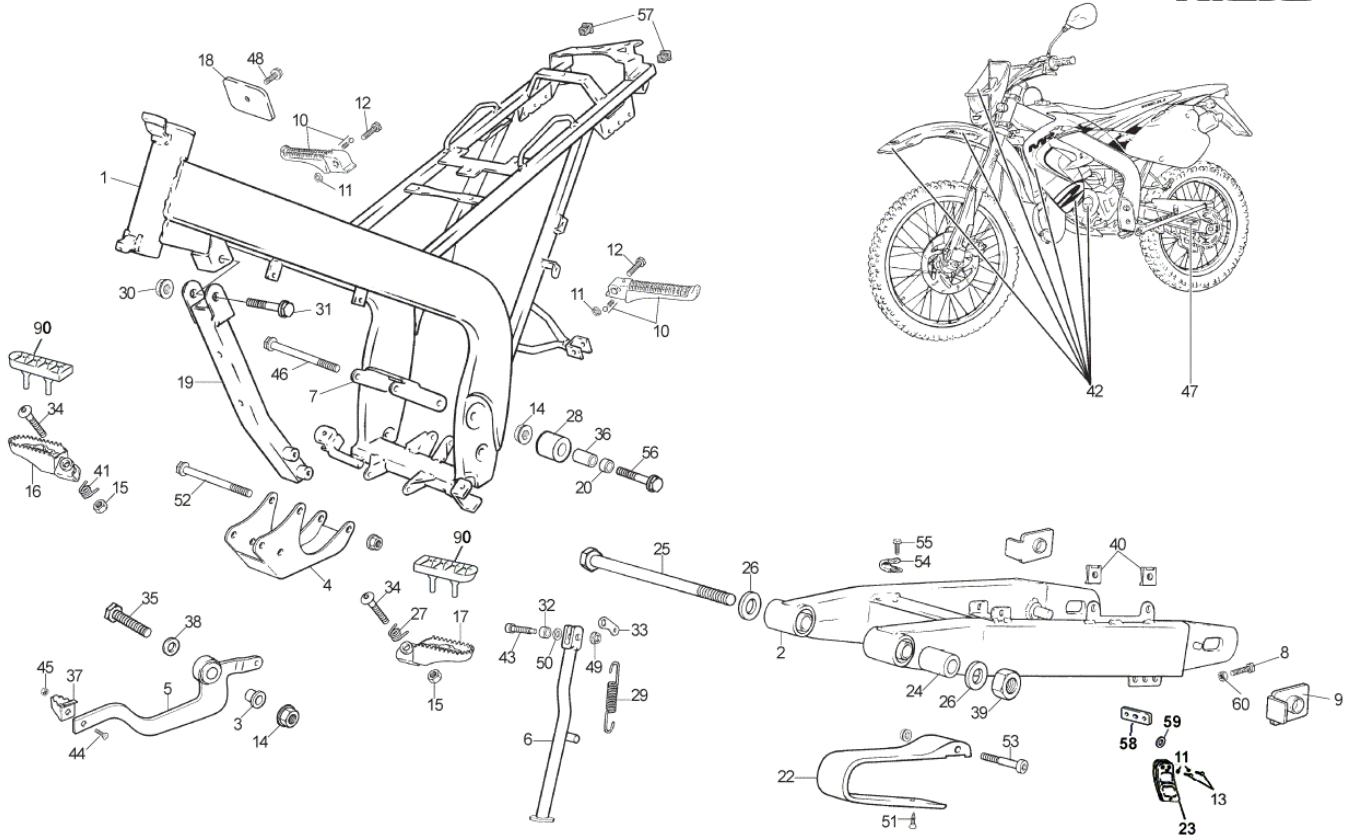
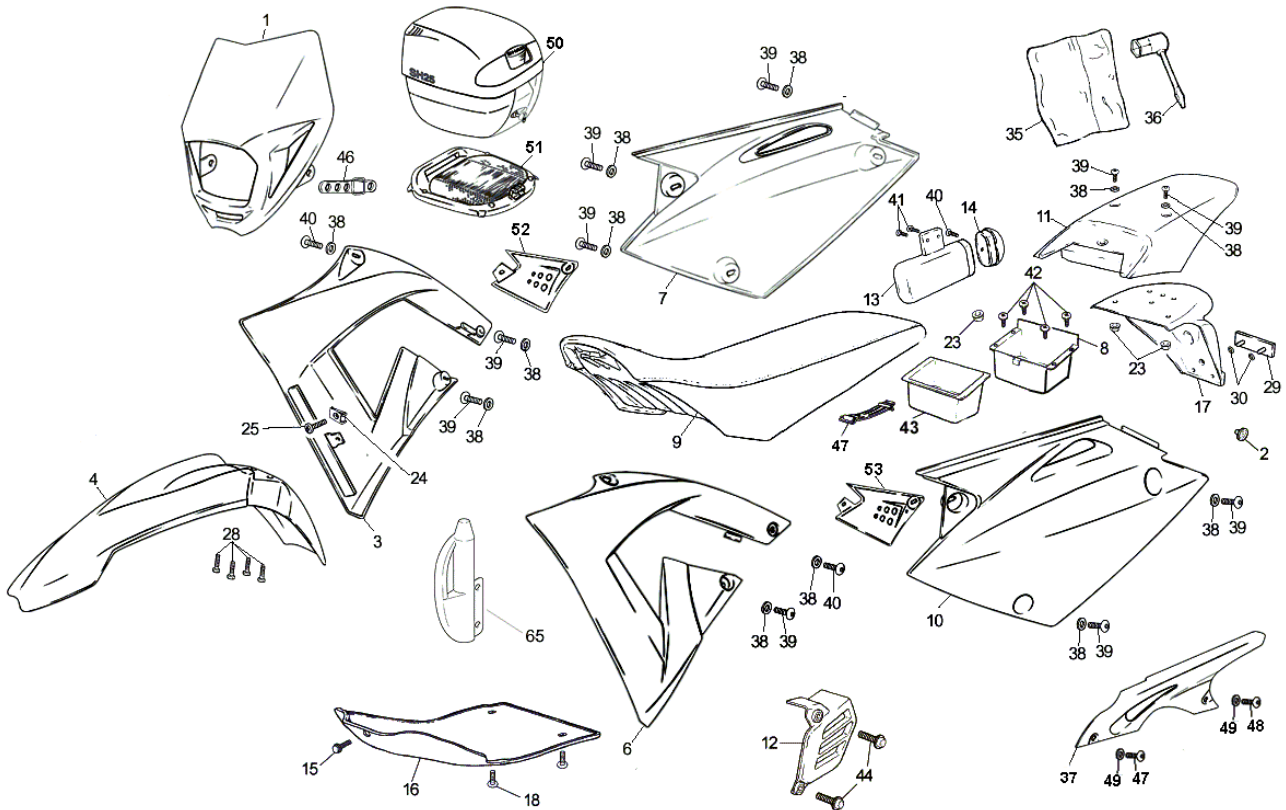


SMX 125 cc 2005



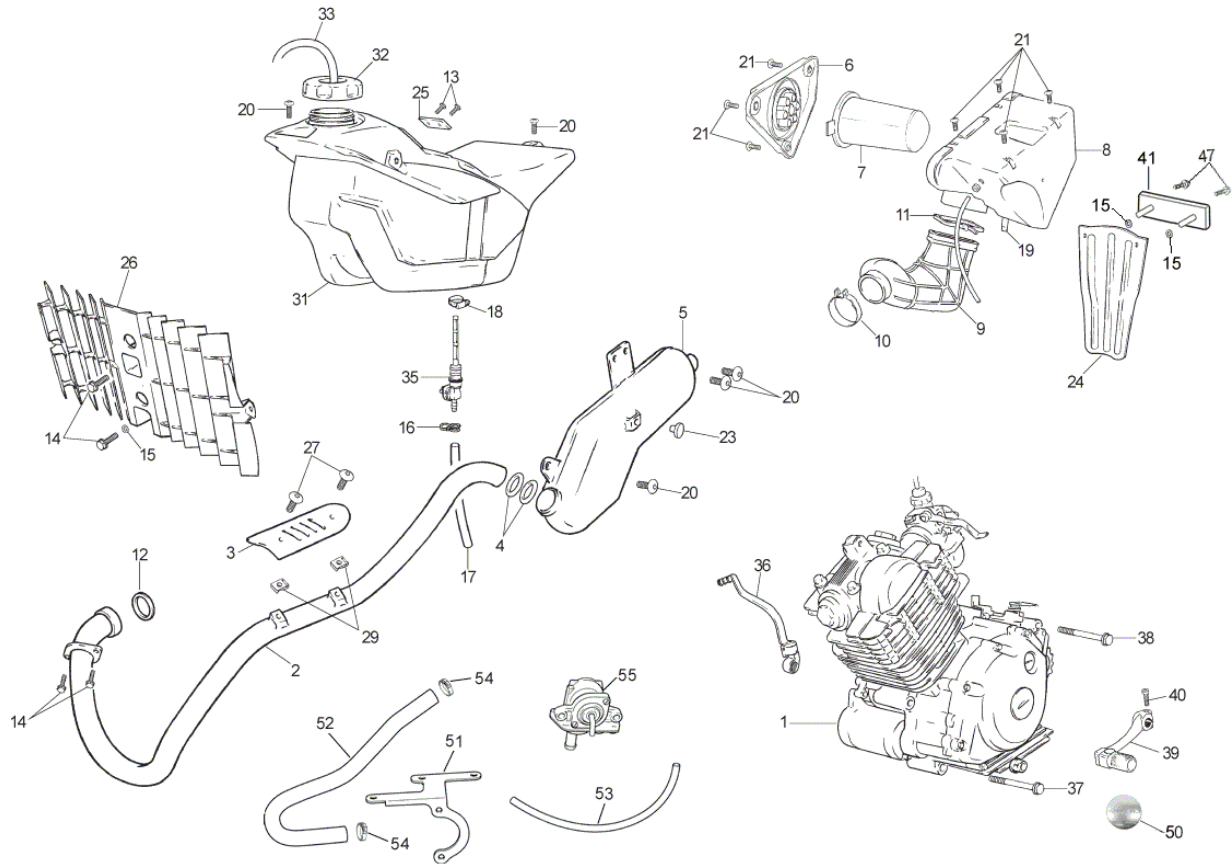
01_SMX\05y\CHASSIS

- | | |
|--|--|
| 1 0/000.010.6000 FRAME (FRAM.LT 510992) | 58 0/000.980.0820 SUPPORT |
| 1 0/000.010.6001 FRAME (FRAM.GT 510993) | 59 0/000.440.0131 WASHER |
| 2 0/000.020.5200 SUSINGING ARM (FRAM.LT 510992) | 60 0/000.340.0150 M6 NUT |
| 2 0/000.020.6001 SUSINGING ARM (FRAM.GT 510993) | 90 0/000.360.5006 FOOTREST RUBBER PROTECTION |
| 3 0/000.260.6000 BUSH | |
| 4 0/000.980.6001 BRACKET | |
| 5 0/000.730.6000 BRAKE PEDAL (FRAM.LT 700000) | |
| 5 0/000.730.6001 BRAKE PEDAL EURO 3 (FRAM.GT 700001) | |
| 6 0/000.210.6000 STAND | |
| 7 0/000.980.6003 BOLT (FRAM.GT 510993) | |
| 7 0/000.980.6000 BOLT (FRAM.LT 510992) | |
| 8 0/000.460.0480 BOLT, M6 | |
| 9 0/000.380.5100 WHEEL TENSOR | |
| 10 0/000.740.0221 LEFT PASSENGER FOOTREST 2009 | |
| 10 0/000.740.0211 RIGHT PASSENGER FOOTREST 2009 | |
| 10 0/000.740.0330 PASSENGER FOOTREST (IRON) | |
| 11 0/000.340.0170 (BOLSA 5 uds) TUERCA M6 AUTOBL/DIN6926/JS500 | |
| 12 0/000.460.0622 BOLT | |
| 13 0/000.460.0600 (BOLSA 5 uds) TILLO 6921-G8.8 JS500 M6x16 | |
| 14 0/000.340.0180 (BOLSA 5 uds) TUERCA M8 AUTOBL/DIN6926/JS500 | |
| 15 0/000.340.0182 (BOLSA 5 uds) TUERCA M10 AUTOBL/DIN6926/JS500 | |
| 16 0/000.740.0300 FOOTREST R / H | |
| 17 0/000.740.0310 FOOTREST L / H | |
| 18 0/000.630.5000 PLATE | |
| 19 0/000.980.6004 FRAME BRACE EURO 3 (FRAM.GT 700001) | |
| 19 0/000.980.6002 FRAME BRACE (FRAM.LT 700000) | |
| 20 0/000.480.0731 BUSH (FRAM.GT 510993) | |
| 20 0/000.480.6001 BUSH (FRAM.LT 510992) | |
| 22 0/000.360.5001 PROTECTOR | |
| 23 0/000.710.0300 CHAIN GUIDE | |
| 24 0/000.360.0370 BUSH | |
| 25 0/000.190.8000 SPINDLE (FRAM.GT 611189) | |
| 25 0/000.190.8001 SPINDLE (FRAM.LT 611188) | |
| 26 0/000.440.0123 (BOLSA 5 uds) ARANDELA PLANA DE 15 | |
| 27 0/000.470.5002 SPRING | |
| 28 0/000.360.6001 ROLLER | |
| 29 0/000.470.5000 STAND SPRING | |
| 30 0/000.340.0182 (BOLSA 5 uds) TUERCA M10 AUTOBL/DIN6926/JS500 | |
| 31 0/000.460.0403 BOLT | |
| 32 0/000.480.5001 BUSH | |
| 33 0/000.980.5006 LINK | |
| 34 0/000.460.5100 BOLT | |
| 35 0/000.460.0673 BOLT | |
| 36 0/000.480.0645 SPACER | |
| 37 0/000.660.5000 PAD | |
| 38 0/000.440.0160 (BOLSA 5 uds) ARANDELA LIS.8,5x17x1.25 GT-TT | |
| 39 0/000.340.5000 NUT | |
| 40 0/000.340.5101 (BOLSA 5 uds) TUERCA RAPIDA M6 DACROMET 500GR | |
| 41 0/000.470.5001 SPRING | |
| 42 0/000.390.5300 DECAL KIT BLACK | |
| 42 0/000.390.5301 DECAL KIT BLUE | |
| 43 0/000.460.3015 (BOLSA 5 uds) TILLO FIJACION CABALLETE MOD/MRX | |
| 44 0/000.460.0811 SCREW | |
| 45 0/000.340.0172 NUT | |
| 46 0/000.460.0550 (BOLSA 5 uds) TILLO 6921-G8.8 JS500 M8x100 | |
| 47 0/000.390.0777 DECAL SWING ARM | |
| 48 0/000.460.0610 (BOLSA 5 uds) TILLO. 6921-G8.8 JS500 M6x20 | |
| 49 0/000.340.0182 (BOLSA 5 uds) TUERCA M10 AUTOBL/DIN6926/JS500 | |
| 50 0/000.440.0110 (BOLSA 5 uds) ARANDELA BIS 10x24x1.5 | |
| 51 0/000.460.0745 (BOLSA 5 uds) TILLO.DIN-7982 5.5 X 19 | |
| 52 0/000.460.0510 BOLT | |
| 53 0/000.460.0322 BOLT | |
| 54 0/000.680.0300 CLIP | |
| 55 0/000.460.0740 BOLT | |
| 56 0/000.460.0491 BOLT | |
| 57 0/000.410.0131 PLUG | |



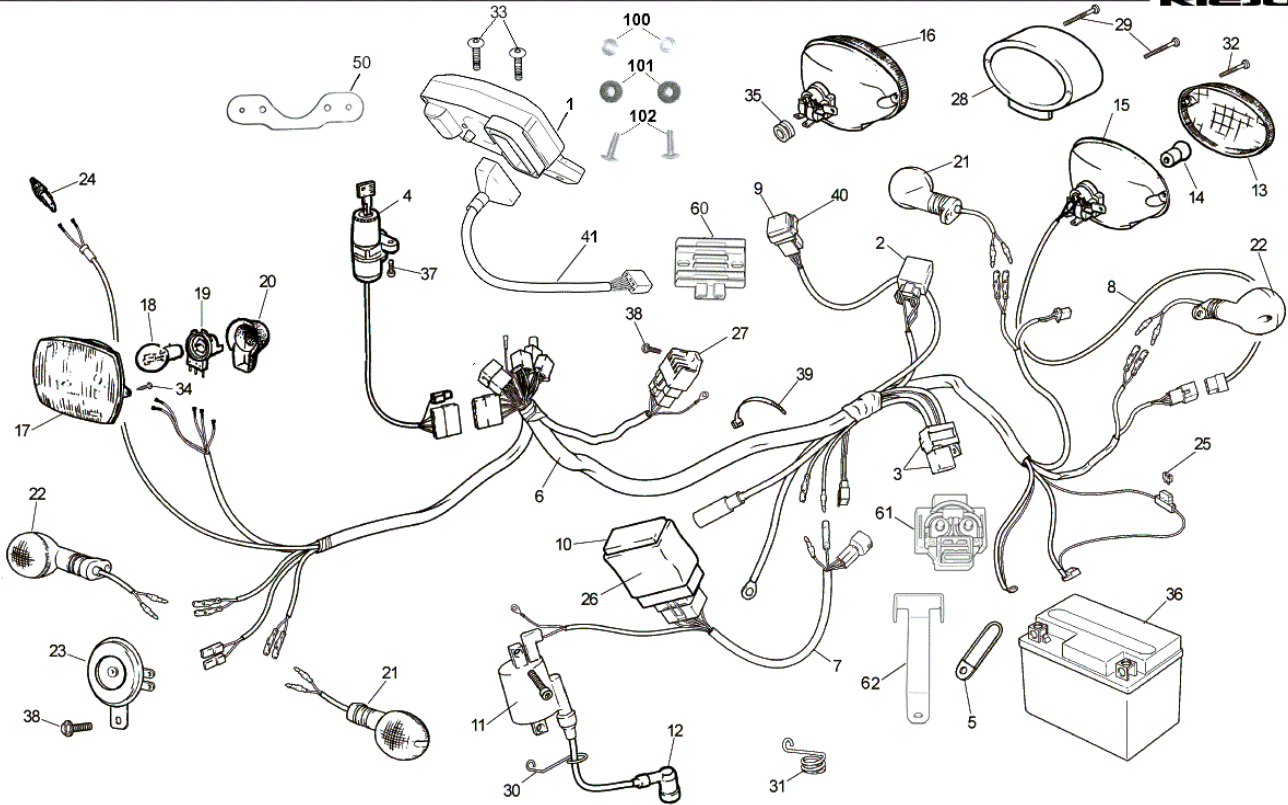
02 _SMX\05y\PLASTICS

- 1 0/000.620.5203 COWLING RED
- 1 0/000.620.5203 COWLING BLUE
- 2 0/000.630.0530 REFLECTOR
- 3 0/000.570.6408 PANEL R / H BLUE RADIATOR
- 3 0/000.570.6412 PANEL R / H RED RADIATOR
- 4 0/000.050.5019 FRONT MUDGUARD BLUE
- 4 0/000.050.5018 FRONT MUDGUARD POLISPORT BLACK
- 4 0/000.050.6103 FRONT MUDGUARD BLACK
- 6 0/000.570.6409 PANEL L / H BLUE RADIATOR
- 6 0/000.570.6413 PANEL L / H BLACK RADIATOR
- 7 0/000.570.5122 PANEL R / H BLUE
- 7 0/000.570.5126 PANEL R / H BLACK
- 8 0/000.980.5000 BATTERY BOX
- 9 0/000.040.6010 SEAT BLACK
- 9 0/000.040.6010 SEAT BLUE
- 10 0/000.570.5123 PANEL L / H BLUE
- 10 0/000.570.5127 PANEL L / H BLACK
- 11 0/000.060.6101 REAR MUDGUARD BLUE
- 11 0/000.060.6102 REAR MUDGUARD BLACK
- 12 0/000.220.6000 SPROCKET COVER
- 13 0/000.910.5001 TOOL BOX
- 14 0/000.910.5001 TOOL BOX CAP
- 15 0/000.460.0651 BOLT
- 16 0/000.220.8000 SUMP SHIELD
- 17 0/000.060.5100 NO. PLATE SUPPORT
- 18 0/000.460.1182 (BOLSA 5 uds) TILLO.ESPECIAL PLAST.M6 X 15
- 23 0/000.340.0170 (BOLSA 5 uds) TUERCA M6 AUTOBL/DIN6926/JS500
- 24 0/000.340.5100 (BOLSA 5 uds) TUERCA RAPIDA M5
- 25 0/000.460.1170 (BOLSA 5 uds) TILLO.DE PLASTICO M6X16 RS1
- 28 0/000.460.0600 (BOLSA 5 uds) TILLO 6921-G8.8 JS500 M6X16
- 29 0/000.630.0550 REFLECTOR
- 30 0/000.440.0400 CLIP
- 35 0/000.760.0020 TOOL BAG
- 36 0/000.970.6050 PLUG SPANNER
- 37 0/000.200.6000 CHAIN GUARD
- 38 0/000.440.5000 (BOLSA 5 uds) ARANDELA DE PLASTICO M6 6.2 X 14
- 39 0/000.460.1180 (BOLSA 5 uds) TILLO.ESPECIAL PLAST. M6X17.5 RS1
- 40 0/000.460.1189 (BOLSA 5 uds) TILLO ESPECIAL PLAST.M6X9
- 41 0/000.460.1190 (BOLSA 5 uds) TILLO.ESPECIAL PLAST.ESP/7380 M6X
- 42 0/000.460.1168 SCREW
- 43 0/000.980.5009 BATTERY PROTECTOR
- 44 0/000.460.0610 (BOLSA 5 uds) TILLO. 6921-G8.8 JS500 M6X20
- 46 0/000.360.0172 HEADLAMP SUPPORT
- 47 0/000.360.5003 BATTERY STRAP
- 50 0/001.800.0001 TOP CASE
- 51 0/000.620.0767 PORTE BAGAGE
- 52 0/000.570.5128 PLACA LATERAL DERECHA PEQUENA
- 53 0/000.570.5129 PLACA LATERAL IZQUIERDA PEQUENA
- 65 0/000.220.5100 REAR MASTER CYLINDER PROTECTOR



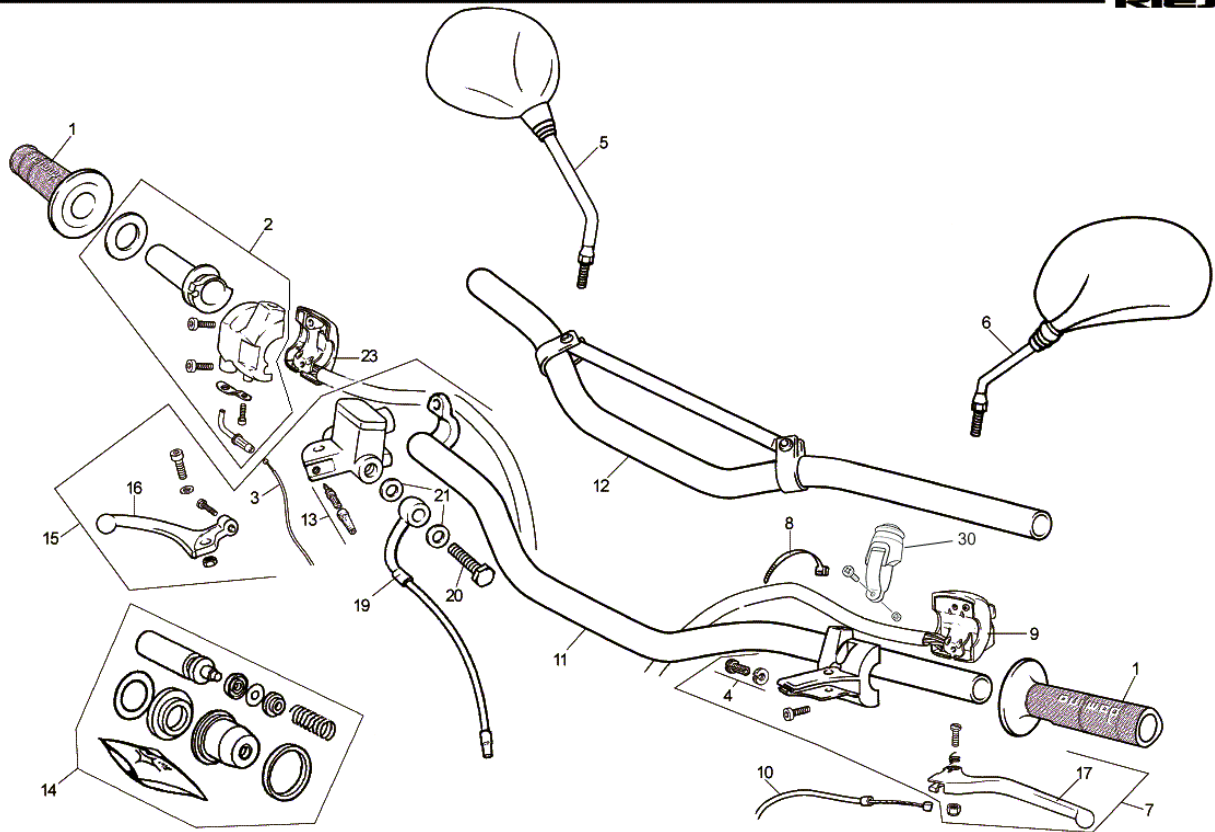
03 _SMX\05y\DEPOSIT, ESCAPE TUBE AND RADIATOR

- 1 0/005.082.6300 ENGINE COMPLETE EURO 3 (FRAM.GT 700001)
- 1 0/005.082.6200 ENGINE COMPLETE YBR 125 (FRAM.LT 700000)
- 2 0/000.290.6002 EXHAUST PIPE
- 3 0/000.220.6200 EXHAUST GUARD
- 4 0/000.490.6001 SEAL
- 5 0/000.870.6000 SILENCER
- 6 0/000.350.5003 FILTER CAP
- 7 0/001.070.6000 FILTER ELEMENT
- 8 0/000.910.6000 AIR FILTER COMPLETE
- 9 0/000.360.6019 AIR HOSE
- 10 0/000.680.6000 CLIP
- 11 0/000.680.5001 CLIP
- 12 0/000.490.6000 EXHAUST GASKET
- 13 0/000.460.0800 SCREW
- 14 0/000.460.0610 (BOLSA 5 uds) TILLO. 6921-GR,8 JS500 M6x20
- 14 0/000.460.0620 (BOLSA 5 uds) TILLO 6921-GR,8 JS500 M6x25
- 15 0/000.440.0130 (BOLSA 5 uds) ARANDELA LIS.6,5x17x1,5 TT-KS
- 16 0/000.680.0510 SPRING CLIP
- 17 0/000.290.0630 HOSE
- 18 0/000.680.0520 HOSE CLIP
- 19 0/000.360.5004 FILTER DRAIN HOSE
- 20 0/000.460.1180 (BOLSA 5 uds) TILLO.ESPECIAL PLAST. M6x17,5 RS1
- 21 0/000.460.1180 (BOLSA 5 uds) TILLO.ESPECIAL PLAST. M6x17,5 RS1
- 22 0/000.460.0600 (BOLSA 5 uds) TILLO 6921-GR,8 JS500 M6x16
- 23 0/000.360.0550 BUFFER
- 24 0/000.200.5100 RUBBER
- 25 0/000.980.5008 SEAT PLATE
- 26 0/000.220.5000 RADIATOR GRILLE
- 27 0/000.460.1189 (BOLSA 5 uds) TILLO ESPECIAL PLAST.M6X9
- 29 0/000.340.6000 (BOLSA 5 uds) TUERCA RAPIDA FIJACION ADORNA ES
- 31 0/000.030.6000 FUEL TANK
- 32 0/000.410.0500 TANK CAP
- 33 0/000.290.0570 ELIMINATED OF PRODUCTION. IT IS NOT POSSIBLE T
- 35 0/000.370.0500 FUEL TAP
- 36 0/005.430.6100 KICKSTART (FRAM.LT 510992)
- 36 0/005.430.6200 KICKSTART (FRAM.GT 510993)
- 37 0/000.460.0510 BOLT
- 38 0/000.460.0550 (BOLSA 5 uds) TILLO 6921-GR,8 JS500 M8x100
- 39 0/005.430.6000 FOOT LEVER SELECTOR
- 40 0/000.460.0311 BOLT
- 41 0/000.660.5003 PLATINA FIJ. CUBRE AMORTIGUADOR
- 50 0/000.390.5310 ALUMINIUM REJU ENGINE DECAL
- 51 0/000.980.6110 SOPORTE VALVULA AIS
- 52 0/000.640.6220 TUBO VALVULA A MOTOR
- 53 0/000.290.0632 TUBO GASOLINA NITRILICO NEGRO 5x8
- 54 0/000.680.8000 ABRAZADERA COBRA o 17
- 55 0/000.640.6100 VALVULA AIS



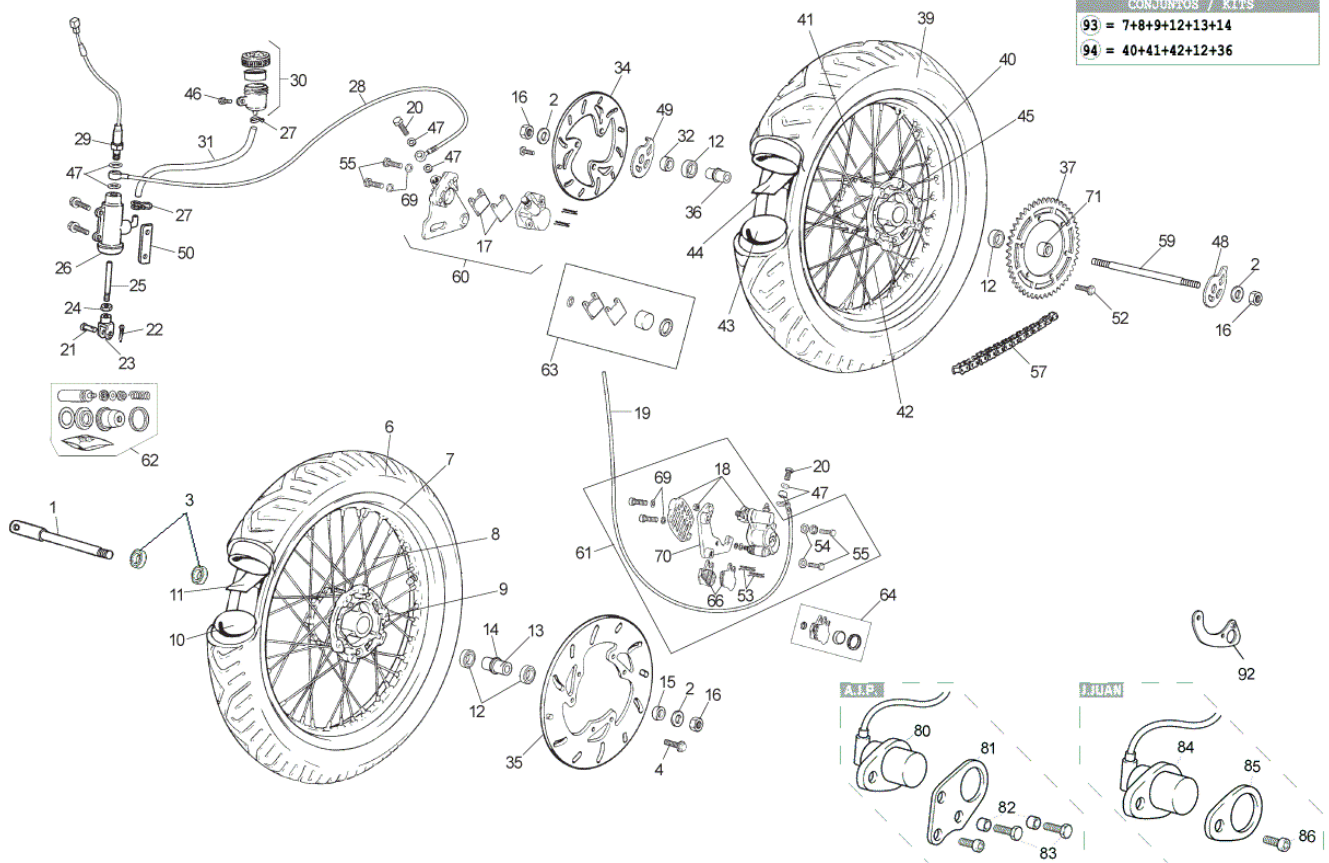
04 _SMX\05y\SYSTEM ELECTRICS AND LIGHTS

- 1 0/K01.000.2090 TABLIER DIGITAL MAE (SUBSTITUTION KIT)
- 2 0/001.200.6001 CONTACT RELAY (70Ah)
- 3 0/001.200.6002 CONTACT RELAY (40Ah)
- 4 0/001.060.8000 IGNITION KEY AND STEERING LOCK (FRAM.GT 700001)
- 4 0/001.060.0041 IGNITION KEY AND STEERING LOCK (FRAM.LT 700000)
- 5 0/000.980.5004 CLAMP
- 6 0/000.160.6016 WIRING HARNESS EURO 3 (FRAM.GT 700001)
- 6 0/000.160.6000 WIRING HARNESS (FRAM.LT 700000)
- 6 0/000.160.6015 WIRING HARNESS (FRAM.GT 511065)
- 6 0/000.160.6002 WIRING HARNESS (FRAM.GT 410800)
- 7 0/000.160.6001 HARNESS (FRAM.LT 410799)
- 7 0/000.160.6003 HARNESS (FRAM.GT 410800)
- 8 0/000.160.5003 TAIL LIGHT WIRE
- 9 0/001.200.5030 WINKER RELAY
- 10 0/005.070.6004 C.D.I. UNIT (FRAM.GT 410800)
- 10 0/005.070.6001 C.D.I. UNIT (FRAM.LT 410799)
- 10 0/005.070.6007 UNIDAD CDI EURO 3 (FRAM.LT 410799)
- 11 0/005.070.6002 COIL
- 12 0/005.110.6000 PLUG CAP
- 13 0/000.630.5001 TAIL LENS
- 14 0/000.850.0220 REAR BULB
- 15 0/000.980.5010 REAR LIGHT CASE
- 16 0/000.150.2000 REAR LIGHT ASSY
- 17 0/000.600.0252 HEAD LAMP
- 18 0/000.850.0055 HEAD LAMP BULB
- 19 0/000.620.0500 BULB HOLDER
- 20 0/000.360.0760 COVER
- 21 0/000.150.2200 FRONT L/H, REAR R/H INDICATOR (FRAM.LT 611191)
- 21 0/000.150.8001 FRONT L/H, REAR R/H INDICATOR (FRAM.GT 611192)
- 22 0/000.150.8000 FRONT R/H, REAR L/H INDICATOR (FRAM.GT 611192)
- 22 0/000.150.2100 FRONT R/H, REAR L/H INDICATOR (FRAM.LT 611191)
- 23 0/000.420.5010 HORN
- 24 0/000.720.0070 STOP SWITCH
- 24 0/000.640.7208 FRONT BRAKE STOP SWITCH FOR J.JUAN PUMP
- 25 0/000.910.0610 FUSE
- 26 0/000.360.6003 C.D.I. MOUNT (FRAM.GT 410800)
- 26 0/000.360.6002 C.D.I. MOUNT (FRAM.LT 410799)
- 27 0/005.070.6003 REGULATOR
- 27 0/005.070.6006 REGULATOR ENGINE 3D6/2005
- 28 0/000.480.6103 COVER
- 29 0/000.460.6200 SCREW
- 30 0/000.470.5006 CLIP
- 31 0/000.470.5007 CLIP
- 32 0/000.460.5200 (BOLSA 5 uds) TORNILLO DIN 7981 Q4.2 X 32
- 33 0/000.460.1170 (BOLSA 5 uds) TLLLO.DE PLASTICO MEX16 RS1
- 34 0/000.460.0756 SCREW
- 35 0/000.360.0490 GROMMET
- 36 0/000.900.6000 BATTERY
- 37 0/000.460.2003 SCREW
- 38 0/000.460.0600 (BOLSA 5 uds) TLLLO 6921-G8.8 JS500 M6x16
- 39 0/000.680.0070 ELIMINATED OF PRODUCTION. IT IS NOT POSSIBLE T
- 40 0/000.360.0841 RELAY MOUNT
- 41 0/000.160.2091 INSTALACION TABLIER DIGITAL MAE
- 50 0/000.980.5014 SOPORTE CTA.KMS.DIGITAL M.A.E.
- 60 0/005.070.6009 REGULADOR EURO 3
- 61 0/001.200.6003 RELE ARRANQUE EURO 3
- 62 0/000.980.6111 SOPORTE RELE EURO 3
- 100 0/000.260.7001 CASQUILLO SILENTBLOCK
- 101 0/000.360.0490 GOMA SILENTBLOCK
- 102 0/000.460.1185 TLLLO. ESP. ISO 7380 M6x20



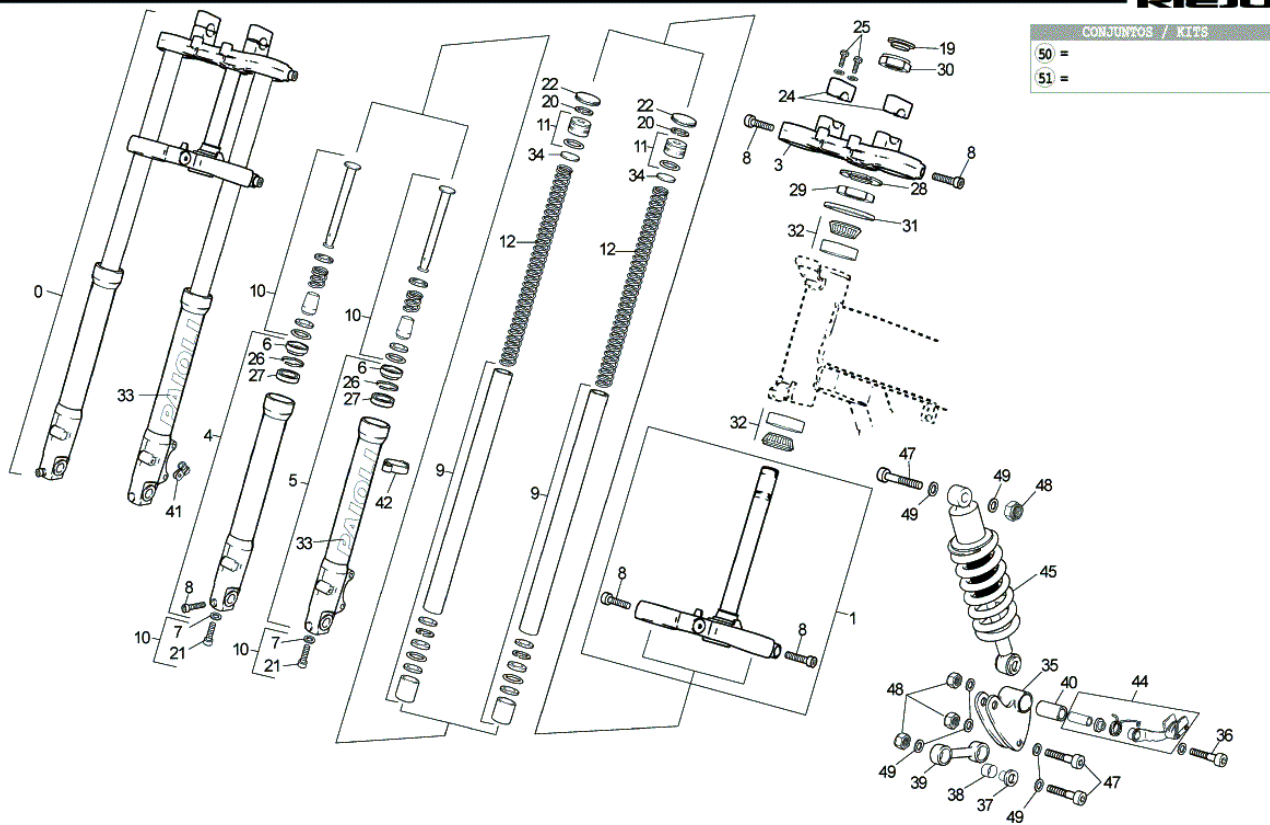
05 _SMX\05y\MANILLARES AND CONTROLS

- 1 0/000.530.5010 GRIPS
- 2 0/000.530.5000 TWIST GRIP ASSY
- 3 0/000.550.6000 THROTLE CABLE
- 4 0/000.640.5700 ADJUSTER
- 5 0/000.990.5001R / H MIRROR
- 6 0/000.990.5000L / H MIRROR
- 7 0/000.830.6000 CLUTCH LEVER ASSY
- 8 0/000.680.0070 ELIMINATED OF PRODUCTION. IT IS NOT POSSIBLE T
- 9 0/000.720.5000 SWITCH ASSY
- 10 0/000.550.6002 CLUTCH CABLE
- 11 0/000.170.5100 HANDLEBAR
- 13 0/000.720.0070 BRAKE SWITCH
- 13 0/000.640.7208 FRONT BRAKE STOP SWITCH FOR J.JUAN PUMP
- 14 0/000.640.0450 MASTER CYLINDER KIT
- 15 0/000.820.0300 MASTER CYLINDER
- 16 0/000.830.1000 FRONT BRAKE LEVER
- 17 0/000.830.0310 CLUTCH LEVER
- 19 0/000.290.5201 BRAKE HOSE
- 20 0/000.460.1300 (BOLSA 5 uds) TILLO,RACORD TUBO F.D.BREMO
- 21 0/000.440.1040 (BOLSA 5 uds) ARANDELA JUNTA FRENO DISCO
- 23 0/000.720.5001 SWITCH (FRAM.LT 700000)
- 23 0/000.720.6000 RIGHT SWITCH (FRAM.GT 700001)
- 30 0/000.720.0016 PULSADOR CUADRO INSTRUMENTOS (TRIP)



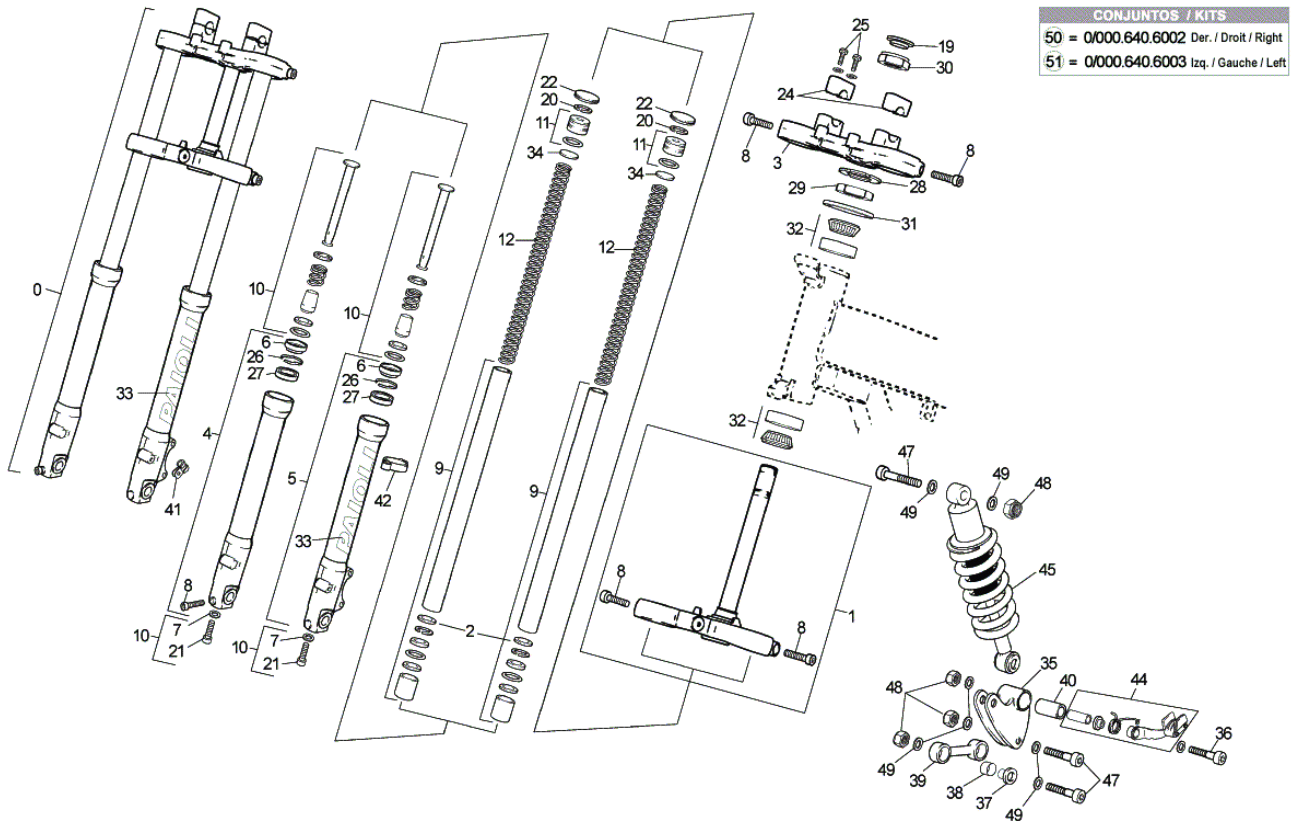
06 _SMX\05y\WHEELS AND CONTROLS

- | | |
|---|---|
| 0 0/000.120.6100 FRONT WHEEL COMPLETE | 64 0/000.640.0415 FRONT CALIPER REPAIR KIT |
| 0 0/000.110.5500 REAR WHEEL COMPLETE | 66 0/000.930.3005 DISC PADS FRONT |
| 1 0/000.190.5100 FRONT SPINDLE | 70 0/000.980.0661 MOUNTING BRACKET |
| 2 0/000.440.0123 (BOLSA 5 uds) ARANDELA PLANA DE 15 | 71 0/000.480.6101 SPACER |
| 3 0/000.960.0050 BEARING 6202 | 80 0/001.010.7008 VELOCITY SENSOR |
| 4 0/000.460.0610 (BOLSA 5 uds) TILLO. 6921-G8.8 JS500 M6x20 | 81 0/000.980.7043 SUPPORT VELOCITY SENSOR |
| 5 0/000.550.5000 SPEEDO CABLE | 82 0/000.480.5020 JAW SUPPORTS CLIPS |
| 6 0/000.510.0552 TYRE 100 / 80 - 17 SPORT DEMON | 83 0/000.460.0200 SCREW |
| 7 0/000.230.0520 WHEEL RIM | 84 0/001.010.7008 VELOCITY SENSOR |
| 8 0/000.540.5010 RADIOS 195x3.08 (FRAM.LT 611210) | 85 0/000.980.7042 SUPPORT VELOCITY SENSOR |
| 8 0/000.540.5003 SPOKE (FRAM.LT 611209) | 86 0/000.460.0280 SCREW |
| 9 0/000.070.0100 FRONT HUB (FRAM.LT 611209) | 92 0/000.980.5015 SENSOR SUPPORT CTA KM |
| 9 0/000.070.0120 CARRETE DELANTERO (FRAM.GT 611210) | 93 0/000.110.5502 RUEDA DELANTERA COMPLETA (FRAM.GT 611210) |
| 10 0/000.520.0540 INNER TUBE | 94 0/000.120.5502 RUEDA TRASERA COMPLETA (FRAM.GT 611210) |
| 11 0/000.220.0090 RIM TAPE | |
| 12 0/000.960.0050 BEARING | |
| 13 0/000.480.5006 SPACER | |
| 14 0/000.360.5410 SPACER | |
| 15 0/000.480.5000 SPACER | |
| 16 0/000.340.0300 (BOLSA 5 uds) TCA.FIJ.EJE CARRETE MTHON | |
| 17 0/000.930.0060 DISC PADS | |
| 18 0/000.860.0050 CALIPER | |
| 19 0/000.290.5201 BRAKE HOSE | |
| 20 0/000.460.1300 (BOLSA 5 uds) TILLO.RACORD TUBO F.D.BREMO | |
| 21 0/000.840.0090 CLEVIS PIN | |
| 22 0/000.840.0060 CLIP | |
| 23 0/000.130.0150 SHACKLE | |
| 24 0/000.340.0130 (BOLSA 5 uds) TUERCA ZINCADA M6 DIN 934.8 | |
| 25 0/000.240.5000 ROD | |
| 26 0/000.820.0306 MASTER CYLINDER | |
| 27 0/000.680.0500 HOSE CLIP | |
| 28 0/000.290.5202 BRAKE HOSE | |
| 29 0/000.720.0073 BRAKE SWITCH | |
| 30 0/000.030.0170 REAR BRAKE RESERVOIR | |
| 31 0/000.290.0243 HOSE | |
| 32 0/000.480.6102 SPACER | |
| 34 0/001.090.0251 REAR DISC | |
| 35 0/001.090.0201 FRONT DISC | |
| 36 0/000.480.5007 SPACER | |
| 37 0/000.500.6000 SPROCKET | |
| 39 0/000.510.0562 TYRE 130 / 70 - 17 SPORT DEMON | |
| 40 0/000.230.0532 WHEEL RIM (FRAM.GT 510993) | |
| 40 0/000.230.6150 WHEEL RIM (FRAM.LT 510992) | |
| 41 0/000.540.6020 SPOKE (FRAM.LT 611209) | |
| 41 0/000.540.5009 RADIOS 199x3.05 (FRAM.GT 611210) | |
| 42 0/000.540.5008 RADIOS 194x3.05 (FRAM.GT 611210) | |
| 42 0/000.540.6030 SPOKE (FRAM.LT 611209) | |
| 43 0/000.520.0550 INNER TUBE | |
| 44 0/000.220.0090 RIM TAPE | |
| 45 0/000.080.0100 REAR HUB (FRAM.LT 611209) | |
| 45 0/000.080.0120 CARRETE TRASERO (FRAM.GT 611210) | |
| 46 0/000.460.0600 (BOLSA 5 uds) TILLO 6921-G8.8 JS500 M6x16 | |
| 47 0/000.440.1040 (BOLSA 5 uds) ARANDELA JUNTA FRENO DISCO | |
| 48 0/000.380.5001R / H CHAIN TENSIONER | |
| 49 0/000.380.5000L / H CHAIN TENSIONER | |
| 50 0/000.980.5007 PLATE | |
| 52 0/000.460.0672 SCREW DIN 6921 M8X35 | |
| 53 0/000.640.0110 DISC PAD PIN | |
| 54 0/000.440.0180 WASHER | |
| 55 0/000.460.0673 BOLT | |
| 57 0/001.050.6000 CHAIN | |
| 59 0/000.190.5200 REAR SPINDLE | |
| 60 0/000.860.5000 REAR CALIPER | |
| 61 0/000.820.0701 FRONT CALIPER | |
| 62 0/000.640.0470 MASTER CYLINDER REPAIR KIT | |
| 63 0/000.640.0420 REAR CYLINDER REPAIR KIT | |



07 _SMX\05y\SUSPENSION

- 0 0/000.130.6000 FORKS COMPLETE
- 1 0/000.660.6003 LOWER YOKE
- 3 0/000.660.6002 UPPER YOKE
- 4 0/000.880.6000R / H FORK LEG ASSY
- 5 0/000.880.6001L / H FORK LEG ASSY
- 6 0/000.890.6001 SEAL
- 7 0/000.440.0180 WASHER
- 8 0/000.460.0350 BOLT
- 9 0/000.290.6100 FORK INNER TUBE
- 10 0/000.290.6101 VALVE ASSY
- 11 0/000.640.6004 BUFFER
- 12 0/000.470.6100 FORK SPRING
- 19 0/000.410.6001 PLUG
- 20 0/000.300.6000 CIRCLIP
- 22 0/000.410.6000 PLUG
- 24 0/000.350.6003 CLAMP
- 25 0/000.460.0352 BOLT
- 26 0/000.300.6001 CIRCLIP
- 27 0/000.890.6002 OIL SEAL
- 28 0/000.440.0050 (BOLSA 5 uds) ARAND.TUERCA TIJA Q35 X 25 X 1
- 29 0/000.340.6001 NUT
- 30 0/000.340.6002 NUT
- 31 0/000.200.7000 COVER
- 32 0/000.960.0200 STEERING BEARING
- 33 0/000.390.5201 DECAL
- 34 0/000.480.6200 SPACE SPRING
- 35 0/000.980.0630 GUIDE
- 36 0/000.460.0407 BOLT
- 39 0/000.770.0104 SPECIAL LINK 125 /50
- 40 0/000.360.0370 BUSH
- 41 0/000.480.1550 SLEEVE
- 41 0/000.680.0300 CLIP
- 42 0/000.680.5020 GUIDE
- 43 0/000.470.5004 SPRING
- 44 0/000.380.6000 TENSIONER ASSY
- 44 0/000.380.5002 TENSIONER ARM
- 45 0/000.180.6000 SHOCK (FRAM.LT 527824)
- 45 0/000.180.0702 SHOCK (FRAM.GT 527825)
- 46 0/000.180.0702 SHOCK
- 47 0/000.460.0402 (BOLSA 5 uds) TLO DIN 912 JS500 M10x50
- 48 0/000.340.0182 (BOLSA 5 uds) TUERCA M10 AUTOBL/DIN6926/JS500
- 49 0/000.440.0110 (BOLSA 5 uds) ARANDELA BIS 10x24x1.5
- 50 0/000.640.6000R / H FORK LEG COMPLETE
- 51 0/000.640.6001L / H FORK LEG COMPLETE



CONJUNTOS / KITS
50 = 0/000.640.6002 Der. / Droit / Right
51 = 0/000.640.6003 Izq. / Gauche / Left



08 _SMX\05y\SUSPENSION

- 0 0/000.130.6001 FORKS COMPLETE
- 1 0/000.660.6004 LOWER YOKE
- 2 0/000.480.6105 CONO FINAL CARRERA
- 3 0/000.660.6005 UPPER YOKE
- 4 0/000.880.6003 R / H FORK LEG ASSY
- 5 0/000.880.6002 L / H FORK LEG ASSY
- 6 0/000.890.5003 SEAL
- 7 0/000.440.0181 WASHER
- 8 0/000.460.0350 BOLT
- 9 0/000.290.6103 FORK INNER TUBE
- 10 0/000.290.6102 VALVE ASSY
- 11 0/000.640.6004 BUFFER
- 12 0/000.470.6101 FORK SPRING
- 19 0/000.410.6001 PLUG
- 20 0/000.300.6002 CIRCLIP
- 21 0/000.460.4020 TORNILLO FIJ.TUBO PRINCIPAL HORQ.
- 22 0/000.410.8001 PLUG
- 24 0/000.350.6003 CLAMP
- 25 0/000.460.0352 BOLT
- 26 0/000.300.6003 CIRCLIP
- 27 0/000.890.6003 OIL SEAL
- 28 0/000.440.0050 (BOLSA 5 uds) ARAND.TUERCA TIJA Q35 X 25 X 1
- 29 0/000.340.6001 NUT
- 30 0/000.340.6002 NUT
- 31 0/000.200.7000 COVER
- 32 0/000.960.0200 BEARING
- 33 0/000.390.5204 DECAL
- 34 0/000.480.6200 SPACE SPRING
- 35 0/000.980.0630 GUIDE
- 36 0/000.460.0407 BOLT
- 39 0/000.770.0104 COMPLETE LINK
- 40 0/000.360.0370 BUSH
- 41 0/000.480.1550 SLEEVE
- 41 0/000.680.0300 CLIP
- 42 0/000.680.5020 GUIDE
- 43 0/000.470.5004 SPRING
- 44 0/000.380.5002 TENSIONER ARM
- 44 0/000.380.6000 TENSIONER ASSY
- 45 0/000.180.0702 SHOCK
- 47 0/000.460.0402 (BOLSA 5 uds) TILLO DIN 912 JS500 M10x50
- 48 0/000.340.0182 (BOLSA 5 uds) TUERCA M10 AUTOBL/DIN6926/JS500
- 49 0/000.440.0110 (BOLSA 5 uds) ARANDELA BIS 10x24x1.5
- 50 0/000.640.6002 R / H FORK LEG COMPLETE
- 51 0/000.640.6003 L / H FORK LEG COMPLETE