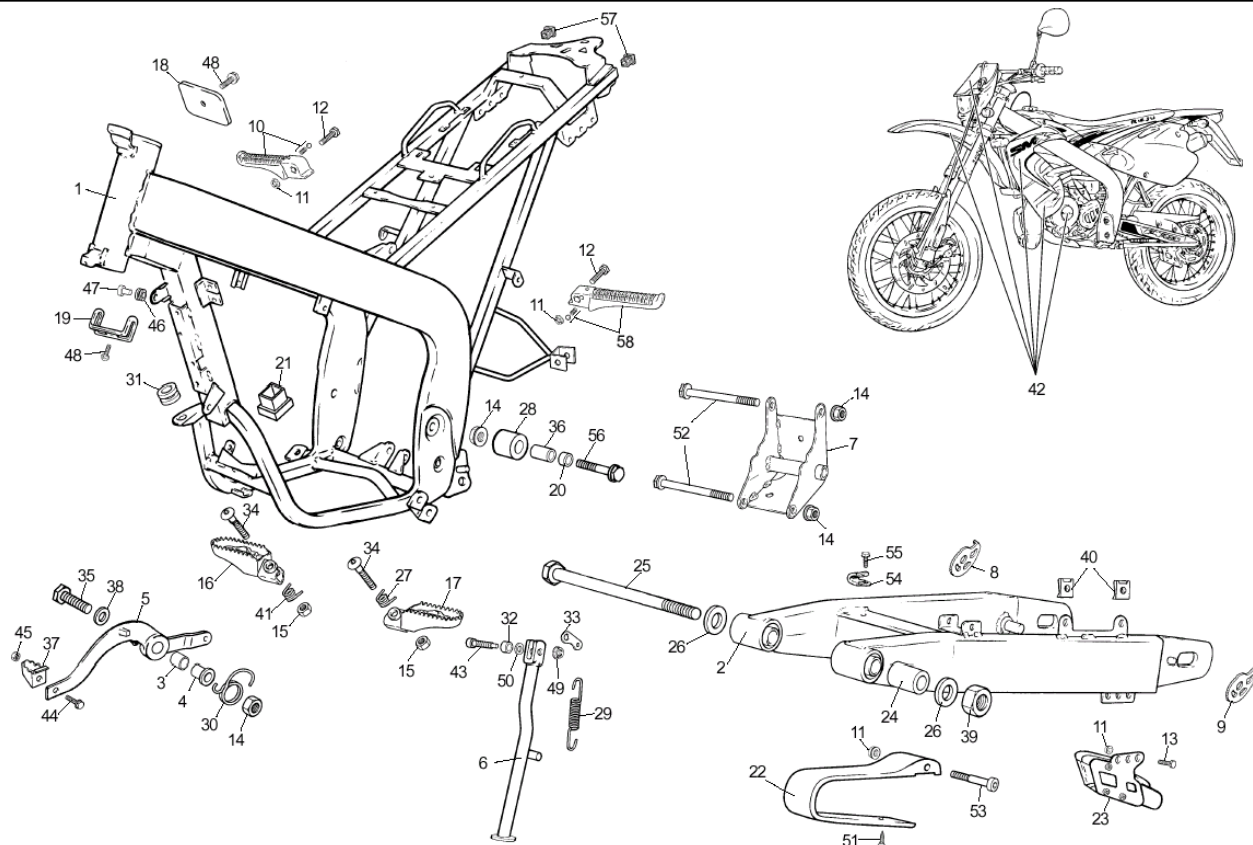


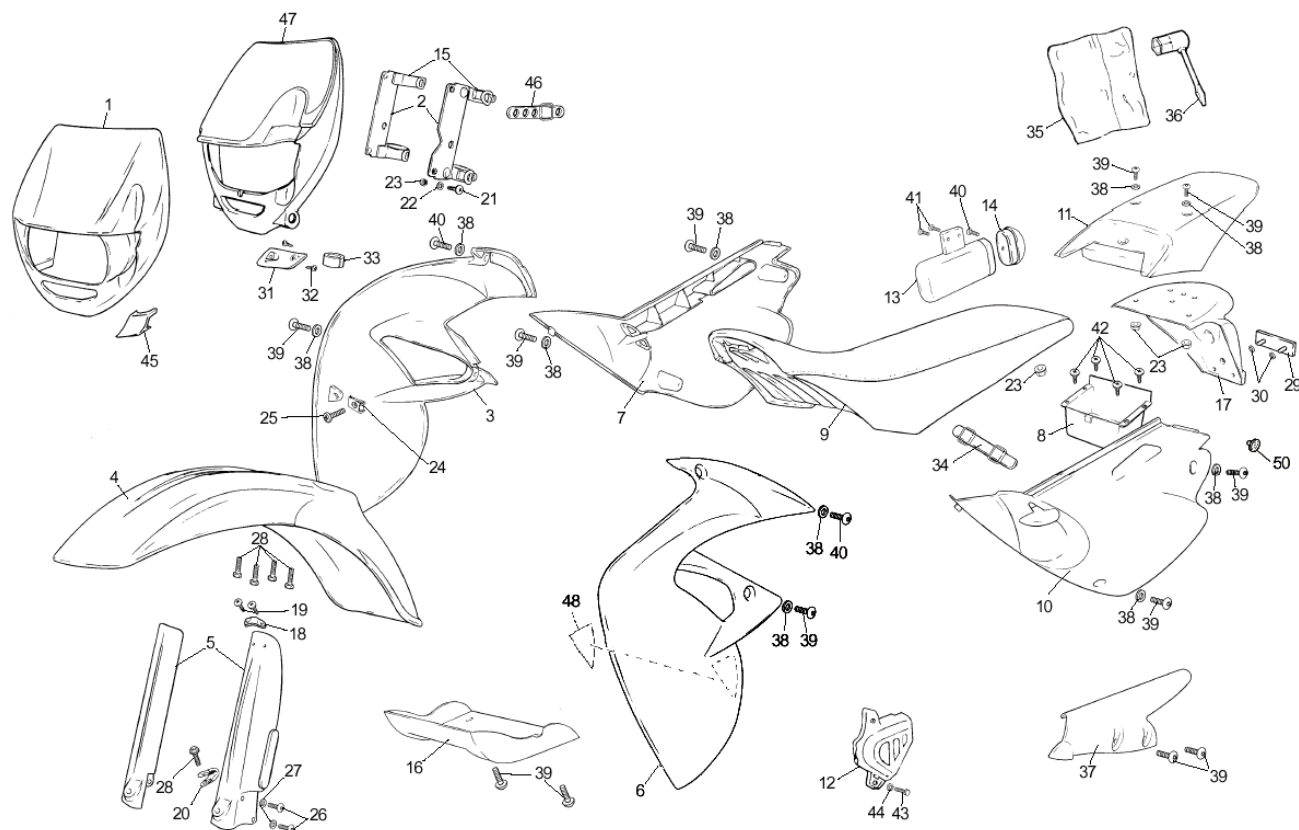
00 SMX\2k1\ENGINE#g

- 99 0/005.090.0330 TREE
- 332 0/005.330.0217 FORK SENDS SELECTOR
- 333 0/005.330.0060 FORK CONTROL CHANGE 1a AND 3a
- 334 0/005.330.0070 FORK CONTROL CHANGE 2a AND 3a
- 335 0/005.330.0080 FORK CONTROL CHANGE 5a AND 6a
- 435 0/005.430.0320 WEIGH CLUTCH COMPLETE
- 657 0/005.650.1421 BRIDGE REGISTERS CABLE OIL PUMP PRICOL
- 657 0/005.650.1420 BRIDGE REGISTERS CABLE OIL PUMP
- 658 0/005.650.1410 BRIDGE CABLE CLUTCH
- 2467 0/005.240.2050 ENTERED MUFF DILUTES ON PUMP
- 2472 0/005.240.2117 INSERT VALVE OF SHEETS
- 2492 0/005.247.0547 PLUG FEEDING OIL
- 3551 0/005.350.3580 DISK LINED CLUTCH
- 4040 0/005.400.4787 INTERMEDIATE DOUBLE PINENUT Z = 13/24
- 4049 0/005.400.5757 PINENUT PUMP OILS
- 4610 0/005.460.1070 SPRING EXHAUST
- 4635 0/005.460.3510 SPRING RETAINS MARCH
- 4650 0/005.460.1967 SPRING RETAINS FORK SELECTOR
- 4655 0/005.460.2027 SPRING RETAINS LEVER SELECTOR
- 4660 0/005.460.2200 SPRING RECOVERY WEIGHS CLUTCH
- 4680 0/005.460.3010 WASHER-SPRING
- 5101 0/005.510.1029 CAGE OF ROLLERS DB 14-12
- 5106 0/005.510.1297 CAP FOR SELECTOR SPRING
- 5146 0/005.510.2039 BEARING 015 x 25 x 11
- 5148 0/005.510.2059 BEARING 017 x 40 x 12
- 5156 0/005.510.2159 BEARING 020 x 47 x 14
- 5172 0/005.510.2299 BEARING 017 x 40 x 12
- 5178 0/005.510.2652 BEARING 017 x 47 x 14
- 5181 0/005.510.4039 BALL 3/16"
- 5182 0/005.510.4079 BALL 09 MM
- 5308 0/005.530.1149 RING 019 x 1,2
- 5318 0/005.530.1329 RING OF RETENTION 011,8 x 2,4
- 5320 0/005.530.8020 (BOLSA 5 uds) JUNTA CILINDRO AM-5
- 5327 0/005.530.3640 (BOLSA 5 uds) JUNTA TAPA EMBRAGUE AM-5
- 5341 0/005.530.4000 (BOLSA 5 uds) JUNTA CUERPO BOMBA AGUA AM-5
- 5357 0/005.530.4710 SCREW GASKET
- 5358 0/005.530.4720 SCREW 6 x 12 OIL LEVEL GASKET
- 5359 0/005.530.4730 (BOLSA 5 uds) JUNTA FIBRA 8*14
- 5361 0/005.530.4750 SCREW WATER EXIT 14,1 x 22 x 1 GASKET
- 5362 0/005.530.4790 NEUTRAL INDICATOR GASKET
- 5371 0/005.530.5019 (BOLSA 5 uds) RETEN DE 12*22*7 mm.
- 5372 0/005.530.5029 (BOLSA 5 uds) RETEN 15*24*5 mm.
- 5376 0/005.530.5069 (BOLSA 5 uds) RETEN DE 17*35*8
- 5395 0/005.530.5339 DETENT 10 x 18 x 8
- 5395 0/005.530.5339 (BOLSA 5 uds) RETEN 10*18*8 RST/80
- 5398 0/005.530.5379 (BOLSA 5 uds) RETEN 24x35x7 (VITON) LADO EMBR.
- 5603 0/005.560.0080 FASTENER BOMB DILUTES
- 5605 0/005.560.1460 BAR PUSHER CLUTCH 05 x 116,6
- 5611 0/005.560.2070 PIN
- 5612 0/006.050.0077 THERMOSTAT "BEHR THOMSON No 1085"
- 5615 0/005.560.2580 CRANKCASE GUIDE 011,5 x 12
- 5616 0/005.560.2610 CRANKCASE GUIDE 08,51 x 7,6
- 5636 0/005.560.9010 SHAFT 7,8 x 72
- 5637 0/005.560.9020 SHAFT 7,8 x 91,5
- 5645 0/005.560.3570 SWITCH DEAD POINT
- 5650 0/005.560.9777 SHAFT OIL PUMP
- 5653 0/005.560.9787 SHAFT
- 5661 0/005.560.4007 ROLLER 03 x 21,8 FOR PINENUT BOMB
- 5663 0/005.560.4017 ROLLER 04 x 10 BODY BOMB
- 5665 0/005.560.5510 PUSHER CLUTCH 013 IN HEAD
- 5670 0/005.560.6100 PISTON PIN
- 6013 0/005.600.1290 BODY BOMB DILUTES (FRAM.GT 832222)
- 6013 0/005.600.1280 BODY BOMB DILUTES (FRAM.LT 832221)
- 15270 0/005.150.6489 JOINT
- 15320 0/005.150.7690 BENT TUBE 40 GR. WITH SCREW AND NUT
- 49004 0/005.490.0479 BAND FOR TUBE OILS
- 49007 0/005.490.0269 BAND FOR ENTERED TUBE OILS TO THE BOMB
- 49009 0/005.490.1120 LOCKNUT 4 x 4 x 8
- 49010 0/005.490.1180 LOCKNUT 4 x 4 x 20 FOR SPROCKET
- 49015 0/005.490.1248 LOCKNUT 3 x 3,7 x 10 FLYWHEEL
- 49035 0/005.490.3059 METRIC NUT 7 x 5,5
- 49037 0/005.490.3570 (BOLSA 5 uds) TUERCA M1X1 AUTOLUBRICANTE AM-5
- 49040 0/005.490.3490 (BOLSA 5 uds) TUERCA M10X1,25 FIJ.VOLANTE
- 49041 0/005.490.3370 METRIC NUT 12 x 1,25
- 49042 0/005.490.3240 METRIC NUT 14 x 1,25
- 49049 0/005.490.3420 METRIC NUT 12 x 1
- 49056 0/005.490.3470 (BOLSA 5 uds) TUERCA M-12x1,25 AM-5
- 49068 0/005.490.4127 SPACER 012,4 x 14,4 x 11
- 49074 0/005.490.4390 SPACER DRUM CLUTCH 013 x 30 x 4
- 49084 0/005.490.5140 METRIC SCREW 7 x 115
- 49095 0/005.490.6099 (BOLSA 5 uds) ARANDELA VISELADA
- 49101 0/005.490.6129 WASHER 07 JAGGED INTERIOR
- 49120 0/005.490.6406 (BOLSA 5 uds) ARANDELA 10 x 16 x 0,6 AM5
- 49122 0/005.490.6426 WASHER STEELS 012 x 17 x 0,6
- 49124 0/005.490.6440 WASHER STEELS 012,3 x 22
- 49132 0/005.490.6520 (BOLSA 5 uds) ARANDELA ACERO 17,2x30
- 49135 0/005.490.6556 WASHER STEELS 020,45 x 28 THICKNESS 0,6
- 49135 0/005.490.6554 (BOLSA 5 uds) ARANDELA 20,45x28
- 49139 0/005.491.6046 WASHER STEELS 014,5 x 27 THICKNESS 0,6
- 49139 0/005.491.6044 (BOLSA 5 uds) ARANDELA 14,5x27 ESP 0,4 EVOL
- 49139 0/005.491.6044 WASHER STEELS 014,5 x 27 THICKNESS 0,4
- 49151 0/005.491.6096 WASHER STEELS 08,4 x 16 x 0,6
- 49155 0/005.491.6130 WASHER STEELS 08,2 x 15 x 1
- 49175 0/005.490.6800 WASHER 012,75 x 28 x 1,5
- 49191 0/005.490.6890 WASHER 05 x 15 x 2
- 49192 0/005.490.7000 (BOLSA 5 uds) ARANDELA 5x15x2
- 49200 0/005.490.8010 SCREW CLUTCH M14 x 1,25 x 18
- 49226 0/005.490.9389 (BOLSA 5 uds) TILLO.METALICO 4X10 EVOL
- 49227 0/005.490.8420 METRIC SCREW 6 x 6
- 49228 0/005.491.9049 (BOLSA 5 uds) TORNILLO 5x20
- 49230 0/005.490.8460 METRIC SCREW 4 x 10
- 49236 0/005.490.8529 METRIC SCREW 5 x 16
- 49238 0/000.460.0290 METRIC SCREW 6 x 20
- 49244 0/005.490.8619 METRIC SCREW 6 x 20
- 49245 0/000.460.0311 METRIC SCREW 6 x 25
- 49246 0/000.460.0320 METRIC SCREW 6 x 30
- 49248 0/005.490.8659 METRIC SCREW 6 x 40
- 49251 0/005.490.8689 METRIC SCREW 6 x 55
- 49281 0/005.490.9119 METRIC SCREW 8 x 10
- 49290 0/005.490.9220 METRIC SCREW 12 x 1,25
- 49386 0/005.491.7621 WASHER
- 49840 0/005.497.0669 METRIC SCREW 5 x 35
- 53508 0/005.530.5499 (BOLSA 5 uds) RETEN 20*35*7 DIN 3760



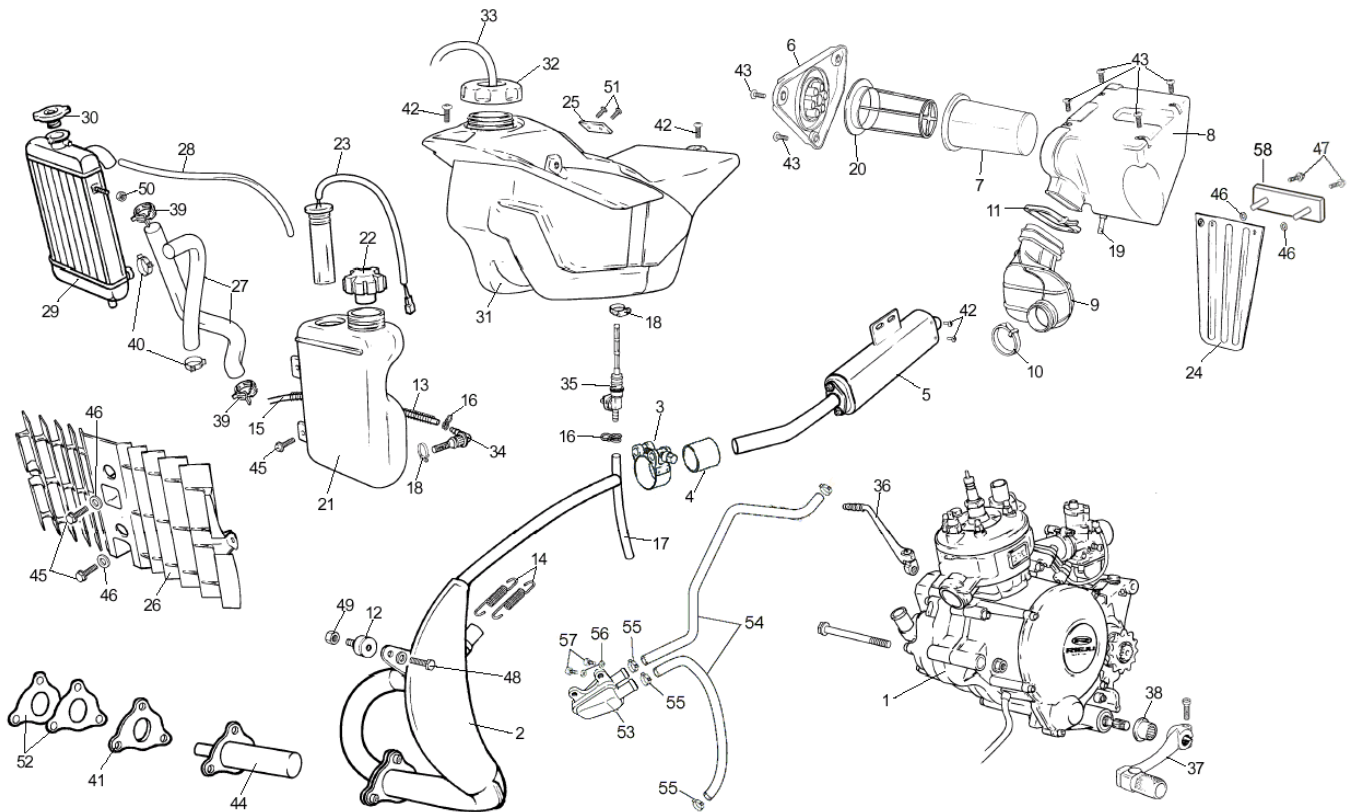
01 SMX\2k1\CHASSIS

- 1 0/000.010.5000 FRAME SMX 50 GREY
- 2 0/000.020.5000 SWINGING ARM SMX 50 GREY
- 3 0/000.260.5000 BUSH
- 4 0/000.260.5001 SPACER
- 5 0/000.730.0710 BRAKE PEDAL (ALU)
- 6 0/000.210.5100 STAND CHROME
- 7 0/000.980.5001 ENGINE SUPPORT
- 8 0/000.380.5000R/H CHAIN ADJUSTER
- 9 0/000.380.5001L/H CHAIN ADJUSTER
- 10 0/000.740.0330 PASSENGER FOOTREST (IRON)
- 10 0/000.740.0221 RIGHT PASSENGER FOOTREST 2009
- 11 0/000.340.0170 (BOLSA 5 uds) TUERCA M6 AUTOBL/DIN6926/JS500
- 12 0/000.460.0622 BOLT M6 X 35
- 13 0/000.460.0600 (BOLSA 5 uds) TILLO 6921-GR.8 JS500 M6x16
- 14 0/000.340.0180 (BOLSA 5 uds) TUERCA M8 AUTOBL/DIN6926/JS500
- 15 0/000.340.0182 (BOLSA 5 uds) TUERCA M10 AUTOBL/DIN6926/JS500
- 16 0/000.740.0300R/H DRIVERS FOOTREST
- 17 0/000.740.0310L/H DRIVERS FOOTREST
- 18 0/000.630.5000 CONNECTOR PLATE
- 19 0/000.980.5005 SUPPORT CABLES
- 20 0/000.480.0731 SPACER
- 21 0/000.410.0132 PLUG RUBBER
- 22 0/000.360.5001 CHAIN PROTECTOR
- 23 0/000.710.0310 CHAIN GUIDE
- 24 0/000.360.0370 BUSH
- 25 0/000.190.8001 SWINGING ARM SPINDLE
- 26 0/000.440.0123 (BOLSA 5 uds) ARANDELA PLANA DE 15
- 27 0/000.470.5002 FOOTREST SPRING L/H
- 28 0/000.360.0792 ROLLER
- 29 0/000.470.5000 STAND SPRING
- 30 0/000.470.5003 FOOT PEDAL SPRING
- 31 0/000.360.0400 RADIATOR RUBBER MOUNT
- 32 0/000.480.5001 SPACER STAND
- 33 0/000.980.5006 SPRING ARM
- 34 0/000.460.5100 BOLT M10 X 50
- 35 0/000.460.0673 PEDAL BOLT
- 36 0/000.480.0645 BUSH
- 37 0/000.660.5000 BRAKE PEDAL REST
- 38 0/000.440.0160 (BOLSA 5 uds) ARANDELA LIS.8,5x17x1.25 GT-TT
- 39 0/000.340.5000 NUT M14
- 40 0/000.340.5101 (BOLSA 5 uds) TUERCA RAPIDA M6 DACROMET 500GR
- 41 0/000.470.5001 FOOTREST SPRING R/H
- 42 0/000.390.5005 DECAL SET SMX 50 BLUE
- 42 0/000.390.5003 DECAL SET SMX 50 BLACK
- 43 0/000.460.3015 (BOLSA 5 uds) TILLO FIJACION CABALLETE MOD/MRX
- 44 0/000.460.0811 BOLT M5 X 20
- 45 0/000.340.0172 NUT M5
- 46 0/000.360.0490 UPPER RADIATOR RUBBER MOUNT
- 47 0/000.480.0710 SPACER
- 48 0/000.460.0610 (BOLSA 5 uds) TILLO. 6921-GR.8 JS500 M6x20
- 49 0/000.340.0182 (BOLSA 5 uds) TUERCA M10 AUTOBL/DIN6926/JS500
- 50 0/000.440.0110 (BOLSA 5 uds) ARANDELA BIS 10x24x1.5
- 51 0/000.460.0745 (BOLSA 5 uds) TILLO.DIN-7982 5.5 X 19
- 52 0/000.460.0550 (BOLSA 5 uds) TILLO 6921-GR.8 JS500 M8x100
- 53 0/000.460.0322 SCREW
- 54 0/000.680.0300 BRAKE HOSE CLIP
- 55 0/000.460.0745 (BOLSA 5 uds) TILLO.DIN-7982 5.5 X 19
- 56 0/000.460.0491 BOLT M8 X 60
- 57 0/000.410.0131 PLUG
- 58 0/000.740.0221 LEFT PASSENGER FOOTREST 2009
- 58 0/000.740.0330 PASSENGER FOOTREST (IRON)



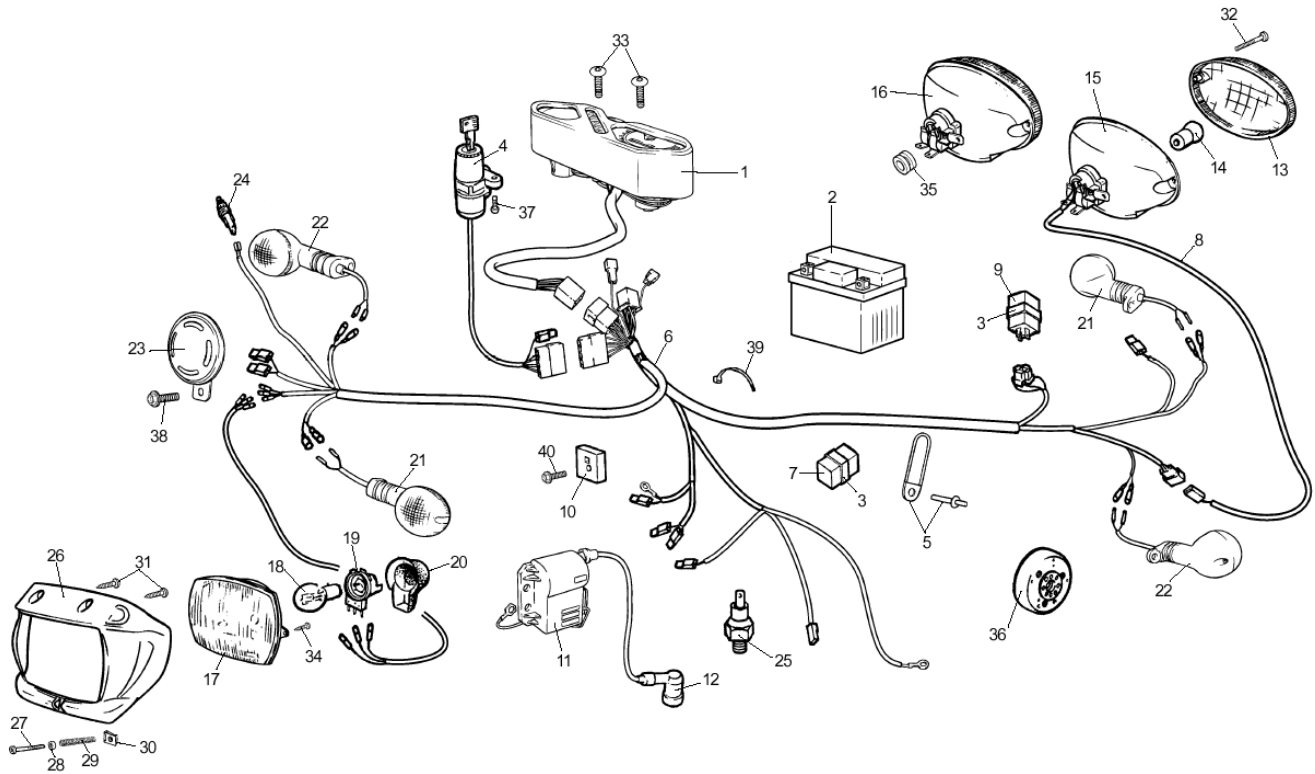
02 SMX\2k1\PLASTICS

- 1 0/000.620.5115 COWLING SMX BLACK 2003
- 1 0/000.620.5114 COWLING SMX BLUE 2003
- 2 0/000.980.0511 HEADLAMP SUPPORT
- 3 0/000.570.5016 R/H RADIATOR PANEL BLACK
- 3 0/000.570.5024 R/H RADIATOR PANEL BLUE
- 4 0/000.050.5001 FRONT MUDGUARD BLACK
- 4 0/000.050.5006 FRONT MUDGUARD BLUE
- 5 0/000.220.5005 COMPLETE FRONT PROTECTOR SEBAC FROM NF.23918
- 5 0/000.220.5001 NOT AVAILABLE
- 6 0/000.570.5017 L/H RADIATOR PANEL BLACK
- 6 0/000.570.5025 L/H RADIATOR PANEL BLUE
- 7 0/000.570.5018 R/H REAR PANEL BLACK
- 7 0/000.570.5026 R/H REAR PANEL BLUE
- 8 0/000.980.5000 BATTERY CASE
- 9 0/000.040.5006 SEAT BLUE
- 9 0/000.040.5004 SEAT BLACK
- 10 0/000.570.5019 L/H REAR PANEL BLACK
- 10 0/000.570.5027 L/H REAR PANEL BLUE
- 11 0/000.060.5006 REAR MUDGUARD BLUE
- 11 0/000.060.5004 REAR MUDGUARD BLACK
- 12 0/000.220.0510 SPROCKET COVER
- 13 0/000.910.5001 TOOL BOX
- 14 0/000.910.5001 TOOL BOX LID
- 15 0/000.360.0173 RUBBER STRAP
- 16 0/000.220.5002 SUMP PROTECTOR
- 17 0/000.060.5100 REAR LAMP SUPPORT
- 18 0/000.680.5000 FORK PROTECTOR CLIP
- 19 0/000.460.0756 SCREW
- 20 0/000.680.0300 BRACKET
- 21 0/000.460.1183 SCREW
- 22 0/000.440.0130 (BOLSA 5 uds) ARANDELA LIS.6,5x17x1,5 TT-MS
- 23 0/000.340.0170 (BOLSA 5 uds) TUERCA M6 AUTOBL/DIN6926/J5500
- 24 0/000.340.5100 (BOLSA 5 uds) TUERCA RAPIDA M5
- 25 0/000.460.1170 (BOLSA 5 uds) TILLO DE PLASTICO MX16 RS1
- 26 0/000.460.5050 (BOLSA 5 uds) TORNILLO ISO 7380 M6 X 16
- 27 0/000.440.0131 WASHER 6,5 X 12 X 1,5
- 28 0/000.460.0600 (BOLSA 5 uds) TILLO 6921-G8.8 J5500 M6x16
- 29 0/000.630.0550 REFLECTOR
- 30 0/000.440.0400 WASHER
- 31 0/000.350.5514 CABLE CLIP BLUE 2002
- 31 0/000.350.5515 ELIMINATED OF PRODUCTION. IT IS NOT POSSIBLE T
- 32 0/000.460.1165 (BOLSA 5 uds) TILLO.ROSCA T.P.Q 3.5X12
- 33 0/000.300.0550 ELIMINATED OF PRODUCTION. IT IS NOT POSSIBLE T
- 34 0/000.360.5003 FIXATION RUBBER
- 35 0/000.760.0020 TOOL POUCH
- 36 0/000.970.5050 PLUG SPANNER
- 37 0/000.200.5000 CHAIN GUARD
- 38 0/000.440.5000 (BOLSA 5 uds) ARANDELA DE PLASTICO M6 6.2 X 14
- 39 0/000.460.1180 (BOLSA 5 uds) TILLO.ESPECIAL PLAST. M6X17.5 RS1
- 40 0/000.460.1189 (BOLSA 5 uds) TILLO ESPECIAL PLAST.M6X9
- 41 0/000.460.1190 (BOLSA 5 uds) TILLO.ESPECIAL PLAST.ESP/7380 M6X
- 42 0/000.460.1168 SCREW 5 X 12
- 43 0/000.460.0285 SCREW M5 X 15
- 44 0/000.440.0131 WASHER 6,5 X 12 X 1,5
- 45 0/000.350.5505 ELIMINATED OF PRODUCTION. IT IS NOT POSSIBLE T
- 45 0/000.350.5504 ELIMINATED OF PRODUCTION. IT IS NOT POSSIBLE T
- 46 0/000.360.0172 RUBBER SUPPORT 2002 HEAD LAMP
- 47 0/000.620.5114 HEADLAMP COWL SMX 50 2002 BLUE
- 47 0/000.620.5115 HEADLAMP COWL SMX 50 2002 BLACK
- 48 0/000.220.5010 PROTECTION TERMIC
- 50 0/000.630.0530 REFLECTOR



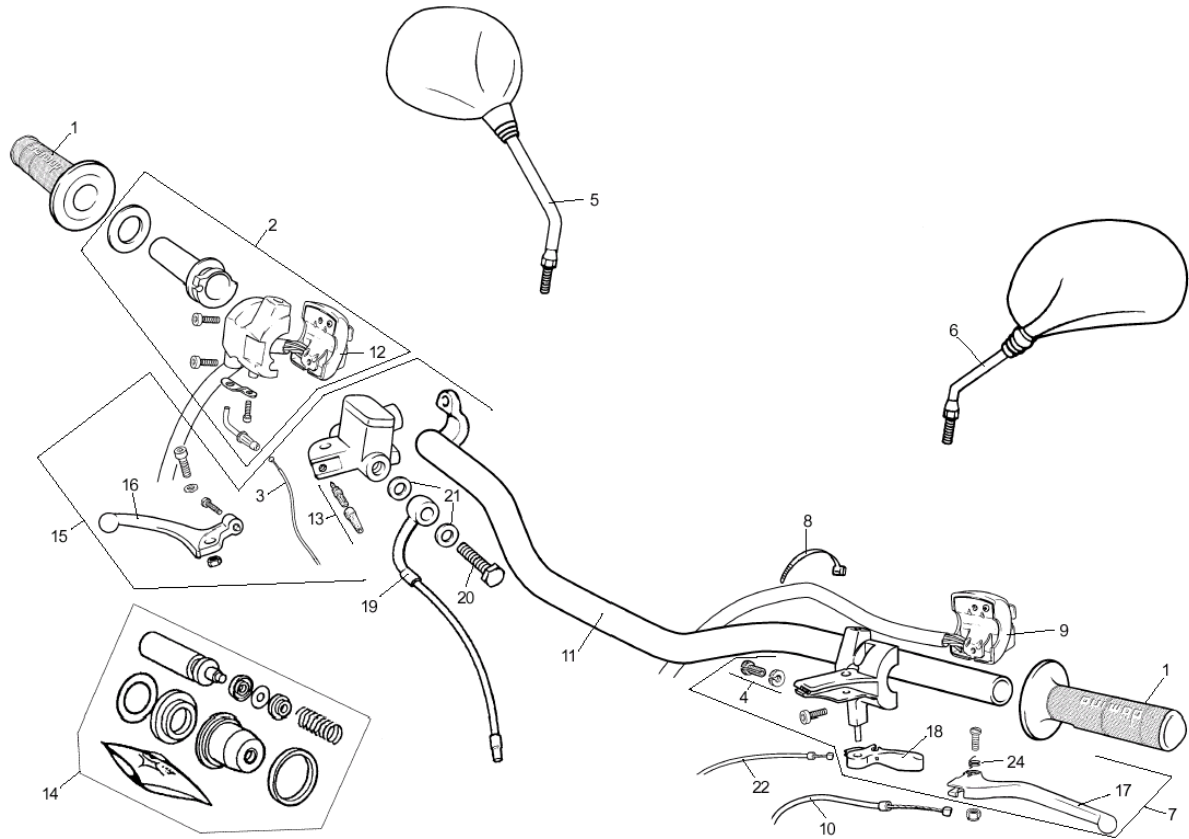
03 SMX\2k1\DEPOSIT, ESCAPE TUBE AND RADIATOR

- 1 0/005.082.0362 ELIMINATED OF PRODUCTION. IT IS NOT POSSIBLE T
- 1 0/005.082.0316 ENGINE (FRAM.GT 25000)
- 2 0/000.290.5010 COMPLETE EXHAUST PIPE (FRAM.GT 25000)
- 2 0/000.290.5000 COMPLETE EXHAUST PIPE (FRAM.LT 24999)
- 3 0/000.680.0501 CLIP
- 4 0/000.260.0240 EXHAUST CONNECTOR
- 5 0/000.870.5001 SILENCER
- 6 0/000.350.5000 AIR FILTER COVER
- 7 0/001.070.5000 FILTER ELEMENT
- 8 0/000.910.5100 FILTER CASE BODY (FRAM.LT 24999)
- 9 0/000.360.5000 AIR FILTER CONNECTOR
- 10 0/000.680.0060 CLIP
- 11 0/000.680.5001 CLIP
- 12 0/000.360.0460 EXHAUST MOUNT
- 13 0/000.470.6010 PROTECTOR
- 14 0/005.460.1070 EXHAUST SPRING
- 15 0/000.290.0420 OIL PIPE
- 16 0/000.680.0510 HOSE CLIP
- 17 0/000.290.0420 FUEL PIPE
- 18 0/000.680.0520 CLIP
- 19 0/000.360.5004 FILTER DRAIN PIPE
- 20 0/000.980.5002 FILTER ELEMENT SUPPORT
- 21 0/000.030.5002 OIL TANK
- 22 0/000.410.0600 OIL TANK CAP
- 23 0/000.410.5000 OIL LEVEL SENSOR
- 24 0/000.200.5100 PLATE
- 25 0/000.980.5008 PLATE
- 26 0/000.220.5000 RADIATOR COVER
- 27 0/000.640.5000 HOSE SET
- 28 0/000.290.0630 RADIATOR VENT PIPE
- 29 0/000.580.5000 KTM RADIATOR
- 29 0/000.580.5000 RIEJU RADIATOR
- 30 0/000.410.5101 KTM RADIATOR CAP
- 30 0/000.410.5100 RIEJU RADIATOR CAP
- 31 0/000.030.5001 FUEL TANK
- 32 0/000.410.0500 FUEL TANK CAP
- 33 0/000.290.0570 ELIMINATED OF PRODUCTION. IT IS NOT POSSIBLE T
- 34 0/000.370.0440 OIL PIPE UNION
- 35 0/000.370.0500 FUEL TAP
- 36 0/005.430.5002 KICK START LEVER
- 37 0/005.430.0030 GEAR PEDAL
- 38 0/000.220.1000 PROTECTOR
- 39 0/000.680.0550 HOSE CLIP
- 40 0/000.680.0535 HOSE CLIP
- 41 0/000.660.2020 EXHAUST PLATE
- 42 0/000.460.1180 (BOLSA 5 uds) TLLQ.ESPECIAL PLAST. M6X17,5 RSI
- 43 0/000.460.1190 (BOLSA 5 uds) TLLQ.ESPECIAL PLAST.ESP/7380 M6X
- 44 0/000.820.5000 CATALYST
- 45 0/000.460.0610 (BOLSA 5 uds) TLLQ. 6921-G8,8 JS500 M6X20
- 46 0/000.440.0130 (BOLSA 5 uds) ARANDELA LIS.6,5x17x1,5 TT-KS
- 47 0/000.460.0600 (BOLSA 5 uds) TLLQ 6921-G8,8 JS500 M6x16
- 48 0/000.460.0480 SCREW M8 X 50
- 49 0/000.340.0180 (BOLSA 5 uds) TUERCA M8 AUTOBL/DIN6926/JS500
- 50 0/000.340.0170 (BOLSA 5 uds) TUERCA M6 AUTOBL/DIN6926/JS500
- 51 0/000.460.0800 SCREW M4 X 8
- 52 0/000.490.2000 (BOLSA 5 uds) JUNTA ESCAPE ESP.1.2 MOD/EUROF
- 53 0/000.640.0001 VALVE AIS OUT PARALLEL
- 54 0/000.640.5001 VALVE PIPE SET
- 55 0/000.680.0534 LOCK. CLAMP
- 56 0/000.440.0131 LOCK. WASHER
- 57 0/000.460.0300 (BOLSA 5 uds) TLLQ DIN 912 JS500 M6x16
- 58 0/000.660.5003 PLATINA FIJ. CUBRE AMORTIGUADOR



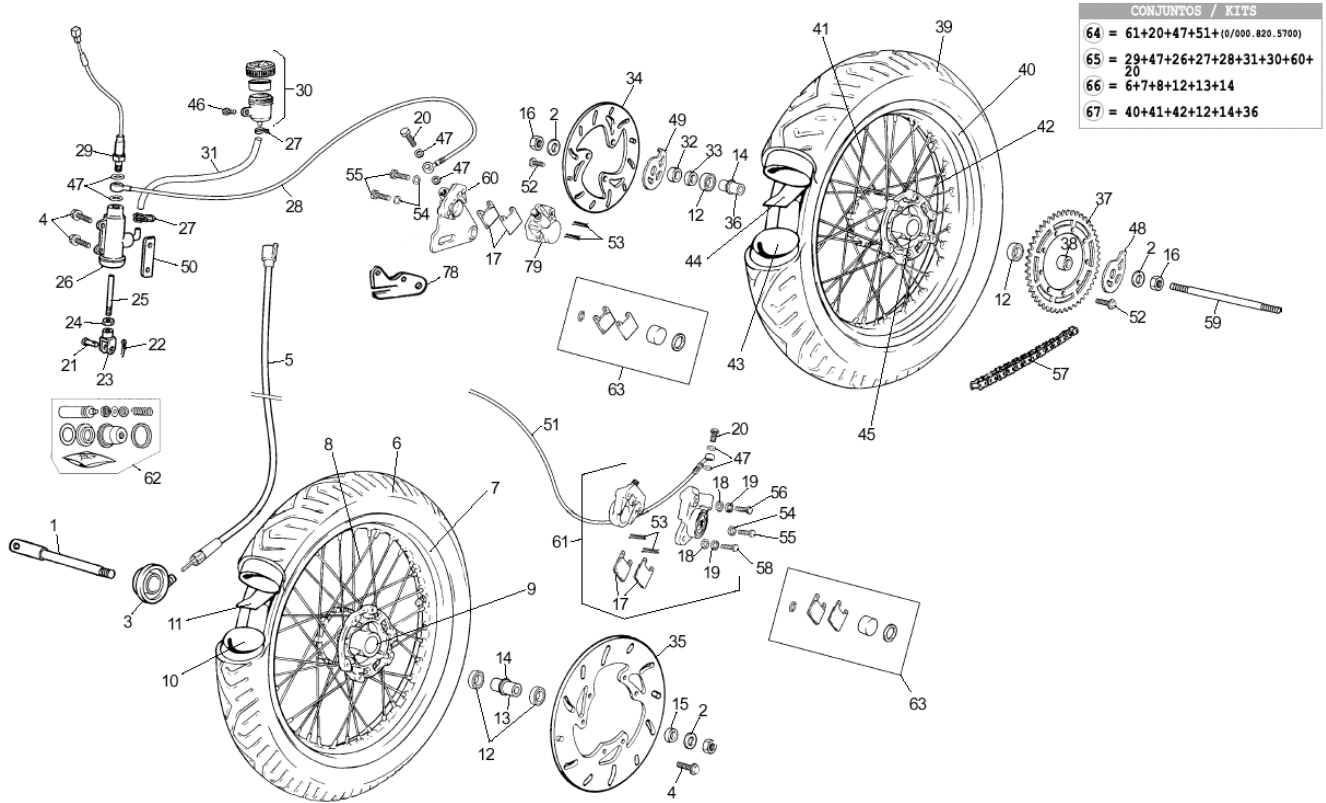
04 SMX\2k1\SYSTEM ELECTRICS AND LIGHTS

- 1 0/001.000.2082 INSTRUMENT CONSOL ASSY SMX (FRAM.LT 21567)
- 1 0/001.000.2080 INSTRUMENT CONSOL ASSY SMX (FRAM.GT 21568)
- 2 0/000.900.0030 BATTERY
- 3 0/000.360.0840 SUPPORT RUBBER
- 4 0/001.060.0041 IGNITION KEY AND STEERING LOCK
- 5 0/000.980.5004 CABLE SUPPORT
- 6 0/000.160.5100 WIRING HARNESS
- 7 0/001.200.6002 CONTACT RELAY (40Ah)
- 8 0/000.160.5003 LOOM
- 9 0/001.200.5030 WINKER RELAY
- 10 0/005.070.5000 REGULATOR
- 11 0/005.070.2005 H.T. COIL
- 12 0/005.110.2022 PLUG CAP
- 13 0/000.630.5001 REAR LIGHT LENS
- 14 0/000.850.0220 BULB
- 15 0/000.980.5010 TAIL LIGHT BASE
- 16 0/000.150.2000 TAIL LIGHT COMP.
- 17 0/000.600.0250 HEADLIGHT
- 18 0/000.850.0055 BULB
- 19 0/000.620.0500 BULB HOLDER
- 20 0/000.360.0760 BULB COVER
- 21 0/000.150.2200 INDICATOR
- 22 0/000.150.2100 INDICATOR
- 23 0/000.420.5010 HORN
- 24 0/000.640.7208 FRONT BRAKE STOP SWITCH FOR J.JUAN PUMP
- 24 0/000.720.0070 STOP SWITCH
- 25 0/000.460.1151 TORNILLO TAPON SONDA TEMP.
- 25 0/000.460.1150 TORNILLO TEMP 112c
- 26 0/000.620.1510 HEADLAMP SUPPORT
- 27 0/000.460.0220 HEADLAMP ADJUSTER SCREW
- 28 0/000.440.0230 WASHER
- 29 0/000.470.0700 SPRING
- 30 0/000.770.0700 NUT
- 31 0/000.460.1165 (BOLSA 5 uds) T.LLO.ROSCA T.P.Q 3.5X12
- 32 0/000.460.5200 (BOLSA 5 uds) TORNILLO DIN 7981 Q4.2 X 32
- 33 0/000.460.1170 (BOLSA 5 uds) T.LLO.DE PLASTICO MSX16 RS1
- 34 0/000.460.0100 (BOLSA 5 uds) T.LLO.FIJ.OPTICA C/PORTAF RR/LIM
- 35 0/000.360.0490 CUSHION
- 36 0/005.822.2499 MAGNETO
- 37 0/000.460.0340 SCREW M6 X 20
- 38 0/000.460.0600 (BOLSA 5 uds) T.LLO 6021-G8.8 JS500 M6x16
- 39 0/000.680.0070 ELIMINATED OF PRODUCTION. IT IS NOT POSSIBLE T
- 40 0/000.460.0622 SCREW M6 X 35



05 SMX\2k1\MANILLARES AND CONTROLS

- 1 0/000.530.5010 HANDLEBAR GRIPS
- 2 0/000.530.5000 TWIST GRIP ASSY
- 3 0/000.550.5001 COMPLETE GAS CABLE EURO 2 (FRAM.GT 24999)
- 3 0/000.550.5004 COMPLETE GAS CABLE EURO 2 (FRAM.GT 25000)
- 4 0/000.640.5700 CABLE ADJUSTER
- 5 0/000.990.5001R/H MIRROR
- 6 0/000.990.5000L/H MIRROR
- 7 0/000.830.5000 CLUTCH LEVER ASSY
- 8 0/000.680.0070 ELIMINATED OF PRODUCTION. IT IS NOT POSSIBLE T
- 9 0/000.720.5000 LEFT HANDLEBAR SWITCH
- 10 0/000.550.5003 CLUTCH CABLE
- 11 0/000.170.5100 HANDLEBAR
- 12 0/000.720.5001 RIGHT HANDLEBAR SWITCH
- 13 0/000.720.0070 STOP LIGHT SWITCH
- 13 0/000.640.7208 FRONT BRAKE STOP SWITCH FOR J.JUAN PUMP
- 14 0/000.640.0435M/ CYLINDER REPAIR KIT
- 15 0/000.820.0307 MASTER CYLINDER ASSY
- 16 0/000.830.1000 FRONT BRAKE LEVER
- 17 0/000.830.0310 CLUTCH LEVER
- 18 0/000.830.5110 SINGLE STARTER LEVER
- 19 0/000.290.0257 BRAKE HOSE FRONT AJP
- 20 0/000.460.1300 (BOLSA 5 US\$) TILLO,RACORD TUBO F.D.BREMBO
- 21 0/000.440.1040 (BOLSA 5 US\$) BRANDELA JUNTA FRENO DISCO
- 22 0/000.550.5002 CHOKE CABLE
- 24 0/000.470.0660 SPRING HANDLE



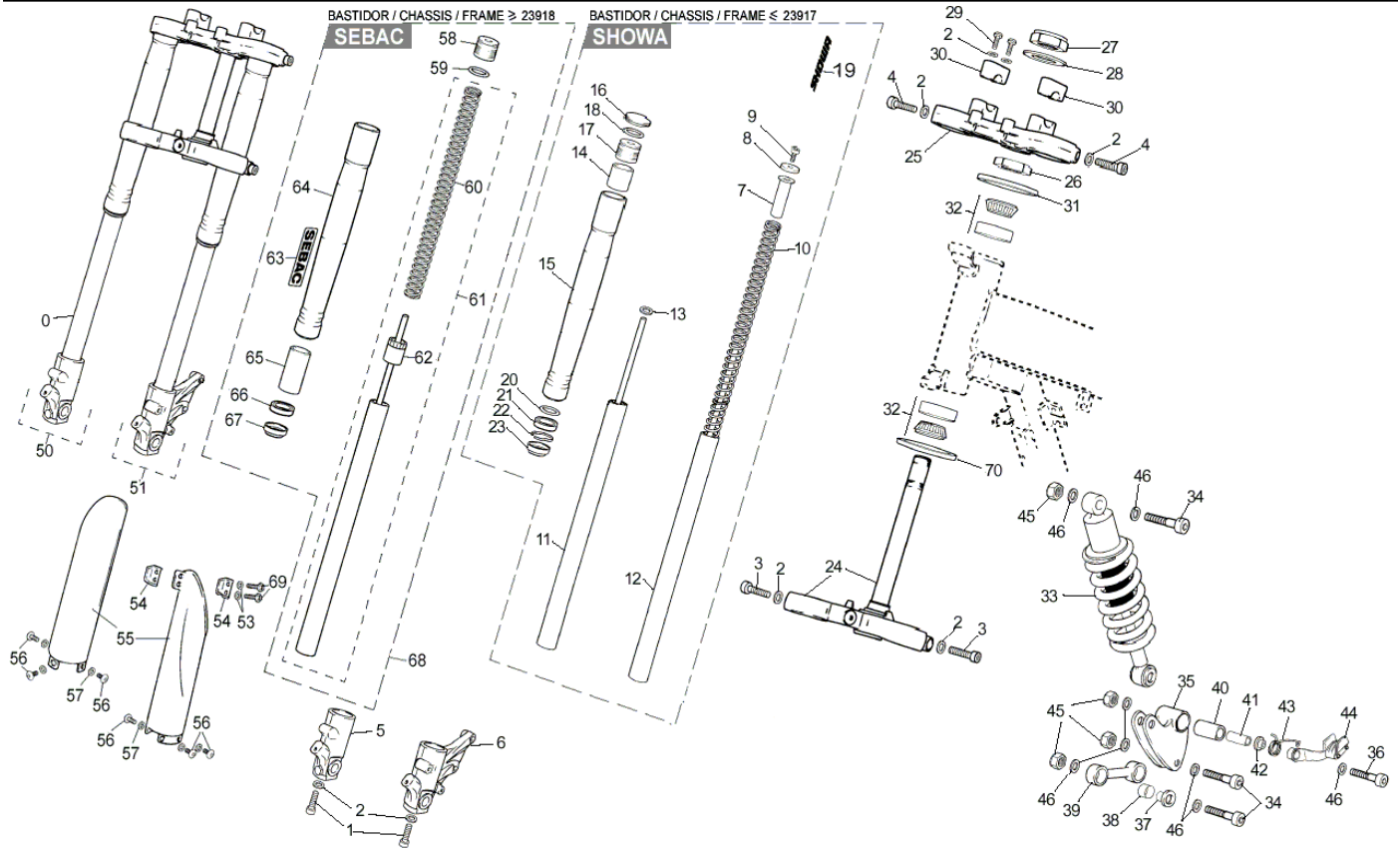
CONJUNTOS / KITS	
64	= 61+20+47+51+(0/000.820.5700)
65	= 29+47+26+27+28+31+30+60+20
66	= 6+7+8+12+13+14
67	= 40+41+42+12+14+36



06 SMX\2k1\WHEELS AND CONTROLS

- 1 0/000.190.5100 FRONT WHEEL SPINDLE
- 2 0/000.440.0123 (BOLSA 5 uds) ARANDELA PLANA DE 15
- 3 0/001.010.5100 SPEEDO DRIVE
- 4 0/000.460.0610 (BOLSA 5 uds) TILLO. 6921-G8.8 JS500 M6x20
- 5 0/000.550.5000 SPEEDO CABLE
- 6 0/000.510.0550 TYRE 100/80 - 17
- 7 0/000.230.0520 FRONT WHEEL RIM
- 8 0/000.540.5003 SPOKE
- 9 0/000.070.0100 FRONT HUB
- 10 0/000.520.0540 FRONT INNER TUBE
- 11 0/000.220.0090 FRONT RIM TAPE
- 12 0/000.960.0050 BEARING 6202
- 13 0/000.480.5006 SPACER BEARINGS
- 14 0/000.360.5410 SPACER
- 15 0/000.480.5000 SPACER
- 16 0/000.340.0300 (BOLSA 5 uds) TCA.FIJ.EJE CARRETE MTHON
- 17 0/000.930.0060 DISC PADS
- 18 0/000.440.0160 (BOLSA 5 uds) ARANDELA LIS.8,5x17x1.25 GT-TT
- 19 0/000.440.0180 WASHER
- 20 0/000.460.1300 (BOLSA 5 uds) TILLO.RACORD TUBO F.D.BREMBO
- 21 0/000.840.0090 BRAKE LEVER HOIST
- 22 0/000.840.0060 SPLIT PIN
- 23 0/000.130.0150 SMACKLE
- 24 0/000.340.0130 (BOLSA 5 uds) TUERCA ZINCADA M6 DIN 934.8
- 25 0/000.240.5000 ROD
- 26 0/000.820.0310 REAR MASTER CYLINDER
- 27 0/000.680.0500 CLIP
- 28 0/000.290.5202 REAR BRAKE HOSE
- 29 0/000.720.0073 STOP LIGHT SWITCH REAR
- 30 0/000.030.0170 BRAKE RESERVOIR
- 31 0/000.290.0243 FLUID HOSE
- 32 0/000.480.5002 SPACER 10,5
- 33 0/000.480.5003 SPACER 7,5
- 34 0/001.090.0250 REAR DISC 202 mm MRX
- 35 0/001.090.0200 FRONT DISC 260 mm MRX
- 36 0/000.480.5007 SPACER
- 37 0/000.500.5000 FRICTION PLATE 248 (FRAM.LT 24999)
- 37 0/000.500.5001 FRICTION PLATE 252 (FRAM.GT 25000)
- 38 0/000.480.5004 SPACER
- 39 0/000.510.0560 REAR TYRE 130/70 - 17
- 40 0/000.230.0530 REAR RIM
- 41 0/000.540.5003 SPOKE R/H
- 42 0/000.540.5004 SPOKE L/H
- 43 0/000.520.0550 REAR INNER TUBE
- 44 0/000.220.0090 RIM TAPE
- 45 0/000.080.0100 REAR HUB
- 46 0/000.460.0600 (BOLSA 5 uds) TILLO 6921-G8.8 JS500 M6x16
- 47 0/000.440.1040 (BOLSA 5 uds) ARANDELA JUNTA FRENO DISCO
- 48 0/000.380.5001 CHAIN ADJ. L/H
- 49 0/000.380.5000 CHAIN ADJ. R/H
- 50 0/000.980.5007 MOUNTING PLATE
- 51 0/000.290.0257 BRAKE HOSE FRONT AJP
- 52 0/000.460.0670 (BOLSA 5 uds) TILLO 6921-G8.8 JS500 M6x25
- 53 0/000.640.0110 DISC CLIP
- 54 0/000.440.0180 WASHER
- 55 0/000.460.0470 SCREW M8 X 40
- 56 0/000.460.0490 SCREW M8 X 55
- 57 0/001.050.0520 CHAIN COMPLET (FRAM.LT 24999)
- 57 0/001.050.0210 CHAIN COMPLET (FRAM.GT 25000)
- 58 0/000.460.0672 SCREW M8 X 35
- 59 0/000.190.5200 REAR WHEEL SPINDLE
- 60 0/000.860.5000 REAR BRAKE PINCER (FRAM.LT 25590)
- 61 0/000.860.5011 FRONT CALLIPER
- 62 0/000.640.0470M/CYL. REPAIR KIT REAR
- 63 0/000.640.0420 CALIPER REPAIR KIT REAR/FRONT
- 64 0/000.820.0700 COMPLETE FRONT BRAKE SYSTEM SET

- 65 0/000.820.0750 COMPLETE REAR BRAKE SYSTEM SET
- 66 0/000.110.5500 FRONT WHEEL W/SPO AND SOCK.
- 67 0/000.120.5500 REAR WHEEL W/SPO AND SOCK.
- 71 0/000.480.5004 SPACER (FRAM.GT 25591)
- 73 0/000.820.0700 COMPLETE FRONT BRAKE SYSTEM SET (FRAM.LT 25590)
- 73 0/000.820.0710 COMPLETE FRONT BRAKE SYSTEM SET (FRAM.GT 25591)
- 74 0/000.820.0750 COMPLETE REAR BRAKE SYSTEM SET (FRAM.LT 25590)
- 74 0/000.820.0760 COMPLETE REAR BRAKE SYSTEM SET (FRAM.GT 25591)
- 78 0/000.980.0750 REAR BRAKE PINCER BRACKET
- 79 0/000.860.0012 REAR BRAKE PINCER



07 SMX\2k1\SUSPENSION

- 0 0/000.130.6001 FORKS COMP.
- 1 0/000.460.0345 (BOLSA 5 uds) TORNILLO DIN.912 M8 X 25 JS-500
- 2 0/000.440.0180 WASHER
- 3 0/000.460.0350 BOLT M8 X 35
- 4 0/000.460.0350 BOLT M8 X 45
- 5 0/000.880.5001 FORK BOTTOM R/H
- 5 0/000.880.5011 FORK BOTTOM R/H FROM NF.23918
- 6 0/000.880.5002 FORK BOTTOM L/H
- 6 0/000.880.5012 FORK BOTTOM L/H FROM NF.23918
- 7 0/000.710.5000 GUIDE
- 8 0/000.440.5100 WASHER
- 9 0/000.460.0342 SCREW M10 X 25
- 10 0/000.470.5100 SPRING
- 11 0/000.290.5100 FORK TUBE R/H
- 12 0/000.290.5101 FORK TUBE L/H
- 13 0/000.440.5101 WASHER
- 14 0/000.480.5100 SPACER
- 15 0/000.880.5000 OYTER TUBE
- 16 0/000.410.5200 PLUG UPPER
- 17 0/000.410.5201 PLUG
- 18 0/000.490.5000 RING
- 19 0/000.390.0001 ELIMINATED OF PRODUCTION. IT IS NOT POSSIBLE T
- 20 0/000.980.5200 SEAL SUPPORT
- 21 0/000.890.5000 SEAL
- 22 0/000.300.5000 CIRCLIP
- 23 0/000.890.6001 CUP
- 24 0/000.660.5001 BOTTOM YOKE FROM NF.23918
- 25 0/000.660.5002 TOP YOKE FROM NF.23918
- 26 0/000.340.0550 NUT
- 27 0/000.340.0325 NUT FROM NF.23918
- 28 0/000.440.0050 (BOLSA 5 uds) ARANDELA BISO TUBO TIJA Q35 X 25 X 1
- 29 0/000.460.0350 SCREW M8 X 35
- 30 0/000.350.6003H/BAR CLAMP FROM NF.23918
- 31 0/000.200.7000 DUST COVER
- 32 0/000.960.0200 STEERING BEARING
- 33 0/000.180.0702 SHOCK
- 34 0/000.460.0402 (BOLSA 5 uds) TLLLO DIN 912 JS500 M10x50
- 35 0/000.980.0630 GUIDE
- 36 0/000.460.0409 SCREW M10 X 110
- 39 0/000.770.0103 COMPLETE LINK 2007
- 40 0/000.360.0370 BUSH
- 41 0/000.480.1550 SLEEVE
- 42 0/000.480.5005 SPACER
- 43 0/000.470.5004 SPRING
- 44 0/000.380.5002 TENSIONER ARM
- 45 0/000.340.0182 (BOLSA 5 uds) TUERCA M10 AUTOBL/DIN6926/JS500
- 46 0/000.440.0110 (BOLSA 5 uds) ARANDELA BIS 10x24x1.5
- 47 0/000.460.0402 (BOLSA 5 uds) TLLLO DIN 912 JS500 M10x50
- 48 0/000.340.0182 (BOLSA 5 uds) TUERCA M10 AUTOBL/DIN6926/JS500
- 49 0/000.440.0110 (BOLSA 5 uds) ARANDELA BIS 10x24x1.5
- 50 0/000.640.5113 COMPLETE LEFT HALF SUSPENSION KIT FROM NF.2391
- 50 0/000.640.5510 ELIMINATED OF PRODUCTION. IT IS NOT POSSIBLE T
- 51 0/000.640.5112 COMPLETE RIGHT HALF SUSPENSION KIT FROM NF.239
- 51 0/000.640.5500 ELIMINATED OF PRODUCTION. IT IS NOT POSSIBLE T
- 53 0/000.440.0130 (BOLSA 5 uds) ARANDELA LIS.6,5x17x1,5 TT-KS
- 54 0/000.680.5010 GUIDE
- 55 0/000.220.5001 NOT AVAILABLE
- 55 0/000.220.5005 COMPLETE FRONT PROTECTOR SEBAC FROM NF.23918
- 56 0/000.460.1190 (BOLSA 5 uds) TLLLO.ESPECIAL PLAST.ESP/7380 M6X
- 57 0/000.480.5009 BUSH
- 58 0/000.410.5202 PLUG
- 59 0/000.490.7200 RING
- 60 0/000.470.5101 SPRING
- 61 0/000.290.5110 COMP. FORK TUBE R/H
- 62 0/000.290.5111 HYDRAULIC SET
- 63 0/000.390.5202 ELIMINATED OF PRODUCTION. IT IS NOT POSSIBLE T
- 64 0/000.880.5300 OYTER TUBE
- 65 0/000.300.7001 SPACER
- 66 0/000.890.5010 SEAL
- 67 0/000.890.7000 ELIMINATED OF PRODUCTION. IT IS NOT POSSIBLE T
- 68 0/000.880.5114 RIGH/LEFT SUSP. KIT WITHOUT BOTTOM FORK
- 69 0/000.460.0600 (BOLSA 5 uds) TLLLO 6921-69.8 JS500 M6x16
- 70 0/000.200.7001 LOWER STEERING DUST COVER