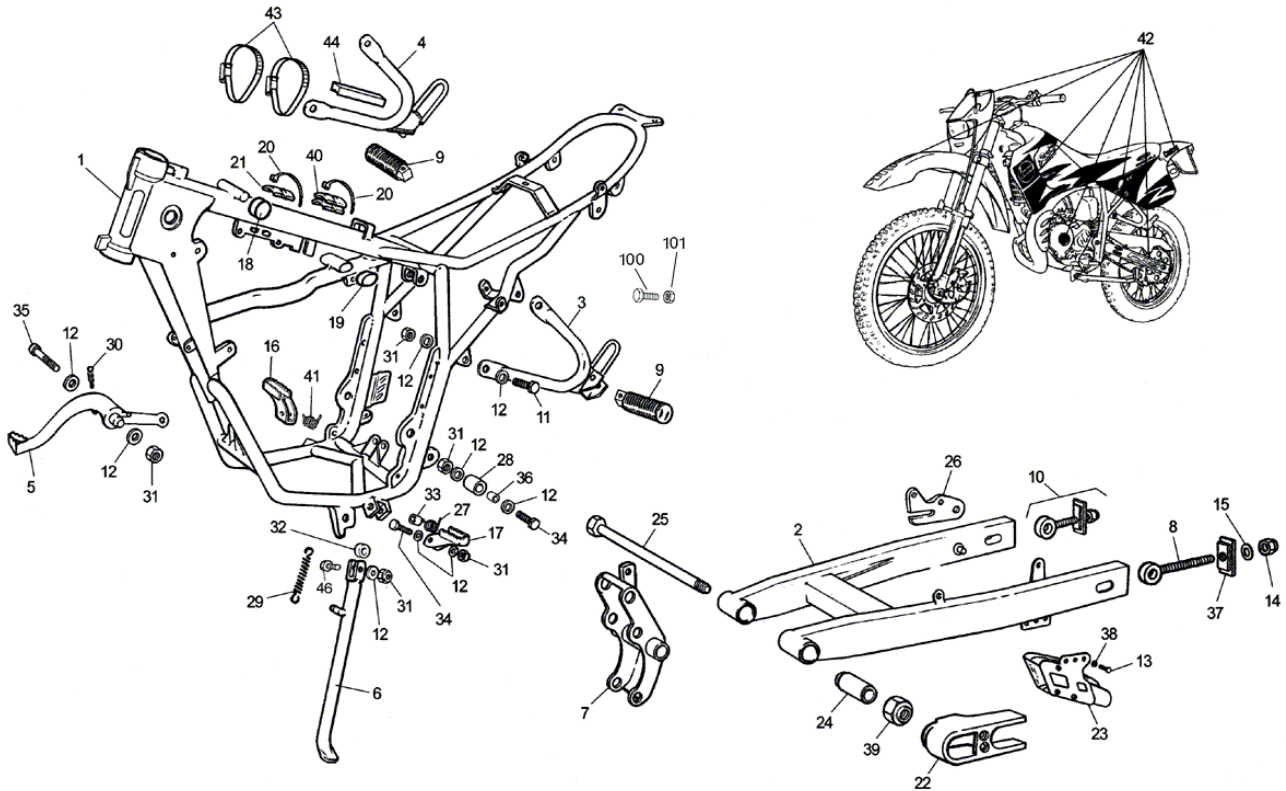


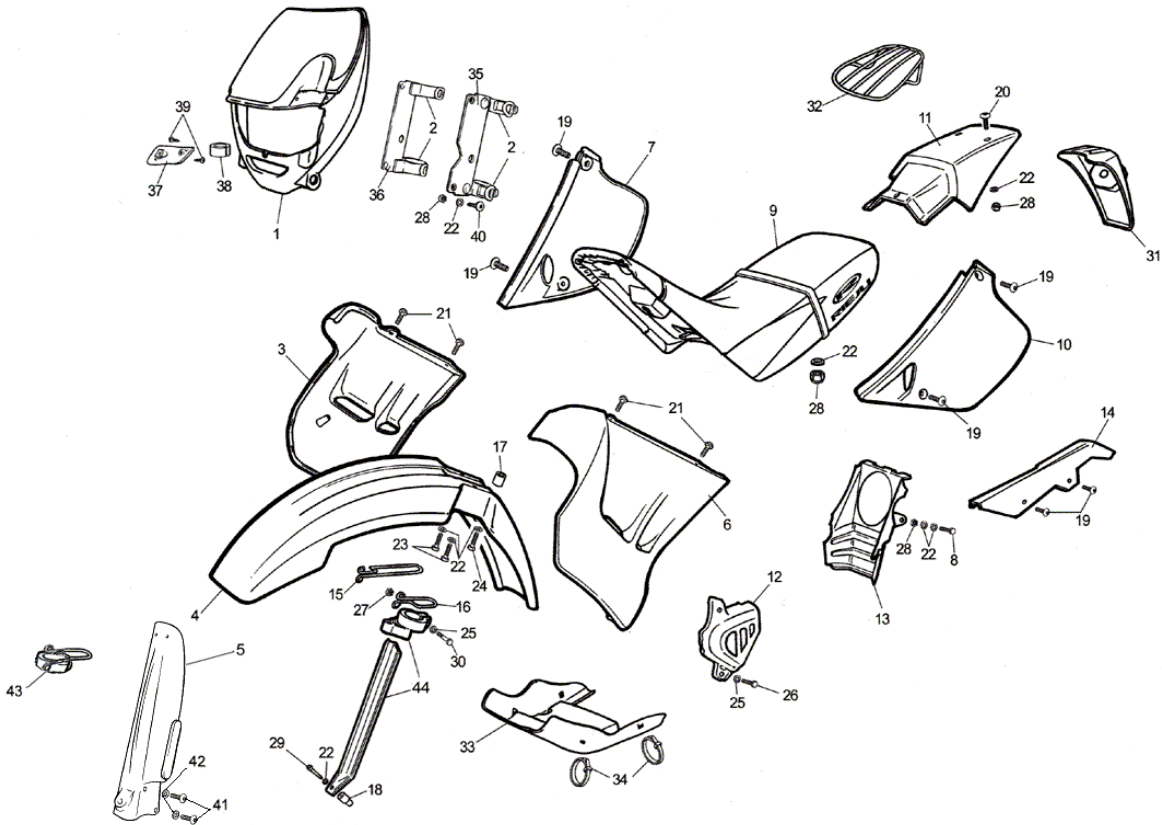
00 SPIKE\2r7\ENGINE#7

- 99 0/005.090.0330 TREE
- 332 0/005.330.0217 FORK SENDS SELECTOR
- 333 0/005.330.0060 FORK CONTROL CHANGE 1a AND 3a
- 334 0/005.330.0070 FORK CONTROL CHANGE 2a AND 3a
- 335 0/005.330.0080 FORK CONTROL CHANGE 5a AND 6a
- 435 0/005.430.0320 WEIGH CLUTCH COMPLETE
- 657 0/005.650.1421 BRIDGE REGISTERS CABLE OIL PUMP PRICOL
- 657 0/005.650.1420 BRIDGE REGISTERS CABLE OIL PUMP
- 658 0/005.650.1410 BRIDGE CABLE CLUTCH
- 2467 0/005.240.2050 ENTERED MUFF DILUTES ON PUMP
- 2472 0/005.240.2117 INSERT VALVE OF SHEETS
- 2492 0/005.247.0547 PLUG FEEDING OIL
- 3551 0/005.350.3580 DISK LINED CLUTCH
- 4040 0/005.400.4787 INTERMEDIATE DOUBLE PINENUT Z = 13/24
- 4049 0/005.400.5757 PINENUT PUMP OILS
- 4610 0/005.460.1070 SPRING EXHAUST
- 4635 0/005.460.3510 SPRING RETAINS MARCH
- 4650 0/005.460.1967 SPRING RETAINS FORK SELECTOR
- 4655 0/005.460.2027 SPRING RETAINS LEVER SELECTOR
- 4660 0/005.460.2200 SPRING RECOVERY WEIGHS CLUTCH
- 4680 0/005.460.3010 WASHER-SPRING
- 5101 0/005.510.1029 CAGE OF ROLLERS DB 14-12
- 5106 0/005.510.1297 CAP FOR SELECTOR SPRING
- 5146 0/005.510.2039 BEARING O15 x 25 x 11
- 5148 0/005.510.2059 BEARING O17 x 40 x 12
- 5156 0/005.510.2159 BEARING O20 x 47 x 14
- 5172 0/005.510.2299 BEARING O17 x 40 x 12
- 5178 0/005.510.2652 BEARING O17 x 47 x 14
- 5181 0/005.510.4039 BALL 3/16"
- 5182 0/005.510.4079 BALL O9 MM
- 5308 0/005.530.1149 SPRING O19 x 1,2
- 5318 0/005.530.1329 SPRING OF RETENTION O11,8 x 2,4
- 5320 0/005.530.8020 (BOLSA 5 uds) JUNTA CILINDRO AM-5
- 5327 0/005.530.3640 (BOLSA 5 uds) JUNTA TAPA EMBRAGUE AM-5
- 5341 0/005.530.4000 (BOLSA 5 uds) JUNTA CUERPO BOMBA AGUA AM-5
- 5357 0/005.530.4710 SCREW GASKET
- 5358 0/005.530.4720 SCREW 6 x 12 OIL LEVEL GASKET
- 5359 0/005.530.4730 (BOLSA 5 uds) JUNTA FIBRA 8*14
- 5361 0/005.530.4750 SCREW WATER EXIT 14,1 x 22 x 1 GASKET
- 5362 0/005.530.4790 NEUTRAL INDICATOR GASKET
- 5371 0/005.530.5019 (BOLSA 5 uds) RETEN DE 12*22*7 mm.
- 5372 0/005.530.5029 (BOLSA 5 uds) RETEN 15*24*5 mm.
- 5376 0/005.530.5069 (BOLSA 5 uds) RETEN DE 17*35*8
- 5395 0/005.530.5339 DETENT 10 x 18 x 8
- 5395 0/005.530.5339 (BOLSA 5 uds) RETEN 10*18*8 RST/80
- 5398 0/005.530.5379 (BOLSA 5 uds) RETEN 24x35x7 (VITON) LADO EMBR.
- 5603 0/005.560.0080 FASTENER BOMB DILUTES
- 5605 0/005.560.1460 BAR PUSHER CLUTCH O5 x 116,6
- 5611 0/005.560.2070 PIN
- 5612 0/006.050.0077 THERMOSTAT "BEHR THOMSON No 1085"
- 5615 0/005.560.2580 CRANKCASE GUIDE O11,5 x 12
- 5616 0/005.560.2610 CRANKCASE GUIDE O8,51 x 7,6
- 5636 0/005.560.9010 SHAFT 7,8 x 72
- 5637 0/005.560.9020 SHAFT 7,8 x 91,5
- 5645 0/005.560.3570 SWITCH DEAD POINT
- 5650 0/005.560.9777 SHAFT OIL PUMP
- 5653 0/005.560.9787 SHAFT
- 5661 0/005.560.4007 ROLLER O3 x 21,8 FOR PINENUT BOMB
- 5663 0/005.560.4017 ROLLER O4 x 10 BODY BOMB
- 5665 0/005.560.5510 PUSHER CLUTCH O13 IN HEAD
- 5670 0/005.560.6100 PISTON PIN
- 6013 0/005.600.1290 BODY BOMB DILUTES (FRAM.GT 832222)
- 6013 0/005.600.1280 BODY BOMB DILUTES (FRAM.LT 832221)
- 15270 0/005.150.6489 JOINT
- 15320 0/005.150.7690 BENT TUBE 40 GR. WITH SCREW AND NUT
- 49004 0/005.490.0479 BAND FOR TUBE OILS
- 49007 0/005.490.0269 BAND FOR ENTERED TUBE OILS TO THE BOMB
- 49009 0/005.490.1120 LOCKNUT 4 x 4 x 8
- 49010 0/005.490.1180 LOCKNUT 4 x 4 x 20 FOR SPROCKET
- 49015 0/005.490.1248 LOCKNUT 3 x 3,7 x 10 FLYWHEEL
- 49035 0/005.490.3059 METRIC NUT 7 x 5,5
- 49037 0/005.490.3570 (BOLSA 5 uds) TUERCA M1X1 AUTOLUBRICANTE AM-5
- 49040 0/005.490.3490 (BOLSA 5 uds) TUERCA M10X1,25 FIJ.VOLANTE
- 49041 0/005.490.3370 METRIC NUT 12 x 1,25
- 49042 0/005.490.3240 METRIC NUT 14 x 1,25
- 49049 0/005.490.3420 METRIC NUT 12 x 1
- 49056 0/005.490.3470 (BOLSA 5 uds) TUERCA M-12x1,25 AM-5
- 49068 0/005.490.4127 SPACER O12,4 x 14,4 x 11
- 49074 0/005.490.4390 SPACER DRUM CLUTCH O13 x 30 x 4
- 49084 0/005.490.5140 METRIC SCREW 7 x 115
- 49095 0/005.490.6099 (BOLSA 5 uds) ARANDELA VISELADA
- 49101 0/005.490.6129 WASHER O7 JAGGED INTERIOR
- 49120 0/005.490.6406 (BOLSA 5 uds) ARANDELA 10 x 16 x 0,6 AM5
- 49122 0/005.490.6426 WASHER STEELS O12 x 17 x 0,6
- 49124 0/005.490.6440 WASHER STEELS O12,3 x 22
- 49132 0/005.490.6520 (BOLSA 5 uds) ARANDELA ACERO 17.2x30
- 49135 0/005.490.6556 WASHER STEELS O20,45 x 28 THICKNESS 0,6
- 49135 0/005.490.6554 (BOLSA 5 uds) ARANDELA 20.45*28
- 49139 0/005.491.6046 WASHER STEELS O14,5 x 27 THICKNESS 0,6
- 49139 0/005.491.6044 (BOLSA 5 uds) ARANDELA 14,5x27 ESP O,4 EVOL
- 49139 0/005.491.6044 WASHER STEELS O14,5 x 27 THICKNESS 0,4
- 49151 0/005.491.6096 WASHER STEELS O8,4 x 16 x 0,6
- 49155 0/005.491.6130 WASHER STEELS O8,2 x 15 x 1
- 49175 0/005.490.6800 WASHER O12,75 x 28 x 1,5
- 49191 0/005.490.6890 WASHER O5 x 15 x 2
- 49192 0/005.490.7000 (BOLSA 5 uds) ARANDELA 5x15x2
- 49200 0/005.490.8010 SCREW CLUTCH M14 x 1,25 x 18
- 49226 0/005.490.9389 (BOLSA 5 uds) TILLO.METALICO 4X10 EVOL
- 49227 0/005.490.8420 METRIC SCREW 6 x 6
- 49228 0/005.491.9049 (BOLSA 5 uds) TORNILLO 5x20
- 49230 0/005.490.8460 METRIC SCREW 4 x 10
- 49236 0/005.490.8529 METRIC SCREW 5 x 16
- 49238 0/000.460.0290 METRIC SCREW 6 x 20
- 49244 0/005.490.8619 METRIC SCREW 6 x 20
- 49245 0/000.460.0311 METRIC SCREW 6 x 25
- 49246 0/000.460.0320 METRIC SCREW 6 x 30
- 49248 0/005.490.8659 METRIC SCREW 6 x 40
- 49251 0/005.490.8689 METRIC SCREW 6 x 55
- 49281 0/005.490.9119 METRIC SCREW 8 x 10
- 49290 0/005.490.9220 METRIC SCREW 12 x 1,25
- 49386 0/005.491.7621 WASHER
- 49840 0/005.497.0669 METRIC SCREW 5 x 35
- 53508 0/005.530.5499 (BOLSA 5 uds) RETEN 20*35*7 DIN 3760



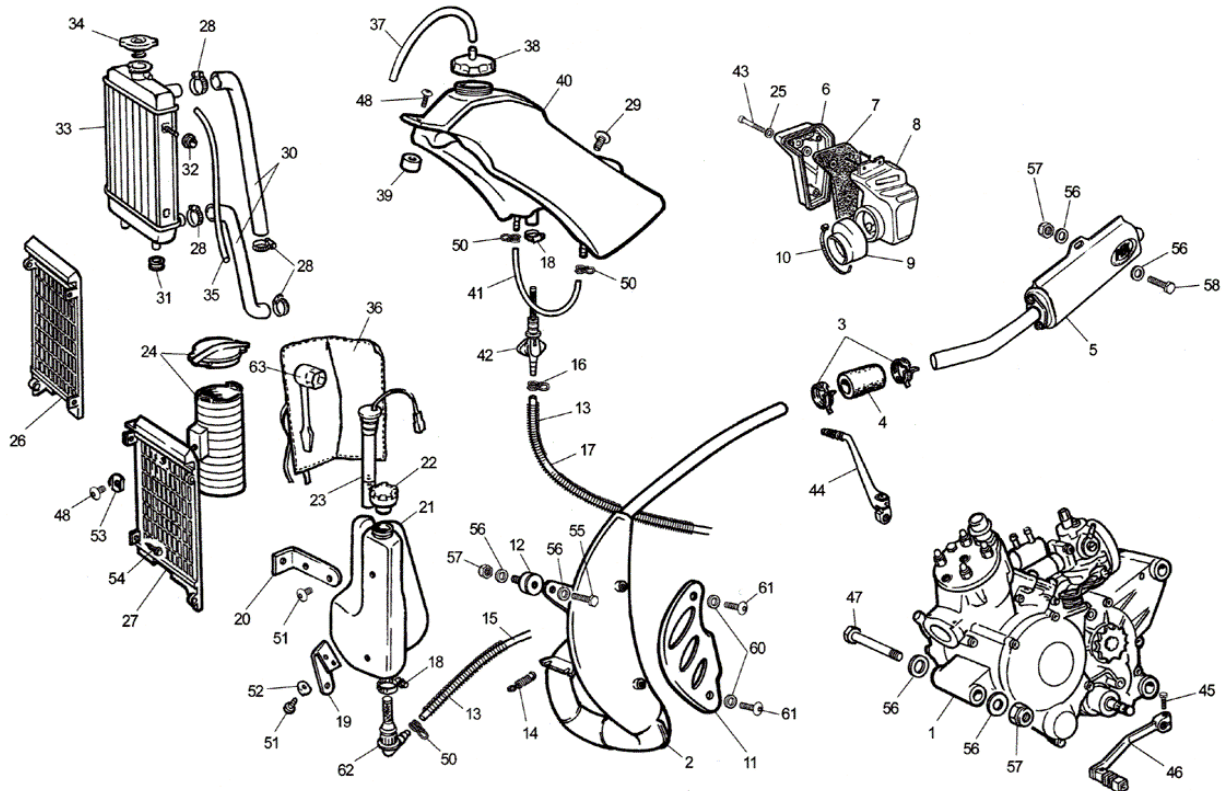
01 SPIKE\2r7\CHASSIS

- 1 0/000.010.0550 LIMITED EDITION RR CHASSIS
- 2 0/000.020.0550 LIMITED EDITION RR BASCULE
- 3 0/000.980.0581 ELIMINATED OF PRODUCTION. IT IS NOT POSSIBLE T
- 4 0/000.980.0580 ELIMINATED OF PRODUCTION. IT IS NOT POSSIBLE T
- 5 0/000.730.0700 BRAKE LEVER
- 6 0/000.210.0510 COMPLETE KICKSTAND
- 7 0/000.980.0540 ENGINE BRACKET
- 8 0/000.380.0710 WHEEL TENSOR
- 9 0/000.740.0040 REAR FOOT SUPPORTS
- 10 0/000.380.0690 ELIMINATED OF PRODUCTION. IT IS NOT POSSIBLE T
- 11 0/000.460.0670 (BOLSA 5 uds) TLL0 6921-G8.8 JS500 M8x25
- 12 0/000.440.0160 (BOLSA 5 uds) ARANDELA LIS.8,5x17x1.25 GT-TT
- 13 0/000.460.0600 (BOLSA 5 uds) TLL0 6921-G8.8 JS500 M6x16
- 14 0/000.340.0180 (BOLSA 5 uds) TUERCA M8 AUTOBL/DIN6926/JS500
- 15 0/000.440.0210 GROWER WASHER
- 16 0/000.740.0061 RIGHT FOOT SUPPORT LIGHT
- 17 0/000.740.0071 LEFT FOOT SUPPORT LIGHT
- 18 0/000.360.0720 FRONT RUBBER TANK SILEMBLOC
- 19 0/000.360.0090 RUBBER TANK SILEMBLOC
- 20 0/000.680.0060 RUBBER TANK HOSE CLAMP
- 21 0/000.360.0700 RUBBER TANK HALF-SHAFT
- 22 0/000.360.0790 RUBBER CHAIN SHOE
- 23 0/000.710.0310 COMPLETE CHAIN GUIDE
- 24 0/000.360.0370 BASCULE SILEMBLOC
- 25 0/000.190.0460 BASCULE AXLE
- 26 0/000.980.0740 REAR BRAKE PINCER BRACKET
- 27 0/000.470.0201 LEFT FOOT SUPPORT SPRING
- 28 0/000.360.0792 RUBBER ROLLER CHAIN GUIDE
- 29 0/000.470.0010 KICKSTAND RECOVERY SPRING
- 30 0/000.470.0760 REAR BRAKE LEVER SPRING
- 31 0/000.340.0180 (BOLSA 5 uds) TUERCA M8 AUTOBL/DIN6926/JS500
- 32 0/000.480.0731 KICKSTAND SEPARATOR
- 33 0/000.480.0210 FOOT SUPPORT SEPARATOR
- 34 0/000.460.0471 SCREW M8 X 45 DIN 931
- 35 0/000.460.0490 SCREW M8 X 55 DIN 933
- 36 0/000.480.0645 CHAIN ROLLER COLLAR
- 37 0/000.380.0700 WHEEL STOP TURNBUCKLE
- 38 0/000.440.0130 (BOLSA 5 uds) ARANDELA LIS.6,5x17x1,5 TT-RS
- 39 0/000.340.0186 SELF-LOCKING NUT M14
- 40 0/000.360.0700 RUBBER TANK HALF-SHAFT
- 41 0/000.470.0200 RIGHT FOOT SUPPORT SPRING
- 42 0/000.390.1631 RACING SPIKE DECALS SET
- 43 0/000.680.0165 CLAMP 40-60
- 44 0/000.980.0569 REAR OIL TANK SUSP. BRACKET
- 46 0/000.460.0660 (BOLSA 5 uds) TLL0 DIN 6921- G8.8 JS500 M8x20
- 100 0/000.460.0310 SCREW DIN 912 M6X20
- 101 0/000.340.0170 SELF-LOCKING NUT DIN 985 M6



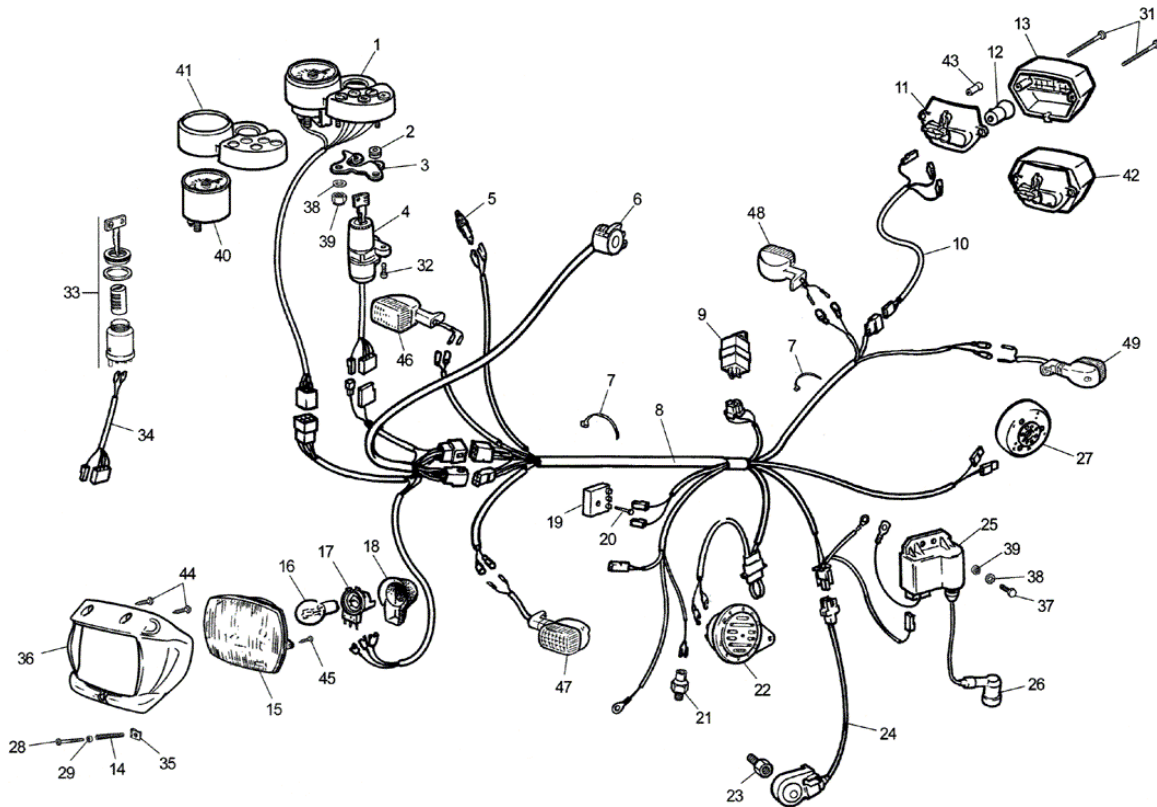
02 SPIKE\2r7\PLASTICS

- 1 0/000.620.1108 RACING SPIKE HEADLIGHT SOCKET
- 2 0/000.360.0173 RUBBER HEADLIGHT SOCKET LOCKING BRACKET
- 3 0/000.570.1108 RACING SPIKE RT. RADIATOR PLATE
- 4 0/000.050.0542 RACING SPIKE FRONT MUDGUARD
- 5 0/000.220.5001 NOT AVAILABLE
- 6 0/000.570.1118 RACING SPIKE LT. RADIATOR PLATE
- 7 0/000.570.1148 RACING SPIKE RT. LATERAL PLATE
- 8 0/000.460.0600 (BOLSA 5 uds) TILLO 6921-GR.8 JS500 M6x16
- 9 0/000.040.2190 COMPLETE SEAT RACING
- 10 0/000.570.1158 RACING SPIKE LT. LATERAL PLATE
- 11 0/000.060.1100 RACING SPIKE REAR MUDGUARD
- 12 0/000.220.0510 ENGINE OUTPUT PINION PROTECTOR
- 13 0/000.200.0310 SHOCK ABSORBER COVER
- 14 0/000.200.0300 CHAIN COVER
- 15 0/000.470.0510 REAR BRAKE HOSE GUIDE SPRING
- 16 0/000.470.0520 ODOMETER CABLE TUBE GUIDE SPRING
- 17 0/000.480.0450 FRONT MUDGUARD SEPARATOR
- 18 0/000.480.1160 FORK CAP SEPARATOR
- 19 0/000.460.1189 (BOLSA 5 uds) TILLO ESPECIAL PLAST. M6X17.5 RS1
- 20 0/000.460.1180 (BOLSA 5 uds) TILLO.ESPECIAL PLAST. M6X17.5 RS1
- 21 0/000.460.2000 (BOLSA 5 uds) TILLO.ULS ISO 7380-10.9 M5X10
- 22 0/000.440.0130 (BOLSA 5 uds) ARANDELA LIS.6,5X17X1,5 TT-RS
- 23 0/000.460.0610 (BOLSA 5 uds) TILLO. 6921-GR.8 JS500 M6X20
- 24 0/000.460.0421 SCREW M6 X 20 DIN 933
- 25 0/000.440.0129 WASHER
- 26 0/000.460.0280 SCREW M5 X 30 DIN 912
- 27 0/000.340.0172 SELF-LOCKING NUT M5
- 28 0/000.340.0170 (BOLSA 5 uds) TUERCA M6 AUTOBL/DIN6926/JS500
- 29 0/000.460.0322 SCREW M6 X 45 DIN 912
- 30 0/000.460.0294 (BOLSA 5 uds) TILLO.DIN.912 - 8.8 M5 X 50
- 31 0/000.060.1010 TAIL MUDGUARD
- 32 0/000.620.0766 ELIMINATED OF PRODUCTION. IT IS NOT POSSIBLE T
- 33 0/000.220.0570 FRAME AND ENGINE PROTECTOR
- 34 0/000.680.0070 ELIMINATED OF PRODUCTION. IT IS NOT POSSIBLE T
- 35 0/000.980.0511 RR LIMITED RIGHT HEADLIGHT SOCKET LOCK. BRACKET
- 36 0/000.980.0511 RR LIMITED LEFT HEADLIGHT SOCKET LOCK. BRACKET
- 37 0/000.350.0500 ELIMINATED OF PRODUCTION. IT IS NOT POSSIBLE T
- 38 0/000.300.0550 ELIMINATED OF PRODUCTION. IT IS NOT POSSIBLE T
- 39 0/000.460.1165 (BOLSA 5 uds) TILLO.ROSCA T.P.O 3.5X12
- 40 0/000.460.1180 (BOLSA 5 uds) TILLO.ESPECIAL PLAST. M6X17.5 RS1
- 41 0/000.460.0300 (BOLSA 5 uds) TILLO DIN 912 JS500 M6x16
- 42 0/000.440.5001 WASHER REFLEX
- 43 0/000.680.5020 BAND GUIDE
- 44 0/000.220.0540 COMPLETE PLASTIC FORK PROTECTOR



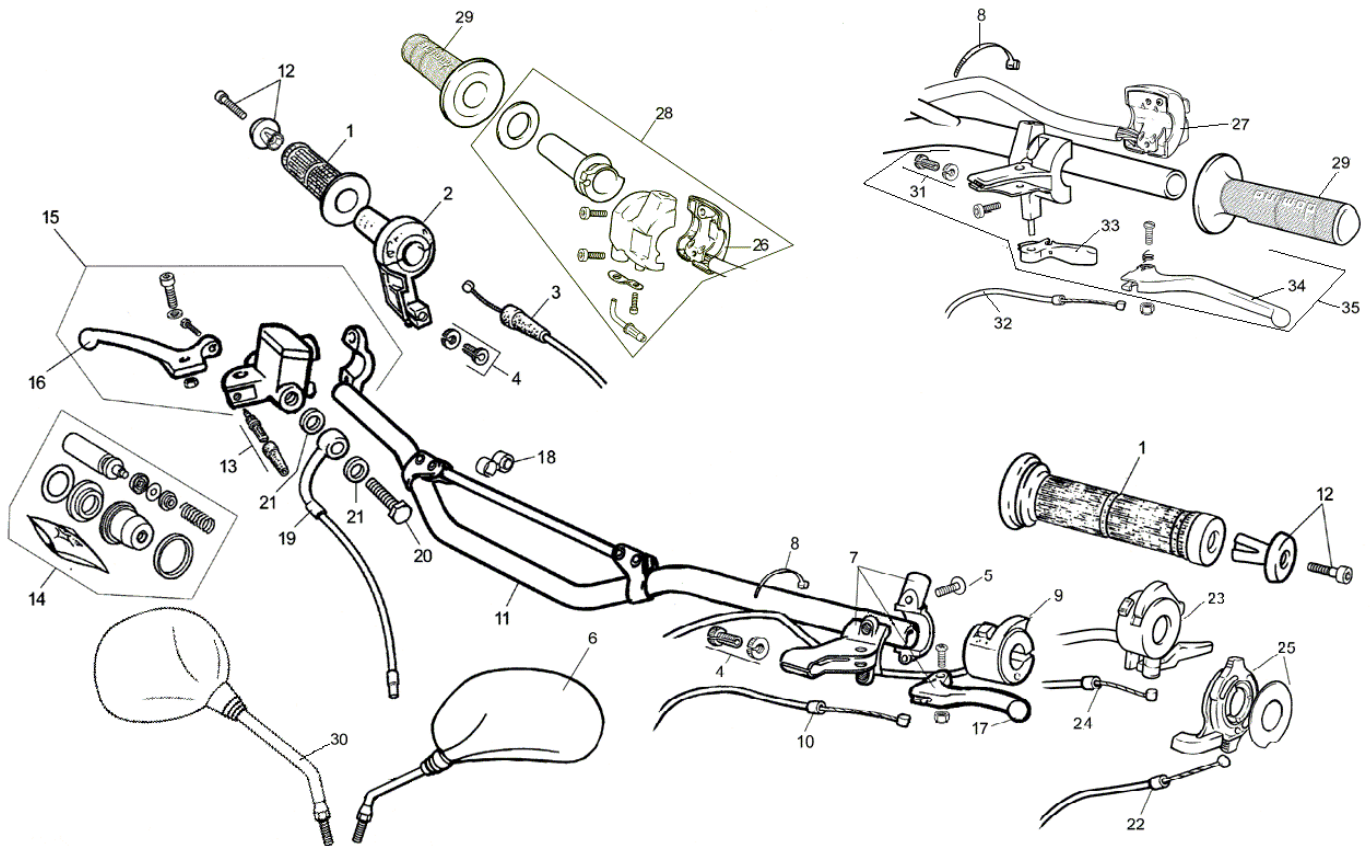
03 SPIKE\2r7\DEPOSIT, ESCAPE TUBE AND RADIATOR

- 1 0/005.082.0382 ELIMINATED OF PRODUCTION. IT IS NOT POSSIBLE T
- 2 0/000.290.0512 COMPLETE CATALYZATOR EXHAUST PIPE
- 3 0/000.680.0550 LOCKING CLAMP
- 4 0/000.360.0160 EXHAUST PIPE W/ MUFFLER LOCK. GASKET
- 5 0/000.870.0200 ELIMINATED OF PRODUCTION. IT IS NOT POSSIBLE T
- 6 0/000.350.1000 AIR FILTER COVER
- 7 0/001.070.0050 AIR FILTER
- 8 0/000.910.1010 FILTER CASE BODY
- 9 0/000.360.0600 CARBURETOR-AIR FILTER JOINT GASKET
- 10 0/000.680.0150 CLAMP
- 11 0/000.220.0560 PIPE PROTECTOR
- 12 0/000.360.0460 LOCKING SILEMBLOC EXHAUST
- 13 0/000.470.6010 PROTECTOR SPRING
- 14 0/005.460.1070 ENGINE PIPE FASTENING SPRING
- 15 0/000.290.0420 OIL HOSE
- 16 0/000.680.0510 CLAMP
- 17 0/000.290.0420 FUEL LINE
- 18 0/000.680.0520 CLAMP
- 19 0/000.980.0573 ELIMINATED OF PRODUCTION. IT IS NOT POSSIBLE T
- 20 0/000.980.0572 UPPER OIL TANK BRACKET
- 21 0/000.030.0550 OIL TANK
- 22 0/000.410.0600 OIL TANK CAP
- 23 0/000.410.0550 DIPSTICK
- 24 0/000.910.0200 TOOL BOX BODY
- 25 0/000.440.0129 LOCK. WASHER
- 26 0/000.220.0300 PLASTIC RIGHT RADIATOR PROTECTOR
- 27 0/000.220.0310 PLASTIC LEFT RADIATOR PROTECTOR
- 28 0/000.680.0200 CLAMP
- 29 0/000.460.1190 (BOLSA 5 uds) TLO.ESPECIAL PLAST.ESP/7380 M6X
- 30 0/000.640.5100 RADIATOR HOSES SET (FRAM.GT 70454)
- 30 0/000.640.0161 RADIATOR HOSES SET (FRAM.LT 70453)
- 31 0/000.360.0400 SILEMBLOC RADIATOR GASKET
- 32 0/000.360.0710 RUBBER SCREW HOUSING
- 33 0/000.580.5000 RADIATOR
- 34 0/000.410.0150 RADIATOR CAP
- 34 0/000.410.0151 KTM RADIATOR CAP
- 34 0/000.410.0152 ELIMINATED OF PRODUCTION. IT IS NOT POSSIBLE T
- 35 0/000.290.0630 RADIATOR VAPORIZER HOSE
- 36 0/000.760.0020 PLASTIC TOOL BAG
- 37 0/000.290.0630 GASOLINE VAPORIZER HOSE
- 38 0/000.410.0502 FUEL TANK CAP WITH KEY
- 38 0/000.410.0500 FUEL TANK CAP
- 39 0/000.360.0010 FUEL TANK SEPARATOR
- 40 0/000.030.0500 FUEL TANK
- 41 0/000.290.0420 FUEL TANK LINK HOSE
- 42 0/000.370.0500 GASOLINE SPIGOT
- 43 0/000.460.0294 (BOLSA 5 uds) TLO.DIN.912 - 8.8 M5 X 50
- 44 0/005.430.5002 STARTER LEVER
- 45 0/000.460.0311 GEAR SELECTOR LOCKING SCREW
- 46 0/005.430.0030 ALUMINUM SELECTOR LEVER
- 47 0/000.460.0550 (BOLSA 5 uds) TLO 6921-G8.8 JS500 M8x100
- 48 0/000.460.1190 (BOLSA 5 uds) TLO.ESPECIAL PLAST.ESP/7380 M6X
- 50 0/000.680.0510 CLAMP
- 51 0/000.460.1189 (BOLSA 5 uds) TLO ESPECIAL PLAST.M6X9
- 52 0/000.440.1210 WASHER
- 53 0/000.440.1210 SPECIAL WASHER
- 54 0/000.460.0740 RADIATOR PROTECTOR LOCK. SCREW
- 55 0/000.460.0651 SCREW M8 X 15 DIN 933
- 56 0/000.440.0160 (BOLSA 5 uds) ARANDELA LIS.8, 8x17x1.25 GT-TT
- 57 0/000.340.0180 (BOLSA 5 uds) TUERCA M8 AUTOBL/DIN6926/JS500
- 58 0/000.460.0660 (BOLSA 5 uds) TLO DIN 6921- G8.8 JS500 M8x20
- 60 0/000.440.0129 WASHER
- 61 0/000.460.0150 SCREW
- 62 0/000.370.0440 OIL FILTER SPIGOT
- 63 0/000.970.5050 SPARK PLUG WRENCH



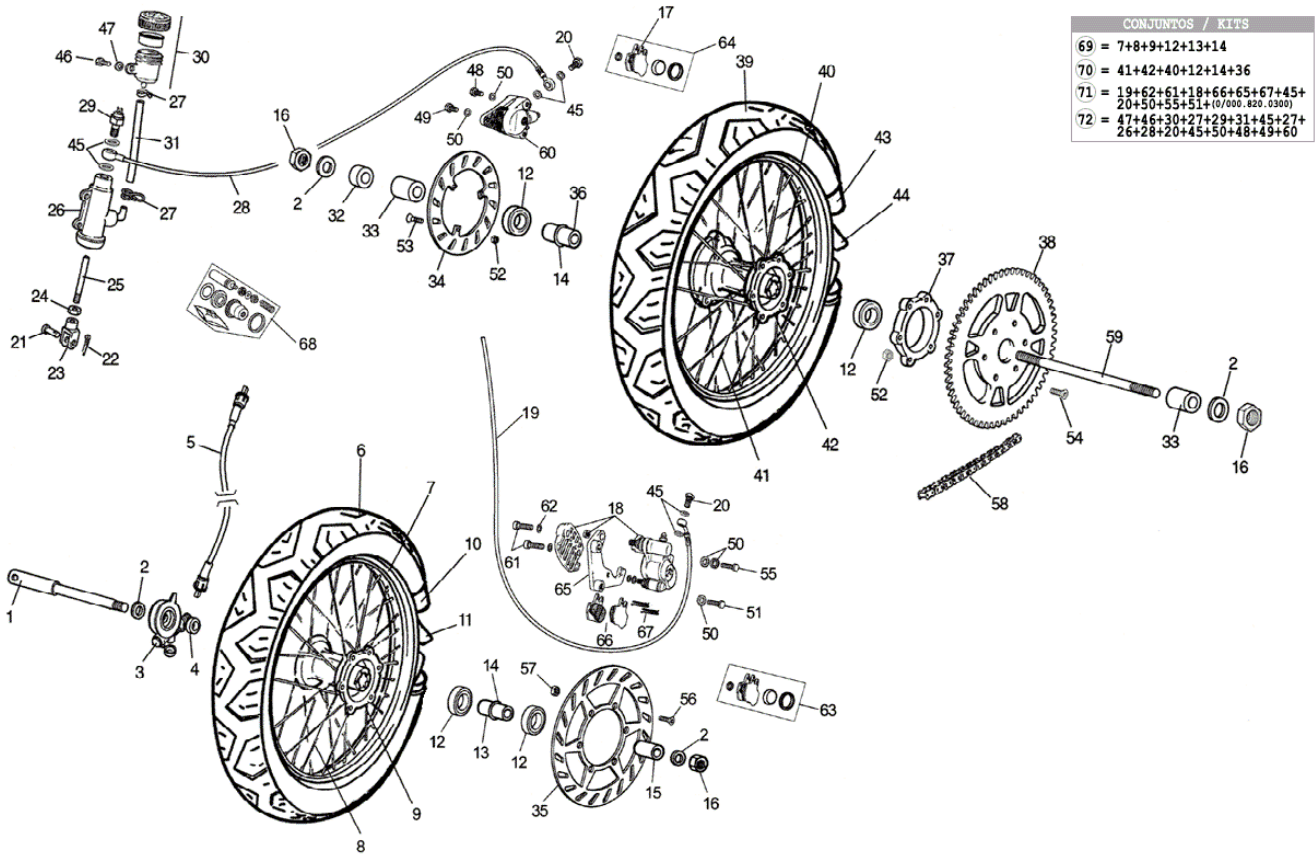
04 SPIKE\2r7\SYSTEM ELECTRICS AND LIGHTS

- 1 0/001.000.0072 CTA. KMS. COMPLETO PARA LLAVE CTO BLOQ. DIREC.
- 1 0/001.000.0082 CTA. KMS. COMPLETO PARA LLAVE CONTACTO 4 VIAS
- 1 0/001.000.0070 CTA. KMS. COMPLETO PARA LLAVE DE CTO CON BLOQ.
- 2 0/000.360.0050 SILEMBLOC
- 3 0/000.980.7130 SOPORTE CTA KMS PARA LLAVE DE CONTACTO CON BLO
- 3 0/000.980.7130 SOPORTE CTA KMS PARA LLAVE DE CONTACTO
- 4 0/001.060.0041 IGNITION KEY AND STEERING LOCK
- 5 0/000.640.7208 FRONT BRAKE STOP SWITCH FOR J. JUAN PUMP
- 5 0/000.720.0070 FRONT BRAKE SWITCH
- 6 X001 LOOK AT MANILLAR PAGE
- 7 0/000.680.0060 CLAMP
- 8 0/000.160.0540 CENTRAL ELECTRICAL INSTALLATION (FRAM.LT 83586
- 8 0/000.160.0550 CENTRAL ELECTRICAL INSTALLATION (FRAM.GT 83587
- 9 0/001.200.5031 TURN-SIGNAL UNIT (FRAM.GT 83587)
- 9 0/001.200.0030 TURN-SIGNAL UNIT (FRAM.LT 83586)
- 10 0/000.160.0526 REAR LIGHT INSTALLATION
- 11 0/000.980.2000 TAILLIGHT BRACKET EU
- 12 0/000.850.0220 LAMP LIGHT EU
- 13 0/000.150.0510 PLASTIC LIGHT EU
- 14 0/000.470.0700 HEADLIGHT LENS REGULATION SPRING
- 15 0/000.600.0250 COMPLETE HEADLIGHT LENS
- 16 0/000.850.0055 FRONT HEADLIGHT BULB
- 17 0/000.620.0500 LENS LIGHT SOCKET
- 18 0/000.360.0760 RUBBER LIGHT SOCKET PROTECTOR
- 19 0/005.070.4725 DISTRIBUTOR CAP
- 20 0/000.460.0622 SCREW M8 X 35 DIN 933
- 21 0/000.460.1150 TORNILLO TEMP 112c
- 21 0/000.460.1151 TORNILLO TAPON SONDA TEMP.
- 22 0/000.420.5000 HORN
- 23 0/000.460.3010 SPECIAL SCREW
- 24 0/000.720.0520 KICKSTAND SWITCH
- 25 0/005.070.2005 OUTER DISCHARGE COIL
- 26 0/005.110.2022 NGK SPARK PLUG PIPETTE
- 27 0/005.822.2419 COMPLETE ELECTRONIC FLYWHEEL
- 28 0/000.460.0220 LENS REGULATION SCREW
- 29 0/000.440.0230 WASHER
- 30 0/000.460.0340 TORNILLO FIJ. PARA LLAVE CONTACTO SIN BLOQUEO
- 31 0/000.460.0744 TORNILLO PILOTO TRASERO DIN 7982 O 4.2x50
- 32 0/000.460.2003 TORNILLO FIJ. PARA LLAVE CONTACTO CON BLOQ. DI
- 33 0/001.060.0070 LLAVE DE CONTACTO 4 VIAS
- 33 0/001.060.0070 LLAVE DE CONTACTO 6 VIAS 2003
- 34 0/000.160.0522 INSTALACION LLAVE DE CONTACTO 4 VIAS
- 34 0/000.160.0527 INSTALACION LLAVE DE CONTACTO 6 VIAS 2003
- 35 0/000.770.0700 HEADLIGHT STOP REGULATOR
- 36 0/000.620.1510 HEADLIGHT LENS SOCKET BRACKET
- 37 0/000.460.0610 (BOLSA 5 uds) TILLO. ROSCA T.P.Q 3.5X12
- 38 0/000.440.0130 (BOLSA 5 uds) ARANDELA LIS.6,5x17x1,5 TT-MS
- 39 0/000.340.0170 (BOLSA 5 uds) THERCA M6 AUTORB/DIN6926/JIS500
- 40 0/001.000.0111 ODOMETER ONLY
- 41 0/000.980.0571 SOPORTE PLASTICO CTA. KMS. PARA LLAVE DE CONTA
- 41 0/000.980.0575 SOPORTE PLASTICO CTA. KMS. PARA LLAVE CTO CON
- 42 0/000.150.0510 COMPLETE REAR LIGHT
- 43 0/000.850.0210 STOP LIGHT BULB
- 44 0/000.460.1165 (BOLSA 5 uds) TILLO. ROSCA T.P.Q 3.5X12
- 45 0/000.460.0100 (BOLSA 5 uds) TILLO.FIJO.OPTICA C/FONTAF RR/LIMI
- 45 0/000.150.2200 LT. FRONT TURN SIG. LIGHT.
- 46 0/000.150.0420 RIGHT FRONT TURN SIGNAL
- 46 0/000.150.2100 RT. FRONT TURN SIG. LIGHT.
- 47 0/000.150.0410 LEFT FRONT TURN SIGNAL
- 48 0/000.150.0410 RIGHT REAR TURN SIGNAL
- 49 0/000.150.0420 LEFT REAR TURN SIGNAL



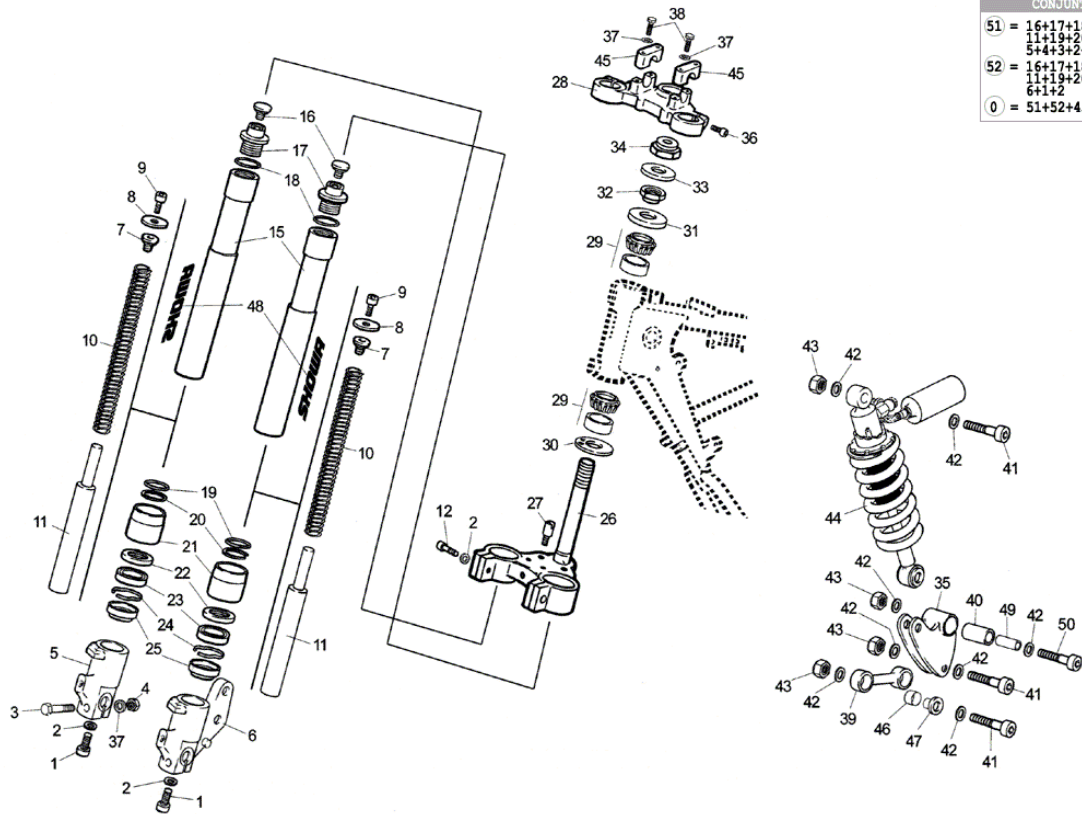
05 SPIKE\2r7\MANILLARES AND CONTROLS

- 1 0/000.530.0520 HANDLEBAR GRIPS
- 2 0/000.530.0510 COMPLETE ACCELERATOR GRIPS
- 3 0/000.550.0543 COMPLETE GAS CABLE 2003
- 4 0/000.640.0700 GAS CABLE SCREW NUT SET
- 5 0/000.460.0311 SCREW M6 X 25 DIN 912
- 6 0/000.990.5000 L / H MIRROR
- 7 0/000.830.0500 COMPLETE CLUTCH HANDLE
- 8 0/000.680.0070 ELIMINATED OF PRODUCTION. IT IS NOT POSSIBLE T
- 9 0/000.720.0160 SWITCH COMPLET
- 9 0/000.830.0310 CLUTCH HANDLE ONLY
- 10 0/000.550.0550 CLUTCH CABLE
- 11 0/000.170.0550 COMPLETE ALUMINUM HANDLEBAR
- 12 0/000.410.0570 COMPLETE HANDLEBAR GRIP STOP CAPS
- 13 0/000.640.7208 FRONT BRAKE STOP SWITCH FOR J.JUAN PUMP
- 13 0/000.720.0070 FRONT BRAKE SWITCH
- 14 0/000.640.0450 FRONT BRAKE PUMP REPLACEMENT KIT
- 15 0/000.820.0300 COMPLETE FRONT BRAKE HANDLE
- 16 0/000.830.0164 FRONT BRAKE HANDLE ONLY
- 17 0/000.830.0510 CLUTCH HANDLE ONLY
- 18 0/000.830.5110 SINGLE STARTER LEVER
- 18 0/000.290.0570 ELIMINATED OF PRODUCTION. IT IS NOT POSSIBLE T
- 19 0/000.290.0580 FRONT F.D. TUBE ONLY
- 20 0/000.460.1300 (BOLSA 5 uds) TILLO.MIRADOR TUBO F.D.BREMO
- 21 0/000.440.1040 (BOLSA 5 uds) ARANDELA JUNTA FRENO DISCO
- 22 0/000.550.0548 STARTER CABLE
- 23 0/000.720.0170 SWITCH COMPLET
- 24 0/000.550.0549 GAS STARTER CABLE
- 25 0/000.830.0520 STARTER SET
- 26 0/000.350.5001 CAP
- 27 0/000.720.5000 SWITCH ASSY
- 28 0/000.530.5000 TWIST GRIP ASSY
- 29 0/000.530.5010 GRIPS
- 30 0/000.990.5001R / H MIRROR
- 31 0/000.640.5700 CABLE ADJUSTER
- 32 0/000.550.5003 CLUTCH CABLE
- 33 0/000.830.5110 SINGLE STARTER LEVER
- 34 0/000.830.0310 CLUTCH LEVER
- 35 0/000.830.5000 CLUTCH LEVER ASSY



06 SPIKE\2r\WHEELS AND CONTROLS

- 0 0/000.120.0300 REAR WHEEL W/SPO AND SOCK.
- 0 0/000.820.0550 COMPLETE FRONT F.D. SET
- 0 0/000.820.0560 COMPLETE REAR F.D. SET
- 0 0/000.110.0300 FRONT WHEEL W/SPO AND SOCK.
- 1 0/000.190.0710 FRONT WHEEL AXLE
- 2 0/000.440.0123 (BOLSA 5 uds) ARANDELA PLANA DE 15
- 3 0/001.010.0110 SPIKE ODOMETER FORWARD
- 4 0/000.480.1500 FORWARD SEPARATOR
- 5 0/000.550.0500 ODOMETER CABLE
- 6 0/000.510.0550 SPIKE FRONT COVER
- 7 0/000.230.0520 SPIKE FRONT TIRE ONLY
- 8 0/000.540.0550 SPIKE FRONT SPOKES W/NUT
- 9 0/000.070.0092 FRONT SOCKET ONLY
- 10 0/000.520.0540 FRONT CHAMBER
- 11 0/000.220.0090 17" FRONT CHAMBER PROTECTOR
- 12 0/000.960.0050 BEARINGS SOCKET
- 13 0/000.480.0240 FRONT SOCKET SEPARATOR ROD.
- 14 0/000.360.0410 RING
- 15 0/000.480.1510 LT. FR. SOCKET SEPARATOR
- 16 0/000.340.7020 (BOLSA 5 uds) TCA.FIJ.EJE CARRETE MTHON
- 17 0/000.930.0060 REAR BRAKE SHOES SET
- 18 0/000.860.0050 FLOATING FRONT BRAKE PINCER
- 19 0/000.290.0247 FRONT F.D. HOSE
- 20 0/000.460.1300 (BOLSA 5 uds) TLLLO.ROCORD TUBO F.D.BREMO
- 21 0/000.840.0090 BRAKE LEVER HOIST
- 22 0/000.840.0060 HOIST 2X10
- 23 0/000.130.0150 BRAKE CHANGE FORK
- 24 0/000.340.0130 (BOLSA 5 uds) TUERCA ZINCADA M6 DIN 934.8
- 25 0/000.240.0270 BRAKE ROD
- 26 0/000.820.0306 REAR F.D. PUMP ONLY
- 27 0/000.680.0500 LOCK. HOSE CLAMP
- 28 0/000.290.0590 REAR F.D. HOSE
- 29 0/000.720.0073 REAR F.D. STOP SWITCH 1999
- 30 0/000.030.0170 F.D. FLUID TANK
- 31 0/000.290.0243 VESSEL JOINT HOSE W/PUMP
- 32 0/000.480.5012 RIGHT REAR WHEEL SEPARATOR
- 33 0/000.480.1540 RT./LT. REAR WHEEL SEPARATOR
- 34 0/001.090.0051 REAR BRAKE DISC O 200
- 34 0/001.090.0050 REAR DISC BRAKE
- 35 0/001.090.0500 BREMSSCHEIBE VORNE O 260
- 36 0/000.480.0200 REAR SOCKET BEARINGS SEPARATOR
- 37 0/000.480.0850 CHAIN PLATE SEPARATOR
- 38 0/000.500.0540 ALUMINUM CHAIN DRIVE PLATE Z/48
- 39 0/000.510.0560 SPIKE REAR COVER
- 40 0/000.230.0530 SPIKE REAR TIRE ONLY
- 41 0/000.540.0560 SPIKE REAR SPOKES W/NUT
- 42 0/000.080.0092 REAR SOCKET
- 43 0/001.520.0550 SPIKE REAR CHAMBER
- 44 0/000.220.0090 REAR CHAMBER PROTECTOR
- 45 0/000.440.1040 (BOLSA 5 uds) ARANDELA JUNTA FRENO DISCO
- 46 0/000.460.0600 (BOLSA 5 uds) TLLLO 6921-G8.8 JS500 M6x16
- 47 0/000.440.0130 (BOLSA 5 uds) ARANDELA LIS.6,5x17x1,5 TT-KS
- 48 0/000.460.0471 LOCK. SCREW M8 X 45 DIN 933
- 49 0/000.460.0651 LOCK. SCREW M8 X 15 DIN 933
- 50 0/000.440.0210 GROWER WASHER
- 51 0/000.460.0671 LOCK. SCREW M8 X 30
- 52 0/000.340.0180 (BOLSA 5 uds) TUERCA M8 AUTOBL/DIN6926/JS500
- 53 0/000.460.0840 (BOLSA 5 uds) TORNILLO DIN 7991 M8 35
- 54 0/000.460.0673 (BOLSA 5 uds) TLLLO.DIN 7991 M8 X 45 JS-500
- 55 0/000.460.0480 LOCK. SCREW M8 X 50
- 56 0/000.460.0821 (BOLSA 5 uds) TLLLO DIN 7991 PAV. M6x20
- 57 0/000.340.0170 (BOLSA 5 uds) TUERCA M6 AUTOBL/DIN6926/JS500
- 58 0/001.050.0530 COMPLETE CHAIN
- 59 0/000.190.0700 REAR WHEEL AXLE
- 60 0/000.860.0060 REAR BRAKE PINCER
- 61 0/000.460.0672 SCREW M8 X 35 DIN 933
- 62 0/000.440.0160 (BOLSA 5 uds) ARANDELA LIS.8,5x17x1.25 GT-TT
- 63 0/000.640.0415 FLOATING PINCER REPAIR KIT
- 64 0/000.640.0420 REAR BRAKE PINCER REPAIR KIT
- 65 0/000.980.0640 FLOATING PINCER COUPLING
- 66 0/000.930.3005 FLOATING PINCER SHOES SET
- 67 0/000.640.0110 FLOATING PINCER CLIPS
- 68 0/000.640.0460 REAR PUMP SET REPAIR KIT
- 69 0/000.110.0300 FRONT WHEEL W/SPO AND SOCK.
- 70 0/000.120.0500 REAR WHEEL W/SPO AND SOCK.
- 71 0/000.820.0550 COMPLETE FRONT F.D. SET
- 72 0/000.820.0560 COMPLETE REAR F.D. SET



07 SPIKE\2r7\SUSPENSION

- 0 0/000.130.0540 COMPLETE FORK
- 1 0/000.460.0345 (BOLSA 5 uds) TORNILLO DIN.912 M8 X 25 JS-500
- 2 0/000.440.0180 WASHER
- 3 0/000.460.0480 SCREW
- 4 0/000.340.0180 (BOLSA 5 uds) TUERCA M8 AUTOBL/DIN6926/JS500
- 5 0/000.880.0530 RIGHT FORK LEG CAP
- 6 0/000.880.0540 LEFT FORK LEG CAP
- 7 0/000.710.0500 FORK GUIDE SPRING
- 8 0/000.440.1200 FORK SPRING STOP WASHER
- 9 0/000.460.0342 SPRING STOP LOCKING SCREW
- 10 0/000.470.0720 FORK SPRING
- 11 0/000.290.0531 MAIN FORK HOSE
- 12 0/000.460.0320 SCREW M8 X 30 DIN 912
- 15 0/000.880.0501 LEFT Y RIGHT FORK LEG
- 16 0/000.410.0210 UPPER BAR CAP
- 17 0/000.410.0510 THREADED FORK TANK CAP
- 18 0/000.490.0510 UPPER FORK JOINT RING
- 19 0/000.490.0500 FORK JOINT RING
- 20 0/000.300.0500 MOVING FORK HEAD LOCKING RING
- 21 0/000.290.0511 MOVING FORK HEAD HOSE
- 22 0/000.980.0530 FORK RETAINER BRACKET
- 23 0/000.890.0500 FORK RETAINER
- 24 0/000.300.0510 FORK RETAINER LOCKING RINGS
- 25 0/000.890.0510 FORK SCRAPER RETAINER
- 26 0/000.660.0670 LOWER PLATE WITH STEM
- 27 0/000.460.1602 STEERING STOP SCREW
- 28 0/000.660.0680 UPPER PLATE
- 29 0/000.960.0040 STEERING BEARING SET
- 30 0/000.200.7001 LOWER DUST COVER
- 31 0/000.200.7000 UPPER DUST COVER
- 32 0/000.340.0550 LOWER STEERING NUT
- 33 0/000.440.0050 (BOLSA 5 uds) BRUNO.TUERCA TIJA Q35 X 25 X 1
- 34 0/000.340.0325 UPPER STEERING NUT
- 35 0/000.980.0630 LOCKING TIE ROD BRACKET
- 36 0/000.460.0350 SCREW M8 X 45 DIN 912
- 37 0/000.440.0180 WASHER O 8
- 38 0/000.460.0470 SCREW M8 X 40 DIN 931
- 39 0/000.770.0103 COMPLETE LINK 2007
- 40 0/000.360.0370 SILENBLOC TIE ROD BRACKET
- 41 0/000.460.0402 (BOLSA 5 uds) TILO DIN 912 JS500 M10x50
- 42 0/000.440.0110 (BOLSA 5 uds) ARANDELA BIS 10x24x1.5
- 43 0/000.340.0182 (BOLSA 5 uds) TUERCA M10 AUTOBL/DIN6926/JS500
- 44 0/000.180.5000 SHOCK ABSORBER
- 45 0/000.350.6003 LOCK. HANDLEBAR COVER
- 48 0/000.390.0001 ELIMINATED OF PRODUCTION. IT IS NOT POSSIBLE T
- 49 0/000.480.1550 TIE ROD COLLAR 51 X O 14 X 10
- 50 0/000.460.0407 SCREW DIN 912 M 10 X 75
- 51 0/000.640.0362 CUTO. MEDIA SUSPENSTON DERECHA
- 52 0/000.640.0363 CUTO. MEDIA SUSPENSTON IZQUIERDA