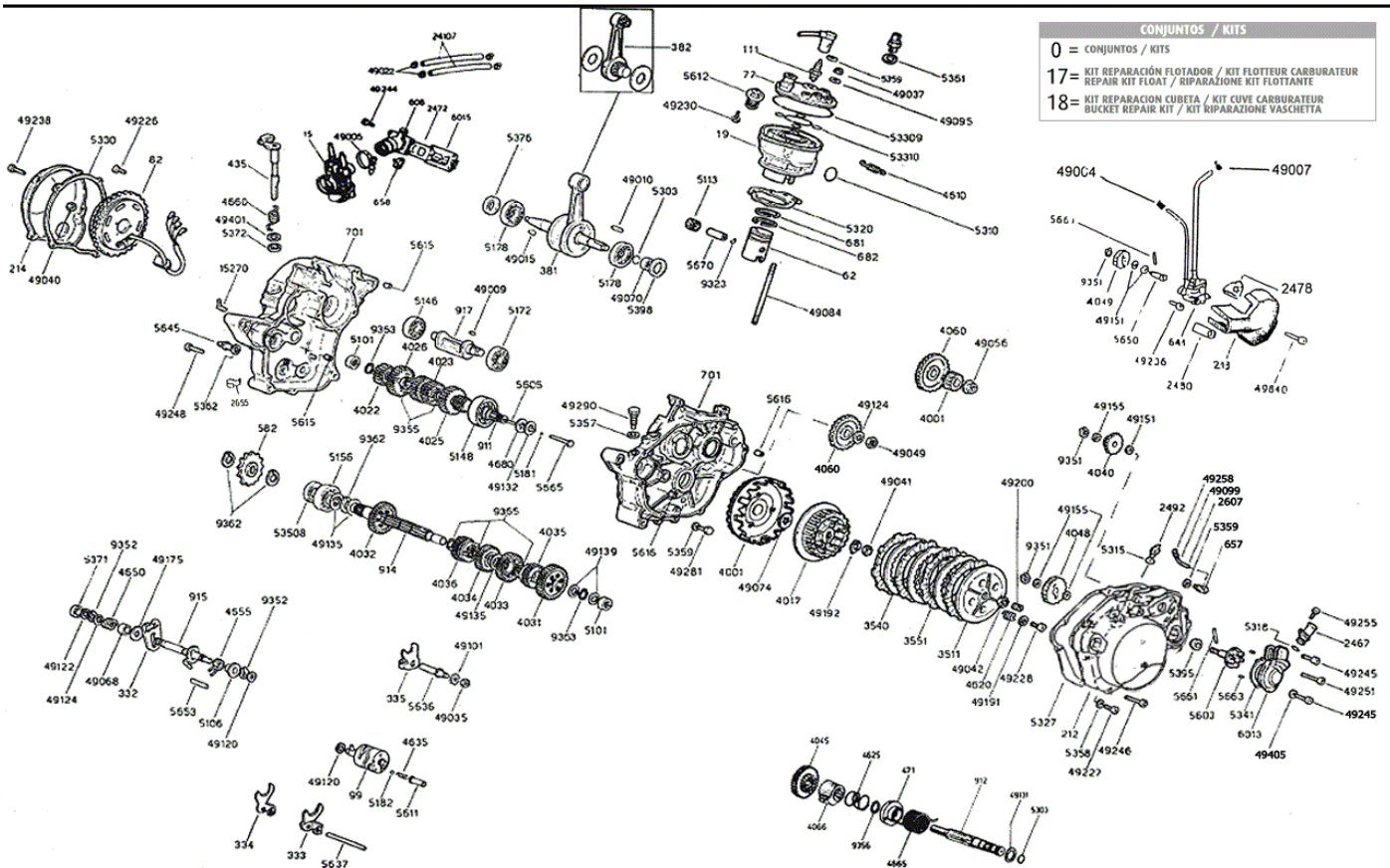


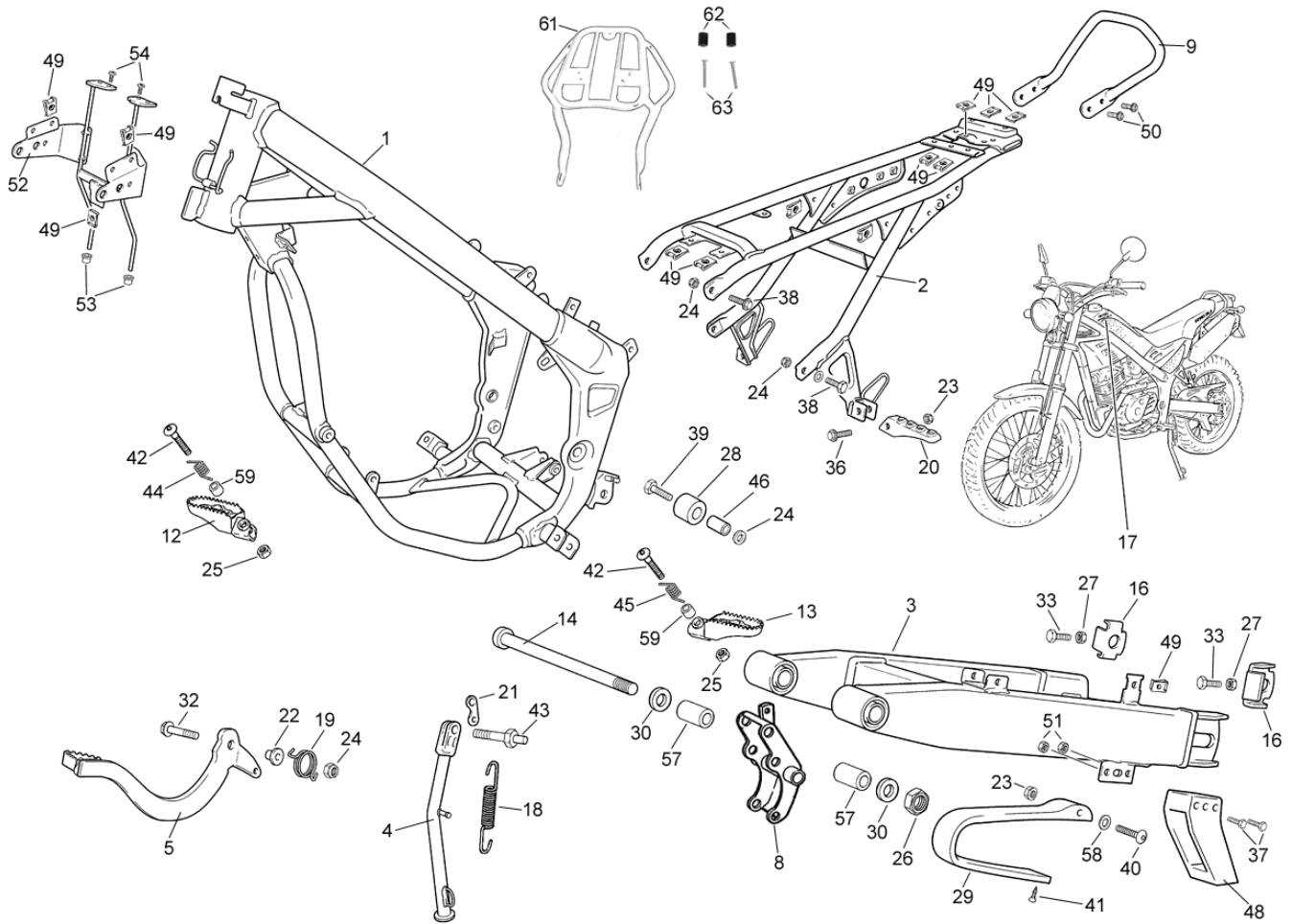
AM6 K/S EURO 0384



00 TANGO50\07d\ENGINE#d

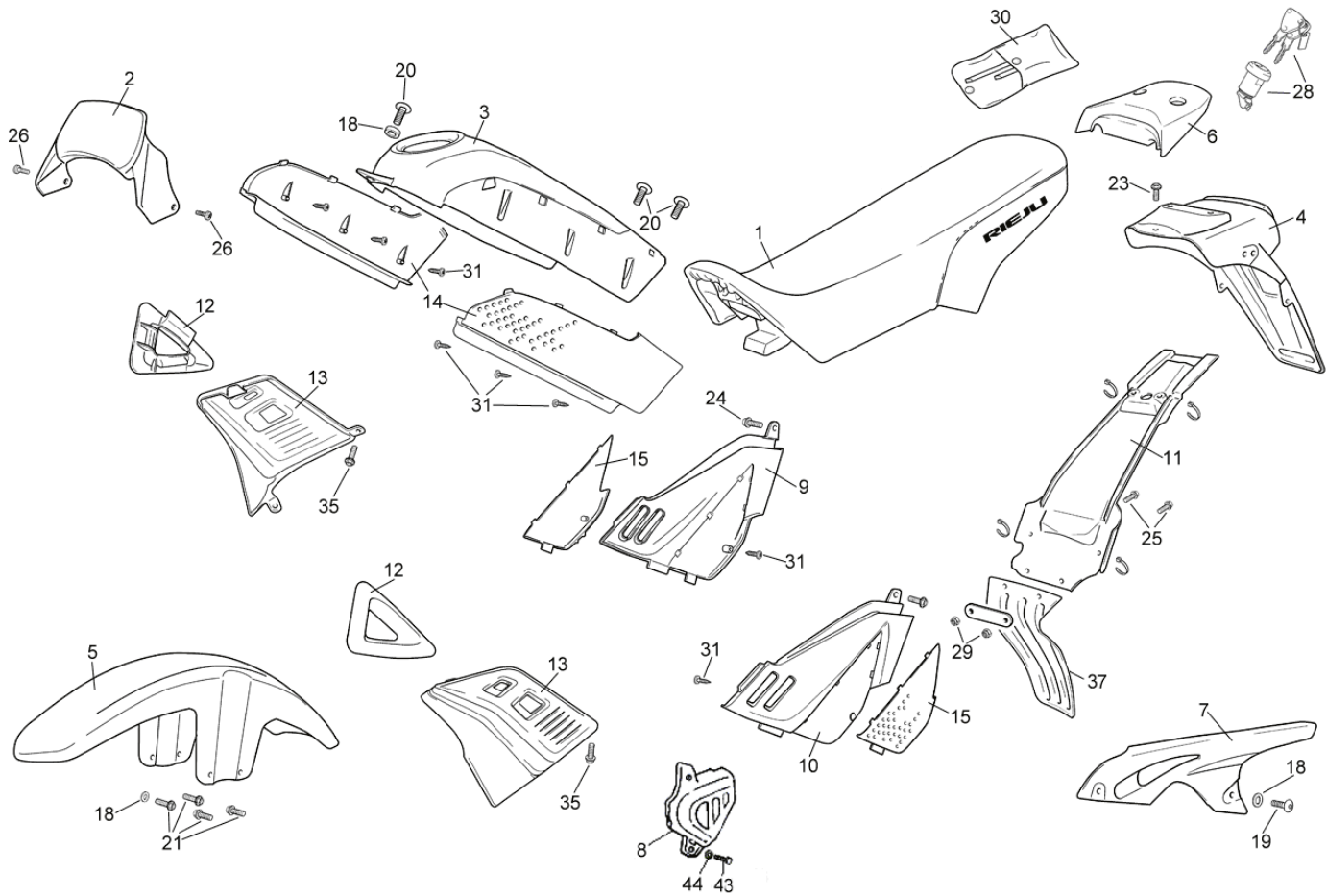
- 99 0/005.090.0330 TREE
- 332 0/005.330.0217 FORK SENDS SELECTOR
- 333 0/005.330.0060 FORK CONTROL CHANGE 1a AND 3a
- 334 0/005.330.0070 FORK CONTROL CHANGE 2a AND 3a
- 335 0/005.330.0080 FORK CONTROL CHANGE 5a AND 6a
- 435 0/005.430.0320 WEIGH CLUTCH COMPLETE
- 657 0/005.650.1421 BRIDGE REGISTERS CABLE OIL PUMP PRICOL
- 657 0/005.650.1420 BRIDGE REGISTERS CABLE OIL PUMP
- 658 0/005.650.1410 BRIDGE CABLE CLUTCH
- 2467 0/005.240.2050 ENTERED MUFF DILUTES ON PUMP
- 2472 0/005.240.2117 INSERT VALVE OF SHEETS
- 2492 0/005.247.0547 PLUG FEEDING OIL
- 3551 0/005.350.3580 DISK LINED CLUTCH
- 4040 0/005.400.4787 INTERMEDIATE DOUBLE PINENUT Z = 13/24
- 4049 0/005.400.5757 PINENUT PUMP OILS
- 4610 0/005.460.1070 SPRING EXHAUST
- 4635 0/005.460.3510 SPRING RETAINS MARCH
- 4650 0/005.460.1967 SPRING RETAINS FORK SELECTOR
- 4655 0/005.460.2027 SPRING RETAINS LEVER SELECTOR
- 4660 0/005.460.2200 SPRING RECOVERY WEIGHS CLUTCH
- 4680 0/005.460.3010 WASHER-SPRING
- 5101 0/005.510.1029 CAGE OF ROLLERS DB 14-12
- 5106 0/005.510.1297 CAP FOR SELECTOR SPRING
- 5146 0/005.510.2039 BEARING O15 x 25 x 11
- 5148 0/005.510.2059 BEARING O17 x 40 x 12
- 5156 0/005.510.2159 BEARING O20 x 47 x 14
- 5172 0/005.510.2299 BEARING O17 x 40 x 12
- 5178 0/005.510.2652 BEARING O17 x 47 x 14
- 5181 0/005.510.4039 BALL 3/16"
- 5182 0/005.510.4079 BALL O9 MM
- 5308 0/005.530.1149 RING O19 x 1,2
- 5318 0/005.530.1329 RING OF RETENTION O11,8 x 2,4
- 5320 0/005.530.8020 (BOLSA 5 uds) JUNTA CILINDRO AM-5
- 5327 0/005.530.3640 (BOLSA 5 uds) JUNTA TAPA EMBRAGUE AM-5
- 5341 0/005.530.4000 (BOLSA 5 uds) JUNTA CUERPO BOMBA AGUA AM-5
- 5357 0/005.530.4710 SCREW GASKET
- 5358 0/005.530.4720 SCREW 6 x 12 OIL LEVEL GASKET
- 5359 0/005.530.4730 (BOLSA 5 uds) JUNTA FIBRA 8*14
- 5361 0/005.530.4750 SCREW WATER EXIT 14,1 x 22 x 1 GASKET
- 5362 0/005.530.4790 NEUTRAL INDICATOR GASKET
- 5371 0/005.530.5019 (BOLSA 5 uds) RETEN DE 12*22*7 mm.
- 5372 0/005.530.5029 (BOLSA 5 uds) RETEN 15*24*5 mm.
- 5376 0/005.530.5069 (BOLSA 5 uds) RETEN DE 17*35*8
- 5395 0/005.530.5339 DETENT 10 x 18 x 8
- 5395 0/005.530.5339 (BOLSA 5 uds) RETEN 10*18*8 RST/80
- 5398 0/005.530.5379 (BOLSA 5 uds) RETEN 24x35x7 (VITON) LADO EMBR.
- 5603 0/005.560.0080 FASTENER BOMB DILUTES
- 5605 0/005.560.1460 BAR PUSHER CLUTCH O5 x 116,6
- 5611 0/005.560.2070 PIN
- 5612 0/006.050.0077 THERMOSTAT "BEHR THOMSON No 1085"
- 5615 0/005.560.2580 CRANKCASE GUIDE O11,5 x 12
- 5616 0/005.560.2610 CRANKCASE GUIDE O8,51 x 7,6
- 5636 0/005.560.9010 SHAFT 7,8 x 72
- 5637 0/005.560.9020 SHAFT 7,8 x 91,5
- 5645 0/005.560.3570 SWITCH DEAD POINT
- 5650 0/005.560.9777 SHAFT OIL PUMP
- 5653 0/005.560.9787 SHAFT
- 5661 0/005.560.4007 ROLLER O3 x 21,8 FOR PINENUT BOMB
- 5663 0/005.560.4017 ROLLER O4 x 10 BODY BOMB
- 5665 0/005.560.5510 PUSHER CLUTCH O13 IN HEAD
- 5670 0/005.560.6100 PISTON PIN
- 6013 0/005.600.1290 BODY BOMB DILUTES (FRAM.GT 832222)
- 6013 0/005.600.1280 BODY BOMB DILUTES (FRAM.LT 832221)
- 15270 0/005.150.6489 JOINT
- 15320 0/005.150.7690 BENT TUBE 40 GR. WITH SCREW AND NUT
- 49004 0/005.490.0479 BAND FOR TUBE OILS

- 49007 0/005.490.0269 BAND FOR ENTERED TUBE OILS TO THE BOMB
- 49009 0/005.490.1120 LOCKNUT 4 x 4 x 8
- 49010 0/005.490.1180 LOCKNUT 4 x 4 x 20 FOR SPROCKET
- 49015 0/005.490.1248 LOCKNUT 3 x 3,7 x 10 FLYWHEEL
- 49035 0/005.490.3059 METRIC NUT 7 x 5,5
- 49037 0/005.490.3570 (BOLSA 5 uds) TUERCA M1X1 AUTOLUBRICANTE AM-5
- 49040 0/005.490.3490 (BOLSA 5 uds) TUERCA M10X1,25 FIJ.VOLANTE
- 49041 0/005.490.3370 METRIC NUT 12 x 1,25
- 49042 0/005.490.3240 METRIC NUT 14 x 1,25
- 49049 0/005.490.3420 METRIC NUT 12 x 1
- 49056 0/005.490.3470 (BOLSA 5 uds) TUERCA M-12x1.25 AM-5
- 49068 0/005.490.4127 SPACER O12,4 x 14,4 x 11
- 49074 0/005.490.4390 SPACER DRUM CLUTCH O13 x 30 x 4
- 49084 0/005.490.5140 METRIC SCREW 7 x 115
- 49095 0/005.490.6099 (BOLSA 5 uds) ARANDELA VISELADA
- 49101 0/005.490.6129 WASHER O7 JAGGED INTERIOR
- 49120 0/005.490.6406 (BOLSA 5 uds) ARANDELA 10 x 16 x 0,6 AM5
- 49122 0/005.490.6426 WASHER STEELS O12 x 17 x 0,6
- 49124 0/005.490.6440 WASHER STEELS O12,3 x 22
- 49132 0/005.490.6520 (BOLSA 5 uds) ARANDELA ACERO 17.2x30
- 49135 0/005.490.6556 WASHER STEELS O20,45 x 28 THICKNESS 0,6
- 49135 0/005.490.6554 (BOLSA 5 uds) ARANDELA 20.45*28
- 49139 0/005.491.6046 WASHER STEELS O14,5 x 27 THICKNESS 0,6
- 49139 0/005.491.6044 (BOLSA 5 uds) ARANDELA 14,5x27 ESP O4 EVOL
- 49139 0/005.491.6044 WASHER STEELS O14,5 x 27 THICKNESS 0,4
- 49151 0/005.491.6096 WASHER STEELS O8,4 x 16 x 0,6
- 49155 0/005.491.6130 WASHER STEELS O8,2 x 15 x 1
- 49175 0/005.490.6800 WASHER O12,75 x 28 x 1,5
- 49191 0/005.490.6890 WASHER O5 x 15 x 2
- 49192 0/005.490.7000 (BOLSA 5 uds) ARANDELA 5x15x2
- 49200 0/005.490.8010 SCREW CLUTCH M14 x 1,25 x 18
- 49226 0/005.490.9389 (BOLSA 5 uds) TILLO METALICO 4X10 EVOL
- 49227 0/005.490.8420 METRIC SCREW 6 x 6
- 49228 0/005.491.9049 (BOLSA 5 uds) TORNILLO 5x20
- 49230 0/005.490.8460 METRIC SCREW 4 x 10
- 49236 0/005.490.8529 METRIC SCREW 5 x 16
- 49238 0/000.460.0290 METRIC SCREW 6 x 20
- 49244 0/005.490.8619 METRIC SCREW 6 x 20
- 49245 0/000.460.0311 METRIC SCREW 6 x 25
- 49246 0/000.460.0320 METRIC SCREW 6 x 30
- 49248 0/005.490.8659 METRIC SCREW 6 x 40
- 49251 0/005.490.8689 METRIC SCREW 6 x 55
- 49281 0/005.490.9119 METRIC SCREW 8 x 10
- 49290 0/005.490.9220 METRIC SCREW 12 x 1,25
- 49386 0/005.491.7621 WASHER
- 49840 0/005.497.0669 METRIC SCREW 5 x 35
- 53508 0/005.530.5499 (BOLSA 5 uds) RETEN 20*35*7 DIN 3760



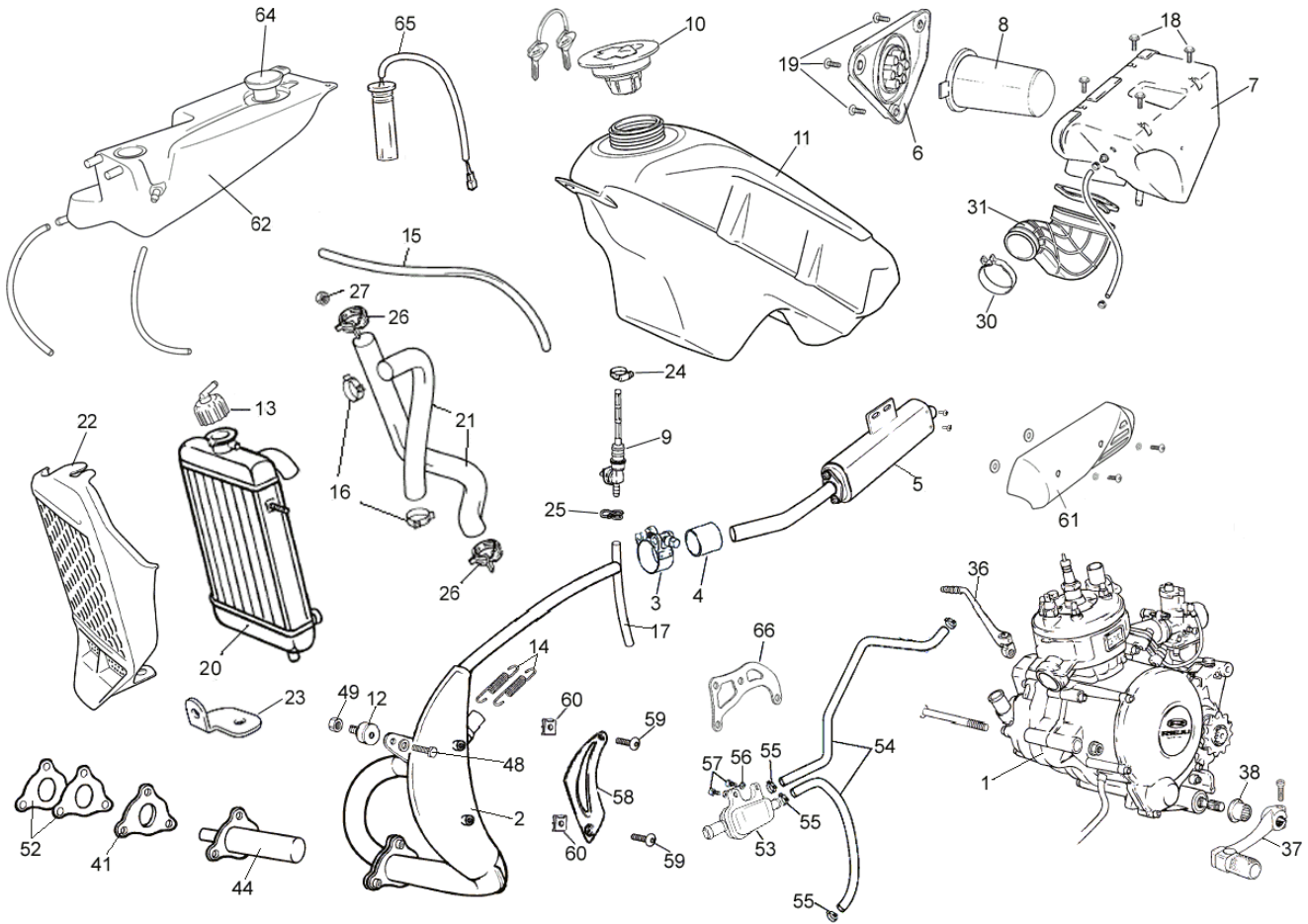
01 TANGO50\07d\CHASSIS

- 1 0/000.010.8200 FRONT CHASSIS TANGO
- 2 0/000.010.8102 REAR CHASSIS TANGO
- 3 0/000.020.5200 COMPLETE SWING ARM
- 4 0/000.210.8000 SIDE STAND TANGO
- 5 0/000.730.8000 BRAKE LEVER TANGO
- 8 0/000.980.8100 REAR ENGINE SUPPORT
- 9 0/000.980.8015 PASSANGER REAR SUPPORT TANGO
- 10 0/000.980.8006 CASE SECURING SUPPORT
- 11 0/000.980.8007 LOWER CASE SECURING SUPPORT
- 12 0/000.740.0301 RIDER RIGHT FOOTREST
- 13 0/000.740.0311 RIDER LEFT FOOTREST
- 14 0/000.190.8001 SWING ARM AXLE TANGO
- 15 0/000.360.5006 FOOTREST RUBBER PROTECTION
- 16 0/000.380.5100 WHEEL TENSIONER
- 17 0/000.390.8001 DECAL TANGO
- 17 0/000.390.8000 DECAL TANGO
- 18 0/000.470.8000 SIDE STAND SPRING TANGO
- 19 0/000.470.8001 BRAKE LEVER SPRING TANGO
- 20 0/000.740.0330 PASSENGER FOOTREST (IRON)
- 21 0/000.980.5006 RETURN CAM SIDE STAND SPRING
- 22 0/000.260.8000 BRAKE LEVER BUSH
- 23 0/000.340.0170 SELF-LOCKING NUT DIN 985 M6
- 25 0/000.340.0182 NUT DIN 985 M10
- 26 0/000.340.5000 NUT DIN 980 M14
- 27 0/000.340.8000 NUT DIN 934 M8 S.S.
- 28 0/000.360.0792 RUBBER ROLLER CHAIN GUIDE
- 29 0/000.360.5001 RUBBER SHOE CHAIN
- 30 0/000.440.0123 WASHER DIN 125A M15
- 32 0/000.460.0480 SCREW M8X50 DIN 6921
- 33 0/000.460.0481 SCREW DIN 933 M8X50 S.S.
- 36 0/000.460.0622 SCREW DIN 6921 M6X35
- 37 0/000.460.0623 SCREW DIN 933 M6X45
- 38 0/000.460.0670 SCREW DIN 933 M8X25
- 39 0/000.460.0672 SCREW DIN 6921 M8X35
- 40 0/000.460.1191 SCREW ISO 7380 SPE.M6.45
- 41 0/000.460.0745 SECURING SCREW SHOE CHAIN DIN 7982 5,5X19
- 42 0/000.460.5100 SCREW DIN-ULS 7380 M10X50
- 43 0/000.460.8000 SIDE STAND SCREW
- 44 0/000.470.5001 RIGHT FOOTREST SPRING
- 45 0/000.470.5002 LEFT FOOTREST SPRING
- 46 0/000.480.0645 SEPARATOR 14X2,75X24,5
- 47 0/000.340.0170 SELF-LOCKING NUT DIN 985 M6
- 48 0/000.710.0300 CHAIN GUIDE
- 49 0/000.340.5101 QUICK NUT DIN 934 M6
- 50 0/000.460.1700 SCREW DIN 6921 6X16 8,8
- 51 0/000.340.0130 NUT DIN 934 M6
- 52 0/000.980.8016 HEADLIGHT SUPPORT (FRAM.GT 700735)
- 52 0/000.980.8002 HEADLIGHT SUPPORT (FRAM.LT 700734)
- 53 0/000.360.8001 SINEMBLOK
- 54 0/000.460.1170 SCREW M5X16
- 55 0/000.980.8004 COIL RACK
- 56 0/000.460.1703 SCREW DIN 7985
- 57 0/000.360.0370 SWING ARM SINEMBLOK
- 58 0/000.440.5000 NYLON WASHER
- 59 0/000.480.0210 RIDER FOOTREST SEPARATOR
- 61 0/000.980.8013 PARRILLA PORTABULTOS
- 62 0/000.480.8002 CASQUILLO PARRILLA TANGO
- 63 0/000.460.1192 TLLLO. ESP ISO 7380 M6x50
- 64 0/000.980.8004 COIL RACK (FRAM.GT 601601)



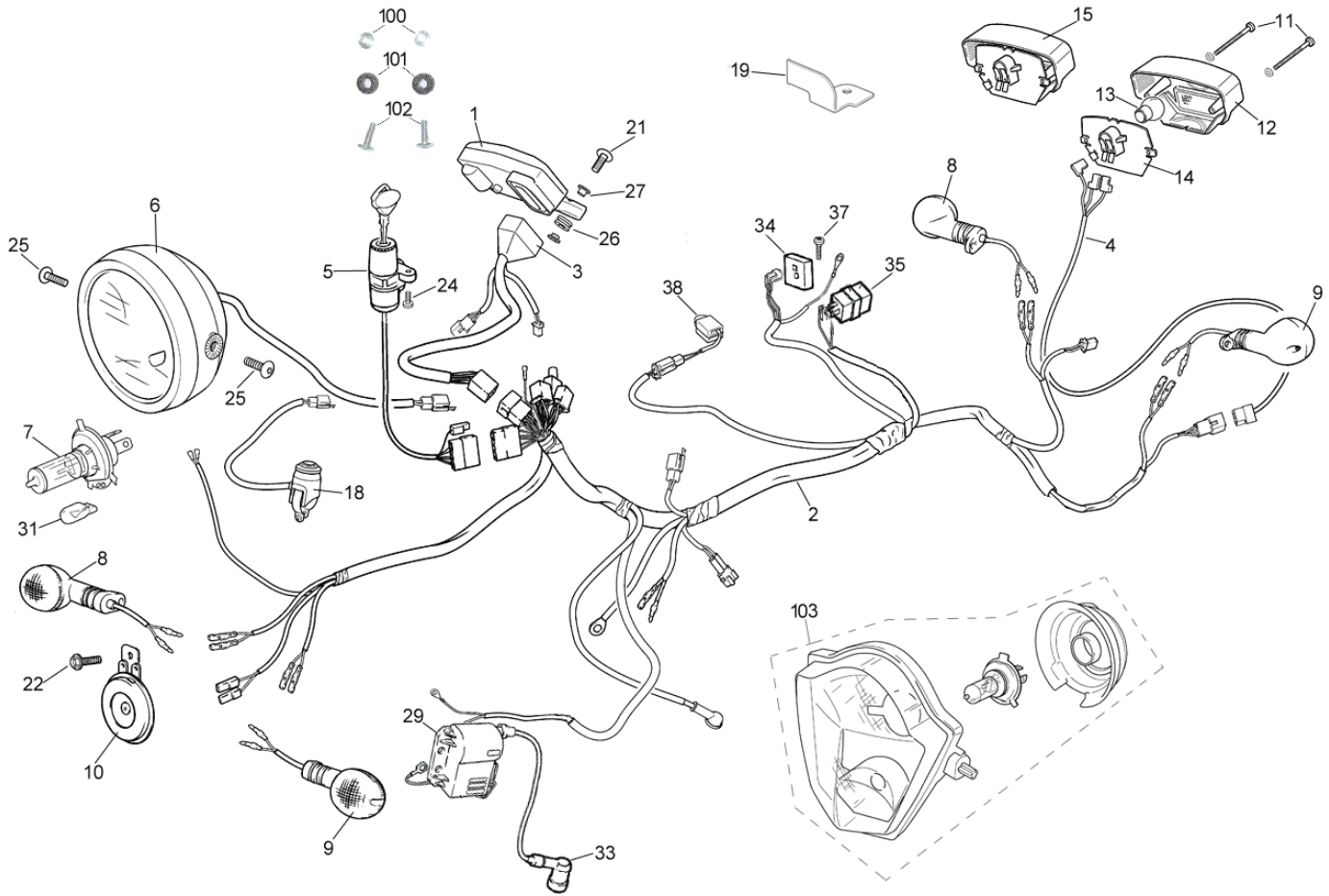
02 TANGO50\07d\PLASTICS

- 1 0/000.040.8013 COMPLETE SEAT TANGO
- 2 0/000.570.8010 HEADLIGHT EMBELLISHMENT COVER
- 3 0/000.570.8034 GREEN TANK COVER
- 3 0/000.570.8035 ORANGE TANK COVER
- 4 0/000.060.1020 REAR MUDGUARD TANGO
- 5 0/000.050.8001 FRONT MUDGUARD TANGO
- 6 0/000.570.8038 ORANGE SEAT BASE REAR COVER
- 6 0/000.570.8037 GREEN SEAT BASE REAR COVER
- 7 0/000.200.0301 CHAIN COVER
- 8 0/000.220.0510 PINION PROTECTION OUTPUT ENGINE
- 9 0/000.570.8041 GREEN UPPER RIGHT SIDE COVER
- 9 0/000.570.8043 ORANGE UPPER RIGHT SIDE COVER
- 10 0/000.570.8042 GREEN UPPER LEFT SIDE COVER
- 10 0/000.570.8044 ORANGE UPPER LEFT SIDE COVER
- 11 0/000.570.8028 WHEEL COVER TANGO
- 12 0/000.570.8007 DASHBOARD COVER SET TANGO
- 13 0/000.570.8103 FRONT COVER SET TANGO
- 14 0/000.570.8006 TANK SIDE COVER SET TANGO
- 15 0/000.570.8005 LOWER SIDE COVER SET TANGO
- 18 0/000.440.5000 NYLON WASHER
- 19 0/000.460.3031 SCREW ISO.7380 SPE.M6X20
- 20 0/000.460.3031 SCREW ISO.7380
- 21 0/000.460.1700 DARK BLUE SCREW DIN 6921 6X16 8,8
- 23 0/000.460.1700 SCREW DIN 6921
- 24 0/000.460.1700 SCREW DIN 6921
- 25 0/000.460.1700 SCREW DIN 6921
- 26 0/000.460.1703 SCREW DIN 7985
- 28 0/000.920.8003 CERRADURA SILLIN SOLA C/LLAVE
- 29 0/000.340.0169 SELF-LOCKING NUT DIN 985 M6
- 30 0/000.970.6050 SPARK PLUG SPANNER AND SCREWDRIVER SET
- 31 0/000.460.0756 BODYWORK STRIPPED SCREW
- 35 0/000.460.1700 DARK BLUE SCREW DIN 6921
- 37 0/000.200.8000 TANGO SHOCK ABSORBER COVER
- 43 0/000.460.0285 PINION PROTECTOR COVER FASTENING BOLT
- 44 0/000.440.0130 WASHER



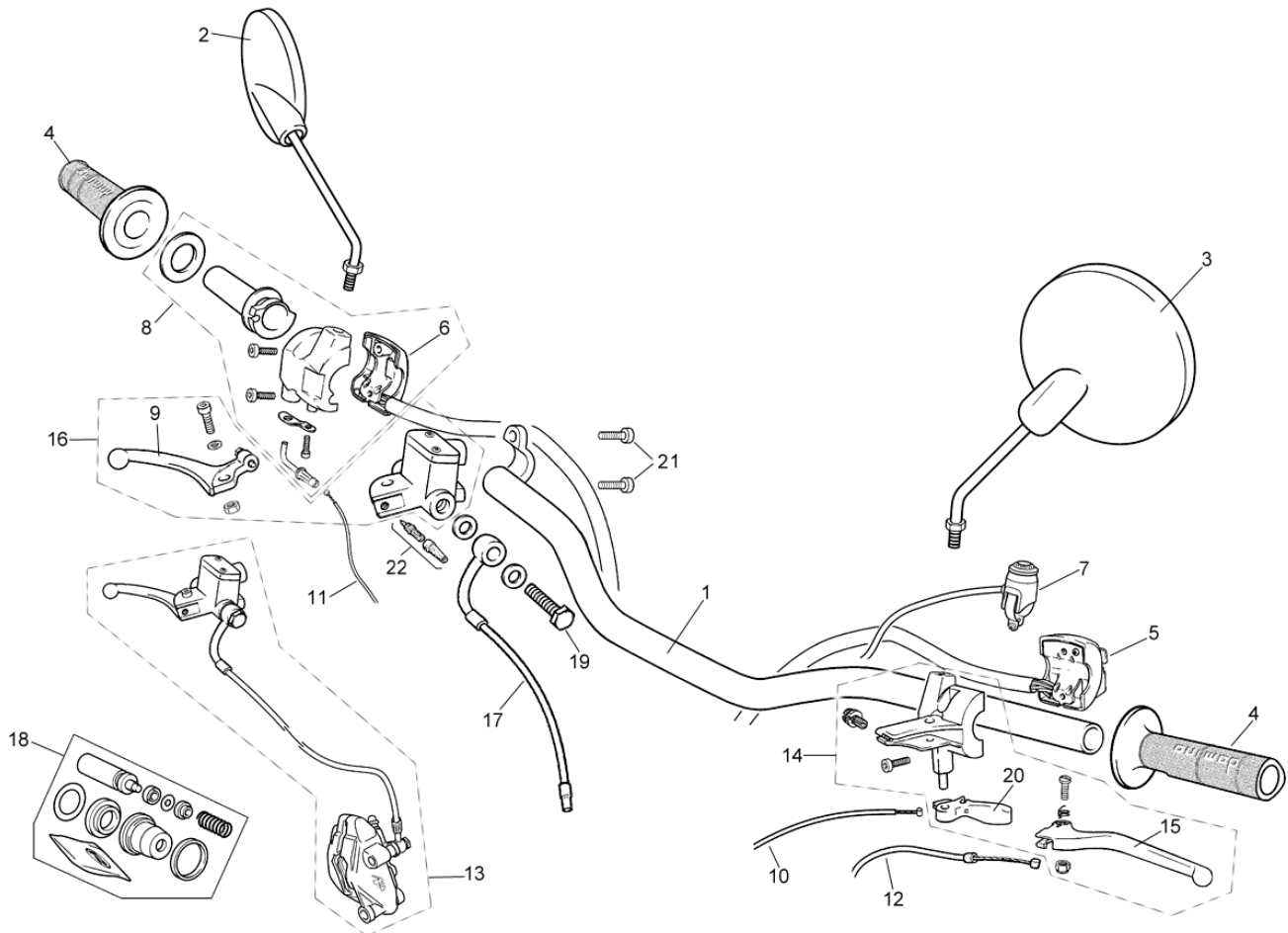
03 TANGO50\07d\DEPOSIT, ESCAPE TUBE AND RADIATOR

- 1 0/005.082.0334 ENGINE
- 2 0/000.290.8100 EXHAUST PIPE
- 3 0/000.680.8002 CLIP
- 4 0/000.260.0240 EXHAUST CONNECTOR
- 5 0/000.870.8102 SILENCER
- 6 0/000.350.5000 FILTER BOX COVER
- 7 0/000.910.5100 FILTER BOX BODY
- 8 0/001.070.6000 COMPLETE FILTER
- 9 0/000.370.0500 FUEL COCK
- 10 0/000.410.8013 TAPON GASOLINA C/LLAVE SOLO
- 10 0/001.060.8020 FUEL TANK CAP LOCKING W/KEY
- 11 0/000.030.8001 FUEL TANK TANGO
- 12 0/000.360.8102 GOMA SINEMBLOK TUBARRO TANGO
- 13 0/000.410.5102 TAPON RADIADOR
- 14 0/005.460.1070 EXHAUST SPRING
- 15 0/000.290.0643 TUBO COPOLAN 5x10x210
- 16 0/000.680.0535 ABRAZADERAS
- 17 0/000.290.0630 FUEL PIPE TANGO
- 19 0/000.460.1190 TORNILLO M6X12
- 20 0/000.580.8000 RADIADOR
- 21 0/000.640.8100 JUEGO MANGUITOS RADIADOR
- 22 0/000.220.8003 PROTECTOR RADIADOR
- 23 0/000.980.8103 SOPORTE FIJ. RADIADOR
- 24 0/000.680.0510 FUEL PIPE ELASTIC CLAMP
- 25 0/000.680.0520 FUEL COCK ELASTIC CLAMP
- 26 0/000.680.0550 ABRAZADERAS
- 27 0/000.340.0170 TUERCA M5
- 30 0/000.680.6000 CLAMP BIS D.48
- 31 0/000.360.8100 RUBBER JOINT CARBURETTOR FILTER BOX
- 36 0/005.430.5002 KICK START LEVER
- 37 0/005.430.0031 GEAR PEDAL
- 38 0/000.220.1000 PROTECTOR
- 41 0/000.660.2020 EXHAUST PLATE
- 44 0/000.660.5009 PLATINA TUBE ESCAPES WITH REDUCER
- 48 0/000.460.0480 SCREW M8 X 50
- 49 0/000.340.0180 (BOLSA 5 uds) TUERCA M8 AUTOBL/DIN6926/JS500
- 52 0/000.490.2000 (BOLSA 5 uds) JUNTA ESCAPE ESP.1.2 MOD/EUROF
- 53 0/000.640.0002 BI-DIRECTIONAL VALVE AIS
- 54 0/000.640.8101 VALVE SET
- 55 0/000.680.0534 LOCK. CLAMP
- 56 0/000.440.0131 LOCK. WASHER
- 57 0/000.460.0300 (BOLSA 5 uds) TILLO DIN 912 JS500 M6x16
- 58 0/000.220.0562 PROTECTION
- 59 0/000.460.1189 (BOLSA 5 uds) TILLO ESPECIAL PLAST.M6X9
- 60 0/000.340.6000 (BOLSA 5 uds) TUERCA RAPIDA FIJACION ADORNA ES
- 61 0/000.220.8001 EXHAUST LINE PROTECTION
- 62 0/000.030.8002 DEPOSITO ACEITE TANGO 50
- 64 0/000.410.3005 TAPON DEPOSITO ACEITE
- 65 0/000.410.8010 Sonda NIVEL ACEITE DEPOSITO TANGO 50
- 66 0/000.980.8014 SOPORTE VALVULA AIS



04 TANGO50\07d\SYSTEM ELECTRICS AND LIGHTS

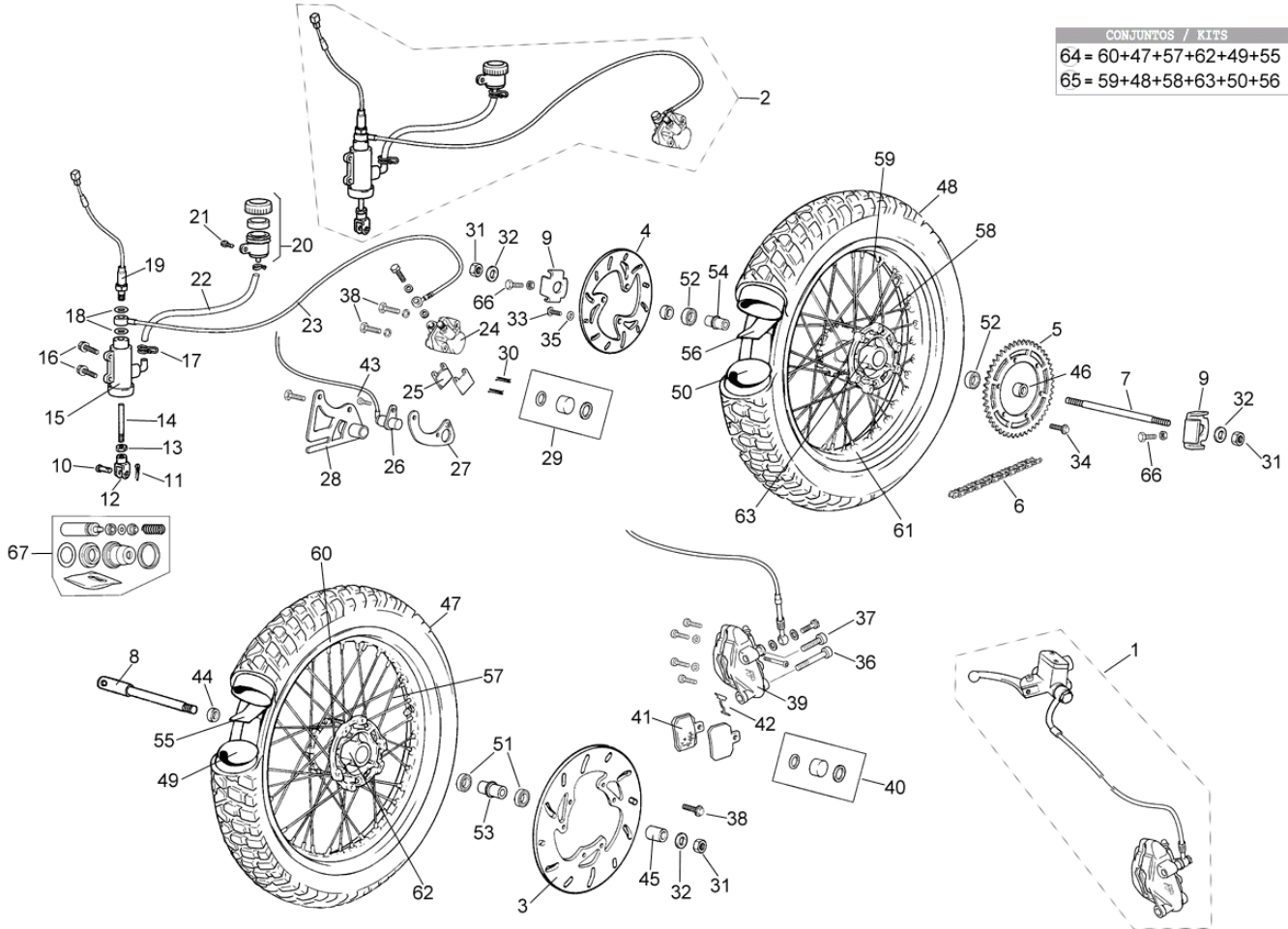
- 1 0/K01.000.2090 TABLIER DIGITAL MAE (SUBSTITUTION KIT)
- 2 0/000.160.8100 COMPLETE INSTALLATION
- 3 0/000.160.2090 DASHBOARD MAE SMX INSTALLATION
- 4 0/000.160.5003 TAIL LIGHT INSTALLATION
- 5 0/001.060.8020 IGNITION KEYS AND STEERING
- 6 0/000.140.8001 COMPLETE HEADLIGHT TANGO (FRAM.GT 700735)
- 7 0/000.850.7002 LAMP H4 60/55 W
- 8 0/000.150.2100 RIGHT OVAL INDICATOR
- 9 0/000.150.2200 LEFT OVAL INDICATOR
- 10 0/000.420.5000 COMPLETE HORN
- 11 0/000.460.0744 TORNILLO PILOTO TRASERO DIN 7982 O 4.2x50
- 12 0/000.630.0501 SINGLE LIGHT PLASTIC PROTECTION
- 13 0/000.850.0001 12V LED BULB (POSITION+BRAKE)
- 14 0/000.980.2000 TAIL LIGHT SUPPORT
- 15 0/000.150.0510 TAIL LIGHT COMP/EURO
- 18 0/000.720.0016 WATERTIGHT TRIP SWITCH
- 19 0/000.980.8005 ELECTRIC COMPONENTS FIXING SUPPORT
- 21 0/000.460.3031 SCREW DIN 7380 M6X20
- 22 0/000.460.1700 SCREW DIN 6921
- 23 0/000.460.1703 SCREW DIN 7985 M5X16
- 24 0/000.460.2003 ANTIMANIPULATION SCREW
- 25 0/000.460.6220 SCREW ISO 7380 M8X15
- 26 0/000.480.0710 WINDSHIELD RUBBER SEPARATOR
- 27 0/000.480.0711 SEPARATOR
- 28 0/005.070.6004 CDI COIL
- 29 0/005.070.2005 OUTER COIL DUCATI
- 30 0/000.360.0841 RELAY FIXING RUBBER
- 31 0/000.850.7004 SIDELIGHTS LAMP
- 33 0/005.110.6000 SPARK PLUG PIPETTE
- 34 0/005.070.4710 REGULATOR DUCATI
- 35 0/001.200.5031 INDICATOR SYSTEM
- 36 0/000.460.1700 SCREW DIN 6921 6X16
- 37 0/000.460.1703 SCREW DIN 7985 M5X16
- 38 0/005.070.6005 Sonda TEMPERATURA AIRE
- 50 0/000.980.5014 SOPORTE CTA.KMS.DIGITAL M.A.E.
- 100 0/000.260.7001 CASQUILLO SILENTBLOCK
- 101 0/000.360.0490 GOMA SILENTBLOCK
- 102 0/000.460.1185 TLLLO. ESP. ISO 7380 M6x20
- 103 0/000.600.0260 COMPLETE HEADLAMP BEAM UNIT



05 TANGO50\07d\MANILLARES AND CONTROLS

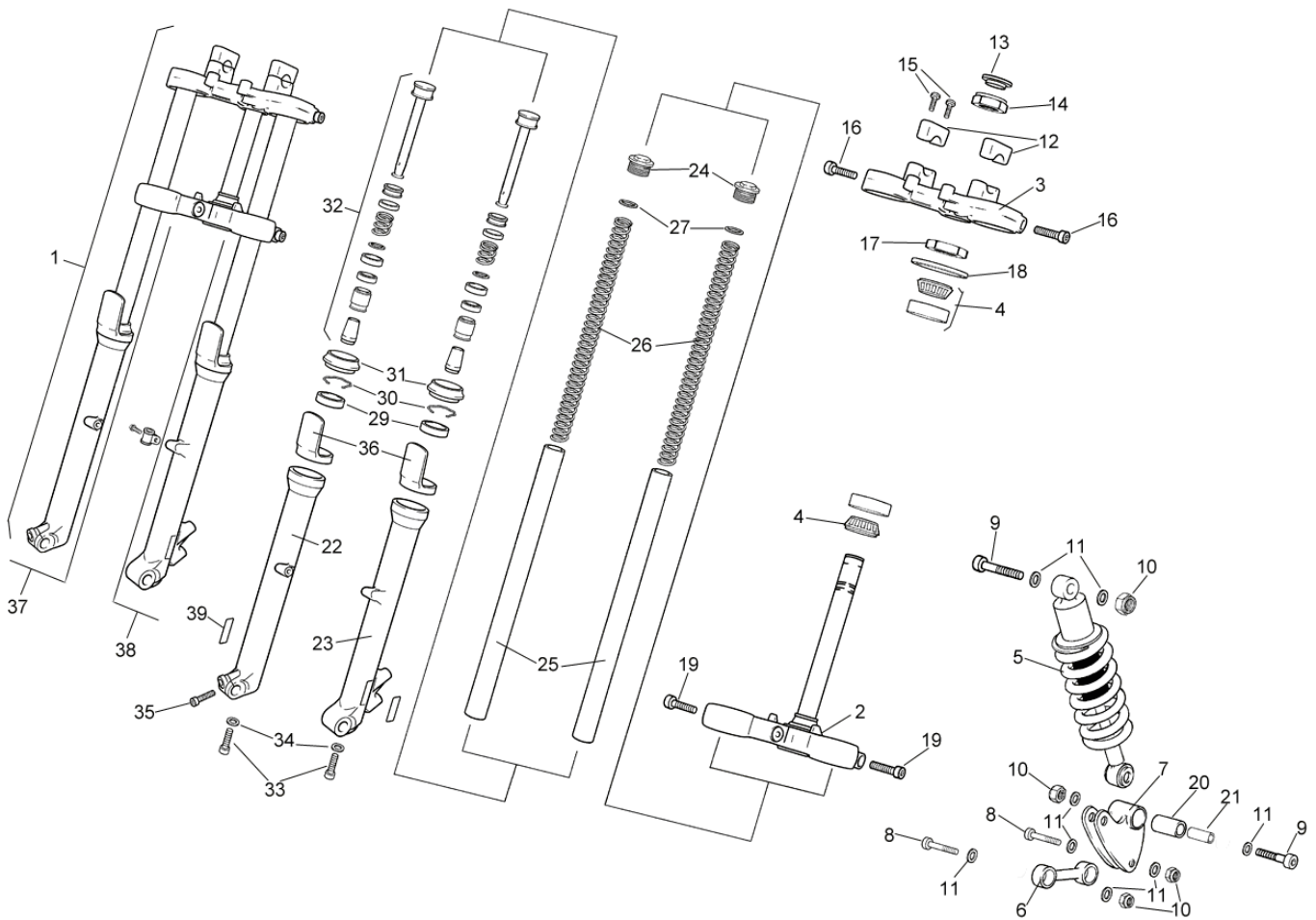
- 1 0/000.170.8000 HANDLEBAR TANGO
- 2 0/000.990.8000 RIGHT REAR-VIEW MIRROR
- 3 0/000.990.8001 LEFT REAR-VIEW MIRROR
- 4 0/000.530.5010 HANDLEBAR GRIPS
- 5 0/000.720.5000 LEFT SWITCH
- 6 0/000.350.5001 TAPA PUNO DE GAS
- 7 0/000.720.0016 TRIP SWITCH
- 8 0/000.530.5000 COMPLETE THROTTLE TWIST GRIP W/RUBBER
- 9 0/000.830.1001 SINGLE FRONT BRAKE LEVER
- 10 0/000.550.5002 STARTER CABLE
- 11 0/000.550.5005 THROTTLE CABLE
- 12 0/000.550.8001 CLUTCH CABLE
- 13 0/000.820.8000 COMPLETE FRONT F.D.ASSY
- 14 0/000.830.5001 COMPLETE CLUTCH LEVER
- 15 0/000.830.1002 SINGLE CLUTCH LEVER
- 16 0/000.820.0312 COMPLETE FRONT BRAKE PUMP
- 17 0/000.290.8006 SINGLE FRONT BRAKE TUBE
- 18 0/000.640.0451 PUMP REPAIR KIT
- 19 0/000.460.1300 BRAKE ROD SCREW
- 20 0/000.830.5110 SINGLE STARTER LEVER
- 22 0/000.720.0070 INTERRUPTOR STOP FRENO DEL.

CONJUNTOS / KITS
 64 = 60+47+57+62+49+55
 65 = 59+48+58+63+50+56



06 TANGO50\07d\WHEELS AND CONTROLS

- | | |
|---|--|
| 1 0/000.820.8000 COMPLETE FRONT BRAKE ASSY | 63 0/000.080.0113 ORANGE REAR ROLLER |
| 2 0/000.820.0761 COMPLETE REAR BRAKE ASSY | 63 0/000.080.0120 REAR ROLLER |
| 3 0/001.090.0200 FRONT BRAKE DISC J. JUAN 260. | 64 0/000.110.8000 COMPLETE FRONT WHEEL W/O PNEUMATIC TANGO |
| 4 0/001.090.0250 REAR BRAKE DISC J. JUAN 200. | 65 0/000.120.8000 COMPLETE REAR WHEEL TANGO |
| 5 0/000.500.5001 DRIVE PLATE TANGO Z=52 | 66 0/000.460.0672 SCREW DIN 6921 M8X35 |
| 6 0/001.050.0220 CHAIN 420 GSX 130P | 67 0/000.640.0470 KIT REPARACION BOMBA |
| 7 0/000.190.5200 REAR WHEEL AXLE | |
| 8 0/000.190.5100 FRONT WHEEL AXLE MRX | |
| 9 0/000.380.5100 WHEEL ADJUSTER | |
| 10 0/000.840.0090 AXLE CONTROL PIN | |
| 11 0/000.840.0060 SECURING PIN | |
| 12 0/000.130.0150 BRAKE LEVER FORK | |
| 13 0/000.340.0130 NUT DIN 934 M6 | |
| 14 0/000.240.8000 PUMP CONTROL ROD | |
| 15 0/000.820.0310 REAR BRAKE PUMP | |
| 16 0/000.460.0610 SCREW DIN 6921 6X20 8,8 | |
| 17 0/000.680.0500 CLAMP | |
| 18 0/000.440.1040 JOINT WASHER BRAKE PUMP | |
| 19 0/000.720.0073 STOP SWITCH REAR BRAKE | |
| 20 0/000.030.0170 BRAKE FLUID TANK | |
| 21 0/000.460.1700 SCREW DIN 6921 6X16 | |
| 22 0/000.290.0243 BRAKE FLUID TUBE | |
| 23 0/000.290.5202 REAR BRAKE ROD | |
| 24 0/000.860.0012 SINGLE REAR BRAKE CLIP | |
| 25 0/000.930.0060 REAR BRAKE PADS | |
| 26 0/001.010.7008 ELECTRIC SENSOR RETURN | |
| 27 0/000.980.5015 SENSOR SUPPORT CTA KM | |
| 28 0/000.980.0750 REAR BRAKE CLIP SUPPORT | |
| 29 0/000.640.0420 REAR BRAKE CLIP REPAIR KIT | |
| 30 0/000.640.0110 PAD CLIPS | |
| 31 0/000.340.0300 NUT DIN 934 M14 | |
| 32 0/000.440.0123 WASHER DIN 125A M15 | |
| 33 0/000.460.0670 SCREW DIN 933 M8X25 | |
| 34 0/000.460.0672 SCREW DIN 6921 M8X35 | |
| 35 0/000.440.0180 GEAR WASHER DIN 9021/A M8 | |
| 36 0/000.460.0403 SCREW DIN 912 M10X60 8,8 | |
| 37 0/000.460.0400 SCREW DIN 910 M10X40 8,8 | |
| 38 0/000.460.0470 SCREWS M8X40 | |
| 38 0/000.460.0600 SCREW DIN 6921 6X16 8,8 | |
| 39 0/000.860.8002 FRONT BRAKE CLIP | |
| 40 0/000.640.0453 KIT REPARACION PINZA F.D. | |
| 41 0/000.930.8000 FRONT DISC PADS TANGO | |
| 42 0/000.640.7212 CUTO. KIT. MUELLE F.D. | |
| 43 0/000.460.1704 SCREW DIN 7985 M6X10 | |
| 44 0/000.480.5011 SEPARATOR 25X5X20 | |
| 45 0/000.480.1543 SEPARATOR 25X5X12 | |
| 46 0/000.480.1544 SEPARATOR 25X5X15 | |
| 47 0/000.510.6060 FRONT TYRE 90/100-19 M/C | |
| 48 0/000.510.6160 REAR TYRE 120/90-16 M/C | |
| 49 0/000.520.6060 FRONT INNER TUBE | |
| 50 0/000.520.6160 REAR INNER TUBE | |
| 51 0/000.960.0050 WHEEL BALL BEARING 6202 | |
| 52 0/000.960.0050 WHEEL BALL BEARING 6202 | |
| 53 0/000.480.5006 BALL BEARING SEPARATOR | |
| 54 0/000.480.5007 WHEEL BALL BEARING SEPARATOR | |
| 55 0/000.220.0070 FRONT RIM INNER TUBE PROTECTION | |
| 56 0/000.220.0020 REAR INNER TUBE PROTECTION | |
| 57 0/000.540.8000 FRONT SPOKES W/NUT | |
| 58 0/000.540.8010 REAR SPOKES W/NUT | |
| 59 0/000.540.8020 REAR WHEEL SPOKES W/NUT | |
| 60 0/000.230.6060 FRONT RIM 19X1,85 | |
| 61 0/000.230.6160 REAR RIM 16X2,5 | |
| 62 0/000.070.0112 FRONT ROLLER | |
| 62 0/000.070.0112 FRONT ROLLER | |
| 62 0/000.070.0113 ORANGE FRONT ROLLER | |
| 63 0/000.080.0120 REAR ROLLER | |



07 TANGO50\07d\SUSPENSION

- 1 0/000.130.8000 COMPLETE FORK TANGO
- 2 0/000.660.8000 LOWER FORK PLATE
- 3 0/000.660.8010 UPPER FORK PLATE
- 4 0/000.960.0200 STEERING BEARING
- 5 0/000.180.8000 REAR SHOCK ABSORBER TANGO
- 6 0/000.770.0104 SUSPENSION SMALL CONNECTING ROD
- 7 0/000.980.0630 SMALL CONNECTING ROD SUPPORT
- 8 0/000.460.0402 SCREW DIN 912 M10X50 8,8
- 9 0/000.460.0403 SCREW DIN 912 M10X60
- 10 0/000.340.0182 NUT DIN 985 M10
- 11 0/000.440.0110 WASHER DIN 125/A M10
- 12 0/000.350.6003 HANDLEBAR BRIDGE
- 13 0/000.410.6001 UPPER PIVOT
- 14 0/000.340.6002 FORK UPPER NUT
- 15 0/000.460.0352 SCREW M8X40
- 16 0/000.460.0350 SECURING SCREW UPPER PLATE
- 17 0/000.340.0550 LOWER STEERING PIVOT
- 18 0/000.200.7000 STEERING DUSTGUARD
- 19 0/000.460.0350 SECURING SCREW LOWER PLATE
- 20 0/000.360.0370 SINEMBLOCK SMALL CONNECTING ROD SUPPORT
- 21 0/000.480.1550 SMALL CONNECTING ROD RING NUT
- 22 0/000.880.8010 SINGLE RIGHT LEG
- 23 0/000.880.8000 SINGLE LEFT LEG
- 24 0/000.410.8001 BAR UPPER CAP
- 25 0/000.290.8011 FORK UPPER TUBE
- 26 0/000.470.8010 FORK SPRING
- 27 0/000.440.5101 SPRING WASHER
- 29 0/000.890.5002 FORK SEAL
- 30 0/000.300.5001 FORK SEAL CLIP
- 31 0/000.890.5003 SCRAPER DUSTGUARD
- 32 0/000.290.8010 COMPLETE HYDRAULIC TUBE
- 33 0/000.460.0345 SCREW M8X25
- 34 0/000.440.0180 WASHER
- 35 0/000.460.0352 SCREW M8X40
- 36 0/000.220.8010 FORK TUBE RUBBER PROTECTION
- 37 0/000.640.8010 RIGHT HALF-SUSPENSION ASSY
- 38 0/000.640.8011 LEFT HALF-SUSPENSION ASSY
- 39 0/000.390.0004 DECAL LOGO PAIOLI FORK