

# PARTS CATALOGUE



ATV

LC90AD(PL)

MXU 450i (Utility FI )\_On Road



Release Date : 2015/07/23  
Print Date : 2019/03/12

## ABOUT THIS PARTS LIST

- This parts list is compiled all service parts for model LC90AD(PL).
- Any difference between color chart and motorcycle will be revised according to motorcycle.
- The Mark:
  1. Marking "\*\*\*" must add color code in the end before ordering parts.
  2. Marking "#" are parts with modification, Please find the details from e-Parts system.
- When modification or additions to this parts list are made a revised edition at an appropriate time.



# CONTENTS

● ABOUT THIS PARTS LIST .....	1
● COLOR CHART OF LC90AD(PL) .....	3
● CONTENTS-ENGINE GROUP .....	9
● CONTENTS-FRAME GROUP .....	11
● ENGINE PARTS LIST .....	14
● FRAME PARTS LIST .....	70
● PART NO. INDEX .....	152

NO	MODEL			COLOR CHART OF LC90AD(PL)			
	PHOTO NO			NO. 1	NO. 2	NO. 3	NO. 4
	BASIC COLOR			Deep Blue	Red	Deep Green	White
	CODE			Deep Blue	Red	Deep Green	White
	PARTS NAME	PARTS NO.	VERSION	PB246SA	RR338SA	GG345SA	NH195SA
1	COVER TANK	17700-LKK7-E00	2	CHR	E4R	GWR	HGR
2	CAP TANK COVER	17710-LKK7-E00	1				
3	COVER BATTERY	50326-LFA5-E00	2				
4	COVER HANDLE	53205-LKK7-E00	1				
5	COVER HANDLE	53205-LKK7-EV0	1				
6	FENDER FRONT	60100-LFA5-E00	1				
7	FENDER REAR	80100-LKK7-E00	1				
8	RIM COMP WHEEL	44705-LFA5-900	4	MAS			
9	RIM COMP WHEEL	44705-LKK7-E00	2				
10	LEVER COMP BRAKE	46500-LGN5-E00	2	MAS			
11	CUSHION ASSY FR	51400-PWB1-900	6				
12	CUSHION ASSY RR	52400-PWB1-900	6				
13	A-ARM FRONT-UPPER-	53400-PRB1-900	3				
14	A-ARM FRONT-UPPER-	53400-PWB1-900	13				
15	A-ARM FRONT LOWER	53450-PWB1-900	13				
16	A-ARM FRONT-UPPER-	53500-PRB1-900	3				
17	A-ARM. FRONT-UPPER-	53500-PWB1-900	13				
18	A-ARM FRONT LOWER	53550-PWB1-900	13				
19	CONTROL ARM RH	54400-PRB1-900	1				
20	CONTROL ARM RH	54400-PWB1-E00	2	MBS			
21	A-ARM RH LOWER	54450-LFA5-E00	1				
22	CONTROL ARM LH	54500-PRB1-900	1				
23	CONTROL ARM LH	54500-PWB1-E00	2				
24	A-ARM LH LOWER	54550-LFA5-E00	1				
25	COVER WIRE STAY	16059-LDB5-E00	4				
DATE OF STARTING-SALES				N1R			
DATE OF END-SALES							

NO	MODEL			COLOR CHART OF LC90AD(PL)			
	PHOTO NO			NO. 5	NO. 6		
	BASIC COLOR			Black	Yellow Ochre		
	CODE			Black	Yellow Ochre		
	PARTS NAME	PARTS NO.	VERSION	NH001SA	YR160SA		
1	COVER TANK	17700-LKK7-E00	2	N1R	YSR		
2	CAP TANK COVER	17710-LKK7-E00	1				
3	COVER BATTERY	50326-LFA5-E00	2				
4	COVER HANDLE	53205-LKK7-E00	1				
5	COVER HANDLE	53205-LKK7-EV0	1				
6	FENDER FRONT	60100-LFA5-E00	1				
7	FENDER REAR	80100-LKK7-E00	1				
8	RIM COMP WHEEL	44705-LFA5-900	4	MAS			
9	RIM COMP WHEEL	44705-LKK7-E00	2				
10	LEVER COMP BRAKE	46500-LGN5-E00	2				
11	CUSHION ASSY FR	51400-PWB1-900	6				
12	CUSHION ASSY RR	52400-PWB1-900	6				
13	A-ARM FRONT-UPPER-	53400-PRB1-900	3				
14	A-ARM FRONT-UPPER-	53400-PWB1-900	13				
15	A-ARM FRONT LOWER	53450-PWB1-900	13				
16	A-ARM FRONT-UPPER-	53500-PRB1-900	3				
17	A-ARM. FRONT-UPPER-	53500-PWB1-900	13				
18	A-ARM FRONT LOWER	53550-PWB1-900	13				
19	CONTROL ARM RH	54400-PRB1-900	1				
20	CONTROL ARM RH	54400-PWB1-E00	2				
21	A-ARM RH LOWER	54450-LFA5-E00	1				
22	CONTROL ARM LH	54500-PRB1-900	1				
23	CONTROL ARM LH	54500-PWB1-E00	2				
24	A-ARM LH LOWER	54550-LFA5-E00	1				
25	COVER WIRE STAY	16059-LDB5-E00	4	N1R			
DATE OF STARTING-SALES							
DATE OF END-SALES							

NO	MODEL			COLOR CHART OF LC90AD(PL)			
	PHOTO NO			NO. 1	NO. 2	NO. 3	NO. 4
	BASIC COLOR			Deep Blue	Red	Deep Green	White
	CODE			Deep Blue	Red	Deep Green	White
	PARTS NAME	PARTS NO.	VERSION	PB246SA	RR338SA	GG345SA	NH195SA
26	SHIELD HEAT	17560-LGC7-E00	1	N1R			
27	TRAY ELECTRICAL	31605-PRB2-900	1				
28	CASE.BATTERY	50325-LGC7-E00	3				
29	COVER BATTERY	50326-LGC7-E00	2				
30	PANEL.SPLASH RIGHT	60130-LGC7-E00	2				
31	PANEL SPLASH LEFT	60140-LGC7-E00	1				
32	COVER WATERPROOF	60150-LFA5-E01	1				
33	PROTECTOR HOSE	60160-LGC7-E00	1				
34	MUDGUARD FRONT	60200-LFA5-E00	1				
35	PLATE SKID	64300-PWB1-910	1				
36	COVER FRONT	64301-LFA5-E00	2				
37	BUMPER FRONT	64302-LFA5-E01	1				
38	MUDGUARD R FLOOR	80121-LFA5-E01	1				
39	MUDGUARD L FLOOR	80122-LGC3-E00	1				
40	COVER OIL LEVEL	80125-LGC3-E00	2				
41	SHIELD REAR	80130-PWB1-E00	2				
42	COVER R SIDE	83500-LKK7-E76	1				
43	CAP SIDE COVER	83505-LKK7-E00	2				
44	COVER L SIDE	83600-LGC3-E00	1				
45	CALIPER ASSY REAR	43100-LFA5-E00	3				
46	SEAT ASSY	77200-LFA5-E00	3	T01			
47	EMB K-LOGO 28.5mm-	86102-LDB5-900	3				
48	EMB GEAR REVERAL	86302-LFA5-E00	2				
49	LABEL TIRE ON ROAD	87505-LDB5-E01	1				
50	WARNING MAXIMUM	87514-LFA5-E02	2				
DATE OF STARTING-SALES							
DATE OF END-SALES							

NO	MODEL			COLOR CHART OF LC90AD(PL)			
	PHOTO NO			NO. 5	NO. 6		
	BASIC COLOR			Black	Yellow Ochre		
	CODE			Black	Yellow Ochre		
	PARTS NAME	PARTS NO.	VERSION	NH001SA	YR160SA		
26	SHIELD HEAT	17560-LGC7-E00	1	N1R			
27	TRAY ELECTRICAL	31605-PRB2-900	1				
28	CASE.BATTERY	50325-LGC7-E00	3				
29	COVER BATTERY	50326-LGC7-E00	2				
30	PANEL.SPLASH RIGHT	60130-LGC7-E00	2				
31	PANEL SPLASH LEFT	60140-LGC7-E00	1				
32	COVER WATERPROOF	60150-LFA5-E01	1				
33	PROTECTOR HOSE	60160-LGC7-E00	1				
34	MUDGUARD FRONT	60200-LFA5-E00	1				
35	PLATE SKID	64300-PWB1-910	1				
36	COVER FRONT	64301-LFA5-E00	2				
37	BUMPER FRONT	64302-LFA5-E01	1				
38	MUDGUARD R FLOOR	80121-LFA5-E01	1				
39	MUDGUARD L FLOOR	80122-LGC3-E00	1				
40	COVER OIL LEVEL	80125-LGC3-E00	2				
41	SHIELD REAR	80130-PWB1-E00	2				
42	COVER R SIDE	83500-LKK7-E76	1				
43	CAP SIDE COVER	83505-LKK7-E00	2				
44	COVER L SIDE	83600-LGC3-E00	1				
45	CALIPER ASSY REAR	43100-LFA5-E00	3				
46	SEAT ASSY	77200-LFA5-E00	3	T01			
47	EMB K-LOGO 28.5mm-	86102-LDB5-900	3				
48	EMB GEAR REVERAL	86302-LFA5-E00	2				
49	LABEL TIRE ON ROAD	87505-LDB5-E01	1				
50	WARNING MAXIMUM	87514-LFA5-E02	2				
	DATE OF STARTING-SALES						
	DATE OF END-SALES						



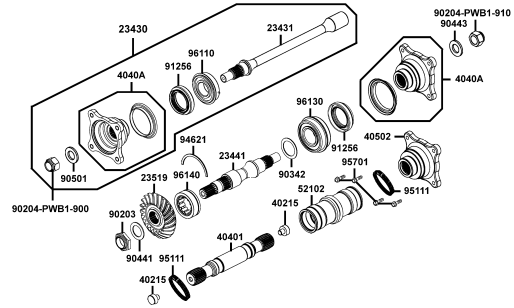




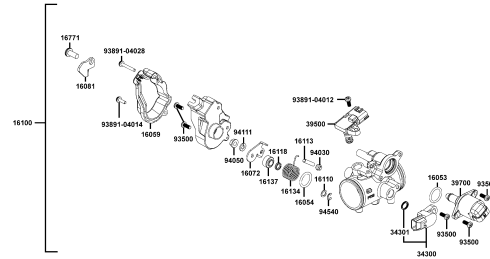


## CONTENTS - ENGINE GROUP

### E10 Shaft Drive Front



### E11 Throttle Body Assy



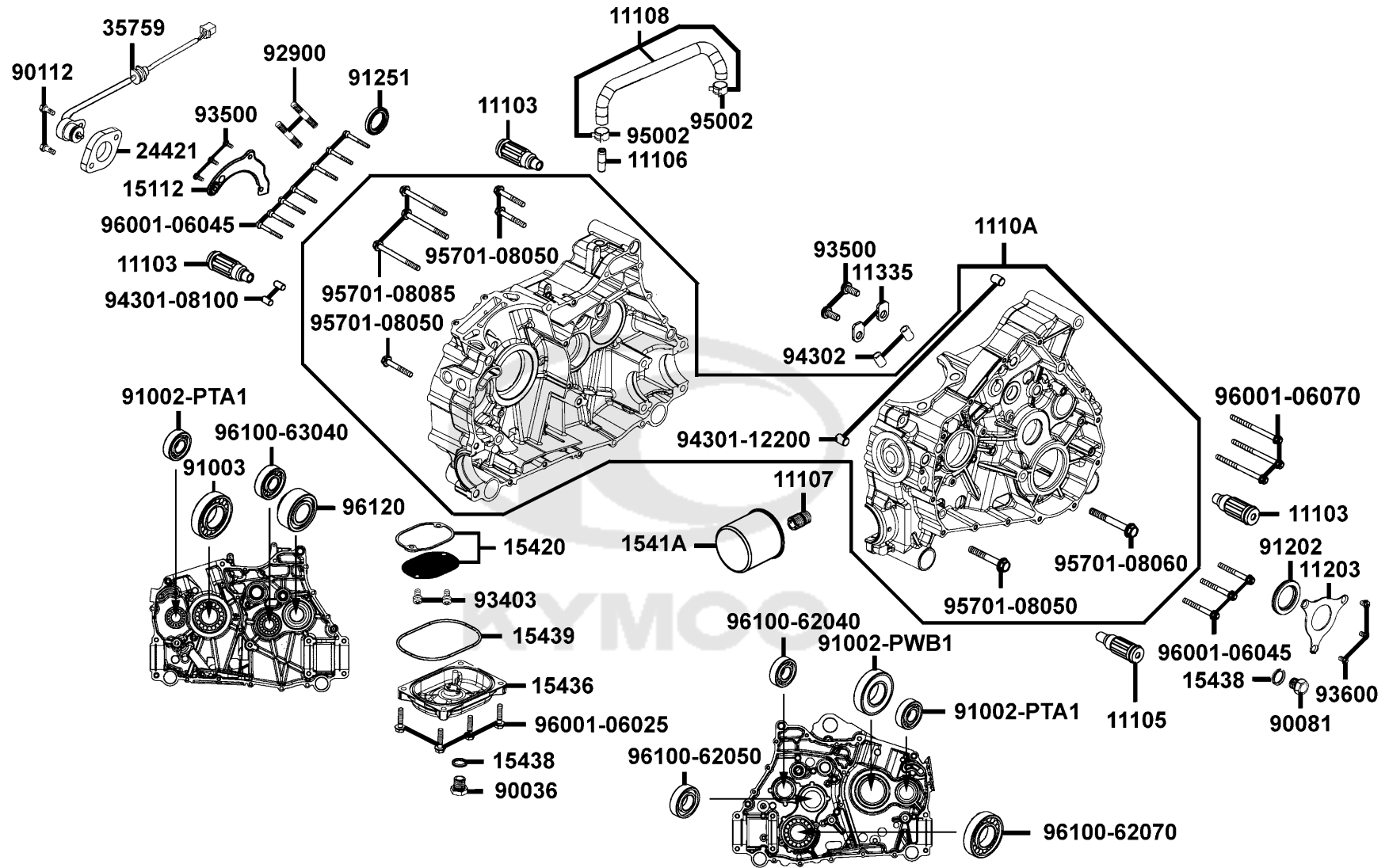






E01

# Right Crank Case

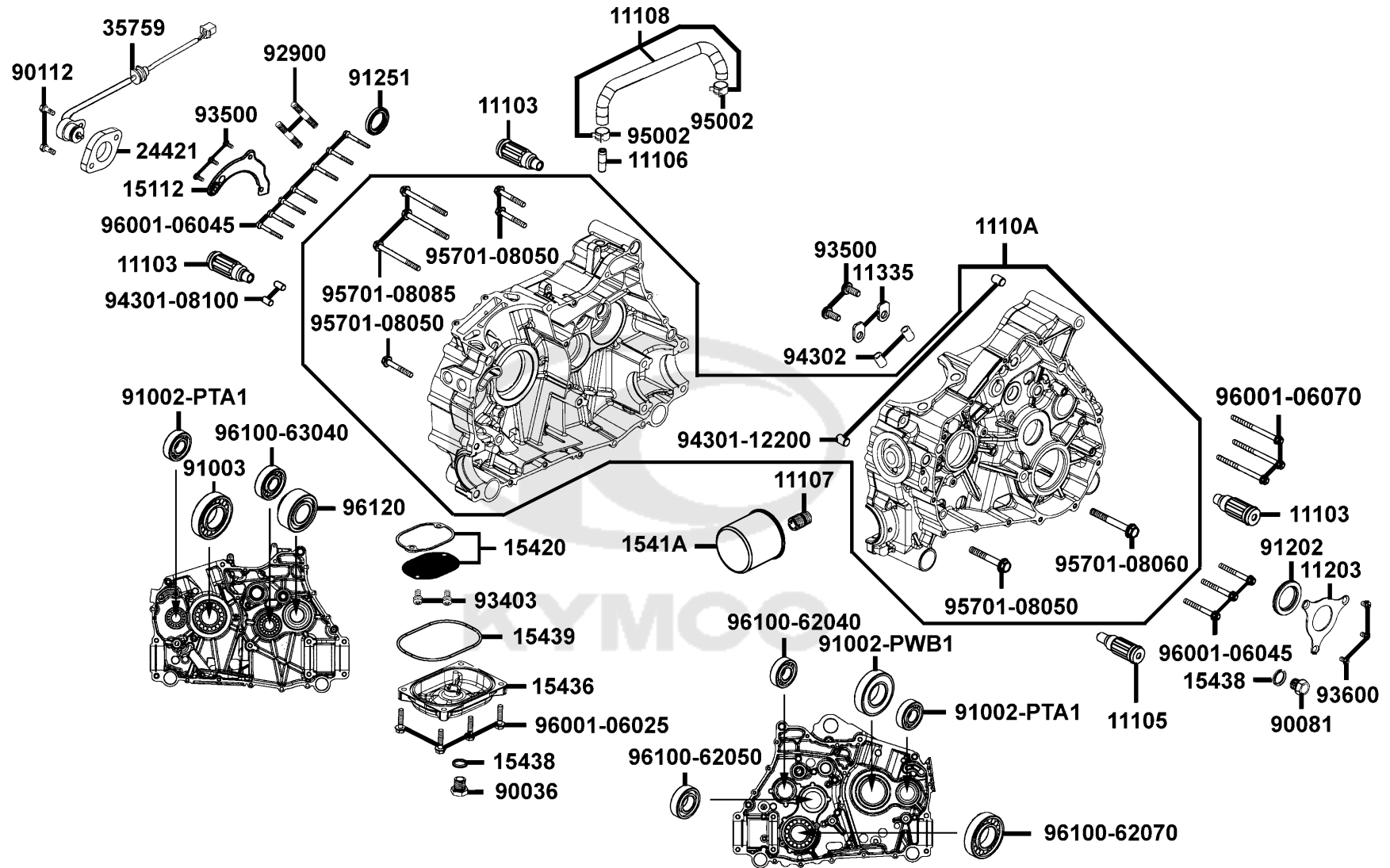


Sales mark	Ref no	Part no	Description	Reg description	Regd no	E01
	11103	11103-PTA1-800	RUB BUSH ENG HANGER	RUB BUSH ENG HANGER	3	
	11105	11105-PTA1-800	LONG RUB BUSH ENG HANGER	LONG RUB BUSH ENG HANGER	1	
	11106	11106-PWB1-900	PIPE BREATHER	PIPE BREATHER	1	
	11107	11107-PWB1-900	PIPE OIL	PIPE OIL	1	
	11108	11108-PWB1-900	HOSE CRANK CASE VENT	HOSE CRANK CASE VENT	1	
	1110A	1110A-PTA1-900	CASE R/L ASSY	CASE R/L ASSY	1	
	11203	11203-PWB1-900	RETAINER CRANKSHAFT OIL SEAL	RETAINER CRANKSHAFT OIL SEAL	1	
	11335	11335-PWB1-900	RETAINER BEARING	RETAINER BEARING	2	
	15112	15112-PWB1-900	PLATE OIL GUIDE RIGHT	PLATE OIL GUIDE RIGHT	1	
	1541A	1541A-PWB1-900	ELEMENT COMP OIL FILTER	ELEMENT COMP OIL FILTER	1	
	15420	15420-PWB1-900	STRAINER OIL	STRAINER OIL	1	
	15436	15436-PWB1-900	CAP OIL STRAINER	CAP OIL STRAINER	1	
	15438	15438-PWB1-900	GASKET METAL COMPRESSION	GASKET METAL COMPRESSION	2	
	15439	15439-PWB1-910	GASKET MOLDED-OIL STRAINER CAP	GASKET MOLDED-OIL STRAINER CAP	1	
	24421	24421-PWB1-900	SPACER SHIFT SENSOR	SPACER SHIFT SENSOR	1	
	35759	35759-PWB1-900	SW ASSY GEAR CHANGE	SW ASSY GEAR CHANGE	1	
	90036	90036-PWB1-900	BOLT PLUG DRAIN SPECIAL 14X13.5 (C)	BOLT PLUG DRAIN SPECIAL 14X13.5 (C)	1	
	90081	90081-PWB1-900	PLUG CASE 12X14	PLUG CASE 12X14	1	
	90112	90112-KRDR-900	BOLT FLANGE 5*22	BOLT FLANGE 5*22	2	
	91002-PTA1	91002-PTA1-900	BRG BALL RADIAL ESB204JR2C3	BRG BALL RADIAL ESB204JR2C3	2	



E01

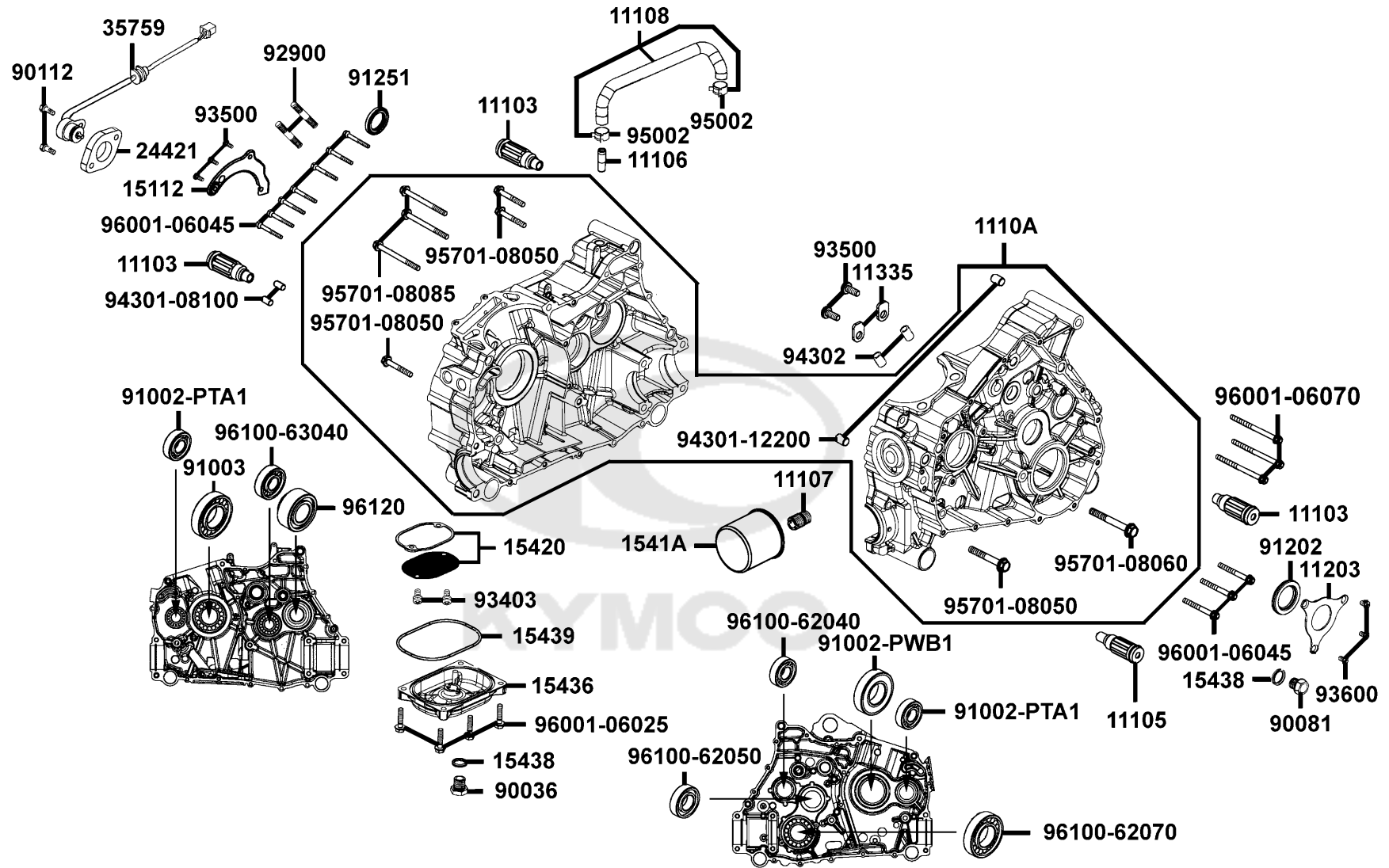
# Right Crank Case



Sales mark	Ref no	Part no	Description	Reg description	Regd no	E01
91002-PWB1	91002-PWB1	91002-PWB1-90A	BRG BALL RADIL 6207LUAC3	BRG BALL RADIL 6207LUAC3	1	
91003	91003-PWB1	91003-PWB1-900	BRG RADIAL BALL 6207-9C3	BRG RADIAL BALL 6207-9C3	1	
91202	91202-PWB1	91202-PWB1-900	OIL SEAL 34X52X6	OIL SEAL 34X52X6	1	
91251	91251-PWB1	91251-PWB1-900	OIL SEAL 30X44X7	OIL SEAL 30X44X7	1	
92900	92900-06040	92900-06040-0E	BOLT STUD 6*40	BOLT STUD 6*40	2	
93403	93403-05012	93403-05012-06	BOLT-WASH 5X12	BOLT-WASH 5X12	1	
93500	93500-PWB1	93500-PWB1-900	SCREW PAN 6X14 (C)	SCREW PAN 6X14 (C)	5	
93600	93600-PWB1	93600-PWB1-900	SCREW FLAT 6X16	SCREW FLAT 6X16	3	
94301-08100	94301-08100	94301-08100	DOWEL PIN 8*10	DOWEL PIN 8*10	2	
94301-12200	94301-12200	94301-12200	DOWEL PIN 12*20	DOWEL PIN 12*20	2	
94302	94302-KKE5	94302-KKE5-E00	D12 DOWEL PIN R/L CASE	D12 DOWEL PIN R/L CASE	2	
95002	95002-KKD6	95002-KKD6-E05	CLAMP D18 TUBE	CLAMP D18 TUBE	2	
95701-08050	95701-08050	95701-08050-06	BOLT FLANGE 8*50	BOLT FLANGE 8*50	1	
95701-08060	95701-08060	95701-08060-06	BOLT FLANGE 8X60	BOLT FLANGE 8X60	1	
95701-08085	95701-08085	95701-08085-06	BOLT FLANGE 8X85	BOLT FLANGE 8X85	1	
96001-06025	96001-06025	96001-06025-06	BOLT FLANGE SH 6*25	BOLT FLANGE SH 6*25	1	
96001-06045	96001-06045	96001-06045-06	BOLT FLANGE 6X45	BOLT FLANGE 6X45	1	
96001-06070	96001-06070	96001-06070-06	BOLT FLANGE SH 6*70	BOLT FLANGE SH 6*70	1	
96100-62040	96100-62040	96100-62040-00	BEARING BALL RADIAL 6204	BEARING BALL RADIAL 6204	1	
96100-62050	96100-62050	96100-62050-00	BEARING BALL RADIAL 6205	BEARING BALL RADIAL 6205	1	

E01

# Right Crank Case



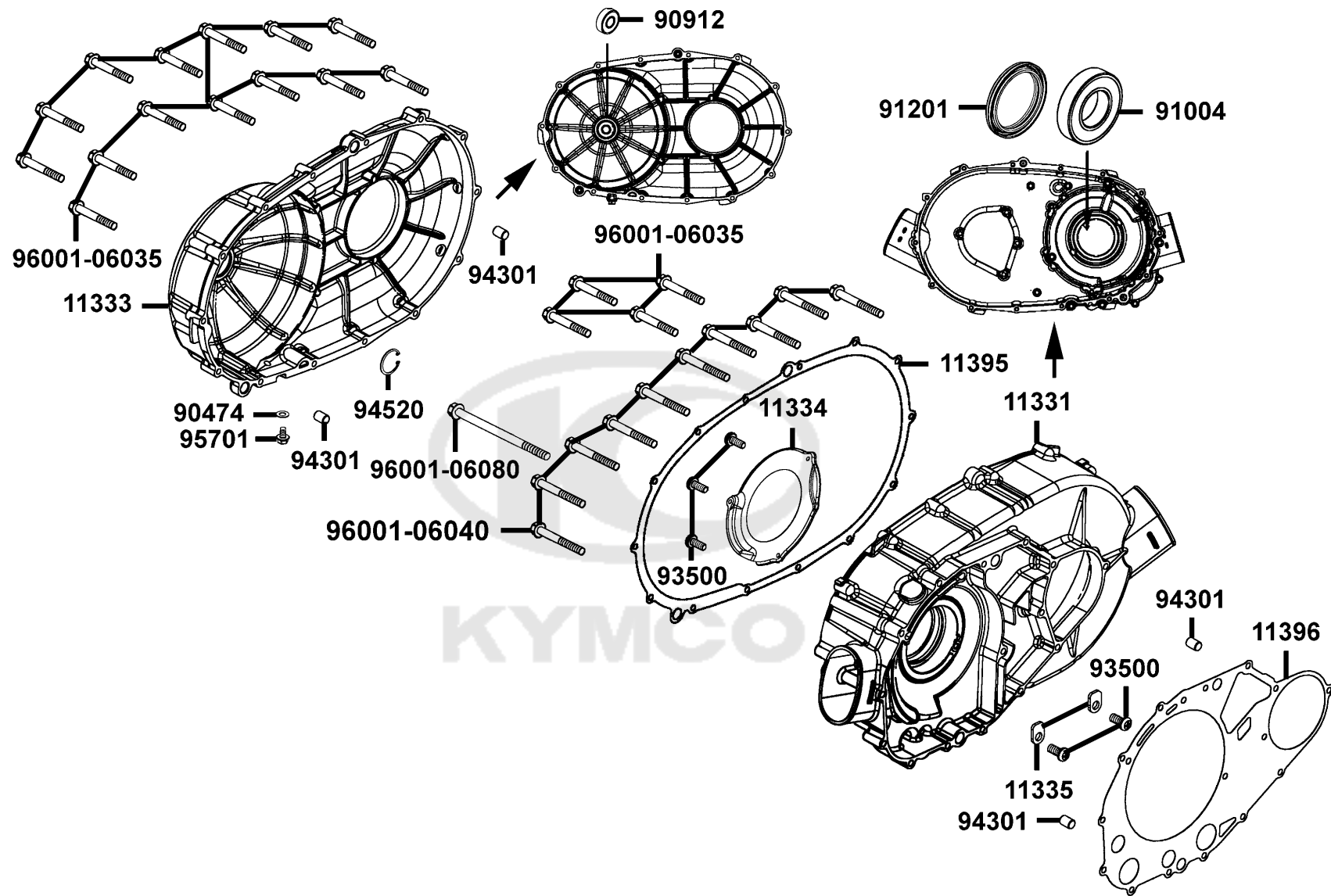
Sales mark	Ref no	Part no	Description	Reg description	Regd no	<b>E01</b>
------------	--------	---------	-------------	-----------------	---------	------------

96100-62070	96100-62070-00	96100-62070-00	BRG RADIAL BALL 6207	BRG RADIAL BALL 6207	1	
96100-63040	96100-63040-00	96100-63040-00	BRG BALL RADIAL 6304	BRG BALL RADIAL 6304	1	
96120	96120-PWB1-900	96120-PWB1-900	BEARING BALL D/R 30X62X23.8	BEARING BALL D/R 30X62X23.8	1	



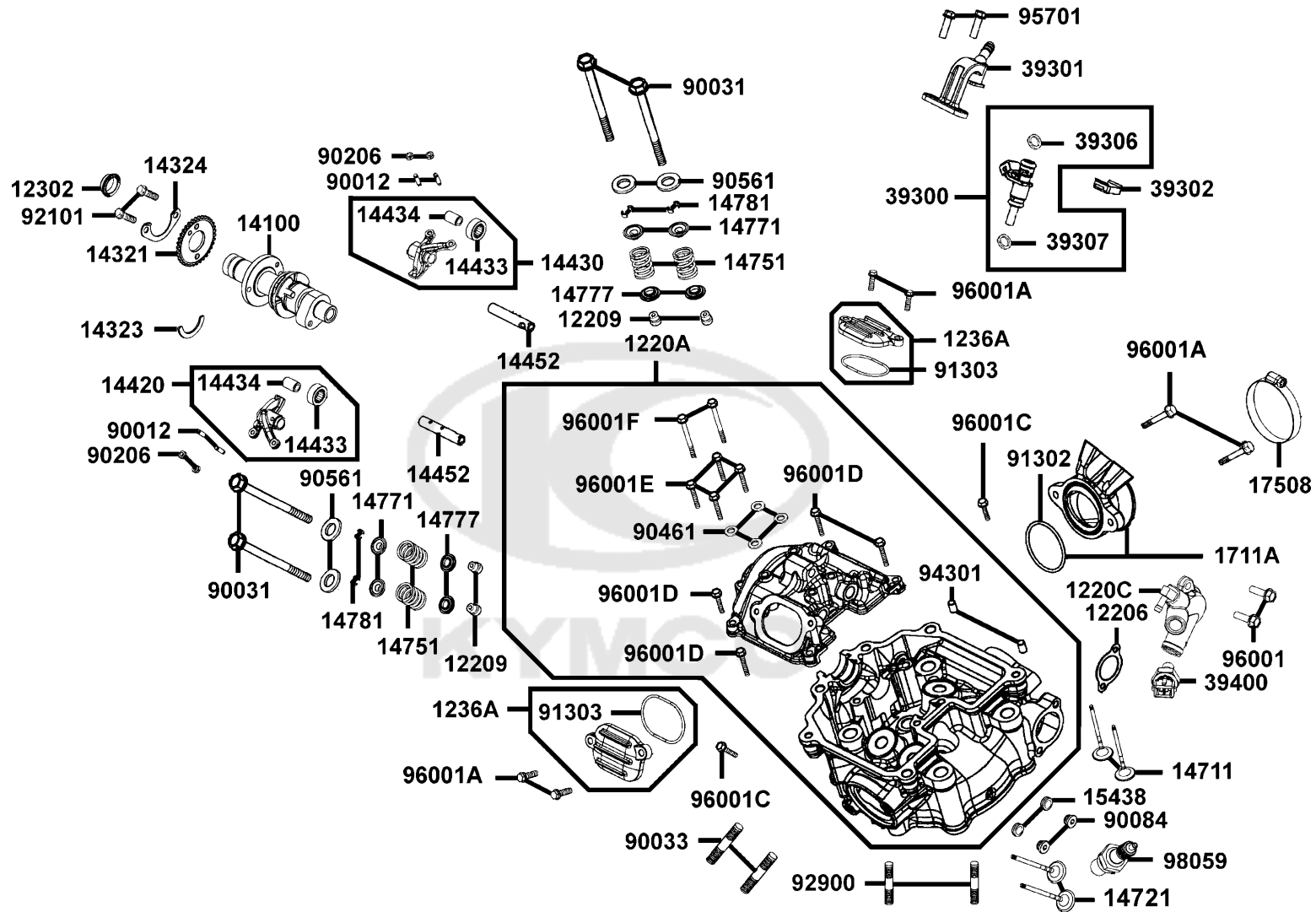
E02

### Cover Right Crank Case



Sales mark	Ref no	Part no	Description	Reg description	Regd no	<b>E02</b>
11331		11331-PWB1-900	COVER R CRANK CASE	COVER R CRANK CASE	1	
11333		11333-LFA5-900	COVER R COVER	COVER R COVER	1	
11334		11334-PWB1-900	PLATE AIR INTAKE	PLATE AIR INTAKE	1	
11335		11335-PWB1-900	RETAINER BEARING	RETAINER BEARING	2	
11395		11395-PWB1-900	GASKET R COVER	GASKET R COVER	1	
11396		11396-PWB1-900	GASKET R COVER	GASKET R COVER	1	
90474		90474-3C33-001	WASHER 8MM	WASHER 8MM	1	
90912		90912-KFLF-00A	BEARING 6201 LLU	BEARING 6201 LLU	1	
91004		91004-PWB1-90D	BRG BALL RADIL 6208RUEF-1	BRG BALL RADIL 6208RUEF-1	1	
91201		91201-PWB1-90C	OIL SEAL 54X70X8	OIL SEAL 54X70X8	1	
93500		93500-PWB1-900	SCREW PAN 6X14 (C)	SCREW PAN 6X14 (C)	5	
94301		94301-12200	DOWEL PIN 12*20	DOWEL PIN 12*20	4	
94520		94520-32180	CIR CLIP IN 32	CIR CLIP IN 32	1	
95701		95701-08012-06	BOLT FLANGE 8*12	BOLT FLANGE 8*12	1	
96001-06035		96001-06035-06	BOLT FLANGE SH 6*35	BOLT FLANGE 6*35	1	
96001-06040		96001-06040-06	BOLT FLANGE SH 6*40	BOLT FLANGE SH 6*40	1	
96001-06080		96001-06080-06	BOLT FLANGE SH 6X80	BOLT FLANGE SH 6X80	1	

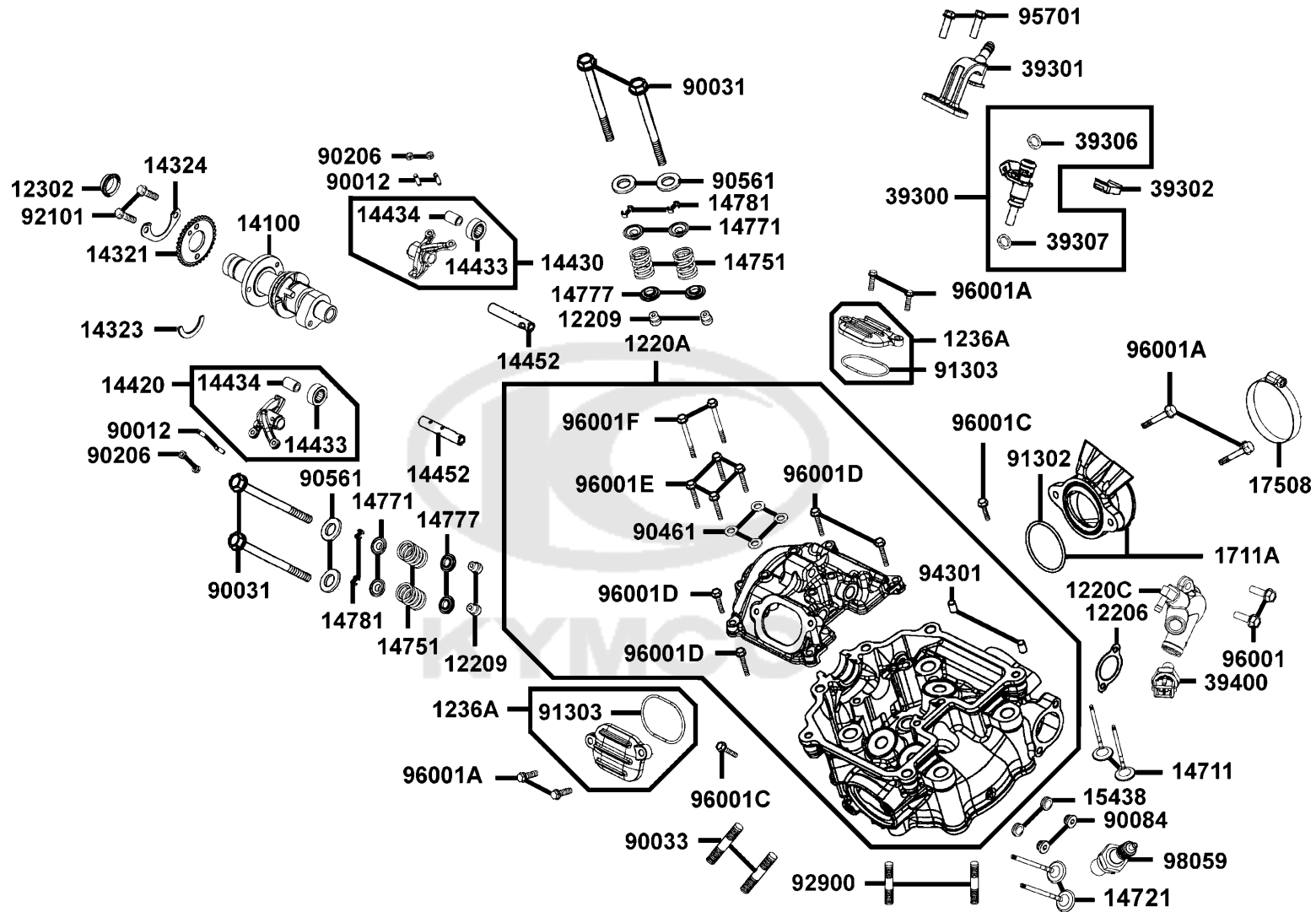
# Cylinder Head Cover Cylinder Head



Sales mark	Ref no	Part no	Description	Reg description	Regd no	<b>E03</b>
12206		12206-LBA2-E00	GASKET WATER COVER	GASKET WATER COVER	1	
12209		12209-PWB1-900	SEAL VALVE STEM	SEAL VALVE STEM	4	
1220A		1220A-PTA1-800	HEAD ASSY CYLINDER	HEAD ASSY CYLINDER	1	
1220C		1220C-LGC7-305	COVER COMP WATER-A	COVER COMP WATER-A	1	
12302		12302-PTA1-900	PLUG HEAD	PLUG HEAD	1	
1236A		1236A-PWB1-900	CAP ASSY TAPPET ADJUSTING HOLE	CAP ASSY TAPPET ADJUSTING HOLE	2	
14100		14100-PTA1-910	SHAFT COMP CAM	SHAFT COMP CAM	1	
14321		14321-PTA1-900	SPROCKET CAMSHAFT	SPROCKET CAMSHAFT	1	
14323		14323-PWB1-900	C-RING CAM RETAINER	C-RING CAM RETAINER	1	
14324		14324-PWB1-900	WASHER LOCK AMSHAFT	WASHER LOCK AMSHAFT	1	
14420		14420-PTA1-900	ARM COMP EXH VALVE ROCKER	ARM COMP EXH VALVE ROCKER	1	
14430		14430-PTA1-900	ARM COMP IN VALVE ROCKER	ARM COMP IN VALVE ROCKER	1	
14433		14433-PTA1-900	ROCKER ASSY ROCKER ARM	ROCKER ASSY ROCKER ARM	2	
14434		14434-PTA1-900	PIN ROCKER ARM	PIN ROCKER ARM	2	
14452		14452-PTA1-900	SHAFT IN ROCKER ARM	SHAFT IN ROCKER ARM	2	
14711		14711-PTA1-900	VALVE INLET	VALVE INLET	2	
14721		14721-PTA1-900	VALVE EXHAUST	VALVE EXHAUST	2	
14751		14751-PTA1-900	SPRING VALVE OUTER	SPRING VALVE OUTER	4	
14771		14771-PWB1-900	RETAINER UPPER SPRING	RETAINER UPPER SPRING	4	
14777		14777-PWB1-900	SEAT VALVE SPRING	SEAT VALVE SPRING	4	



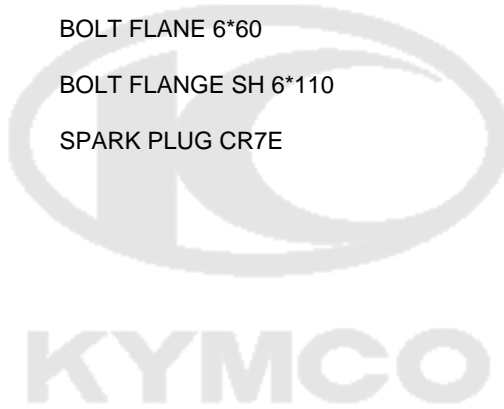
# Cylinder Head Cover Cylinder Head



Sales mark	Ref no	Part no	Description	Reg description	Regd no	<b>E03</b>
14781		14781-MFA6-001	COTTER VALVE	COTTER VALVE	8	
15438		15438-PWB1-900	GASKET METAL COMPRESSION	GASKET METAL COMPRESSION	2	
1711A		1711A-LGC3-E01	MANIFOLD ASSY INLET	MANIFOLD ASSY INLET	1	
17508		17508-LGC7-E00	CLAMP D60	CLAMP D60	1	
39300		39300-PTA1-800	INJECTOR FUEL	INJECTOR FUEL	1	
39301		39301-LGC7-E00	ASSY FUEL RAIL	ASSY FUEL RAIL	1	
39302		39302-KKE3-900	CLIP SPRING FUEL INJECTOR	CLIP SPRING FUEL INJECTOR	1	
39306		39306-LEB2-305	O-RING A INJECTOR /BLACK	O-RING A INJECTOR /BLACK	1	
39307		39307-LEB2-305	O-RING B INJECTOR /GREEN	O-RING B INJECTOR /GREEN	1	
39400		39400-LEA6-800	WATER TEMP SENSOR	WATER TEMP SENSOR	1	
90012		90012-3C33-001	SCREW TAPPET ADJUSTING	SCREW TAPPET ADJUSTING	4	
90031		90031-PWB1-900	BOLT UBS 10x170	BOLT UBS 10x170	4	
90033		90033-KGB4-C00	BOLT STUD M8X40 (C)	BOLT STUD M8X40 (C)	2	
90084		90084-KKE5-E00	CAPE OIL CHANNEL	CAPE OIL CHANNEL	2	
90206		90206-0A01-001	NUT TAPPET ADJG	NUT TAPPET ADJG	4	
90461		90461-PWB1-900	WASHER SEALING	WASHER SEALING	4	
90561		90561-PWB1-900	WASHER 21X10X2.2	WASHER 21X10X2.2	4	
91302		91302-PTA1-800	O-RING INTAKE MANIFOLD 44.12X2.62	O-RING INTAKE MANIFOLD 44.12X2.62	1	
91303		91303-PWB1-900	ORING INSPECTION CAP	ORING INSPECTION CAP	2	
92101		92101-06012-0HN	BOLT HEX 6X12	BOLT HEX 6X12	2	

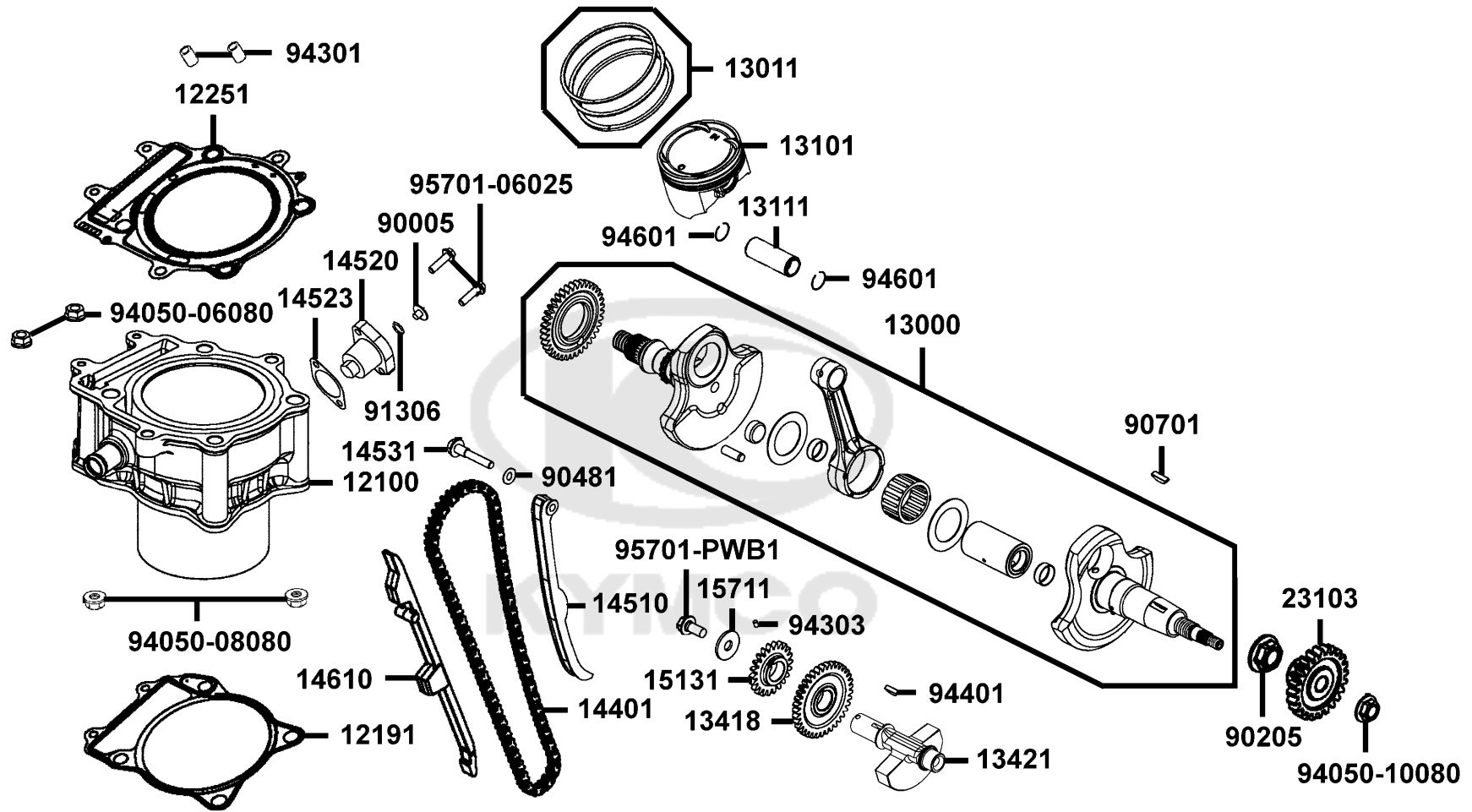


Sales mark	Ref no	Part no	Description	Reg description	Regd no	<b>E03</b>
92900		92900-PTA1-900	BOLT STUD 8*40	BOLT STUD 8*40	2	
94301		94301-08140	DOWEL PIN 8*14	DOWEL PIN 8*14	2	
95701		95701-06016-06	BOLT FLANGE 6*16 (K)	BOLT FLANGE 6X16	1	
96001		96001-06018-06	BOLT FLANGE SH 6X18	BOLT FLANGE SH 6X18	1	
96001A		96001-06020-06	BOLT FLANGE SH 6*20	BOLT FLANGE SH 6*20	3	
96001C		96001-06025-06	BOLT FLANGE SH 6*25	BOLT FLANGE SH 6*25	1	
96001D		96001-06030-06	BOLT FLANGE SH 6X30	BOLT FLANGE SH 6X30	1	
96001E		96001-06060-06	BOLT FLANGE 6*60	BOLT FLANGE 6*60	1	
96001F		96001-06110-06	BOLT FLANGE SH 6*110	BOLT FLANGE SH 6*110	1	
98059		98059-57916-00	SPARK PLUG CR7E	SPARK PLUG CR7E	1	



E04

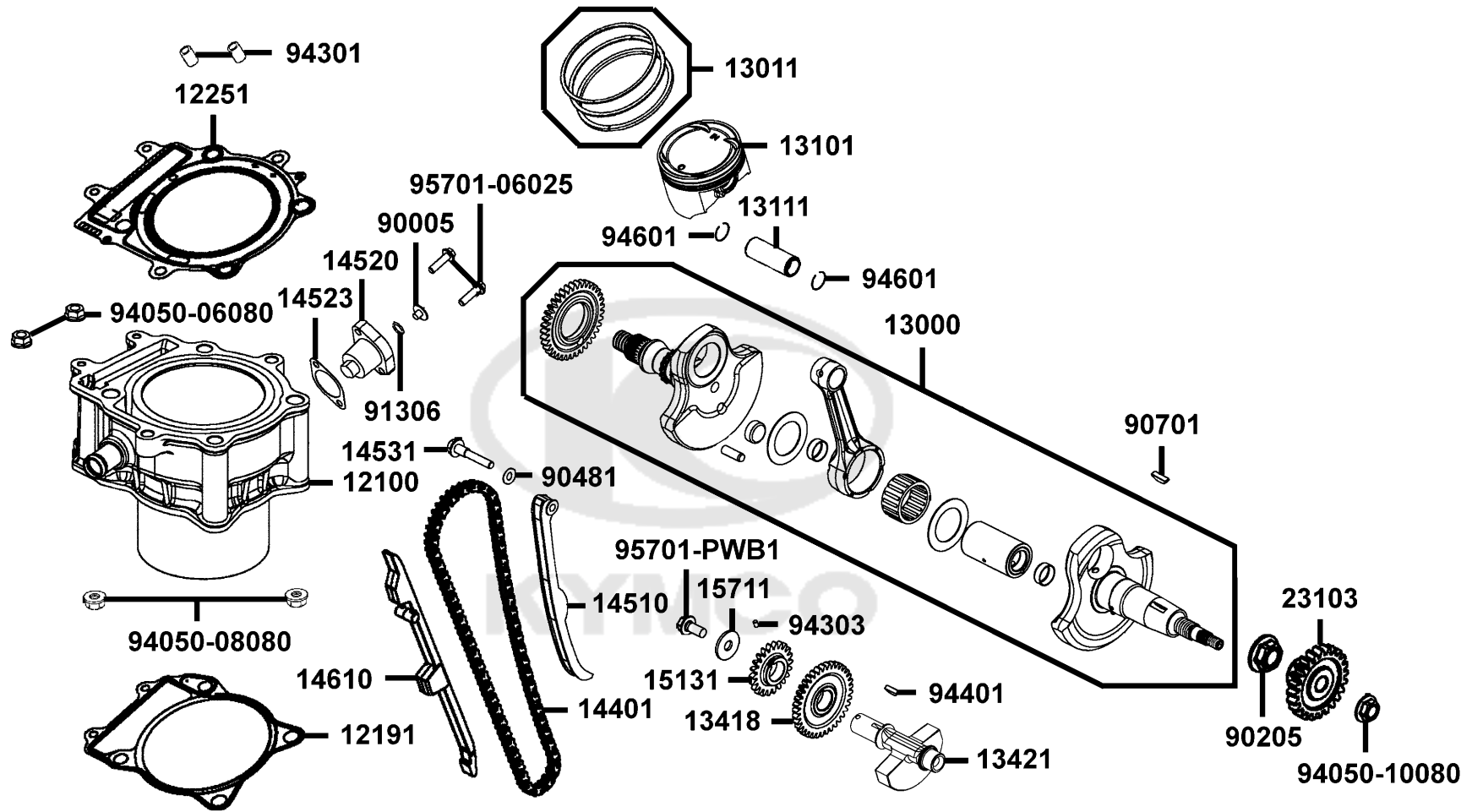
# Cylinder Piston Crankshaft



Sales mark	Ref no	Part no	Description	Reg description	Regd no	E04
	12100	12100-PTA1-900	CYLINDER COMP	CYLINDER COMP	1	
	12191	12191-PTA1-900	GASKET CYLINDER @A	GASKET CYLINDER @A	1	
	12251	12251-PTA1-900	GASKET CYLINDER HEAD	GASKET CYLINDER HEAD	1	
	13000	13000-PWB1-900	CRANK SHAFT COMP	CRANK SHAFT COMP	1	
	13011	13011-PTA1-90B	RING SET PISTON	RING SET PISTON	1	
	13101	13101-LGC7-E00	PISTON	PISTON	1	
	13111	13111-PWB1-900	PIN PISTON	PIN PISTON	1	
	13418	13418-PWB1-900	GEAR A BALANCER SHAFT	GEAR A BALANCER SHAFT	1	
	13421	13421-PTA1-900	SHAFT BALANCER	SHAFT BALANCER	1	
	14401	14401-PWB1-900	CHAIN CAM	CHAIN CAM	1	
	14510	14510-PWB1-900	TENSIONER CAM CHAIN	TENSIONER CAM CHAIN	1	
	14520	14520-GFY6-90C	LIFTER ASSY.. TENSIONER	LIFTER ASSY.. TENSIONER	1	
	14523	14523-KED9-900	GASKET TENSIONER LIFTER @A	GASKET TENSIONER LIFTER @A	1	
	14531	14531-PWB1-900	PIVOT TENSION GUIDE	PIVOT TENSION GUIDE	1	
	14610	14610-PTA1-900	GUIDE COMP CAM CHAIN	GUIDE COMP CAM CHAIN	1	
	15131	15131-PWB1-900	SPROCKET OIL PUMP DRIVE	SPROCKET OIL PUMP DRIVE	1	
	15711	15711-PWB1-900	WASHER 10.2X30X2.5	WASHER 10.2X30X2.5	1	
	23103	23103-PTA1-900	GEAR PRIMARY DRIVE	GEAR PRIMARY DRIVE	1	
	90005	90005-KED9-900	BOLT SPECIAL 6*6	BOLT SPECIAL 6*6	1	
	90205	90205-LDB5-E00	NUT FLANGE 16 mm	NUT FLANGE 16 mm	1	

E04

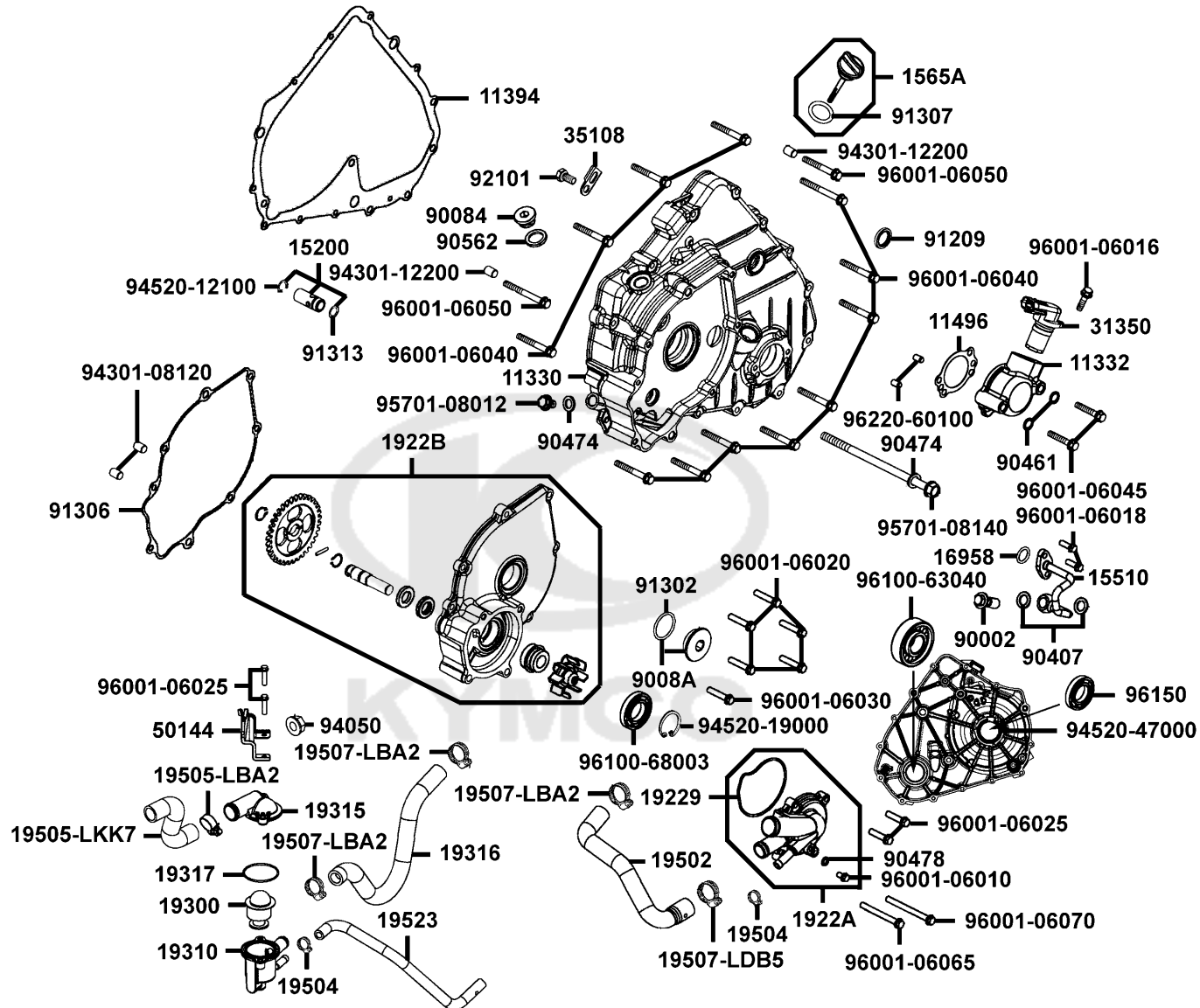
# Cylinder Piston Crankshaft



Sales mark	Ref no	Part no	Description	Reg description	Regd no	<b>E04</b>
90481		90481-0E35-001	WASHER 8MM	WASHER 8MM	1	
90701		90701-LDB5-E00	KEY WAY ACG	KEY WAY ACG	1	
91306		91306-1E05-691	O-RING 1.5*9.5	O-RING 1.5*9.5	1	
94050-06080		94050-06080	NUT FLANGE 6MM	NUT FLANGE 6MM	2	
94050-08080		94050-08080	NUT FLANGE 8MM	NUT FLANGE 8MM	2	
94050-10080		94050-10080	NUT FLANGE 10MM	NUT FLANGE 10MM	1	
94301		94301-12200	DOWEL PIN 12*20	DOWEL PIN 12*20	2	
94303		94303-04065	DOWEL PIN 4*6.5	DOWEL PIN 4*6.5	1	
94401		94401-16150	KEY WOODRUFF 16*15	KEY WOODRUFF 16*15	1	
94601		94601-PWB1-900	CIRCLIP PISTON PIN 20MM	CIRCLIP PISTON PIN 20MM	2	
95701-06025		95701-06025-06	BOLT FLANGE 6*25	BOLT FLANGE 6*25	1	
95701-PWB1		95701-PWB1-900	BOLT FLANGE 10x20	BOLT FLANGE 10x20	1	

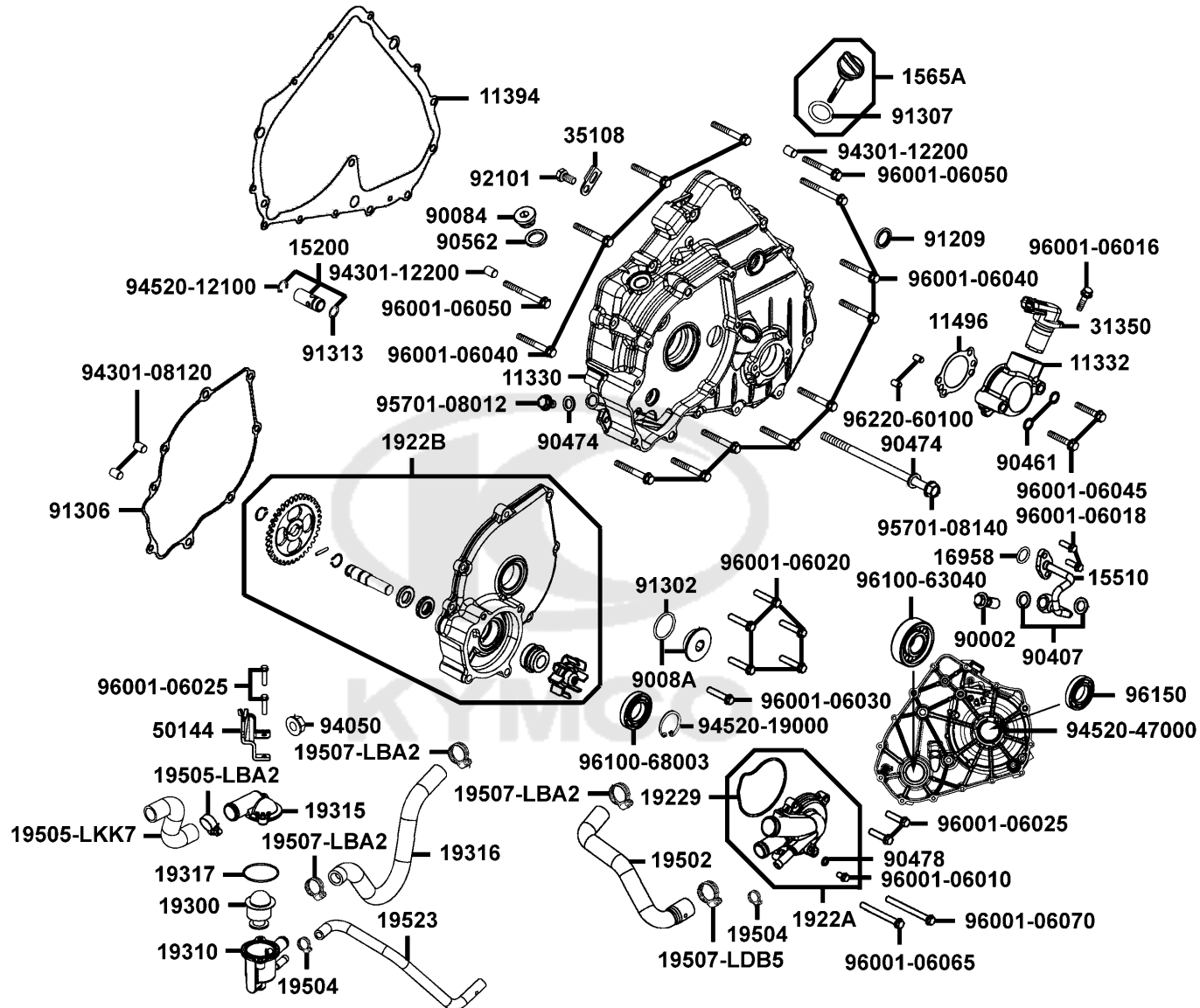


Cover Left Crank Case



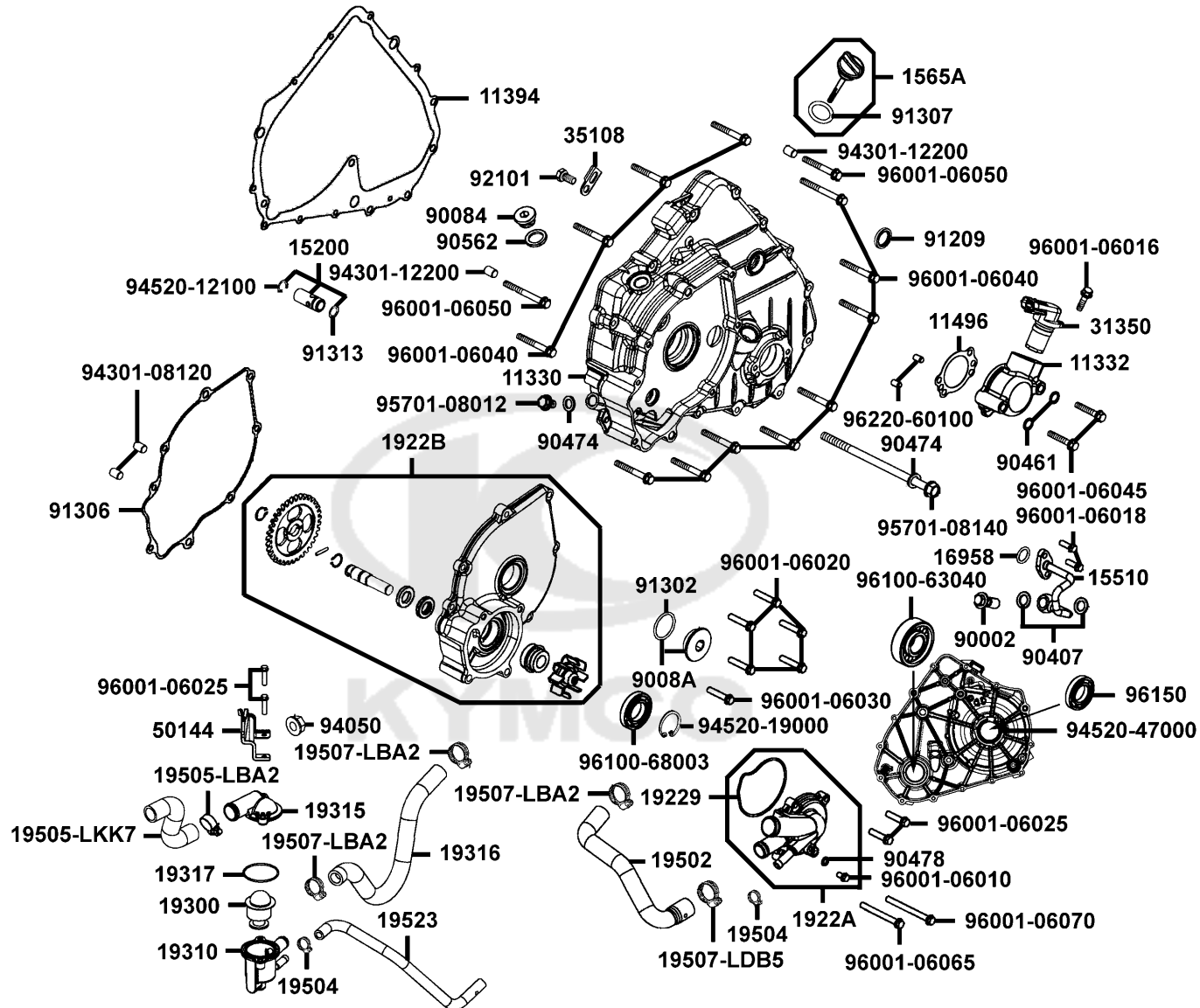
Sales mark	Ref no	Part no	Description	Reg description	Regd no	<b>E05</b>
11330		11330-PTA1-900	COVER LEFT CRANK CASE	COVER LEFT CRANK CASE	1	
11332		11332-PWB1-900	HOUSING SPEED SENSOR	HOUSING SPEED SENSOR	1	
11394		11394-PWB1-900	GASKET L COVER	GASKET L COVER	1	
11496		11496-PWB1-900	GASKET SENSOR HOUSING	GASKET SENSOR HOUSING	1	
15200		15200-PWB1-900	OIL RELIEF VALVE ASSY	OIL RELIEF VALVE ASSY	1	
15510		15510-PTA1-900	PIPE COMP OIL	PIPE COMP OIL	1	
1565A		1565A-PWB1-900	GAUGE ASSY.OIL LEVEL	GAUGE ASSY.OIL LEVEL	1	
16958		16958-KHB4-900	O-RING 10.77x2.62	O-RING 10.77x2.62	1	
19229		19229-LDB5-E00	RING WATER PUMP	RING WATER PUMP	1	
1922A		1922A-PTA1-900	COVER ASSY WATER PUMP	COVER ASSY WATER PUMP	1	
1922B		1922B-PTA1-900	WATER PUMP ASSY..L. COVER	WATER PUMP ASSY..L. COVER	1	
19300		19300-PTA1-900	THERMOSTAT ASSY	THERMOSTAT ASSY	1	
19310		19310-LDB5-E00	CASE COMP THERMOSTAT	CASE COMP THERMOSTAT	1	
19315		19315-LBA2-E00	COVER THERMOSTAT	COVER THERMOSTAT	1	
19316		19316-PTA1-900	HOSE THERMOATAT A	HOSE THERMOATAT A	1	
19317		19317-LBA2-E00	RING 48.3*2	RING 48.3*2	1	
19502		19502-PTA1-900	HOSE WATER B	HOSE WATER B	1	
19504		19504-LBA2-E00	CLAMP D16.8	CLAMP D16.8	2	
19505-LBA2		19505-LBA2-E00	CLAMP WATER HOSE	CLAMP WATER HOSE	1	
19505-LKK7		19505-LKK7-900	HOSE WATER	HOSE WATER	1	

Cover Left Crank Case



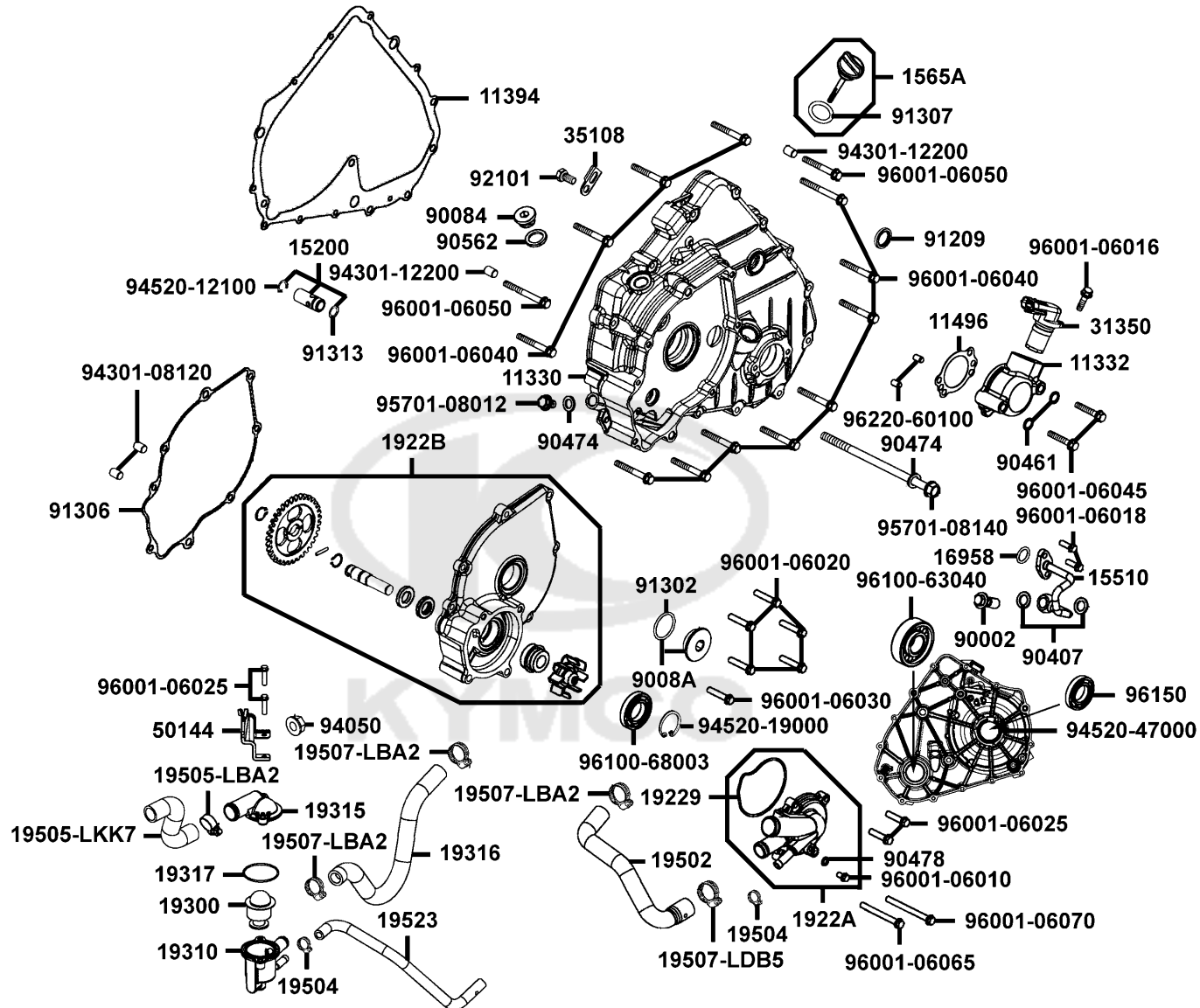
Sales mark	Ref no	Part no	Description	Reg description	Regd no	E05
19507-LBA2		19507-LBA2-E00	CLAMP D 27.5	CLAMP D 27.5	3	
19507-LDB5		19507-LDB5-E00	CLAMP D 28	CLAMP D 28	1	
19523		19523-PTA1-900	HOSE THERMOATAT B	HOSE THERMOATAT B	1	
31350		31350-LDB5-E0A	SENSOR SPEED	SENSOR SPEED	1	
35108		35108-PWB1-900	STAY B ACG STATOR	STAY B ACG STATOR	1	
50144		50144-PTA1-900	BRKT THERMOSTAT STAY	BRKT THERMOSTAT STAY	1	
90002		90002-KKAK-900	BOLT B OIL PASS	BOLT B OIL PASS	1	
90084		90084-PWB1-900	CAP ACG	CAP ACG	1	
9008A		9008A-PTA1-900	CAP ASSY	CAP ASSY	1	
90407		90407-KAM1-001	SEALING WASHER B OIL PIPE JOIN	SEALING WASHER B OIL PIPE JOIN	2	
90461		90461-PWB1-900	WASHER SEALING	WASHER SEALING	2	
90474		90474-3C33-001	WASHER 8MM	WASHER 8MM	2	
90478		90478-7L00-001	WASHER A 6MM	WASHER A 6MM	1	
90562		90562-PWB1-900	WASHER 16X22X2	WASHER 16X22X2	1	
91209		91209-PWB1-900	OIL SEAL 12X22X9	OIL SEAL 12X22X9	1	
91302		91302-5G67-004	O-RING 27.4*2.4	O-RING 27.4*2.4	1	
91306		91306-PTA1-900	GASKET.STARTING COVER	GASKET.STARTING COVER	1	
91307		91307-0E35-001	O RING 18*3	O RING 18*3	1	
91313		91313-KED9-900	O-RING 15.5*1.5	O-RING 15.5*1.5	1	
92101		92101-05012-0G	BOLT HEX 5X12	BOLT HEX 5X12	1	

Cover Left Crank Case



Sales mark	Ref no	Part no	Description	Reg description	Regd no	<b>E05</b>
94050		94050-06060	NUT FLANGE 6MM	NUT FLANGE 6MM	1	
94301-08120		94301-08120	DOWEL PIN 8*12	DOWEL PIN 8*12	2	
94301-12200		94301-12200	DOWEL PIN 12*20	DOWEL PIN 12*20	2	
94520-12100		94520-12100	CIR CLIP IN 12	CIR CLIP IN 12	1	
94520-19000		94520-19000	CIR CLIP IN 19	CIR CLIP IN 19	1	
94520-47000		94520-47000	CIR CLIP IN 47	CIR CLIP IN 47	1	
95701-08012		95701-08012-06	BOLT FLANGE 8*12	BOLT FLANGE 8*12	1	
95701-08140		95701-08140-06	BOLT FLANGE 8*140	BOLT FLANGE 8*140	1	
96001-06010		96001-06010-00	BOLT FLANGE SH 6X10	BOLT FLANGE SH 6X10	1	
96001-06016		96001-06016-06	BOLT FLANGE SH 6X16	BOLT FLANGE SH 6X16	1	
96001-06018		96001-06018-06	BOLT FLANGE SH 6X18	BOLT FLANGE SH 6X18	1	
96001-06020		96001-06020-06	BOLT FLANGE SH 6*20	BOLT FLANGE SH 6*20	1	
96001-06025		96001-06025-06	BOLT FLANGE SH 6*25	BOLT FLANGE SH 6*25	1	
96001-06030		96001-06030-06	BOLT FLANGE SH 6X30	BOLT FLANGE SH 6X30	1	
96001-06040		96001-06040-06	BOLT FLANGE SH 6*40	BOLT FLANGE SH 6*40	1	
96001-06045		96001-06045-06	BOLT FLANGE 6X45	BOLT FLANGE 6X45	1	
96001-06050		96001-06050-06	BOLT FLANGE SH 6*50	BOLT FLANGE SH 6*50	1	
96001-06065		96001-06065-06	BOLT FLANGE SH 6X65	BOLT FLANGE SH 6X65	1	
96001-06070		96001-06070-06	BOLT FLANGE SH 6*70	BOLT FLANGE SH 6*70	1	
96100-63040		96100-63040-00	BRG BALL RADIAL 6304	BRG BALL RADIAL 6304	1	

Cover Left Crank Case



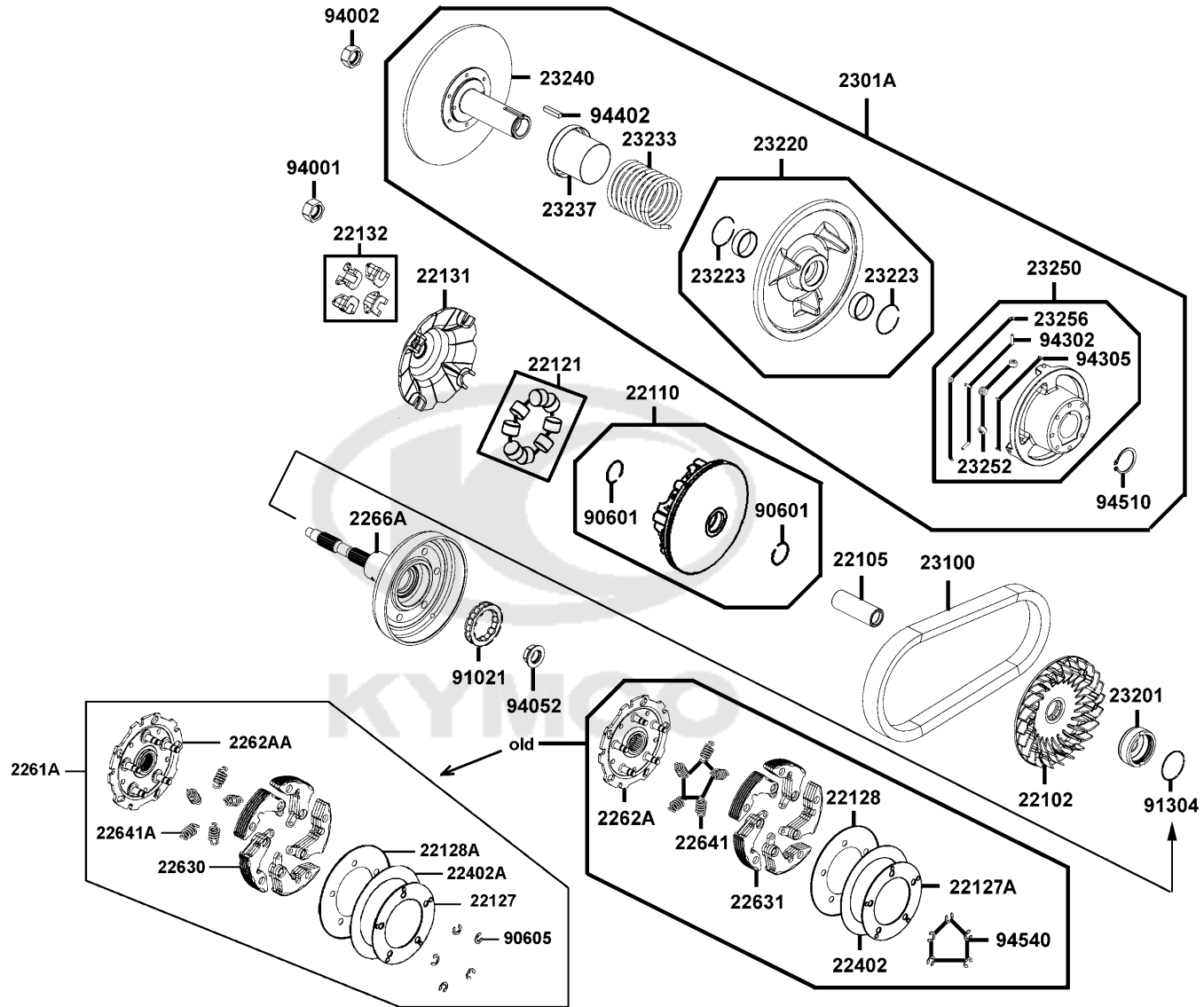
Sales mark	Ref no	Part no	Description	Reg description	Regd no	<b>E05</b>
------------	--------	---------	-------------	-----------------	---------	------------

96100-68003		96100-68003-00	BEARING BALL RADIAL 6800	BEARING BALL RADIAL 6800	1	
96150		96150-PWB1-900	BEARING CONRAD S/R(16005)	BEARING CONRAD S/R(16005)	1	
96220-60100		96220-60100	ROLLER 6*10	ROLLER 6*10	2	



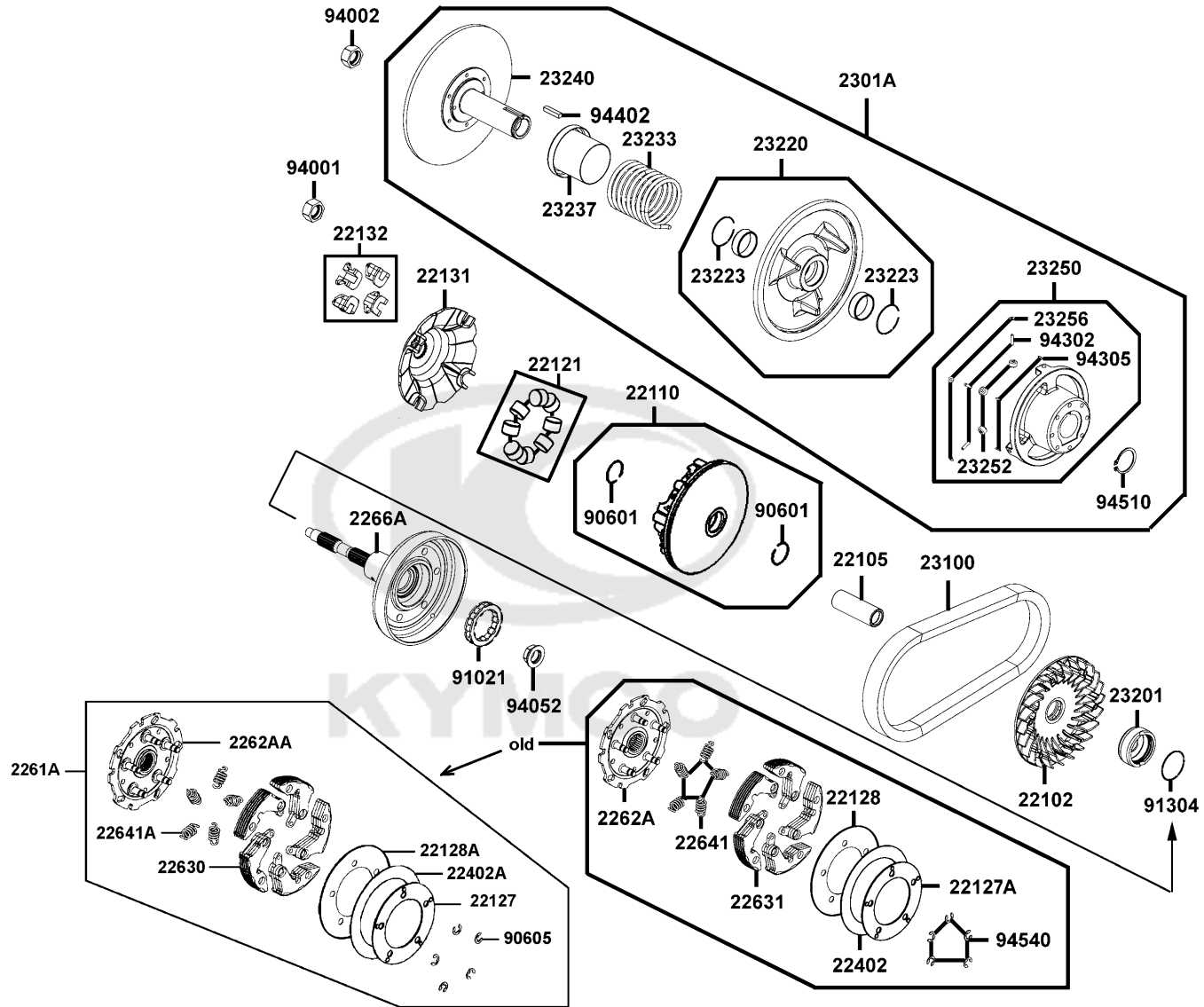


Drive Pulley



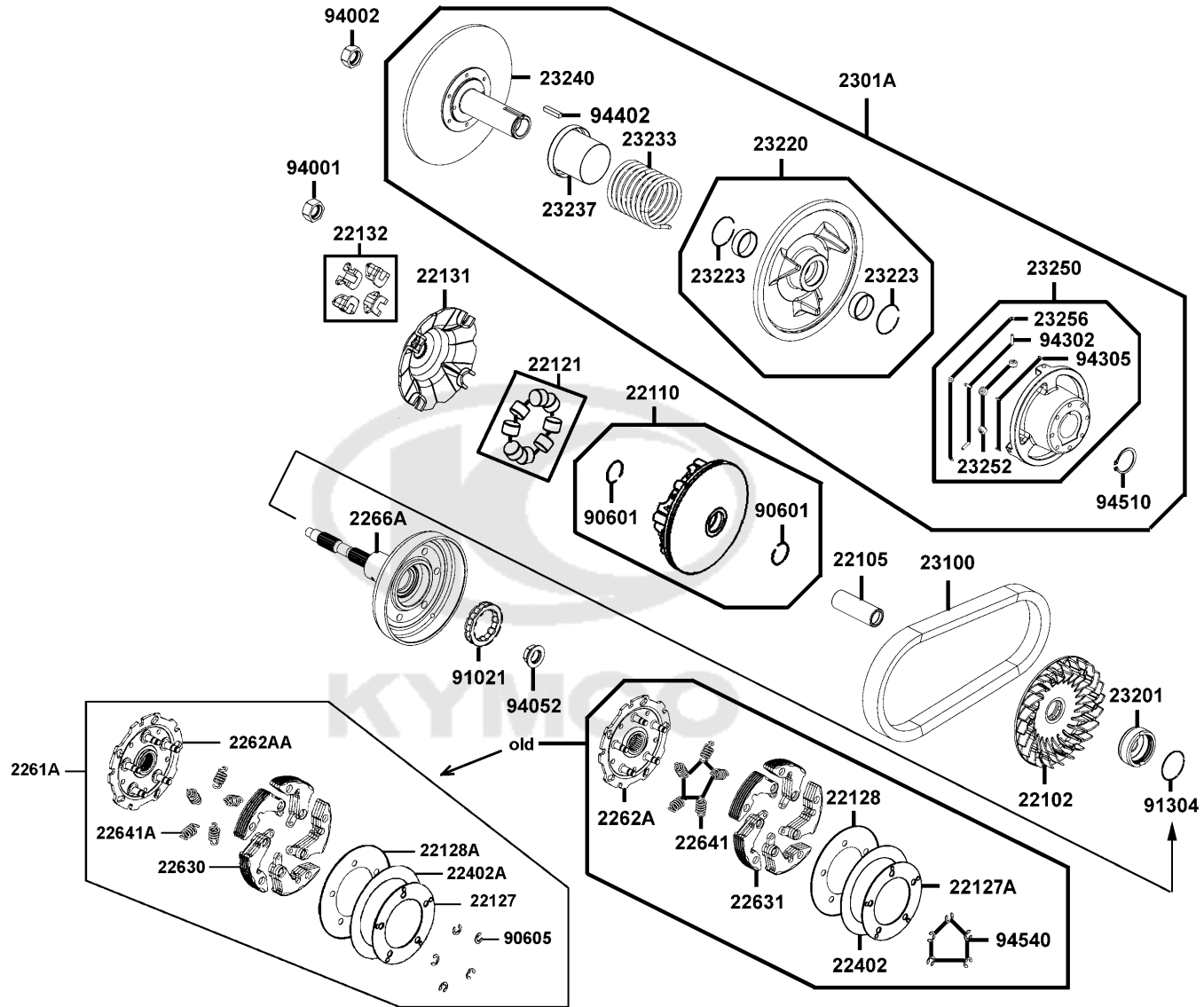
Sales mark	Ref no	Part no	Description	Reg description	Regd no	<b>E06</b>
22102		22102-LFA5-900	FACE DRIVE	FACE DRIVE	1	
22105		22105-ALE8-E00	BOSS DRIVE FACE	BOSSDRIVE FACE	1	
22110		22110-ALE8-E00	FACE COMP MOVABLE	FACE COMP MOVABLE	1	
22121		22121-LGC7-305	ROLLER SET WEIGHT (1SET:8PCS)	ROLLER SET WEIGHT (1SET:8PCS)	1	
22127		22127-LDB5-E00	SEAT ADJUSTER SPG	SEAT ADJUSTER SPG	1	
22127A		22127-LFA5-900	SEAT ADJUSTER SPG	SEAT ADJUSTER SPG	1	
22128		22128-LFA5-900	PLATE ADJUSTER	PLATE ADJUSTER	1	
22128A		22128-PWB1-900	PLATE ADJUSTER SPG	PLATE ADJUSTER SPG	1	
22131		22131-PWB1-900	PLATE RAMP	PLATE RAMP	1	
22132		22132-PWB1-305	PIECE SLIDE SET (1SET:4PCS)	PIECE SLIDE SET (1SET:4PCS)	1	
22402		22402-LFA5-900	SPR ADJUSTER	SPR ADJUSTER	1	
22402A		22402-PWB1-900	SPG ADJUSTER	SPG ADJUSTER	1	
2261A		2261A-PWB1-900	CLUTCH ASSY PRIMARY	CLUTCH ASSY PRIMARY	1	
2262A		2262A-LFA5-900	PLATE COMP PRIMARY DRIVE	PLATE COMP PRIMARY DRIVE	1	
2262AA		2262A-PWB1-900	PLATE COMP PRIMARY DRIVE	PLATE COMP PRIMARY DRIVE	1	
22630		22630-PWB1-900	SHOE CLUTCH	SHOE CLUTCH	5	
22631		22631-LFA5-900	WEIGHT COMP PRIMARY CLUTCH	WEIGHT COMP PRIMARY CLUTCH	5	
22641		22641-LFA5-900	PRIMARY CLUTCH SPRING	PRIMARY CLUTCH SPRING	5	
22641A		22641-PWB1-900	PRIMARY CLUTCH SPG	PRIMARY CLUTCH SPG	5	
2266A		2266A-LFA5-900	GEAR ASSYPRIMARY DRIVE	GEAR ASSY PRIMARY DRIVE	1	

Drive Pulley



Sales mark	Ref no	Part no	Description	Reg description	Regd no	E06
	2301A	2301A-LGC7-E00	PULLEY SUB.ASSY.DEIVEN	PULLEY SUB ASSY DEIVEN	1	
	23100	23100-PWB1-900	BELT DRIVE	BELT DRIVE	1	
	23201	23201-PWB1-900	SPACER FIXED DRIVE	SPACER FIXED DRIVE	1	
	23220	23220-LFA5-900	FACE COMP MOVABLE	FACE COMP MOVABLE	1	
	23223	23223-LFA5-900	CLIP 41.5MM	CLIP 41.5MM	2	
	23233	23233-LGC7-E00	SPG DRIVEN FACE	SPG DRIVEN FACE	1	
	23237	23237-LFA5-900	COLLAR SEAL	COLLAR SEAL	1	
	23240	23240-LFA5-900	FACE ASSY DRIVEN	FACE ASSY DRIVEN	1	
	23250	23250-LFA5-900	CAP ASSY DRIVEN CLUTCH	CAP ASSY DRIVEN CLUTCH	1	
	23252	23252-LFA5-900	ROLLER DRIVEN CLUTCH	ROLLER DRIVEN CLUTCH	3	
	23256	23256-LFA5-900	WASHER THRUST	WASHER THRUST	3	
	90601	90601-LFA5-900	CLIP 30MM	CLIP 30MM	2	
	90605	90605-0210	CIRCLE CLIP 7MM	CIRCLE CLIP 7MM	5	
	91021	91021-LDB5-E00	BEARING ONE WAY	BEARING ONE WAY	1	
	91304	91304-PWB1-900	O-RING STARTER CUP	O-RING STARTER CUP	1	
	94001	94001-PWB1-900	NUT FLANGE 16MM	NUT FLANGE 16MM	1	
	94002	94002-PWB1-900	NUT FLANGE 16MM	NUT FLANGE 16MM	1	
	94052	94052-PWB1-900	NUT FLANGE 18MM	NUT FLANGE 18MM	1	
	94302	94302-06025	PIN CAM ROLLER	PIN CAM ROLLER	3	
	94305	94305-03161	PIN SPG 3x16	PIN SPG 3x16	3	

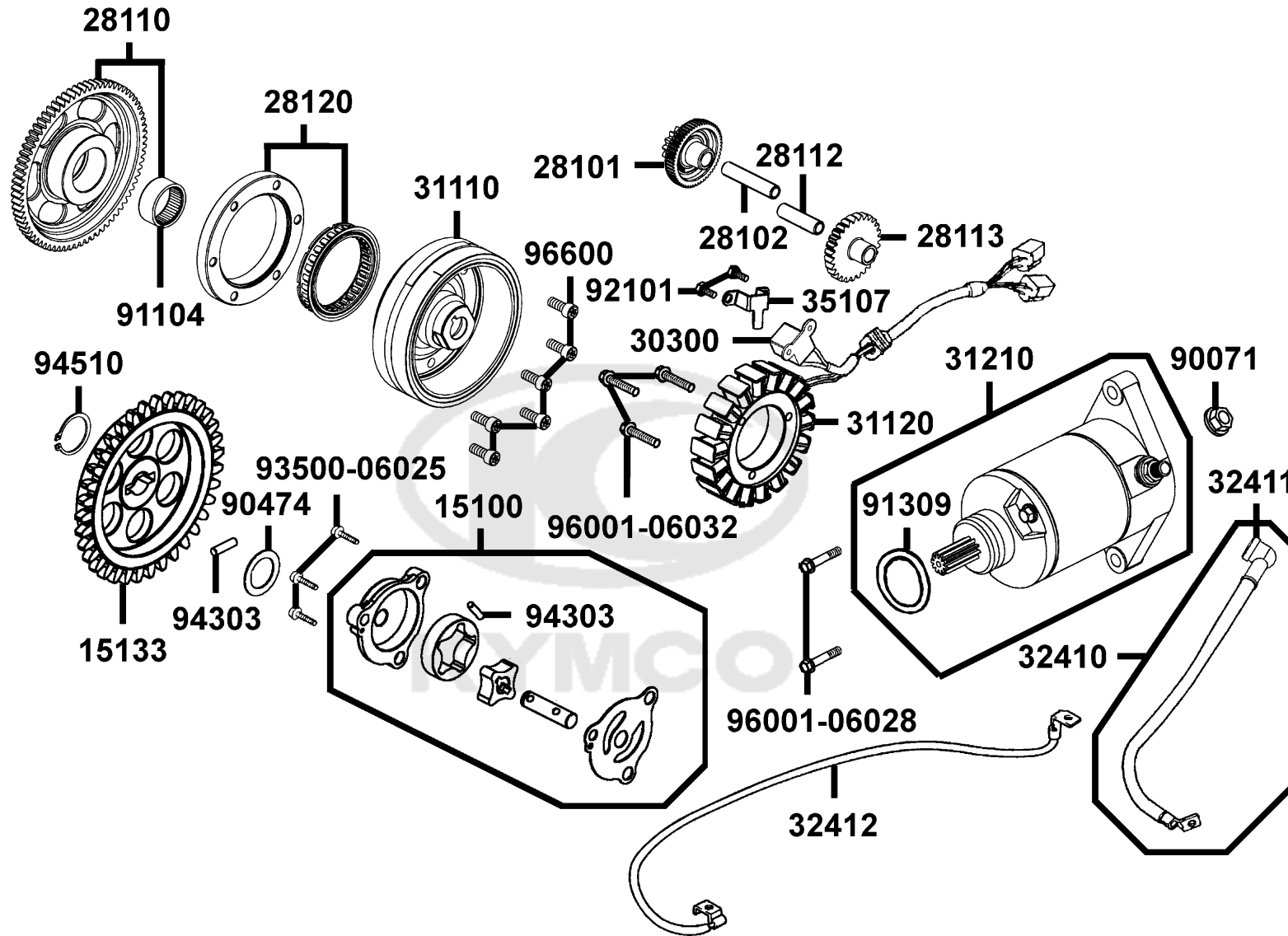
Drive Pulley



Sales mark	Ref no	Part no	Description	Reg description	Regd no	<b>E06</b>
------------	--------	---------	-------------	-----------------	---------	------------

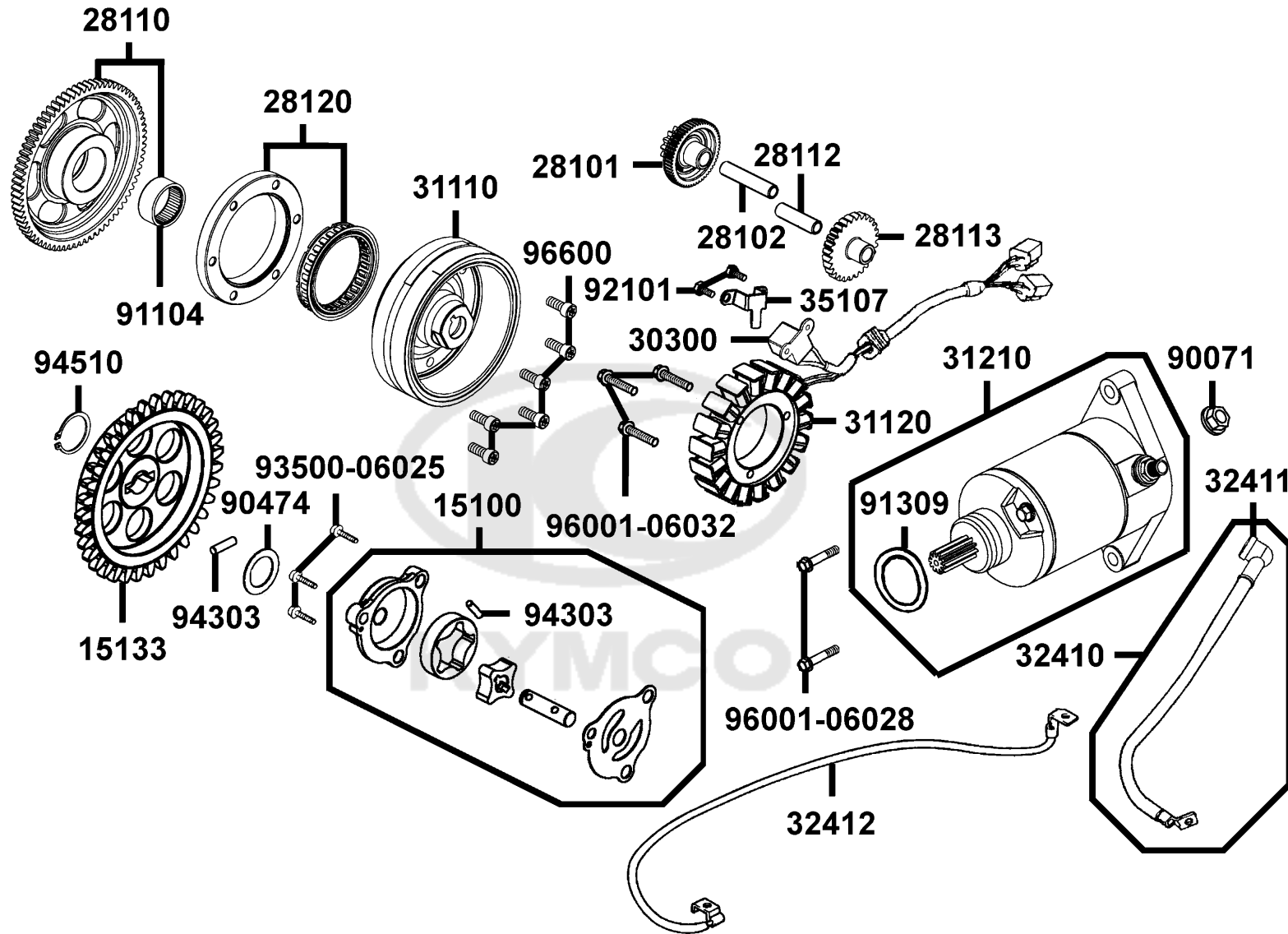
94402		94402-LFA5-900	KEY 6x6x30	KEY 6x6x30	1	
94510		94510-35150	CIRCLIP EX 35	CIRCLIP EX 35	1	
94540		94540-07017	E RING 7MM	E RING 7MM	5	





Sales mark	Ref no	Part no	Description	Reg description	Regd no	E07
	15100	15100-PWB1-900	OIL PUMP ASSY	OIL PUMP ASSY	1	
	15133	15133-PWB1-900	SPROCKET OIL PUMP DRIVEN	SPROCKET OIL PUMP DRIVEN	1	
	28101	28101-PWB1-900	GEAR STARTER REDUCTION	GEAR STARTER REDUCTION	1	
	28102	28102-PWB1-900	SHAFT STARTER REDUCTION GEAR	SHAFT STARTER REDUCTION GEAR	1	
	28110	28110-PWB1-900	GEAR COMP STARTING CLUTCH	GEAR COMP STARTING CLUTCH	1	
	28112	28112-PWB1-900	SHAFT A STARTER REDUCTION GEAR	SHAFT A STARTER REDUCTION GEAR	1	
	28113	28113-PWB1-900	GEAR A STARTER REDUCTION	GEAR A STARTER REDUCTION	1	
	28120	28120-PWB1-900	OUTER COMP STARTING CLUTCH	OUTER COMP STARTING CLUTCH	1	
	30300	30300-KED9-900	GENERATOR COMP PULSE	GENERATOR COMP PULSE	1	
	31110	31110-PTA1-800	FLYWHEEL COMP (D406)	FLYWHEEL COMP (D406)	1	
	31120	31120-LFA5-E00	STATOR COMP (D406)	STATOR COMP (D406)	1	
	31210	31210-PTA1-800	MOTOR UNIT STARTER	MOTOR UNIT STARTER	1	
	32410	32410-PTA1-800	CABLE STARTER MOTOR	CABLE STARTER MOTOR	1	
	32411	32411-2C53-001	COVER STARTING MOTOR TERMINAL	COVER STARTING MOTOR TERMINAL	1	
	32412	32412-PTA1-800	CABLE EARTH	CABLE EARTH	1	
	35107	35107-PWB1-900	STAY A ACG STATOR	STAY A ACG STATOR	1	
	90071	90071-MLB0-001	NUT WASH 6MM	NUT WASH 6MM	1	
	90474	90474-1G47-001	WASHER 10.5MM	WASHER 10.5MM	1	
	91104	91104-PWB1-90A	BRG NEEDLE 31X39X18	BRG NEEDLE 31X39X18	1	
	91309	91309-4E25-004	O-RING 24.4*3.1	O-RING 24.4*3.1	1	



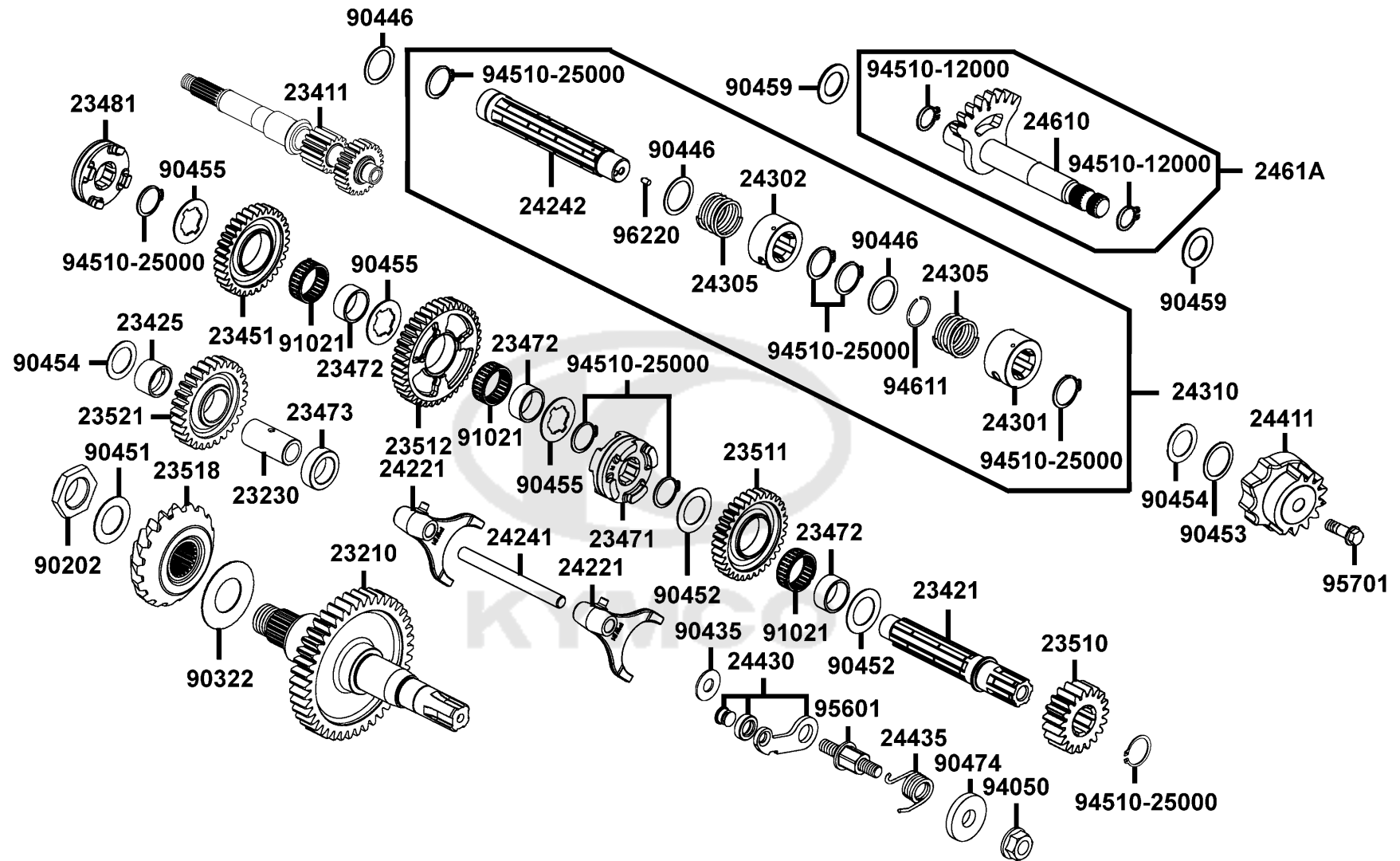


Sales mark	Ref no	Part no	Description	Reg description	Regd no	<b>E07</b>
92101		92101-05012-0G	BOLT HEX 5X12	BOLT HEX 5X12	1	
93500-06025		93500-06025-0FN	SCREW PAN 6X25	SCREW PAN 6X25	1	
94303		94303-04160	PIN 4x16	PIN 4x16	2	
94510		94510-10000	CIR CLIP EX 10MM	CIR CLIP EX 10MM	1	
96001-06028		96001-06028-08N	BOLT FLANGE SH 6*28	BOLT FLANGE SH 6*28	2	
96001-06032		96001-06032-06N	BOLT FLANGE SH 6X32	BOLT FLANGE SH 6X32	1	
96600		96600-LDB5-E00	SOCKET BOLT 8X20	SOCKET BOLT 8X20	6	



E08

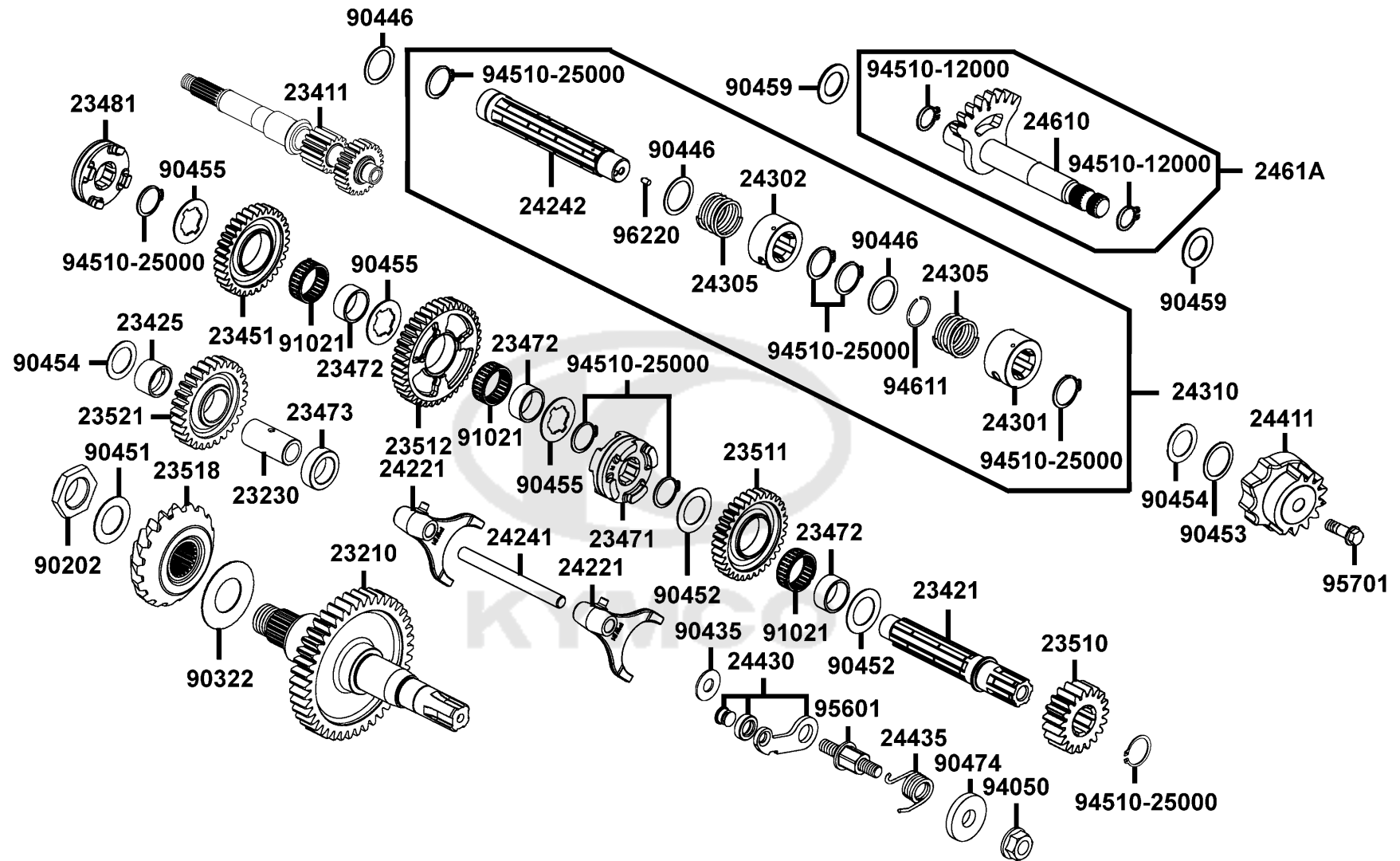
# Clutch Assy Primary



Sales mark	Ref no	Part no	Description	Reg description	Regd no	<b>E08</b>
23210		23210-PWB1-900	SHAFT COMP MAIN	SHAFT COMP MAIN	1	
23230		23230-PWB1-900	SHAFT BACKWARD IDLE	SHAFT BACKWARD IDLE	1	
23411		23411-PTA1-900	SHAFT DRIVE	SHAFT DRIVE	1	
23421		23421-PWB1-900	SHAFT COUNTER	SHAFT COUNTER	1	
23425		23425-PWB1-900	BUSH BACKWARD IDLE GEAR	BUSH BACKWARD IDLE GEAR	1	
23451		23451-PWB1-900	GEAR BACKWARD DRIVEN 32T	GEAR BACKWARD DRIVEN 32T	1	
23471		23471-PWB1-900	SHIFT, FORWARD&LOW	SHIFT, FORWARD&LOW	1	
23472		23472-PWB1-900	RING 25 INNER	RING 25 INNER	3	
23473		23473-PWB1-900	COLLAR 20X30X9.5	COLLAR 20X30X9.5	1	
23481		23481-PWB1-900	SHIFT BACKWARD	SHIFT BACKWARD	1	
23510		23510-PWB1-900	GEAR FORWARD DRIVEN 19T	GEAR FORWARD DRIVEN 19T	1	
23511		23511-PTA1-900	GEAR FORWARD DRIVEN 32T	GEAR FORWARD DRIVEN 32T	1	
23512		23512-PWB1-900	GEAR LOWER DRIVEN 40T	GEAR LOWER DRIVEN 40T	1	
23518		23518-PWB1-900	BEVEL GEAR DRIVE	BEVEL GEAR DRIVE	1	
23521		23521-PWB1-900	GEAR BACKWARD IDLE 28T	GEAR BACKWARD IDLE 28T	1	
24221		24221-PWB1-900	FORK SHIFT	FORK SHIFT	2	
24241		24241-PWB1-900	SHAFT SHIFT FORK	SHAFT SHIFT FORK	1	
24242		24242-PWB1-900	SHAFT DRUM GEAR SHIFT	SHAFT DRUM GEAR SHIFT	1	
24301		24301-PWB1-900	DRUM FORWARD	DRUM FORWARD	1	
24302		24302-PWB1-900	DRUM BACKWARD	DRUM BACKWARD	1	

E08

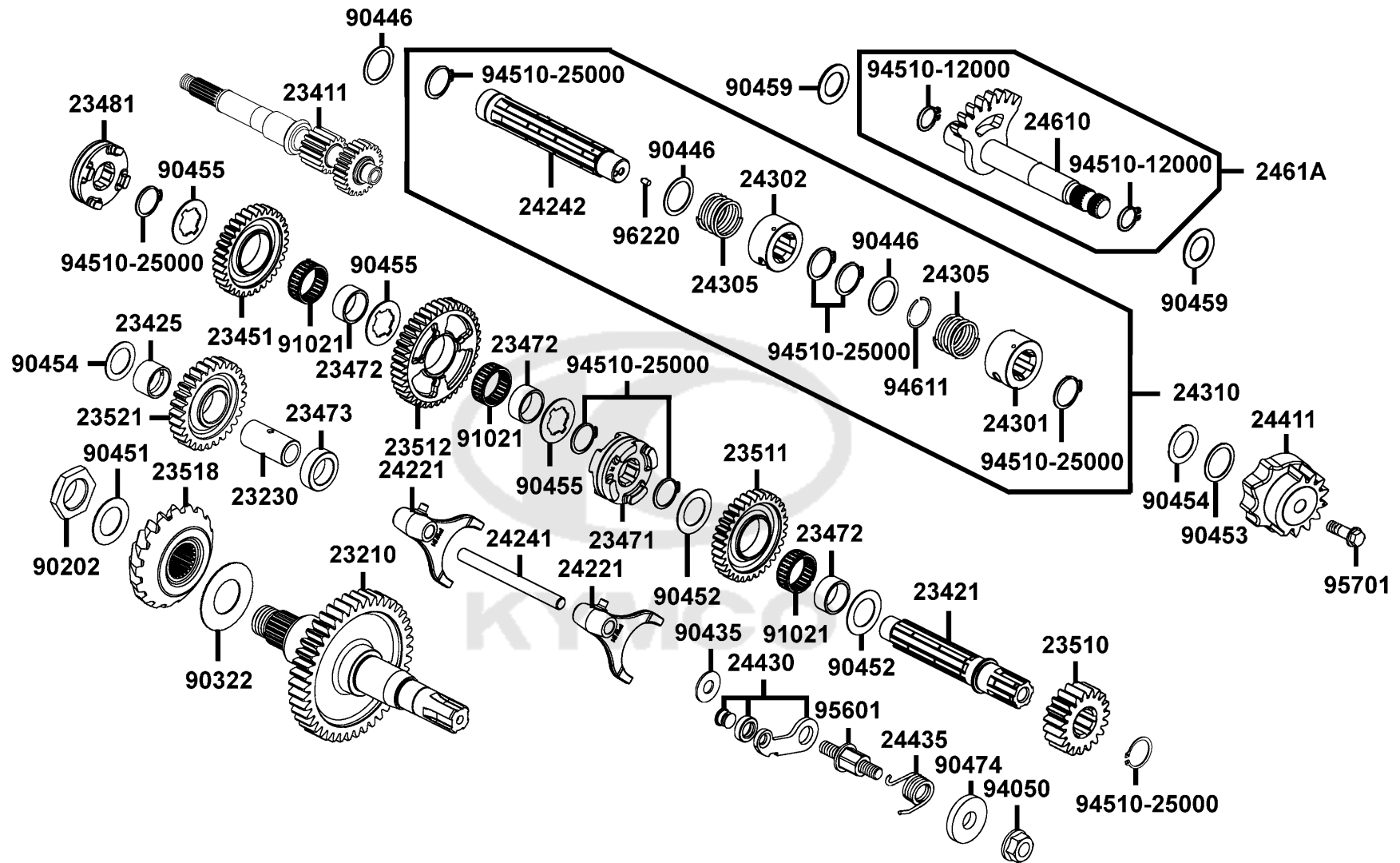
# Clutch Assy Primary



Sales mark	Ref no	Part no	Description	Reg description	Regd no	<b>E08</b>
24305		24305-PWB1-900	SPRING DRUM	SPRING DRUM	2	
24310		24310-PWB1-900	DRUM ASSY GEAR SHIFT	DRUM ASSY GEAR SHIFT	1	
24411		24411-PWB1-900	GEAR DRUM SHIFT	GEAR DRUM SHIFT	1	
24430		24430-PWB1-900	STOPPER COMP DRUM	STOPPER COMP DRUM	1	
24435		24435-PTA1-800	SPRING TORSION CAM ARM	SPRING TORSION CAM ARM	1	
24610		24610-PWB1-900	SPINDLE COMP DRUM SHIFT	SPINDLE COMP DRUM SHIFT	1	
2461A		2461A-PWB1-900	SPINDLE ASSY DRUM SHIFT	SPINDLE ASSY DRUM SHIFT	1	
90202		90202-PWB1-900	NUT DRIVE B GEAR M20X1.5	NUT DRIVE B GEAR M20X1.5	1	
90322		90322-PWB1-900	SHIM DRIVE BEVEL GEAR T=1.15MM	SHIM DRIVE BEVEL GEAR T=1.15MM	1	
90435		90435-HCB3-001	WASHER 6.1MM	WASHER 6.1MM	1	
90446		90446-PWB1-900	WASHER 25X32X1	WASHER 25X32X1	3	
90451		90451-LBA7-900	WASHER THRUST 20MM	WASHER THRUST 20MM	1	
90452		90452-LBA7-900	WASHER THRUST 25MM	WASHER THRUST 25MM	2	
90453		90453-1G07-001	WASHER THRUST 20M/M	WASHER THRUST 20M/M	1	
90454		90454-KED9-900	WASHER THRUST 20*1	WASHER THRUST 20*1	2	
90455		90455-LBA7-900	WASHER SPLINE 25MM	WASHER SPLINE 25MM	3	
90459		90459-PWB1-900	WASHER 12X20X1	WASHER 12X20X1	2	
90474		90474-7D04-000	WASHER 6*17*23	WASHER 6*17*23	1	
91021		91021-PWB1-90B	BRG NEEDLE KT30X35X12.8	BRG NEEDLE KT30X35X12.8	3	
94050		94050-06080	NUT FLANGE 6MM	NUT FLANGE 6MM	1	

E08

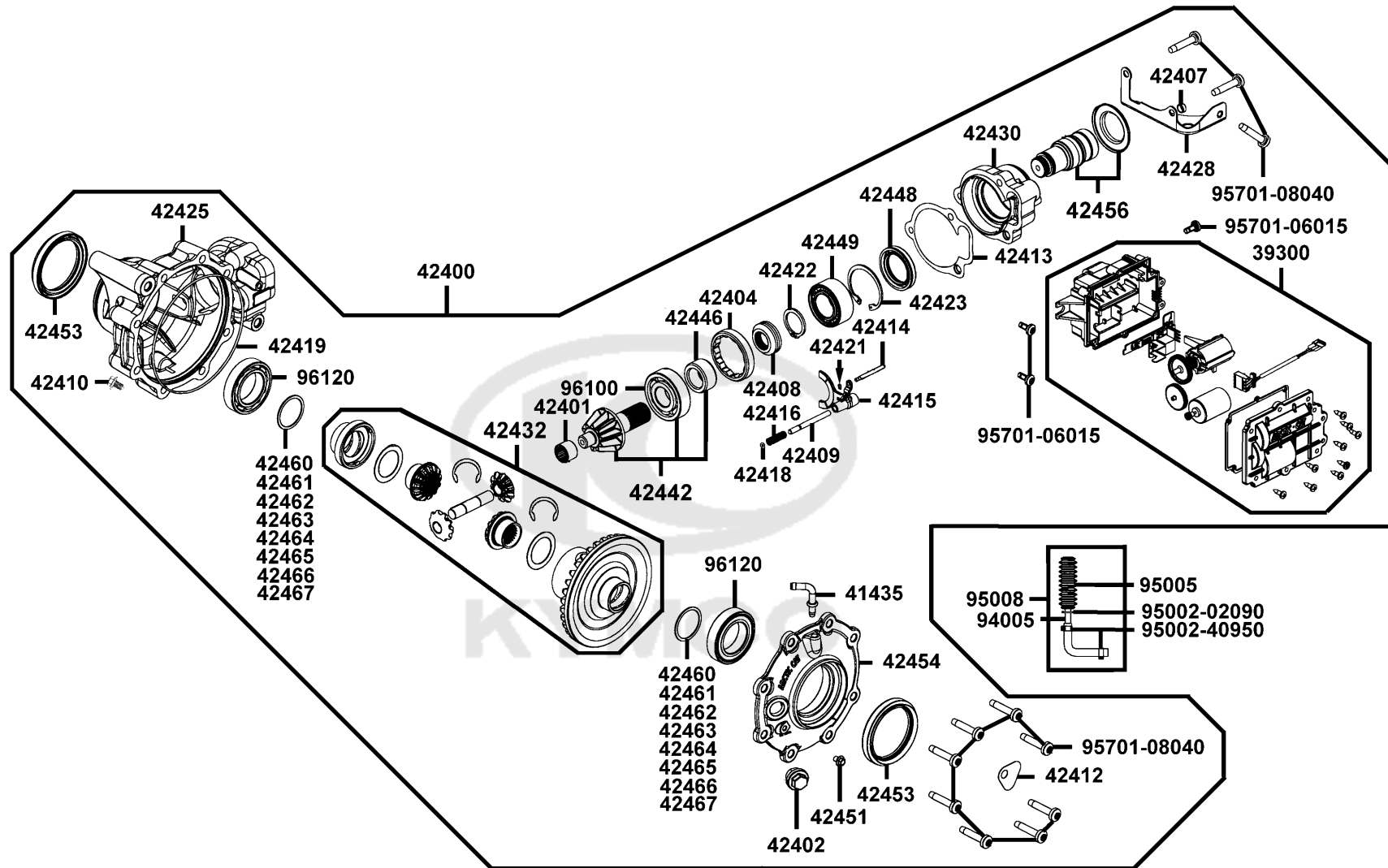
# Clutch Assy Primary



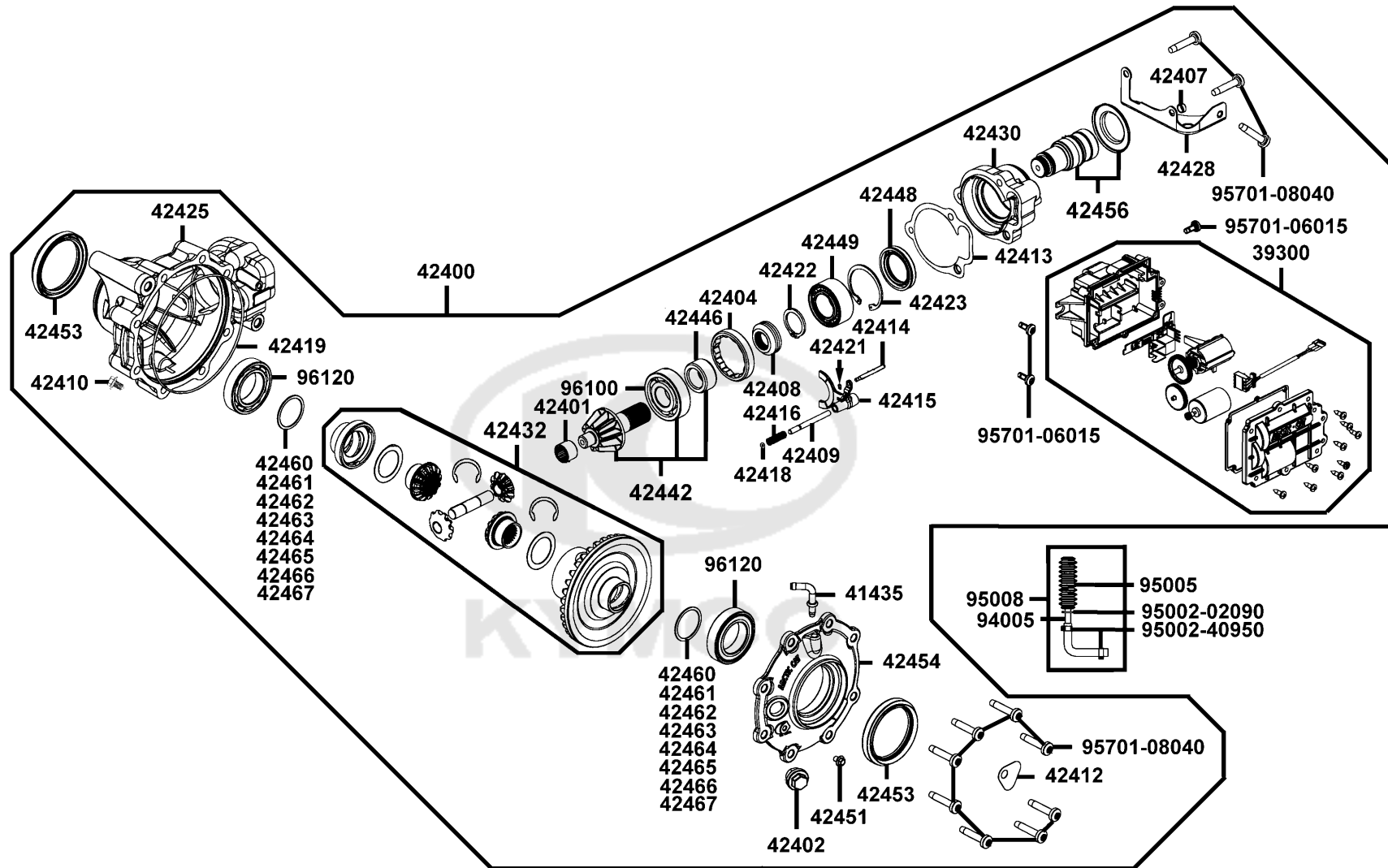
Sales mark	Ref no	Part no	Description	Reg description	Regd no	<b>E08</b>
	94510-12000	94510-12000	CIR CLIP EXTERNAL 12	CIR CLIP EXTERNAL 12	2	
	94510-25000	94510-25000	CIR CLIP EXTERNAL 25	CIR CLIP EXTERNAL 25	8	
	94611	94611-PWB1-900	CLIP DRUM SHAFT	CLIP DRUM SHAFT	1	
	95601	95601-PWB1-900	SUPPORT CAM STOPPER	SUPPORT CAM STOPPER	1	
	95701	95701-06025-06	BOLT FLANGE 6*25	BOLT FLANGE 6*25	1	
	96220	96220-40080	ROLLER 4*8	ROLLER 4*8	1	



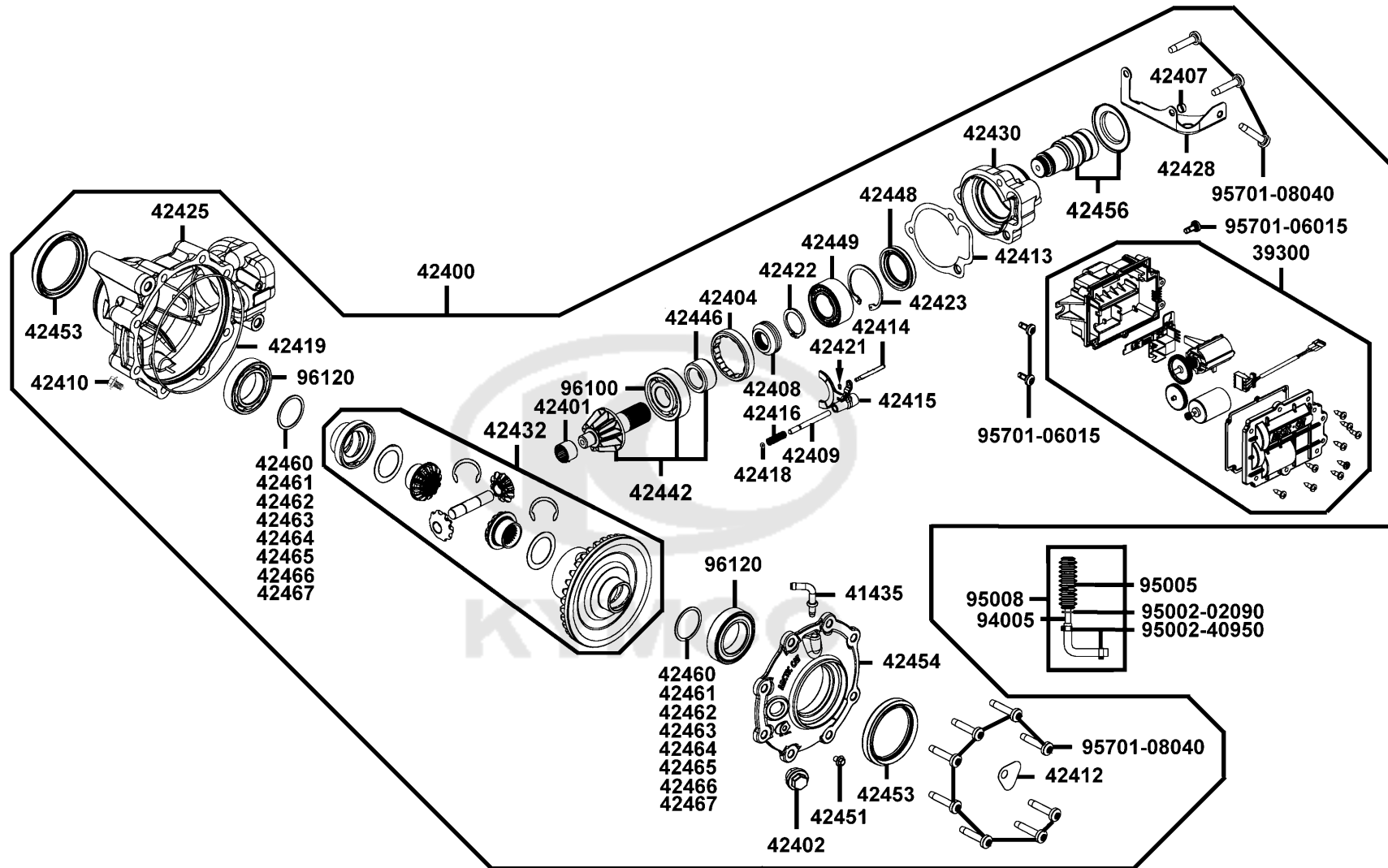




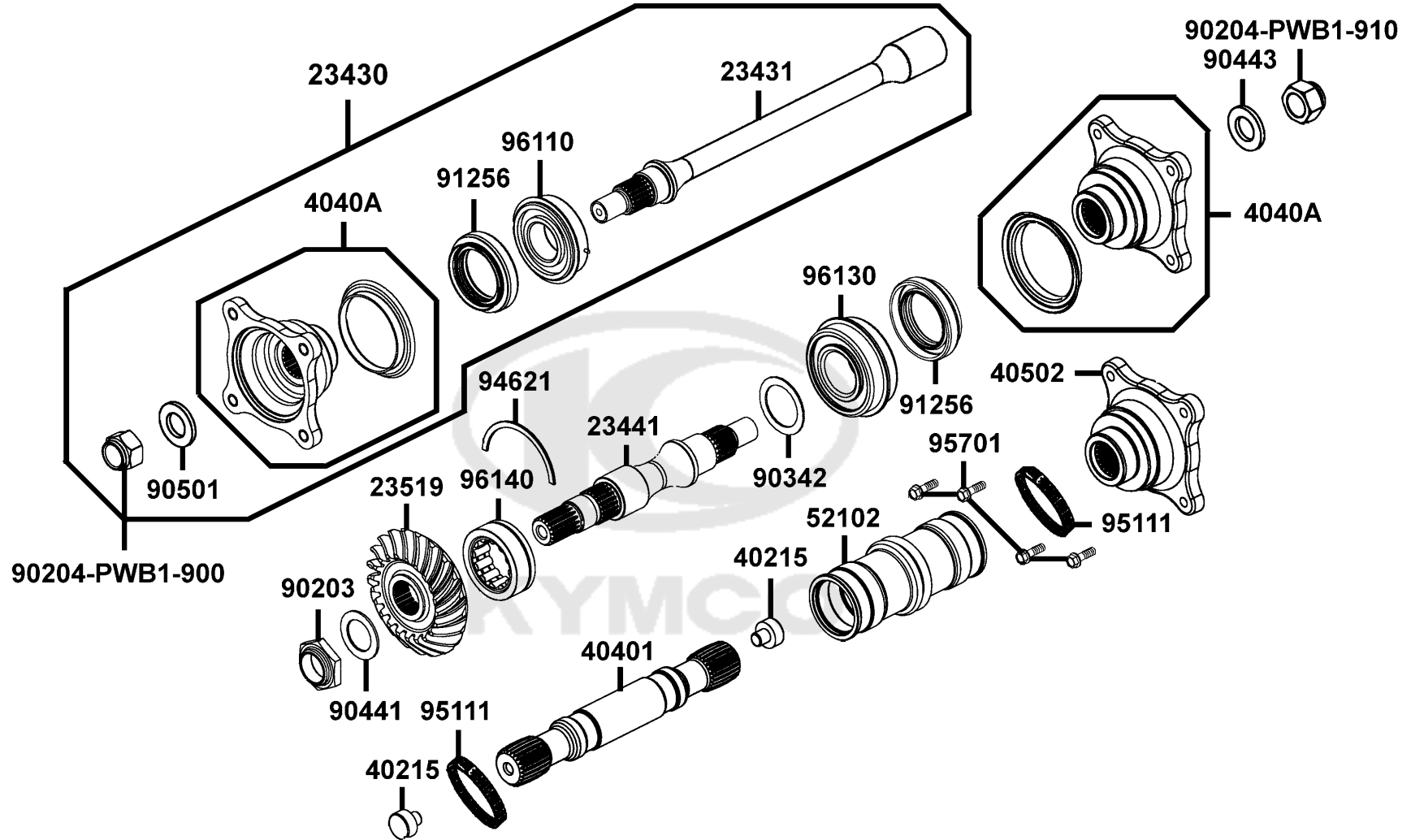
Sales mark	Ref no	Part no	Description	Reg description	Regd no	<b>E09</b>
39300		39300-LFA5-E00	2*4 ACTUATOR ASM	2*4 ACTUATOR ASM	1	
41435		41435-LFA5-900	BARB 90 DEG	BARB 90 DEG	1	
42400		42400-LGC3-900	GEARCASE FRONT (3.1) ASSEMBLY	GEARCASE FRONT (3.1) ASSEMBLY	1	
42401		42401-LFA5-900	BEARING NEEDLE	BEARING NEEDLE	1	
42401		42401-LFA5-90B	BEARING.NEEDLE(16NQ2316)	BEARING.NEEDLE(16NQ2316)	1	
42402		42402-LFA5-900	PLUG FILL	PLUG FILL	1	
42404		42404-LFA5-900	COLLAR LOCK M64X1.5 RH	COLLAR LOCK M64X1.5 RH	1	
42407		42407-LFA5-900	PIN DOWEL	PIN DOWEL	1	
42408		42408-LFA5-900	COUPLER DRIVE	COUPLER DRIVE	1	
42409		42409-LFA5-900	SHAFT SHUTTLE	SHAFT SHUTTLE	1	
42410		42410-LFA5-900	PLUG DRAIN MAG	PLUG DRAIN MAG	1	
42412		42412-LFA5-900	TAG ID GEARCASE	TAG ID GEARCASE	1	
42413		42413-LFA5-900	GASKET FLANGE	GASKET FLANGE	1	
42414		42414-LFA5-900	SHAFT SELECTOR	SHAFT SELECTOR	1	
42415		42415-LFA5-900	FORK SELECTOR	FORK SELECTOR	1	
42416		42416-LFA5-900	SPRING RETURN 4WD	SPRING RETURN 4WD	1	
42418		42418-LFA5-900	O-RING 3*2MM	O-RING 3*2MM	1	
42419		42419-LFA5-900	O-RING 150*2MM	O-RING 150*2MM	1	
42421		42421-LFA5-900	RING RETAINING (4mm EXT)	RING RETAINING (4mm EXT)	1	
42422		42422-LFA5-900	RING RETAINING ONE	RING RETAINING ONE	1	



Sales mark	Ref no	Part no	Description	Reg description	Regd no	<b>E09</b>
42423		42423-LFA5-900	RING RETAINING	RING RETAINING	1	
42425		42425-LFA5-900	HOUSING GEARCASE-FRONT MACH	HOUSING GEARCASE-FRONT MACH	1	
42428		42428-LFA5-900	BRACKET ACTUATOR WELDT	BRACKET ACTUATOR WELDT	1	
42430		42430-LFA5-900	HOUSING PINION MACH	HOUSING PINION MACH	1	
42432		42432-LFA5-900	GEAR(34 TOOTH 3.1)-WELDMENT	GEAR(34 TOOTH 3.1)-WELDMENT	1	
42442		42442-LFA5-900	PINION(11 TOOTH)-ASSEMBLY	PINION(11 TOOTH)-ASSEMBLY	1	
42446		42446-LFA5-900	COLLAR RETAINING	COLLAR RETAINING	1	
42448		42448-LFA5-900	SEAL 38*55*14	SEAL 38*55*14	1	
42449		42449-LFA5-900	BEARING BALL DOUBLE ROW	BEARING BALL DOUBLE ROW	1	
42449		42449-LFA5-90B	BEARING.BALL-DOUBLE ROW	BEARING.BALL-DOUBLE ROW	1	
42451		42451-LFA5-900	PLUG OIL LEVEL	PLUG OIL LEVEL	1	
42453		42453-LGC3-900	OIL SEAL 48*84*9	OIL SEAL 48*84*9	2	
42454		42454-LFA5-900	COVER GEARCASE-FR MACH	COVER GEARCASE-FR MACH	1	
42456		42456-LFA5-900	SHAFT INPUT ASSEMBLY	SHAFT INPUT ASSEMBLY	1	
42460		42460-LFA5-900	SHIM 41*49*1.0	SHIM 41*49*1.0	2	
42461		42461-LFA5-900	SHIM 41*49*1.1	SHIM 41*49*1.1	2	
42462		42462-LFA5-900	SHIM 41*49*1.2	SHIM 41*49*1.2	2	
42463		42463-LFA5-900	SHIM 41*49*1.3	SHIM 41*49*1.3	2	
42464		42464-LFA5-900	SHIM 41*49*1.4	SHIM 41*49*1.4	2	
42465		42465-LFA5-900	SHIM 41*49*1.5	SHIM 41*49*1.5	2	

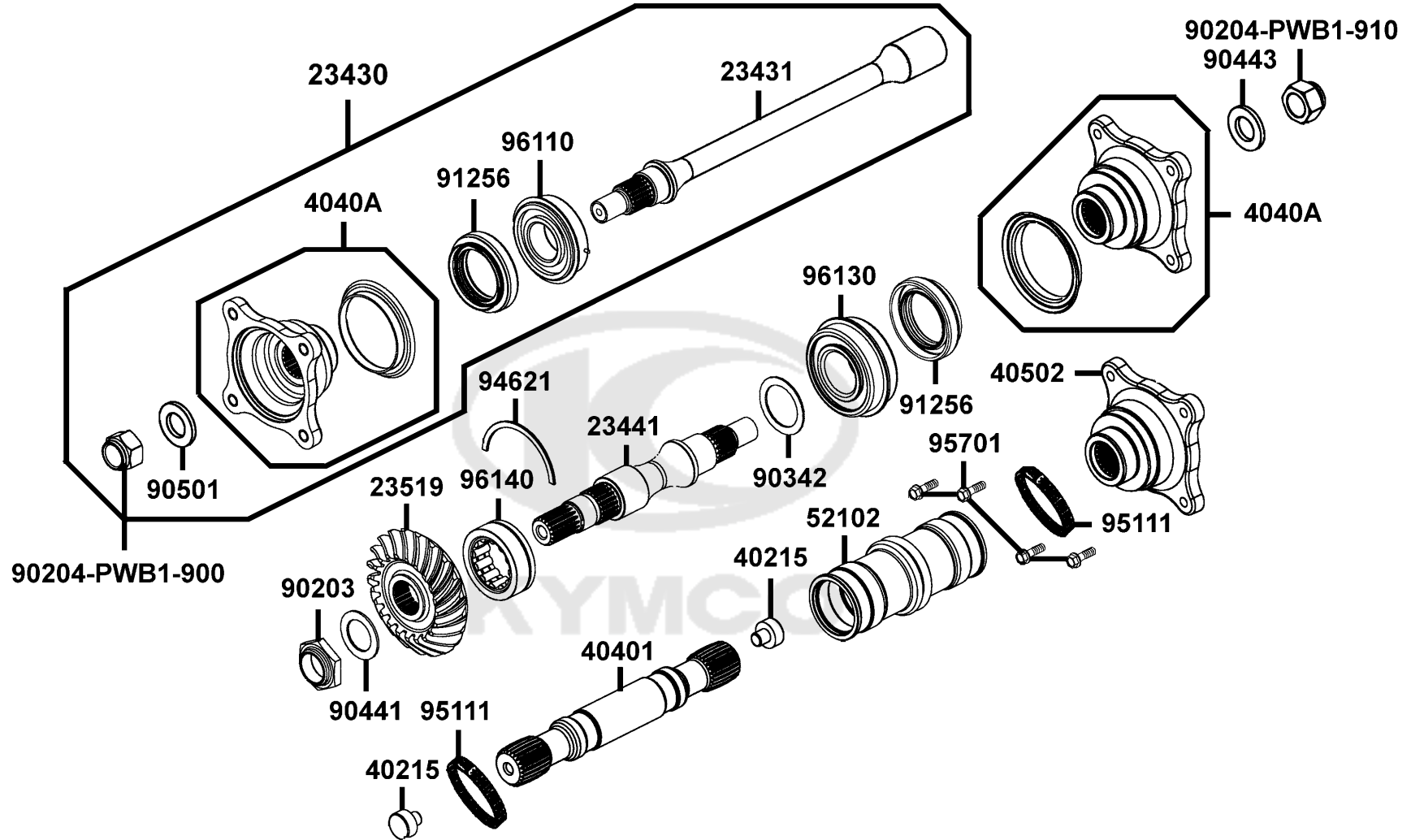


Sales mark	Ref no	Part no	Description	Reg description	Regd no	<b>E09</b>
42466		42466-LFA5-900	SHIM 41*49*1.6	SHIM 41*49*1.6	2	
42467		42467-LFA5-900	SHIM 41*49*1.7	SHIM 41*49*1.7	2	
95701-06015		90110-LFA5-900	BOLT SPECIAL 6X12	BOLT SPECIAL 6X12	1	
94005		94005-PWB1-900	HOSE BARB INTAKE MANIFOLD	HOSE BARB INTAKE MANIFOLD	1	
95002-02090		95002-02090	CLIP B9 TUBE	CLIP B9 TUBE	1	
95002-40950		95002-40950-08	CLAMP D9.5 TUBE	CLAMP D9.5 TUBE	2	
95005		95005-PWB1-900	BREATH TUBE RR GEAR ASSY	BREATH TUBE RR GEAR ASSY	1	
95008		95008-PWB1-900	HOSE VENT-GEARCASE (64mm)	HOSE VENT-GEARCASE (64mm)	1	
95701-08040		95701-08040-06	BOLT FLANGE 8x40 (G)	BOLT FLANGE 8x40 (G)	1	
96100		96100-63050-00	BRG BALL RADIAL 6305	BRG BALL RADIAL 6305	1	
96120		96120-60080-00	BEARING BALL 6008Z	BEARING BALL 6008Z	2	



Sales mark	Ref no	Part no	Description	Reg description	Regd no	E10
	23430	23430-PWB1-900	SHAFT ASSY FINAL DRIVEN FR	SHAFT ASSY FINAL DRIVEN FR	1	
	23431	23431-PWB1-900	SHAFT FINAL DRIVEN FRONT	SHAFT FINAL DRIVEN FRONT	1	
	23441	23441-PWB1-900	SHAFT FINAL DRIVEN REAR	SHAFT FINAL DRIVEN REAR	1	
	23519	23519-PWB1-900	BEVEL GEAR DRIVEN	BEVEL GEAR DRIVEN	1	
	40215	40215-PWB1-900	BUMPER DRIVESHAFT	BUMPER DRIVESHAFT	2	
	40401	40401-PWB1-900	SHAFT PROPELLER FRONT	SHAFT PROPELLER FRONT	1	
	4040A	4040A-PWB1-900	COUPLING REAR OUTPUT SHAFT	COUPLING REAR OUTPUT SHAFT	2	
	40502	40502-PRB2-900	FLANGE OUTPUT	FLANGE OUTPUT	1	
	52102	52102-PWB1-900	BOOT COUPLER-FRONT	BOOT COUPLER-FRONT	1	
	90203	90203-PWB1-900	NUT DRIVEN B GEAR M22X1.5	NUT DRIVEN B GEAR M22X1.5	1	
	90204-PWB1-900	90204-PWB1-900	NUT HEX SHOULDER (M16X1.5)	NUT HEX SHOULDER (M16X1.5)	1	
	90204-PWB1-910	90204-PWB1-910	NUT HEX SHOULDER (M16X1.5)	NUT HEX SHOULDER (M16X1.5)	1	
	90342	90342-PWB1-900	SHIM DRIVEN BEVEL GEAR T=1.15MM	SHIM DRIVEN BEVEL GEAR T=1.15MM	1	
	90441	90441-LBA2-E00	WASHER 22*34*2.5	WASHER 22*34*2.5	1	
	90443	90443-KKE5-E00	WASHER 16mm	WASHER 16mm	1	
	90501	90501-KNBN-901	WASHER 16MM	WASHER 16MM	1	
	91256	91256-PWB1-900	OIL SEAL 34X52X9	OIL SEAL 34X52X9	2	
	94621	94621-PWB1-900	RING DRIVEN BEARING	RING DRIVEN BEARING	1	
	95111	95111-PWB1-900	CLAMP BOOT	CLAMP BOOT	2	
	95701	95701-08020-06	BOLT FLANGE 8*20MM **07 C.2005.07.01	BOLT FLANGE 8*20MM **07 C.2005.07.01	4	





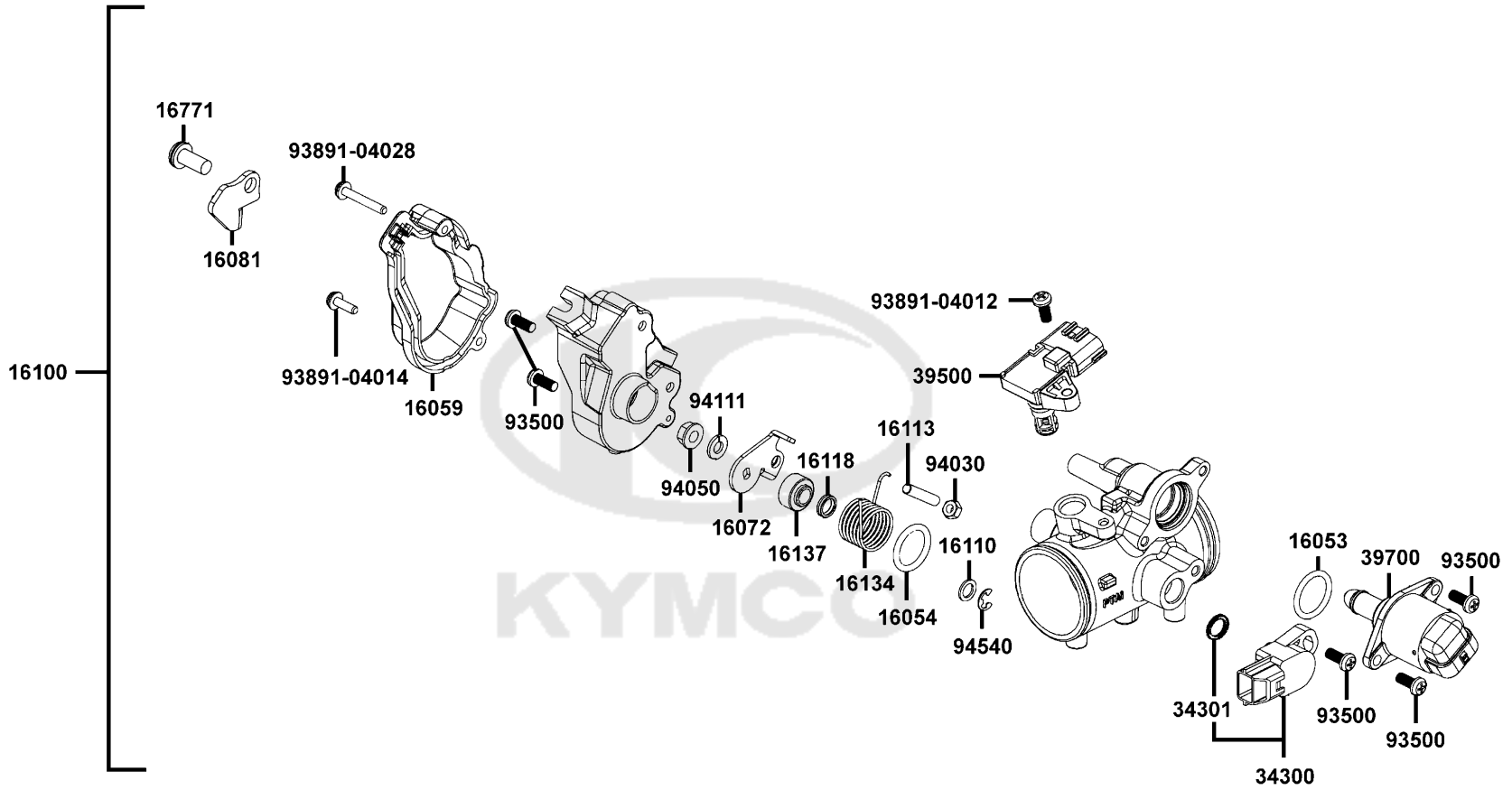
Sales mark	Ref no	Part no	Description	Reg description	Regd no	<b>E10</b>
------------	--------	---------	-------------	-----------------	---------	------------

96110		96110-PWB1-900	BRG BALL SNAP 25X52X15	BRG BALL SNAP 25X52X15	1	
96130		96130-PWB1-900	BEARING BALL D/R 25X52X20.6	BEARING BALL D/R 25X52X20.6	1	
96140		96140-PWB1-900	BRG ROLLER 30X50X17	BRG ROLLER 30X50X17	1	



E11

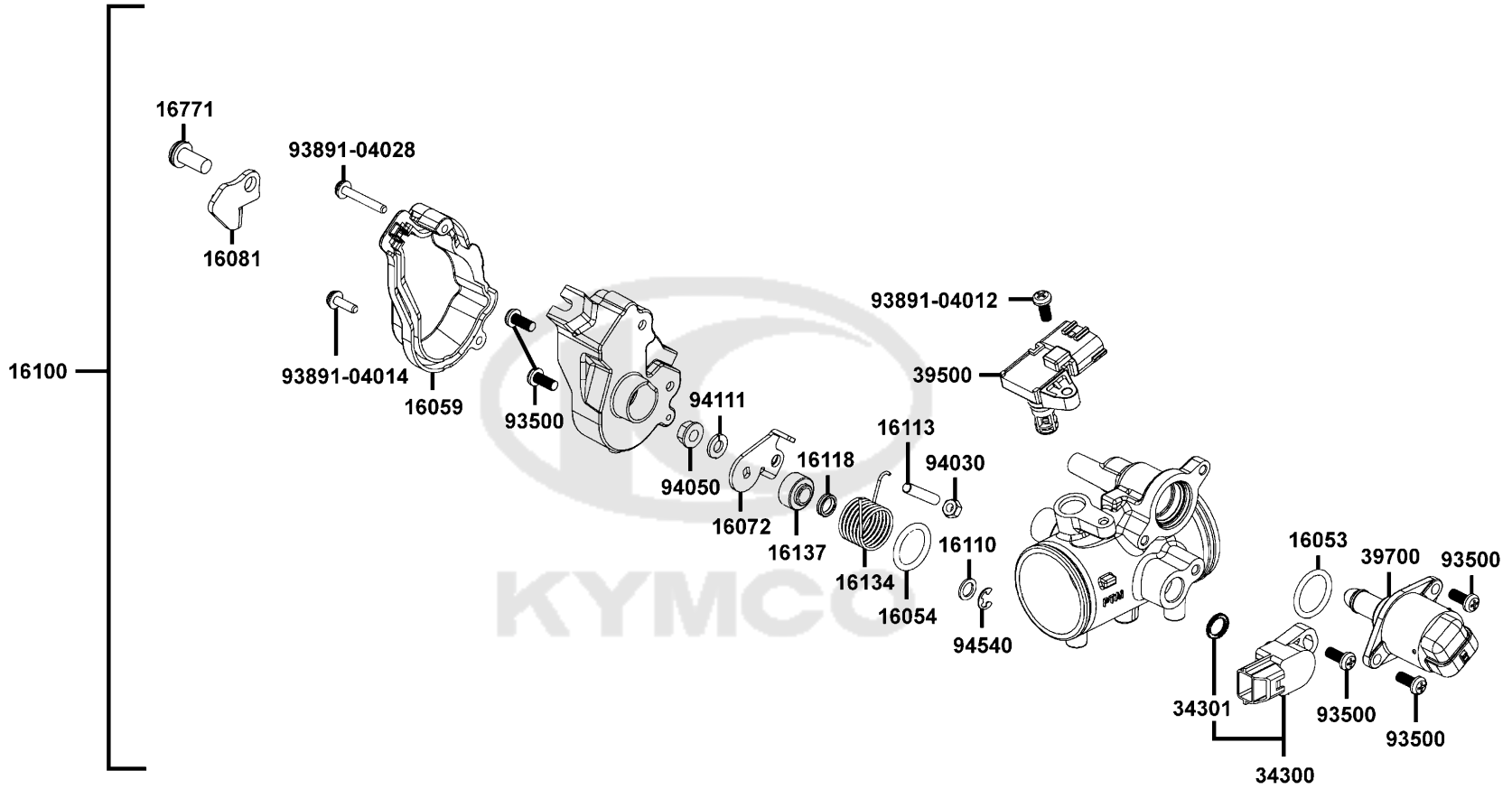
Throttle Body Assy



Sales mark	Ref no	Part no	Description	Reg description	Regd no	E11
	16053	16053-PTA1-800	SEAL	SEAL	1	
	16054	16054-PTA1-800	OIL RING	OIL RING	1	
**	16059	16059-LDB5-E00	COVER WIRE STAY	COVER WIRE STAY	1	
	16072	16072-PTA1-800	DRUM. THROTTLE	DRUM. THROTTLE	1	
	16081	16081-PTA1-E00	STOPPER DRUM THROTTLE	STOPPER DRUM THROTTLE	1	
	16100	16100-PTA1-E00	THROTTLE BODY ASSY	THROTTLE BODY ASSY	1	
	16110	16110-KGC5-900	WASHER THROTTLE ASSY	WASHER SHAFT ASSY	1	
	16113	16113-PTA1-800	PILOT SCREW	PILOT SCREW	1	
	16118	16118-LBF2-900	SEAL THROTTLE SHAFT	SEAL THROTTLE SHAFT	1	
	16134	16134-LDB5-E00	SPG THROTTLE SHAFT	SPG THROTTLE SHAFT	1	
	16137	16137-PTA1-800	COLLAR LEVER	COLLAR LEVER	1	
	16771	16771-PTA1-E00	SCREW-WASHE M5X12	SCREW-WASHE M5X12	1	
	34300	34300-KKE3-900	THROTTLE POSITION SENSOR	THROTTLE POSITION SENSOR	1	
	34301	34301-KKE3-900	O-RING T.P.S.	O-RING T.P.S.	1	
	39500	39500-PTA1-800	SENSOR T-MAP	SENSOR T-MAP	1	
	39700	39700-PTA1-800	BY PASS VALVE IDLE AIR	BY PASS VALVE IDLE AIR	1	
	93500	93500-05012-0F	SCREW PAN 5X12	SCREW PAN 5X12	1	
	93891-04012	93891-04012-06	SCREW WASH 4*12	SCREW WASH 4*12	1	
	93891-04014	93891-04014-06	SCREW WASHER 4X14	SCREW WASHER 4X14	1	
	93891-04028	93891-04028-06	SCREW WASHER 4X28	SCREW WASHER 4X28	1	

E11

# Throttle Body Assy



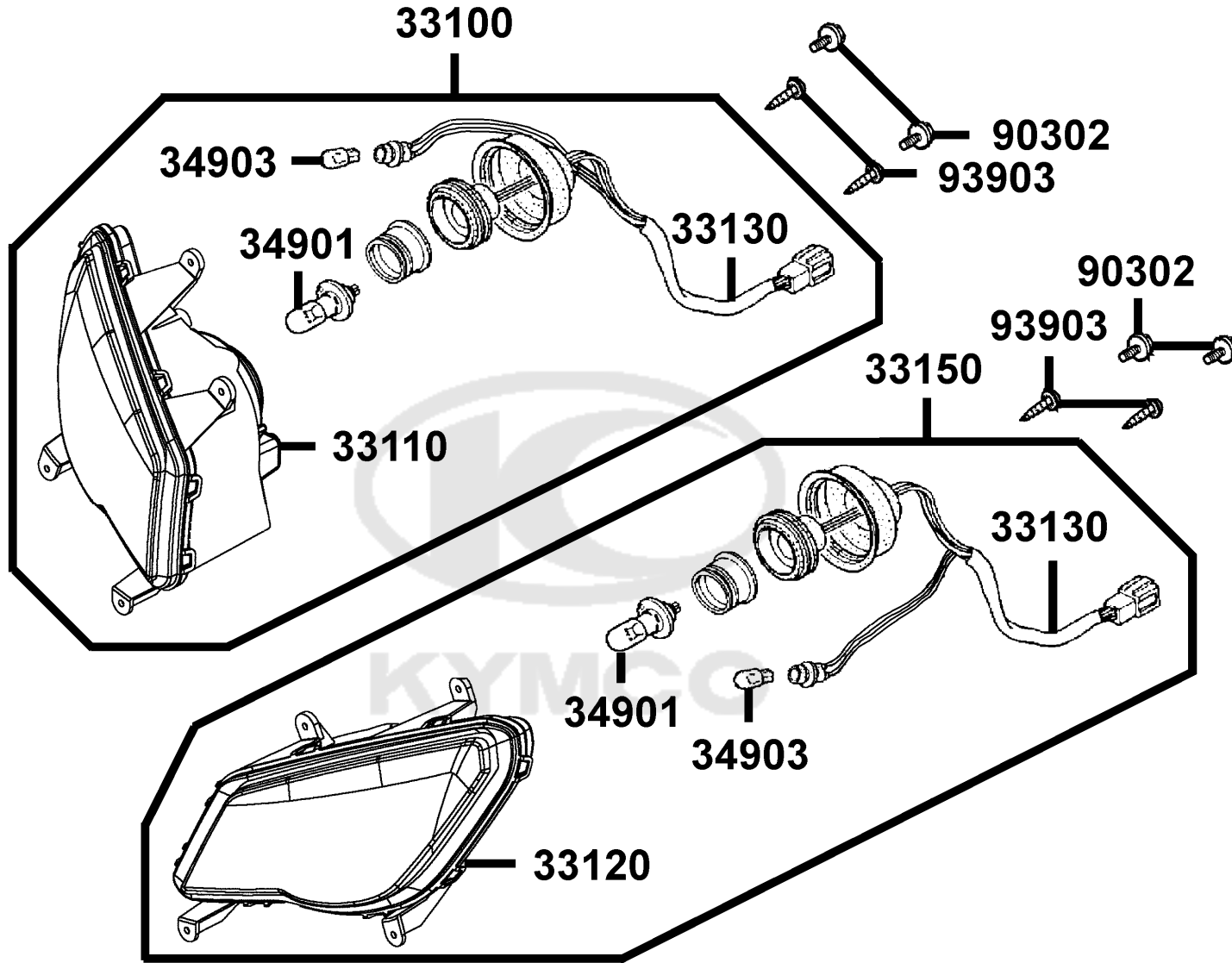
Sales mark	Ref no	Part no	Description	Reg description	Regd no	<b>E11</b>
------------	--------	---------	-------------	-----------------	---------	------------

94030		94030-PTA1-800	NUT HEX 5mm	NUT HEX 5mm	1	
94050		94050-06080	NUT FLANGE 6MM	NUT FLANGE 6MM	1	
94111		94111-06800	WASHER SPRING 6MM	WASHER SPRING 6MM	1	
94540		94540-50029	E CLIP SHAFT	E CLIP SHAFT	1	



F01

Head Light



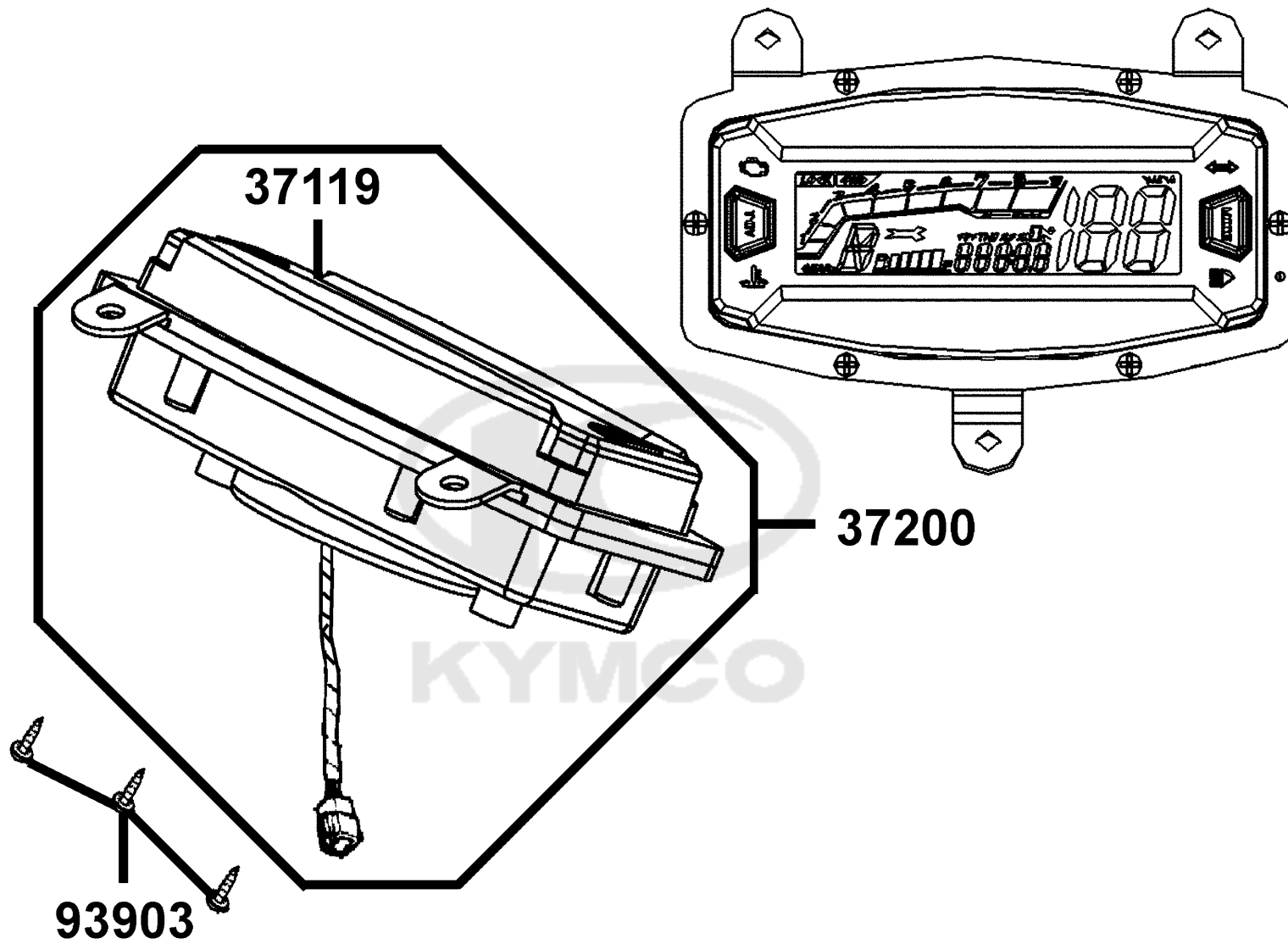
Sales mark	Ref no	Part no	Description	Reg description	Regd no	F01
	33100	33100-LFA5-E00	LIGHT ASS'Y R HEAD	LIGHT ASS'Y R HEAD	1	
	33110	33110-LFA5-E00	UNIT HEAD LIGHT R	UNIT HEAD LIGHT R	1	
	33120	33120-LFA5-E00	UNIT HEAD LIGHT L	UNIT HEAD LIGHT L	1	
	33130	33130-LFA5-E00	SOCKET COMP	SOCKET COMP	2	
	33150	33150-LFA5-E00	LIGHT ASSY L HEAD	LIGHT ASSY L HEAD	1	
	34901	34901-KFA6-900	BULB HEAD LIGHT	BULB HEAD LIGHT (HSI 12V 35/35W)	2	
	34903	34903-KPCP-900	BULB POSITION LIGHT 12V5W **KCP-	BULB POSITION LIGHT 12V5W	2	
	90302	90302-PWA1-900	BOLT-WASH 5*16	BOLT-WASH 5*16	4	
	93903	93903-35260	SCREW TAPPING 5*12	SCREW TAPPING 5*12	4	





F02

DIGITAL GAUGE



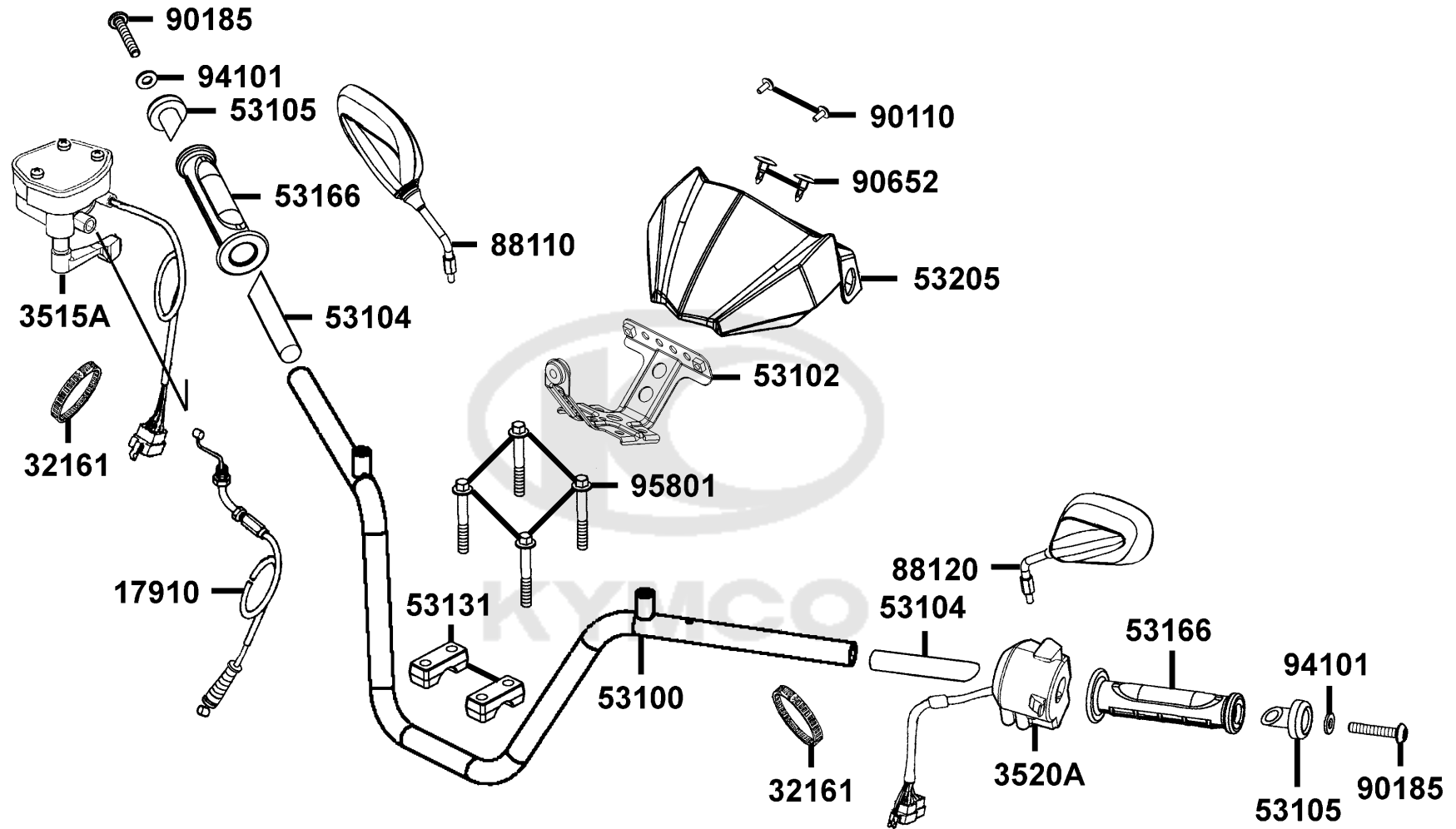
Sales mark	Ref no	Part no	Description	Reg description	Regd no	<b>F02</b>
------------	--------	---------	-------------	-----------------	---------	------------

37119		37119-PTA1-800	LENS ASSY	LENS ASSY	1	
37200		37200-LKK7-E00	DIGITAL GAUGE	DIGITAL GAUGE	1	
93903		93903-35360	SCREW TAPPING 5*16	SCREW TAPPING 5*16	3	



F03

Tube Handlebar

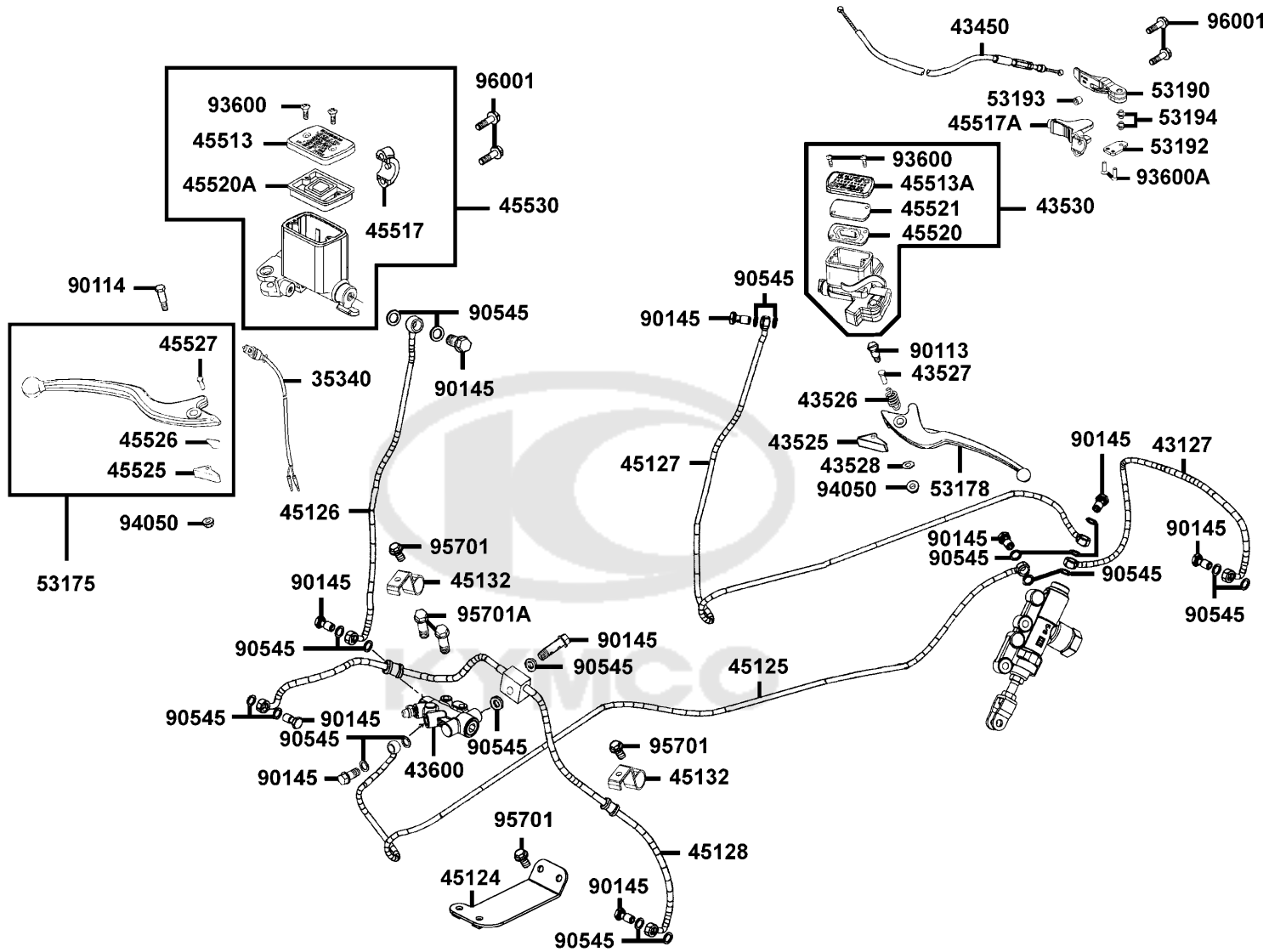


Sales mark	Ref no	Part no	Description	Reg description	Regd no	F03
	17910	17910-LFA5-E00	CABLE COMP THROT	CABLE COMP THROT	1	
	32161	32161-4D04-001	BAND BI WIRE	BAND BI WIRE	2	
	3515A	3515A-LDB5-E00	SW & THROT ASSY RH HNDL	SW & THROT ASSY RH HNDL	1	
	3520A	3520A-LDB5-E00	SW ASSY HANDLE COMP	SW ASSY HANDLE COMP	1	
	53100	53100-LFA5-E00	TUBE HANDLEBAR	TUBE HANDLEBAR	1	
	53102	53102-LGC3-E00	STAY HANDLE COVER	STAY HANDLE COVER	1	
	53104	53104-PWB1-900	PLUG HANDLEBAR	PLUG HANDLEBAR	2	
	53105	53105-PWB1-900	END HANDLEBAR-BLACK	END HANDLEBAR-BLACK	2	
	53131	53131-PWB1-900	CAP STEERING ADJUSTER	CAP STEERING ADJUSTER	2	
	53166	53166-PWB1-900	GRIP HANDLEBAR	GRIP HANDLEBAR	2	
**	53205	53205-LKK7-E00	COVER HANDLE	COVER HANDLE	1	
**	53205	53205-LKK7-EV0	COVER HANDLE	COVER HANDLE	1	
	88110	88110-LBA7-E00	MIRROR ASSY R BACK	MIRROR ASSY R BACK	1	
	88120	88120-LBA7-E00	MIRROR ASSY L BACK	MIRROR ASSY L BACK	1	
	90110	90110-PWA2-900	BOLT SPECIAL 6*16	BOLT SPECIAL 6*16	2	
	90185	90185-PWB1-900	SOCKET BOLT 8x45	SOCKET BOLT 8x45	2	
	90652	90652-LCA4-E00	CLIP MUDGUARD	CLIP MUDGUARD	2	
	94101	94101-08600	WASH PLAIN 8MM	WASH PLAIN 8MM	2	
	95801	95801-08055-06	BOLT FLANGE 8*55	BOLT FLANGE 8*55	1	



Sales mark	Ref no	Part no	Description	Reg description	Regd no	<b>F04</b>
35340		35340-LDB5-900	SW ASSY FR STOP	SW ASSY FR STOP	1	
43127		43127-LFA5-E00	HOSE BRAKE SECONDARY	HOSE BRAKE SECONDARY	1	
43450		43450-LFA5-E00	CABLE PARKING BRAKE	CABLE PARKING BRAKE	1	
43525		43525-PWA1-900	LEVER PARKING	LEVER PARKING	1	
43526		43526-PWA1-900	SPRING RETURN	SPRING RETURN	1	
43527		43527-PWA1-900	PIN	PIN	1	
43528		43528-PWA1-900	CLIP	CLIP	1	
43530		43530-LFA5-306	CYLINDER SET RR MASTER	CYLINDER SET RR MASTER	1	
43600		43600-LDB5-E00	PGV ASSY	PGV ASSY	1	
45124		45124-PWB1-E00	STAY PGV	STAY PGV	1	
45125		45125-LFA5-E00	HOSE BRAKE-JUNCTION/DIRM	HOSE BRAKE-JUNCTION/DIRM	1	
45126		45126-LFA5-E00	HOSE ASSY FR BRK/855MM	HOSE ASSY FR BRK/855MM	1	
45127		45127-LFA5-E00	HOSE BRAKE LH M/C-FOOT M/C	HOSE BRAKE LH M/C-FOOT M/C	1	
45128		45128-LFA5-E01	HOSE FR BRK	HOSE FR BRK	1	
45132		45132-LBA7-900	CLAMPER FR BRAKE HOSE	CLAMPER FR BRAKE HOSE	2	
45513		45513-KKC4-900	CAP M/C	CAP M/C	1	
45513A		45513-LEA7-E00	CAP MASTER CYLINDER	CAP MASTER CYLINDER	1	
45517		45517-KFAF-910	HOLDER M/C	HOLDER M/C	1	
45517A		45517-LDE9-E00	HOLDER	HOLDER	1	
45520		45520-KKA8-900	DIAPHRAGM	DIAPHRAGM	1	

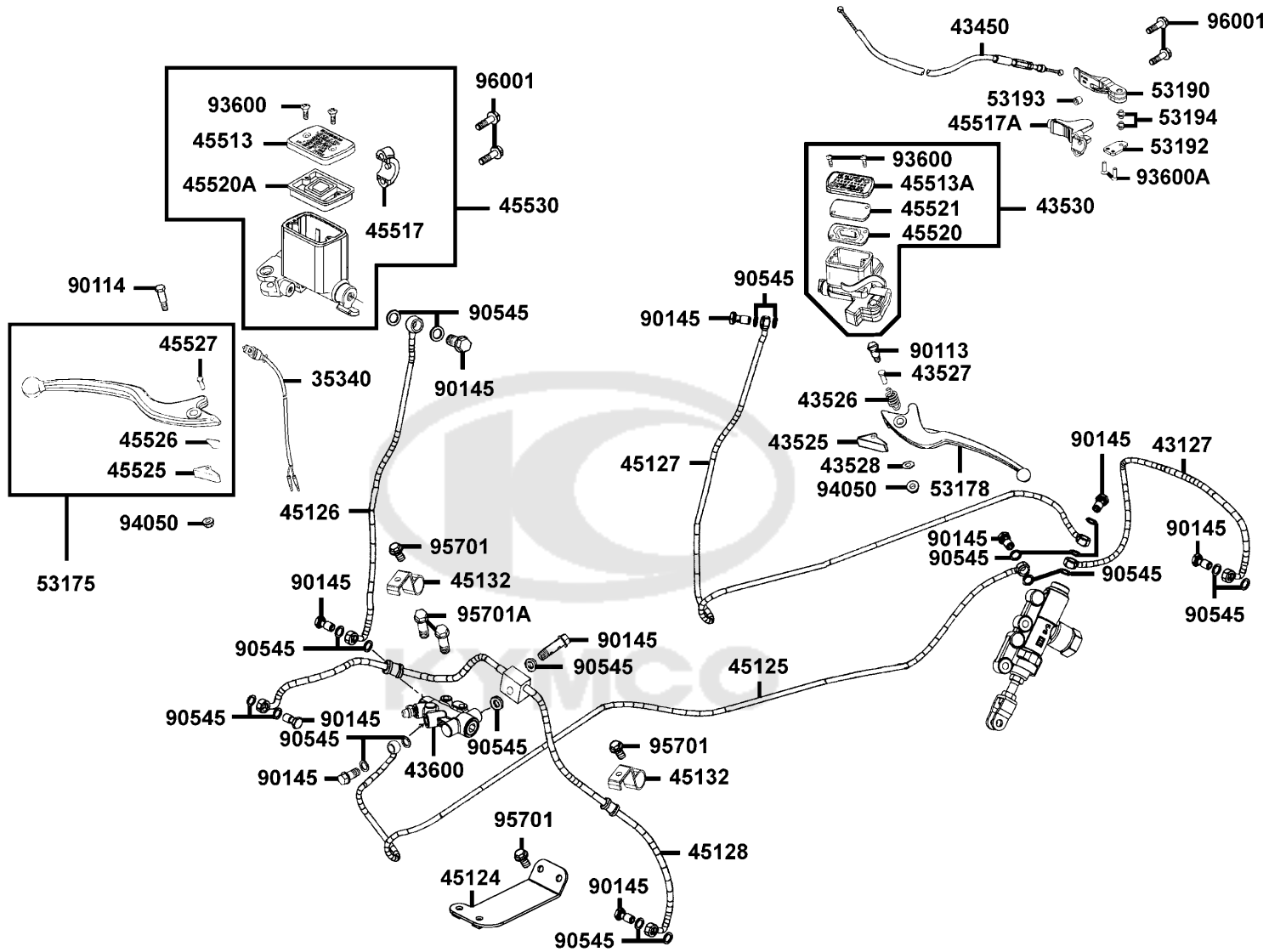
Master Cylinder



Sales mark	Ref no	Part no	Description	Reg description	Regd no	F04
	45520A	45520-KKC4-900	DIAPHRAGM	DIAPHRAGM	1	
	45521	45521-LEA7-E00	PLATE DIAPHRAGM	PLATE DIAPHRAGM	2	
	45525	45525-LBA7-900	STOPPER	STOPPER	1	
	45526	45526-LBA7-900	SPRING	SPRING	1	
	45527	45527-LBA7-900	PIN PARK	PIN PARK	1	
	45530	45530-LDB5-305	CYLINDER SET FR	CYLINDER SET FR	1	
	53175	53175-LFA5-305	LEVER SET BRK	LEVER SET BRK	1	
	53178	53178-PWA1-900	LEVER L STRG HANDLE	LEVER L STRG HANDLE	1	
	53190	53190-LDE9-E00	LEVER	LEVER	1	
	53192	53192-LDE9-E00	BRACKET	BRACKET	1	
	53193	53193-LDE9-E00	STOPPER	STOPPER	1	
	53194	53194-LDE9-E00	PIVOT	PIVOT	2	
	90113	90113-KKA8-900	BOLT L STEERING HANDLE	BOLT L STEERING HANDLE	1	
	90114	90114-1F66-007	BOLT HANDLE LEVER	BOLT HANDLE LEVER	1	
	90145	90145-LEA3-E00	OIL BOLT 10*22	OIL BOLT 10*22	1	
	90545	90545-3L00-001	WASHER OIL BOLT	WASHER OIL BOLT	21	
	93600	93600-04012-1G	SCREW FLAT 4*12	SCREW FLAT 4*12	4	
	93600A	93600-LDE9-E00	SCREW FLAT M6	SCREW FLAT M6	2	
	94050	94050-06060	NUT FLANGE 6MM	NUT FLANGE 6MM	2	
	95701	95701-06012-06	BOLT FLANGE 6*12 **07 C.2005.07.01	BOLT FLANGE 6X12	3	



Master Cylinder



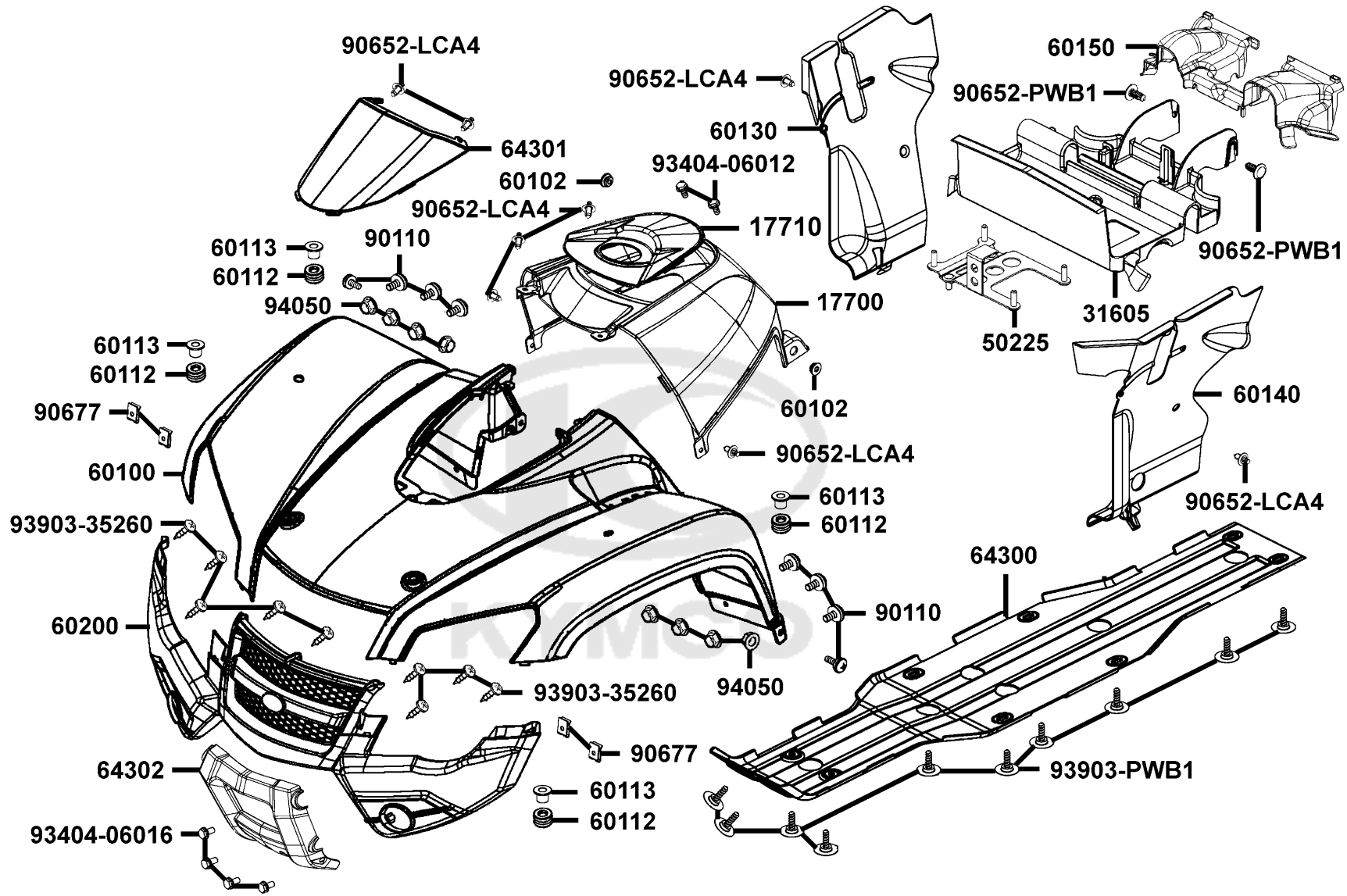
Sales mark	Ref no	Part no	Description	Reg description	Regd no	<b>F04</b>
------------	--------	---------	-------------	-----------------	---------	------------

	95701A	95701-06040-06	BOLT FLANGE 6*40	BOLT FLANGE 6*40	2	
	96001	96001-06022-06	BOLT FLANGE SH 6*22 (G)	BOLT FLANGE SH 6X22	4	



F05

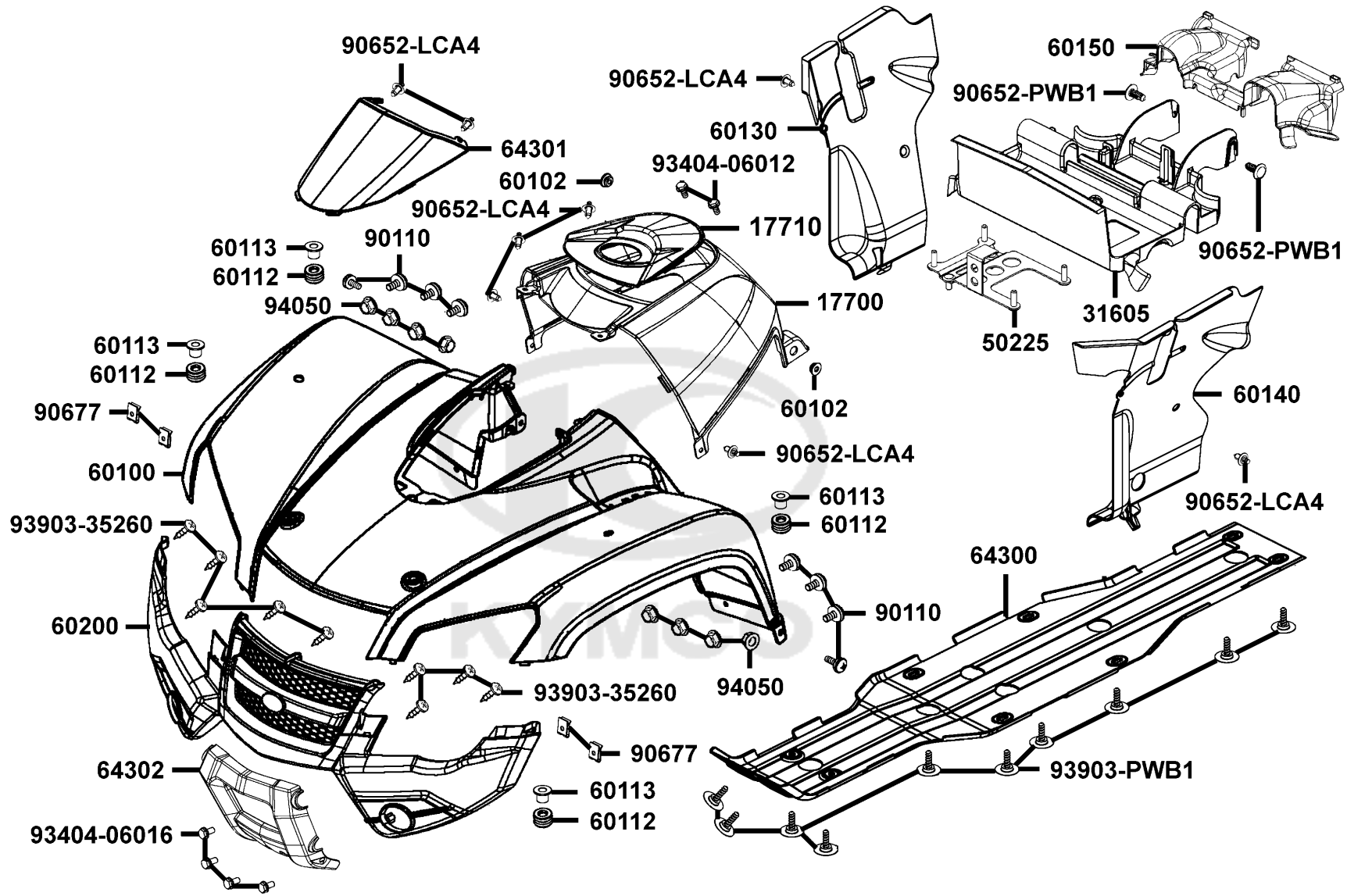
Fender Front



Sales mark	Ref no	Part no	Description	Reg description	Regd no	F05
**	17700	17700-LKK7-E00	COVER TANK	COVER TANK	1	
**	17710	17710-LKK7-E00	CAP TANK COVER	CAP TANK COVER	1	
**	31605	31605-PRB2-900	TRAY ELECTRICAL	TRAY ELECTRICAL	1	
	50225	50225-PRB2-900	STAY ECU	STAY ECU	1	
**	60100	60100-LFA5-E00	FENDER FRONT	FENDER FRONT	1	
	60102	60102-PWB1-900	GROMMET PANEL-SIDE	GROMMET PANEL-SIDE	2	
	60112	60112-PWB1-900	GROMMET	GROMMET	4	
	60113	60113-PWB1-900	SPACER STELL	SPACER STELL	4	
**	60130	60130-LGC7-E00	PANEL.SPLASH RIGHT	PANEL.SPLASH RIGHT	1	
**	60140	60140-LGC7-E00	PANEL SPLASH LEFT	PANEL SPLASH LEFT	1	
**	60150	60150-LFA5-E01	COVER WATERPROOF	COVER WATERPROOF	1	
**	60200	60200-LFA5-E00	MUDGUARD FRONT	MUDGUARD FRONT	1	
**	64300	64300-PWB1-910	PLATE SKID	PLATE SKID	1	
**	64301	64301-LFA5-E00	COVER FRONT	COVER FRONT	1	
**	64302	64302-LFA5-E01	BUMPER FRONT	BUMPER FRONT	1	
	90110	90110-PWB1-900	SCREW SPECIAL 6X20	SCREW SPECIAL 6X20	8	
	90652-LCA4	90652-LCA4-E00	CLIP MUDGUARD	CLIP MUDGUARD	8	
	90652-PWB1	90652-PWB1-900	X'MAS TREE CLIP	X'MAS TREE CLIP	2	
	90677	90677-GAR1-004	NUT CLIP 5MM	NUT CLIP 5MM	4	
	93404-06012	93404-06012-06	BOLT WASHER 6*12 (G)	BOLT WASHER 6X12	2	

F05

Fender Front



Sales mark	Ref no	Part no	Description	Reg description	Regd no	<b>F05</b>
------------	--------	---------	-------------	-----------------	---------	------------

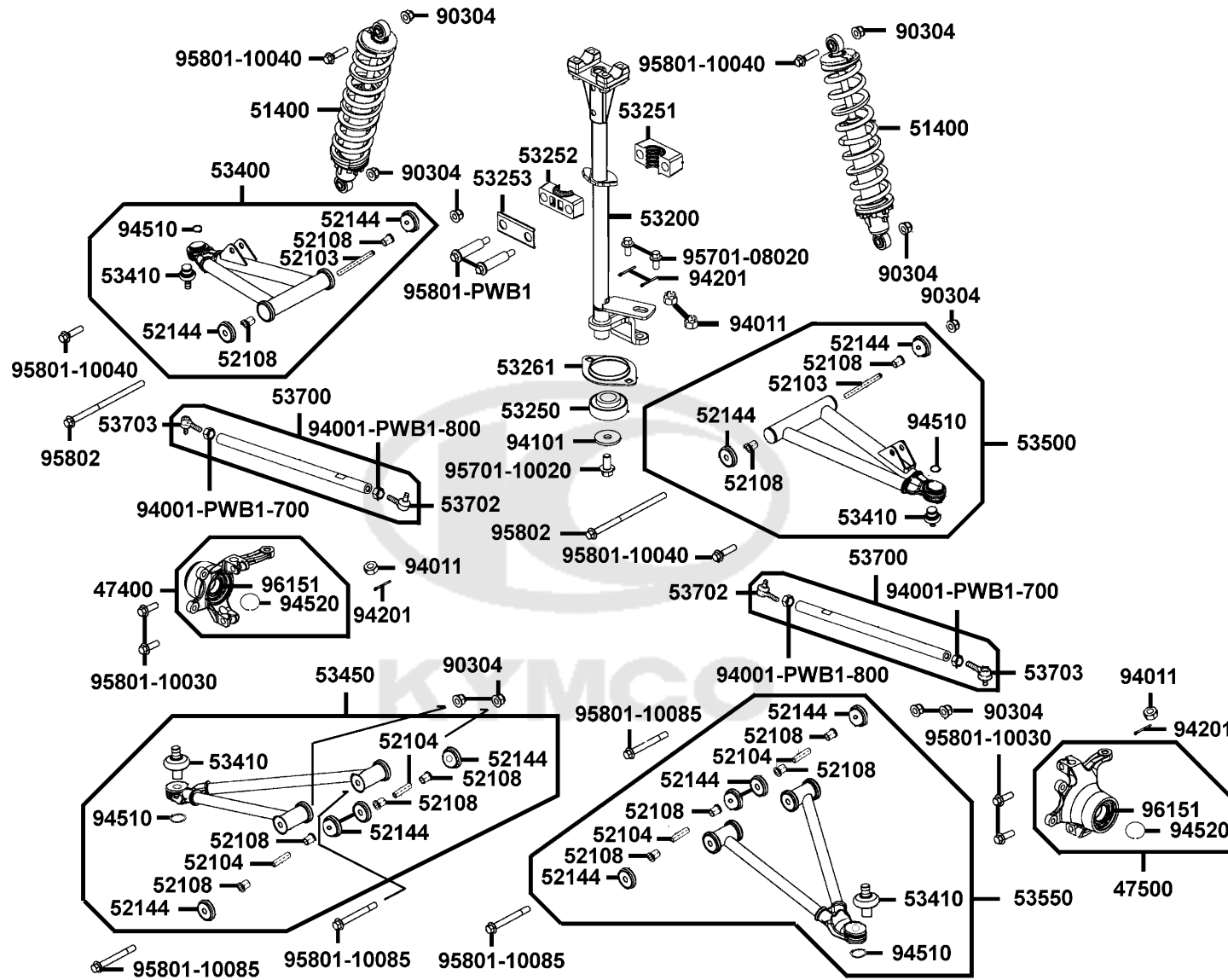
93404-06016		93404-06016-06	BOLT WASHER 6*16	BOLT WASHER 6*16	4	
93903-35260		93903-35260	SCREW TAPPING 5*12	SCREW TAPPING 5*12	9	
93903-PWB1		93903-PWB1-900	SCREW BODY-SELF TAP #12x3/4 A	SCREW BODY-SELF TAP #12x3/4 A	10	
94050		94050-LDE9-E00	NUT LOCK	NUT LOCK	8	





Sales mark	Ref no	Part no	Description	Reg description	Regd no	F06
	47400	47400-PWB1-900	KNUCKLE STEERING-RH ASSEMBLY	KNUCKLE STEERING-RH ASSEMBLY	1	
	47500	47500-PWB1-900	KNUCKLE STEERING-LH ASSEMBLY	KNUCKLE STEERING-LH ASSEMBLY	1	
**	51400	51400-PWB1-900	CUSHION ASSY FR	CUSHION ASSY FR	2	
	52103	52103-PWB1-900	SLEEVE SUSPENSION	SLEEVE SUSPENSION	2	
	52104	52104-PWB1-900	SLEEVE SUSPENSION	SLEEVE SUSPENSION	4	
	52108	52108-PWB1-900	BUSHING SUSPENSION	BUSHING SUSPENSION	12	
	52144	52144-PWB1-900	SEAL SUSPENSION	SEAL SUSPENSION	12	
	53200	53200-LFA5-E00	POST STEERING	POST STEERING	1	
	53250	53250-PWB1-900	BEARING STEERING-LOW SPEED	BEARING STEERING-LOW SPEED	1	
	53251	53251-PWB1-900	HOUSING LOWER	HOUSING LOWER	1	
	53252	53252-PWB1-900	HOUSING UPPER	HOUSING UPPER	1	
	53253	53253-PWB1-900	CAP HOUSING	CAP HOUSING	1	
	53261	53261-PWB1-900	FLANGE BEARING-TWO MTG HOLE	FLANGE BEARING-TWO MTG HOLE	1	
**	53400	53400-PRB1-900	A-ARM FRONT-UPPER-RH-ASSY	A-ARM FRONT-UPPER-RH-ASSY	1	
**	53400	53400-PWB1-900	A-ARM FRONT-UPPER-RH/LH-ASSY	A-ARM FRONT-UPPER-RH/LH-ASSY	1	
	53410	53410-PRB1-900	BALL JOINT ASSY	BALL JOINT ASSY	1	
**	53450	53450-PWB1-900	A-ARM FRONT LOWER RH/LH ASSY	A-ARM FRONT LOWER RH/LH ASSY	1	
**	53500	53500-PRB1-900	A-ARM FRONT-UPPER-LH-ASSY	A-ARM FRONT-UPPER-LH-ASSY	1	
**	53500	53500-PWB1-900	A-ARM. FRONT-UPPER-RH/LH-ASSY	A-ARM. FRONT-UPPER-RH/LH-ASSY	1	
**	53550	53550-PWB1-900	A-ARM FRONT LOWER RH/LH ASSY	A-ARM FRONT LOWER RH/LH ASSY	1	

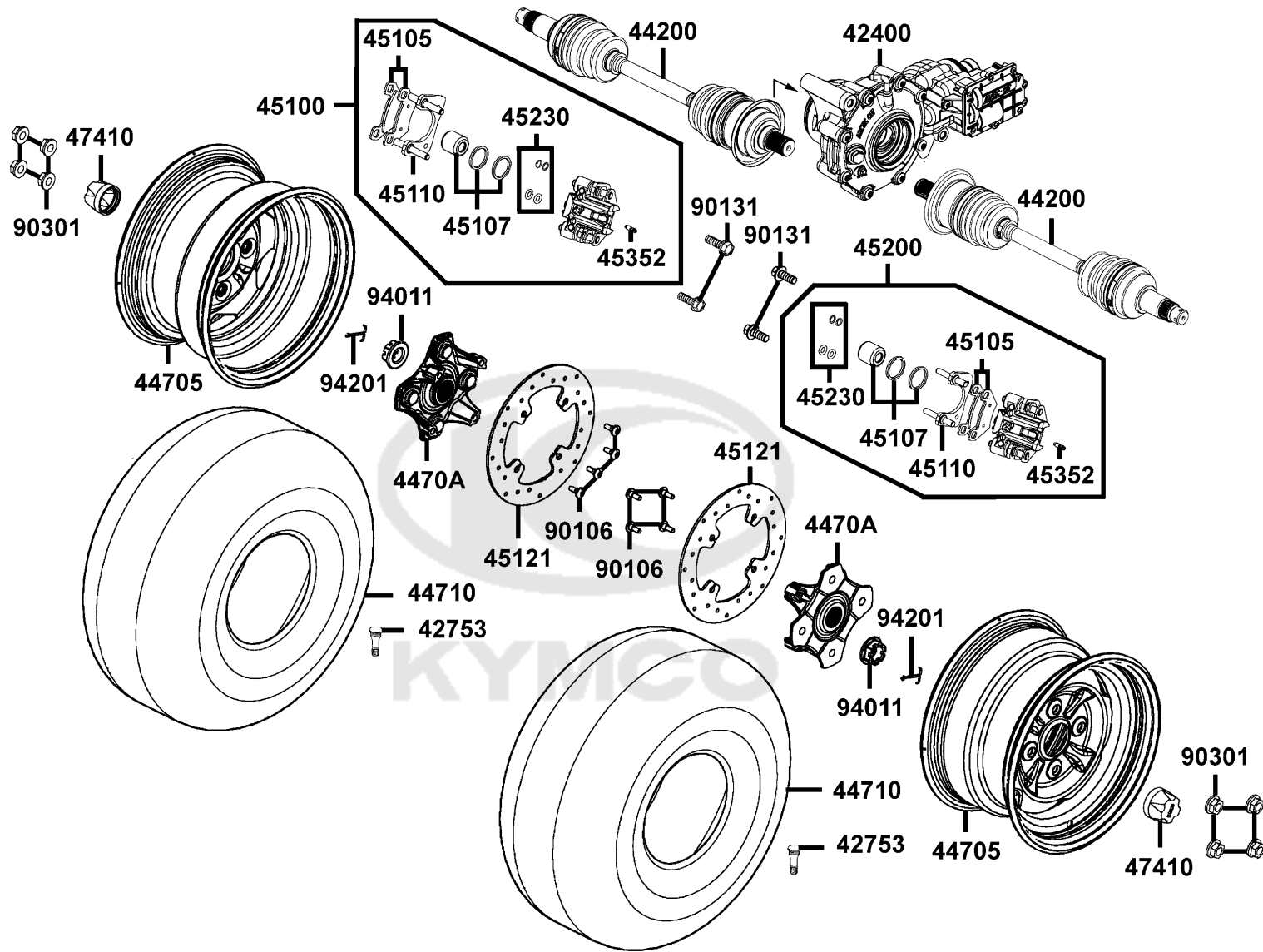




Sales mark	Ref no	Part no	Description	Reg description	Regd no	F06
	53700	53700-PWB1-900	TIE ROD -ASSY	TIE ROD -ASSY	2	
	53702	53702-PWB1-900	JOINT R BALL	JOINT R BALL	2	
	53703	53703-PWB1-900	JOINT L BALL	JOINT L BALL	2	
	90304	90304-GLW0-90A	NUT U FLANGE 10MM	NUT U FLANGE 10MM	10	
	94001-PWB1-700	94001-PWB1-700	NUT HEX LH 10MM	NUT HEX LH 10MM	2	
	94001-PWB1-800	94001-PWB1-800	NUT HEX 10MM	NUT HEX 10MM	2	
	94011	94011-LKA8-E00	NUT CASTLE 10MM	NUT CASTLE 10MM	4	
	94101	94101-PWB1-900	WASHER FLAT	WASHER FLAT	1	
	94201	94201-25250	PIN SPLIT 2.5*25	PIN SPLIT 2.5*25	4	
	94510	94510-PWB1-900	CIRCLIP EX 29	CIRCLIP EX 29	4	
	94520	94520-55000	CIR CLIP IN 55	CIR CLIP IN 55	2	
	95701-08020	95701-08020-06	BOLT FLANGE 8*20MM **07 C.2005.07.01	BOLT FLANGE 8*20MM **07 C.2005.07.01	2	
	95701-10020	95701-10020-06	BOLT FLANGE 10*20	BOLT FLANGE 10*20	1	
	95801-10030	95801-10030-06	BOLT FLANGE 10X30	BOLT FLANGE 10X30	4	
	95801-10040	95801-10040-06	BOLT FLANGE 10X40	BOLT FLANGE 10X40	1	
	95801-10085	95801-10085-06	BOLT FLANGE 10*85	BOLT FLANGE 10*85	4	
	95801-PWB1	95801-PWB1-900	SCREW SHOULDER-HFH M8	SCREW SHOULDER-HFH M8	2	
	95802	95802-PWB1-900	SCREW, CAP-HFH M10x1.25	SCREW, CAP-HFH M10x1.25	2	
	96151	96151-PWB1-900	BEARING WHEEL	BEARING WHEEL	2	

F07

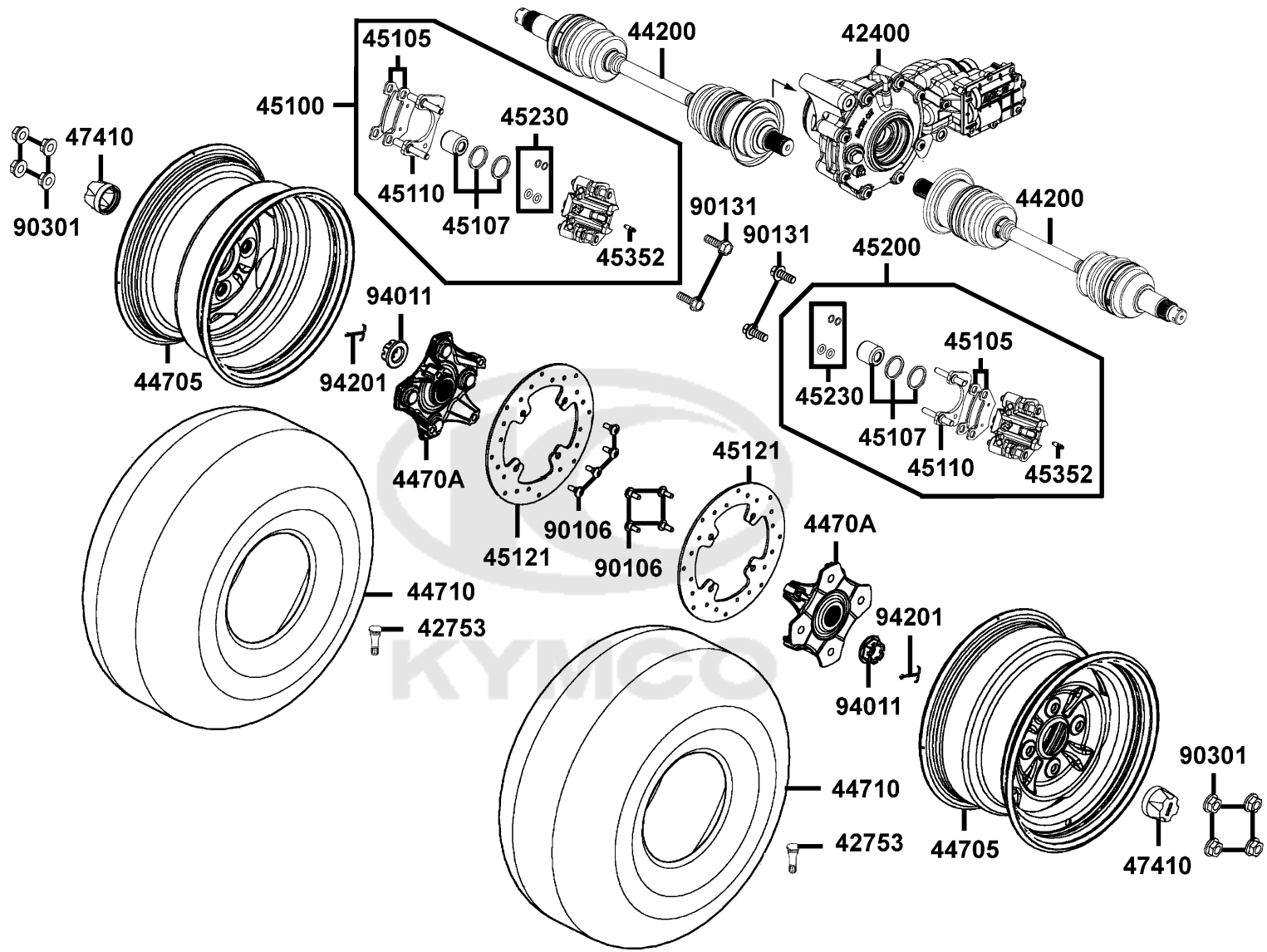
Front Wheel



Sales mark	Ref no	Part no	Description	Reg description	Regd no	F07
	42400	42400-LGC3-900	GEARCASE FRONT (3.1) ASSEMBLY	GEARCASE FRONT (3.1) ASSEMBLY	1	
	42753	42753-KNBN-90B	VALAE RIM (TR412)	VALAE RIM (TR412)	2	
	44200	44200-LGC3-900	HALFSHAFT FRONT	HALFSHAFT FRONT	2	
**	44705	44705-LFA5-900	RIM COMP WHEEL	RIM COMP WHEEL	2	
**		44705-LKK7-E00	RIM COMP WHEEL	RIM COMP WHEEL	4	
	4470A	4470A-LFA5-E00	HUB ASSEMBLY	HUB ASSEMBLY	2	
	44710	44710-LFA5-E00	TIRE ASSY FR AT24*8-12 4P TL /KENDA	TIRE ASSY FR AT24*8-12 4P TL /KENDA	2	
	45100	45100-PWB1-600	CALIPER BRAKE RH	CALIPER BRAKE RH	1	
	45105	45105-PWB1-306	BRAKE PADS	BRAKE PADS	2	
	45107	45107-PWB1-305	PISTON AND SEALS	PISTON AND SEALS	2	
	45110	45110-PWB1-305	MOUNT BRACKET ASSEMBLS	MOUNT BRACKET ASSEMBLS	2	
	45121	45121-PWB1-900	DISK BRAKE	DISK BRAKE	2	
	45200	45200-PWB1-600	CALIPER BRAKE LH	CALIPER BRAKE LH	2	
	45230	45230-PWB1-305	GUIDE O RINGS	GUIDE O RINGS	2	
	45352	45352-PWB1-305	BLEEDER	BLEEDER	2	
	47410	47410-LDB5-E00	CAP WHEEL SHAFT	CAP WHEEL SHAFT	2	
	90106	90106-PWB1-900	BOLT SHOULDER	BOLT SHOULDER	8	
	90131	90131-LDB5-E00	BOLT FLANGE 8*20	BOLT FLANGE 8*20	4	
	90301	90301-PWB1-900	NUT LUG-M10 (60 DEG)	NUT LUG-M10 (60 DEG)	8	
	94011	94011-PWB1-900	NUT CASTLE FLANGE M22x1.5	NUT CASTLE FLANGE M22x1.5	2	

F07

Front Wheel



Sales mark	Ref no	Part no	Description	Reg description	Regd no	<b>F07</b>
------------	--------	---------	-------------	-----------------	---------	------------

94201

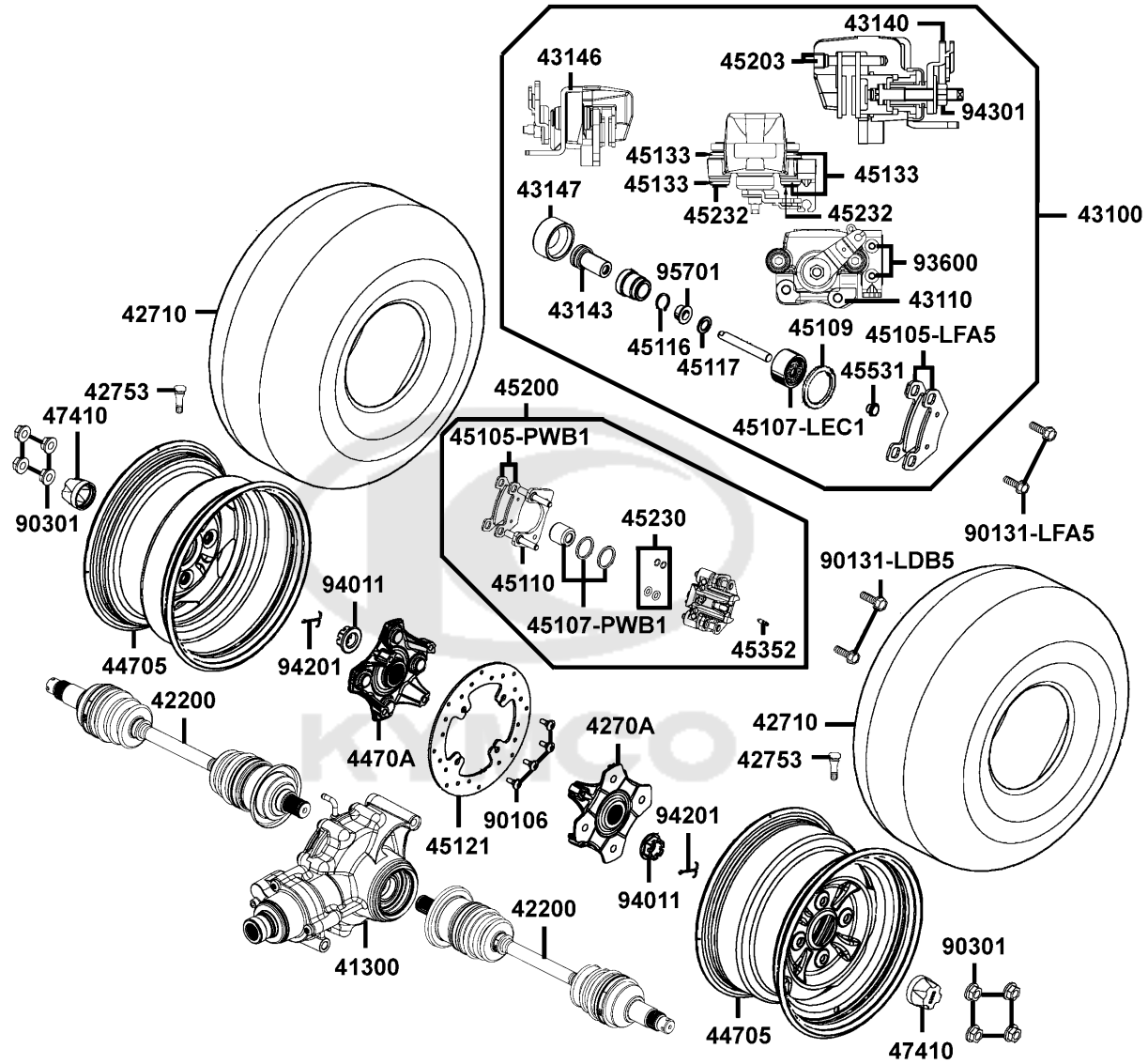
94201-30400

PIN SPLIT 3\*40

PIN SPLIT 3\*40

2





Sales mark	Ref no	Part no	Description	Reg description	Regd no	F08
	41300	41300-LGC3-900	GEARCASE REAR(3.1) ASSEMBLY	GEARCASE REAR(3.1) ASSEMBLY	1	
	42200	42200-LGC3-900	HALFSHAFT. REAR	HALFSHAFT. REAR	2	
	4270A	4270A-LFA5-E00	HUB ASSEMBLY	HUB ASSEMBLY	1	
	42710	42710-LFA5-E00	TIRE ASSY RR AT24*10-12 4P TL /KENDA	TIRE ASSY RR AT24*10-12 4P TL /KENDA	2	
	42753	42753-KNBN-90B	VALAE RIM (TR412)	VALAE RIM (TR412)	2	
**	43100	43100-LFA5-E00	CALIPER ASSY REAR	CALIPER ASSY REAR	1	
	43110	43110-LFA5-E00	BRACKET CALIPER	BRACKET CALIPER	1	
	43140	43140-LEC1-E00	ARM BRAKE	ARM BRAKE	1	
	43143	43143-LEC1-E00	BOLT DRIVE	BOLT DRIVE	1	
	43146	43146-LEC1-E00	BRACKET CABLE	BRACKET CABLE	1	
	43147	43147-LEC1-E00	CAP	CAP	1	
**	44705	44705-LKK7-E00	RIM COMP WHEEL	RIM COMP WHEEL	4	
	4470A	4470A-LFA5-E00	HUB ASSEMBLY	HUB ASSEMBLY	1	
	45105-LFA5	45105-LFA5-305	PAD ASSY	PAD ASSY	1	
	45105-PWB1	45105-PWB1-306	BRAKE PADS	BRAKE PADS	2	
	45107-LEC1	45107-LEC1-E00	PISTON	PISTON	1	
	45107-PWB1	45107-PWB1-305	PISTON AND SEALS	PISTON AND SEALS	2	
	45109	45109-LEC1-E00	SEAL DUST	SEAL DUST	1	
	45110	45110-PWB1-305	MOUNT BRACKET ASSEMBLS	MOUNT BRACKET ASSEMBLS	1	
	45116	45116-LEC1-E00	CLIP	CLIP	1	

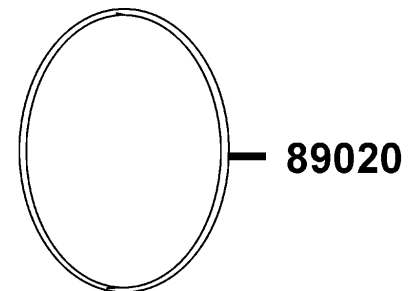
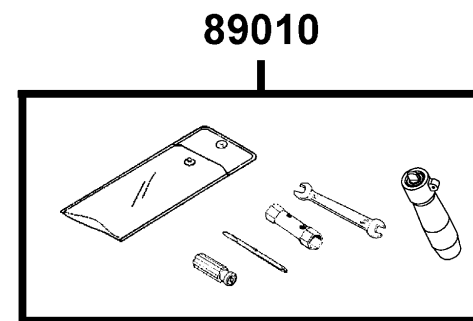
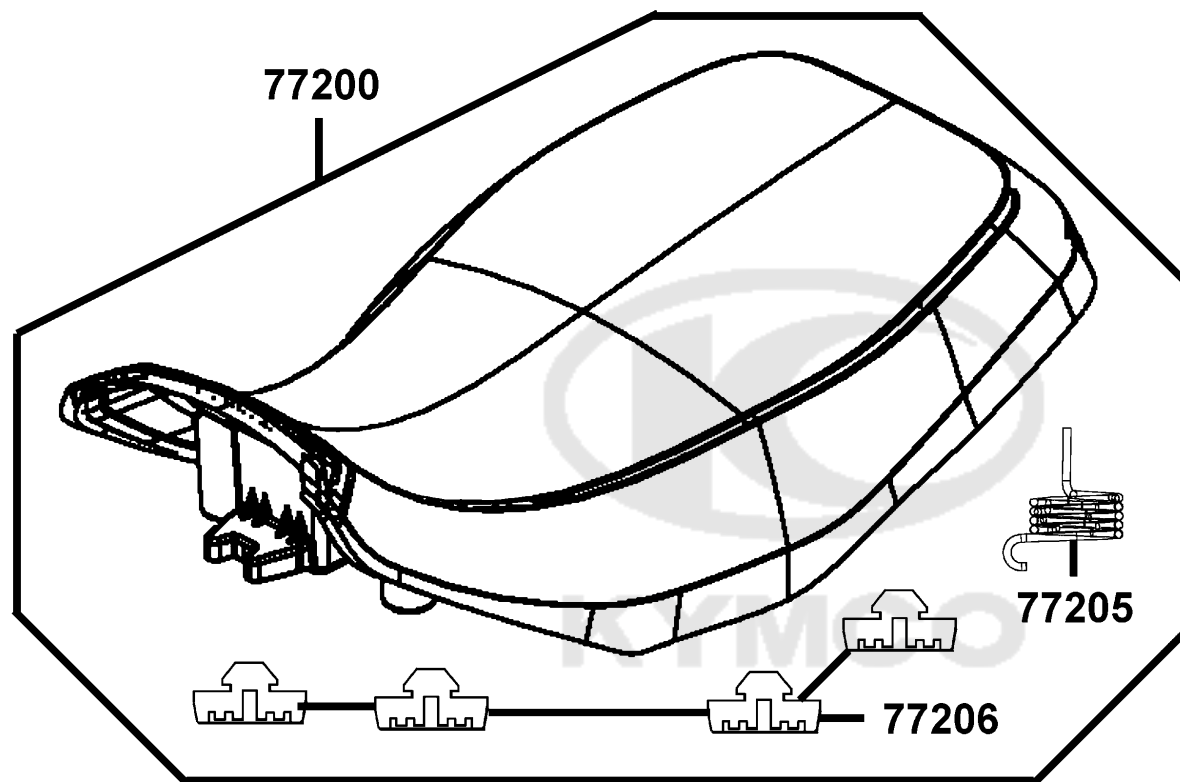




Sales mark	Ref no	Part no	Description	Reg description	Regd no	F08
	45117	45117-LEC1-E00	WASHER	WASHER	1	
	45121	45121-PWB1-900	DISK BRAKE	DISK BRAKE	1	
	45133	45133-LEC1-E00	BOOT	BOOT	4	
	45200	45200-PWB1-600	CALIPER BRAKE LH	CALIPER BRAKE LH	2	
	45203	45203-LEC1-E00	PIN HANGER	PIN HANGER	2	
	45230	45230-PWB1-305	GUIDE O RINGS	GUIDE O RINGS	1	
	45232	45232-LEC1-E00	PIN BOLT	PIN BOLT	2	
	45352	45352-PWB1-305	BLEEDER	BLEEDER	1	
	45531	45531-LEC1-E00	PLUG	PLUG	1	
	47410	47410-LDB5-E00	CAP WHEEL SHAFT	CAP WHEEL SHAFT	2	
	90106	90106-PWB1-900	BOLT SHOULDER	BOLT SHOULDER	4	
	90131-LDB5	90131-LDB5-E00	BOLT FLANGE 8*20	BOLT FLANGE 8*20	2	
	90131-LFA5	90131-LFA5-E00	BOLT FLANGE 8X22	BOLT FLANGE 8X22	2	
	90301	90301-PWB1-900	NUT LUG-M10 (60 DEG)	NUT LUG-M10 (60 DEG)	8	
	93600	93600-LEC1-E00	SCREW FLAT 6MM	SCREW FLAT 6MM	2	
	94011	94011-PWB1-900	NUT CASTLE FLANGE M22x1.5	NUT CASTLE FLANGE M22x1.5	2	
	94201	94201-30400	PIN SPLIT 3*40	PIN SPLIT 3*40	2	
	94301	94301-08060	NUT HEC 8MM	NUT HEC 8MM	1	
	95701	95701-LEC1-E00	BOLT ADJUST	BOLT ADJUST	1	

F09

Seat



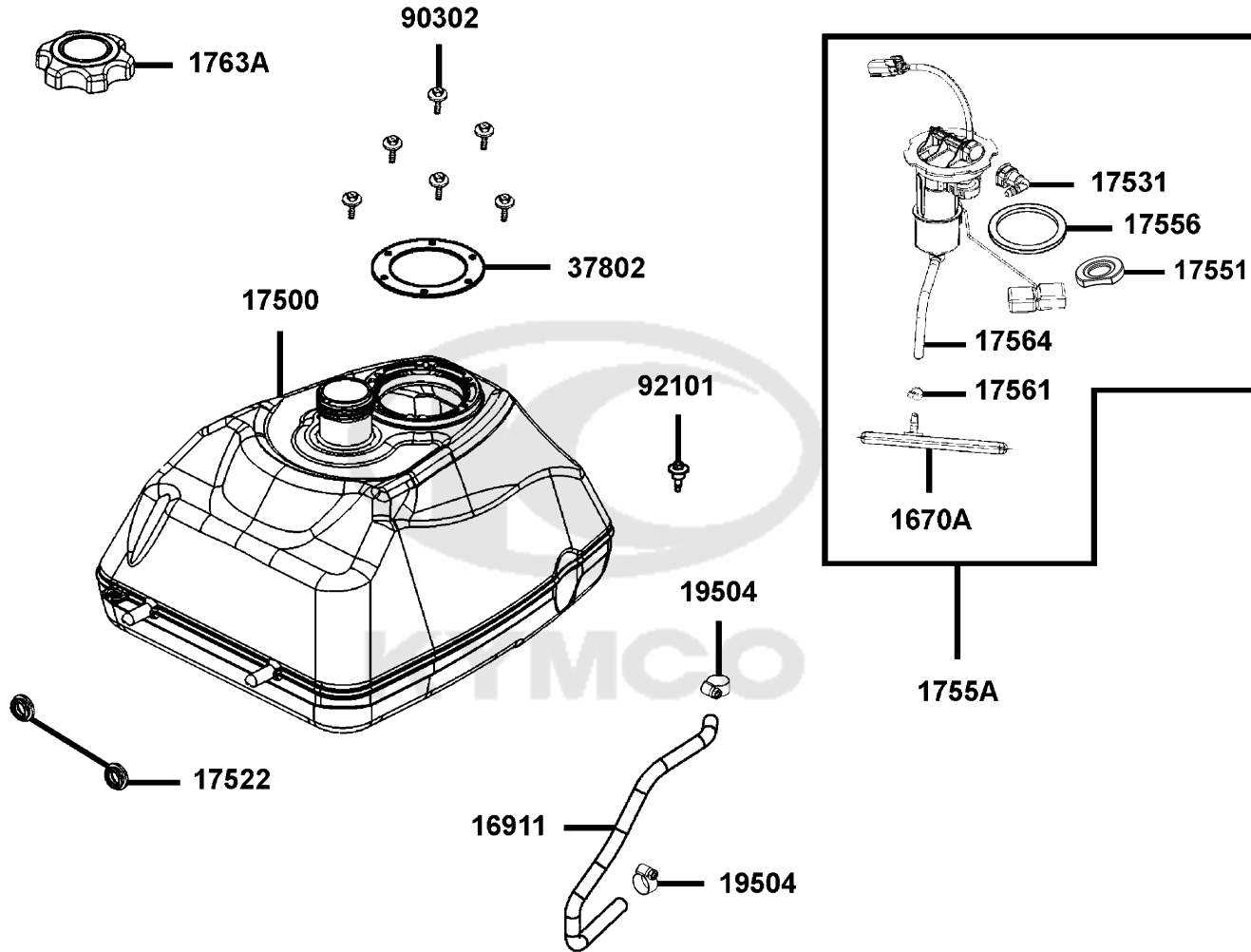
Sales mark	Ref no	Part no	Description	Reg description	Regd no	<b>F09</b>
------------	--------	---------	-------------	-----------------	---------	------------

**	77200	77200-LFA5-E00	SEAT ASSY	SEAT ASSY	1	
	77205	77205-PWB1-900	SPRING LATCH	SPRING LATCH	1	
	77206	77206-LBA7-900	RUBBER SEAT CUSH	RUBBER SEAT CUSH	4	
	89010	89010-PWB1-900	TOOL SET	TOOL SET	1	
	89020	89020-KKC4-900	BAND TOOL SET	BAND TOOL SET	1	

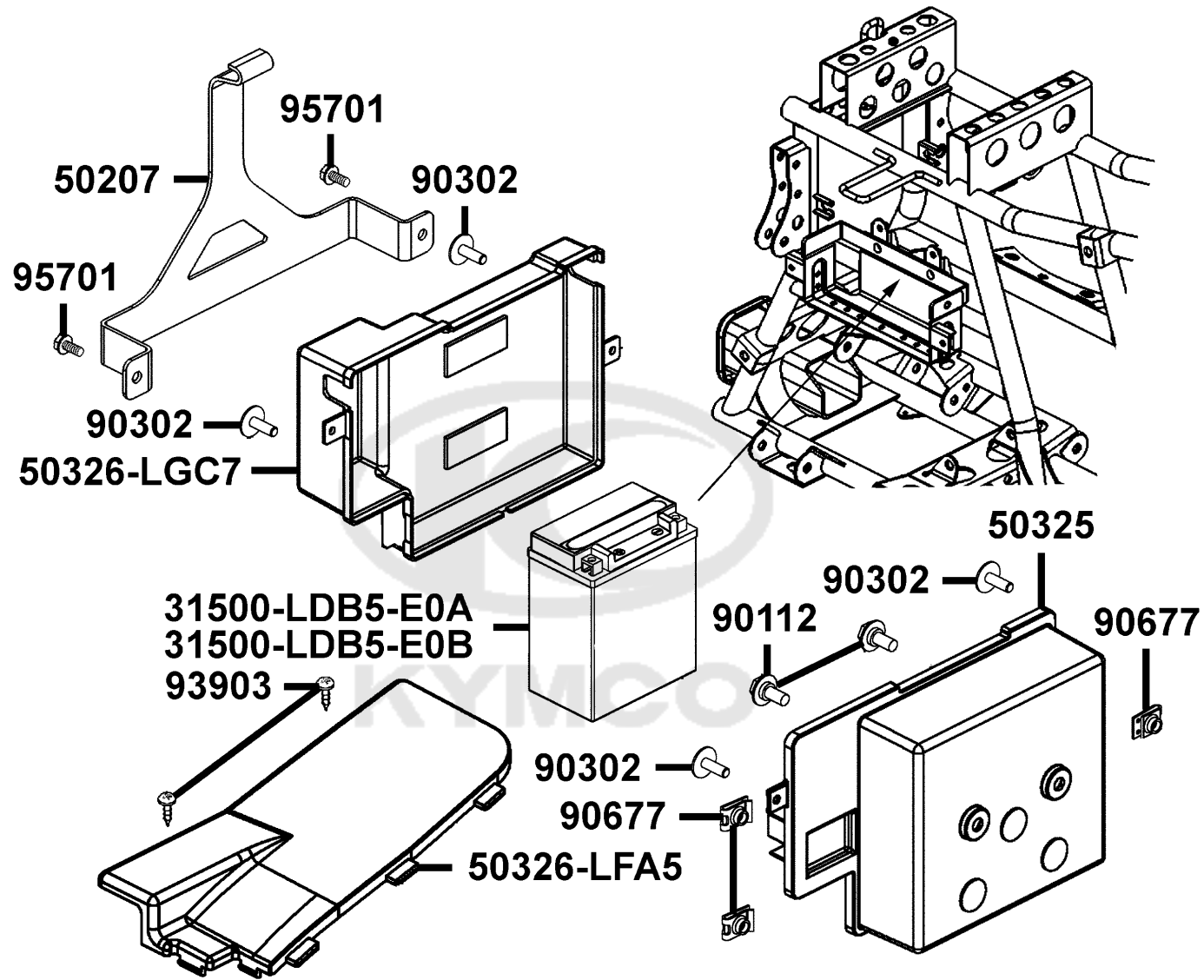


F10

Fuel Tank



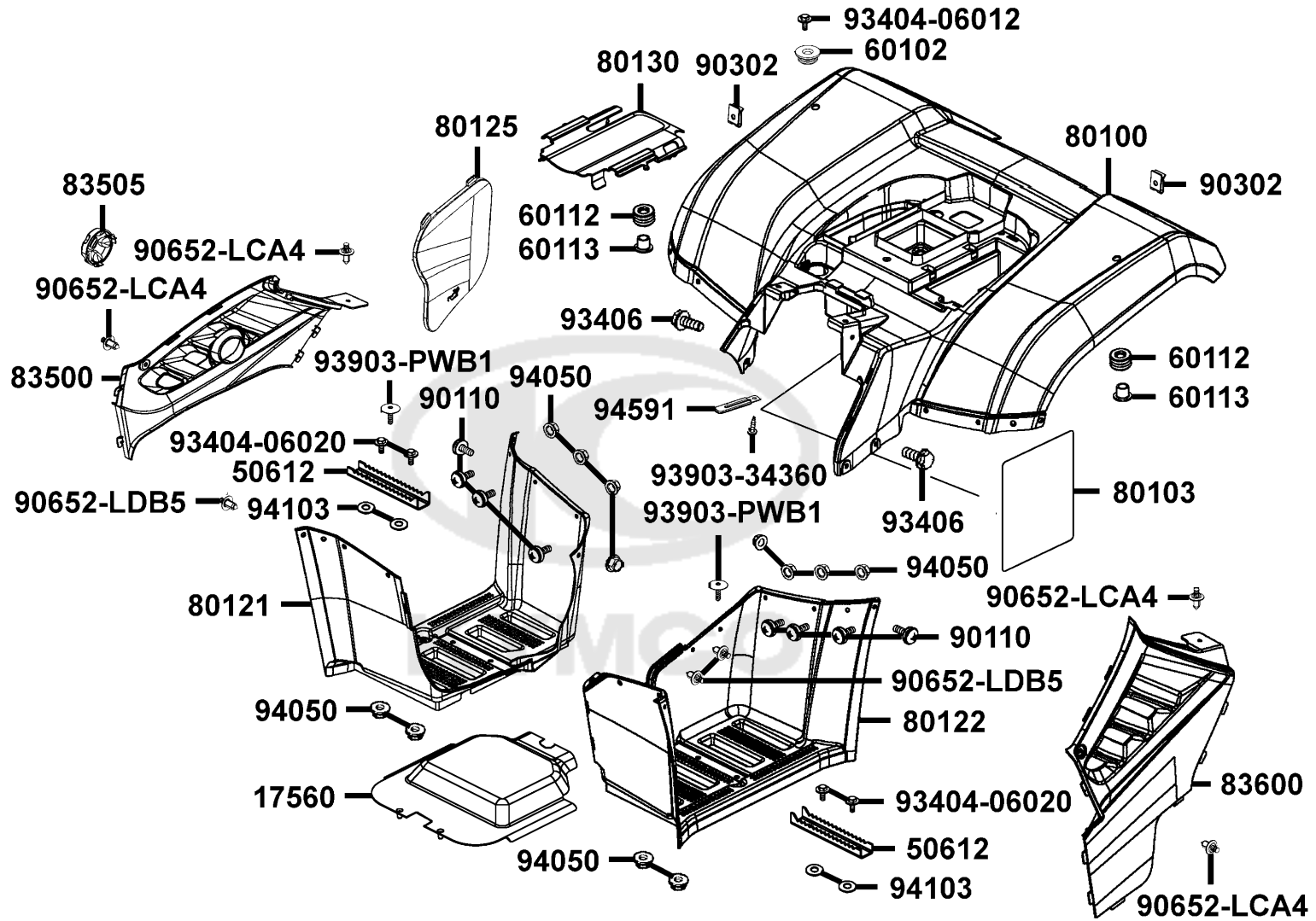
Sales mark	Ref no	Part no	Description	Reg description	Regd no	<b>F10</b>
1670A		1670A-PTA1-800	FUEL FILTER	FUEL FILTER	1	
16911		16911-LGC7-E00	TUBE FUEL INJECTOR	TUBE FUEL INJECTOR	1	
17500		17500-LGC3-E00	TANK COMP FUEL	TANK COMP FUEL	1	
17522		17522-PWB1-900	GROMMET FUEL TANK	GROMMET FUEL TANK	2	
17531		17531-LGC7-E00	CONNECTOR FUEL PUMP-90 DEGREE	CONNECTOR FUEL PUMP-90 DEGREE	1	
17551		17551-PTA1-800	PUMP REGULATOR STAY	PUMP REGULATOR STAY	1	
17556		17556-PTA1-800	FUEL PUMP SEAL	FUEL PUMP SEAL	1	
1755A		1755A-PTA1-800	FUEL PUMP ASSEMBLY	FUEL PUMP ASSEMBLY	1	
17561		17561-LKB9-900	CLIP 12.5	CLIP 12.5	2	
17564		17564-PTA1-800	TUBE FILTER	TUBE FILTER	1	
1763A		1763A-LGN5-MY0	CAP ASSY FUEL TANK	CAP ASSY FUEL TANK	1	
19504		19504-LBA2-E00	CLAMP D16.8	CLAMP D16.8	2	
37802		37802-LGC3-E00	MOUNT FUEL PUMP	MOUNT FUEL PUMP	1	
90302		90302-GFY6-940	BOLT-WASH 5*16	BOLT-WASH 5*16	6	
92101		92101-PWB1-900	SCREW FUEL TANK	SCREW FUEL TANK	1	



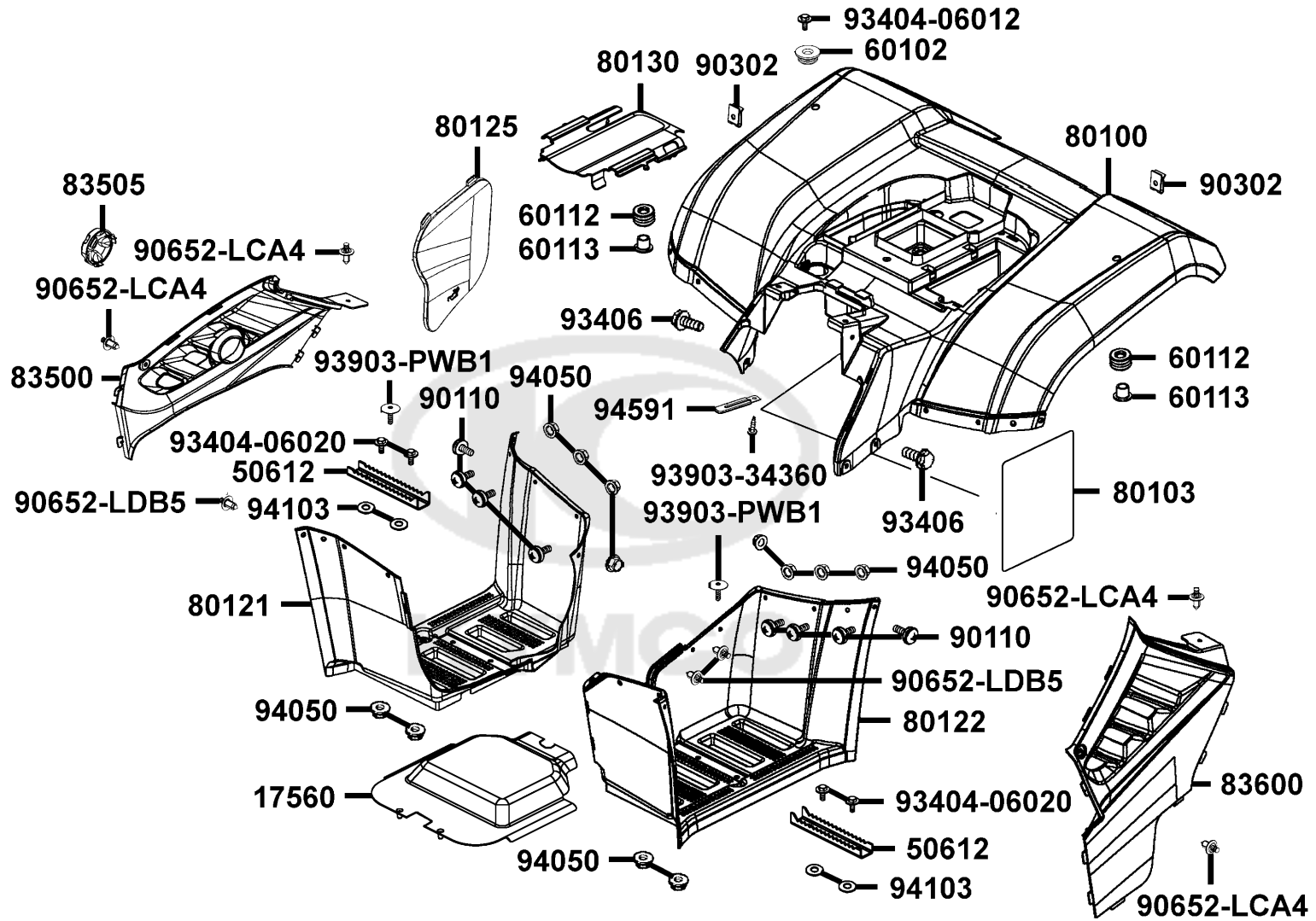
Sales mark	Ref no	Part no	Description	Reg description	Regd no	F11
	31500-LDB5-E0A	31500-LDB5-E0A	BATTERY YTX20L-BS	BATTERY YTX20L-BS	1	
	31500-LDB5-E0B	31500-LDB5-E0B	BATTERY GTX20L-BS	BATTERY GTX20L-BS	1	
	50207	50207-LGC7-E00	STAY BATTERY	STAY BATTERY	1	
**	50325	50325-LGC7-E00	CASE.BATTERY	CASE.BATTERY	1	
**	50326-LFA5	50326-LFA5-E00	COVER BATTERY	COVER BATTERY	1	
**	50326-LGC7	50326-LGC7-E00	COVER BATTERY	COVER BATTERY	1	
	90112	90112-KNBN-901	BOLT FLANGE 6MM	BOLT FLANGE 6MM	2	
	90302	90302-PWA1-900	BOLT-WASH 5*16	BOLT-WASH 5*16	4	
	90677	90677-GAR1-004	NUT CLIP 5MM	NUT CLIP 5MM	3	
	93903	93903-GFY6-900	SCREW TAPPING 4*14	SCREW TAPPING 4*14	2	
	95701	95701-06012-06	BOLT FLANGE 6*12 **07 C.2005.07.01	BOLT FLANGE 6X12	2	



Fender Rear Mudguard Floor

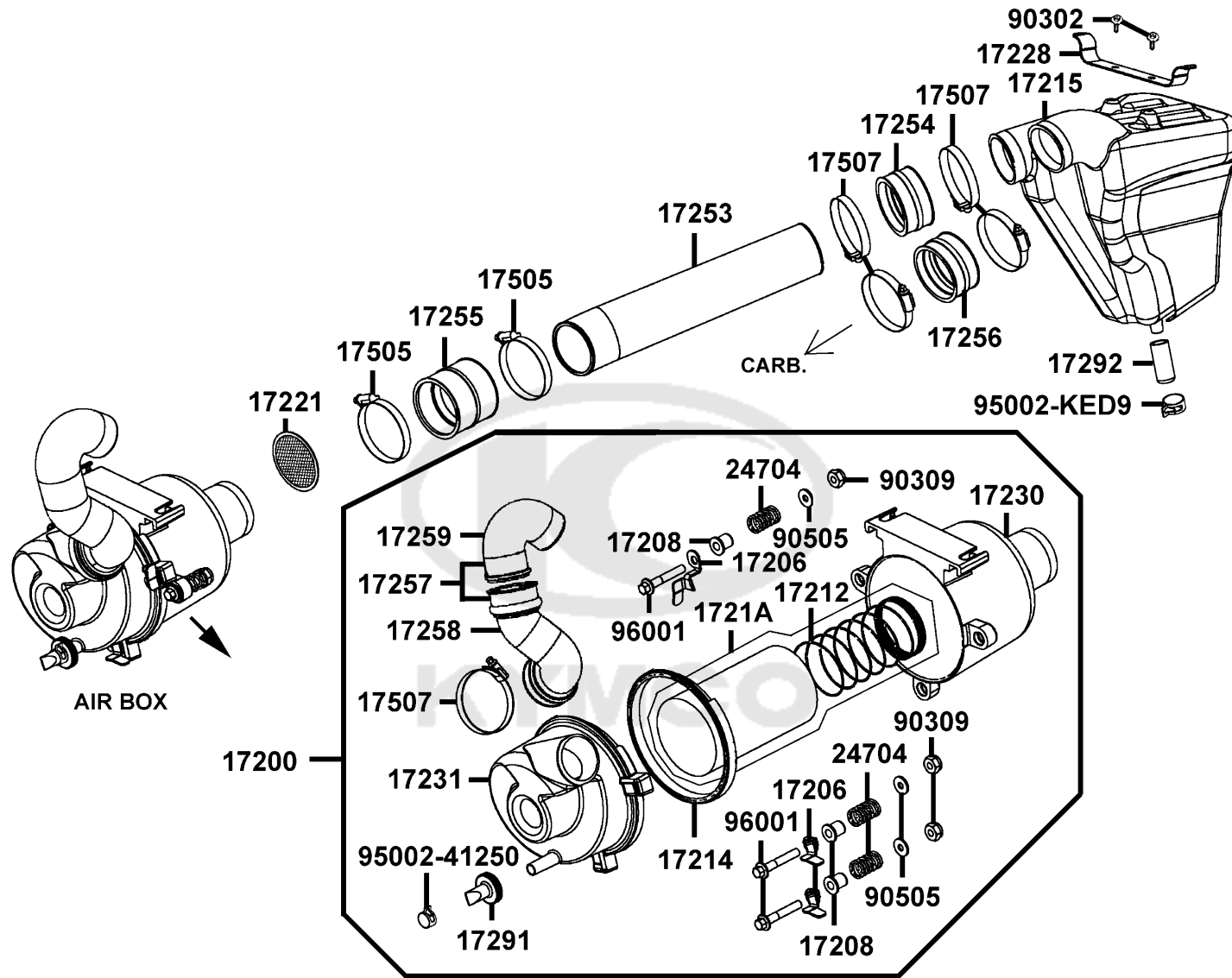


Sales mark	Ref no	Part no	Description	Reg description	Regd no	F12
**	17560	17560-LGC7-E00	SHIELD HEAT	SHIELD HEAT	1	
	50612	50612-PWB1-900	FOOTPEG	FOOTPEG	2	
	60102	60102-PWB1-900	GROMMET PANEL-SIDE	GROMMET PANEL-SIDE	1	
	60112	60112-PWB1-900	GROMMET	GROMMET	2	
	60113	60113-PWB1-900	SPACER STELL	SPACER STELL	2	
**	80100	80100-LKK7-E00	FENDER REAR	FENDER REAR	1	
	80103	80103-LFA5-E00	SHIELD LH	SHIELD LH	1	
**	80121	80121-LFA5-E01	MUDGUARD R FLOOR	MUDGUARD R FLOOR	1	
**	80122	80122-LGC3-E00	MUDGUARD L FLOOR	MUDGUARD L FLOOR	1	
**	80125	80125-LGC3-E00	COVER OIL LEVEL GAUGE	COVER OIL LEVEL GAUGE	1	
**	80130	80130-PWB1-E00	SHIELD REAR GEARCASE	SHIELD REAR GEARCASE	1	
**	83500	83500-LKK7-E76	COVER R SIDE	COVER R SIDE	1	
**	83505	83505-LKK7-E00	CAP SIDE COVER	CAP SIDE COVER	1	
**	83600	83600-LGC3-E00	COVER L SIDE	COVER L SIDE	1	
	90110	90110-PWB1-900	SCREW SPECIAL 6X20	SCREW SPECIAL 6X20	8	
	90302	90302-SDA4-004	NUT SPRING 4MM	NUT SPRING 4MM	2	
	90652-LCA4	90652-LCA4-E00	CLIP MUDGUARD	CLIP MUDGUARD	4	
	90652-LDB5	90652-LDB5-900	CLIP MUDGUARD	CLIP MUDGUARD	3	
	93404-06012	93404-06012-06	BOLT WASHER 6*12 (G)	BOLT WASHER 6X12	1	
	93404-06020	93404-06020-06	BOLT WASHER 6*20 (G)	BOLT WASHER 6X20	4	

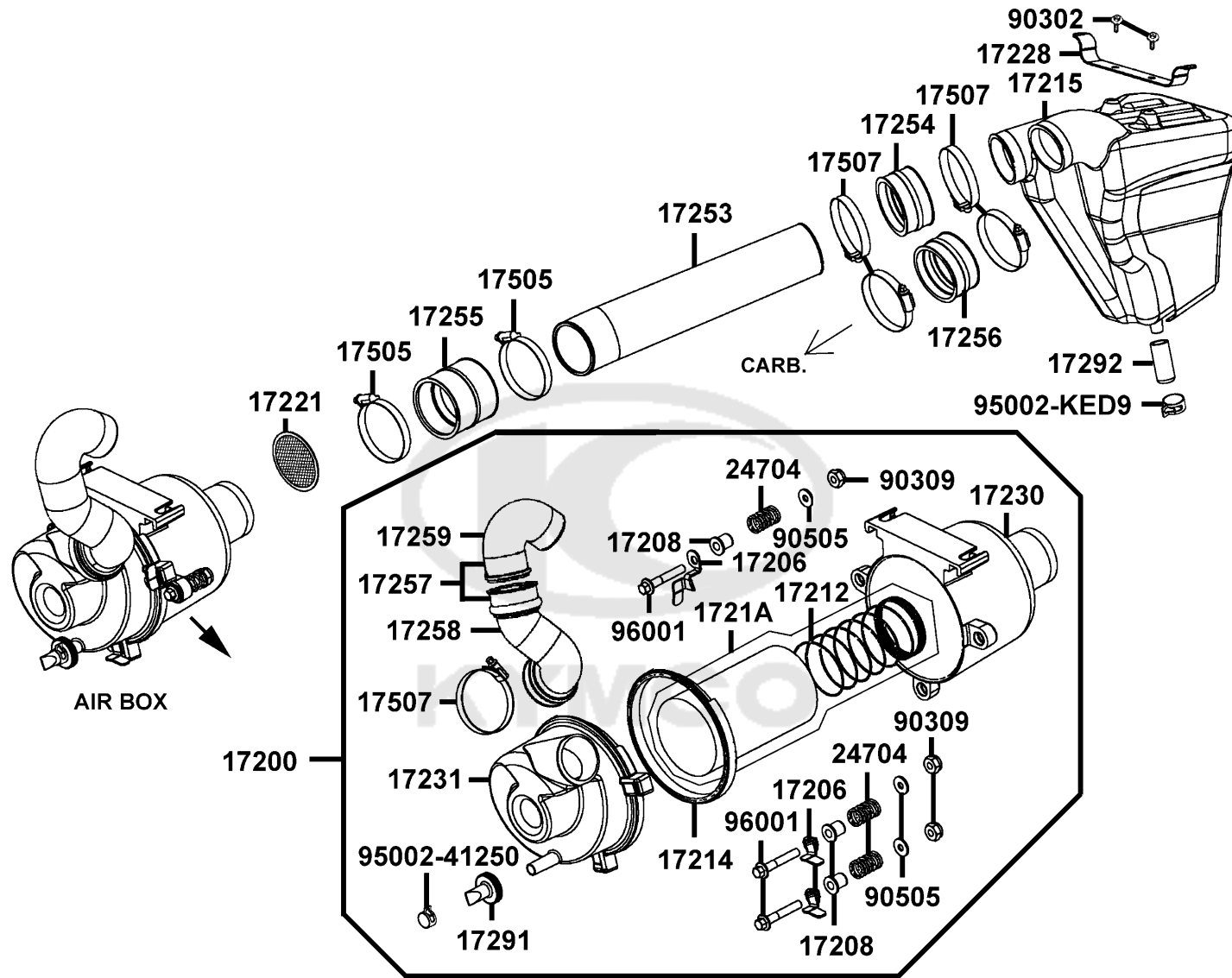


Sales mark	Ref no	Part no	Description	Reg description	Regd no	<b>F12</b>
93406		93406-08016-06	BOLT WASHER 8*16 (G)	BOLT WASHER 8*16 (G)	2	
93903-34360		93903-34360	SCREW TAPPING 4X12	SCREW TAPPING 4X12	1	
93903-PWB1		93903-PWB1-900	SCREW BODY-SELF TAP #12x3/4 A	SCREW BODY-SELF TAP #12x3/4 A	2	
94050		94050-LDE9-E00	NUT LOCK	NUT LOCK	12	
94103		94103-06800	WASH PLAIN 6MM	WASH PLAIN 6MM	4	
94591		94591-27000	CLIP 2*70	CLIP 2*70	1	

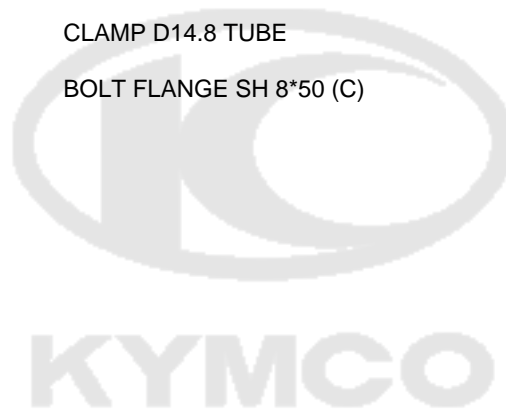




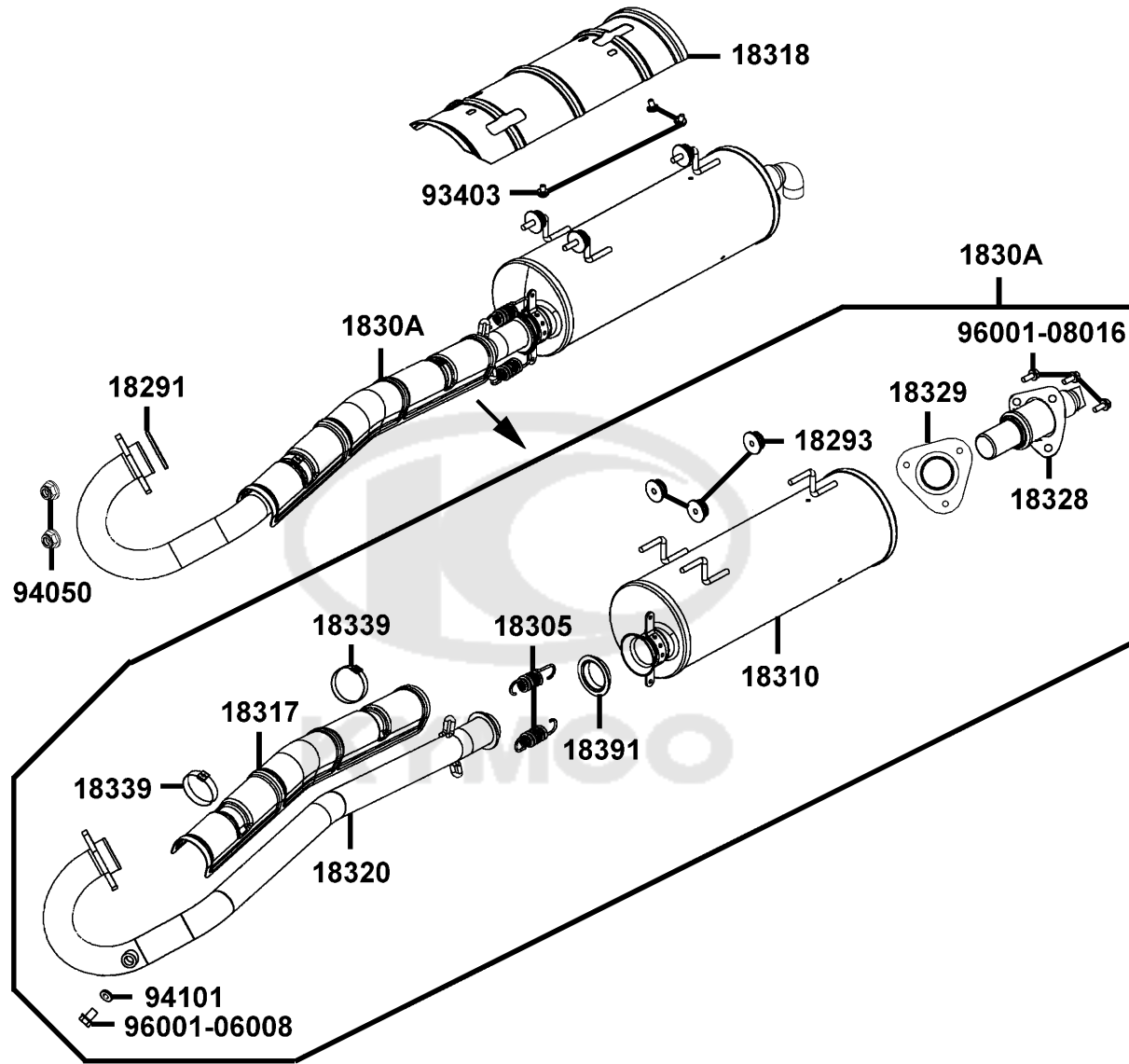
Sales mark	Ref no	Part no	Description	Reg description	Regd no	<b>F13</b>
17200		17200-LFA5-E00	AIR BOX ASSEMBLY	AIR BOX ASSEMBLY	1	
17206		17206-PWB1-900	CATCH AIR BOX	CATCH AIR BOX	3	
17208		17208-PWB1-900	SPACER STEEL	SPACER STEEL	3	
17212		17212-PWB1-900	FILTER SPRING	FILTER SPRING	1	
17214		17214-PWB1-900	GASKET AIR BOX	GASKET AIR BOX	1	
17215		17215-PWB1-900	CHAMBER AIR INTAKE	CHAMBER AIR INTAKE	1	
1721A		1721A-PWB1-900	FILTER AIR-UNI	FILTER AIR-UNI	1	
17221		17221-PWB1-900	TRAP	TRAP	1	
17228		17228-PWB1-900	BRACKET MOUNT-AIR CHAMBER	BRACKET MOUNT-AIR CHAMBER	1	
17230		17230-PWB1-900	BODY AIR BOX-CYCLONIC	BODY AIR BOX-CYCLONIC	1	
17231		17231-PWB1-900	COVER AIR BOX-CYCLONIC	COVER AIR BOX-CYCLONIC	1	
17253		17253-PWB1-900	BOOT INTAKE-CARB	BOOT INTAKE-CARB	1	
17254		17254-PWB1-900	BOOT AIR IN-CARB-LRG	BOOT AIR IN-CARB-LRG	1	
17255		17255-PWB1-900	BOOT AIR IN CARB SML	BOOT AIR IN CARB SML	1	
17256		17256-LGC3-E01	BOOT THROTTLE BODY-CHAMBER	BOOT THROTTLE BODY-CHAMBER	1	
17257		17257-PWB1-900	BOOT INTAKE AIR BOX	BOOT INTAKE AIR BOX	1	
17258		17258-PWB1-900	BOOT INTAKE TOP - AIR BOX	BOOT INTAKE TOP - AIR BOX	1	
17259		17259-PWB1-900	BOOT INTAKE BOTTOM - AIR BOX	BOOT INTAKE BOTTOM - AIR BOX	1	
17291		17291-PWB1-900	VALVE AIR CLEANER	VALVE AIR CLEANER	1	
17292		17292-PWB1-900	PIPE DRAIN	PIPE DRAIN	1	



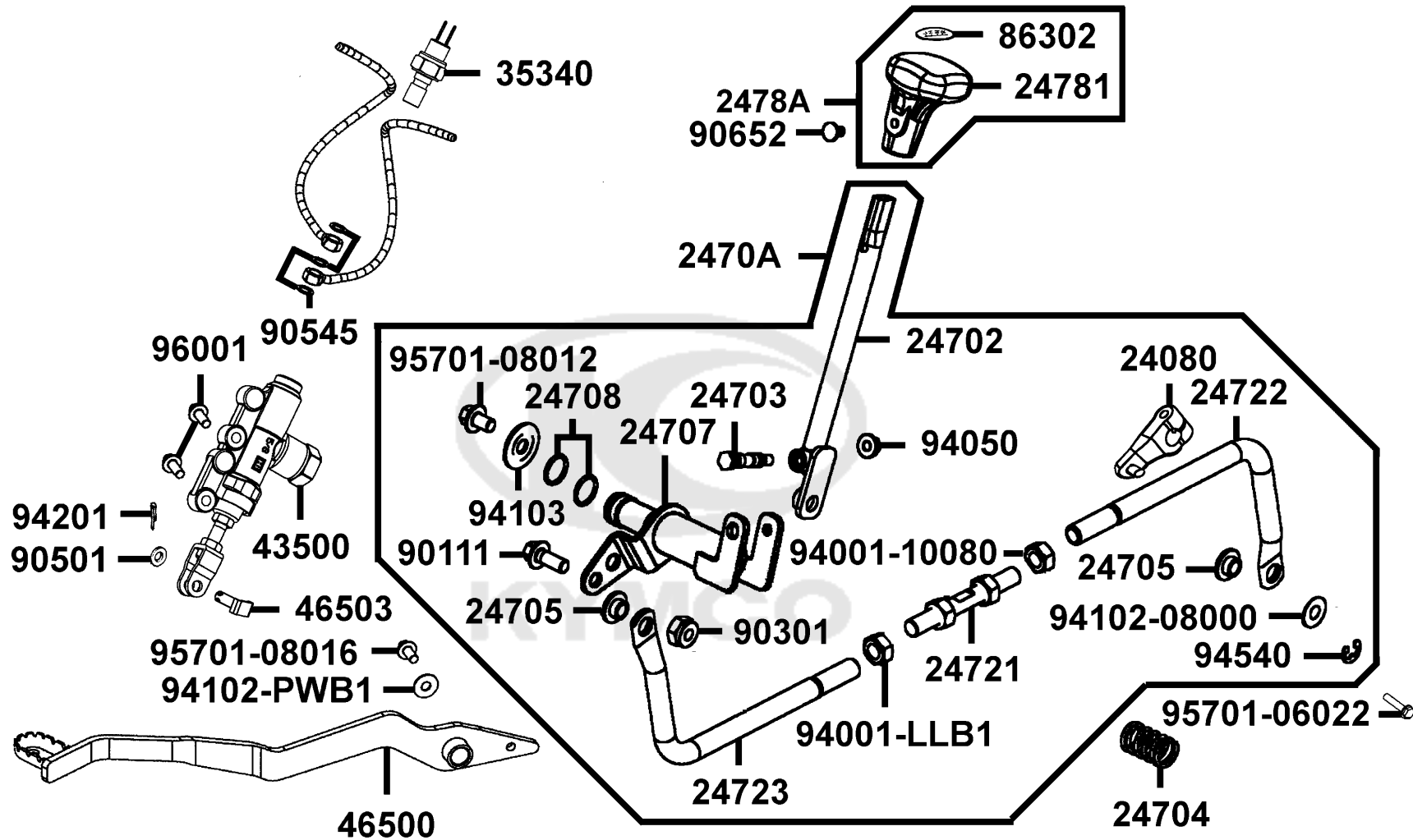
Sales mark	Ref no	Part no	Description	Reg description	Regd no	<b>F13</b>
17505		17505-PWB1-900	CLAMP D70	CLAMP D70	2	
17507		17507-PWB1-900	CLAMP D66	CLAMP D66	5	
24704		24704-PWB1-900	SPRING SHIFT	SPRING SHIFT	3	
90302		90302-LLB1-E00	BOLT-WASHER 5*12	BOLT-WASHER 5*12	2	
90309		90309-GLW0-90A	NUT U FLANGE 8MM	NUT U FLANGE 8MM	3	
90505		90505-4E25-001	WASHER 8MM	WASHER 8MM	3	
95002-41250		95002-41250-00	CLIP D12.5 TUBE	CLIP D12.5 TUBE	1	
95002-KED9		95002-KED9-M30	CLAMP D14.8 TUBE	CLAMP D14.8 TUBE	1	
96001		96001-08050-08	BOLT FLANGE SH 8*50 (C)	BOLT FLANGE SH 8*50 (C)	3	



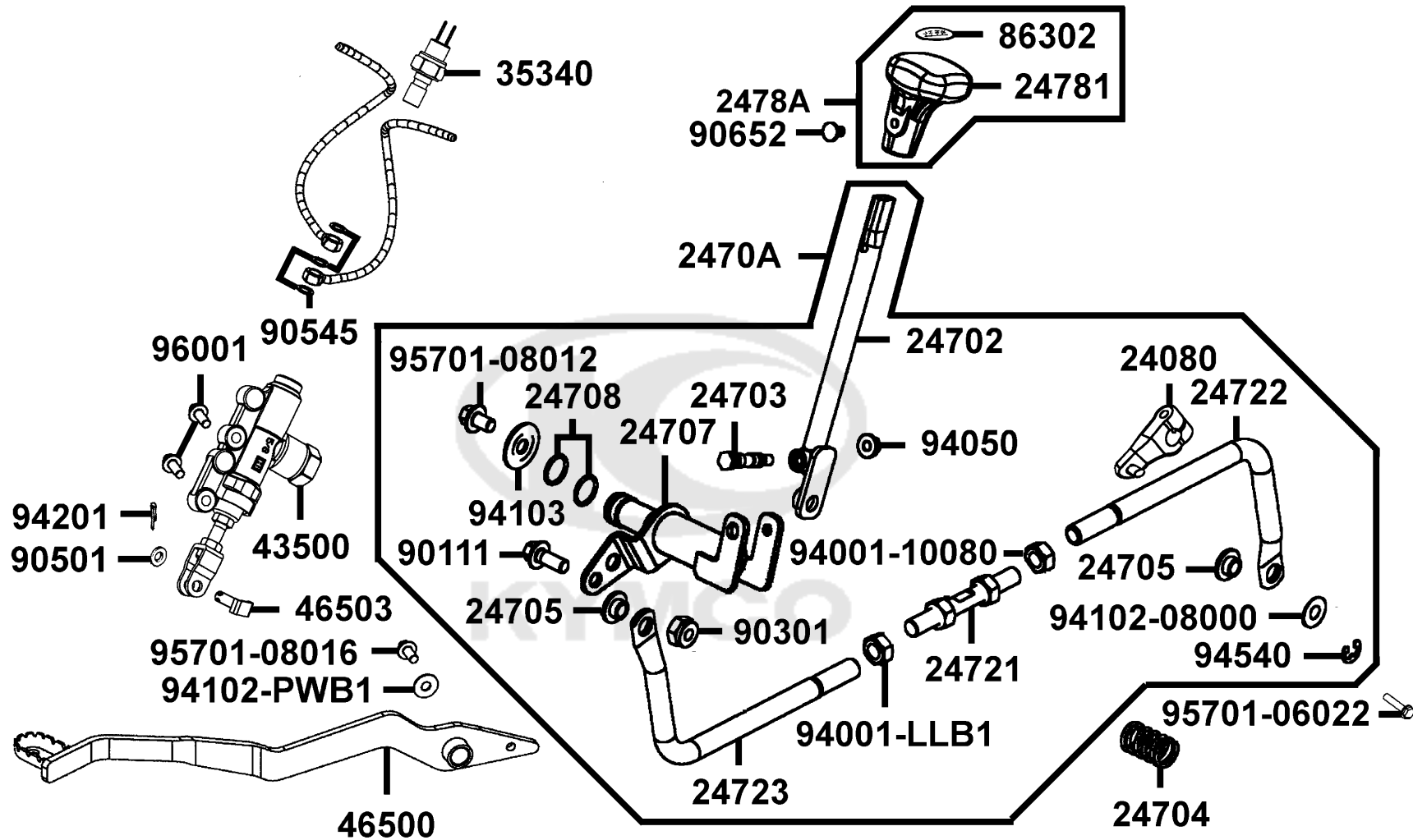




Sales mark	Ref no	Part no	Description	Reg description	Regd no	F14
	18291	18291-PTA1-900	SEALEXHAUST PIPE	SEAL EXHAUST PIPE	1	
	18293	18293-PWB1-900	GROMMENT MUFFLER	GROMMENT MUFFLER	3	
	18305	18305-PWB1-900	SPRING EXTENSION	SPRING EXTENSION	2	
	1830A	1830A-LGC3-E00	MUFFLER ASSY EXHAUST (P208)	MUFFLER ASSY EXHAUST (P208)	1	
	18310	18310-PTA1-E00	MUFFLER BODY WELDMENT	MUFFLER BODY WELDMENT	1	
	18317	18317-PTA1-900	SHIELD EXHAUST PIPE	SHIELD EXHAUST PIPE	1	
	18318	18318-PWB1-900	COVER MUFFLER	COVER MUFFLER	1	
	18320	18320-PTA1-E00	PIPEEXHAUST-BLACK	PIPE.EXHAUST-BLACK	1	
	18328	18328-LFA5-910	SPARK ARRESTER - WELDMENT	SPARK ARRESTER - WELDMENT	1	
	18329	18329-PWB1-700	GASKET.SPARK ARRESTER	GASKET.SPARK ARRESTER	1	
	18339	18339-PWB1-900	BAND EXHAUST PIPE SHIELD	BAND EXHAUST PIPE SHIELD	2	
	18391	18391-PTA1-900	GASKET EXH TAILPIPE	GASKET EXH TAILPIPE	1	
	93403	93403-PWB1-900	BOLT-WASHER 6X12	BOLT-WASHER 6X12	3	
	94050	94050-08080	NUT FLANGE 8MM	NUT FLANGE 8MM	2	
	94101	94101-06700	WASHER PLAIN 6MM	WASHER PLAIN 6MM	1	
	96001-06008	96001-06008-07	BOLT FLANGE SH 6*8	BOLT FLANGE SH 6*8	1	
	96001-08016	96001-08016-08	BOLT FLANGE SH 8*16	BOLT FLANGE SH 8*16	3	

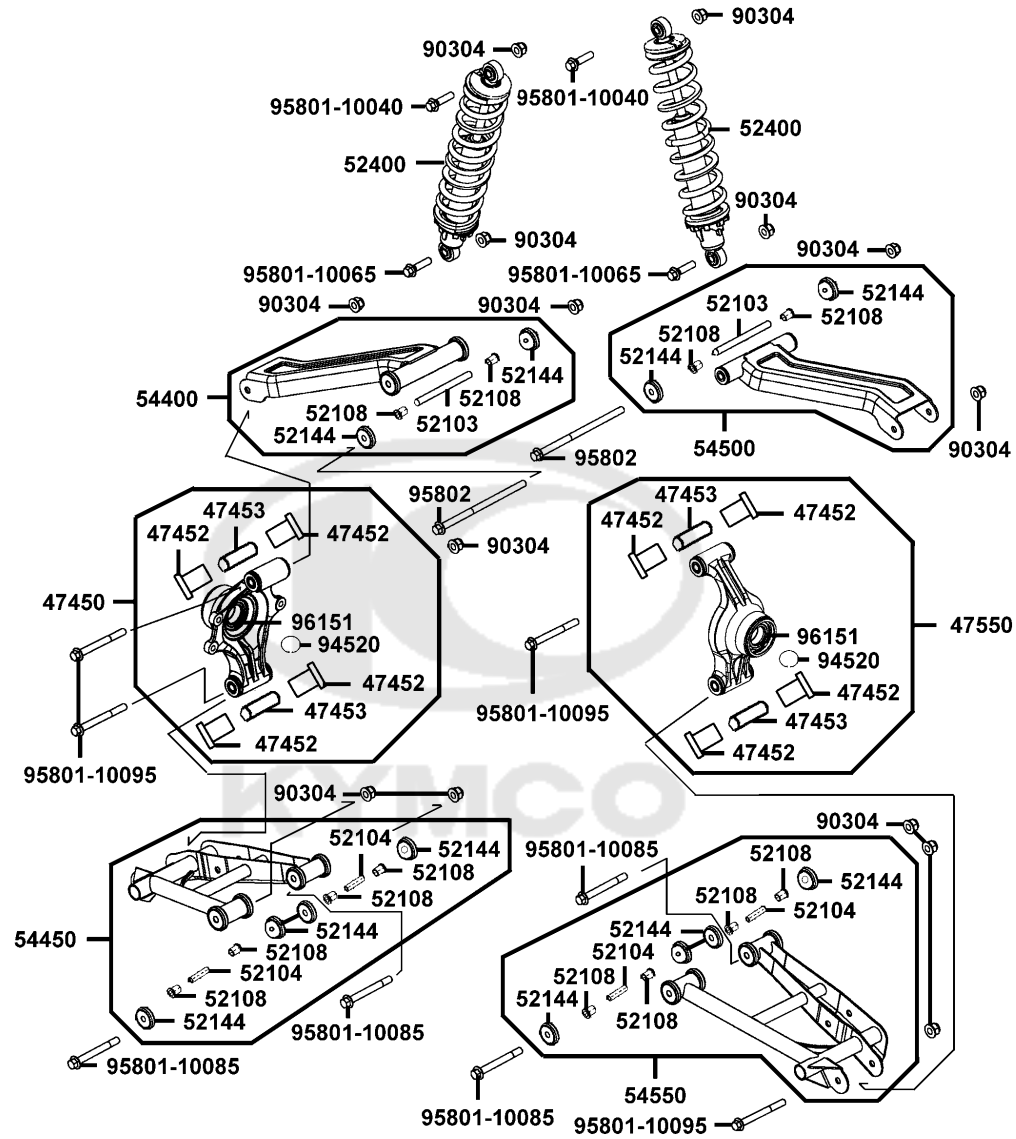


Sales mark	Ref no	Part no	Description	Reg description	Regd no	F15
	24080	24080-PWB1-900	ARM GEAR SELECT ASSY	ARM GEAR SELECT ASSY	1	
	24702	24702-LFA5-E00	LEVER SHIFT WELDMENT	LEVER SHIFT WELDMENT	1	
	24703	24703-PWB1-900	AXLE PIVOT	AXLE PIVOT	1	
	24704	24704-PWB1-900	SPRING SHIFT	SPRING SHIFT	1	
	24705	24705-PWB1-900	BUSHING SHIFT	BUSHING SHIFT	2	
	24707	24707-LFA5-E00	AXLE WELDMENT	AXLE WELDMENT	1	
	24708	24708-PWB1-900	O RING 016	O RING 016	2	
	2470A	2470A-LFA5-E00	FWD / REV SHIFT ASSY	FWD / REV SHIFT ASSY	1	
	24721	24721-PWB1-900	ADJUSTER SHIFT LINKAGE	ADJUSTER SHIFT LINKAGE	1	
	24722	24722-PWB1-900	ROD SHIFTER ADJUSTABLE RH	ROD SHIFTER ADJUSTABLE RH	1	
	24723	24723-PWB1-900	ROD SHIFTER ADJUSTABLE LH	ROD SHIFTER ADJUSTABLE LH	1	
	24781	24781-LFA5-E00	KNOB SHIFTER	KNOB SHIFTER	1	
	2478A	2478A-LFA5-E00	SHIFTER KNOB ASSY	SHIFTER KNOB ASSY	1	
	35340	35340-PWB1-E00	SWITCH BRAKE PRESSURE DOUBLE	SWITCH BRAKE PRESSURE DOUBLE BANJO	1	
	43500	43500-LHM2-E00	M/C ASSY FOOT	M/C ASSY FOOT	1	
**	46500	46500-LGN5-E00	LEVER COMP BRAKE	LEVER COMP BRAKE	1	
	46503	46503-LFA5-E00	PIN CLEVIS	PIN CLEVIS	1	
**	86302	86302-LFA5-E00	EMB GEAR REVERAL CHANGE	EMB GEAR REVERAL CHANGE	1	
	90111	90111-PWB1-900	BOLT FLANGE 6MM	BOLT FLANGE 6MM	1	
	90301	90301-6D34-671	NUT FLANGE 6MM	NUT FLANGE 6MM	1	



Sales mark	Ref no	Part no	Description	Reg description	Regd no	F15
90501		90501-3L10-001	WASHER 7*12	WASHER 7*12	1	
90545		90545-3L00-001	WASHER OIL BOLT	WASHER OIL BOLT	3	
90652		90652-PWB1-900	X'MAS TREE CLIP	X'MAS TREE CLIP	1	
94001-10080		94001-10080-0S	NUT HEX 10MM	NUT HEX 10MM	1	
94001-LLB1		94001-LLB1-900	NUT HEX 6 MM	NUT HEX 6 MM	1	
94050		94050-06060	NUT FLANGE 6MM	NUT FLANGE 6MM	1	
94102-08000		94102-08000	WASHER PLAIN 8MM	WASHER PLAIN 8MM	1	
94102-PWB1		94102-PWB1-900	WASHER FLAT	WASHER FLAT	1	
94103		94103-08800	WASHER PLAIN 8MM	WASHER PLAIN 8MM	1	
94201		94201-20120	PIN SPLIT 2*12	PIN SPLIT 2*12	1	
94540		94540-06012	E RING	E RING	1	
95701-06022		95701-06022-06	BOLT FLANGE 6*22	BOLT FLANGE 6*22	1	
95701-08012		95701-08012-06	BOLT FLANGE 8*12	BOLT FLANGE 8*12	1	
95701-08016		95701-08016-06	BOLT FLANGE 8*16	BOLT FLANGE 8*16	1	
96001		96001-06020-06	BOLT FLANGE SH 6*20	BOLT FLANGE SH 6*20	1	

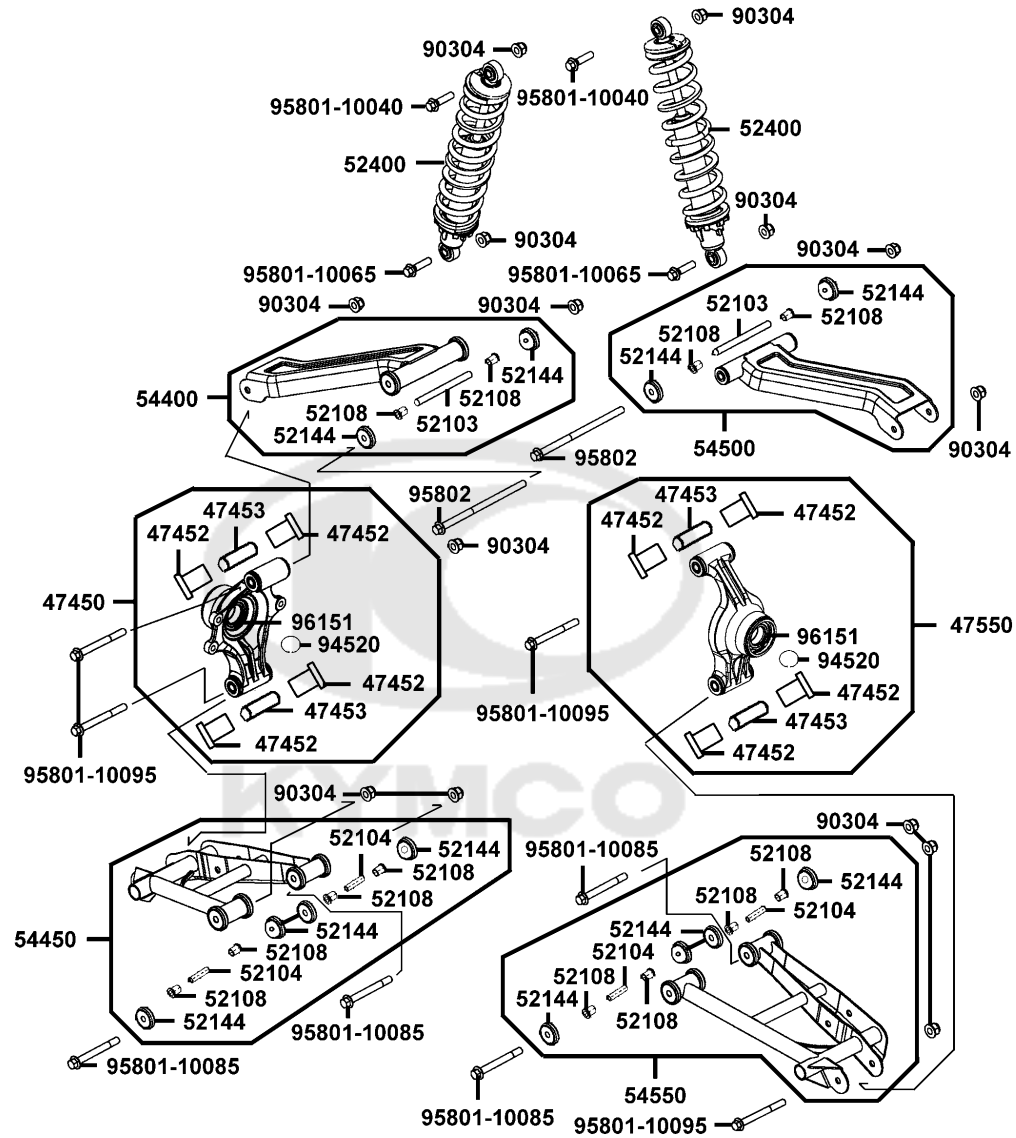
Control Arm Assy



Sales mark	Ref no	Part no	Description	Reg description	Regd no	<b>F16</b>
	47450	47450-PWB1-900	KNUCKLE REAR ASSEMBLY RH	KNUCKLE REAR ASSEMBLY RH	1	
	47452	47452-PWB1-900	BUSHING RR SUSPENSION	BUSHING RR SUSPENSION	8	
	47453	47453-PWB1-900	COLLAR SUSPENSION	COLLAR SUSPENSION	4	
	47550	47550-PWB1-900	KNUCKLE REAR ASSEMBLY LH	KNUCKLE REAR ASSEMBLY LH	1	
	52103	52103-PWB1-900	SLEEVE SUSPENSION	SLEEVE SUSPENSION	2	
	52104	52104-PWB1-900	SLEEVE SUSPENSION	SLEEVE SUSPENSION	4	
	52108	52108-PWB1-900	BUSHING SUSPENSION	BUSHING SUSPENSION	12	
	52144	52144-PWB1-900	SEAL SUSPENSION	SEAL SUSPENSION	12	
**	52400	52400-PWB1-900	CUSHION ASSY RR	CUSHION ASSY RR	2	
**	54400	54400-PRB1-900	CONTROL ARM RH UPPER ASSY	CONTROL ARM RH UPPER ASSY	1	
**	54400	54400-PWB1-E00	CONTROL ARM RH/LH UPPER ASSY	CONTROL ARM RH/LH UPPER ASSY	1	
**	54450	54450-LFA5-E00	A-ARM RH LOWER ASSEM	A-ARM RH LOWER ASSEM	1	
**	54500	54500-PRB1-900	CONTROL ARM LH UPPER ASSY	CONTROL ARM LH UPPER ASSY	1	
**	54500	54500-PWB1-E00	CONTROL ARM RH/LH UPPER ASSY	CONTROL ARM RH/LH UPPER ASSY	1	
**	54550	54550-LFA5-E00	A-ARM LH LOWER ASSEM	A-ARM LH LOWER ASSEM	1	
	90304	90304-GLW0-90A	NUT U FLANGE 10MM	NUT U FLANGE 10MM	14	
	94520	94520-55000	CIR CLIP IN 55	CIR CLIP IN 55	2	
	95801-10040	95801-10040-06	BOLT FLANGE 10X40	BOLT FLANGE 10X40	1	
	95801-10065	95801-10065-06	BOLT FLANGE 10*65	BOLT FLANGE 10*65	1	
	95801-10085	95801-10085-06	BOLT FLANGE 10*85	BOLT FLANGE 10*85	4	



Control Arm Assy

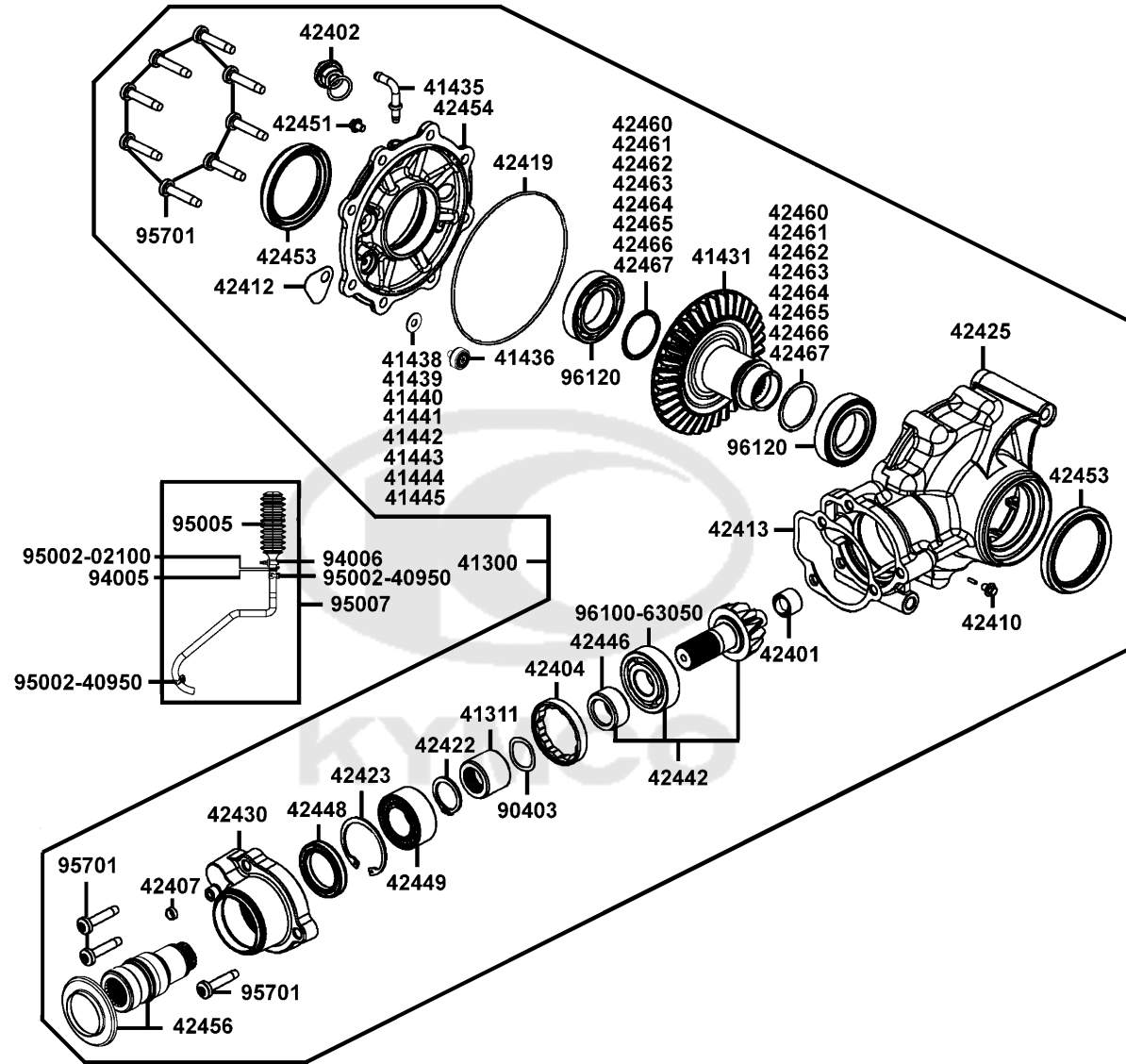


Sales mark	Ref no	Part no	Description	Reg description	Regd no	<b>F16</b>
------------	--------	---------	-------------	-----------------	---------	------------

	95801-10095	95801-10095-06	BOLT FLANGE 10*95	BOLT FLANGE 10*95	4	
	95802	95802-PWB1-900	SCREW, CAP-HFH M10x1.25	SCREW, CAP-HFH M10x1.25	2	
	96151	96151-PWB1-900	BEARING WHEEL	BEARING WHEEL	2	

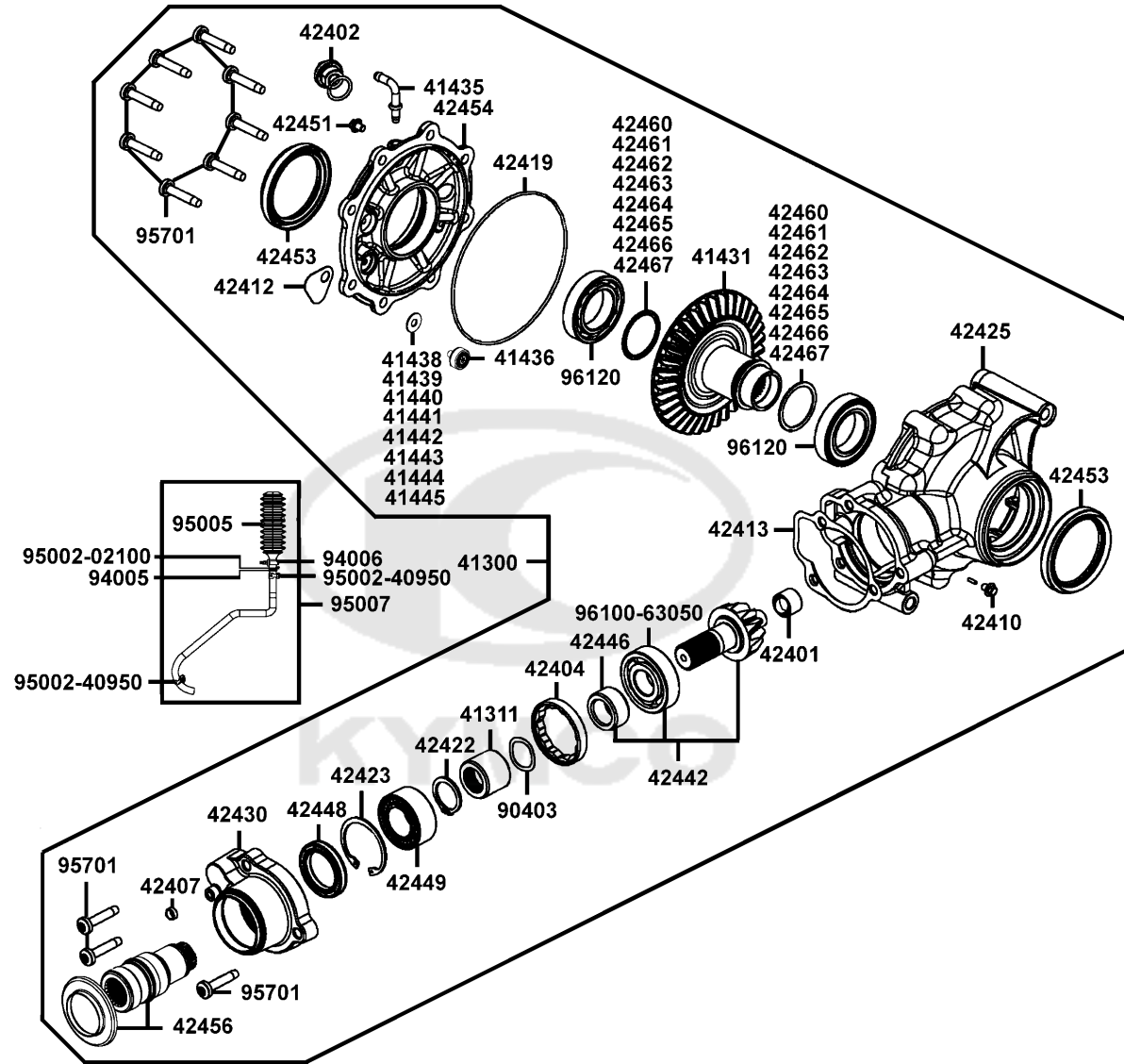


# Control Arm Assy



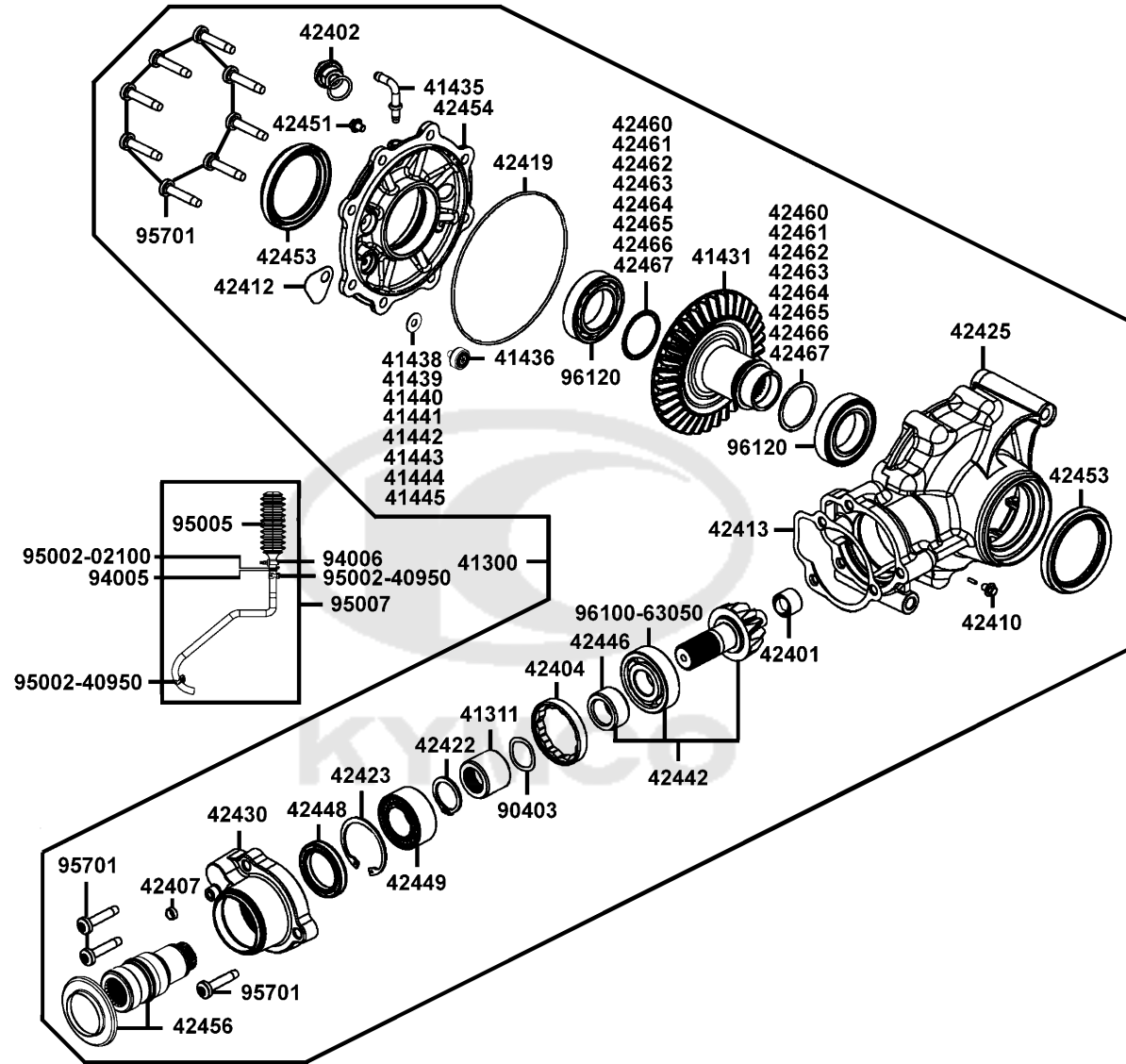
Sales mark	Ref no	Part no	Description	Reg description	Regd no	F17
	41300	41300-LGC3-900	GEARCASE REAR(3.1) ASSEMBLY	GEARCASE REAR(3.1) ASSEMBLY	1	
	41311	41311-LFA5-900	COLLAR SHAFT SPLINED	COLLAR SHAFT SPLINED	1	
	41431	41431-LFA5-900	GEAR REAR	GEAR REAR	1	
	41435	41435-LFA5-900	BARB 90 DEG	BARB 90 DEG	1	
	41436	41436-LFA5-900	BUTTONTHRUST M6X10	BUTTON THRUST	1	
	41438	41438-LFA5-900	SHIM 6.3*18*1.0	SHIM 6.3*18*1.0	1	
	41439	41439-LFA5-900	SHIM 6.3*18*1.1	SHIM 6.3*18*1.1	1	
	41440	41440-LFA5-900	SHIM 6.3*18*1.2	SHIM 6.3*18*1.2	1	
	41441	41441-LFA5-900	SHIM 6.3*18*1.3	SHIM 6.3*18*1.3	1	
	41442	41442-LFA5-900	SHIM 6.3*18*1.4	SHIM 6.3*18*1.4	1	
	41443	41443-LFA5-900	SHIM 6.3*18*1.5	SHIM 6.3*18*1.5	1	
	41444	41444-LFA5-900	SHIM 6.3*18*1.6	SHIM 6.3*18*1.6	1	
	41445	41445-LFA5-900	SHIM 6.3*18*1.7	SHIM 6.3*18*1.7	1	
	42401	42401-LFA5-900	BEARING NEEDLE	BEARING NEEDLE	1	
	42401	42401-LFA5-90B	BEARING.NEEDLE(16NQ2316)	BEARING.NEEDLE(16NQ2316)	1	
	42402	42402-LFA5-900	PLUG FILL	PLUG FILL	1	
	42404	42404-LFA5-910	COLLAR LOCK M64X1.5 LH	COLLAR LOCK M64X1.5 LH	1	
	42407	42407-LFA5-900	PIN DOWEL	PIN DOWEL	1	
	42410	42410-LFA5-900	PLUG DRAIN MAG	PLUG DRAIN MAG	1	
	42412	42412-LFA5-900	TAG ID GEARCASE	TAG ID GEARCASE	1	

Control Arm Assy



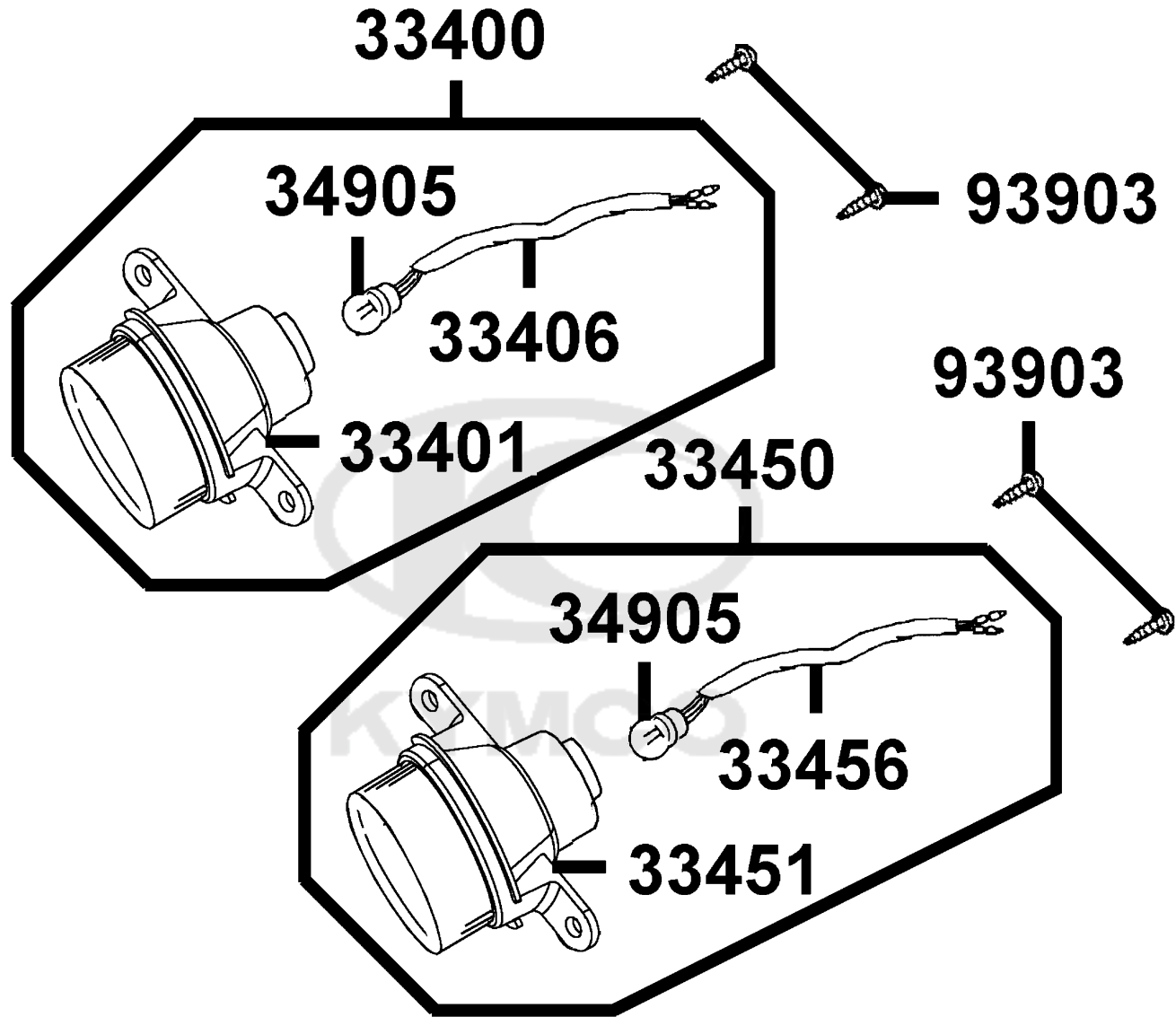
Sales mark	Ref no	Part no	Description	Reg description	Regd no	F17
	42413	42413-LFA5-900	GASKET FLANGE	GASKET FLANGE	1	
	42419	42419-LFA5-900	O-RING 150*2MM	O-RING 150*2MM	1	
	42422	42422-LFA5-900	RING RETAINING ONE	RING RETAINING ONE	1	
	42423	42423-LFA5-900	RING RETAINING	RING RETAINING	1	
	42425	42425-LFA5-910	HOUSING GEARCASE REAR MACH	HOUSING GEARCASE REAR MACH	1	
	42430	42430-LFA5-910	HOUSING PINION-MACH	HOUSING PINION-MACH	1	
	42442	42442-LFA5-900	PINION(11 TOOTH)-ASSEMBLY	PINION(11 TOOTH)-ASSEMBLY	1	
	42446	42446-LFA5-900	COLLAR RETAINING	COLLAR RETAINING	1	
	42448	42448-LFA5-900	SEAL 38*55*14	SEAL 38*55*14	1	
	42449	42449-LFA5-900	BEARING BALL DOUBLE ROW	BEARING BALL DOUBLE ROW	1	
	42449	42449-LFA5-90B	BEARING.BALL-DOUBLE ROW	BEARING.BALL-DOUBLE ROW	1	
	42451	42451-LFA5-900	PLUG OIL LEVEL	PLUG OIL LEVEL	1	
	42453	42453-LGC3-900	OIL SEAL 48*84*9	OIL SEAL 48*84*9	2	
	42454	42454-LFA5-910	COVER GEARCASE-RR MACH	COVER GEARCASE-RR MACH	1	
	42456	42456-LFA5-900	SHAFT INPUT ASSEMBLY	SHAFT INPUT ASSEMBLY	1	
	42460	42460-LFA5-900	SHIM 41*49*1.0	SHIM 41*49*1.0	2	
	42461	42461-LFA5-900	SHIM 41*49*1.1	SHIM 41*49*1.1	2	
	42462	42462-LFA5-900	SHIM 41*49*1.2	SHIM 41*49*1.2	2	
	42463	42463-LFA5-900	SHIM 41*49*1.3	SHIM 41*49*1.3	2	
	42464	42464-LFA5-900	SHIM 41*49*1.4	SHIM 41*49*1.4	2	

Control Arm Assy



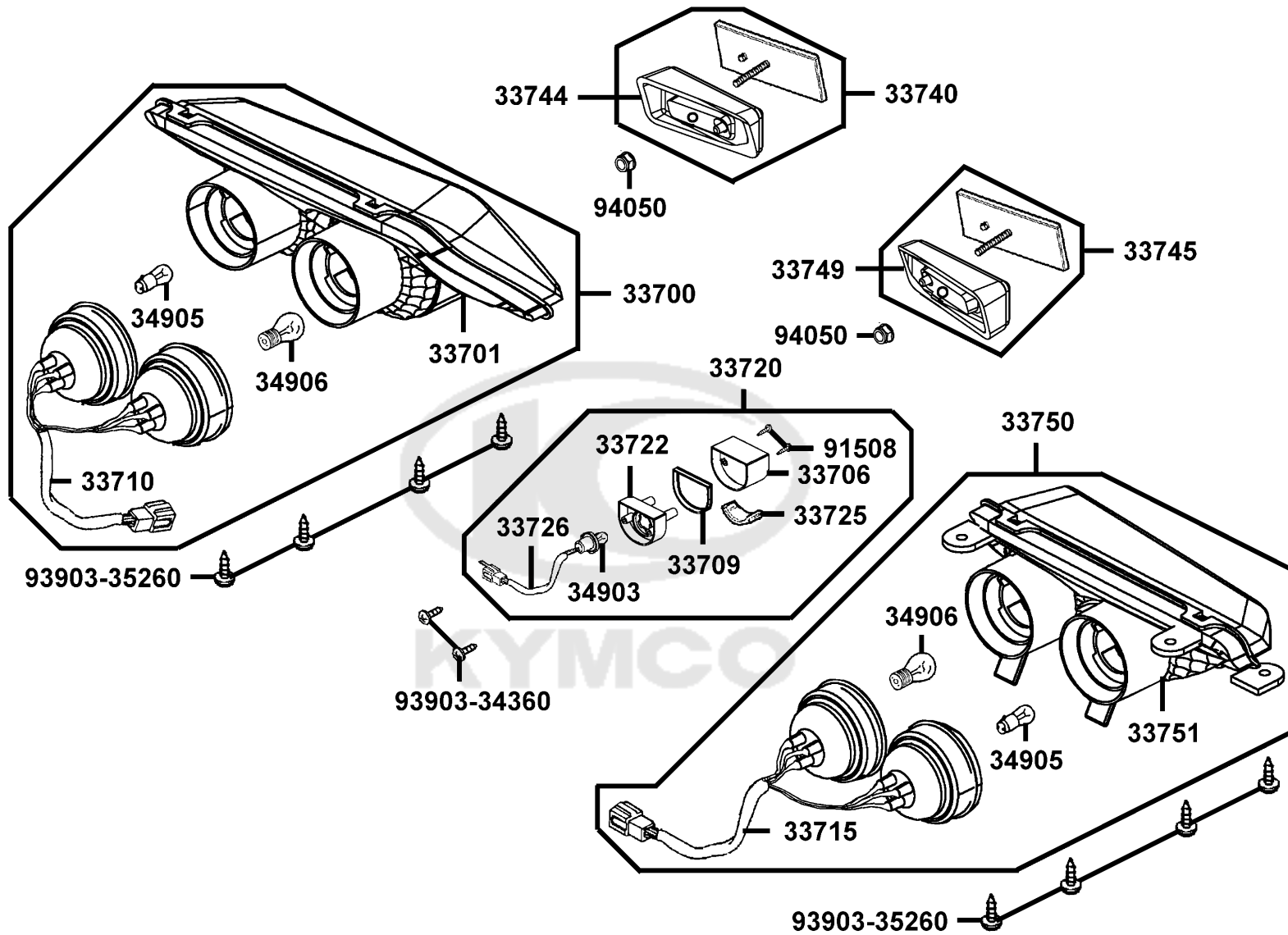
Sales mark	Ref no	Part no	Description	Reg description	Regd no	F17
42465		42465-LFA5-900	SHIM 41*49*1.5	SHIM 41*49*1.5	2	
42466		42466-LFA5-900	SHIM 41*49*1.6	SHIM 41*49*1.6	2	
42467		42467-LFA5-900	SHIM 41*49*1.7	SHIM 41*49*1.7	2	
90403		90403-LFA5-900	WASHER WAVE SPRING	WASHER WAVE SPRING	1	
94005		94005-PWB1-900	HOSE BARB INTAKE MANIFOLD	HOSE BARB INTAKE MANIFOLD	1	
94006		94006-PWB1-900	ROUTING CLIP SNAP-IN	ROUTING CLIP SNAP-IN	1	
95002-02100		95002-02100	CLIP B15 TUBE	CLIP B15 TUBE	1	
95002-40950		95002-40950-08	CLAMP D9.5 TUBE	CLAMP D9.5 TUBE	2	
95005		95005-PWB1-900	BREATH TUBE RR GEAR ASSY	BREATH TUBE RR GEAR ASSY	1	
95007		95007-LFA5-900	HOSE VENT-GEARCASE	HOSE VENT-GEARCASE	1	
		95009-LFA5-900	HOSE	HOSE	1	
95701		95701-08040-06	BOLT FLANGE 8x40 (G)	BOLT FLANGE 8x40 (G)	1	
96100-63050		96100-63050-00	BRG BALL RADIAL 6305	BRG BALL RADIAL 6305	1	
96120		96120-60080-00	BEARING BALL 6008Z	BEARING BALL 6008Z	2	



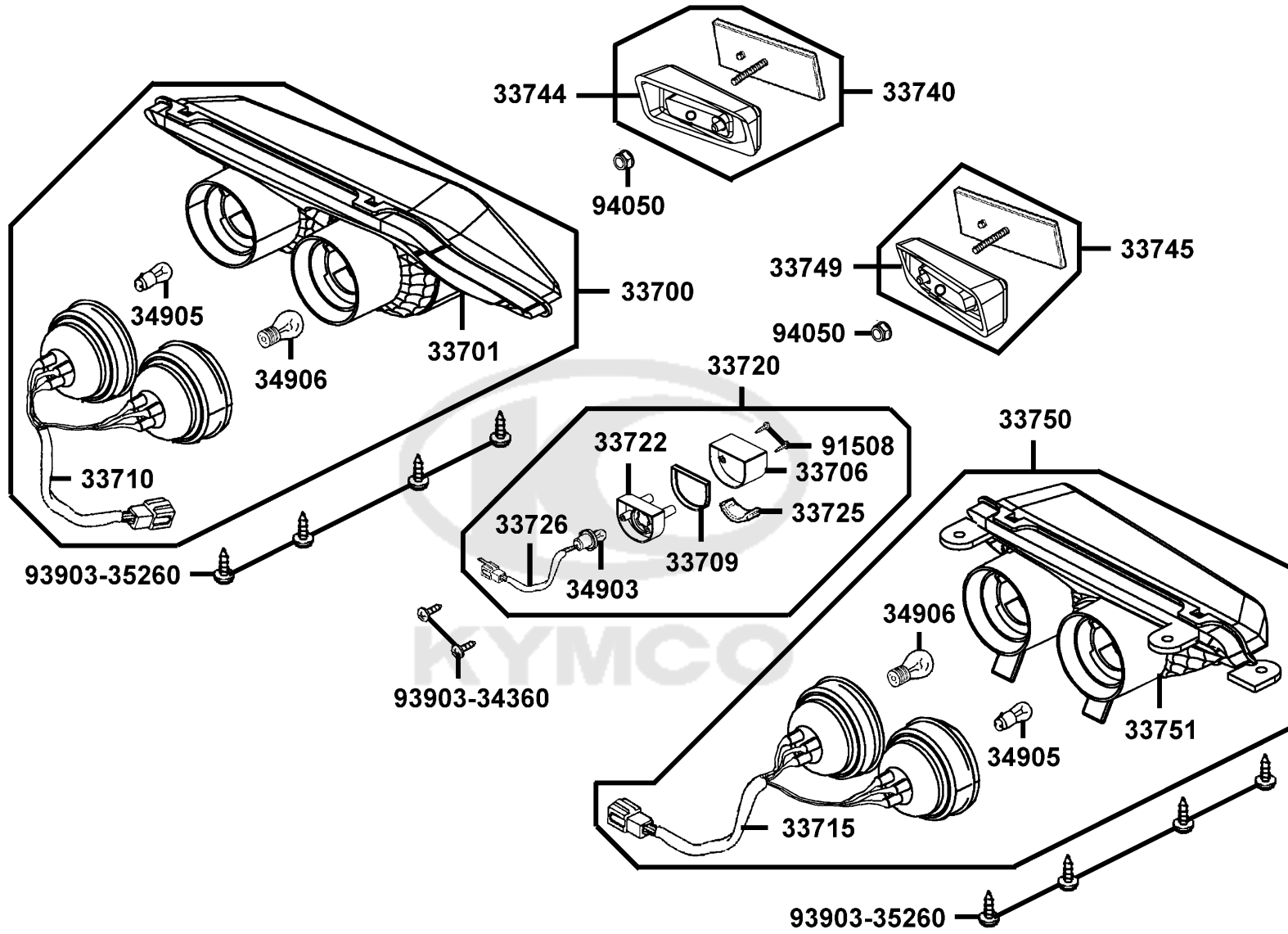


Sales mark	Ref no	Part no	Description	Reg description	Regd no	<b>F18</b>
	33400	33400-LFA5-E00	WINKER ASSY R FR	WINKER ASSY R FR	1	
	33401	33401-LFA5-E00	UNIT WINKER R FR	UNIT WINKER R FR	1	
	33406	33406-LFA5-E00	SOCKET COMP R FR	SOCKET COMP R FR	1	
	33450	33450-LFA5-E00	WINKER ASS'Y L FR	WINKER ASS'Y L FR	1	
	33451	33451-LFA5-E00	UNIT WINKER L FR	UNIT WINKER L FR	1	
	33456	33456-LFA5-E00	SOCKET COMP L FR	SOCKET COMP L FR	1	
	34905	34905-LBA7-E00	BULB WINKER 12V10W	BULB WINKER 12V10W	2	
	93903	93903-35260	SCREW TAPPING 5*12	SCREW TAPPING 5*12	4	



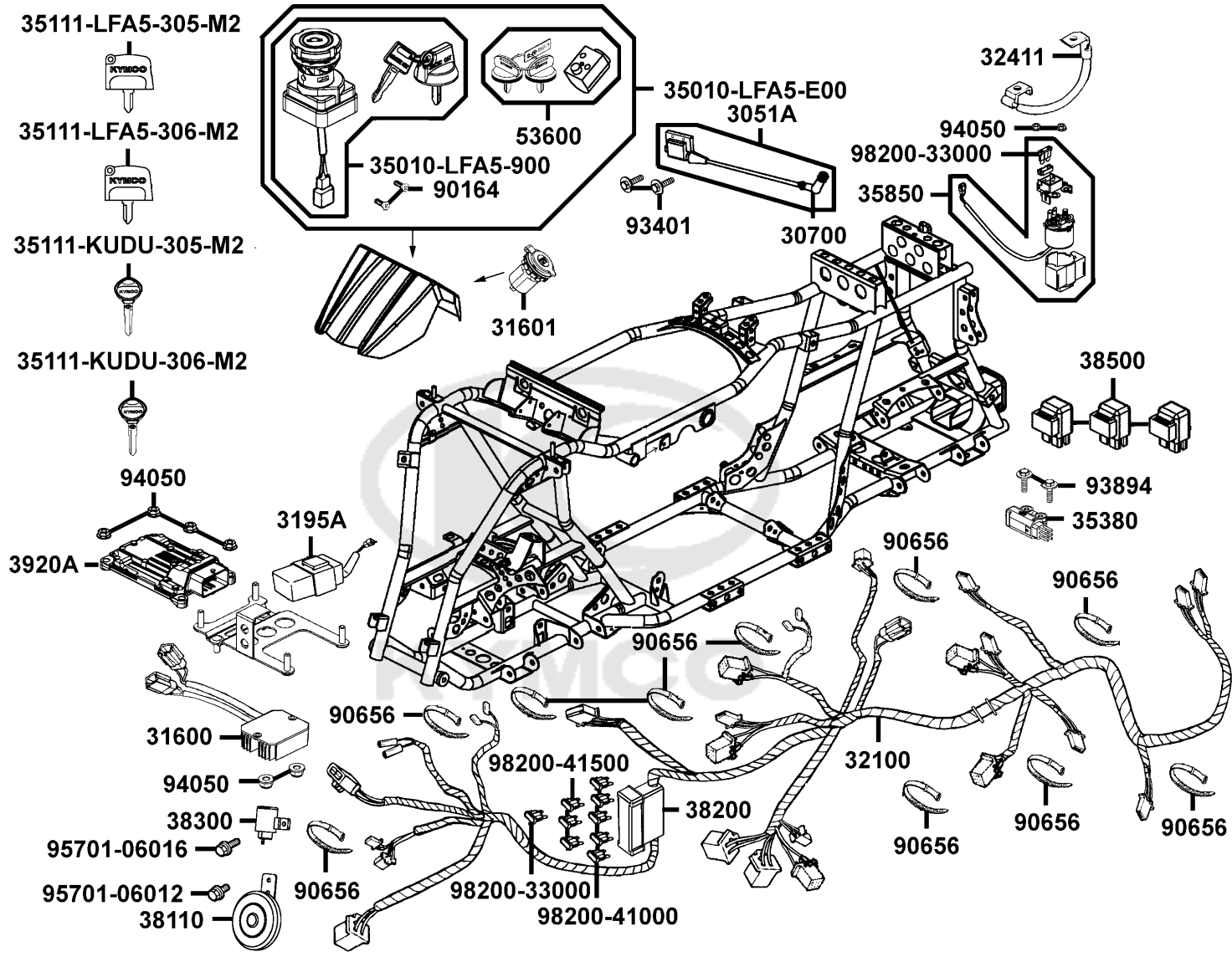


Sales mark	Ref no	Part no	Description	Reg description	Regd no	<b>F19</b>
33700		33700-LFA5-E00	LIGHT ASSY R RR COMB	LIGHT ASSY R RR COMB	1	
33701		33701-LFA5-E00	UNIT TAIL LIGHT R	UNIT TAIL LIGHT R	1	
33706		33706-GCN3-67A	COVER LICENSE	COVER LICENSE	1	
33709		33709-KBAB-003	PACKING LICENSE	PACKING LICENSE	1	
33710		33710-LFA5-E00	SOCKEY COMP R RR COMB	SOCKEY COMP R RR COMB	1	
33715		33715-LFA5-E00	SOCKEY COMP L RR COMB	SOCKEY COMP L RR COMB	1	
33720		33720-LCA5-E00	LIGHT ASSY LICENSE	LIGHT ASSY LICENSE	1	
33722		33722-KHB4-E00	BASE LICENSE	BASE LICENSE	1	
33725		33725-KHB4-E00	LENS LICENSE	LENS LICENSE	1	
33726		33726-LCA5-E00	SOCKET COMP	SOCKET COMP	1	
33740		33740-LFA5-E00	REFLECTOR ASSY R RR	REFLECTOR ASSY R RR	1	
33744		33744-LFA5-E00	PACKING R REFLECTOR RR	PACKING R REFLECTOR RR	1	
33745		33745-LFA5-E00	REFLECTOR ASSY L RR	REFLECTOR ASSY L RR	1	
33749		33749-LFA5-E00	PACKING L REFLECTOR RR	PACKING L REFLECTOR RR	1	
33750		33750-LFA5-E00	LIGHT ASSY L RR COMB	LIGHT ASSY L RR COMB	1	
33751		33751-LFA5-E00	UNIT TAIL LIGHT L	UNIT TAIL LIGHT L	1	
34903		34903-KPCP-900	BULB POSITION LIGHT 12V5W **KCP-	BULB POSITION LIGHT 12V5W	1	
34905		34905-LBA7-E00	BULB WINKER 12V10W	BULB WINKER 12V10W	2	
34906		34906-KPCP-900	BULB TAIL & STOP	BULB TAIL & STOP	2	
91508		91508-KGV7-67A	SCREW TAPPING 4*14	SCREW TAPPING 4*14	2	



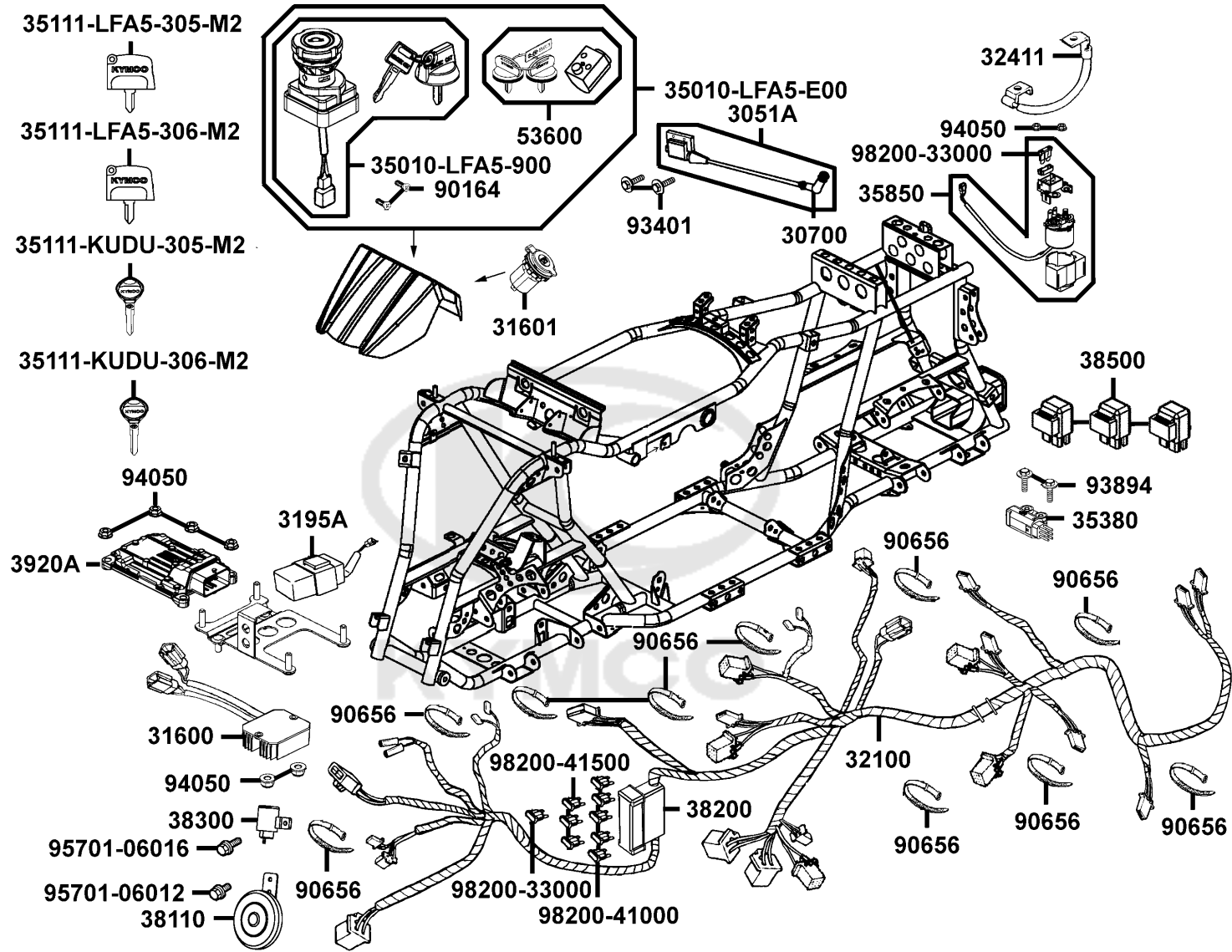
Sales mark	Ref no	Part no	Description	Reg description	Regd no	<b>F19</b>
	93903-34360	93903-34360	SCREW TAPPING 4X12	SCREW TAPPING 4X12	2	
	93903-35260	93903-35260	SCREW TAPPING 5*12	SCREW TAPPING 5*12	8	
	94050	94050-05060	NUT FLANGE 5MM	NUT FLANGE 5MM	2	



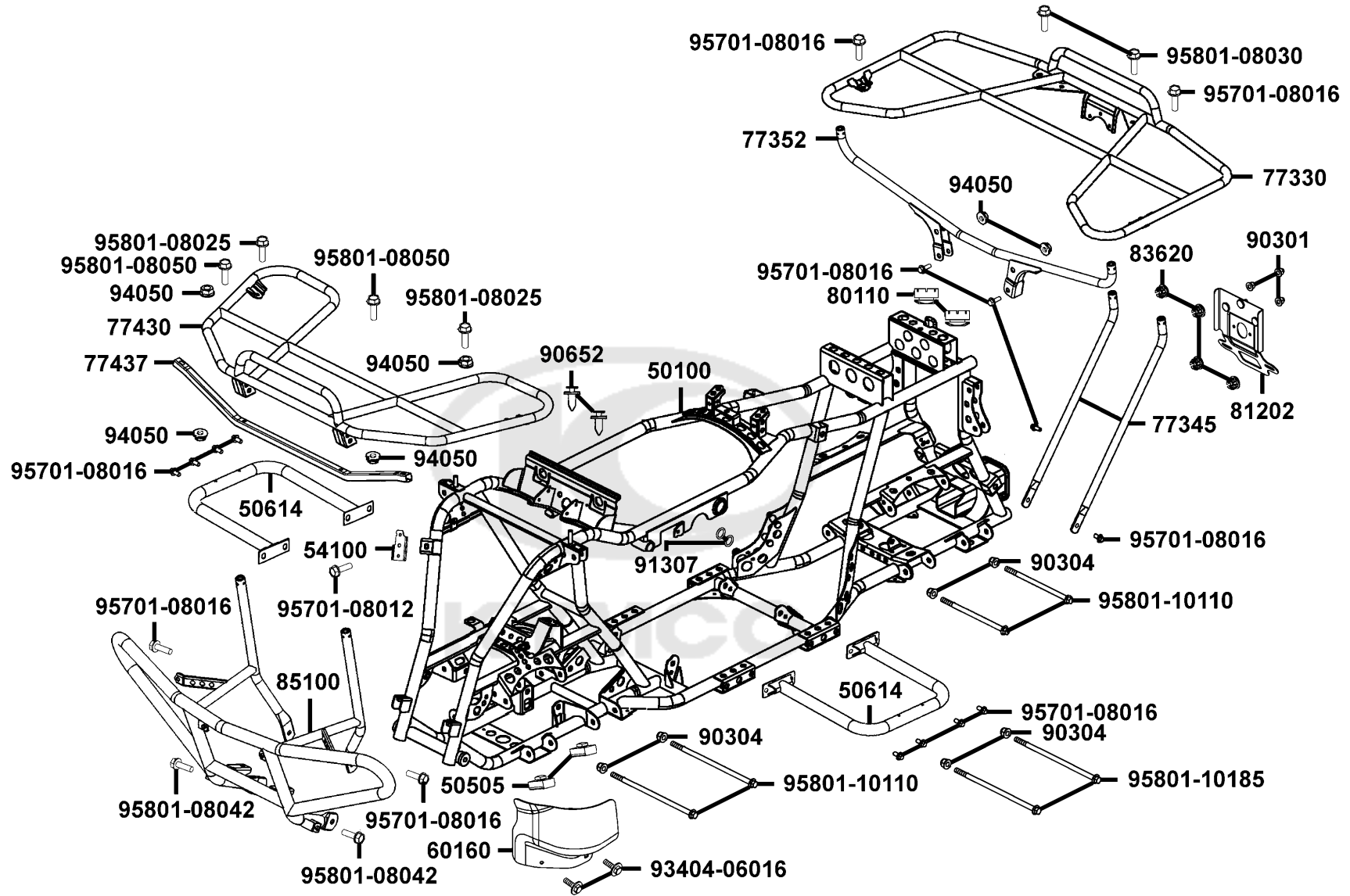


Sales mark	Ref no	Part no	Description	Reg description	Regd no	F20
	3051A	3051A-PRB8-900	COIL ASS Y IGNITION	COIL ASS'Y IGNITION	1	
	30700	30700-PTA1-800	CAP ASS Y NOISE SUPPRESOR	CAP ASSY NOISE SUPPRESOR	1	
	31600	31600-PRB8-900	REG RECT COMP	REG RECT COMP	1	
	31601	31601-LDB5-E00	SOCKET COMP DC 12V	SOCKET COMP DC 12V	1	
	3195A	3195A-LBA7-E00	HAZARD CONTROL ASSY	HAZARD CONTROL ASSY	1	
	32100	32100-LKK7-E00	HARNES WIRE	HARNES WIRE	1	
	32411	32411-LGN5-E00	CABLE BAT	CABLE BAT	1	
	35010-LFA5-900	35010-LFA5-900	KEY SET	KEY SET	1	
	35010-LFA5-E00	35010-LFA5-E00	KEY SET	KEY SET	1	
	35111-KUDU-305-M2	35111-KUDU-305-M2	KEY COMP (R TANGENT PLANE TJ)	KEY COMP (R TANGENT PLANE TJ)	1	
	35111-KUDU-306-M2	35111-KUDU-306-M2	KEY COMP(L TANGENT PLANE TJ)	KEY COMP(L TANGENT PLANE TJ)	1	
	35111-LFA5-305-M2	35111-LFA5-305-M2	KEY COMP (R TANGENT PLANE/TJ)	KEY COMP (R TANGENT PLANE/TJ)	1	
	35111-LFA5-306-M2	35111-LFA5-306-M2	KEY COMP (L TANGENT PLANE/TJ)	KEY COMP (L TANGENT PLANE/TJ)	1	
	35380	35380-LDF2-900	SENSOR ANGLE DETECT	SENSOR ANGLE DETECT	1	
	35850	35850-LBA2-E00	SET START MAG	SET START MAG	1	
	38110	38110-LDB5-E00	HORN COMP	HORN COMP	1	
	38200	38200-PWB1-900	BLADE FUSE 30A	BLADE FUSE 30A	1	
	38300	38300-LBC6-90A	RELAY COMP WINKER	RELAY COMP WINKER	1	
	38500	38500-LGL3-90A	RELAY ASSY LIGHT	RELAY ASSY LIGHT	2	
	3920A	3920A-LKK7-E00	ASSY ECU	ASSY ECU	1	

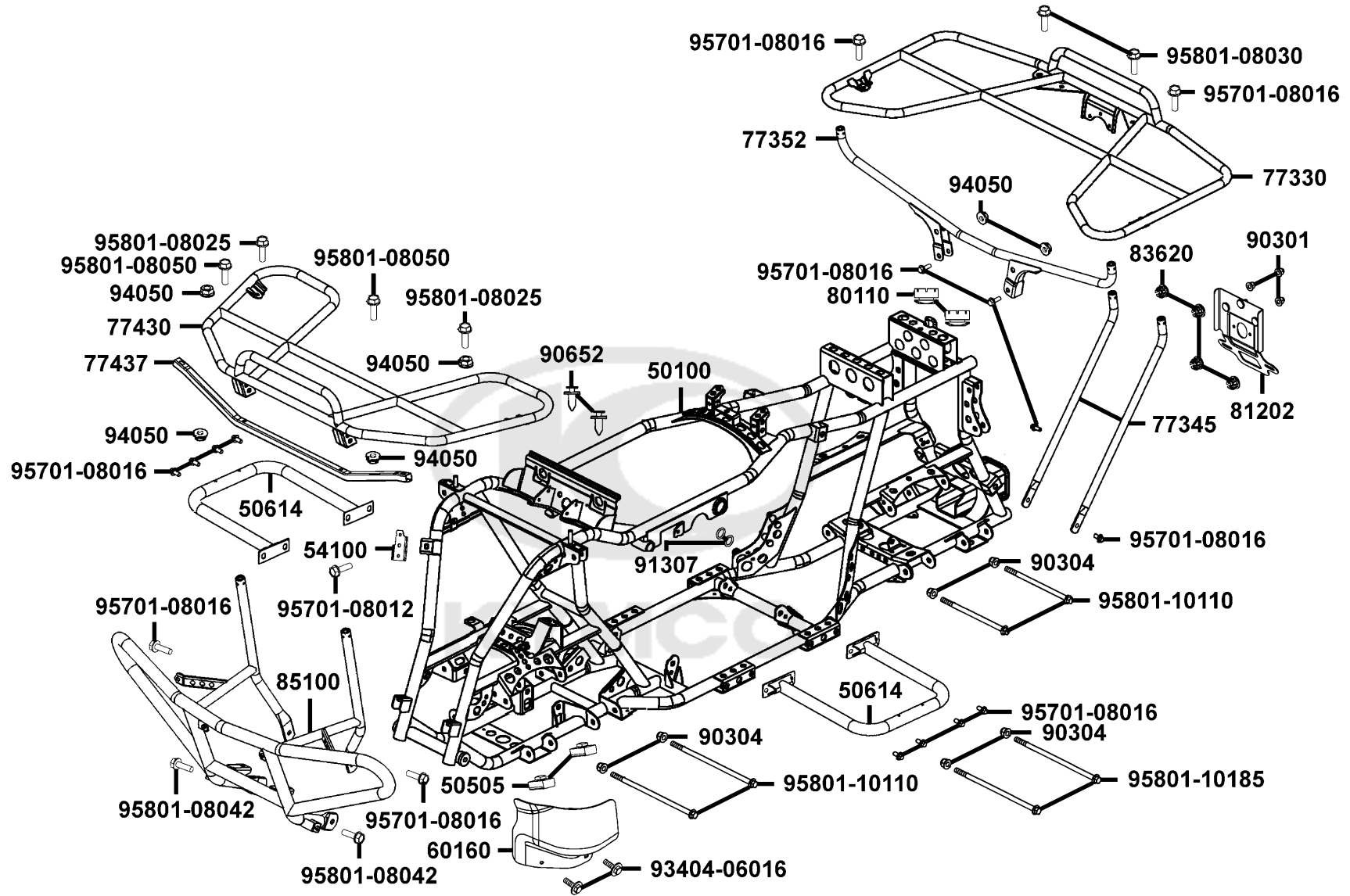




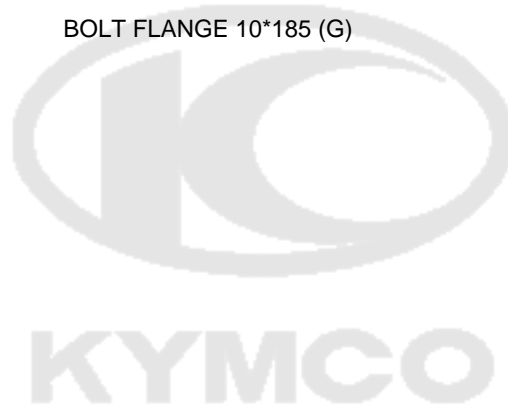
Sales mark	Ref no	Part no	Description	Reg description	Regd no	F20
53600		53600-KKAK-325	LOCK STEERING HANDLE ASSY	LOCK STEERING HANDLE ASSY	1	
90164		90164-0H28-900	SCREW FLAT U LOCK 6*12	SCREW FLAT U LOCK 6*12	2	
90656		90656-KCBC-900	BAND OIL HANDLE 8X146	BAND OIL HANDLE 8X146	10	
93401		93401-04025-06	BOLT WASHER 4X25	BOLT WASHER 4X25	1	
93894		93894-04022-06	SCREW WASHER 4X22	SCREW WASHER 4X22	1	
94050		94050-06080	NUT FLANGE 6MM	NUT FLANGE 6MM	8	
95701-06012		95701-06012-06	BOLT FLANGE 6*12 **07 C.2005.07.01	BOLT FLANGE 6X12	1	
95701-06016		95701-06016-06	BOLT FLANGE 6*16 (K)	BOLT FLANGE 6X16	1	
98200-33000		98200-33000	BLADE FUSE 30A	BLADE FUSE 30A	2	
98200-41000		98200-41000	FUSE 10A	FUSE 10A	5	
98200-41500		98200-41500	FUSE 15A	FUSE 15A	3	

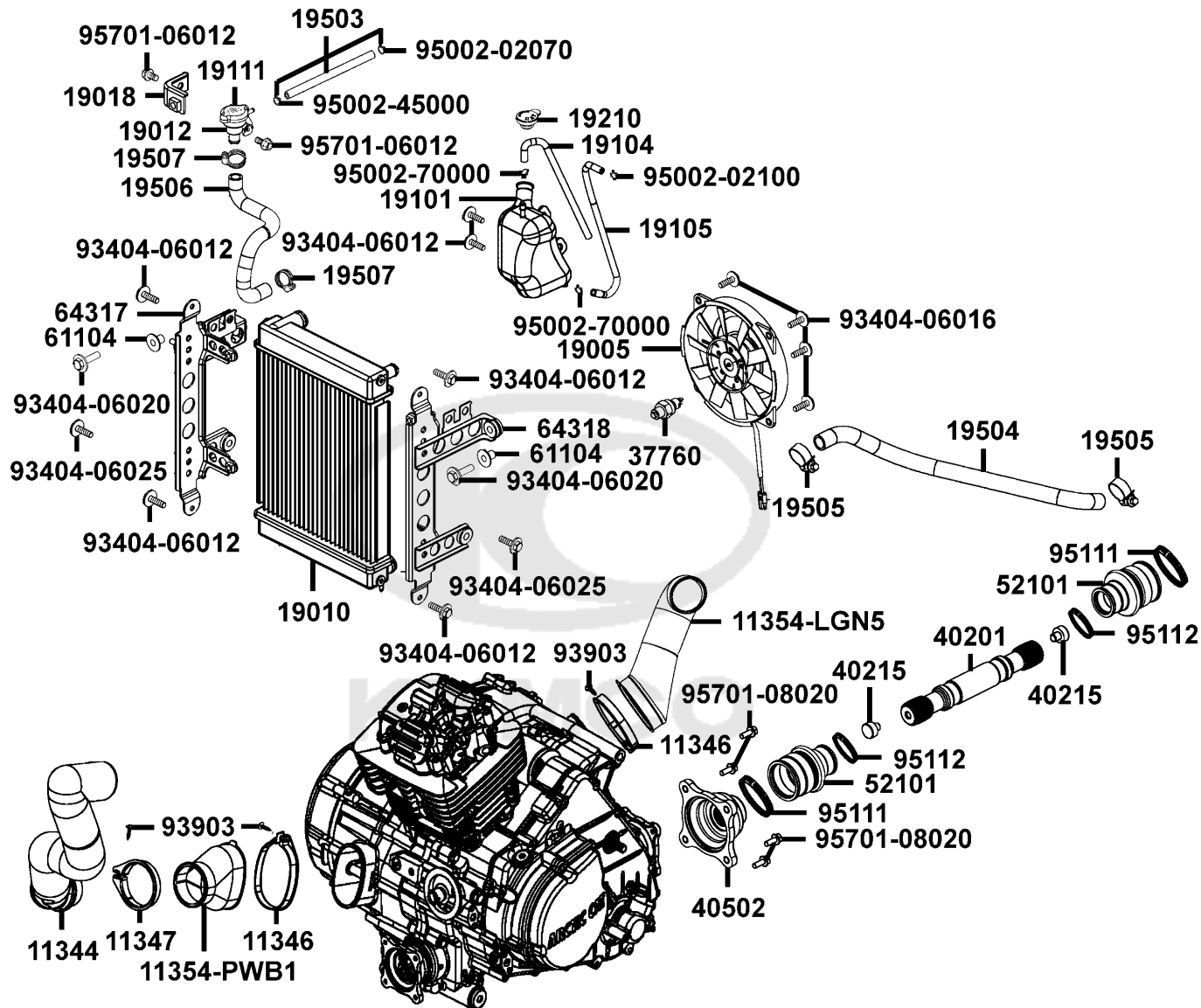


Sales mark	Ref no	Part no	Description	Reg description	Regd no	F21
	50100	50100-LKK7-E00	BODY COMP..FRAME	BODY COMP..FRAME	1	
	50505	50505-KEBE-900	STOPPER RUBBER	STOPPER RUBBER	2	
	50614	50614-PWB1-900	FOOTREST WELDMENT	FOOTREST WELDMENT	2	
	54100	54100-LGC7-E00	STAY ELE SET	STAY ELE SET	1	
**	60160	60160-LGC7-E00	PROTECTOR HOSE	PROTECTOR HOSE	1	
	77330	77330-LKK7-E00	RACK REAR	RACK REAR	1	
	77345	77345-LKK7-E00	TUBE REAR MOUNT-REAR RACK	TUBE REAR MOUNT-REAR RACK	2	
	77352	77352-LFA5-E00	TUBE RACK MOUNT	TUBE RACK MOUNT	1	
	77430	77430-LKK7-E00	RACK FRONT	RACK FRONT	1	
	77437	77437-LGC3-E00	TUBE REAR MOUNTIMG-FRONT	TUBE REAR MOUNTIMG-FRONT	1	
	80110	80110-LBA7-900	RUBBER REAR FENDER	RUBBER REAR FENDER	2	
	81202	81202-LDB5-E00	STAY NUMBER PLATE	STAY NUMBER PLATE	1	
	83620	83620-LFA5-E00	CAP PIPE	CAP PIPE	4	
	85100	85100-LKK7-E00	BUMPER FRONT	BUMPER FRONT	1	
	90301	90301-6C93-001	NUT 6MM OPENSTAY	NUT 6MM OPENSTAY	3	
	90304	90304-GLW0-90A	NUT U FLANGE 10MM	NUT U FLANGE 10MM	6	
	90652	90652-LDB5-900	CLIP MUDGUARD	CLIP MUDGUARD	2	
	91307	91307-PWB1-900	O-RING 10.82X1.778	O-RING 10.82X1.778	2	
	93404-06016	93404-06016-06	BOLT WASHER 6*16	BOLT WASHER 6*16	2	
	94050	94050-08060	NUT FLANGE 8MM	NUT FLANGE 8MM	6	



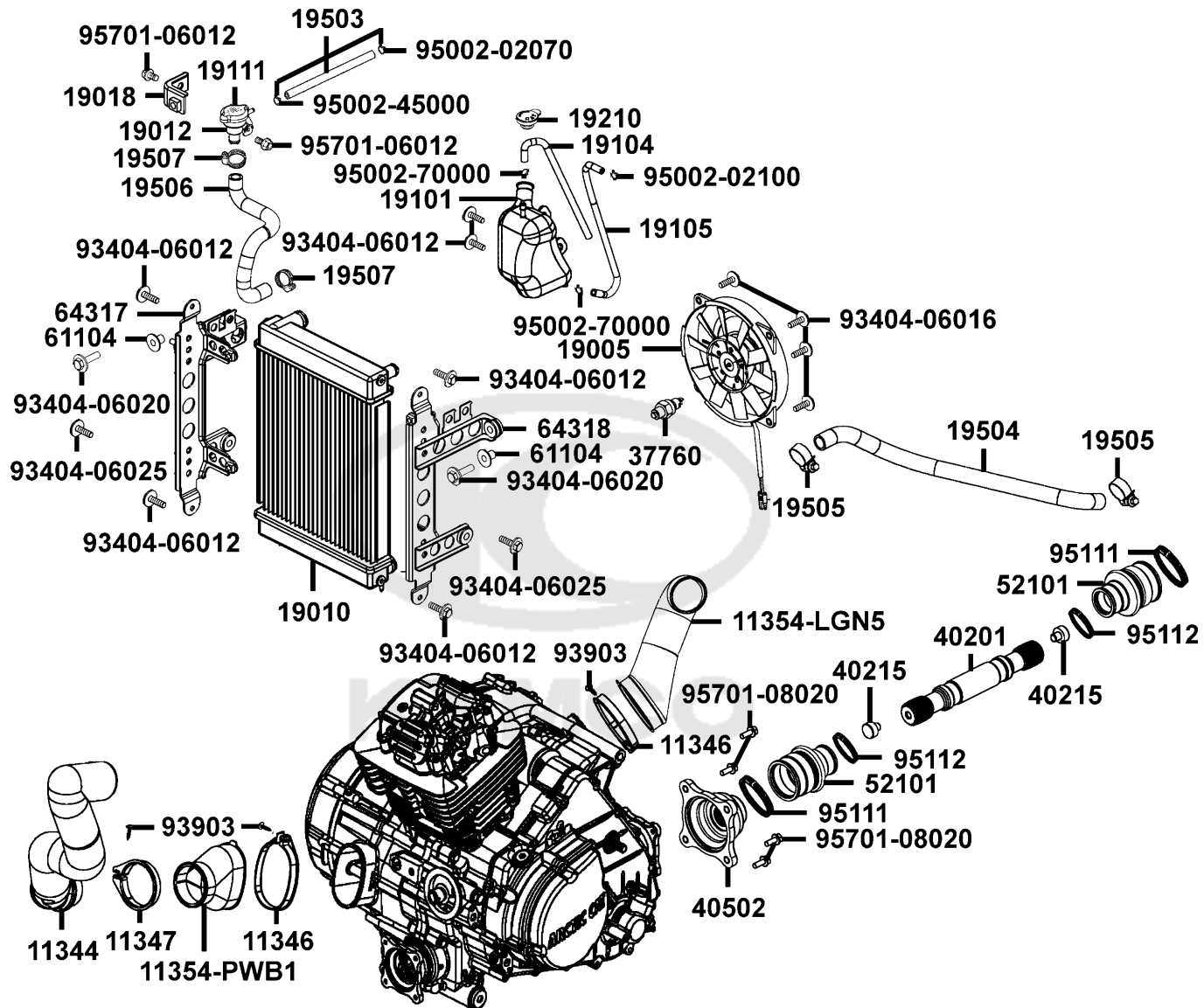
Sales mark	Ref no	Part no	Description	Reg description	Regd no	F21
	95701-08012	95701-08012-06	BOLT FLANGE 8*12	BOLT FLANGE 8*12	1	
	95701-08016	95701-08016-06	BOLT FLANGE 8*16	BOLT FLANGE 8*16	16	
	95801-08025	95801-08025-06	BOLT FLANGE 8*25	BOLT FLANGE 8*25	2	
	95801-08030	95801-08030-06	BOLT FLANGE 8*30	BOLT FLANGE 8*30	2	
	95801-08042	95801-08042-06	BOLT FLANGE 8*42	BOLT FLANGE 8*42	2	
	95801-08050	95801-08050-06	BOLT FLANGE 8*50	BOLT FLANGE 8*50	2	
	95801-10110	95801-10110-06	BOLT FLANGE 10*110	BOLT FLANGE 10*110	4	
	95801-10185	95801-10185-06	BOLT FLANGE 10*185 (G)	BOLT FLANGE 10*185 (G)	2	





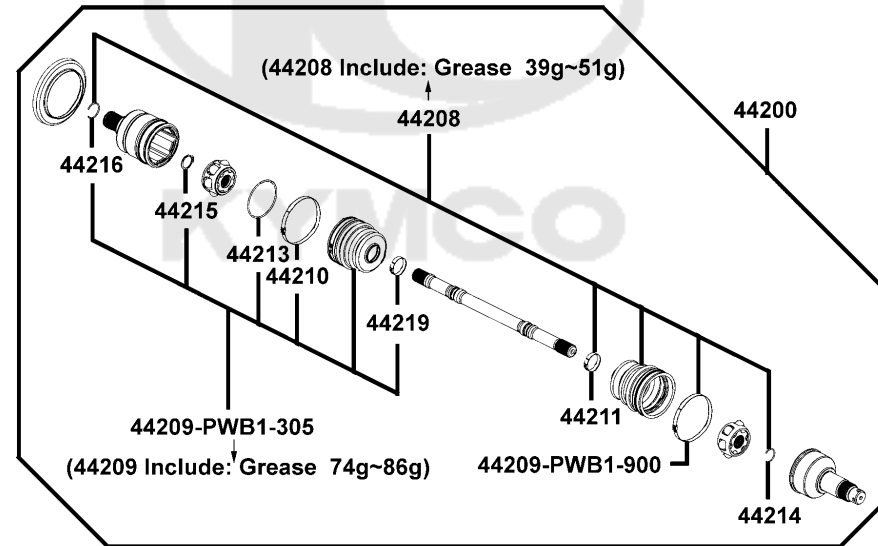
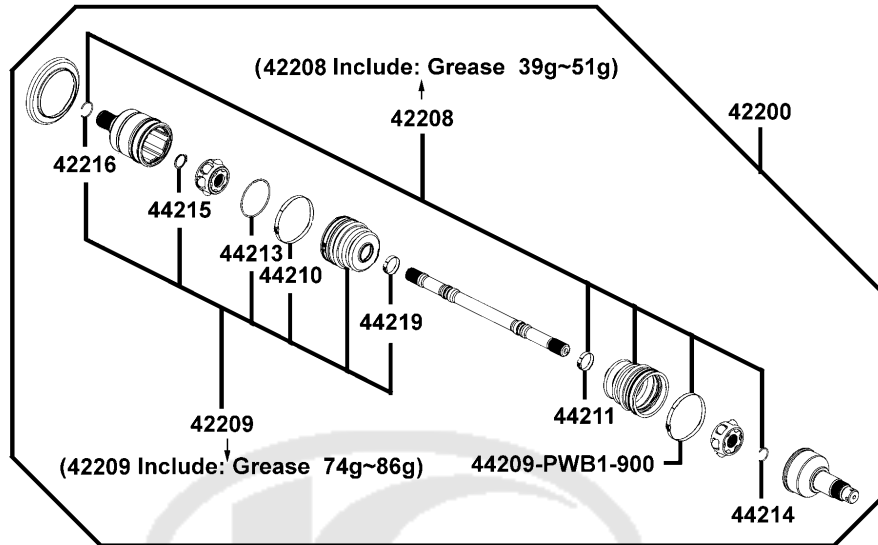
Sales mark	Ref no	Part no	Description	Reg description	Regd no	<b>F22</b>
	11344	11344-PWB1-900	DUCT BELT-AIR IN	DUCT BELT-AIR IN	1	
	11346	11346-PWB1-900	CLAMP PLASTC-SCREW-OVAL	CLAMP PLASTC-SCREW-OVAL	2	
	11347	11347-PWB1-900	CLAMP PLASTC-SCREW-OVAL	CLAMP PLASTC-SCREW-OVAL	1	
	11354-LGN5	11354-LGN5-E00	BOOT AIR-OUT	BOOT AIR-OUT	1	
	11354-PWB1	11354-PWB1-900	BOOT AIR-IN	BOOT AIR-IN	1	
	19005	19005-LDB5-E00	SHROUD ASSY	SHROUD ASSY	1	
	19010	19010-LKK7-900	RADIATOR COMP	RADIATOR COMP	1	
	19012	19012-KHD8-900	UNIT RADIATOR	UNIT RADIATOR	1	
	19018	19018-PTA1-900	STAY.UNIT RADIATOR	STAY.UNIT RADIATOR	1	
	19101	19101-PTA1-900	TANK RESERVE	TANK RESERVE	1	
	19104	19104-PTA1-900	HOSE ASSY DRAIN	HOSE ASSY DRAIN	1	
	19105	19105-PTA1-E00	HOSE ASSY.WATER	HOSE ASSY.WATER	1	
	19111	19111-GBE2-004	CAP COMP	CAP COMP	1	
	19210	19210-KKC4-900	CAP RESERVE TANK	CAP RESERVE TANK	1	
	19503	19503-PTA1-E00	HOSE ASSY.WATER	HOSE ASSY.WATER	1	
	19504	19504-LKK7-E00	HOSE WATER	HOSE WATER	1	
	19505	19505-LBA2-E00	CLAMP WATER HOSE	CLAMP WATER HOSE	2	
	19506	19506-LKK7-E00	HOSE WATER	HOSE WATER	1	
	19507	19507-LBA2-E00	CLAMP D 27.5	CLAMP D 27.5	2	
	37760	37760-KHD8-900	SW ASSY THERMO	SW ASSY THERMO	1	





Sales mark	Ref no	Part no	Description	Reg description	Regd no	F22
40201		40201-PWB1-900	SHAFT PROPELLER-REAR	SHAFT PROPELLER-REAR	1	
40215		40215-PWB1-900	BUMPER DRIVESHAFT	BUMPER DRIVESHAFT	2	
40502		40502-PRB2-900	FLANGE OUTPUT	FLANGE OUTPUT	1	
52101		52101-PWB1-900	BOOT COUPLER	BOOT COUPLER	2	
61104		61104-3G57-001	COLLAR FR FENDER	COLLAR FR FENDER	2	
64317		64317-LKK7-900	BRKT R RADIATOR	BRKT R RADIATOR	1	
64318		64318-LKK7-900	BRKT L RADIATOR	BRKT L RADIATOR	1	
93404-06012		93404-06012-06	BOLT WASHER 6*12 (G)	BOLT WASHER 6X12	6	
93404-06016		93404-06016-06	BOLT WASHER 6*16	BOLT WASHER 6*16	4	
93404-06020		93404-06020-06	BOLT WASHER 6*20 (G)	BOLT WASHER 6X20	2	
93404-06025		93404-06025-06	BOLT WASHER 6*25	BOLT WASHER 6*25	2	
93903		93903-45360	SCREW TAPPING 5*16	SCREW TAPPING 5*16	3	
95002-02070		95002-02070	CLIP B7 TUBE	CLIP B7 TUBE	1	
95002-02100		95002-02100	CLIP B15 TUBE	CLIP B15 TUBE	1	
95002-45000		95002-45000	CLIP C8 TUBE	CLIP C8 TUBE	1	
95002-70000		95002-70000	CLIP C11 TUBE	CLIP C11 TUBE	2	
95111		95111-PWB1-900	CLAMP BOOT	CLAMP BOOT	2	
95112		95112-PWB1-900	CLAMP 30mm-BOOT	CLAMP 30mm-BOOT	2	
95701-06012		95701-06012-06	BOLT FLANGE 6*12 **07 C.2005.07.01	BOLT FLANGE 6X12	2	
95701-08020		95701-08020-06	BOLT FLANGE 8*20MM **07 C.2005.07.01	BOLT FLANGE 8*20MM **07 C.2005.07.01	4	


Separated Parts Of Halfshaft



Sales mark	Ref no	Part no	Description	Reg description	Regd no	F23
42200		42200-LGC3-900	HALFSHAFT. REAR	HALFSHAFT. REAR	1	
42208		42208-PWB1-305	WHEEL SIDE BOOT SERVICE KIT	WHEEL SIDE BOOT SERVICE KIT	1	
42209		42209-PWB1-305	DIFF SIDE BOOT SERVICE KIT	DIFF SIDE BOOT SERVICE KIT	1	
42216		42216-PWB1-900	CIRCLIP (DOJ STEM)	CIRCLIP (DOJ STEM)	1	
44200		44200-LGC3-900	HALFSHAFT FRONT	HALFSHAFT FRONT	1	
44208		44208-PWB1-305	WHEEL SIDE BOOT SERVICE KIT	WHEEL SIDE BOOT SERVICE KIT	1	
44209-PWB1-305		44209-PWB1-305	DIFF SIDE BOOT SERVICE KIT	DIFF SIDE BOOT SERVICE KIT	1	
44209-PWB1-900		44209-PWB1-900	BOOT-BAND (L)	BOOT-BAND (L)	2	
44210		44210-PWB1-900	BOOT-BAND (L)	BOOT-BAND (L)	2	
44211		44211-PWB1-900	BOOT-BAND (S)	BOOT-BAND (S)	2	
44213		44213-PWB1-900	CIRCLIP (DOJ MONTH)	CIRCLIP (DOJ MONTH)	2	
44214		44214-PWB1-900	CIRCLIP	CIRCLIP	2	
44215		44215-PWB1-900	SNAP RING	SNAP RING	2	
44216		44216-PWB1-900	CIRCLIP (DOJ STEM)	CIRCLIP (DOJ STEM)	1	
44219		44219-PWB1-900	BOOT-BAND (S)	BOOT-BAND (S)	2	

**WARNING**

Improper ATV use can result in SEVERE INJURY or DEATH



**ALWAYS USE AN APPROVED HELMET AND PROTECTIVE GEAR**

**NEVER USE WITH DRUGS OR ALCOHOL**

**NEVER operate:**

- without proper training or instruction
- at speeds too fast for your skills or the conditions.
- do not operate the vehicle after consuming alcohol or drugs.

**ALWAYS:**

- use proper riding techniques to avoid vehicle overturns on hill and rough terrain and in turns.
- for your safety, wear gear to include helmet gloves and foot protection.
- gasoline is flammable, shut off engine, avoid sparks and open flame when refueling.

LOCATE AND READ OPERATOR'S MANUAL. FOLLOW ALL INSTRUCTIONS AND WARNINGS

87515-LD06-E10

87515

**WARNING**

**UNDER 16**

Operating this ATV if you are under the age of 16 increases your chances of severe injury or death.

NEVER operate this ATV if you are under the age of 16.

87517-LD06-E10

87517

**WARNING**

IMPROPER TIRE PRESSURE OR OVERLOADING CAN CAUSE LOSS OF CONTROL. LOSS OF CONTROL CAN RESULT IN SEVERE INJURY OR DEATH.

OPERATING TIRE PRESSURE: Set with three cold

- Recommended:
- FRONT: 25-32 kpa, (0.25-0.32 kg/cm<sup>2</sup>), 3.5-4.5 psi
- REAR :25-32 kpa, (0.25-0.32 kg/cm<sup>2</sup>), 3.5-4.5 psi
- Never set tire pressure over the recommended.

87505-LD06-E10

87505

**CAUTION**

Before shifting, you must stop the machine and return the throttle lever to its closed position until the engine speed to the specified idling speed. Otherwise, the transmission may be damaged.

87322-LBA7-E000

87322

**WARNING**



Never carry passenger on this carrier.

Maximum load: 80 kg (180 lbs).

87556-LFA5-E01

87556-LFA5-E01

**WARNING**



Never carry passenger on this carrier.

Maximum load: 94 kg (208 lbs).

87556-LFA5-E00

87556-LFA5-E00

**WARNING**

Exceeding vehicle's towing limit could cause an accident. Reduce speed when towing a trailer. Read operator's manual for details.

MAXIMUM TONGUE WEIGHT : 38 lbs. (16 kg)

MAXIMUM TONGUE CAPACITY : 290 lbs. (131.5 kg)

87514-LFA5-E02

87514

Sales mark	Ref no	Part no	Description	Reg description	Regd no	F24
**	87322	87322-LBA7-E00	CAUTION SHIFIT GEARS	CAUTION SHIFIT GEARS	1	
**	87505	87505-LDB5-E01	LABEL TIRE ON ROAD	LABEL TIRE ON ROAD	1	
**	87514	87514-LFA5-E02	WARNING MAXIMUM CAPACITY	WARNING MAXIMUM CAPACITY	1	
**	87515	87515-LDB5-E01	DRIVE WARNING LIST-ON ROAD	DRIVE WARNING LIST-ON ROAD	1	
**	87517	87517-LDB5-E00	CAUTION DRIVE AGE 16	CAUTION DRIVE AGE 16	1	
**	87556-LFA5-E00	87556-LFA5-E00	WARNING CARRIER MAX LOAD (34 kg)	WARNING CARRIER MAX LOAD (34 kg)	1	
**	87556-LFA5-E01	87556-LFA5-E01	WARNING CARRIER MAX LOAD (68 kg)	WARNING CARRIER MAX LOAD (68 kg)	1	

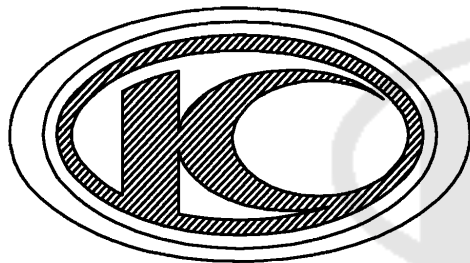




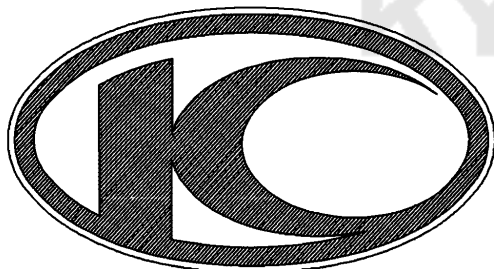
87532-LBE8



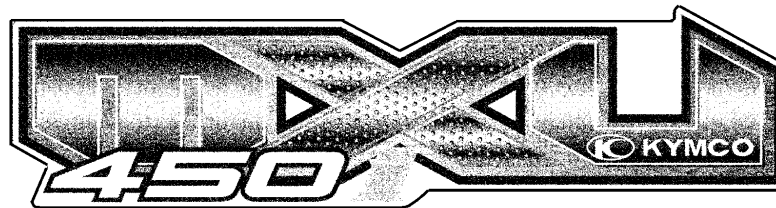
87532-LFA5



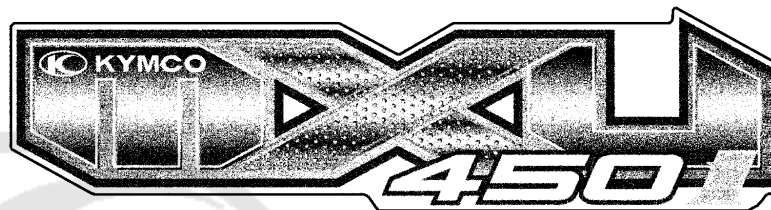
86102



87532-LCA5



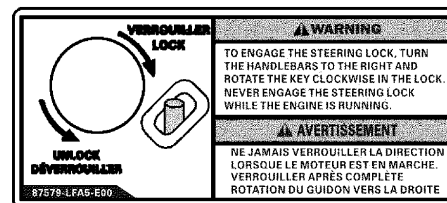
86223



86233



86303



87579

Sales mark	Ref no	Part no	Description	Reg description	Regd no	<b>F25</b>
**	86102	86102-LDB5-900	EMB K-LOGO 28.5mm-PP	EMB K-LOGO 28.5mm-PP	1	
**	86223	86223-LKK7-E61	STRIPE R FUEL TANK	STRIPE R FUEL TANK	1	
**	86233	86233-LKK7-E61	STRIPE L FUEL TANK	STRIPE L FUEL TANK	1	
**	86303	86303-LFA5-M30	STRIPE 4*4	STRIPE 4*4	2	
**	87532-LBE8	87532-LBE8-900	STRIPE KYMCO	STRIPE KYMCO	1	
**	87532-LCA5	87532-LCA5-900	STRIPE K-LOGO 60MM	STRIPE K-LOGO 60MM	1	
**	87532-LFA5	87532-LFA5-900	STRIPE KYMCO-165MM(PP)	STRIPE KYMCO-165MM(PP)	2	
**	87579	87579-LFA5-E00	WARNING DECAL HANDLEBAR LOCK	WARNING DECAL HANDLEBAR LOCK	1	





## PART NO. INDEX

PART NO.	VERSION	PAGE	PART NO.	VERSION	PAGE	PART NO.	VERSION	PAGE
<b>11000</b>			<b>12000</b>			14323-PWB1-900	1	E03
11103-PTA1-800	1	E01	12100-PTA1-900	5	E04	14324-PWB1-900	2	E03
11105-PTA1-800	1	E01	12191-PTA1-900	1	E04	14401-PWB1-900	2	E04
11106-PWB1-900	2	E01	12206-LBA2-E00	3	E03	14420-PTA1-900	7	E03
11107-PWB1-900	2	E01	12209-PWB1-900	2	E03	14430-PTA1-900	7	E03
11108-PWB1-900	4	E01	1220A-PTA1-800	4	E03	14433-PTA1-900	3	E03
1110A-PTA1-900	2	E01	1220C-LGC7-305	1	E03	14434-PTA1-900	2	E03
11203-PWB1-900	2	E01	12251-PTA1-900	3	E04	14452-PTA1-900	1	E03
11330-PTA1-900	7	E05	12302-PTA1-900	1	E03	14510-PWB1-900	3	E04
11331-PWB1-900	2	E02	1236A-PWB1-900	2	E03	14520-GFY6-90C	2	E04
11332-PWB1-900	1	E05	<b>13000</b>			14523-KED9-900	1	E04
11333-LFA5-900	3	E02	13000-PWB1-900	12	E04	14531-PWB1-900	9	E04
11334-PWB1-900	1	E02	13011-PTA1-90B	1	E04	14610-PTA1-900	3	E04
11335-PWB1-900	2	E01	13101-LGC7-E00	4	E04	14711-PTA1-900	4	E03
11335-PWB1-900	2	E02	13111-PWB1-900	3	E04	14721-PTA1-900	3	E03
11344-PWB1-900	2	F22	13418-PWB1-900	4	E04	14751-PTA1-900	1	E03
11346-PWB1-900	2	F22	13421-PTA1-900	3	E04	14771-PWB1-900	3	E03
11347-PWB1-900	2	F22	<b>14000</b>			14777-PWB1-900	3	E03
11354-LGN5-E00	1	F22	14100-PTA1-910	1	E03	14781-MFA6-001	0	E03
11354-PWB1-900	4	F22	14321-PTA1-900	4	E03	<b>15000</b>		
11394-PWB1-900	2	E05	<b>14000</b>			15100-PWB1-900	4	E07
11395-PWB1-900	2	E02	<b>14000</b>			15112-PWB1-900	1	E01
11396-PWB1-900	2	E02	<b>14000</b>			15131-PWB1-900	2	E04
11496-PWB1-900	1	E05	<b>14000</b>			15133-PWB1-900	3	E07

## PART NO. INDEX

PART NO.	VERSION	PAGE	PART NO.	VERSION	PAGE	PART NO.	VERSION	PAGE
15200-PWB1-900	2	E05	16911-LGC7-E00	4	F10	17500-LGC3-E00	5	F10
1541A-PWB1-900	1	E01	16958-KHB4-900	1	E05	17505-PWB1-900	0	F13
15420-PWB1-900	2	E01				17507-PWB1-900	3	F13
15436-PWB1-900	3	E01	<b>17000</b>			17508-LGC7-E00	1	E03
15438-PWB1-900	2	E01				17522-PWB1-900	1	F10
15438-PWB1-900	2	E03	1711A-LGC3-E01	3	E03	17531-LGC7-E00	1	F10
15439-PWB1-910	0	E01	17200-LFA5-E00	0	F13	17551-PTA1-800	3	F10
15510-PTA1-900	3	E05	17206-PWB1-900	1	F13	17556-PTA1-800	1	F10
1565A-PWB1-900	6	E05	17208-PWB1-900	0	F13	1755A-PTA1-800	9	F10
15711-PWB1-900	1	E04	17212-PWB1-900	0	F13	17560-LGC7-E00	1	F12
			17214-PWB1-900	1	F13	17561-LKB9-900	1	F10
<b>16000</b>			17215-PWB1-900	6	F13	17564-PTA1-800	0	F10
			1721A-PWB1-900	2	F13	1763A-LGN5-MY0	1	F10
16053-PTA1-800	2	E11	17221-PWB1-900	0	F13	17700-LKK7-E00	2	F05
16054-PTA1-800	3	E11	17228-PWB1-900	2	F13	17710-LKK7-E00	1	F05
16059-LDB5-E00	4	E11	17230-PWB1-900	6	F13	17910-LFA5-E00	2	F03
16072-PTA1-800	4	E11	17231-PWB1-900	5	F13			
16081-PTA1-E00	2	E11	17253-PWB1-900	4	F13	<b>18000</b>		
16100-PTA1-E00	7	E11	17254-PWB1-900	5	F13			
16110-KGC5-900	1	E11	17255-PWB1-900	1	F13	18291-PTA1-900	1	F14
16113-PTA1-800	4	E11	17256-LGC3-E01	1	F13	18293-PWB1-900	4	F14
16118-LBF2-900	2	E11	17257-PWB1-900	6	F13	18305-PWB1-900	1	F14
16134-LDB5-E00	3	E11	17258-PWB1-900	0	F13	1830A-LGC3-E00	3	F14
16137-PTA1-800	2	E11	17259-PWB1-900	0	F13	18310-PTA1-E00	2	F14
1670A-PTA1-800	2	F10	17291-PWB1-900	1	F13	18317-PTA1-900	0	F14
16771-PTA1-E00	2	E11	17292-PWB1-900	1	F13	18318-PWB1-900	2	F14

## PART NO. INDEX

PART NO.	VERSION	PAGE	PART NO.	VERSION	PAGE	PART NO.	VERSION	PAGE
18320-PTA1-E00	5	F14	19503-PTA1-E00	2	F22	22402-PWB1-900	0	E06
18328-LFA5-910	0	F14	19504-LBA2-E00	3	E05	2261A-PWB1-900	5	E06
18329-PWB1-700	0	F14	19504-LBA2-E00	3	F10	2262A-LFA5-900	4	E06
18339-PWB1-900	1	F14	19504-LKK7-E00	2	F22	2262A-PWB1-900	3	E06
18391-PTA1-900	1	F14	19505-LBA2-E00	4	E05	22630-PWB1-900	0	E06
			19505-LBA2-E00	4	F22	22631-LFA5-900	5	E06
<b>19000</b>			19505-LKK7-900	1	E05	22641-LFA5-900	2	E06
			19506-LKK7-E00	2	F22	22641-PWB1-900	2	E06
19005-LDB5-E00	3	F22	19507-LBA2-E00	1	E05	2266A-LFA5-900	6	E06
19010-LKK7-900	1	F22	19507-LBA2-E00	1	F22			
19012-KHD8-900	4	F22	19507-LDB5-E00	1	E05	<b>23000</b>		
19018-PTA1-900	1	F22	19523-PTA1-900	2	E05			
19101-PTA1-900	1	F22				2301A-LGC7-E00	3	E06
19104-PTA1-900	1	F22	<b>22000</b>			23100-PWB1-900	1	E06
19105-PTA1-E00	1	F22				23103-PTA1-900	5	E04
19111-GBE2-004	1	F22	22102-LFA5-900	8	E06	23201-PWB1-900	4	E06
19210-KKC4-900	0	F22	22105-ALE8-E00	3	E06	23210-PWB1-900	2	E08
19229-LDB5-E00	1	E05	22110-ALE8-E00	4	E06	23220-LFA5-900	8	E06
1922A-PTA1-900	4	E05	22121-LGC7-305	0	E06	23223-LFA5-900	4	E06
1922B-PTA1-900	9	E05	22127-LDB5-E00	0	E06	23230-PWB1-900	2	E08
19300-PTA1-900	1	E05	22127-LFA5-900	2	E06	23233-LGC7-E00	1	E06
19310-LDB5-E00	2	E05	22128-LFA5-900	2	E06	23237-LFA5-900	4	E06
19315-LBA2-E00	2	E05	22128-PWB1-900	3	E06	23240-LFA5-900	6	E06
19316-PTA1-900	5	E05	22131-PWB1-900	3	E06	23250-LFA5-900	5	E06
19317-LBA2-E00	1	E05	22132-PWB1-305	0	E06	23252-LFA5-900	1	E06
19502-PTA1-900	4	E05	22402-LFA5-900	2	E06	23256-LFA5-900	1	E06

## PART NO. INDEX

PART NO.	VERSION	PAGE	PART NO.	VERSION	PAGE	PART NO.	VERSION	PAGE
23411-PTA1-900	2	E08	24305-PWB1-900	1	E08	28110-PWB1-900	4	E07
23421-PWB1-900	4	E08	24310-PWB1-900	4	E08	28112-PWB1-900	1	E07
23425-PWB1-900	2	E08	24411-PWB1-900	5	E08	28113-PWB1-900	2	E07
23430-PWB1-900	2	E10	24421-PWB1-900	1	E01	28120-PWB1-900	3	E07
23431-PWB1-900	4	E10	24430-PWB1-900	2	E08			
23441-PWB1-900	6	E10	24435-PTA1-800	1	E08	<b>30000</b>		
23451-PWB1-900	3	E08	24610-PWB1-900	2	E08			
23471-PWB1-900	3	E08	2461A-PWB1-900	2	E08	30300-KED9-900	0	E07
23472-PWB1-900	2	E08	24702-LFA5-E00	2	F15	3051A-PRB8-900	3	F20
23473-PWB1-900	1	E08	24703-PWB1-900	3	F15	30700-PTA1-800	5	F20
23481-PWB1-900	2	E08	24704-PWB1-900	2	F13			
23510-PWB1-900	2	E08	24704-PWB1-900	2	F15	<b>31000</b>		
23511-PTA1-900	2	E08	24705-PWB1-900	3	F15			
23512-PWB1-900	3	E08	24707-LFA5-E00	2	F15	31110-PTA1-800	3	E07
23518-PWB1-900	3	E08	24708-PWB1-900	1	F15	31120-LFA5-E00	2	E07
23519-PWB1-900	1	E10	2470A-LFA5-E00	4	F15	31210-PTA1-800	2	E07
23521-PWB1-900	2	E08	24721-PWB1-900	2	F15	31350-LDB5-E0A	2	E05
<b>24000</b>			24722-PWB1-900	3	F15	31500-LDB5-E0A	5	F11
			24723-PWB1-900	3	F15	31500-LDB5-E0B	5	F11
			24781-LFA5-E00	0	F15	31600-PRB8-900	2	F20
24080-PWB1-900	3	F15	2478A-LFA5-E00	2	F15	31601-LDB5-E00	4	F20
24221-PWB1-900	4	E08	<b>28000</b>			31605-PRB2-900	1	F05
24241-PWB1-900	3	E08				3195A-LBA7-E00	1	F20
24242-PWB1-900	5	E08						
24301-PWB1-900	4	E08	28101-PWB1-900	3	E07			
24302-PWB1-900	4	E08	28102-PWB1-900	2	E07			

## PART NO. INDEX

PART NO.	VERSION	PAGE	PART NO.	VERSION	PAGE	PART NO.	VERSION	PAGE
<b>32000</b>			33709-KBAB-003	0	F19	<b>35000</b>		
32100-LKK7-E00	8	F20	33710-LFA5-E00	0	F19	35010-LFA5-900	1	F20
32161-4D04-001	2	F03	33715-LFA5-E00	0	F19	35010-LFA5-E00	1	F20
32410-PTA1-800	1	E07	33720-LCA5-E00	2	F19	35107-PWB1-900	1	E07
32411-2C53-001	0	E07	33722-KHB4-E00	0	F19	35108-PWB1-900	1	E05
32411-LGN5-E00	4	F20	33725-KHB4-E00	0	F19	35111-KUDU-305-M2	0	F20
32412-PTA1-800	1	E07	33726-LCA5-E00	0	F19	35111-KUDU-306-M2	0	F20
<b>33000</b>			33740-LFA5-E00	1	F19	35111-LFA5-305-M2	0	F20
33100-LFA5-E00	3	F01	33744-LFA5-E00	0	F19	35111-LFA5-306-M2	0	F20
33110-LFA5-E00	1	F01	33745-LFA5-E00	1	F19	3515A-LDB5-E00	3	F03
33120-LFA5-E00	1	F01	33749-LFA5-E00	0	F19	3520A-LDB5-E00	1	F03
33130-LFA5-E00	0	F01	33750-LFA5-E00	3	F19	35340-LDB5-900	0	F04
33150-LFA5-E00	3	F01	33751-LFA5-E00	0	F19	35340-PWB1-E00	1	F15
33400-LFA5-E00	1	F18	<b>34000</b>			35380-LDF2-900	2	F20
33401-LFA5-E00	0	F18	34300-KKE3-900	4	E11	35759-PWB1-900	6	E01
33406-LFA5-E00	0	F18	34301-KKE3-900	2	E11	35850-LBA2-E00	1	F20
33450-LFA5-E00	1	F18	34901-KFA6-900	0	F01	<b>37000</b>		
33451-LFA5-E00	0	F18	34903-KPCP-900	0	F01	37119-PTA1-800	0	F02
33456-LFA5-E00	0	F18	34903-KPCP-900	0	F19	37200-LKK7-E00	2	F02
33700-LFA5-E00	3	F19	34905-LBA7-E00	0	F18	37760-KHD8-900	1	F22
33701-LFA5-E00	0	F19	34905-LBA7-E00	0	F19	37802-LGC3-E00	1	F10
33706-GCN3-67A	0	F19	34906-KPCP-900	0	F19			

## PART NO. INDEX

PART NO.	VERSION	PAGE	PART NO.	VERSION	PAGE	PART NO.	VERSION	PAGE
<b>38000</b>			40401-PWB1-900	2	E10	42200-LGC3-900	4	F23
			4040A-PWB1-900	3	E10	42208-PWB1-305	0	F23
			40502-PRB2-900	0	E10	42209-PWB1-305	0	F23
38110-LDB5-E00	1	F20	40502-PRB2-900	0	F22	42216-PWB1-900	0	F23
38200-PWB1-900	0	F20				42400-LGC3-900	4	E09
38300-LBC6-90A	2	F20	<b>41000</b>			42400-LGC3-900	4	F07
38500-LGL3-90A	5	F20				42401-LFA5-900	1	E09
<b>39000</b>			41300-LGC3-900	2	F08	42401-LFA5-900	1	F17
			41300-LGC3-900	2	F17	42401-LFA5-90B	0	E09
			41311-LFA5-900	3	F17	42401-LFA5-90B	0	F17
3920A-LKK7-E00	4	F20	41431-LFA5-900	5	F17	42402-LFA5-900	2	E09
39300-LFA5-E00	6	E09	41435-LFA5-900	2	E09	42402-LFA5-900	2	F17
39300-PTA1-800	1	E03	41435-LFA5-900	2	F17	42404-LFA5-900	2	E09
39301-LGC7-E00	1	E03	41436-LFA5-900	2	F17	42404-LFA5-910	2	F17
39302-KKE3-900	2	E03	41438-LFA5-900	2	F17	42407-LFA5-900	1	E09
39306-LEB2-305	0	E03	41439-LFA5-900	2	F17	42407-LFA5-900	1	F17
39307-LEB2-305	0	E03	41440-LFA5-900	2	F17	42408-LFA5-900	5	E09
39400-LEA6-800	2	E03	41441-LFA5-900	2	F17	42409-LFA5-900	2	E09
39500-PTA1-800	1	E11	41442-LFA5-900	2	F17	42410-LFA5-900	3	E09
39700-PTA1-800	1	E11	41443-LFA5-900	2	F17	42410-LFA5-900	3	F17
<b>40000</b>			41444-LFA5-900	2	F17	42412-LFA5-900	1	E09
			41445-LFA5-900	2	F17	42412-LFA5-900	1	F17
			<b>42000</b>			42413-LFA5-900	2	E09
40201-PWB1-900	3	F22				42413-LFA5-900	2	F17
40215-PWB1-900	1	E10				42414-LFA5-900	3	E09
40215-PWB1-900	1	F22	42200-LGC3-900	4	F08	42415-LFA5-900	6	E09

## PART NO. INDEX

PART NO.	VERSION	PAGE	PART NO.	VERSION	PAGE	PART NO.	VERSION	PAGE
42416-LFA5-900	2	E09	42451-LFA5-900	3	F17	42753-KNBN-90B	1	F08
42418-LFA5-900	1	E09	42453-LGC3-900	1	E09			
42419-LFA5-900	1	E09	42453-LGC3-900	1	F17	<b>43000</b>		
42419-LFA5-900	1	F17	42454-LFA5-900	2	E09			
42421-LFA5-900	1	E09	42454-LFA5-910	2	F17	43100-LFA5-E00	3	F08
42422-LFA5-900	3	E09	42456-LFA5-900	5	E09	43110-LFA5-E00	0	F08
42422-LFA5-900	3	F17	42456-LFA5-900	5	F17	43127-LFA5-E00	3	F04
42423-LFA5-900	1	E09	42460-LFA5-900	2	E09	43140-LEC1-E00	0	F08
42423-LFA5-900	1	F17	42460-LFA5-900	2	F17	43143-LEC1-E00	0	F08
42425-LFA5-900	8	E09	42461-LFA5-900	2	E09	43146-LEC1-E00	0	F08
42425-LFA5-910	8	F17	42461-LFA5-900	2	F17	43147-LEC1-E00	0	F08
42428-LFA5-900	1	E09	42462-LFA5-900	2	E09	43450-LFA5-E00	3	F04
42430-LFA5-900	4	E09	42462-LFA5-900	2	F17	43500-LHM2-E00	1	F15
42430-LFA5-910	9	F17	42463-LFA5-900	2	E09	43525-PWA1-900	0	F04
42432-LFA5-900	7	E09	42463-LFA5-900	2	F17	43526-PWA1-900	0	F04
42442-LFA5-900	5	E09	42464-LFA5-900	2	E09	43527-PWA1-900	0	F04
42442-LFA5-900	5	F17	42464-LFA5-900	2	F17	43528-PWA1-900	0	F04
42446-LFA5-900	2	E09	42465-LFA5-900	2	E09	43530-LFA5-306	0	F04
42446-LFA5-900	2	F17	42465-LFA5-900	2	F17	43600-LDB5-E00	3	F04
42448-LFA5-900	1	E09	42466-LFA5-900	2	E09			
42448-LFA5-900	1	F17	42466-LFA5-900	2	F17	<b>44000</b>		
42449-LFA5-900	2	E09	42467-LFA5-900	2	E09			
42449-LFA5-900	2	F17	42467-LFA5-900	2	F17	44200-LGC3-900	4	F07
42449-LFA5-90B	0	E09	4270A-LFA5-E00	2	F08	44200-LGC3-900	4	F23
42449-LFA5-90B	0	F17	42710-LFA5-E00	3	F08	44208-PWB1-305	0	F23
42451-LFA5-900	3	E09	42753-KNBN-90B	1	F07	44209-PWB1-305	0	F23

## PART NO. INDEX

PART NO.	VERSION	PAGE	PART NO.	VERSION	PAGE	PART NO.	VERSION	PAGE
44209-PWB1-900	0	F23	45110-PWB1-305	0	F08	45521-LEA7-E00	1	F04
44210-PWB1-900	0	F23	45116-LEC1-E00	0	F08	45525-LBA7-900	0	F04
44211-PWB1-900	0	F23	45117-LEC1-E00	0	F08	45526-LBA7-900	0	F04
44213-PWB1-900	0	F23	45121-PWB1-900	2	F07	45527-LBA7-900	0	F04
44214-PWB1-900	0	F23	45121-PWB1-900	2	F08	45530-LDB5-305	1	F04
44215-PWB1-900	0	F23	45124-PWB1-E00	2	F04	45531-LEC1-E00	0	F08
44216-PWB1-900	0	F23	45125-LFA5-E00	6	F04			
44219-PWB1-900	0	F23	45126-LFA5-E00	5	F04	<b>46000</b>		
44705-LFA5-900	4	F07	45127-LFA5-E00	5	F04			
44705-LKK7-E00	2	F07	45128-LFA5-E01	1	F04	46500-LGN5-E00	2	F15
44705-LKK7-E00	2	F08	45132-LBA7-900	1	F04	46503-LFA5-E00	2	F15
4470A-LFA5-E00	2	F07	45133-LEC1-E00	0	F08			
4470A-LFA5-E00	2	F08	45200-PWB1-600	2	F07	<b>47000</b>		
44710-LFA5-E00	2	F07	45200-PWB1-600	2	F08			
			45203-LEC1-E00	0	F08	47400-PWB1-900	4	F06
<b>45000</b>			45230-PWB1-305	0	F07	47410-LDB5-E00	2	F07
			45230-PWB1-305	0	F08	47410-LDB5-E00	2	F08
45100-PWB1-600	2	F07	45232-LEC1-E00	0	F08	47450-PWB1-900	4	F16
45105-LFA5-305	0	F08	45352-PWB1-305	0	F07	47452-PWB1-900	2	F16
45105-PWB1-306	0	F07	45352-PWB1-305	0	F08	47453-PWB1-900	2	F16
45105-PWB1-306	0	F08	45513-KKC4-900	0	F04	47500-PWB1-900	4	F06
45107-LEC1-E00	0	F08	45513-LEA7-E00	1	F04	47550-PWB1-900	4	F16
45107-PWB1-305	0	F07	45517-KFAF-910	0	F04			
45107-PWB1-305	0	F08	45517-LDE9-E00	0	F04	<b>50000</b>		
45109-LEC1-E00	0	F08	45520-KKA8-900	0	F04			
45110-PWB1-305	0	F07	45520-KKC4-900	0	F04	50100-LKK7-E00	6	F21



## PART NO. INDEX

PART NO.	VERSION	PAGE	PART NO.	VERSION	PAGE	PART NO.	VERSION	PAGE
50144-PTA1-900	1	E05	52400-PWB1-900	6	F16	53410-PRB1-900	4	F06
50207-LGC7-E00	1	F11				53450-PWB1-900	13	F06
50225-PRB2-900	2	F05	<b>53000</b>			53500-PRB1-900	3	F06
50325-LGC7-E00	3	F11				53500-PWB1-900	13	F06
50326-LFA5-E00	2	F11	53100-LFA5-E00	4	F03	53550-PWB1-900	13	F06
50326-LGC7-E00	2	F11	53102-LGC3-E00	1	F03	53600-KKAK-325	0	F20
50505-KEBE-900	0	F21	53104-PWB1-900	2	F03	53700-PWB1-900	12	F06
50612-PWB1-900	2	F12	53105-PWB1-900	2	F03	53702-PWB1-900	4	F06
50614-PWB1-900	4	F21	53131-PWB1-900	1	F03	53703-PWB1-900	4	F06
			53166-PWB1-900	3	F03			
<b>51000</b>			53175-LFA5-305	0	F04	<b>54000</b>		
			53178-PWA1-900	0	F04			
51400-PWB1-900	6	F06	53190-LDE9-E00	0	F04	54100-LGC7-E00	1	F21
			53192-LDE9-E00	0	F04	54400-PRB1-900	1	F16
<b>52000</b>			53193-LDE9-E00	0	F04	54400-PWB1-E00	2	F16
			53194-LDE9-E00	0	F04	54450-LFA5-E00	1	F16
52101-PWB1-900	1	F22	53200-LFA5-E00	9	F06	54500-PRB1-900	1	F16
52102-PWB1-900	1	E10	53205-LKK7-E00	1	F03	54500-PWB1-E00	2	F16
52103-PWB1-900	2	F06	53205-LKK7-EV0	1	F03	54550-LFA5-E00	1	F16
52103-PWB1-900	2	F16	53250-PWB1-900	1	F06			
52104-PWB1-900	2	F06	53251-PWB1-900	1	F06	<b>60000</b>		
52104-PWB1-900	2	F16	53252-PWB1-900	1	F06			
52108-PWB1-900	3	F06	53253-PWB1-900	1	F06	60100-LFA5-E00	1	F05
52108-PWB1-900	3	F16	53261-PWB1-900	3	F06	60102-PWB1-900	1	F05
52144-PWB1-900	2	F06	53400-PRB1-900	3	F06	60102-PWB1-900	1	F12
52144-PWB1-900	2	F16	53400-PWB1-900	13	F06	60112-PWB1-900	1	F05

## PART NO. INDEX

PART NO.	VERSION	PAGE	PART NO.	VERSION	PAGE	PART NO.	VERSION	PAGE
60112-PWB1-900	1	F12	77330-LKK7-E00	1	F21			
60113-PWB1-900	1	F05	77345-LKK7-E00	0	F21	<b>85000</b>		
60113-PWB1-900	1	F12	77352-LFA5-E00	4	F21			
60130-LGC7-E00	2	F05	77430-LKK7-E00	1	F21	85100-LKK7-E00	1	F21
60140-LGC7-E00	1	F05	77437-LGC3-E00	6	F21			
60150-LFA5-E01	1	F05				<b>86000</b>		
60160-LGC7-E00	1	F21	<b>80000</b>					
60200-LFA5-E00	1	F05				86102-LDB5-900	3	F25
<b>61000</b>			80100-LKK7-E00	1	F12	86223-LKK7-E61	1	F25
			80103-LFA5-E00	1	F12	86233-LKK7-E61	1	F25
			80110-LBA7-900	1	F21	86302-LFA5-E00	2	F15
61104-3G57-001	0	F22	80121-LFA5-E01	1	F12	86303-LFA5-M30	1	F25
<b>64000</b>			80122-LGC3-E00	1	F12			
			80125-LGC3-E00	2	F12	<b>87000</b>		
			80130-PWB1-E00	2	F12			
64300-PWB1-910	1	F05				87322-LBA7-E00	3	F24
64301-LFA5-E00	2	F05	<b>81000</b>			87505-LDB5-E01	1	F24
64302-LFA5-E01	1	F05				87514-LFA5-E02	2	F24
64317-LKK7-900	4	F22	81202-LDB5-E00	1	F21	87515-LDB5-E01	2	F24
64318-LKK7-900	4	F22				87517-LDB5-E00	2	F24
<b>77000</b>			<b>83000</b>			87532-LBE8-900	2	F25
						87532-LCA5-900	1	F25
			83500-LKK7-E76	1	F12	87532-LFA5-900	1	F25
77200-LFA5-E00	3	F09	83505-LKK7-E00	2	F12	87556-LFA5-E00	1	F24
77205-PWB1-900	1	F09	83600-LGC3-E00	1	F12	87556-LFA5-E01	1	F24
77206-LBA7-900	1	F09	83620-LFA5-E00	0	F21	87579-LFA5-E00	1	F25

## PART NO. INDEX

PART NO.	VERSION	PAGE	PART NO.	VERSION	PAGE	PART NO.	VERSION	PAGE
<b>88000</b>	1	F03	90110-LFA5-900	1	E09	90302-LLB1-E00	2	F13
			90110-PWA2-900	2	F03	90302-PWA1-900	2	F01
			90110-PWB1-900	1	F05	90302-PWA1-900	2	F11
88110-LBA7-E00	1	F03	90110-PWB1-900	1	F12	90302-SDA4-004	3	F12
88120-LBA7-E00	1	F03	90111-PWB1-900	3	F15	90304-GLW0-90A	1	F06
<b>89000</b>	3	F09	90112-KNBN-901	1	F11	90304-GLW0-90A	1	F16
			90112-KRDR-900	1	E01	90304-GLW0-90A	1	F21
			90113-KKA8-900	0	F04	90309-GLW0-90A	1	F13
89010-PWB1-900	3	F09	90114-1F66-007	2	F04	90322-PWB1-900	3	E08
89020-KKC4-900	1	F09	90131-LDB5-E00	1	F07	90342-PWB1-900	3	E10
<b>90000</b>	0	E05	90131-LDB5-E00	1	F08	90403-LFA5-900	2	F17
			90131-LFA5-E00	1	F08	90407-KAM1-001	0	E05
			90145-LEA3-E00	1	F04	90435-HCB3-001	0	E08
90002-KKAK-900	0	E05	90164-0H28-900	2	F20	90441-LBA2-E00	1	E10
90005-KED9-900	2	E04	90185-PWB1-900	2	F03	90443-KKE5-E00	1	E10
90012-3C33-001	1	E03	90202-PWB1-900	2	E08	90446-PWB1-900	2	E08
90031-PWB1-900	5	E03	90203-PWB1-900	2	E10	90451-LBA7-900	1	E08
90033-KGB4-C00	2	E03	90204-PWB1-900	3	E10	90452-LBA7-900	1	E08
90036-PWB1-900	6	E01	90204-PWB1-910	1	E10	90453-1G07-001	0	E08
90071-MLB0-001	0	E07	90205-LDB5-E00	4	E04	90454-KED9-900	1	E08
90081-PWB1-900	2	E01	90206-0A01-001	4	E03	90455-LBA7-900	1	E08
90084-KKE5-E00	5	E03	90301-6C93-001	1	F21	90459-PWB1-900	3	E08
90084-PWB1-900	4	E05	90301-6D34-671	1	F15	90461-PWB1-900	3	E03
9008A-PTA1-900	3	E05	90301-PWB1-900	4	F07	90461-PWB1-900	3	E05
90106-PWB1-900	1	F07	90301-PWB1-900	4	F08	90474-1G47-001	0	E07
90106-PWB1-900	1	F08	90302-GFY6-940	1	F10	90474-3C33-001	1	E02

## PART NO. INDEX

PART NO.	VERSION	PAGE	PART NO.	VERSION	PAGE	PART NO.	VERSION	PAGE
90474-3C33-001	1	E05						
90474-7D04-000	0	E08	<b>91000</b>			<b>92000</b>		
90478-7L00-001	0	E05						
90481-0E35-001	1	E04	91002-PTA1-900	0	E01	92101-05012-0G	0	E05
90501-3L10-001	0	F15	91002-PWB1-90A	1	E01	92101-05012-0G	0	E07
90501-KNBN-901	0	E10	91003-PWB1-900	0	E01	92101-06012-0HN	0	E03
90505-4E25-001	0	F13	91004-PWB1-90D	1	E02	92101-PWB1-900	1	F10
90545-3L00-001	2	F04	91021-LDB5-E00	2	E06	92900-06040-0E	2	E01
90545-3L00-001	2	F15	91021-PWB1-90B	1	E08	92900-PTA1-900	2	E03
90561-PWB1-900	3	E03	91104-PWB1-90A	1	E07			
90562-PWB1-900	1	E05	91201-PWB1-90C	2	E02	<b>93000</b>		
90601-LFA5-900	3	E06	91202-PWB1-900	1	E01			
90605-0210	0	E06	91209-PWB1-900	2	E05	93401-04025-06	0	F20
90652-LCA4-E00	1	F03	91251-PWB1-900	2	E01	93403-05012-06	0	E01
90652-LCA4-E00	1	F05	91256-PWB1-900	3	E10	93403-PWB1-900	1	F14
90652-LCA4-E00	1	F12	91302-5G67-004	0	E05	93404-06012-06	0	F05
90652-LDB5-900	3	F12	91302-PTA1-800	1	E03	93404-06012-06	0	F12
90652-LDB5-900	3	F21	91303-PWB1-900	1	E03	93404-06012-06	0	F22
90652-PWB1-900	1	F05	91304-PWB1-900	1	E06	93404-06016-06	0	F05
90652-PWB1-900	1	F15	91306-1E05-691	0	E04	93404-06016-06	0	F21
90656-KCBC-900	0	F20	91306-PTA1-900	5	E05	93404-06016-06	0	F22
90677-GAR1-004	1	F05	91307-0E35-001	0	E05	93404-06020-06	1	F12
90677-GAR1-004	1	F11	91307-PWB1-900	1	F21	93404-06020-06	1	F22
90701-LDB5-E00	4	E04	91309-4E25-004	0	E07	93404-06025-06	0	F22
90912-KFLF-00A	0	E02	91313-KED9-900	3	E05	93406-08016-06	0	F12
			91508-KGV7-67A	0	F19	93500-05012-0F	0	E11

## PART NO. INDEX

PART NO.	VERSION	PAGE	PART NO.	VERSION	PAGE	PART NO.	VERSION	PAGE
93500-06025-0FN	0	E07	94001-LLB1-900	2	F15	94052-PWB1-900	5	E06
93500-PWB1-900	2	E01	94001-PWB1-700	0	F06	94101-06700	0	F14
93500-PWB1-900	2	E02	94001-PWB1-800	0	F06	94101-08600	0	F03
93600-04012-1G	0	F04	94001-PWB1-900	4	E06	94101-PWB1-900	1	F06
93600-LDE9-E00	0	F04	94002-PWB1-900	3	E06	94102-08000	5	F15
93600-LEC1-E00	0	F08	94005-PWB1-900	2	E09	94102-PWB1-900	1	F15
93600-PWB1-900	3	E01	94005-PWB1-900	2	F17	94103-06800	0	F12
93891-04012-06	0	E11	94006-PWB1-900	2	F17	94103-08800	0	F15
93891-04014-06	0	E11	94011-LKA8-E00	1	F06	94111-06800	0	E11
93891-04028-06	0	E11	94011-PWB1-900	1	F07	94201-20120	0	F15
93894-04022-06	1	F20	94011-PWB1-900	1	F08	94201-25250	0	F06
93903-34360	0	F12	94030-PTA1-800	2	E11	94201-30400	0	F07
93903-34360	0	F19	94050-05060	0	F19	94201-30400	0	F08
93903-35260	0	F01	94050-06060	0	E05	94301-08060	0	F08
93903-35260	0	F05	94050-06060	0	F04	94301-08100	1	E01
93903-35260	0	F18	94050-06060	0	F15	94301-08120	0	E05
93903-35260	0	F19	94050-06080	0	E04	94301-08140	0	E03
93903-35360	0	F02	94050-06080	0	E08	94301-12200	1	E01
93903-45360	0	F22	94050-06080	0	E11	94301-12200	1	E02
93903-GFY6-900	1	F11	94050-06080	0	F20	94301-12200	1	E04
93903-PWB1-900	1	F05	94050-08060	0	F21	94301-12200	1	E05
93903-PWB1-900	1	F12	94050-08080	0	E04	94302-06025	0	E06
			94050-08080	0	F14	94302-KKE5-E00	1	E01
<b>94000</b>			94050-10080	0	E04	94303-04065	0	E04
			94050-LDE9-E00	1	F05	94303-04160	0	E07
94001-10080-0S	0	F15	94050-LDE9-E00	1	F12	94305-03161	0	E06

## PART NO. INDEX

PART NO.	VERSION	PAGE	PART NO.	VERSION	PAGE	PART NO.	VERSION	PAGE
94401-16150	0	E04	95002-02100	0	F22	95701-06040-06	0	F04
94402-LFA5-900	1	E06	95002-40950-08	0	E09	95701-08012-06	0	E02
94510-10000	0	E07	95002-40950-08	0	F17	95701-08012-06	0	E05
94510-12000	0	E08	95002-41250-00	0	F13	95701-08012-06	0	F15
94510-25000	0	E08	95002-45000	0	F22	95701-08012-06	0	F21
94510-35150	0	E06	95002-70000	0	F22	95701-08016-06	0	F15
94510-PWB1-900	0	F06	95002-KED9-M30	1	F13	95701-08016-06	0	F21
94520-12100	0	E05	95002-KKD6-E05	0	E01	95701-08020-06	1	E10
94520-19000	2	E05	95005-PWB1-900	1	E09	95701-08020-06	1	F06
94520-32180	0	E02	95005-PWB1-900	1	F17	95701-08020-06	1	F22
94520-47000	0	E05	95007-LFA5-900	2	F17	95701-08040-06	0	E09
94520-55000	0	F06	95008-PWB1-900	5	E09	95701-08040-06	0	F17
94520-55000	0	F16	95009-LFA5-900	0	F17	95701-08050-06	0	E01
94540-06012	0	F15	95111-PWB1-900	1	E10	95701-08060-06	0	E01
94540-07017	1	E06	95111-PWB1-900	1	F22	95701-08085-06	0	E01
94540-50029	0	E11	95112-PWB1-900	1	F22	95701-08140-06	0	E05
94591-27000	0	F12	95601-PWB1-900	2	E08	95701-10020-06	0	F06
94601-PWB1-900	1	E04	95701-06012-06	1	F04	95701-LEC1-E00	0	F08
94611-PWB1-900	1	E08	95701-06012-06	1	F11	95701-PWB1-900	4	E04
94621-PWB1-900	1	E10	95701-06012-06	1	F20	95801-08025-06	0	F21
			95701-06012-06	1	F22	95801-08030-06	0	F21
			95701-06016-06	1	E03	95801-08042-06	0	F21
			95701-06016-06	1	F20	95801-08050-06	1	F21
			95701-06022-06	1	F15	95801-08055-06	0	F03
			95701-06025-06	2	E04	95801-10030-06	0	F06
			95701-06025-06	2	E08	95801-10040-06	0	F06
<b>95000</b>								
95002-02070	0	F22						
95002-02090	0	E09						
95002-02100	0	F17						

## PART NO. INDEX

PART NO.	VERSION	PAGE	PART NO.	VERSION	PAGE	PART NO.	VERSION	PAGE
95801-10040-06	0	F16	96001-06030-06	0	E03	96120-60080-00	0	E09
95801-10065-06	0	F16	96001-06030-06	0	E05	96120-60080-00	0	F17
95801-10085-06	1	F06	96001-06032-06N	0	E07	96120-PWB1-900	1	E01
95801-10085-06	1	F16	96001-06035-06	0	E02	96130-PWB1-900	1	E10
95801-10095-06	0	F16	96001-06040-06	0	E02	96140-PWB1-900	1	E10
95801-10110-06	0	F21	96001-06040-06	0	E05	96150-PWB1-900	1	E05
95801-10185-06	0	F21	96001-06045-06	0	E01	96151-PWB1-900	2	F06
95801-PWB1-900	1	F06	96001-06045-06	0	E05	96151-PWB1-900	2	F16
95802-PWB1-900	3	F06	96001-06050-06	0	E05	96220-40080	0	E08
95802-PWB1-900	3	F16	96001-06060-06	0	E03	96220-60100	0	E05
			96001-06065-06	0	E05	96600-LDB5-E00	3	E07
<b>96000</b>			96001-06070-06	0	E01			
			96001-06070-06	0	E05	<b>98000</b>		
96001-06008-07	0	F14	96001-06080-06	1	E02			
96001-06010-00	0	E05	96001-06110-06	1	E03	98059-57916-00	2	E03
96001-06016-06	0	E05	96001-08016-08	0	F14	98200-33000	0	F20
96001-06018-06	0	E03	96001-08050-08	0	F13	98200-41000	0	F20
96001-06018-06	0	E05	96100-62040-00	0	E01	98200-41500	0	F20
96001-06020-06	0	E03	96100-62050-00	2	E01			
96001-06020-06	0	E05	96100-62070-00	0	E01			
96001-06020-06	0	F15	96100-63040-00	1	E01			
96001-06022-06	1	F04	96100-63040-00	1	E05			
96001-06025-06	0	E01	96100-63050-00	0	E09			
96001-06025-06	0	E03	96100-63050-00	0	F17			
96001-06025-06	0	E05	96100-68003-00	0	E05			
96001-06028-08N	0	E07	96110-PWB1-900	1	E10			