

PARTS CATALOGUE



ATV

LEA0EF(PL)

MXU 550i (4X4 / IRS)



Release Date : 2018/05/13
Print Date : 2019/03/13

ABOUT THIS PARTS LIST

- This parts list is compiled all service parts for model LEA0EF(PL).
- Any difference between color chart and motorcycle will be revised according to motorcycle.
- The Mark:
 1. Marking "***" must add color code in the end before ordering parts.
 2. Marking "#" are parts with modification, Please find the details from e-Parts system.
- When modification or additions to this parts list are made a revised edition at an appropriate time.



CONTENTS

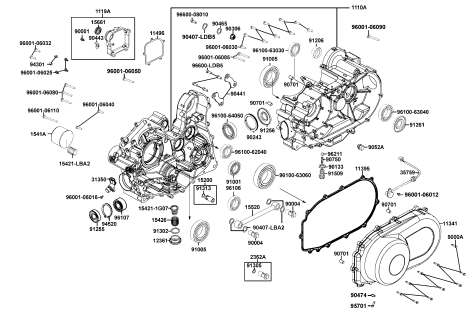
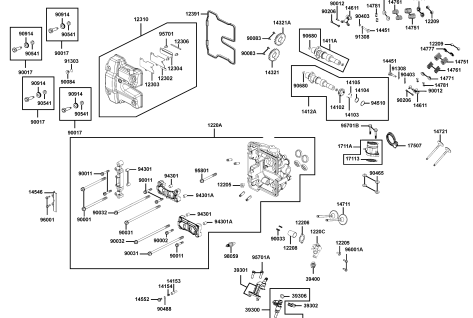
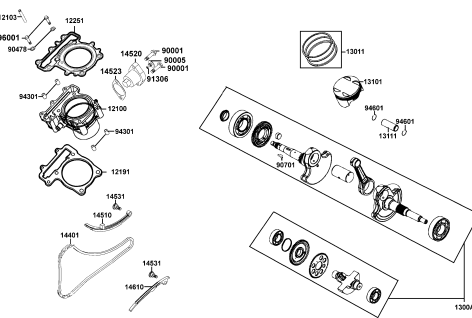
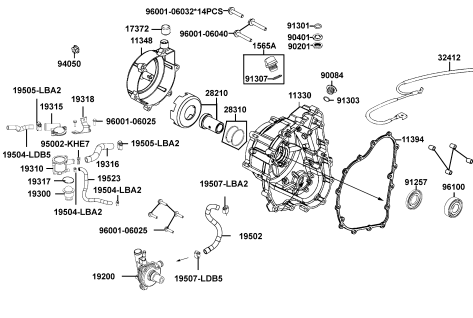
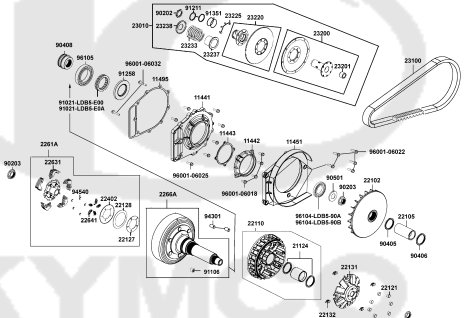
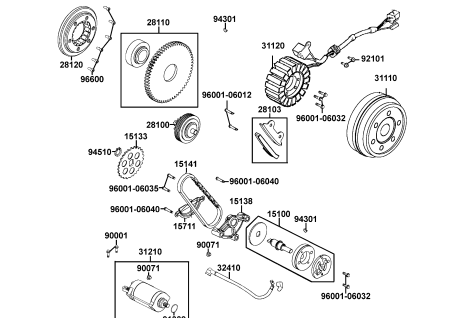
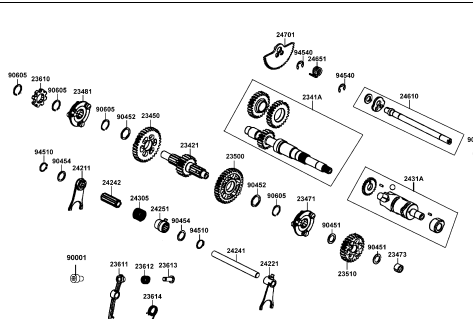
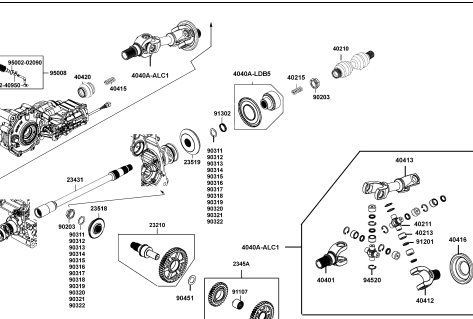
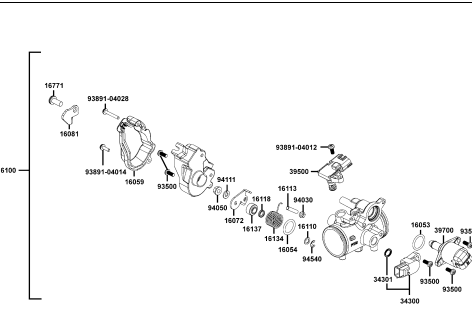
● ABOUT THIS PARTS LIST	1
● COLOR CHART OF LEA0EF(PL)	3
● CONTENTS-ENGINE GROUP	6
● CONTENTS-FRAME GROUP	7
● ENGINE PARTS LIST	11
● FRAME PARTS LIST	57
● PART NO. INDEX	155

NO	MODEL			COLOR CHART OF LEA0EF(PL)			
	PHOTO NO			NO. 1	NO. 2	NO. 3	
	BASIC COLOR			Red	Deep Green	White	
	CODE			Red	Deep Green	White	
	PARTS NAME	PARTS NO.	VERSION	RR338SA	GG345SA	NH195SA	
1	TANK COVER R SIDE	17703-ALC1-E00	1	E4R	GWR	HGR	
2	TANKCOVER L SIDE	17704-ALC1-E00	1				
3	FENDER FRONT	60100-ALC1-E00	1				
4	LID R TOOL BOX	60106-ALC1-E00	0				
5	LID L TOOL BOX	60107-ALC1-E00	0				
6	FENDER REAR	80100-ALC1-E00	5				
7	LEVER SET BRK	53175-LDB5-305	0	M2A			
8	LEVER L STRG HNDL	53178-KEBE-900	0	MAS			
9	RIM COMP RR WHEEL	42705-LFE9-E00	2				
10	RIM COMP FR WHEEL	44705-LFE9-E00	1				
11	CUSHION ASSY FR	51400-ALC1-E00	1				
12	CUSH ASSY RR	52400-ALC1-E00	0				
13	A-ARM ASSY FRONT	53400-ALC1-E01	3				
14	A-ARM ASSY FRONT	53450-ALC1-E01	5				
15	A-ARM ASSY FRONT	53500-ALC1-E01	3				
16	A-ARM ASSY FRONT	53550-ALC1-E01	5				
17	CONTROL ARM ASSY	54400-AEC8-E00	0				
18	CONTROL ARM ASSY	54450-ALC1-E01	3	MFS			
19	CONTROL ARM ASSY	54500-AEC8-E00	0				
20	CONTROL ARM ASSY	54550-ALC1-E01	3				
21	CARRIER RR RACK	77330-AEC8-E00	1				
22	LID HANDLE COVER	53207-ALC1-600	0	N1P			
23	PANEL TRIM FR	60101-ALC1-600	0				
24	PANEL R TRIM	60150-ALC1-600	0				
25	PANEL L TRIM	60160-ALC1-600	0				
DATE OF STARTING-SALES							
DATE OF END-SALES							

NO	MODEL			COLOR CHART OF LEA0EF(PL)							
	PHOTO NO			NO. 1	NO. 2	NO. 3					
	BASIC COLOR			Red	Deep Green	White					
	CODE			Red	Deep Green	White					
	PARTS NAME	PARTS NO.	VERSION	RR338SA	GG345SA	NH195SA					
26	COVER WIRE STAY	16059-LDB5-E00	4	N1R							
27	GUARD FUEL TANK	17550-ALC1-E00	4								
28	COVER.TANK	17700-ALC1-E00	5								
29	DUCT COOLING AIR	19102-ALC1-E00	2								
30	GUIDE COVER CHANGE	60120-ALC1-E00	0								
31	PROTECTOR R	60130-LFE9-E01	0								
32	PROTECTOR L	60140-LFE9-E01	0								
33	MUDGUARD FRONT	60200-ALC1-E00	0								
34	MUDGUARD R FR SIDE	61200-ALC1-E00	0								
35	MUDGUARD L FR SIDE	61300-ALC1-E00	0								
36	PLATE SKID	64300-LFE9-E01	1								
37	COVER FRONT	64301-ALC1-E00	0								
38	GUARD R BOOT	64330-LFE9-E01	1								
39	GUARD L BOOT	64340-LFE9-E01	1								
40	PLATE FR CARRIER	77345-ALC1-E00	0								
41	MUDGUARD R FLOOR	80121-ALC1-E00	0								
42	MUDGUARD L FLOOR	80122-ALC1-E00	0								
43	MUDGUARD REAR	80200-ALC1-E00	5								
44	MUDGUARD R RR SIDE	80210-ALC1-E00	1								
45	MUDGUARD L RR SIDE	80220-ALC1-E00	1								
46	COVER R SIDE	83500-ALC1-M00	1								
47	COVER L SIDE	83600-ALC1-M00	1								
48	COVER LEFT	11341-LDB5-E00	5					NEA			
49	COVER STARTING	11348-LDB5-E00	2					NJA			
50	CALIPER ASSY REAR	43100-LFA5-E00	3								
DATE OF STARTING-SALES											
DATE OF END-SALES											

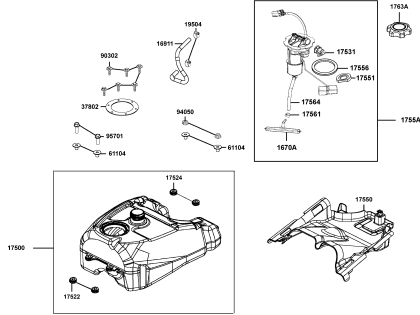
NO	MODEL			COLOR CHART OF LEA0EF(PL)			
	PHOTO NO			NO. 1	NO. 2	NO. 3	
	BASIC COLOR			Red	Deep Green	White	
	CODE			Red	Deep Green	White	
	PARTS NAME	PARTS NO.	VERSION	RR338SA	GG345SA	NH195SA	
51	CALIPER ASSY REAR LH	43200-LFA5-E00	0	NJA			
52	COVER HANDLE	53205-ALC1-EV0	1	NRR			
53	CALIPER ASSY FR BRK-	45100-LFE9-E00	4	R8A			
54	CALIPER ASSY FR BRK-	45200-LFE9-E00	4				
55	SEAT ASSY	77200-ALC1-E00	4	T01			
56	EMB K-LOGO '50mm	86102-ALC1-E00	1				
57	SW LABEL	86182-ALC1-EVV	0				
58	STRIPE TANK COVER	86202-AEF2-E60	1				
59	EMB GEAR REVEAL	86302-ALC1-E00	0				
60	CAUTION SHIFIT GEARS	87322-LBA7-E00	3				
61	LABEL TIRE ON ROAD	87505-LFE9-E01	1				
62	CAUTION MAXIMUM	87514-LFE9-E02	2				
63	DRIVE WARNING LIST-	87515-LDB5-E01	2				
64	CAUTION DRIVE AGE 16	87517-LDB5-E00	2				
65	SPEED LIMIT LABEL	87519-AEF2-E00	0				
66	WARNING DECAL DIFF	87529-LFE9-M30	1				
67	WARNING CARRIER	87556-LDB5-E00	1				
68	WARNING CARRIER	87556-LDB5-E01	2				
69	STRIPE K-LOGO 60MM	87532-LCA5-900	1	T03			
DATE OF STARTING-SALES							
DATE OF END-SALES							

CONTENTS - ENGINE GROUP

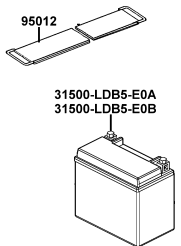
<p>E01 Crank Case</p> 	<p>E02 Cylinder Head Cover Cylinder</p> 	<p>E03 Cylinder Piston Crankshaft</p> 
<p>E04 Right Crankcase Cover Water</p> 	<p>E05 Drive Pulley</p> 	<p>E06 Starting Motor Generator</p> 
<p>E07 Clutch Assy Primary</p> 	<p>E08 Shaft Reduction</p> 	<p>E09 THROTTLE BODY, ASSY.</p> 

CONTENTS - FRAME GROUP

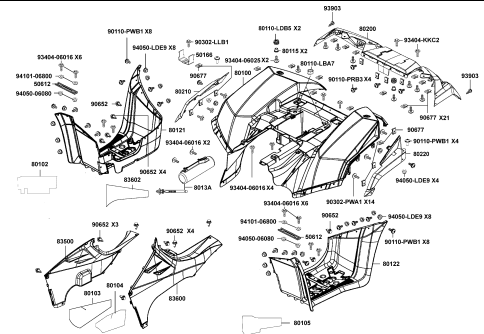
F10 Fuel Tank



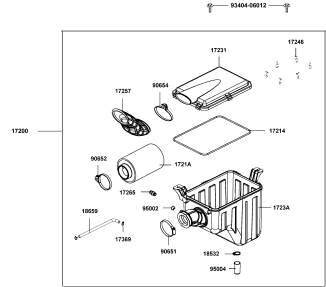
F11 Battery



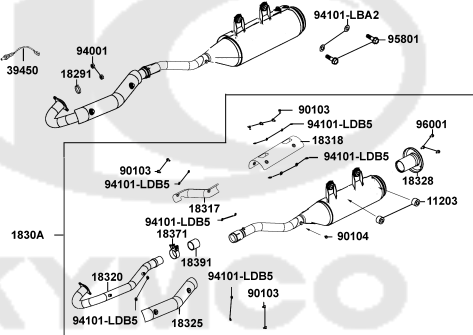
F12 Fender Rear



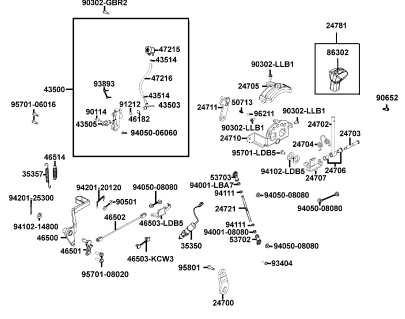
F13 Air Cleaner



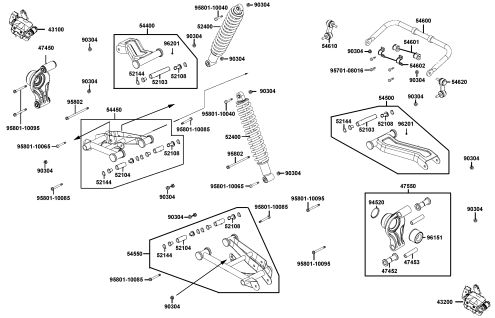
F14 Exhaust Muffler



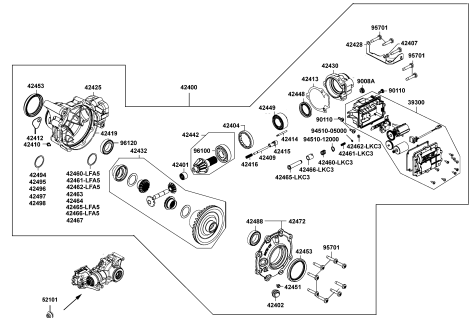
F15 Master Cylinder Rear



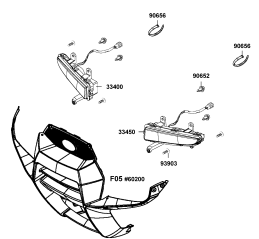
F16 Cushion Assy RrControl Arm



F17 E-lock Gear Case

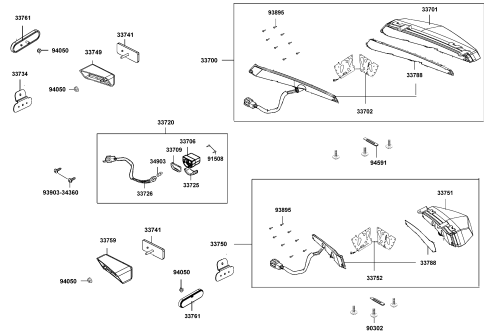


F18 Winker

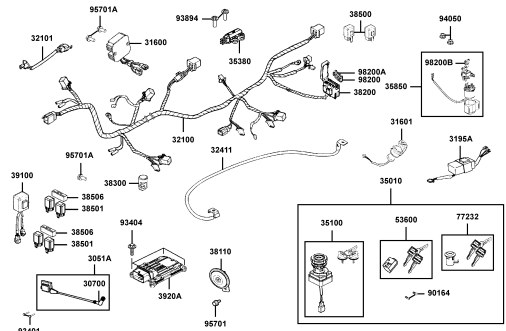


CONTENTS - FRAME GROUP

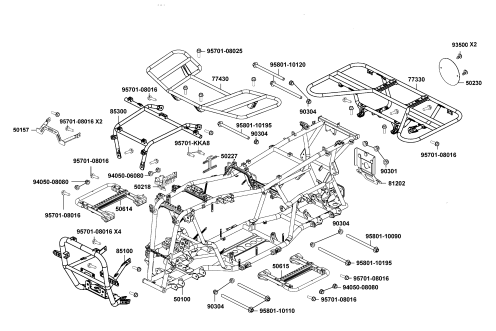
F19 Light Tail



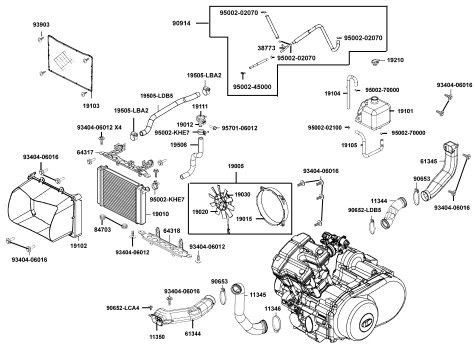
F20 Harness Wire



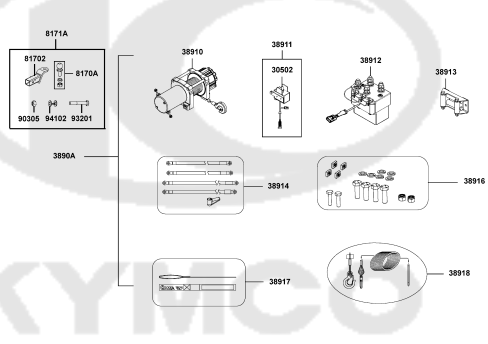
F21 Frame Body



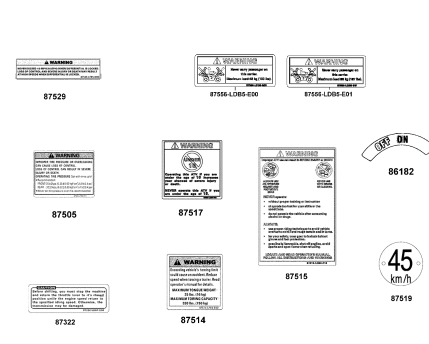
F22 Radiator



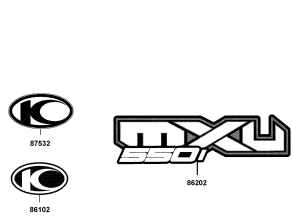
F23 Winch Comp



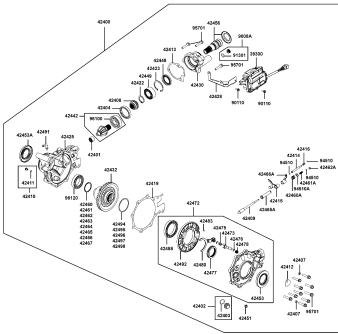
F24 Caution Label



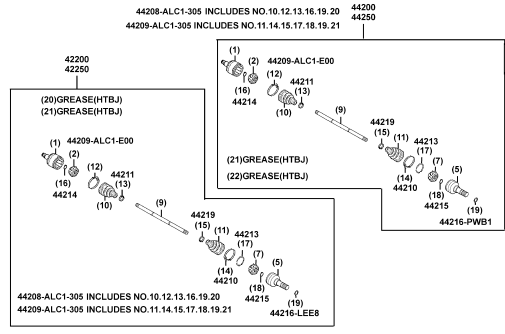
F25 EmblemStripe



F26 Separated Parts Of Fr Final

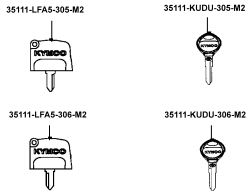


F27 Separated Parts Of CVJ

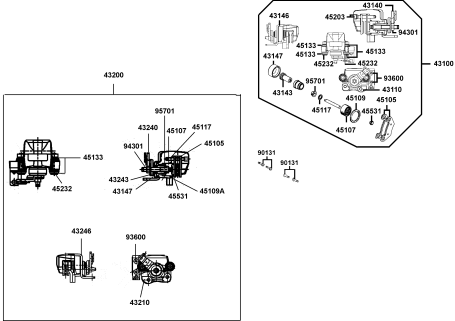


CONTENTS - FRAME GROUP

F28 Key Comp

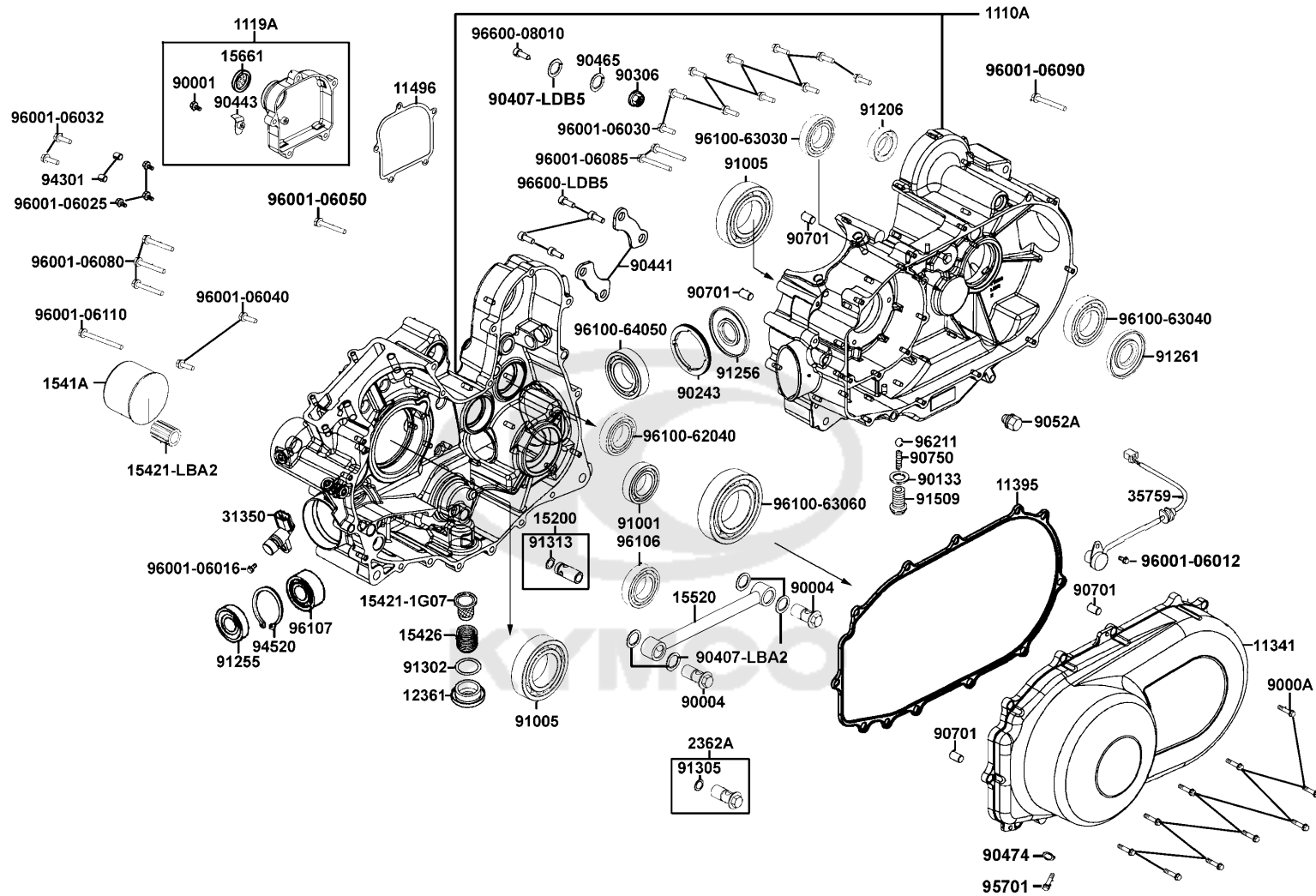


F29 Caliper Assy Rear



E01

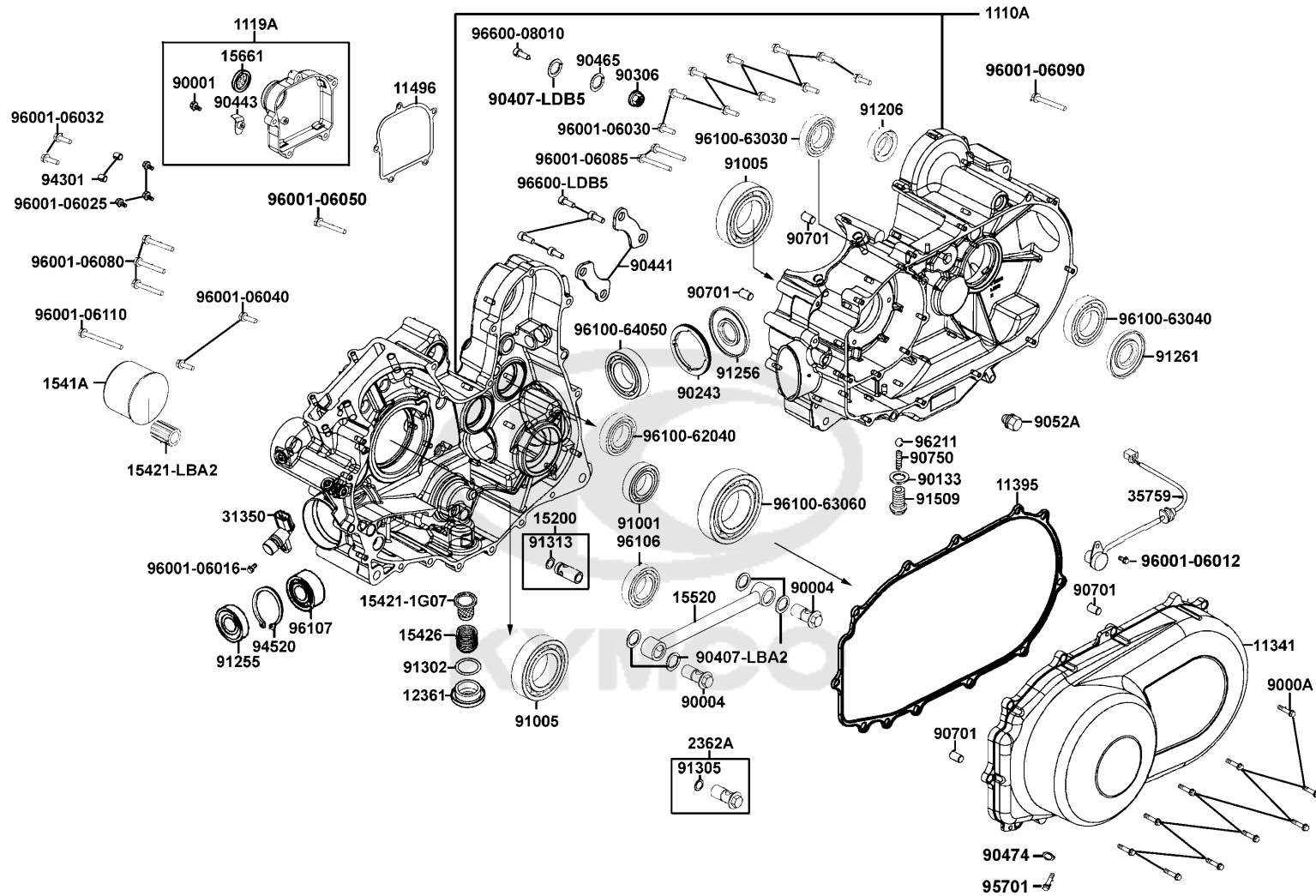
Crank Case



Sales mark	Ref no	Part no	Description	Reg description	Regd no	E01
	1110A	1110A-LDB5-E00	CASE ASSY R/L CRANK	CASE ASSY R/L CRANK	1	
	1119A	1119A-LDB5-E00	CAP ASSY R CASE	CAP ASSY R CASE	1	
**	11341	11341-LDB5-E00	COVER LEFT	COVER LEFT	1	
	11395	11395-LDB5-E00	GASKET L COVER	GASKET L COVER	1	
	11496	11496-LDB5-E00	GASKET R CASE CAP	GASKET R CASE CAP	1	
	12361	12361-GFY6-901	HOLE CAP TAPPET ADJUSTING	HOLE CAP TAPPET ADJUSTING	1	
	15200	15200-KED9-900	OIL RELIEF VALVE ASSY	OIL RELIEF VALVE ASSY	1	
	1541A	1541A-LBA2-E00	ELEMENT COMP OIL FILTER	ELEMENT COMP OIL FILTER	1	
	15421-1G07	15421-1G07-001	SCREEN OIL FILTER	SCREEN OIL FILTER	1	
	15421-LBA2	15421-LBA2-E00	BOLT OIL FILTER	BOLT OIL FILTER	1	
	15426	15426-GAE1-921	SPG OIL FILTER SCREEN	SPG OIL FILTER SCREEN	1	
	15520	15520-LDB5-E00	PIPE COMP OIL	PIPE COMP OIL	1	
	15661	15661-LBA7-900	FINDER OIL LEVEL	FINDER OIL LEVEL	1	
	2362A	2362A-LDB5-E00	BOLT ASSY PARK	BOLT ASSY PARK	1	
	31350	31350-LDB5-E0A	SENSOR SPEED	SENSOR SPEED	1	
	35759	35759-LDB5-E00	SW ASSY GEAR CHANGE	SW ASSY GEAR CHANGE	1	
	90001	90001-GFY6-901	SOCKET BOLT 6*10 (B)	SOCKET BOLT 6*10 (B)	1	
	90004	90004-LBA2-E00	BOLT B OIL PASS	BOLT B OIL PASS	2	
	9000A	9000A-KTDT-900	BOLT ASSY SPECIAL 6*29.5	BOLT ASSY SPECIAL 6*29.5	10	
	90133	90133-LDB5-E00	WASHER BOLT SEAT	WASHER BOLT SEAT	1	

E01

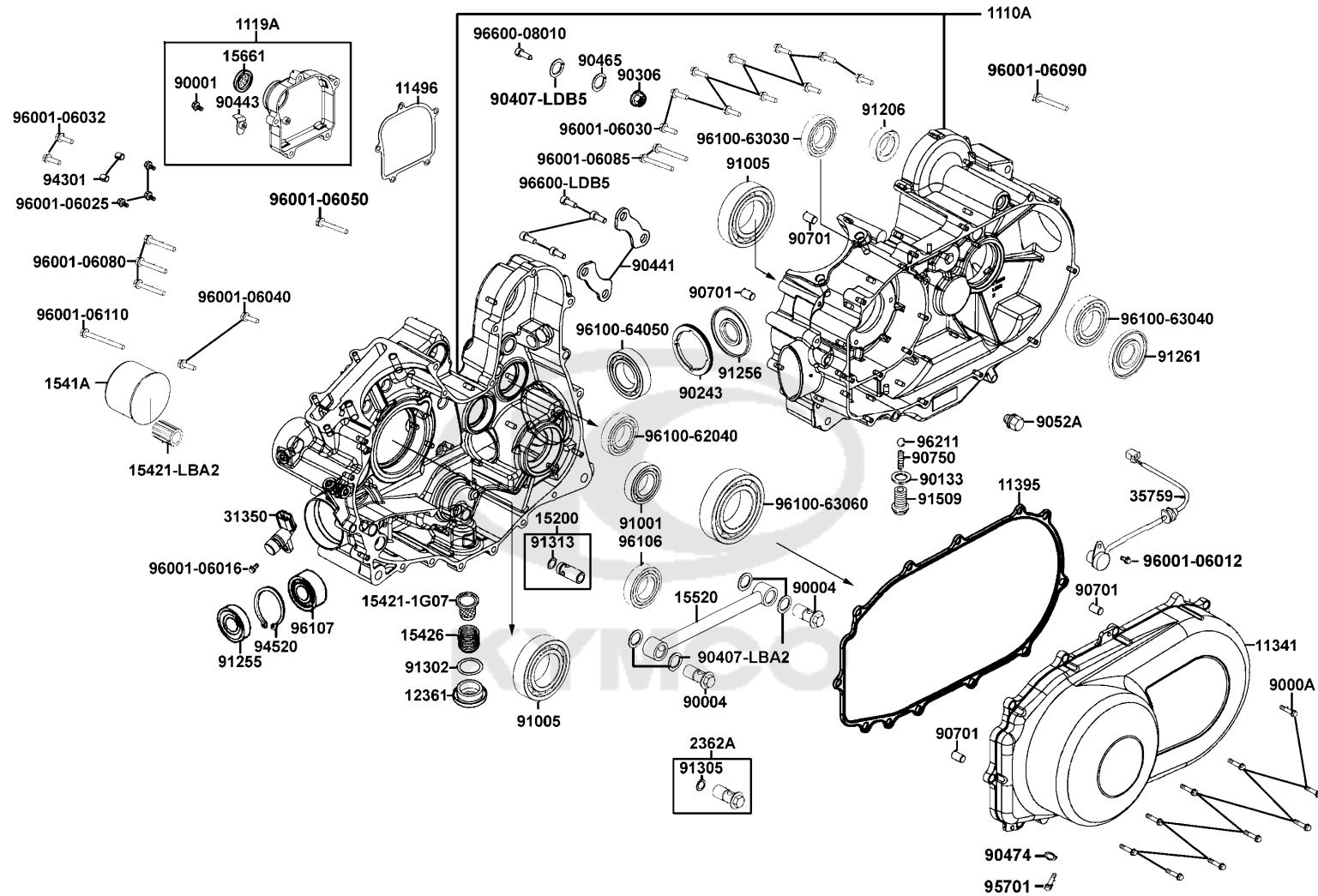
Crank Case



Sales mark	Ref no	Part no	Description	Reg description	Regd no	E01
90243		90243-LDB5-E00	NUT LOCK 85MM	NUT LOCK 85MM	1	
90306		90306-KLF0-004-SY	NUT FLANGE 12MM	NUT FLANGE 12MM	1	
90407-LBA2		90407-LBA2-E00	SEALING WASHER OIL PIPE	SEALING WASHER OIL PIPE	4	
90407-LDB5		90407-LDB5-E00	WASHER THRUST 12*30*1	WASHER THRUST 12*30*1	1	
90441		90441-LDB5-E00	PLATE BRG HOLD	PLATE BRG HOLD	2	
90443		90443-LDB5-E00	PLATE FINDER HOLD	PLATE FINDER HOLD	1	
90465		90465-MDC4-001	WASHER 8MM	WASHER 8MM	1	
90474		90474-3C33-001	WASHER 8MM	WASHER 8MM	1	
9052A		9052A-LDB5-E00	BOLT ASSY DRAIN PLUG	BOLT ASSY DRAIN PLUG	1	
90701		90701-9E65-001	PIN DOWEL 10*16	PIN DOWEL 10*16	4	
90750		90750-LDB5-E00	SPG STOPPER	SPG STOPPER	1	
91001		91001-KHV8-004	BRG BALL RADIAL 6305	BRG BALL RADIAL 6305	1	
91005		91005-LDB5-E00	BEARING BALL RADIAL 6205	BEARING BALL RADIAL 6205	2	
91206		91206-LDB5-E00	OIL SEAL 14*24*7	OIL SEAL 14*24*7	1	
91255		91255-LDB5-E00	OIL SEAL 35*67*7	OIL SEAL 35*67*7	1	
91256		91256-LDB5-E00	OIL SEAL 35*90*7	OIL SEAL 35*90*7	1	
91261		91261-LDB5-E00	OIL SEAL 30X72X7	OIL SEAL 30X72X7	1	
91302		91302-0A01-021	O-RING 30.8M/M	O-RING 30.8M/M	1	
91305		91305-GLE0-001	O-RING 9*1.7	O-RING 9*1.7	1	
91313		91313-KED9-900	O-RING 15.5*1.5	O-RING 15.5*1.5	1	

E01

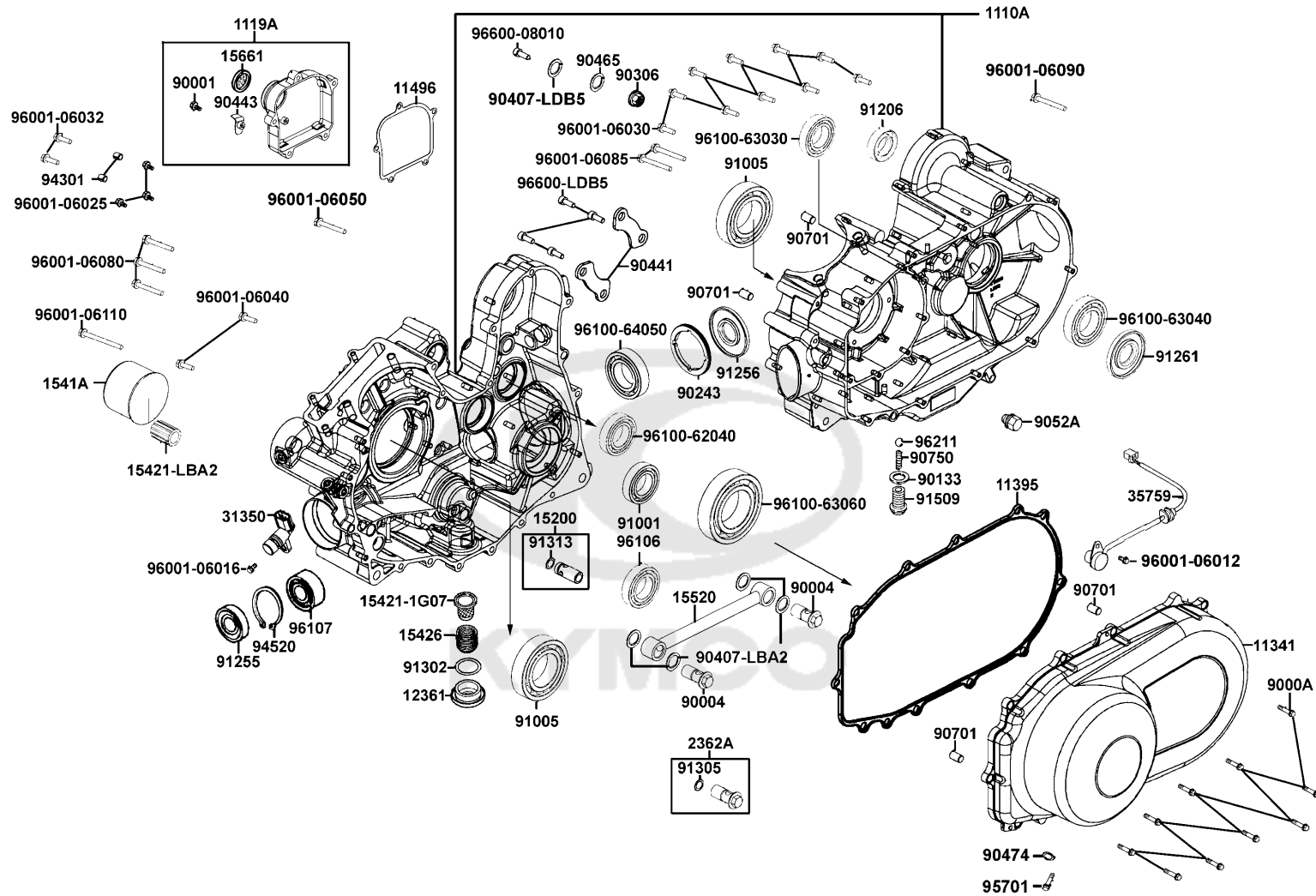
Crank Case



Sales mark	Ref no	Part no	Description	Reg description	Regd no	E01
91509		91509-LDB5-E00	BOLT STOPPER	BOLT STOPPER	1	
94301		94301-08140	DOWEL PIN 8*14	DOWEL PIN 8*14	2	
94520		94520-65000	CIR CLIP IN 65	CIR CLIP IN 65	1	
95701		95701-08012-06	BOLT FLANGE 8*12	BOLT FLANGE 8*12	1	
96001-06012		96001-06012-06	BOLT FLANGE SH 6*12	BOLT FLANGE SH 6*12	1	
96001-06016		96001-06016-06	BOLT FLANGE SH 6X16	BOLT FLANGE SH 6X16	1	
96001-06025		96001-06025-06	BOLT FLANGE SH 6*25	BOLT FLANGE SH 6*25	1	
96001-06030		96001-06030-06	BOLT FLANGE SH 6X30	BOLT FLANGE SH 6X30	1	
96001-06032		96001-06032-06	BOLT FLANGE 6*32	BOLT FLANGE 6*32	1	
96001-06040		96001-06040-06	BOLT FLANGE SH 6*40	BOLT FLANGE SH 6*40	1	
96001-06050		96001-06050-06	BOLT FLANGE SH 6*50	BOLT FLANGE SH 6*50	1	
96001-06080		96001-06080-06	BOLT FLANGE SH 6X80	BOLT FLANGE SH 6X80	1	
96001-06085		96001-06085-06	BOLT FLANGE 6*85	BOLT FLANGE 6*85	1	
96001-06090		96001-06090-06	BOLT FLANGE SH 6*90	BOLT FLANGE SH 6*90	1	
96001-06110		96001-06110-06	BOLT FLANGE SH 6*110	BOLT FLANGE SH 6*110	1	
96100-62040		96100-62040-00	BEARING BALL RADIAL 6204	BEARING BALL RADIAL 6204	1	
96100-63030		96100-63030-00	BEARING BALL RADIAL 6303	BEARING BALL RADIAL 6303	1	
96100-63040		96100-63040-00	BRG BALL RADIAL 6304	BRG BALL RADIAL 6304	1	
96100-63060		96100-63060-00	BRG BALL RADIAL 6306	BRG BALL RADIAL 6306	1	
96100-64050		96100-64050-00	BRG BALL RADIAL 6405	BRG BALL RADIAL 6405	1	

E01

Crank Case

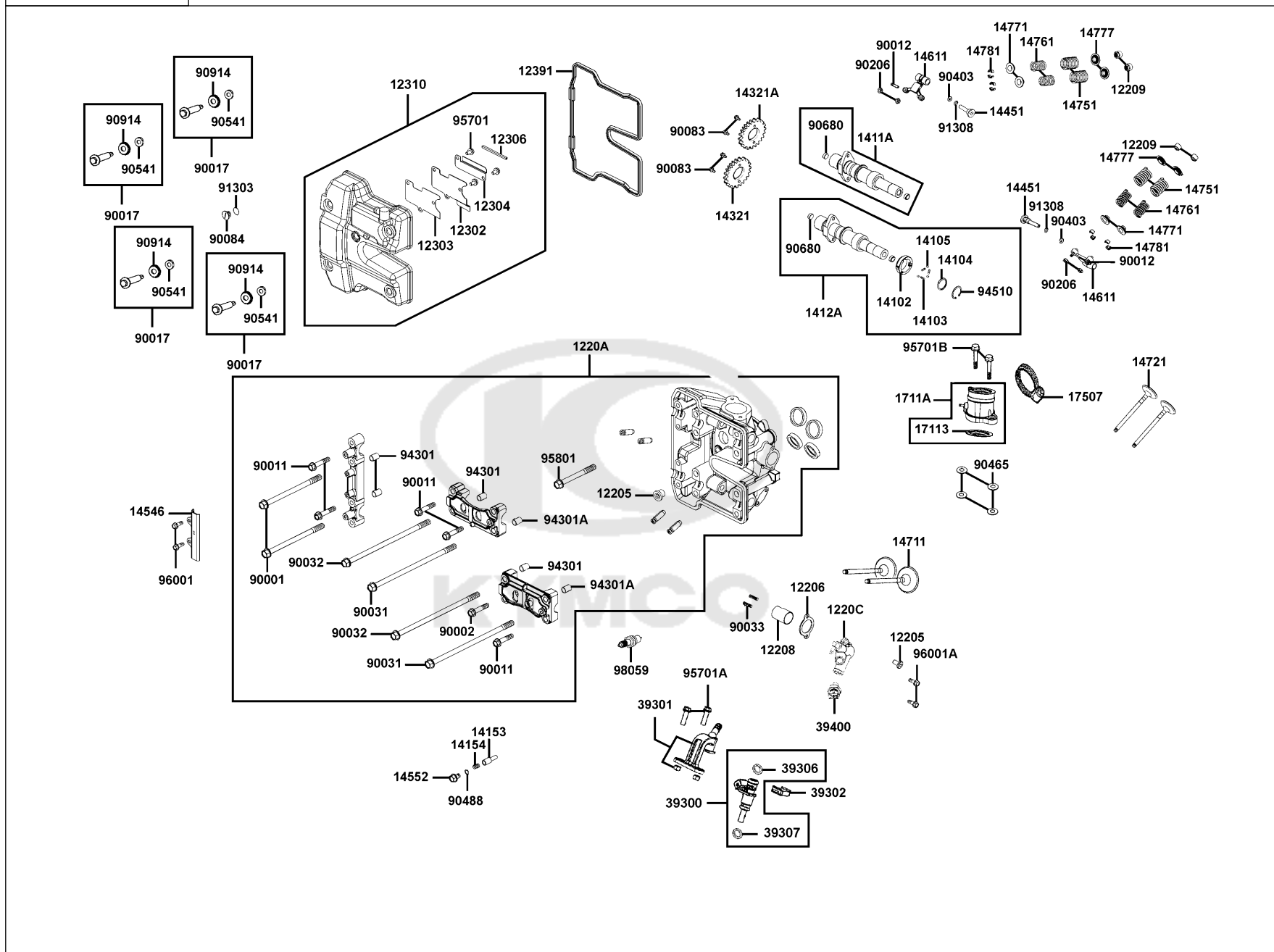


Sales mark	Ref no	Part no	Description	Reg description	Regd no	E01
------------	--------	---------	-------------	-----------------	---------	------------

96106	96106-LDB5-E00	96106-LDB5-E00	BEARING BALL RADIAL	BEARING BALL RADIAL	1	
96107	96107-LDB5-E00	96107-LDB5-E00	BEARING BALL RADIAL	BEARING BALL RADIAL	1	
96211	96211-16000	96211-16000	BALL STEEL #16	BALL STEEL #16	1	
96600-08010	96600-08010-16	96600-08010-16	SOCKET BOLT 8X10	SOCKET BOLT 8X10	1	
96600-LDB5	96600-08020-16	96600-08020-16	SOCKET BOLT 8X20	SOCKET BOLT 8X20	4	
96600-LDB5	96600-LDB5-E00	96600-LDB5-E00	SOCKET BOLT 8X20	SOCKET BOLT 8X20	4	



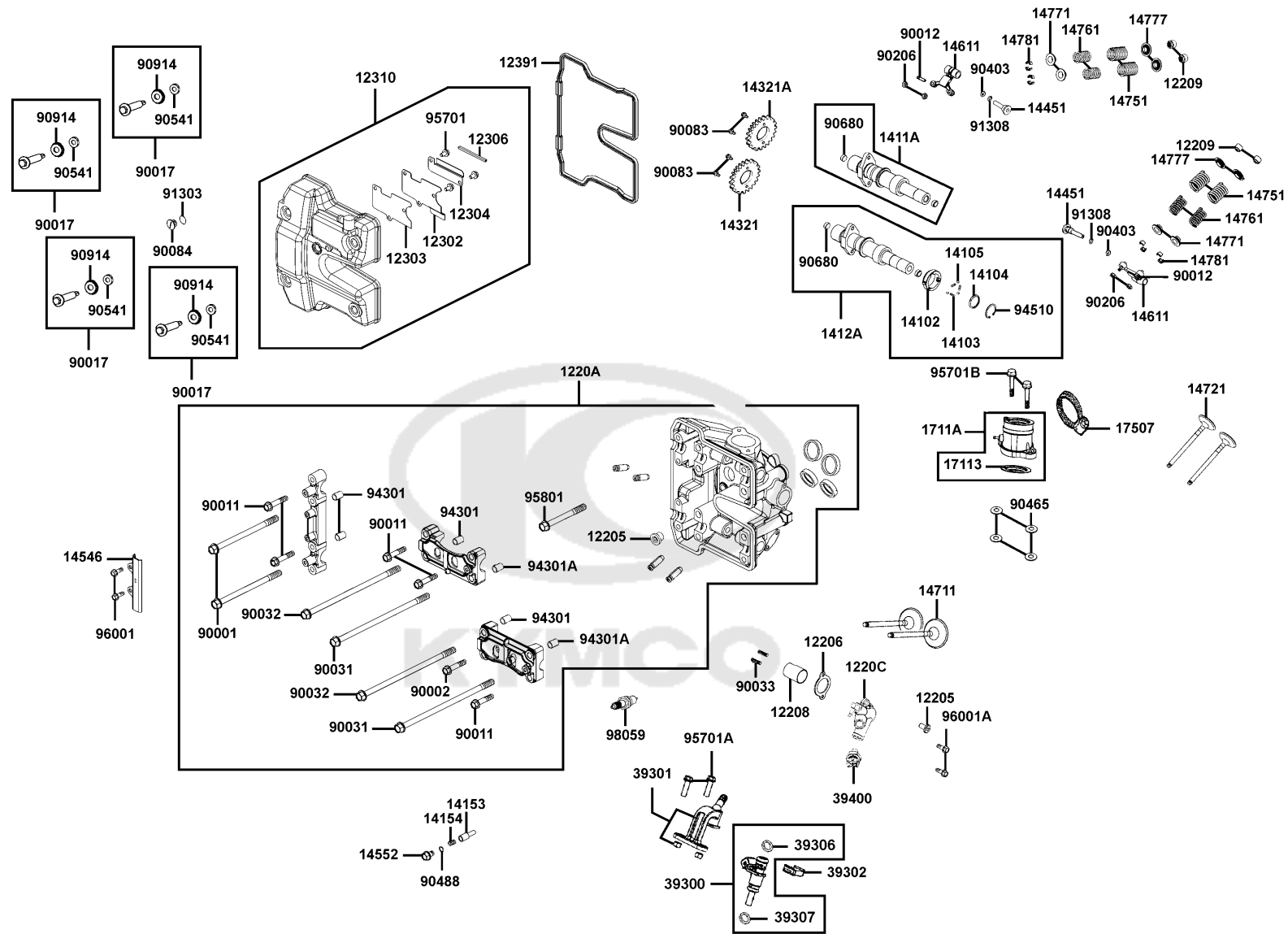
Cylinder Head Cover Cylinder Head



Sales mark	Ref no	Part no	Description	Reg description	Regd no	E02
	12205	12205-KHE8-301	BOLT SEALING 12MM	BOLT SEALING 12MM	3	
	12206	12206-LBA2-E00	GASKET WATER COVER	GASKET WATER COVER	1	
	12208	12208-LBA2-E00	STOPPER HEAD WATER	STOPPER HEAD WATER	1	
	12209	12209-GDB4-68B	SEAL VALVE STEM **GB4-68B	SEAL VALVE STEM	1	
	1220A	1220A-LKC3-E00	HEAD ASSY CYLINDER	HEAD ASSY CYLINDER	1	
	1220C	1220C-LGC7-305	COVER COMP WATER-A	COVER COMP WATER-A	1	
	12302	12302-LBA2-E00	PLATE BREATHER SEPARATER	PLATE BREATHER SEPARATER	1	
	12303	12303-LBA2-E00	GASKET PLATE	GASKET PLATE	1	
	12304	12304-LBA2-E00	PLATE BREATHER SEPARATOR @A	PLATE BREATHER SEPARATOR @A	1	
	12306	12306-LBA2-E00	RUBBER SEPARATOR	RUBBER SEPARATOR	1	
	12310	12310-LDB5-E00	COVER COMP HEAD	COVER COMP HEAD	1	
	12391	12391-LBA2-E00	SEAL HEAD COVER	SEAL HEAD COVER	1	
	14102	14102-LDG7-E00	CAM	CAM	1	
	14103	14103-GEN5-912	SPG ROLLER	SPG ROLLER	3	
	14104	14104-LBA2-E00	WASHER THRUST	WASHER THRUST	1	
	14105	14105-GEN5-910	ROLLER 3*5	ROLLER 3*5	3	
	1411A	1411A-LBA2-E00	CAMSHAFT INLET COMP	CAMSHAFT INLET COMP	1	
	1412A	1412A-LDG7-E00	CAMSHAFT EXH COMP	CAMSHAFT EXH COMP	1	
	14153	14153-LBA2-E00	STOPPER	STOPPER	1	
	14154	14154-LBA2-E00	SPRING STOPPER	SPRING STOPPER	1	

E02

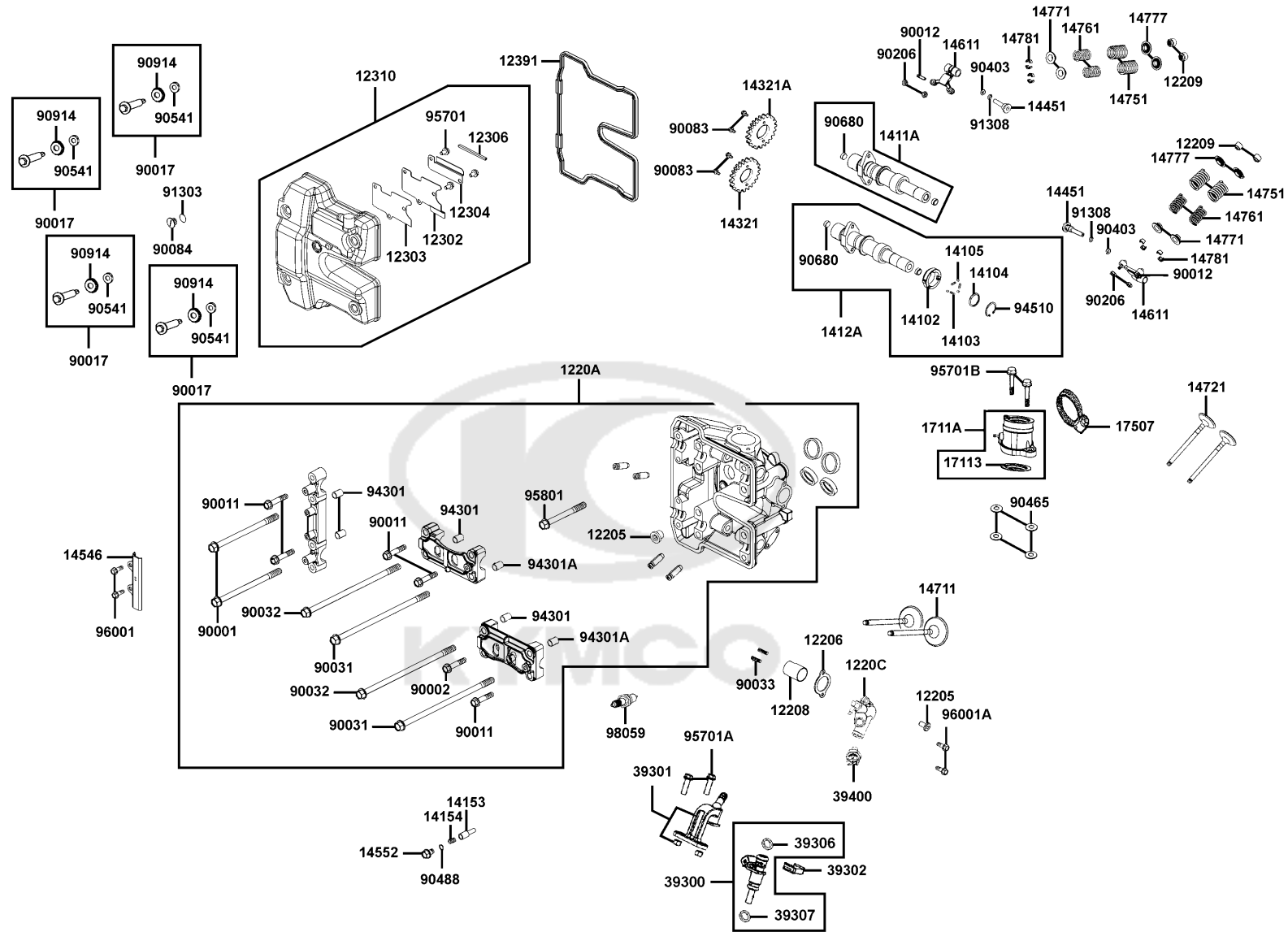
Cylinder Head Cover Cylinder Head



Sales mark	Ref no	Part no	Description	Reg description	Regd no	E02
14321		14321-KED9-900	SPROCKET CAMSHAFT	SPROCKET CAMSHAFT	1	
14321A		14321-LBA2-E00	SPROCKET CAMSHAFT	SPROCKET CAMSHAFT	1	
14451		14451-LBA2-E00	SHAFT ROCKER ARM	SHAFT ROCKER ARM	2	
14546		14546-LBA2-E00	GUIDE UPPER TENSIONER	GUIDE UPPER TENSIONER	1	
14552		14552-KGBG-900	PLUG ADJUSTER	PLUG ADJUSTER	1	
14611		14611-LBA2-E00	ARM VALVE ROCKER	ARM VALVE ROCKER	2	
14711		14711-LDG7-900	VALVE INLET	VALVE INLET	2	
14721		14721-LBA2-E00	VALVE EXHAUST	VALVE EXHAUST	2	
14751		14751-LBA2-E00	SPG VALVE OUTER	SPG VALVE OUTER	4	
14761		14761-LDG7-900	SPG VALVE INNER	SPG VALVE INNER	4	
14771		14771-KED9-900	RETAINER VALVE SPRING	RETAINER VALVE SPRING	4	
14777		14777-LBA2-E00	SEAT VALVE SPG	SEAT VALVE SPG	4	
14781		14781-MFA6-001	COTTER VALVE	COTTER VALVE	8	
17113		17113-LBA2-E00	O-RING INLET PIPE	O-RING INLET PIPE	1	
1711A		1711A-LKC3-E00	PIPE ASSY INLET	PIPE ASSY INLET	1	
17507		17507-PWB1-900	CLAMP D66	CLAMP D66	1	
39300		39300-PTA1-800	INJECTOR FUEL	INJECTOR FUEL	1	
39301		39301-LGC7-E00	ASSY FUEL RAIL	ASSY FUEL RAIL	1	
39302		39302-KKE3-900	CLIP SPRING FUEL INJECTOR	CLIP SPRING FUEL INJECTOR	1	
39306		39306-LEB2-305	O-RING A INJECTOR /BLACK	O-RING A INJECTOR /BLACK	1	

E02

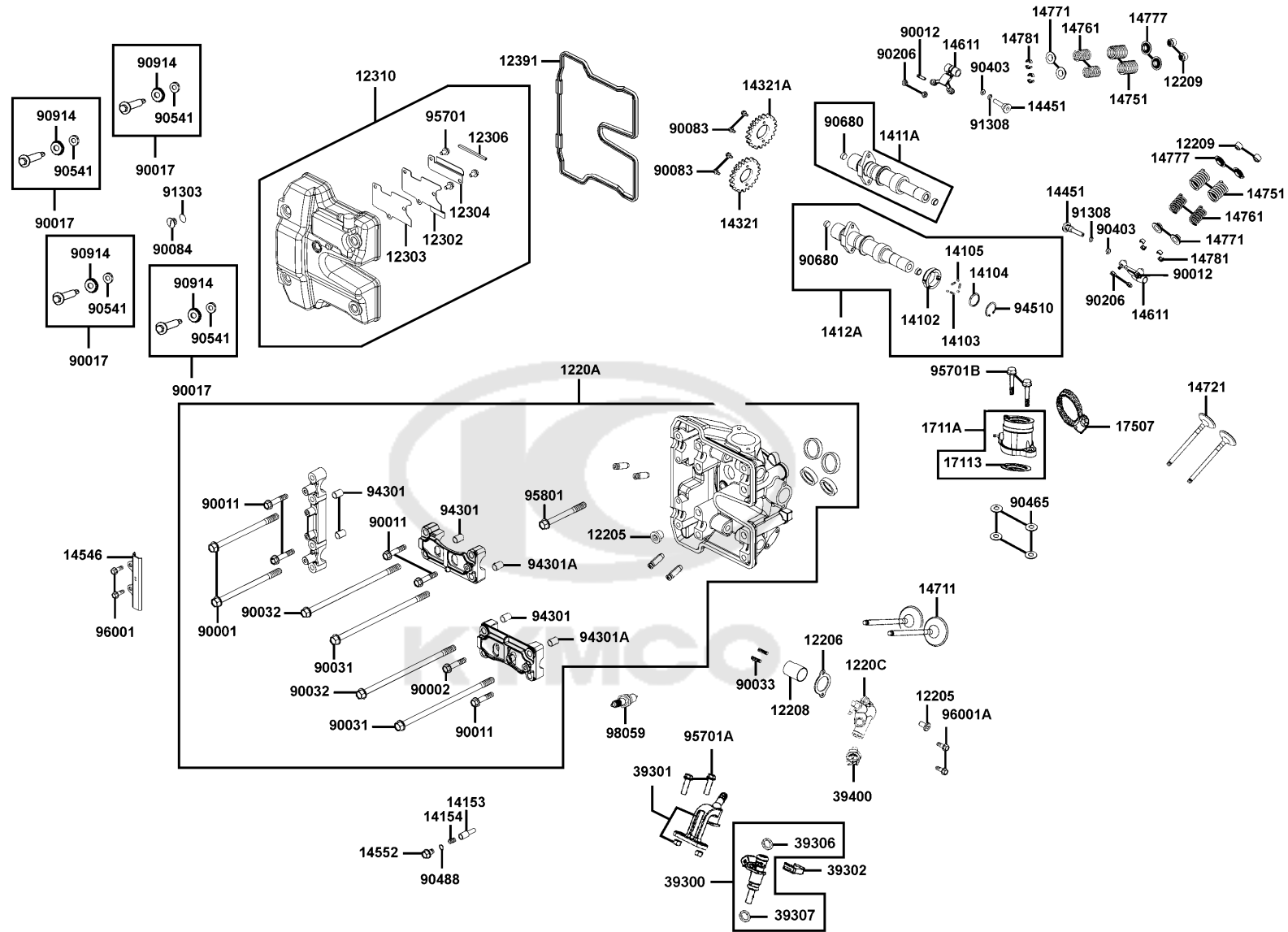
Cylinder Head Cover Cylinder Head



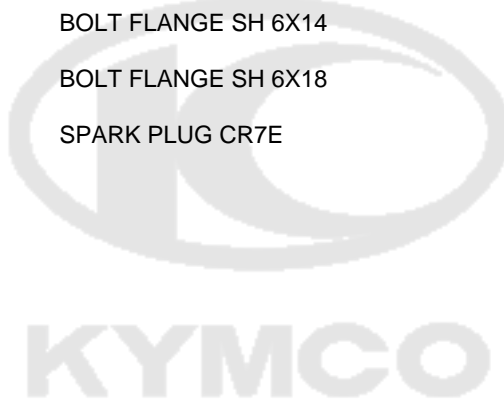
Sales mark	Ref no	Part no	Description	Reg description	Regd no	E02
	39307	39307-LEB2-305	O-RING B INJECTOR /GREEN	O-RING B INJECTOR /GREEN	1	
	39400	39400-LEA6-800	WATER TEMP SENSOR	WATER TEMP SENSOR	1	
	90001	90001-LBA2-E00	BOLT UBS 8X137	BOLT UBS 8X137	2	
	90002	90002-LBA2-E00	BOLT UBS M8X201(C)	BOLT UBS M8X201(C)	1	
	90011	90011-KED9-900	BOLT UBS 8X48(C)	BOLT UBS 8X48(C)	5	
	90012	90012-3C33-001	SCREW TAPPET ADJUSTING	SCREW TAPPET ADJUSTING	4	
	90017	90017-KED9-900	BOLT ASSY HEAD COVER	BOLT ASSY HEAD COVER	4	
	90031	90031-LBA2-E00	BOLT UBS 10*220	BOLT UBS 10*220	2	
	90032	90032-LBA2-E00	BOLT UBS 10*210	BOLT UBS 10*210	2	
	90033	90033-GFY6-900	BOLT STUD 8*32	BOLT STUD 8*32	2	
	90083	90083-KED9-900	BOLT KNOCK 6X12 (C) +NYLON	BOLT KNOCK 6X12 (C) +NYLON	4	
	90206	90206-0A01-001	NUT TAPPET ADJG	NUT TAPPET ADJG	4	
	90403	90403-KED9-900	WASHER WAVE 10MM	WASHER WAVE 10MM	2	
	90465	90465-LBA2-E00	WASHER 10.2 MM	WASHER 10.2 MM	4	
	90488	90488-7L00-001	WASHER 8MM	WASHER 8MM	1	
	90541	90541-KED9-900	RUBBER MOUNTING	RUBBER MOUNTING	4	
	90680	90680-LBA2-E00	CONE TYPE PLUG 12*7	CONE TYPE PLUG 12*7	2	
	90914	90914-KED9-900	WASHER HEAD COVER BOLT	WASHER HEAD COVER BOLT	4	
	91303	91303-3G77-001	O-RING 13.8*2.5	O-RING 13.8*2.5	1	
	91308	91308-KED9-900	O-RING 17.5*1.5	O-RING 17.5*1.5	2	

E02

Cylinder Head Cover Cylinder Head

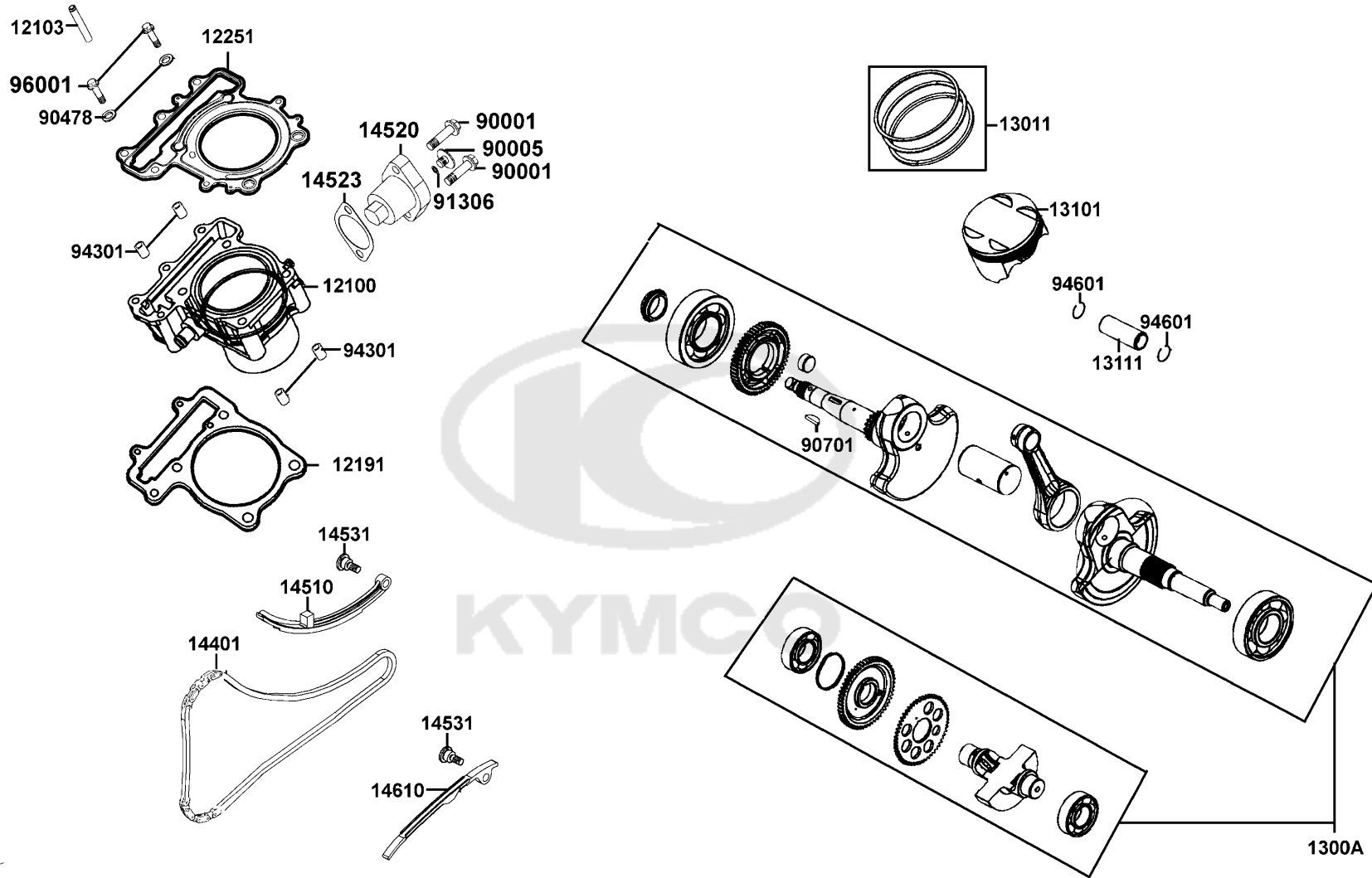


Sales mark	Ref no	Part no	Description	Reg description	Regd no	E02
94301		94301-10160	DOWEL PIN 10*16	DOWEL PIN 10*16	4	
94301A		94301-12200	DOWEL PIN 12*20	DOWEL PIN 12*20	2	
94510		94510-20000	CIR CLIP EX 20	CIR CLIP EX 20	1	
95701		95701-06010-06	BOLT FLANGE 6*10	BOLT FLANGE 6*10	1	
95701A		95701-06016-06	BOLT FLANGE 6*16 (K)	BOLT FLANGE 6X16	1	
95701B		95701-06022-06	BOLT FLANGE 6*22	BOLT FLANGE 6*22	1	
95801		95801-KED9-900	BOLT UBS 8x71 (C)	BOLT UBS 8x71 (C)	1	
96001		96001-06014-06	BOLT FLANGE SH 6X14	BOLT FLANGE SH 6X14	2	
96001A		96001-06018-06	BOLT FLANGE SH 6X18	BOLT FLANGE SH 6X18	1	
98059		98059-57916-00	SPARK PLUG CR7E	SPARK PLUG CR7E	1	



E03

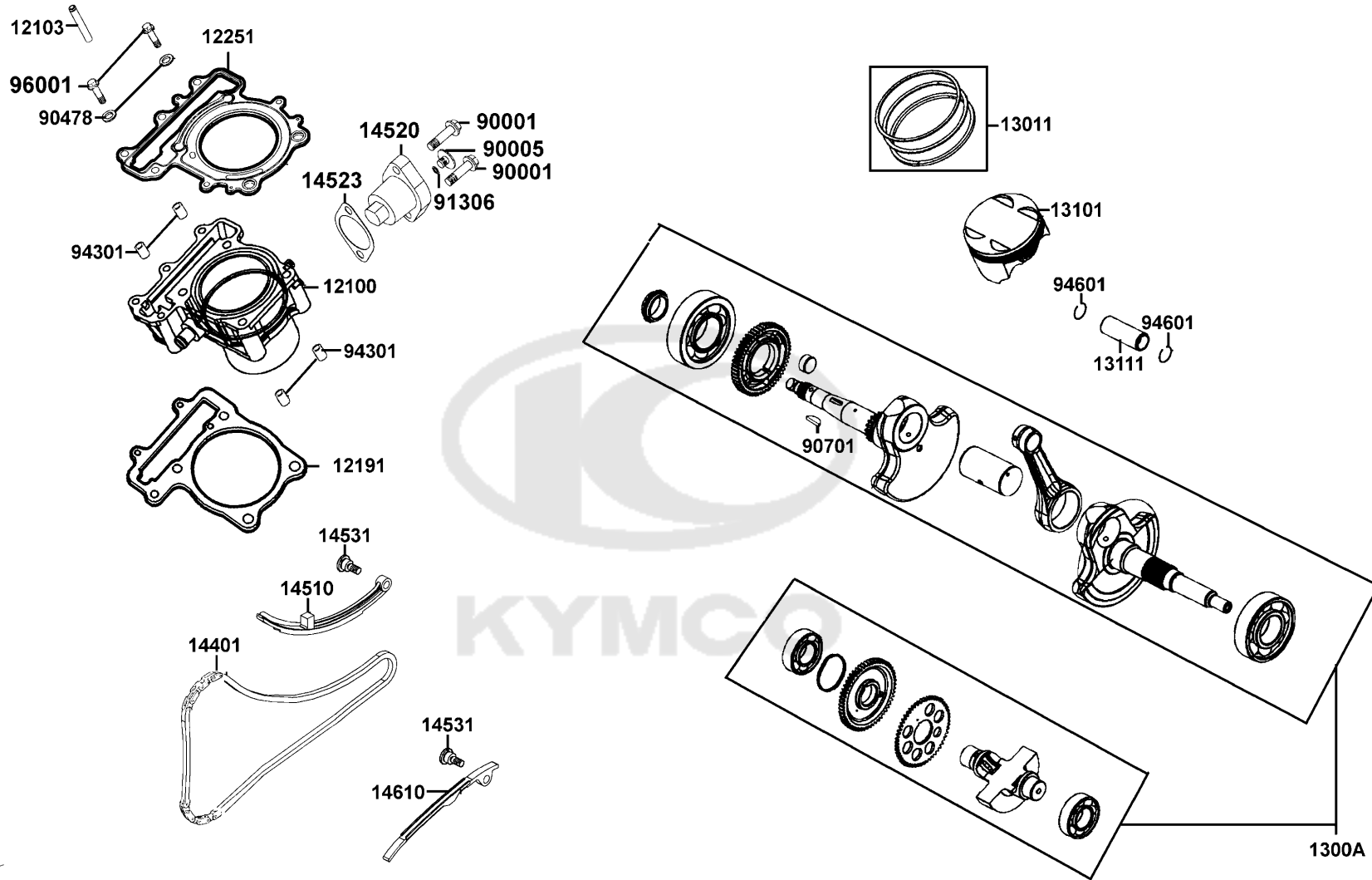
Cylinder Piston Crankshaft



Sales mark	Ref no	Part no	Description	Reg description	Regd no	E03
	12100	12100-LDB5-E00	CYLINDER COMP	CYLINDER COMP	1	
	12103	12103-LBA2-E00	STOPPER CYLN WATER	STOPPER CYLN WATER	1	
	12191	12191-LDB5-E00	GASKET CYLINDER	GASKET CYLINDER	1	
	12251	12251-LBA2-E00	GASKET CYLINDER HEAD	GASKET CYLINDER HEAD	1	
	1300A	1300A-ALC1-305	CRANK BALANCER COMP	CRANK BALANCER COMP	1	
	13011	13011-LBA2-E0B	RING SET PISTON/E901	RING SET PISTON/E901	1	
	13101	13101-LDG7-E00	PISTON	PISTON	1	
	13111	13111-LBA2-E00	PIN PISTON	PIN PISTON	1	
	14401	14401-LBA2-E00	CHAIN CAM	CHAIN CAM	1	
	14510	14510-LDB5-E00	TENSIONER CAM CHAIN	TENSIONER CAM CHAIN	1	
	14520	14520-LDB5-E00	LIFTER ASSY TENSIONER	LIFTER ASSY TENSIONER	1	
	14523	14523-KED9-900	GASKET TENSIONER LIFTER @A	GASKET TENSIONER LIFTER @A	1	
	14531	14531-KED9-900	PIVOT TENSION GUIDE	PIVOT TENSION GUIDE	2	
	14610	14610-LBA2-E00	GUIDE COMP CAM CHAIN	GUIDE COMP CAM CHAIN	1	
	90001	90001-GBHB-661	BOLT FLANGE SH 6*22	BOLT FLANGE SH 6*22	2	
	90005	90005-KED9-900	BOLT SPECIAL 6*6	BOLT SPECIAL 6*6	1	
	90478	90478-7L00-001	WASHER A 6MM	WASHER A 6MM	2	
	90701	90701-LDB5-E00	KEY WAY ACG	KEY WAY ACG	1	
	91306	91306-1E05-691	O-RING 1.5*9.5	O-RING 1.5*9.5	1	
	94301	94301-12200	DOWEL PIN 12*20	DOWEL PIN 12*20	4	

E03

Cylinder Piston Crankshaft



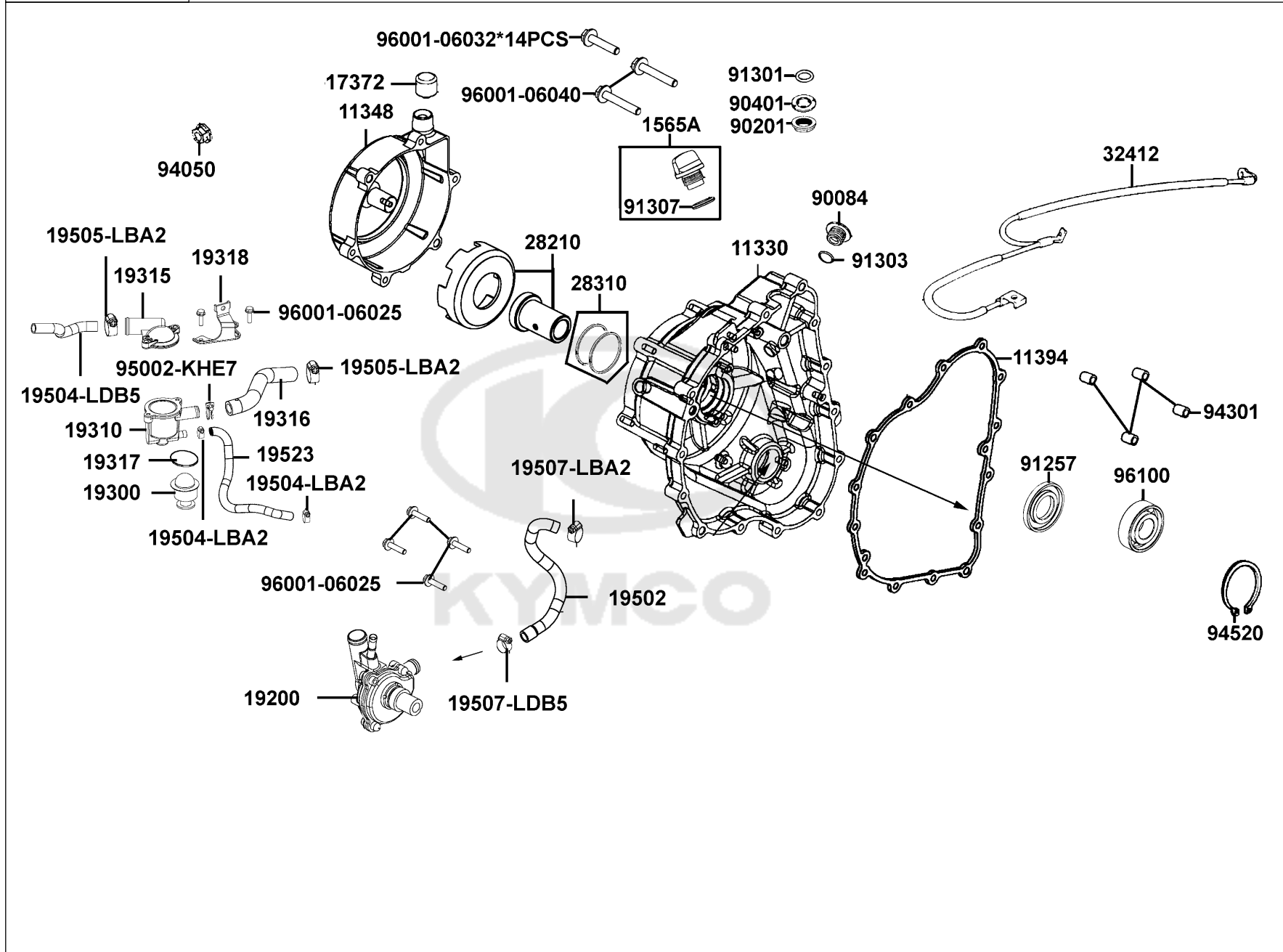
Sales mark	Ref no	Part no	Description	Reg description	Regd no	E03
------------	--------	---------	-------------	-----------------	---------	------------

	94601	94601-22000	CLIP PISTON PIN 22MM	CLIP PISTON PIN 22MM	2	
	96001	96001-06040-06	BOLT FLANGE SH 6*40	BOLT FLANGE SH 6*40	1	



E04

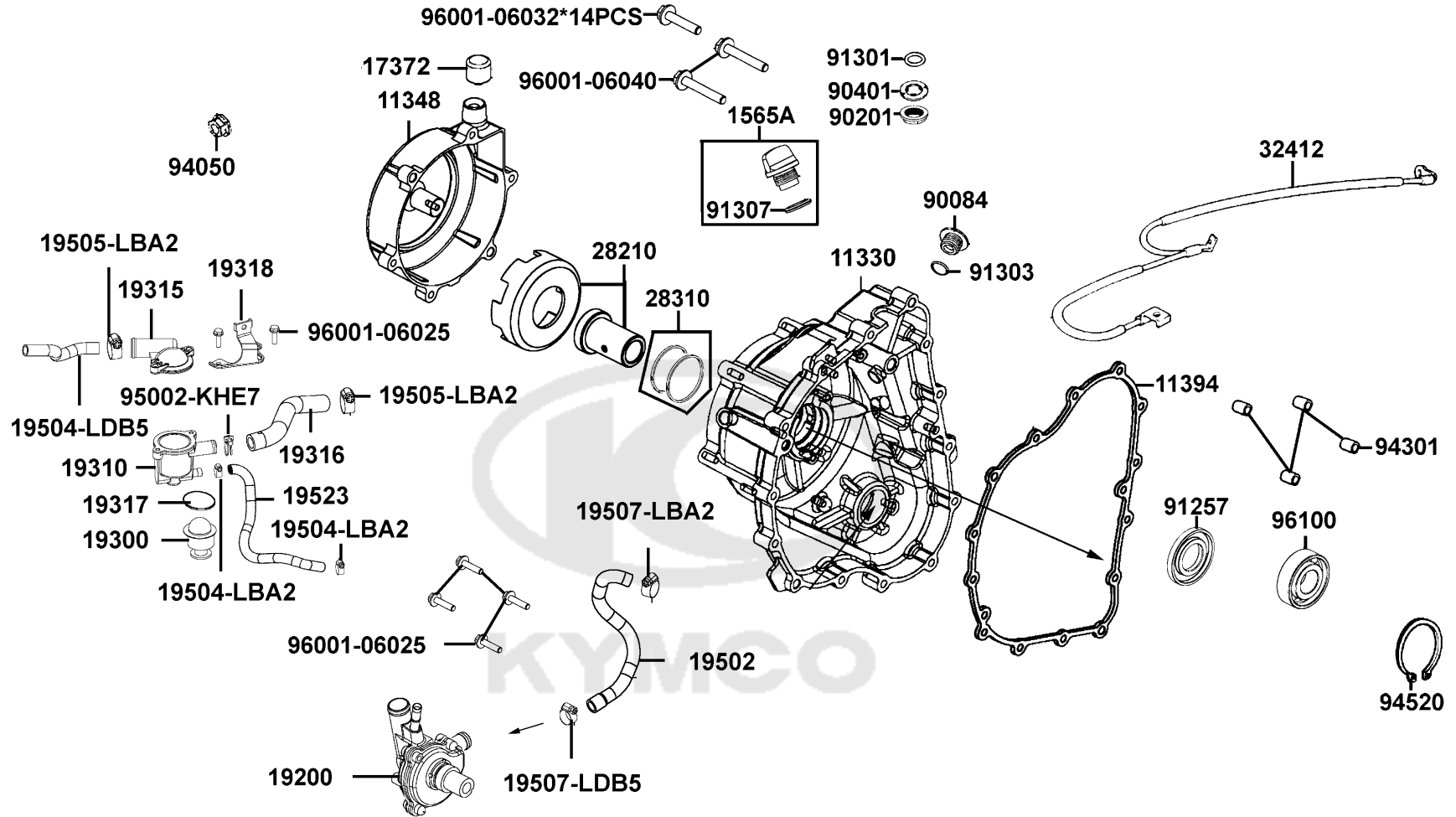
Right Crankcase Cover Water Pump



Sales mark	Ref no	Part no	Description	Reg description	Regd no	E04
	11330	11330-LEE8-E00	COVER ASSY R CRANK CASE	COVER ASSY R CRANK CASE	1	
**	11348	11348-LDB5-E00	COVER STARTING	COVER STARTING	1	
	11394	11394-LDB5-E00	GASKET COVER	GASKET COVER	1	
	1565A	1565A-PWA1-900	GAUGE OIL LEVEL ASSY	GAUGE OIL LEVEL ASSY	1	
	17372	17372-LEE8-E00	RUBBER PLUG STARTING COVER	RUBBER PLUG STARTING COVER	1	
	19200	19200-LEE8-E00	WATER PUMP ASSY	WATER PUMP ASSY	1	
	19300	19300-LBA2-E00	THERMOSTAT ASSY	THERMOSTAT ASSY	1	
	19310	19310-LDB5-E00	CASE COMP THERMOSTAT	CASE COMP THERMOSTAT	1	
	19315	19315-LBA2-E00	COVER THERMOSTAT	COVER THERMOSTAT	1	
	19316	19316-LFE9-E00	HOSE THERMOSTAT	HOSE THERMOSTAT	1	
	19317	19317-LBA2-E00	RING 48.3*2	RING 48.3*2	1	
	19318	19318-LDB5-E00	BRKT THERMOSTAT	BRKT THERMOSTAT	1	
	19502	19502-LEE8-E00	HOSE B WATER	HOSE B WATER	1	
	19504-LBA2	19504-LBA2-E00	CLAMP D16.8	CLAMP D16.8	2	
	19504-LDB5	19504-LDB5-E00	HOSE WATER D RADIATOR-ENG	HOSE WATER D RADIATOR-ENG	1	
	19505-LBA2	19505-LBA2-E00	CLAMP WATER HOSE	CLAMP WATER HOSE	2	
	19507-LBA2	19507-LBA2-E00	CLAMP D 27.5	CLAMP D 27.5	1	
	19507-LDB5	19507-LDB5-E00	CLAMP D 28	CLAMP D 28	1	
	19523	19523-LDB5-E00	WATER HOSE A	WATER HOSE A	1	
	28210	28210-LDB5-E00	PLATE RACHET	PLATE RACHET	1	

E04

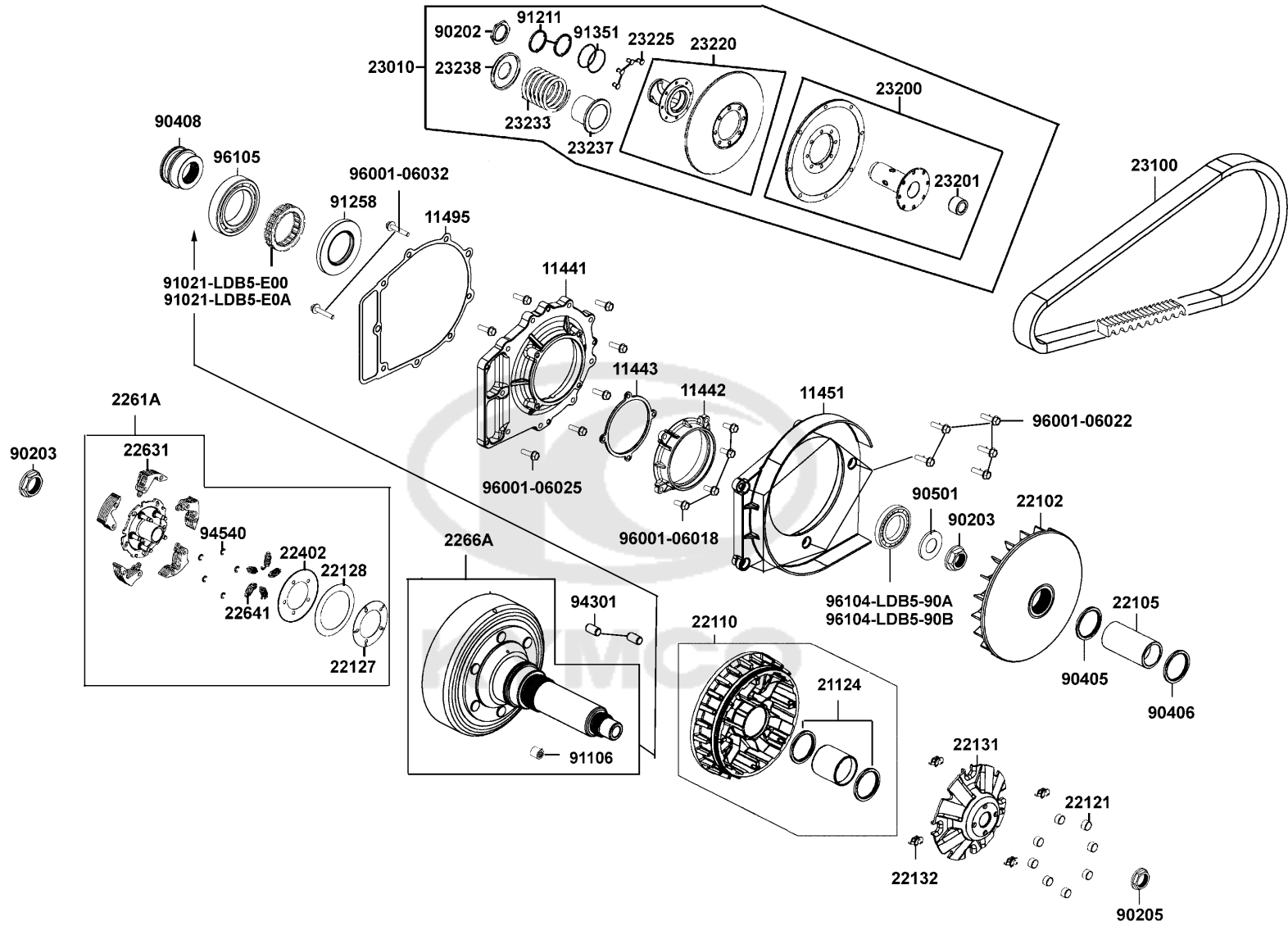
Right Crankcase Cover Water Pump



Sales mark	Ref no	Part no	Description	Reg description	Regd no	E04
28310		28310-LDB5-E00	RING OIL PATH	RING OIL PATH	2	
32412		32412-ALC1-E00	CABLE EARTH	CABLE EARTH	1	
90201		90201-KHR8-75A	NUT FLANGE 14MM	NUT FLANGE 14MM	1	
90401		90401-KKJ9-001	WASHER THRUST 14*28*2	WASHER THRUST 14*28*2	1	
91257		91257-LDB5-E00	OIL SEAL 45*60*7	OIL SEAL 45*60*7	1	
91301		91301-LDB5-E00	O-RING 16MM	O-RING 16MM	1	
91303		91303-3G77-001	O-RING 13.8*2.5	O-RING 13.8*2.5	1	
91307		91307-0E35-001	O RING 18*3	O RING 18*3	1	
94050		94050-06080	NUT FLANGE 6MM	NUT FLANGE 6MM	1	
94301		94301-08140	DOWEL PIN 8*14	DOWEL PIN 8*14	4	
94520		94520-47000	CIR CLIP IN 47	CIR CLIP IN 47	1	
95002-KHE7		95002-KHE7-900	CLIP WATER HOSE	CLIP WATER HOSE	1	
96001-06025		96001-06025-06	BOLT FLANGE SH 6*25	BOLT FLANGE SH 6*25	1	
96001-06032		96001-06032-06	BOLT FLANGE 6*32	BOLT FLANGE 6*32	1	
96001-06040		96001-06040-06	BOLT FLANGE SH 6*40	BOLT FLANGE SH 6*40	1	
96100		96100-69060-00	BEARING BALL RADIAL 6906	BEARING BALL RADIAL 6906	1	

E05

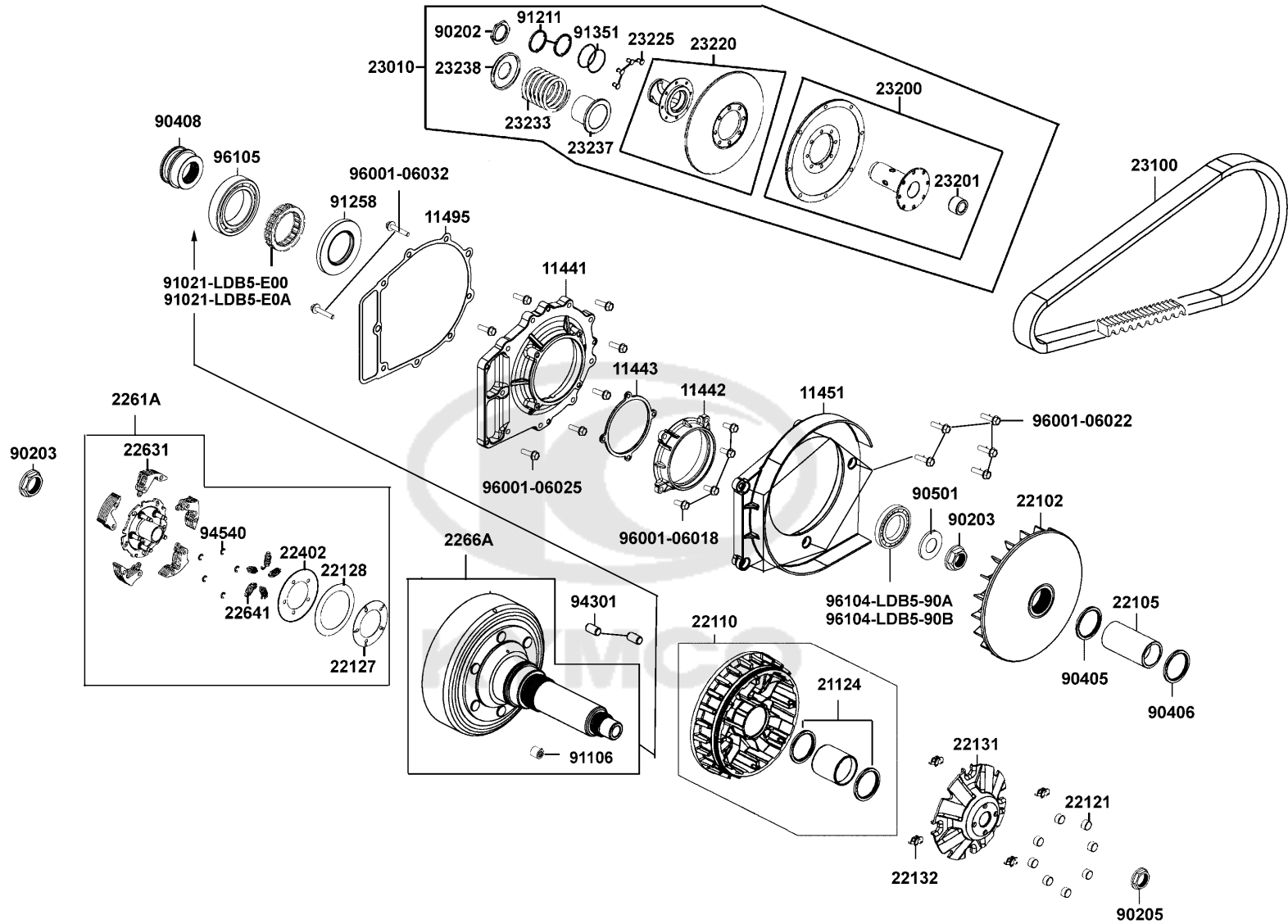
Drive Pulley



Sales mark	Ref no	Part no	Description	Reg description	Regd no	E05
	11441	11441-LDB5-910	COVER CLUTCH	COVER CLUTCH	1	
	11442	11442-LDB5-900	COVER PRIMARY SHAFT	COVER PRIMARY SHAFT	1	
	11443	11443-LDB5-900	GASKET PRIMARY SHAFT COVER	GASKET PRIMARY SHAFT COVER	1	
	11451	11451-LDB5-E00	COVER CVT FAN	COVER CVT FAN	1	
	11495	11495-LDB5-E00	GASKET CLUTCH COVER	GASKET CLUTCH COVER	1	
	21124	21124-LDB5-E00	OIL SEAL 42X51X4	OIL SEAL 42X51X4	2	
	22102	22102-LDB5-E00	FACE DRIVE	FACE DRIVE	1	
	22105	22105-LDB5-E00	BOSS DRIVE FACE	BOSS DRIVE FACE	1	
	22110	22110-LDB5-E00	FACE COMP MOVABLE DRIVE	FACE COMP MOVABLE DRIVE	1	
	22121	22121-LFE9-305	ROLLER SET WEIGHT (1SET:8PCS)	ROLLER SET WEIGHT (1SET:8PCS)	1	
	22127	22127-LDB5-E00	SEAT ADJUSTER SPG	SEAT ADJUSTER SPG	1	
	22128	22128-LDB5-E00	PLATE ADJUSTER SPG	PLATE ADJUSTER SPG	1	
	22131	22131-LDB5-E00	PLATE RAMP	PLATE RAMP	1	
	22132	22132-LDB5-E00	PLATE SLIDE	PLATE SLIDE	4	
	22402	22402-LDB5-E00	SPR ADJUSTER	SPR ADJUSTER	1	
	2261A	2261A-LDB5-900	PLATE ASSY PRIMARY DRIVE	PLATE ASSY PRIMARY DRIVE	1	
	22631	22631-LDB5-E00	PRIMARY CLUTCH WEIGHT	PRIMARY CLUTCH WEIGHT	5	
	22641	22641-LDB5-E00	PRIMARY CLUTH SPG	PRIMARY CLUTH SPG	5	
	2266A	2266A-LDB5-910	PRIMARY DRIVE GEAR COMP	PRIMARY DRIVE GEAR COMP	1	
	23010	23010-LFE9-E00	PULLEY ASSY DRIVEN	PULLEY ASSY DRIVEN	1	

E05

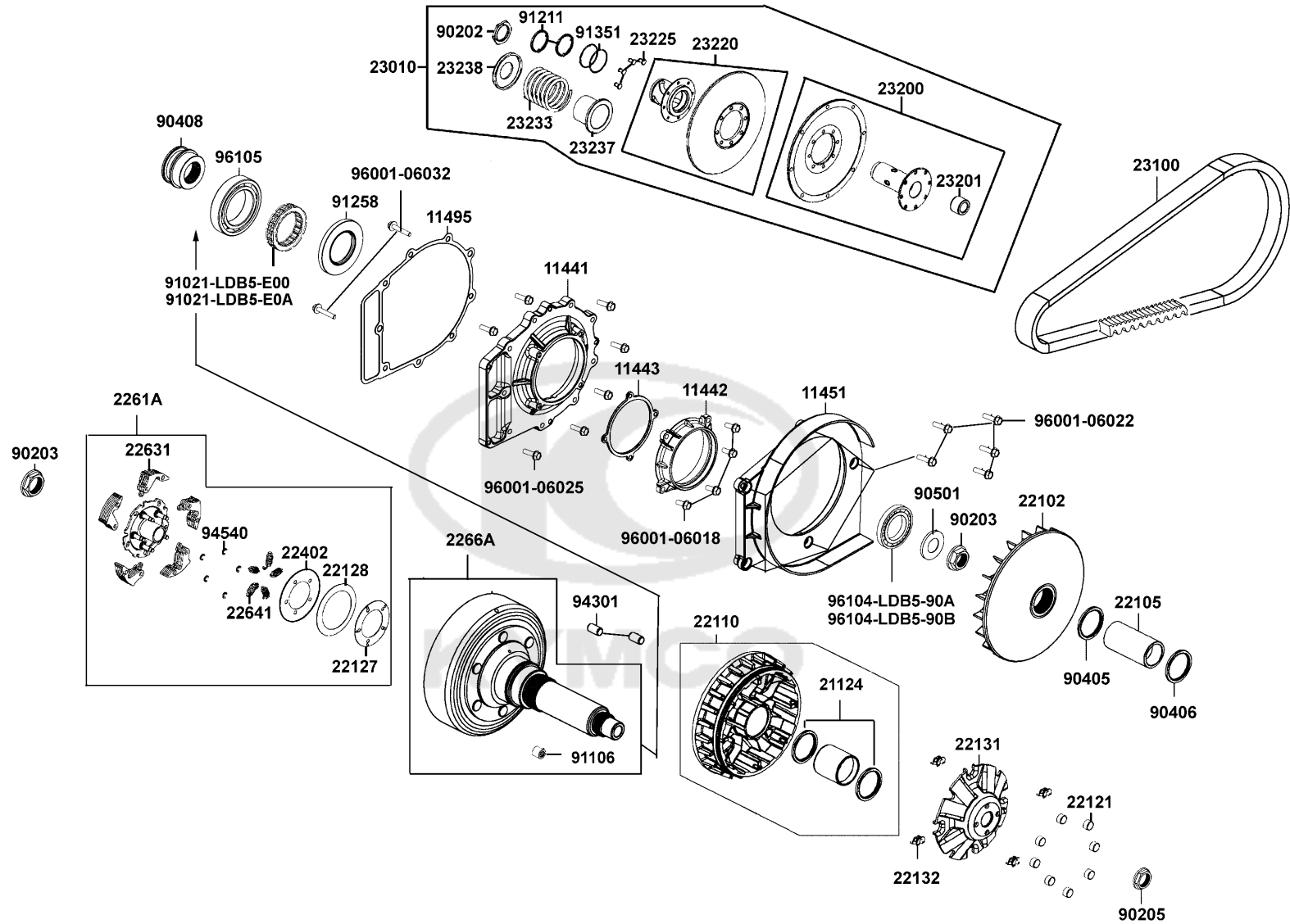
Drive Pulley



Sales mark	Ref no	Part no	Description	Reg description	Regd no	E05
23100		23100-LDB5-E00	BELT DRIVE	BELT DRIVE	1	
23200		23200-LDB5-E00	FACE ASSY DRIVEN	FACE ASSY DRIVEN	1	
23201		23201-LDB5-E00	BUSH MOVABLE FACE	BUSH MOVABLE FACE	1	
23220		23220-LDB5-E00	FACE COMP MOVABLE DRIVE	FACE COMP MOVABLE DRIVE	1	
23225		23225-LDB5-E00	PIN ROLLER GUIDE	PIN ROLLER GUIDE	4	
23233		23233-LFE9-E00	SPG DRIVEN FACE	SPG DRIVEN FACE	1	
23237		23237-LDB5-E00	COLLAR SEAL	COLLAR SEAL	1	
23238		23238-LDB5-E00	COLLAR SPG	COLLAR SPG	1	
90202		90202-LDB5-E00	NUT SPECIAL 36MM	NUT SPECIAL 36MM	1	
90203		90203-LDB5-E00	NUT FLANGE 20MM	NUT FLANGE 20MM	2	
90205		90205-LDB5-E00	NUT FLANGE 16 mm	NUT FLANGE 16 mm	1	
90405		90405-LDB5-E00	COLLAR CLUTCH 30X48.5X5	COLLAR CLUTCH 30X48.5X5	1	
90406		90406-LDB5-E00	WASHER 25*33*4	WASHER 25*33*4	1	
90408		90408-LDB5-900	COLLAR PRIMARY DRIVE SHAFT	COLLAR PRIMARY DRIVE SHAFT	1	
90501		90501-LDB5-E00	WASHER THRUST 20MM	WASHER THRUST 20MM	1	
91021-LDB5-E00		91021-LDB5-E00	BEARING ONE WAY	BEARING ONE WAY	1	
91021-LDB5-E0A		91021-LDB5-E0A	BEARING ONE WAY	BEARING ONE WAY	1	
91106		91106-LDB5-E00	BRG NEEDLE 14*22*20	BRG NEEDLE 14*22*20	1	
91211		91211-LDB5-E00	SEAL DRIVEN FACE 40.2*47*4	SEAL DRIVEN FACE 40.2*47*4	1	
91258		91258-LDB5-900	OIL SEAL 56.5*80*7	OIL SEAL 56.5*80*7	1	

E05

Drive Pulley

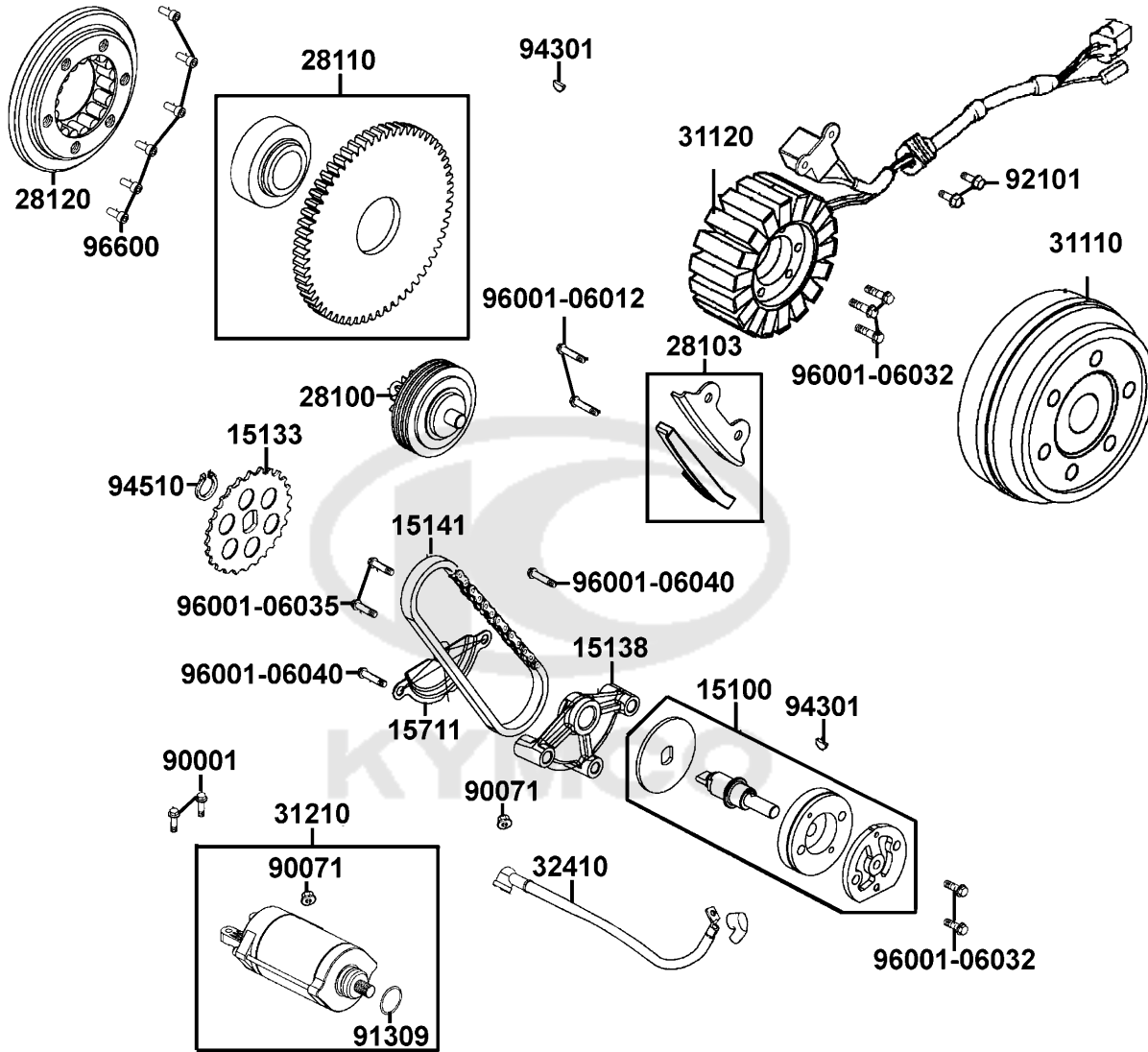


Sales mark	Ref no	Part no	Description	Reg description	Regd no	E05
91351		91351-LDB5-E00	O-RING PINION CAP	O-RING PINION CAP	2	
94301		94301-08140	DOWEL PIN 8*14	DOWEL PIN 8*14	2	
94540		94540-07017	E RING 7MM	E RING 7MM	5	
96001-06018		96001-06018-06	BOLT FLANGE SH 6X18	BOLT FLANGE SH 6X18	1	
96001-06022		96001-06022-06	BOLT FLANGE SH 6*22 (G)	BOLT FLANGE SH 6X22	1	
96001-06025		96001-06025-06	BOLT FLANGE SH 6*25	BOLT FLANGE SH 6*25	1	
96001-06032		96001-06032-06	BOLT FLANGE 6*32	BOLT FLANGE 6*32	1	
96104-LDB5-90A		96104-LDB5-90A	BEARING BALL RADIAL 16008	BEARING BALL RADIAL 16008	1	
96104-LDB5-90B		96104-LDB5-90B	BEARING BALL RADIAL 16008	BEARING BALL RADIAL 16008	1	
96105		96105-LDB5-90C	BRG BALL RADIAL 68150	BRG BALL RADIAL 68150	1	



E06

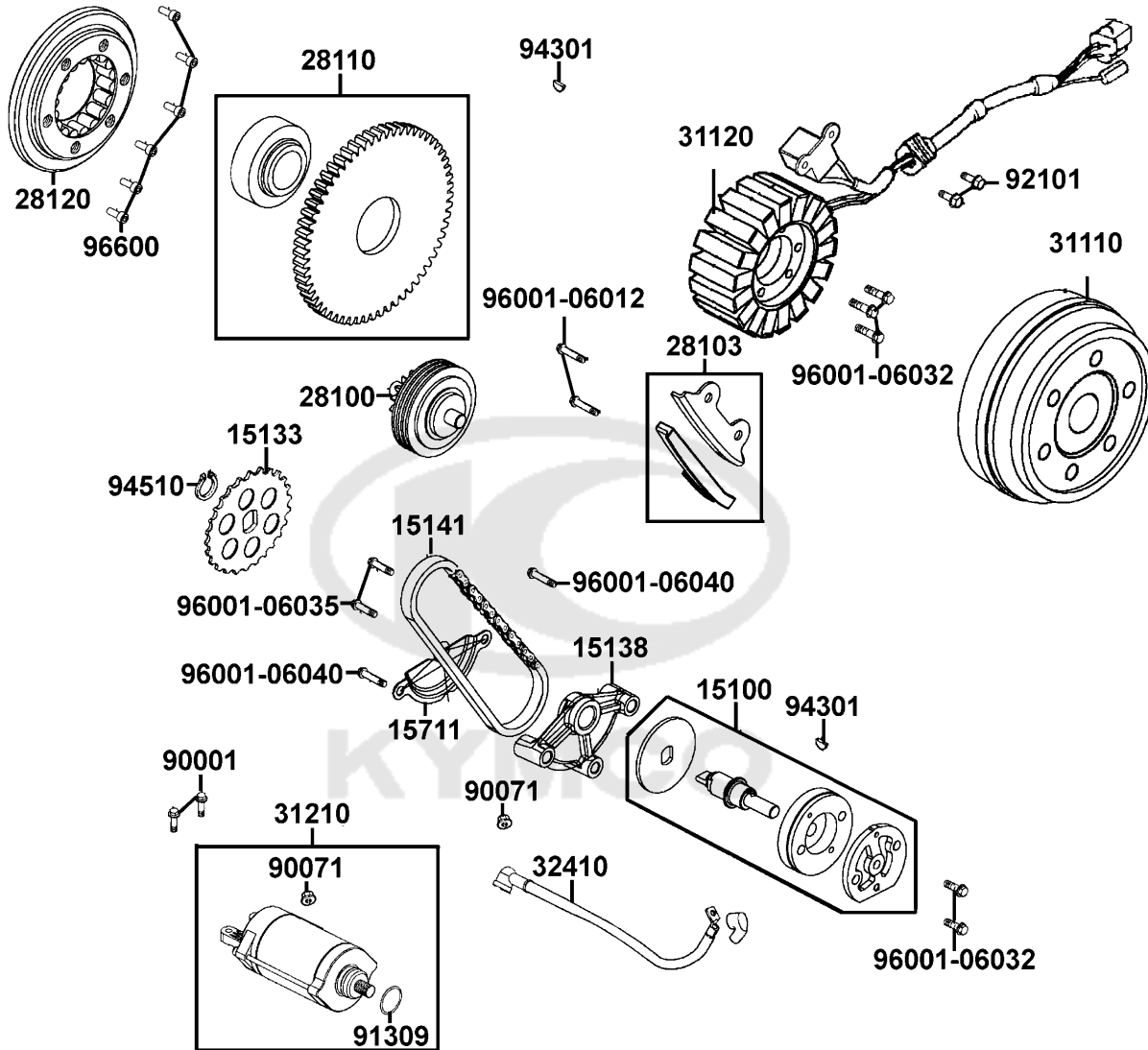
Starting Motor Generator



Sales mark	Ref no	Part no	Description	Reg description	Regd no	E06
	15100	15100-LDB5-E00	PUMP ASSY OIL	PUMP ASSY OIL	1	
	15133	15133-LBA2-E00	SPROCKET OIL PUMP DRIVE	SPROCKET OIL PUMP DRIVE	1	
	15138	15138-LDB5-E00	HOLDER OIL PUMP SHAFT	HOLDER OIL PUMP SHAFT	1	
	15141	15141-LDB5-E00	CHAIN OIL PUMP	CHAIN OIL PUMP	1	
	15711	15711-LDB5-E00	SEPARATER OIL	SEPARATER OIL	1	
	28100	28100-LKM5-E00	SHAFT COMP REDUCTION	SHAFT COMP REDUCTION	1	
	28103	28103-LDB5-E00	GUIDE OIL PUMP CHAIN	GUIDE OIL PUMP CHAIN	1	
	28110	28110-LKA8-E00	GEAR COMP.STARTING CLUTCH	GEAR COMP.STARTING CLUTCH	1	
	28120	28120-KKE5-E0A	ONE WAY CLUTCH	ONE WAY CLUTCH	1	
	31110	31110-LKA8-E0A	FLYWHEEL COMP (D406)	FLYWHEEL COMP (D406)	1	
	31120	31120-LKA8-E0A	STATOR COMP (D406)	STATOR COMP (D406)	1	
	31210	31210-LBA2-E00	MOTOR UNIT STARTER	MOTOR UNIT STARTER	1	
	32410	32410-LDB5-E00	CABLE STARTER MOTOR	CABLE STARTER MOTOR	1	
	90001	90001-GBHB-661	BOLT FLANGE SH 6*22	BOLT FLANGE SH 6*22	2	
	90071	90071-MLB0-001	NUT WASH 6MM	NUT WASH 6MM	2	
	91309	91309-4E25-004	O-RING 24.4*3.1	O-RING 24.4*3.1	1	
	92101	92101-05012-0G	BOLT HEX 5X12	BOLT HEX 5X12	1	
	94301	94301-08140	DOWEL PIN 8*14	DOWEL PIN 8*14	2	
	94510	94510-10000	CIR CLIP EX 10MM	CIR CLIP EX 10MM	1	
	96001-06012	96001-06012-06	BOLT FLANGE SH 6*12	BOLT FLANGE SH 6*12	1	

E06

Starting Motor Generator



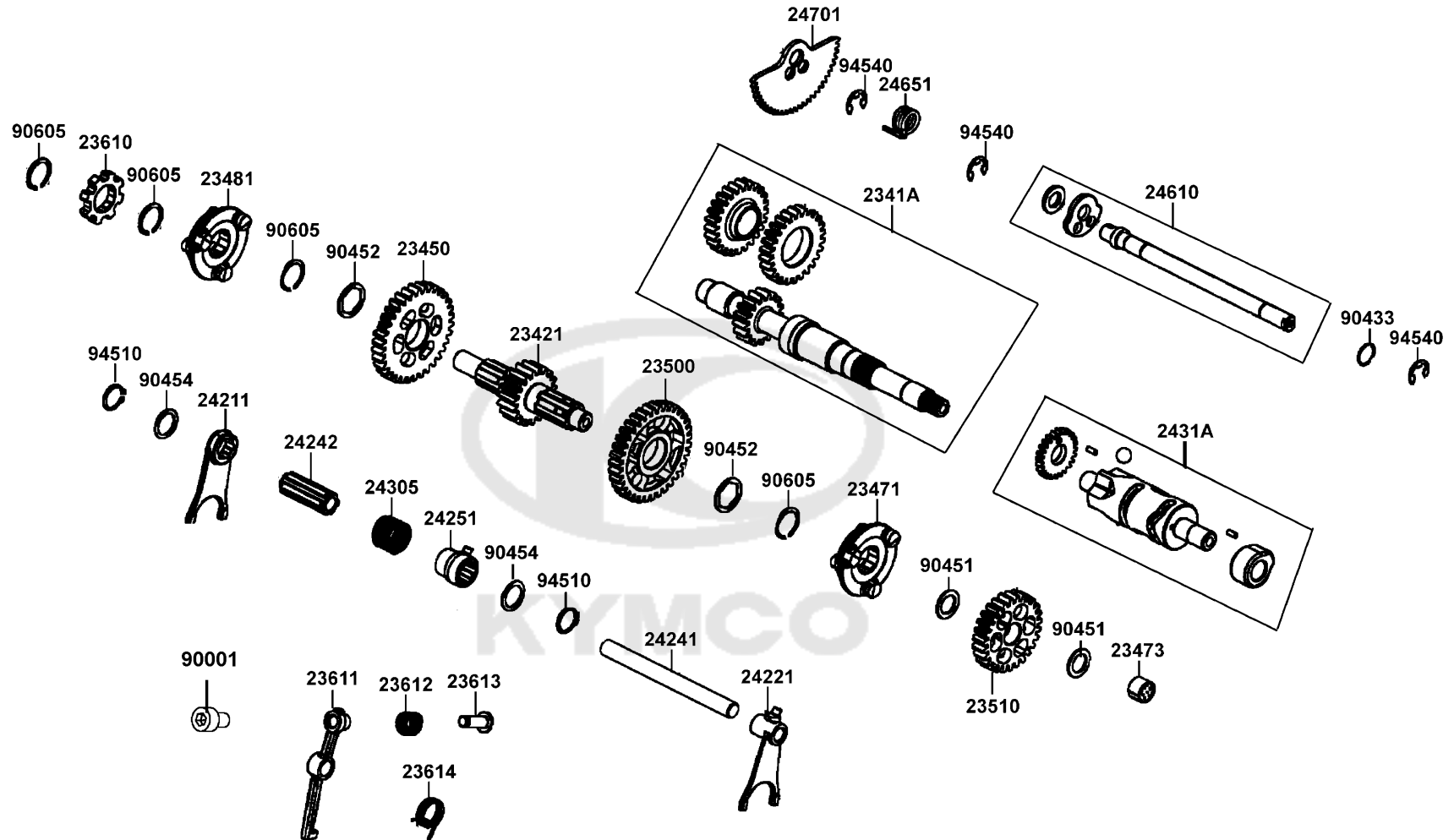
Sales mark	Ref no	Part no	Description	Reg description	Regd no	E06
------------	--------	---------	-------------	-----------------	---------	------------

	96001-06032	96001-06032-06	BOLT FLANGE 6*32	BOLT FLANGE 6*32	1	
	96001-06035	96001-06035-06	BOLT FLANGE SH 6*35	BOLT FLANGE 6*35	1	
	96001-06040	96001-06040-06	BOLT FLANGE SH 6*40	BOLT FLANGE SH 6*40	1	
	96600	96600-08015-16	SOCKET BOLT 8X15	SOCKET BOLT 8X15	1	



E07

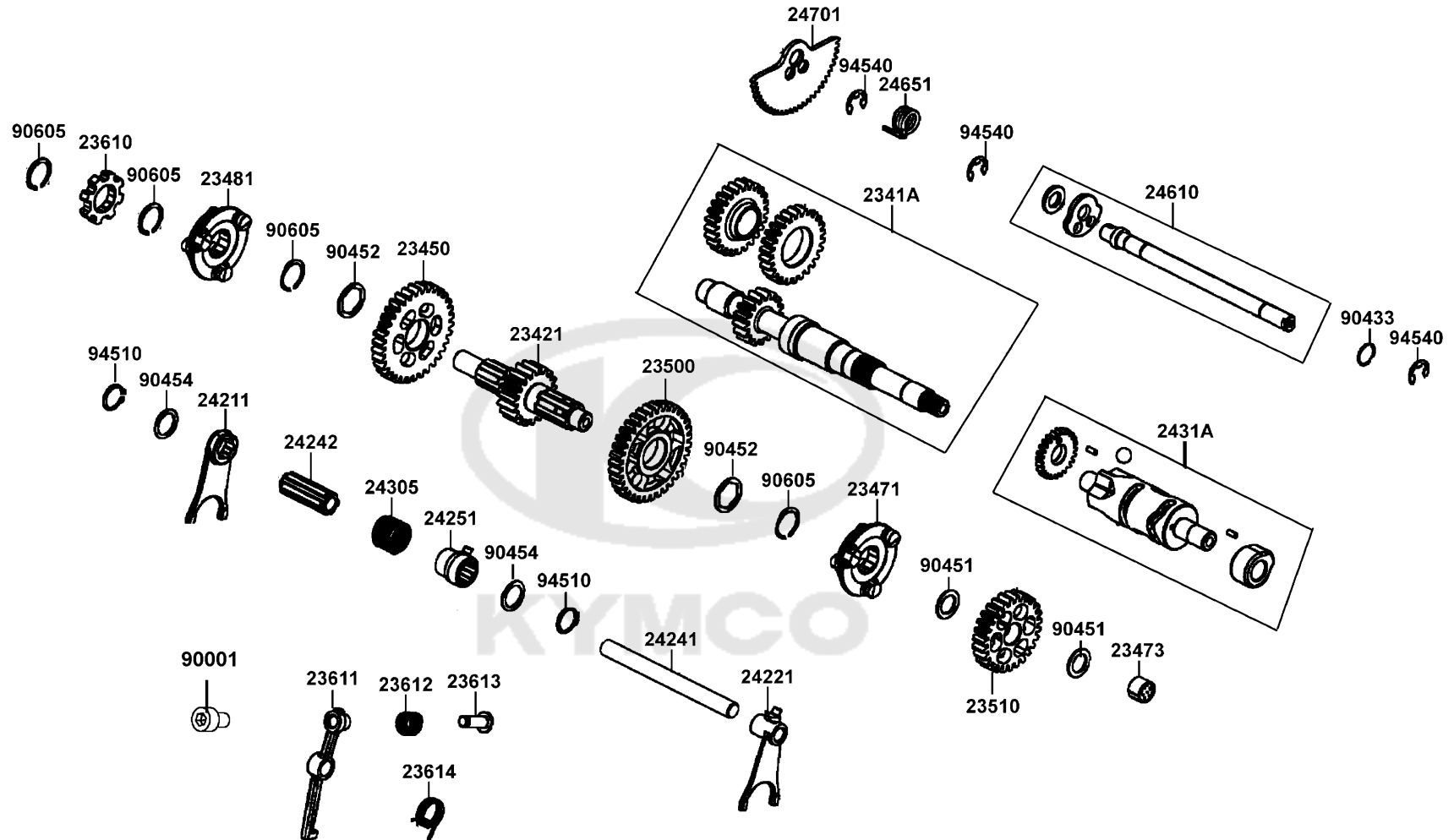
Clutch Assy Primary



Sales mark	Ref no	Part no	Description	Reg description	Regd no	E07
	2341A	2341A-LDB5-900	SHAFT ASSY DRIVE	SHAFT ASSY DRIVE	1	
	23421	23421-LDB5-E00	SHAFT COUNTER 19T	SHAFT COUNTER 19T	1	
	23450	23450-LDB5-E00	GEAR COMP BACKWARD 2ST DRIVEN	GEAR COMP BACKWARD 2ST DRIVEN	1	
	23471	23471-LDB5-E00	SHIFT FORWARD & LOWER	SHIFT FORWARD & LOWER	1	
	23473	23473-LDB5-E00	COLLAR 20*17*14	COLLAR 20*17*14	1	
	23481	23481-LDB5-E00	SHIFT BACKWARD	SHIFT BACKWARD	1	
	23500	23500-LDB5-E00	GEAR COMP LOWER DRIVE	GEAR COMP LOWER DRIVE	1	
	23510	23510-LDB5-900	GEAR FORWARD DRIVEN 27T	GEAR FORWARD DRIVEN 27T	1	
	23610	23610-LDB5-E00	STOPPER PARK	STOPPER PARK	1	
	23611	23611-LDB5-E00	ARM PARK	ARM PARK	1	
	23612	23612-LDB5-E00	SPRING A PARK	SPRING A PARK	1	
	23613	23613-LDB5-E00	GUIDE PARK	GUIDE PARK	1	
	23614	23614-LDB5-E00	SPRING B PARK	SPRING B PARK	1	
	24211	24211-LDB5-E00	FORK RIGHT GEAR SHIFT	FORK RIGHT GEAR SHIFT	1	
	24221	24221-LDB5-E00	FORK LEFT GEAR SHIFT	FORK LEFT GEAR SHIFT	1	
	24241	24241-LDB5-E00	SHAFT GEAR SHIFT FORK	SHAFT GEAR SHIFT FORK	1	
	24242	24242-LDB5-E00	COLLAR RIGHT FORK	COLLAR RIGHT FORK	1	
	24251	24251-LDB5-E00	GUIDE RIGHT FORK	GUIDE RIGHT FORK	1	
	24305	24305-LDB5-E00	SPRING RIGHT FORK	SPRING RIGHT FORK	1	
	2431A	2431A-LDB5-E00	DRUM ASSY GEAR SHIFT	DRUM ASSY GEAR SHIFT	1	

E07

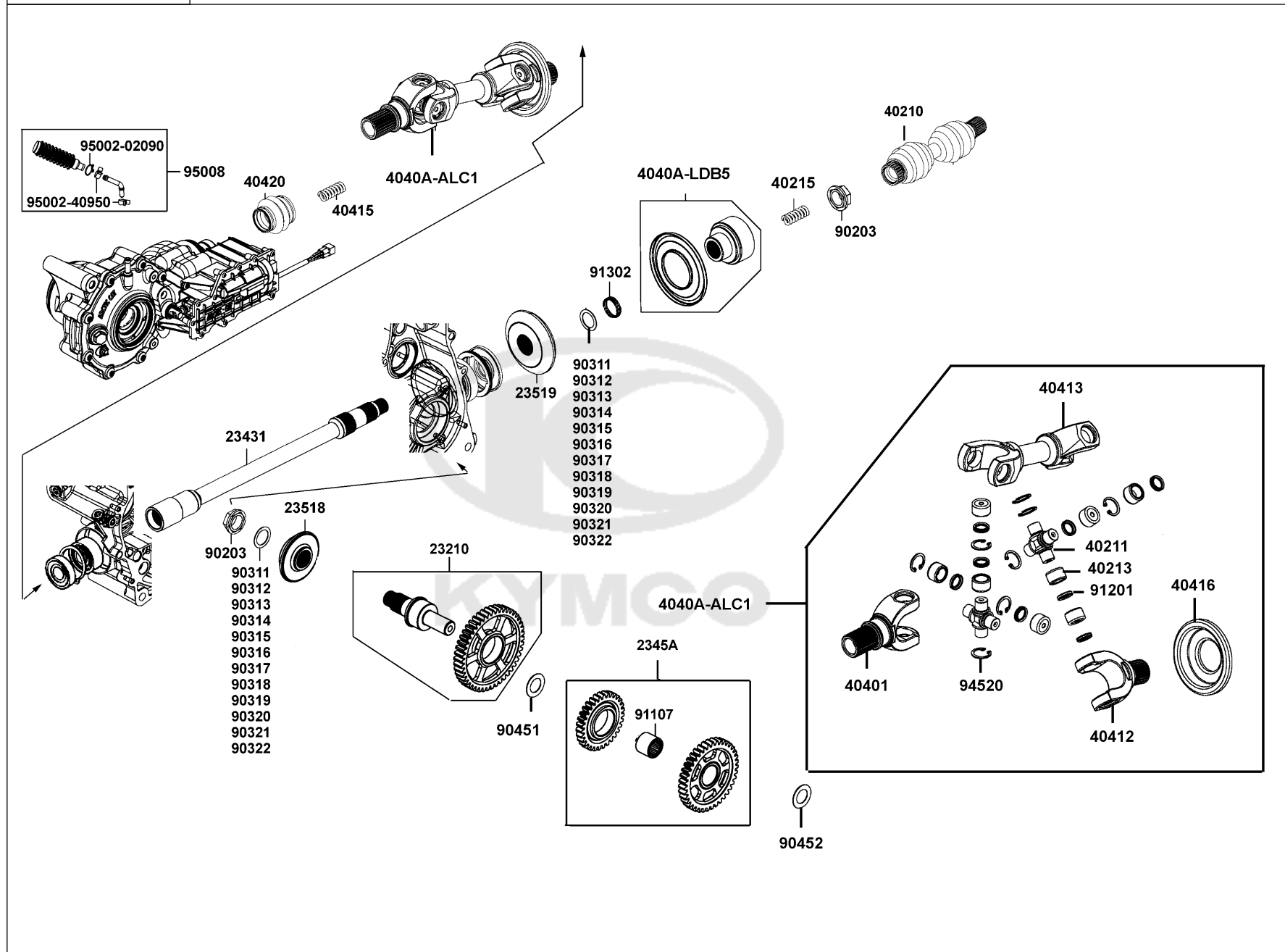
Clutch Assy Primary



Sales mark	Ref no	Part no	Description	Reg description	Regd no	E07
24610		24610-LDB5-E00	SPINDLE COMP DRUM SHIFT	SPINDLE COMP DRUM SHIFT	1	
24651		24651-LDB5-E00	SPRING GEAR SHIFT RETURN	SPRING GEAR SHIFT RETURN	1	
24701		24701-LDB5-E00	GEAR CHANGE HNDL	GEAR CHANGE HNDL	1	
90001		90001-GFY6-901	SOCKET BOLT 6*10 (B)	SOCKET BOLT 6*10 (B)	1	
90433		90433-KAM1-001	WASHER 14MM	WASHER 14MM	1	
90451		90451-LDB5-E00	WASHER THRUST 17MM	WASHER THRUST 17MM	2	
90452		90452-KED9-900	WASHER 25*31*1.5	WASHER 25*31*1.5	2	
90454		90454-1G07-001	WASHER THRUST 20MM B	WASHER THRUST 20MM B	2	
90605		90605-KED9-900	SET RING 28MM	SET RING 28MM	4	
94510		94510-20000	CIR CLIP EX 20	CIR CLIP EX 20	2	
94540		94540-12028	E RING 12	E RING 12	3	

E08

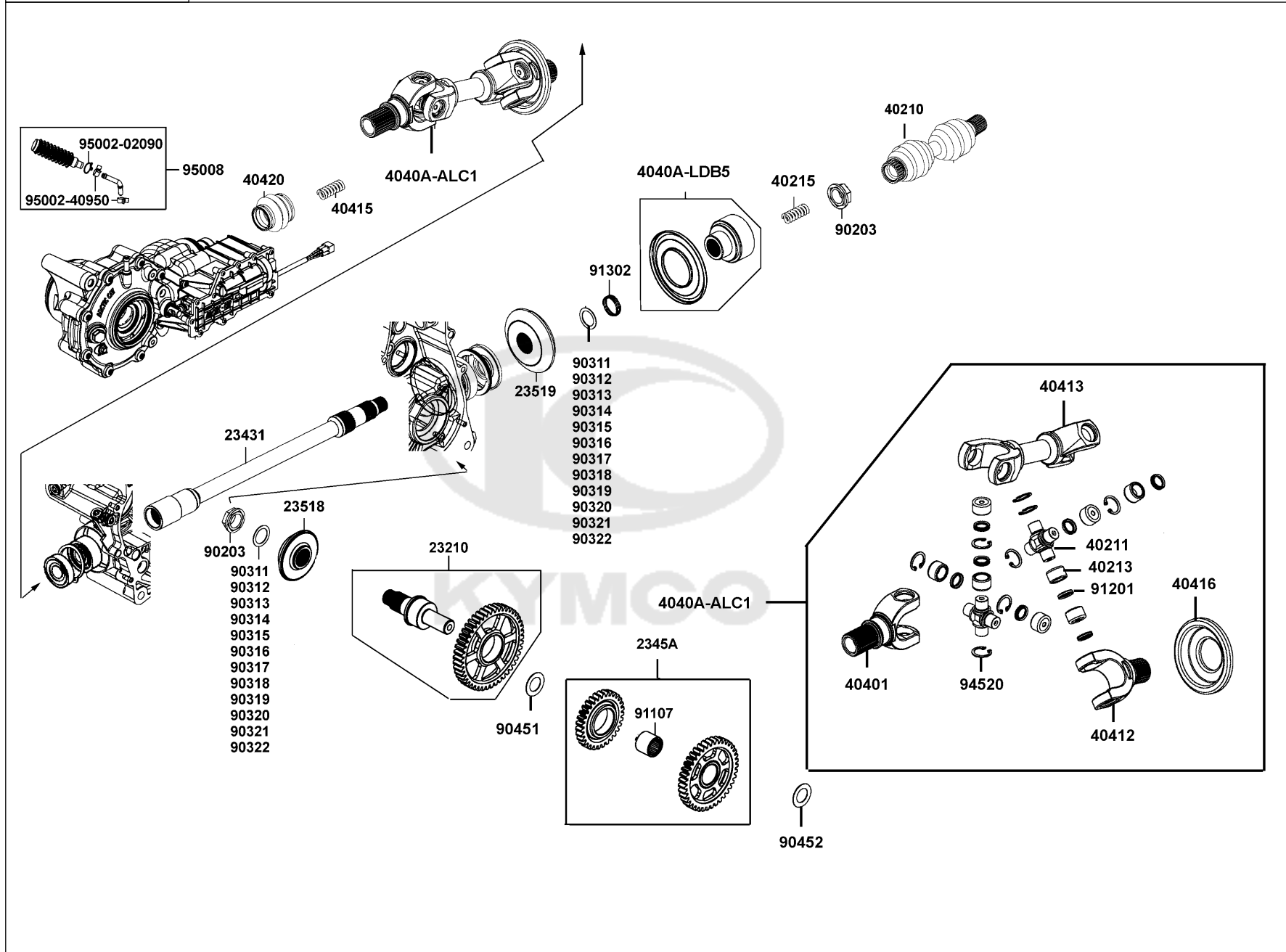
Shaft Reduction



Sales mark	Ref no	Part no	Description	Reg description	Regd no	E08
23210		23210-LDB5-E00	SHAFT COMP MAIN	SHAFT COMP MAIN	1	
23431		23431-LDB5-E00	SHAFT FINAL	SHAFT FINAL	1	
2345A		2345A-LDB5-E00	GEAR COMP BACKWARD	GEAR COMP BACKWARD	1	
23518		23518-LKM5-E00	BEVEL GEAR DRIVE (18T)	BEVEL GEAR DRIVE (18T)	1	
23519		23519-LKM5-E00	BEVEL GEAR DRIVE (24T)	BEVEL GEAR DRIVE (24T)	1	
40210		40210-LFE9-E00	CVJ REAR PROPELLER SHAFT	CVJ REAR PROPELLER SHAFT	1	
40211		40211-LCD9-E00	SPIDER YORK	SPIDER YORK	2	
40213		40213-LCD9-E00	BRG YORK 12*18*16	BRG YORK 12*18*16	8	
40215		40215-LFE9-E00	SPRING REAR PROPELLER SHAFT	SPRING REAR PROPELLER SHAFT	1	
40401		40401-ALC1-E00	YORK B FRONT U JOINT	YORK B FRONT U JOINT	1	
4040A-ALC1		4040A-ALC1-E00	YOKE,DRIVE-FRONT ASSEMBLY	YOKE DRIVE FRONT ASSEMBLY	1	
4040A-LDB5		4040A-LDB5-E00	COUPLING RR PROPELLER	COUPLING RR PROPELLER	1	
40412		40412-LDB5-E00	YORK A. FRONT U JOINT	YORK A. FRONT U JOINT	1	
40413		40413-ALC1-E00	YORK , FRONT U JOINT	YORK FRONT U JOINT	1	
40415		40415-LDB5-E00	SPRING FR PROPELLER SHAFT	SPRING FR PROPELLER SHAFT	2	
40416		40416-LDB5-E00	UNIVERSAL JOINT PLATE	UNIVERSAL JOINT PLATE	1	
40420		40420-LFE9-E00	BOOT REAR PROPELLER SHAFT	BOOT REAR PROPELLER SHAFT	1	
90203		90203-LDB5-E00	NUT FLANGE 20MM	NUT FLANGE 20MM	2	
90311		90311-LDB5-E00	SHIM DRIVEN BEVEL GEAR A	SHIM DRIVEN BEVEL GEAR A (0.575~0.625)	2	
90312		90312-LDB5-E00	SHIM DRIVEN BEVEL GEAR B	SHIM DRIVEN BEVEL GEAR B (0.625~0.675)	2	

E08

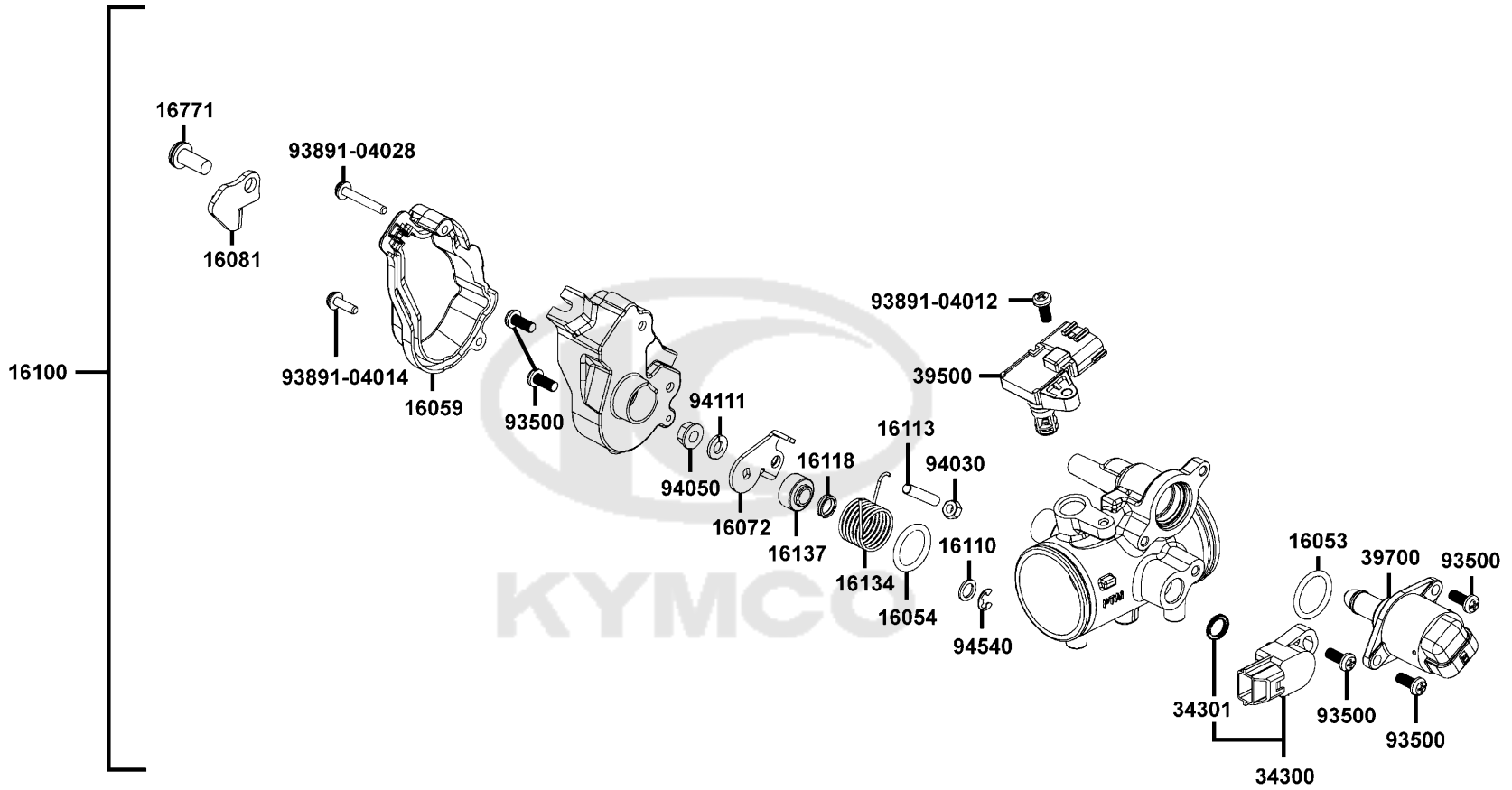
Shaft Reduction



Sales mark	Ref no	Part no	Description	Reg description	Regd no	E08
	90313	90313-LDB5-E00	SHIM DRIVEN BEVEL GEAR C	SHIM DRIVEN BEVEL GEAR C (0.675~0.725)	2	
	90314	90314-LDB5-E00	SHIM DRIVEN BEVEL GEAR D	SHIM DRIVEN BEVEL GEAR D (0.725~0.775)	2	
	90315	90315-LDB5-E00	SHIM DRIVEN BEVEL GEAR E	SHIM DRIVEN BEVEL GEAR E (0.775~0.825)	2	
	90316	90316-LDB5-E00	SHIM DRIVEN BEVEL GEAR F	SHIM DRIVEN BEVEL GEAR F (0.825~0.875)	2	
	90317	90317-LDB5-E00	SHIM DRIVEN BEVEL GEAR G	SHIM DRIVEN BEVEL GEAR G (0.875~0.925)	2	
	90318	90318-LDB5-E00	SHIM DRIVEN BEVEL GEAR H	SHIM DRIVEN BEVEL GEAR H (0.925~0.975)	2	
	90319	90319-LDB5-E00	SHIM DRIVEN BEVEL GEAR I	SHIM DRIVEN BEVEL GEAR I (0.975~1.025)	2	
	90320	90320-LDB5-E00	SHIM DRIVEN BEVEL GEAR J	SHIM DRIVEN BEVEL GEAR J (1.025~1.075)	2	
	90321	90321-LDB5-E00	SHIM DRIVEN BEVEL GEAR K	SHIM DRIVEN BEVEL GEAR K (1.075~1.125)	2	
	90322	90322-LDB5-E00	SHIM DRIVEN BEVEL GEAR L	SHIM DRIVEN BEVEL GEAR L (1.125~1.175)	2	
	90451	90451-LBA7-900	WASHER THRUST 20MM	WASHER THRUST 20MM	1	
	90452	90452-LDB5-E00	WASHER THRUST 20*36*3	WASHER THRUST 20*36*3	1	
	91107	91107-LDB5-E00	BRG NEEDLE 20*28*23	BRG NEEDLE 20*28*23	1	
	91201	91201-LCD9-E00	OIL SEAL 13*17.5*4.5	OIL SEAL 13*17.5*4.5	8	
	91302	91302-LDB5-E00	O-RING 22MM	O-RING 22MM	1	
	94520	94520-19000	CIR CLIP IN 19	CIR CLIP IN 19	8	
	95002-02090	95002-02090	CLIP B9 TUBE	CLIP B9 TUBE	1	
	95002-40950	95002-40950-08	CLAMP D9.5 TUBE	CLAMP D9.5 TUBE	2	
	95008	95008-ALC1-E00	HOSE VENT GEARCASE(120mm)	HOSE VENT GEARCASE(120mm)	1	

E09

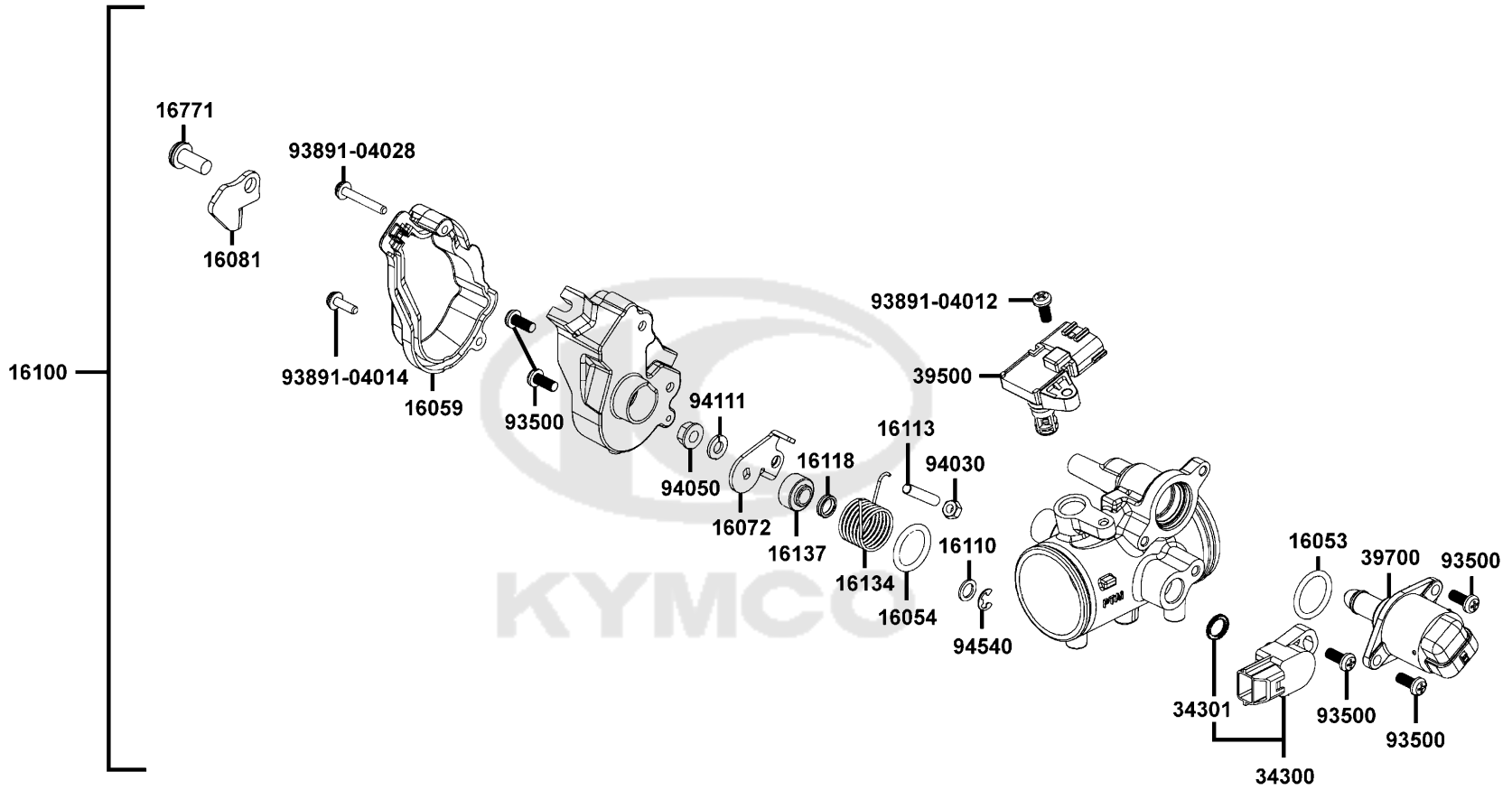
THROTTLE BODY, ASSY.




Sales mark	Ref no	Part no	Description	Reg description	Regd no	E09
	16053	16053-PTA1-800	SEAL	SEAL	1	
	16054	16054-PTA1-800	OIL RING	OIL RING	1	
**	16059	16059-LDB5-E00	COVER WIRE STAY	COVER WIRE STAY	1	
	16072	16072-PTA1-800	DRUM. THROTTLE	DRUM. THROTTLE	1	
	16081	16081-LKM5-E00	STOPPER DRUM THROTTLE	STOPPER DRUM THROTTLE	1	
	16100	16100-AED1-E00	THROTTLE BODY ASSY	THROTTLE BODY ASSY	1	
	16110	16110-KGC5-900	WASHER THROTTLE ASSY	WASHER SHAFT ASSY	1	
	16113	16113-PTA1-800	PILOT SCREW	PILOT SCREW	1	
	16118	16118-LBF2-900	SEAL THROTTLE SHAFT	SEAL THROTTLE SHAFT	1	
	16134	16134-LDB5-E00	SPG THROTTLE SHAFT	SPG THROTTLE SHAFT	1	
	16137	16137-PTA1-800	COLLAR LEVER	COLLAR LEVER	1	
	16771	16771-GKAK-220	SCREW-WASHER M4x30	SCREW-WASHER M4*30	1	
	34300	34300-KKE3-900	THROTTLE POSITION SENSOR	THROTTLE POSITION SENSOR	1	
	34301	34301-KKE3-900	O-RING T.P.S.	O-RING T.P.S.	1	
	39500	39500-PTA1-800	SENSOR T-MAP	SENSOR T-MAP	1	
	39700	39700-PTA1-800	BY PASS VALVE IDLE AIR	BY PASS VALVE IDLE AIR	1	
	93500	93500-05012-0F	SCREW PAN 5X12	SCREW PAN 5X12	1	
	93891-04012	93891-04012-06	SCREW WASH 4*12	SCREW WASH 4*12	1	
	93891-04014	93891-04014-06	SCREW WASHER 4X14	SCREW WASHER 4X14	1	
	93891-04028	93891-04028-06	SCREW WASHER 4X28	SCREW WASHER 4X28	1	

E09

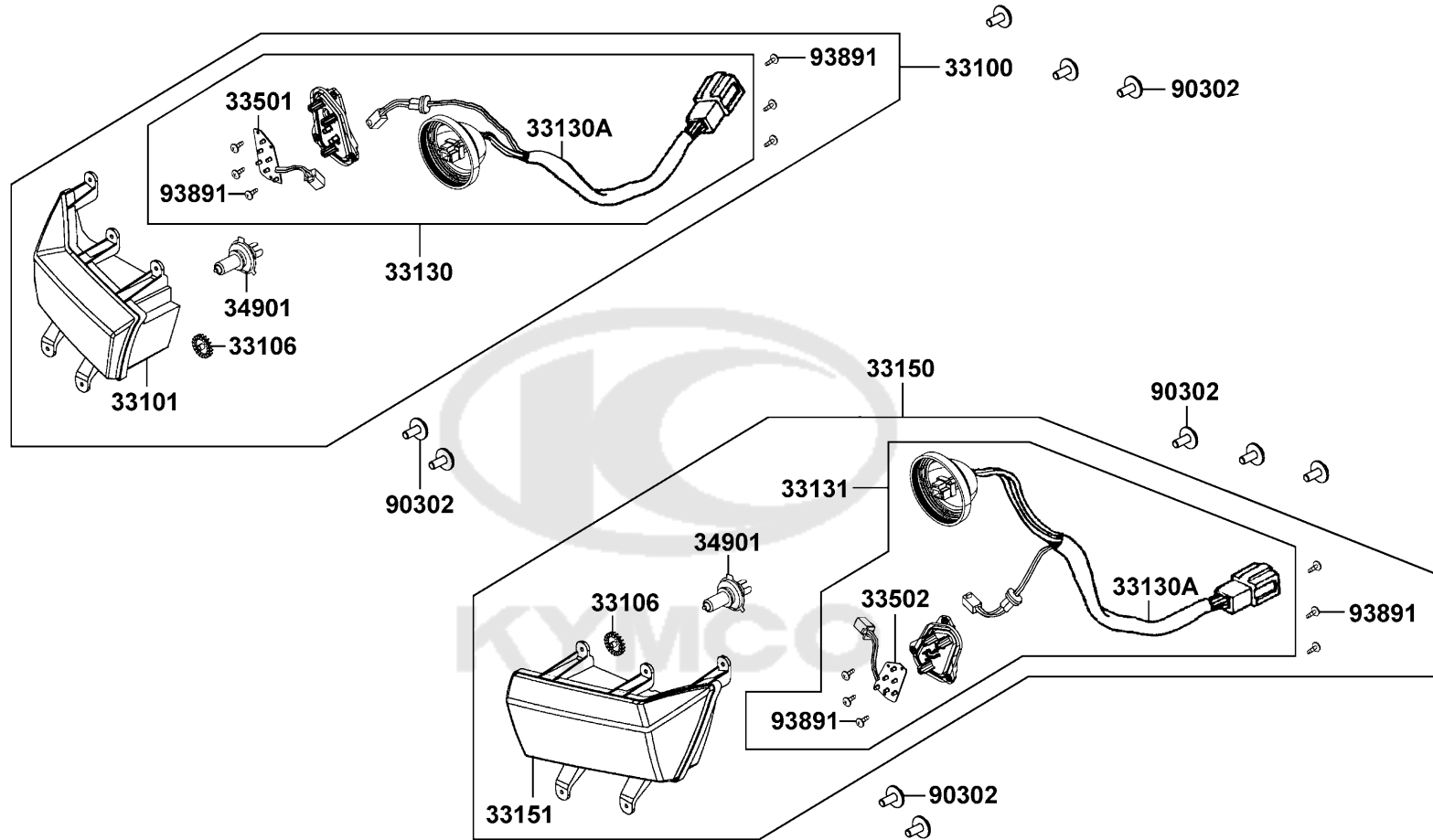
THROTTLE BODY, ASSY.



Sales mark	Ref no	Part no	Description	Reg description	Regd no	E09
	94030	94030-PTA1-800	NUT HEX 5mm	NUT HEX 5mm	1	
	94050	94050-06080	NUT FLANGE 6MM	NUT FLANGE 6MM	1	
	94111	94111-06800	WASHER SPRING 6MM	WASHER SPRING 6MM	1	
	94540	94540-50029	E CLIP SHAFT	E CLIP SHAFT	1	
						

F01

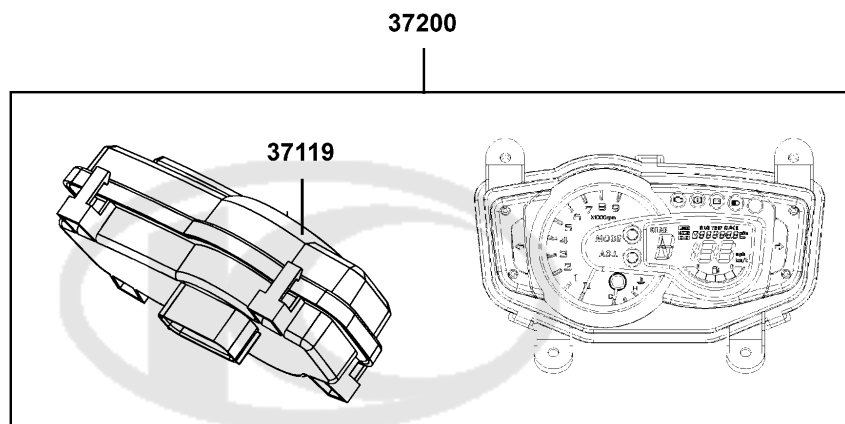
Head Light



Sales mark	Ref no	Part no	Description	Reg description	Regd no	F01
33100		33100-ALC1-E00	LIGHT ASSY..HEAD	LIGHT ASSY R HEAD	1	
33101		33101-ALC1-E00	UNIT HEAD R LIGHT	UNIT HEAD R LIGHT	1	
33106		33106-ALC1-E00	TURNTABLE ADJUST	TURNTABLE ADJUST	2	
33130		33130-ALC1-305	SOCKET R UNIT	SOCKET R UNIT	1	
33130A		33130-ALC1-E00	SOCKET UNIT	SOCKET UNIT	1	
33131		33131-ALC1-305	SOCKET L UNIT	SOCKET L UNIT	1	
33150		33150-ALC1-E00	LIGHT ASSYHEADL/H	LIGHT ASSY L HEAD	1	
33151		33151-ALC1-E00	UNIT HEAD L LIGHT	UNIT HEAD L LIGHT	1	
33501		33501-ALC1-E00	BULB R POSITION LIGHT	BULB R POSITION LIGHT	1	
33502		33502-ALC1-E00	BULB L POSITION LIGHT	BULB L POSITION LIGHT	1	
34901		34901-KFA6-900	BULB HEAD LIGHT	BULB HEAD LIGHT (HSI 12V 35/35W)	2	
90302		90302-PWA1-900	BOLT-WASH 5*16	BOLT-WASH 5*16	10	
93891		93891-ALC1-E00	SCREW TAPPING	SCREW TAPPING	12	

F02

Speed meter



93903

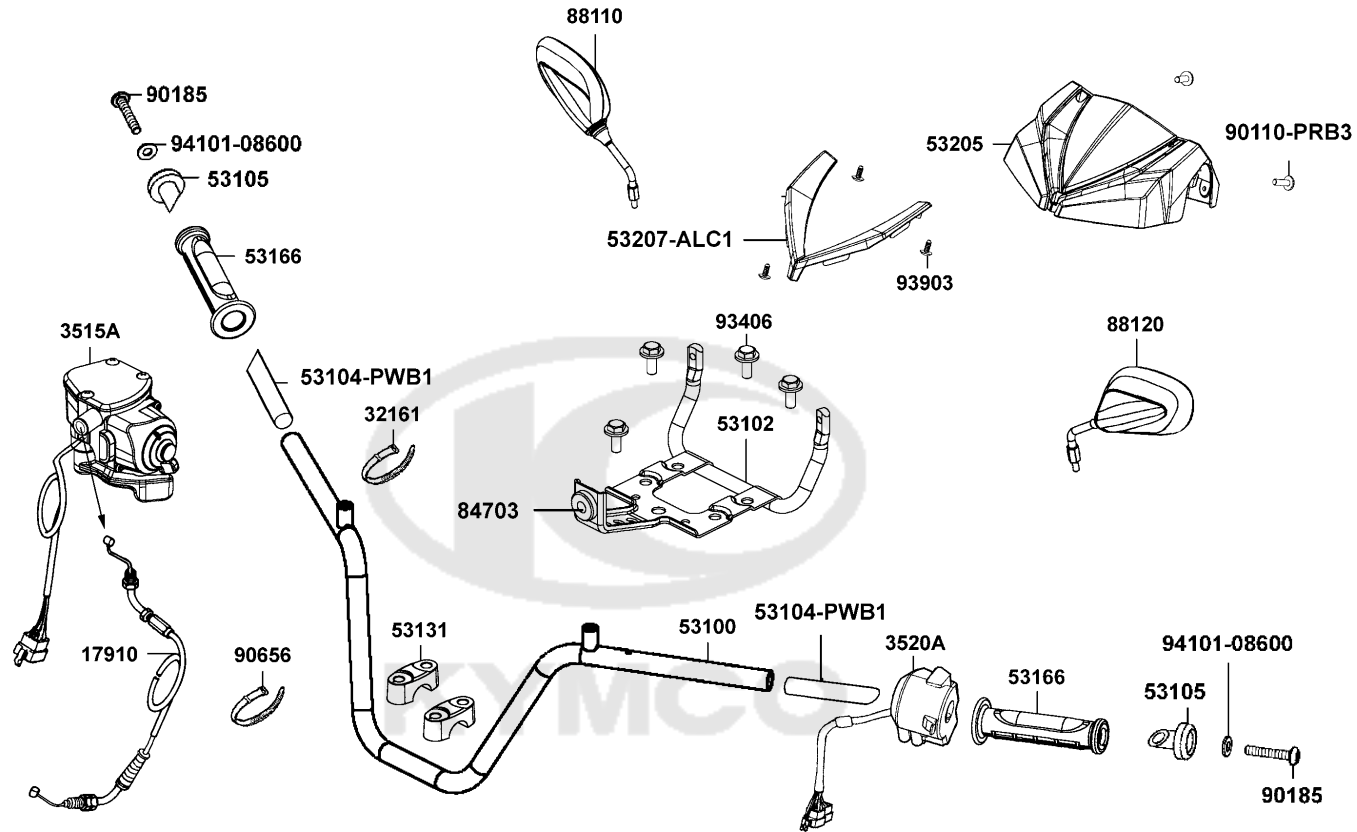


KYMCO

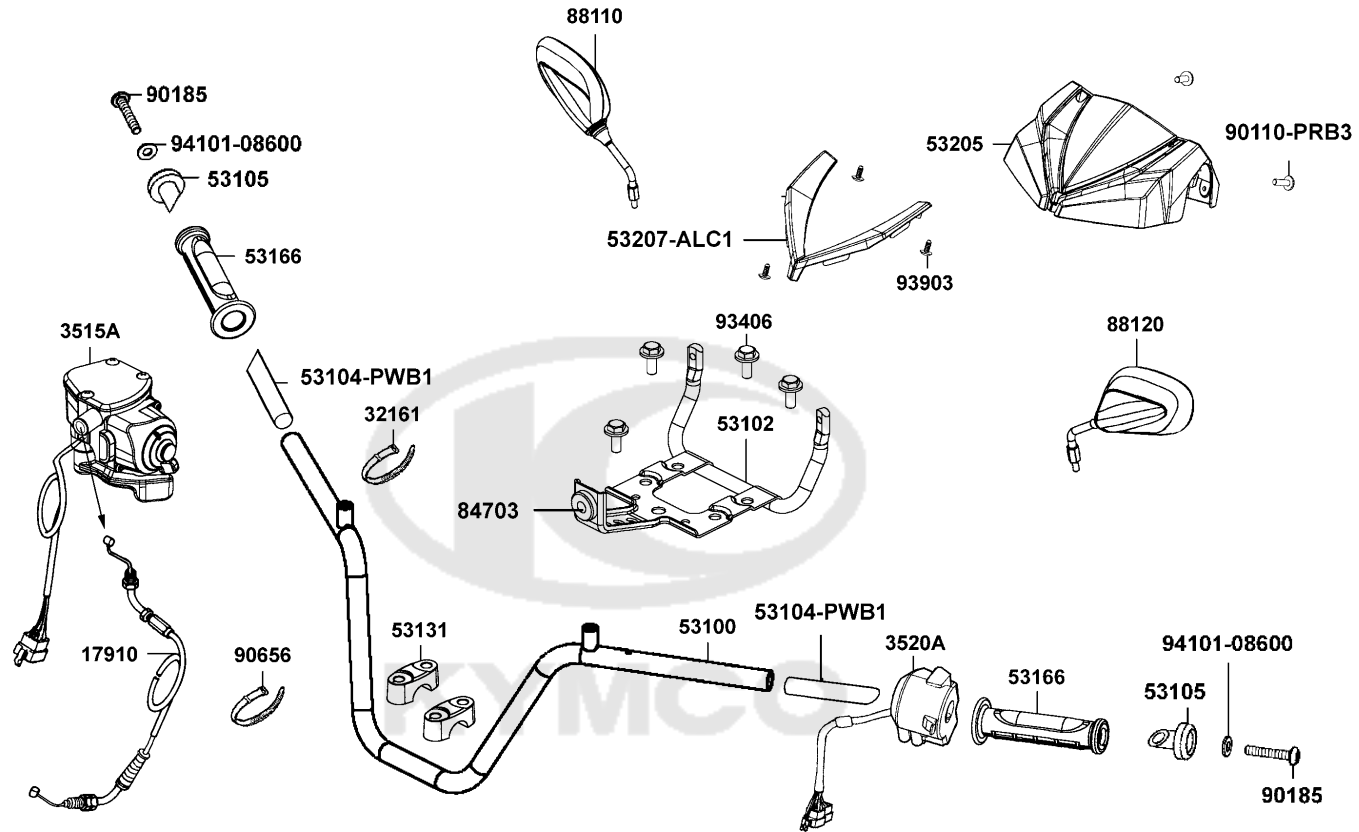
Sales mark	Ref no	Part no	Description	Reg description	Regd no	F02
------------	--------	---------	-------------	-----------------	---------	------------

37119		37119-ALC1-E00	LENS	LENS	1	
37200		37200-AEF2-E00	METER ASS'Y SPEED	METER ASS'Y SPEED	1	
93903		93903-35360	SCREW TAPPING 5*16	SCREW TAPPING 5*16	4	





Sales mark	Ref no	Part no	Description	Reg description	Regd no	F03
17910		17910-LDB5-E00	CABLE COMP THROT	CABLE COMP THROT	1	
32161		32161-4D04-001	BAND BI WIRE	BAND BI WIRE	2	
3515A		3515A-AED1-E00	SW & THROT ASS'Y RH HANDLE	SW & THROT ASS'Y RH HANDLE	1	
3520A		3520A-LDB5-EV0	SW ASSY HANDLE COMP (A.H.C.)	SW ASSY HANDLE COMP (A.H.C.)	1	
53100		53100-ALC1-E00	HANDLE PIPE STRG	HANDLE PIPE STRG	1	
53102		53102-ALC1-E00	STAY HANDLE COVER	STAY HANDLE COVER	1	
53104-PWB1		53104-PWB1-900	PLUG HANDLEBAR	PLUG HANDLEBAR	2	
53105		53105-PWB1-900	END HANDLEBAR-BLACK	END HANDLEBAR-BLACK	2	
53131		53131-4K39-001	HOLDER HANDLE PIPE	HOLDER HANDLE PIPE	2	
53166		53166-LGC7-E00	GRIP HANDLEBAR	GRIP HANDLEBAR	2	
**	53205	53205-ALC1-EV0	COVER HANDLE Dark Gray	COVER HANDLE Dark Gray	1	
**	53207-ALC1	53207-ALC1-600	LID COVER HANDLE	LID COVER HANDLE	1	
84703		84703-LLB1-900	RUBBER TAIL LIGHT	RUBBER TAIL LIGHT	1	
88110		88110-LBA7-E00	MIRROR ASSY R BACK	MIRROR ASSY R BACK	1	
88120		88120-LBA7-E00	MIRROR ASSY L BACK	MIRROR ASSY L BACK	1	
90110-PRB3		90110-PRB3-900	SCREW SPECUAL 5x16	SCREW SPECUAL 5x16	2	
90185		90185-PWB1-900	SOCKET BOLT 8x45	SOCKET BOLT 8x45	2	
90656		90656-KCBC-900	BAND OIL HANDLE 8X146	BAND OIL HANDLE 8X146	8	
93406		93406-LLB1-900	BOLT-WASHER 8*35	BOLT-WASHER 8*35	4	
93903		93903-35260	SCREW TAPPING 5*12	SCREW TAPPING 5*12	3	



Sales mark	Ref no	Part no	Description	Reg description	Regd no	F03
------------	--------	---------	-------------	-----------------	---------	------------

94101-08600

94101-08600

WASH PLAIN 8MM

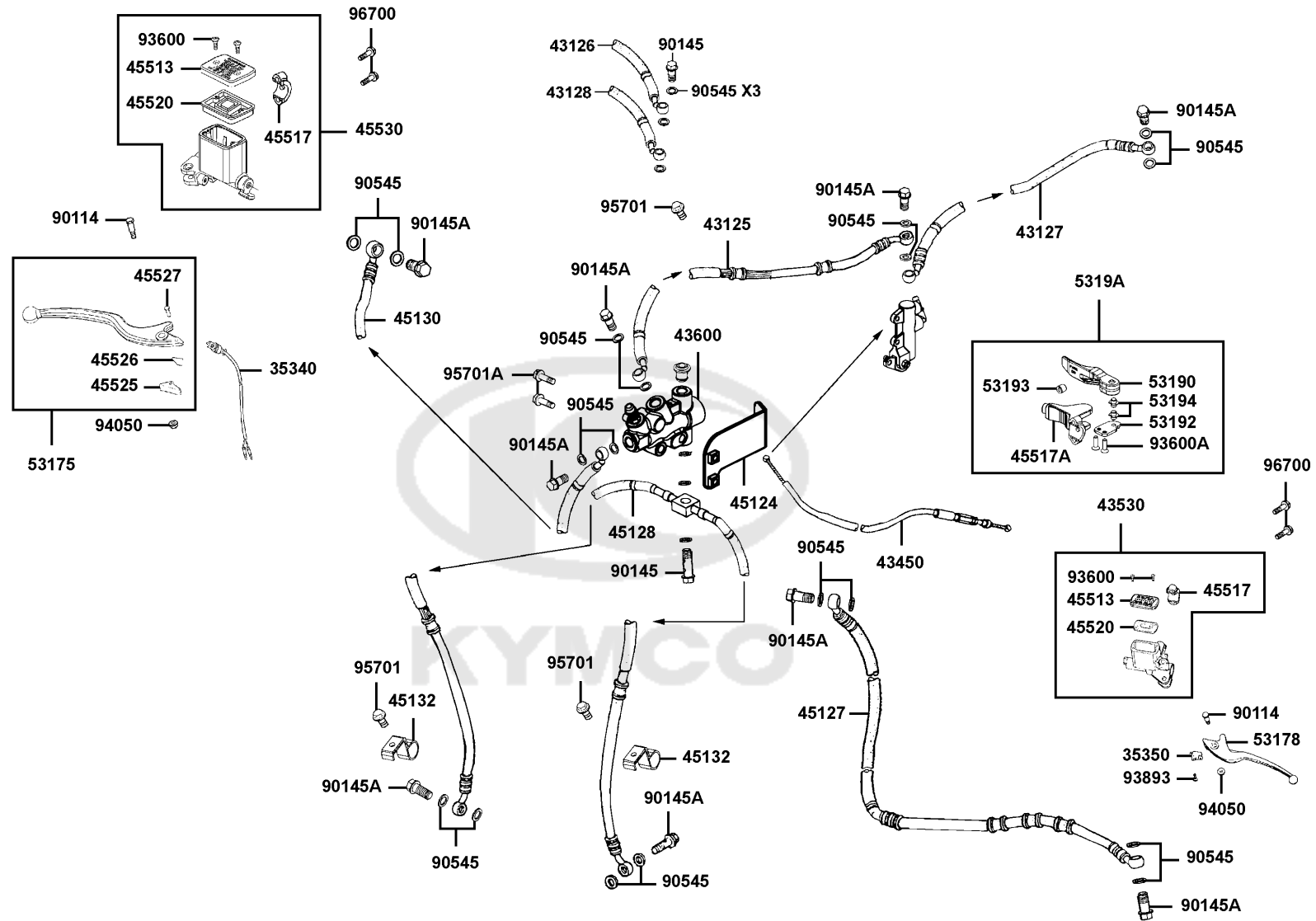
WASH PLAIN 8MM

2



F04

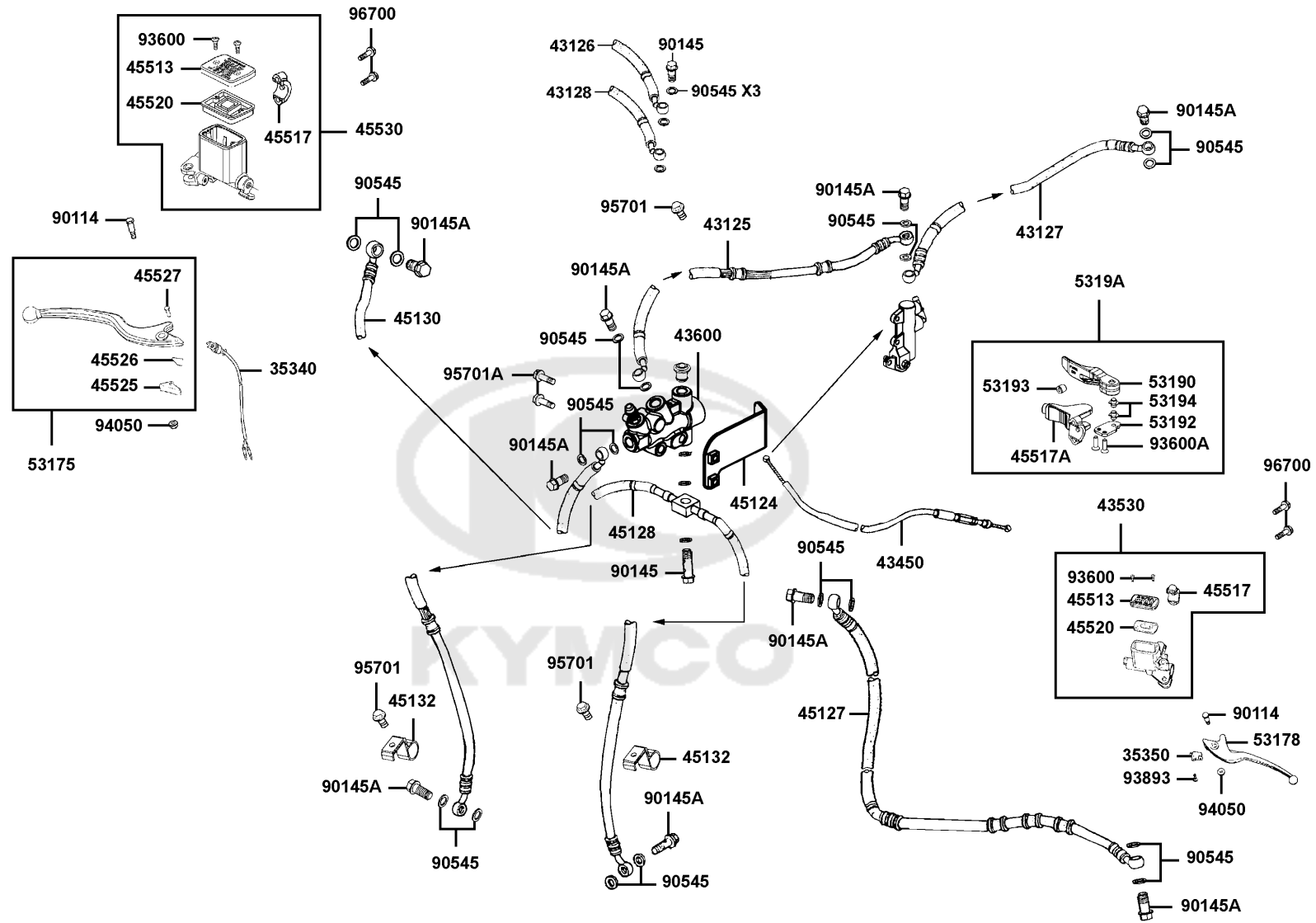
Master Cylinder



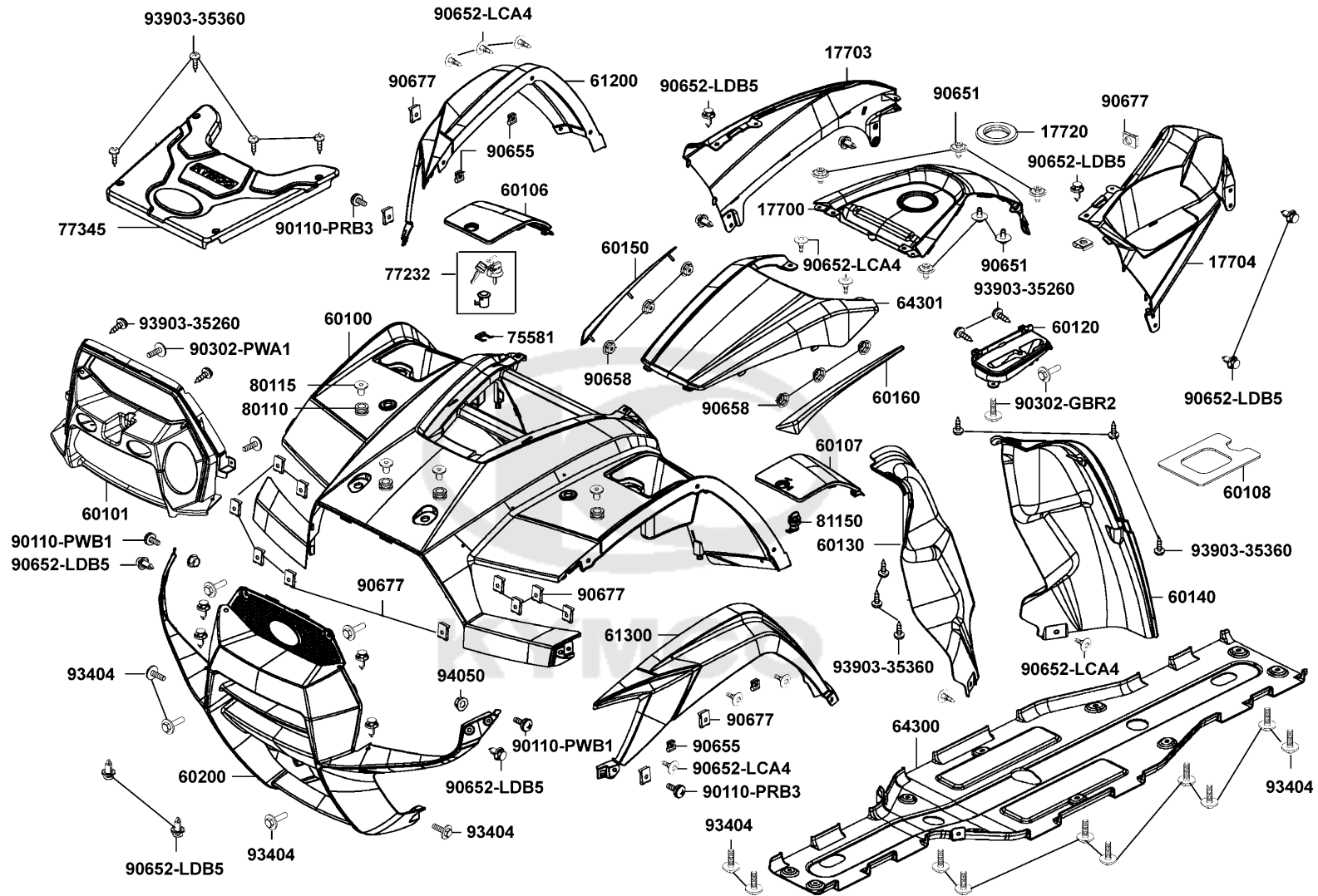
Sales mark	Ref no	Part no	Description	Reg description	Regd no	F04
35340		35340-LDB5-900	SW ASSY FR STOP	SW ASSY FR STOP	1	
35350		35350-KNBN-901	SW ASSY RR STOP	SW ASSY RR STOP	1	
43125		43125-LFE9-E00	HOSE ASSY BRAKE	HOSE ASSY BRAKE	1	
43126		43126-AEC8-E00	HOSE ASSY RR BRAKE R	HOSE ASSY RR BRAKE R	1	
43127		43127-AEC8-E00	HOSE ASSY. RR BEAKE (FOOT TO PGV)	HOSE ASSY. RR BEAKE (FOOT TO PGV)	1	
43128		43128-AEC8-E00	HOSE ASSY RR BRAKE L	HOSE ASSY RR BRAKE L	1	
43450		43450-AEC8-E00	CABLE PARKING BRAKE	CABLE PARKING BRAKE	1	
43530		43530-LFE9-306	MASTER CYLINDER ASSY RR	MASTER CYLINDER ASSY RR	1	
43600		43600-LDB5-E00	PGV ASSY	PGV ASSY	1	
45124		45124-LFE9-E00	STAY PGV	STAY PGV	1	
45127		45127-AEC8-E00	HOSE ASSY RR BRAKE	HOSE ASSY RR BRAKE	1	
45128		45128-ALC1-E00	HOSE ASSY FR BRAKE JUNCTION	HOSE ASSY FR BRAKE JUNCTION	1	
45130		45130-ALC1-E00	HOSE ASSY FR BRAKE-RH	HOSE ASSY FR BRAKE-RH	1	
45132		45132-LBA7-900	CLAMPER FR BRAKE HOSE	CLAMPER FR BRAKE HOSE	2	
45513		45513-KKC4-900	CAP M/C	CAP M/C	2	
45517		45517-KFAF-910	HOLDER M/C	HOLDER M/C	2	
45517A		45517-PRB3-900	BRACKET PARK BRK	BRACKET PARK BRK	1	
45520		45520-KKC4-900	DIAPHRAGM	DIAPHRAGM	2	
45525		45525-LBA7-900	STOPPER	STOPPER	1	
45526		45526-LBA7-900	SPRING	SPRING	1	

F04

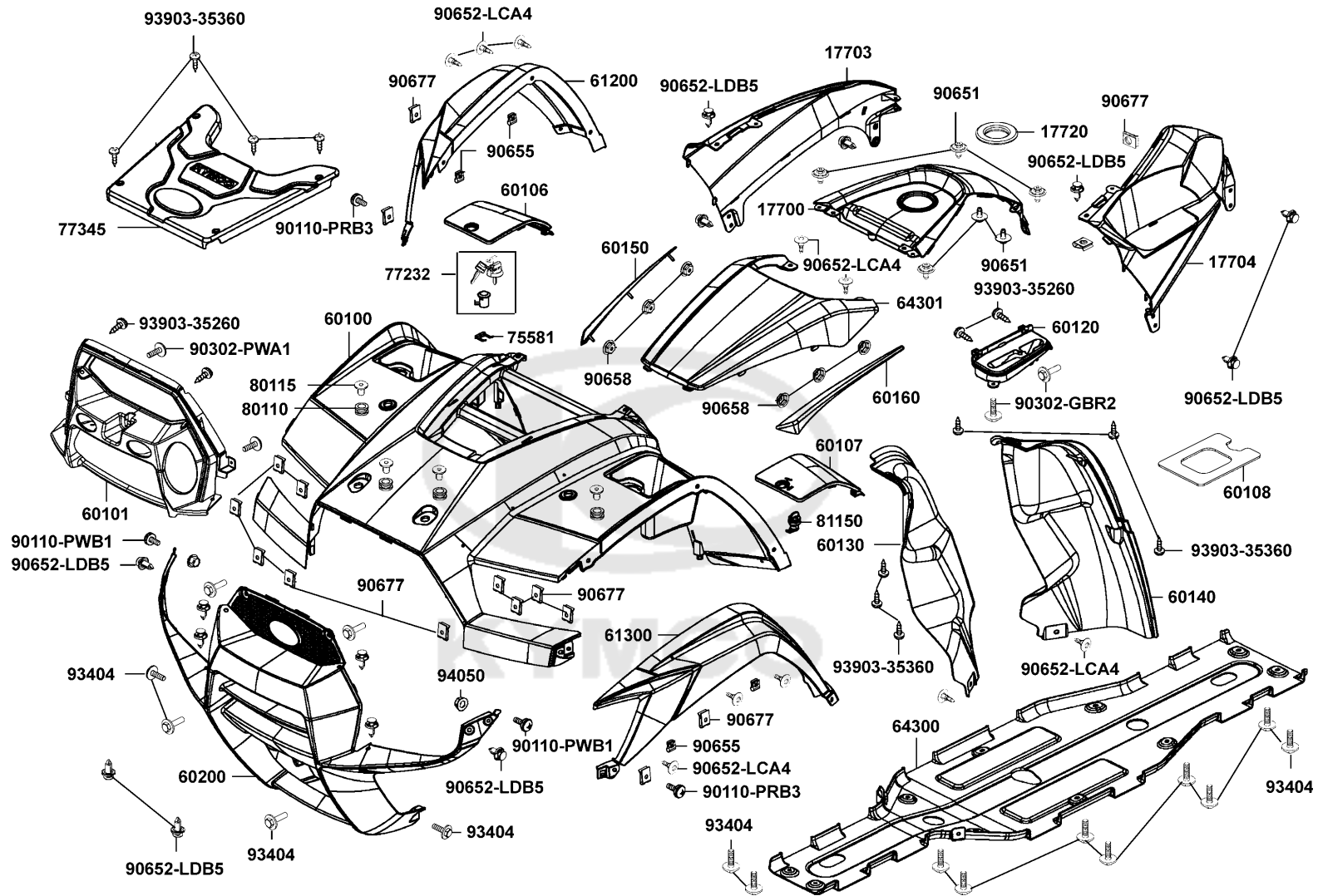
Master Cylinder



Sales mark	Ref no	Part no	Description	Reg description	Regd no	F04
	45527	45527-LBA7-900	PIN PARK	PIN PARK	1	
	45530	45530-LDB5-306	CYLINDER SET FR	CYLINDER SET FR	1	
**	53175	53175-LDB5-305	LEVER SET BRK	LEVER SET BRK	1	
**	53178	53178-KEBE-900	LEVER L STRG HNDL	LEVER L STRG HNDL	1	
	53190	53190-ALC1-E00	LEVER	LEVER	1	
	53192	53192-PRB3-900	STAY	STAY	1	
	53193	53193-PRB3-900	STOPPER	STOPPER	1	
	53194	53194-PRB3-900	PIVOT	PIVOT	2	
	5319A	5319A-ALC1-E00	BRAKE ASSY PARKING	BRAKE ASSY PARKING	1	
	90114	90114-1F66-007	BOLT HANDLE LEVER	BOLT HANDLE LEVER	2	
	90145	90145-LBA2-E00	OIL BOLT 10*33	OIL BOLT 10*33	2	
	90145A	90145-LEA3-E00	OIL BOLT 10*22	OIL BOLT 10*22	1	
	90545	90545-3L00-001	WASHER OIL BOLT	WASHER OIL BOLT	24	
	93600	93600-04012-1G	SCREW FLAT 4*12	SCREW FLAT 4*12	4	
	93600A	93600-PRB3-900	SCREW 6X12	SCREW 6X12	2	
	93893	93893-04012-18	SCREW WASHER 4*12	SCREW WASHER 4*12	1	
	94050	94050-06060	NUT FLANGE 6MM	NUT FLANGE 6MM	2	
	95701	95701-06012-06	BOLT FLANGE 6*12 **07 C.2005.07.01	BOLT FLANGE 6X12	2	
	95701A	95701-06040-06	BOLT FLANGE 6*40	BOLT FLANGE 6*40	2	
	96700	96700-06020-06	SOCKET BOLT 6X20	SOCKET BOLT 6X20	4	



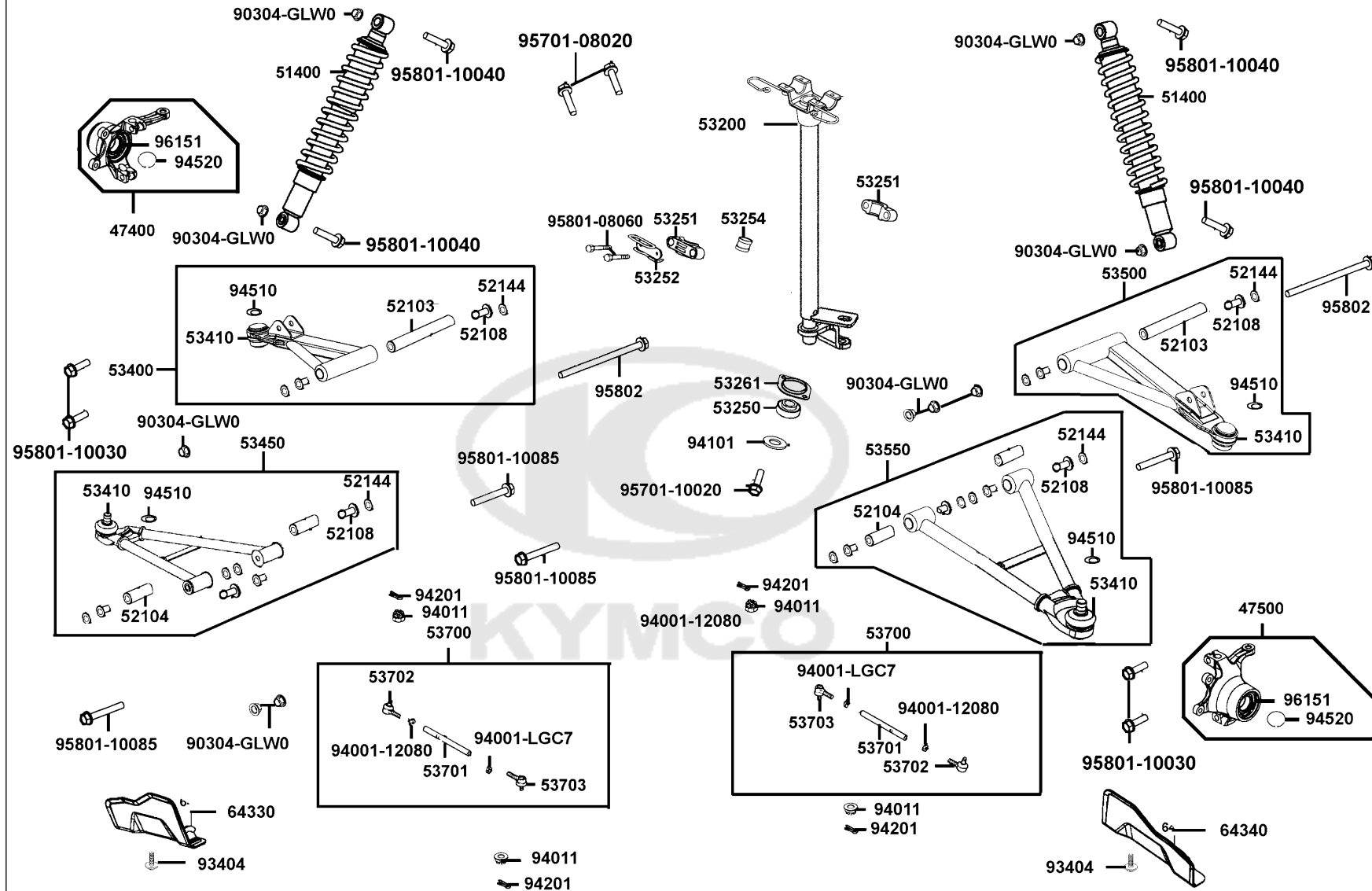
Sales mark	Ref no	Part no	Description	Reg description	Regd no	F05
**	17700	17700-ALC1-E00	COVER TANK BLACK	COVER TANK BLACK	1	
**	17703	17703-ALC1-E00	TANK COVER R SIDE WHITE	TANK COVER R SIDE WHITE	1	
**	17704	17704-ALC1-E00	TANK COVER L SIDE WHITE	TANK COVER L SIDE WHITE	1	
	17720	17720-LBA7-900	TRAY TANK COVER	TRAY TANK COVER	1	
**	60100	60100-ALC1-E00	FENDER FRONT WHITE	FENDER FRONT WHITE	1	
**	60101	60101-ALC1-600	PANEL TRIM FR FENDER BLACK	PANEL TRIM FR FENDER BLACK	1	
**	60106	60106-ALC1-E00	LID R TOOL BOX WHITE	LID R TOOL BOX WHITE	1	
**	60107	60107-ALC1-E00	LID L TOOL BOX WHITE	LID L TOOL BOX WHITE	1	
	60108	60108-ALC1-E00	SEAL LID	SEAL LID	1	
**	60120	60120-ALC1-E00	GUIDE COVER CHANGE HANDLE	GUIDE COVER CHANGE HANDLE	1	
**	60130	60130-LFE9-E01	PROTECTOR R	PROTECTOR R	1	
**	60140	60140-LFE9-E01	PROTECTOR L	PROTECTOR L	1	
**	60150	60150-ALC1-600	PANEL R TRIM	PANEL R TRIM	1	
**	60160	60160-ALC1-600	PANEL L RIM	PANEL L RIM	1	
**	60200	60200-ALC1-E00	MUDGUARD FRONT BLACK	MUDGUARD FRONT BLACK	1	
**	61200	61200-ALC1-E00	MUDGUARD R FR SIDE	MUDGUARD R FR SIDE	1	
**	61300	61300-ALC1-E00	MUDGUARD L FR SIDE	MUDGUARD L FR SIDE	1	
**	64300	64300-LFE9-E01	PLATE SKID	PLATE SKID	1	
**	64301	64301-ALC1-E00	COVER FRONT	COVER FRONT	1	
	75581	75581-6C73-001	SET SPG LOCK KEY	SET SPG LOCK KEY	1	



Sales mark	Ref no	Part no	Description	Reg description	Regd no	F05
	77232	77232-GLW0-318-M2	LOCK SET FUEL LID	LOCK SET FUEL LID	1	
**	77345	77345-ALC1-E00	PLATE FR CARRIER RACK	PLATE FR CARRIER RACK	1	
	80110	80110-LDB5-900	RUBBER FENDER **(0) C.2006.09.07	RUBBER FENDER **(0) C.2006.09.07	2	
	80115	80115-LDB5-900	COLLAR FENDER	COLLAR FENDER	2	
	81150	81150-LEA7-E00	LOCKLESS ASSY	LOCKLESS ASSY	1	
	90110-PRB3	90110-PRB3-900	SCREW SPECUAL 5x16	SCREW SPECUAL 5x16	2	
	90110-PWB1	90110-PWB1-900	SCREW SPECIAL 6X20	SCREW SPECIAL 6X20	2	
	90302-GBR2	90302-GBR2-001	BOLT WASH 5*16	BOLT WASH 5*16	2	
	90302-PWA1	90302-PWA1-900	BOLT-WASH 5*16	BOLT-WASH 5*16	2	
	90651	90651-LCA5-E00	CLIP FENDER	CLIP FENDER	6	
	90652-LCA4	90652-LCA4-E00	CLIP MUDGUARD	CLIP MUDGUARD	10	
	90652-LDB5	90652-LDB5-900	CLIP MUDGUARD	CLIP MUDGUARD	14	
	90655	90655-PWA2-900	CLIP FENDER MOUNTING	CLIP FENDER MOUNTING	4	
	90658	90658-PWA2-900	NUT STAMPED	NUT STAMPED	6	
	90677	90677-GAR1-004	NUT CLIP 5MM	NUT CLIP 5MM	16	
	93404	93404-06016-06	BOLT WASHER 6*16	BOLT WASHER 6*16	16	
	93903-35260	93903-35260	SCREW TAPPING 5*12	SCREW TAPPING 5*12	4	
	93903-35360	93903-35360	SCREW TAPPING 5*16	SCREW TAPPING 5*16	10	
	94050	94050-LDE9-E00	NUT LOCK	NUT LOCK	2	

F06

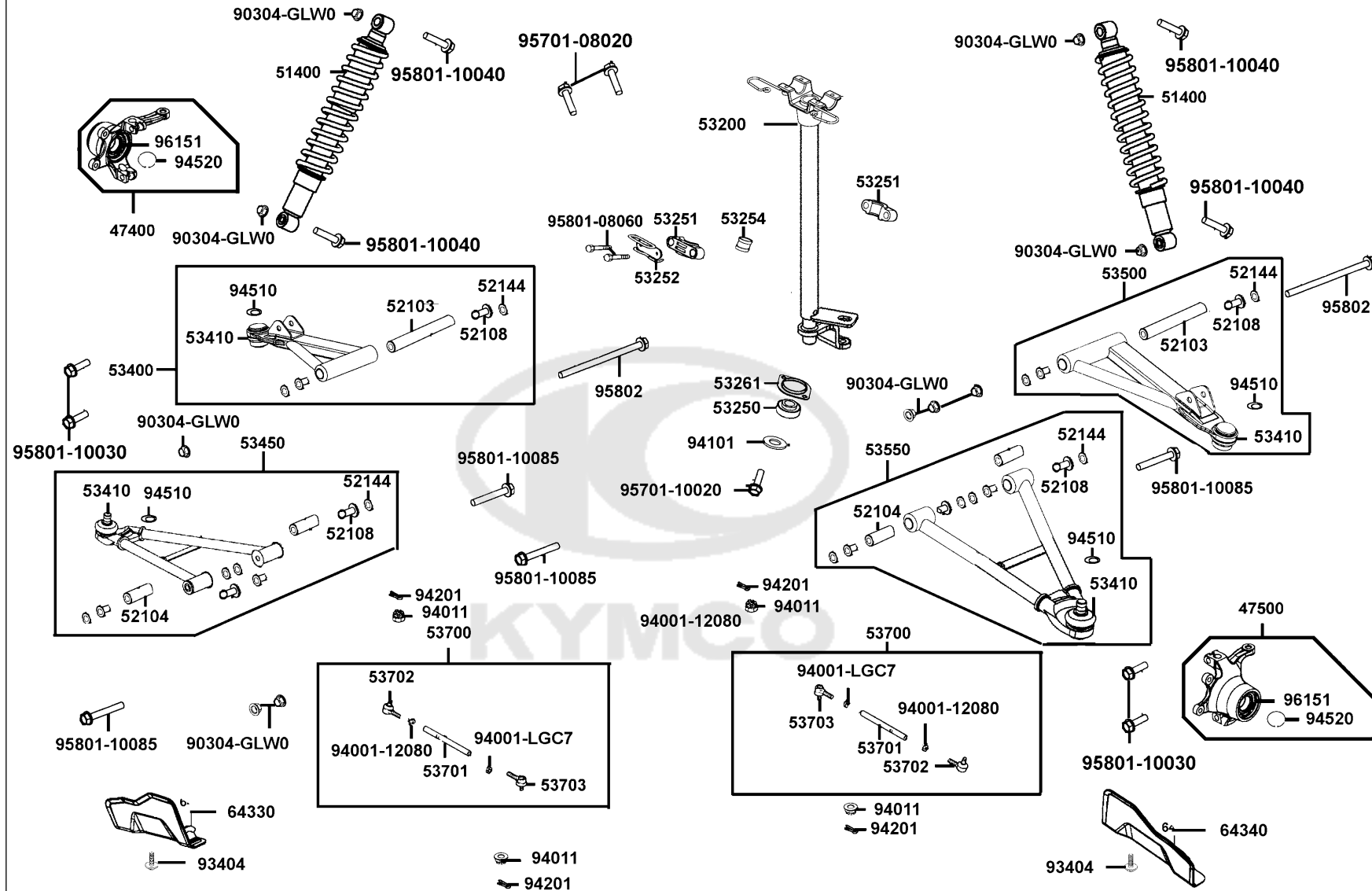
Stem Steering



Sales mark	Ref no	Part no	Description	Reg description	Regd no	F06
	47400	47400-PWB1-900	KNUCKLE STEERING-RH ASSEMBLY	KNUCKLE STEERING-RH ASSEMBLY	1	
	47500	47500-PWB1-900	KNUCKLE STEERING-LH ASSEMBLY	KNUCKLE STEERING-LH ASSEMBLY	1	
**	51400	51400-ALC1-E00	CUSHION ASSY FR (BLACK)	CUSHION ASSY FR (BLACK)	2	
	52103	52103-ALC1-E00	SLEEVE SUSPENSION	SLEEVE SUSPENSION	2	
	52104	52104-PWB1-900	SLEEVE SUSPENSION	SLEEVE SUSPENSION	4	
	52108	52108-PWB1-900	BUSHING SUSPENSION	BUSHING SUSPENSION	12	
	52144	52144-PWB1-900	SEAL SUSPENSION	SEAL SUSPENSION	12	
	53200	53200-ALC1-E00	POST STEERING	POST STEERING	1	
	53250	53250-PWB1-900	BEARING STEERING-LOW SPEED	BEARING STEERING-LOW SPEED	1	
	53251	53251-LCA5-E00	HOLDER STEM STEERING	HOLDER STEM STEERING	2	
	53252	53252-LBA7-900	CLAMPER STEM HOLDER	CLAMPER STEM HOLDER	1	
	53254	53254-LBA7-900	SLEEVE STEM	SLEEVE STEM	1	
	53261	53261-PWB1-900	FLANGE BEARING-TWO MTG HOLE	FLANGE BEARING-TWO MTG HOLE	1	
**	53400	53400-ALC1-E01	A-ARM ASSY FRONT UPPER R	A-ARM ASSY FRONT UPPER R	1	
	53410	53410-PRB1-900	BALL JOINT ASSY	BALL JOINT ASSY	1	
**	53450	53450-ALC1-E01	A-ARM ASSY FRONT LOWER R	A-ARM ASSY FRONT LOWER R	1	
**	53500	53500-ALC1-E01	A-ARM ASSY FRONT UPPER L	A-ARM ASSY FRONT UPPER L	1	
**	53550	53550-ALC1-E01	A-ARM ASSY FRONT LOWER L	A-ARM ASSY FRONT LOWER L	1	
	53700	53700-ALC1-E00	TIE ROD ASSY	TIE ROD ASSY	2	
	53701	53701-ALC1-E00	TIE ROD	TIE ROD	2	

F06

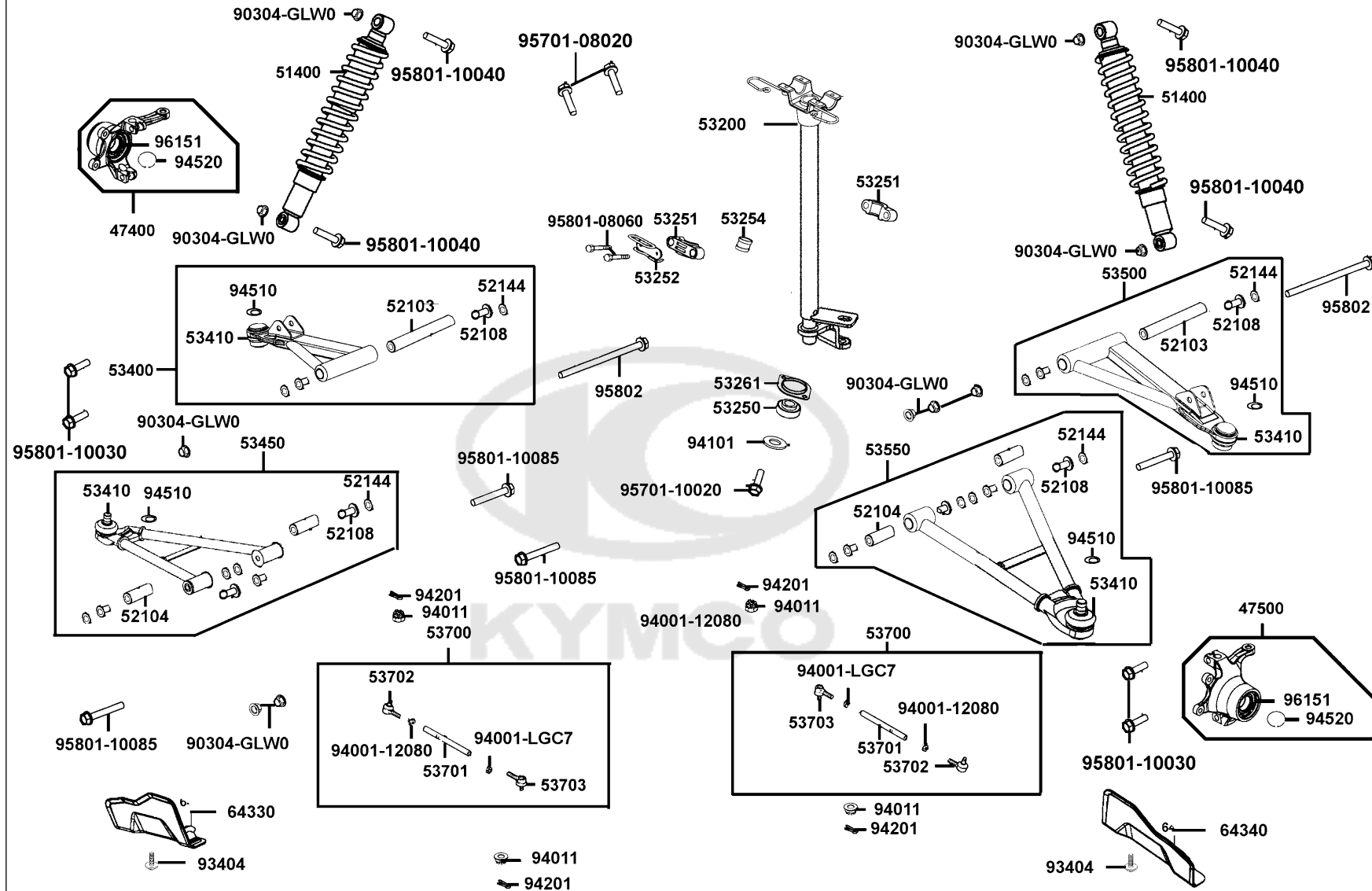
Stem Steering



Sales mark	Ref no	Part no	Description	Reg description	Regd no	F06
	53702	53702-ALC1-E00	JOINT R BALL	JOINT R BALL	2	
	53703	53703-ALC1-E00	JOINT L BALL	JOINT L BALL	2	
**	64330	64330-LFE9-E01	GUARD R BOOT	GUARD R BOOT	1	
**	64340	64340-LFE9-E01	GUARD L BOOT	GUARD L BOOT	1	
	90304-GLW0	90304-GLW0-90A	NUT U FLANGE 10MM	NUT U FLANGE 10MM	10	
	93404	93404-06016-06	BOLT WASHER 6*16	BOLT WASHER 6*16	2	
	94001-12080	94001-12080	NUT HEX 12MM	NUT HEX 12MM	2	
	94001-LGC7	94001-LGC7-E00	NUT HEX LH 12MM	NUT HEX LH 12MM	2	
	94011	94011-LKA8-E00	NUT CASTLE 10MM	NUT CASTLE 10MM	4	
	94101	94101-PWB1-900	WASHER FLAT	WASHER FLAT	1	
	94201	94201-25250	PIN SPLIT 2.5*25	PIN SPLIT 2.5*25	4	
	94510	94510-PWB1-900	CIRCLIP EX 29	CIRCLIP EX 29	4	
	94520	94520-55000	CIR CLIP IN 55	CIR CLIP IN 55	2	
	95701-08020	95701-08020-06	BOLT FLANGE 8*20MM **07 C.2005.07.01	BOLT FLANGE 8*20MM **07 C.2005.07.01	2	
	95701-10020	95701-10020-06	BOLT FLANGE 10*20	BOLT FLANGE 10*20	1	
	95801-08060	95801-08060-06	BOLT FLANGE 6*60	BOLT FLANGE 6*60	2	
	95801-10030	95801-10030-06	BOLT FLANGE 10X30	BOLT FLANGE 10X30	4	
	95801-10040	95801-10040-06	BOLT FLANGE 10X40	BOLT FLANGE 10X40	1	
	95801-10085	95801-10085-06	BOLT FLANGE 10*85	BOLT FLANGE 10*85	4	
	95802	95802-PWB1-900	SCREW, CAP-HFH M10x1.25	SCREW, CAP-HFH M10x1.25	2	

F06

Stem Steering



Sales mark	Ref no	Part no	Description	Reg description	Regd no	F06
------------	--------	---------	-------------	-----------------	---------	------------

96151

96151-PWB1-900

BEARING WHEEL

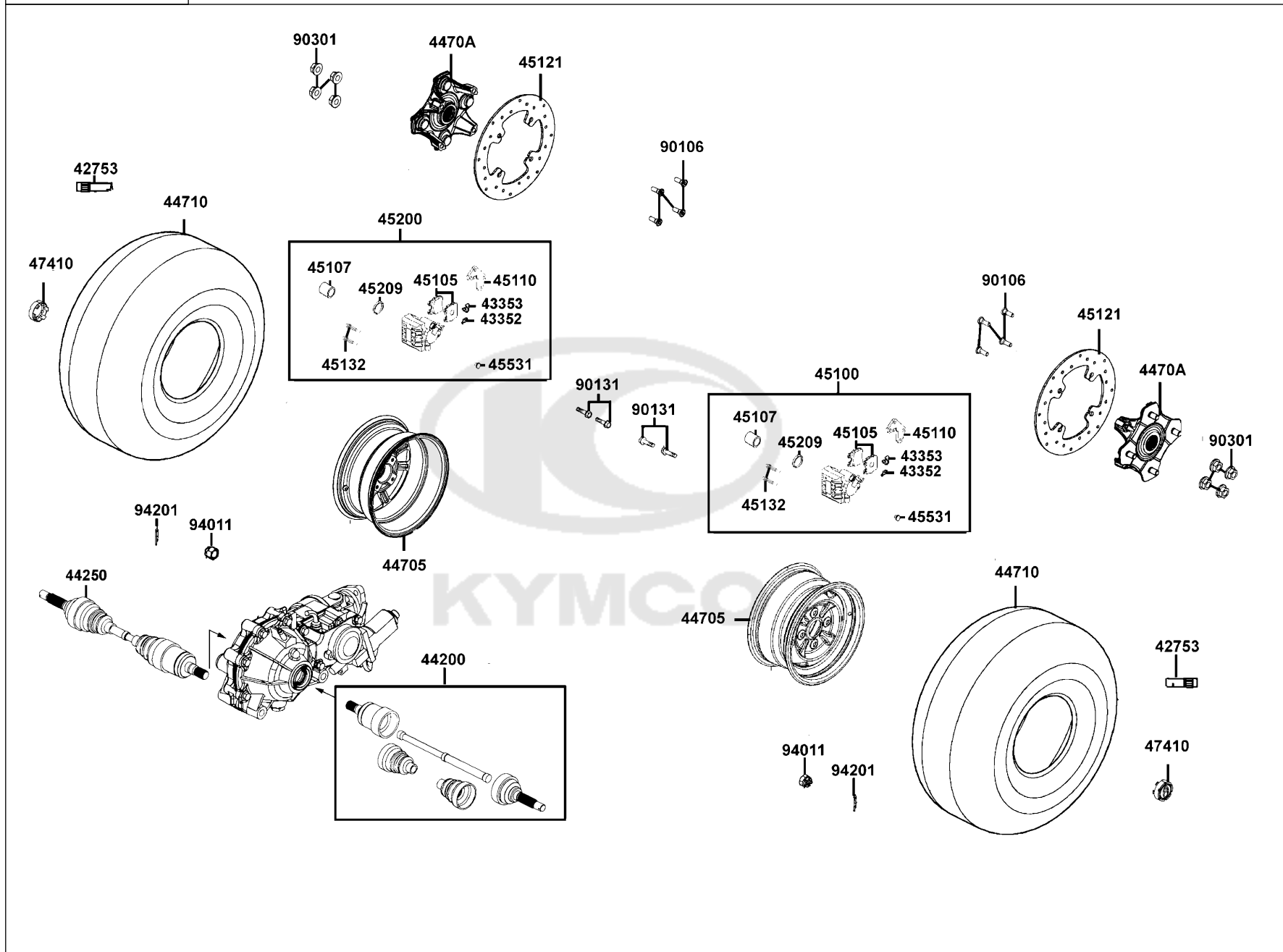
BEARING WHEEL

2



F07

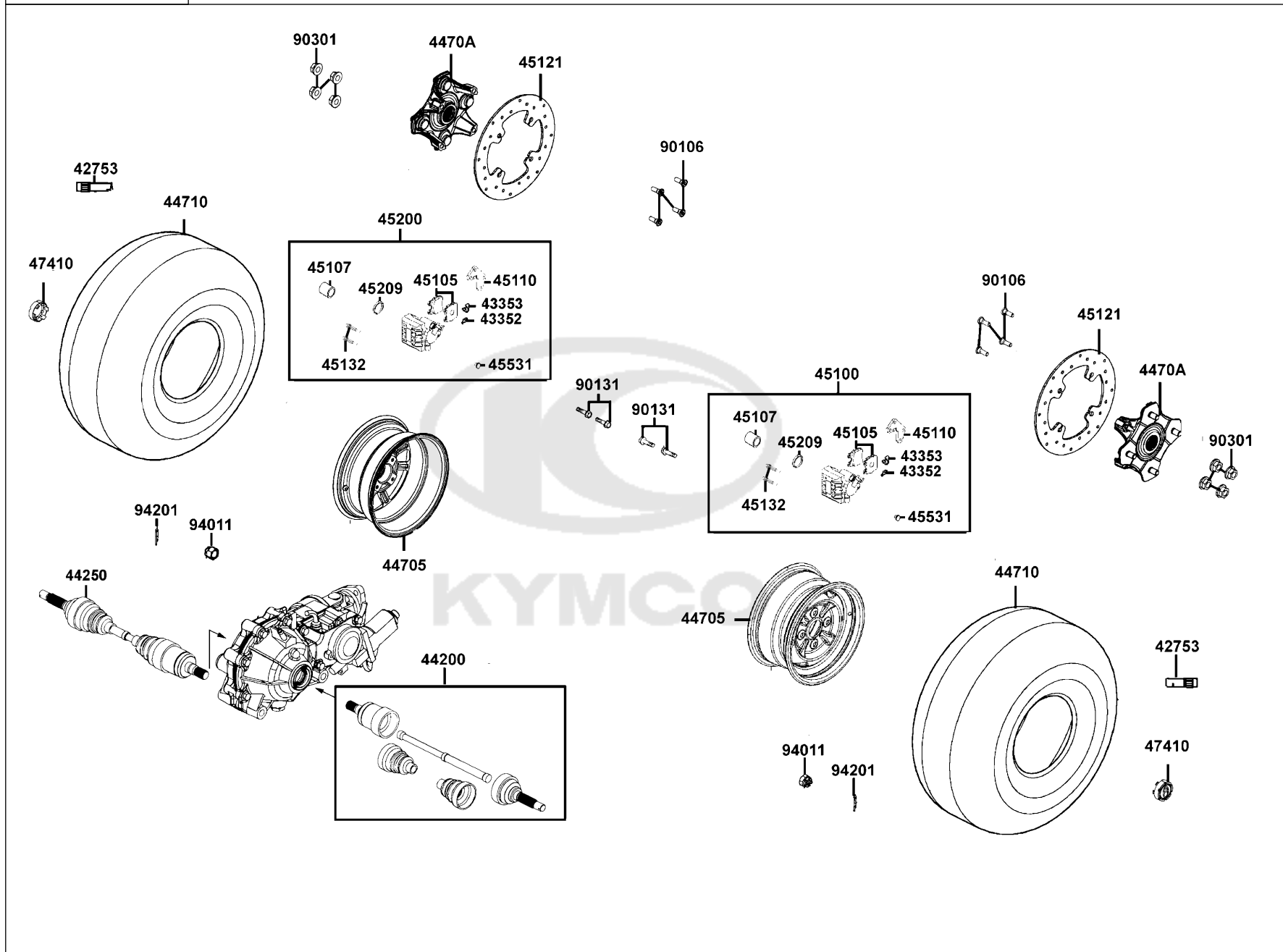
Front Wheel



Sales mark	Ref no	Part no	Description	Reg description	Regd no	F07
	42753	42753-KNBN-90B	VALAE RIM (TR412)	VALAE RIM (TR412)	2	
	43352	43352-KKD6-E90	SCREW BLEEDER	SCREW BLEEDER	2	
	43353	43353-4A61-77A	CAP BLEEDER	CAP BLEEDER	2	
	44200	44200-ALC1-E00	HALF SHAFT FRONT-RH	HALF SHAFT FRONT-RH	1	
	44250	44250-ALC1-E00	HALF SHAFT FRONT-LH	HALF SHAFT FRONT-LH	1	
**	44705	44705-LFE9-E00	RIM COMP FR WHEEL	RIM COMP FR WHEEL	2	
	4470A	4470A-LFA5-E01	HUB ASSEMBLY	HUB ASSEMBLY	2	
	44710	44710-LKM5-E0A	TIRE ASSY FR (AT 25*8-12)	TIRE ASSY FR (AT 25*8-12)	1	
	44710	44710-LKM5-E0B	TIRE ASSY FR AT25*8-12 6P TL	TIRE ASSY FR AT25*8-12 6P TL	1	
**	45100	45100-LFE9-E00	CALIPER ASSY FR BRK-RH	CALIPER ASSY FR BRK-RH	1	
	45105	45105-LFE9-305	PAD SET	PAD SET	2	
	45107	45107-LFE9-E00	PISTON	PISTON	2	
	45110	45110-LFE9-305	BRACKET	BRACKET	2	
	45121	45121-PWB1-900	DISK BRAKE	DISK BRAKE	2	
	45132	45132-LDH1-E00	BUSH BOOT PIN	BUSH BOOT PIN	4	
**	45200	45200-LFE9-E00	CALIPER ASSY FR BRK-LH	CALIPER ASSY FR BRK-LH	1	
	45209	45209-LFE9-E00	SEAL PISTON	SEAL PISTON	4	
	45531	45531-GAR1-951	PLUG	PLUG	2	
	47410	47410-LDB5-E00	CAP WHEEL SHAFT	CAP WHEEL SHAFT	2	
	90106	90106-PWB1-900	BOLT SHOULDER	BOLT SHOULDER	8	

F07

Front Wheel



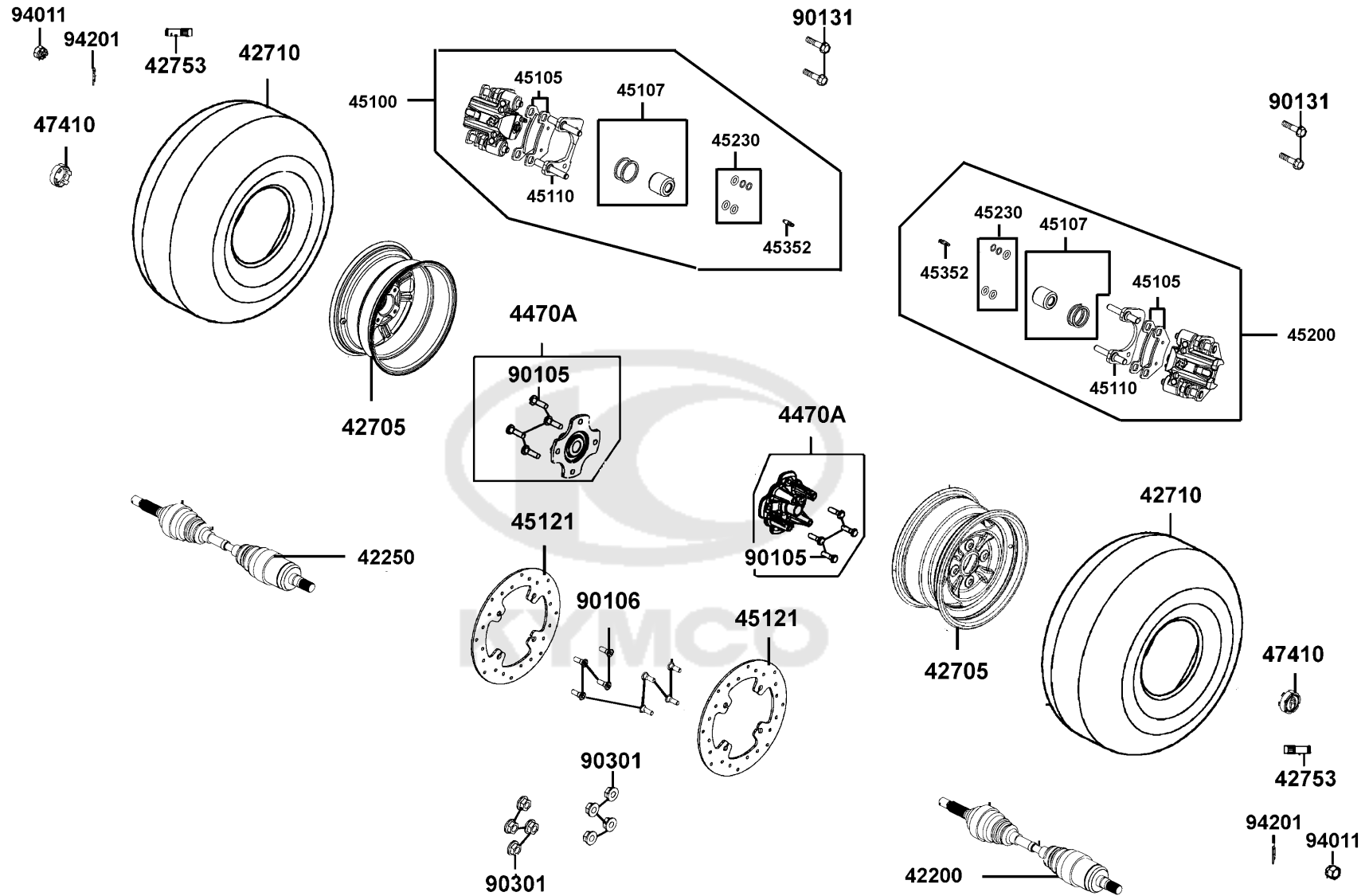
Sales mark	Ref no	Part no	Description	Reg description	Regd no	F07
------------	--------	---------	-------------	-----------------	---------	------------

90131		90131-PRB3-900	BOLT FLANGE 8X20	BOLT FLANGE 8X20	4	
90301		90301-LDB5-E00	NUT WHEEL	NUT WHEEL	8	
94011		94011-PWB1-900	NUT CASTLE FLANGE M22x1.5	NUT CASTLE FLANGE M22x1.5	2	
94201		94201-30400	PIN SPLIT 3*40	PIN SPLIT 3*40	2	



F08

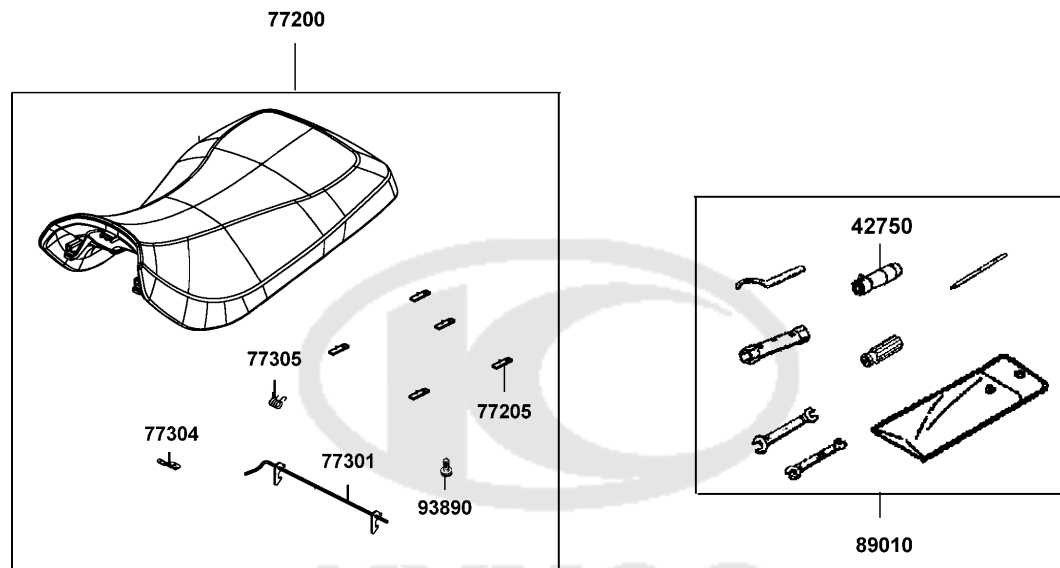
Rear Wheel



Sales mark	Ref no	Part no	Description	Reg description	Regd no	F08
	42200	42200-AEC8-E00	HALF SHAFT REAR-RH	HALF SHAFT REAR-RH	1	
	42250	42250-AEC8-E00	HALF SHAFT REAR-LH	HALF SHAFT REAR-LH	1	
**	42705	42705-LFE9-E00	RIM COMP RR WHEEL	RIM COMP RR WHEEL	1	
	42710	42710-LKM5-E0A	TIRE ASSY RR (AT25*10-12 6PR)	TIRE ASSY RR (AT25*10-12 6PR)	1	
	42710	42710-LKM5-E0B	TIRE ASSY RR AT25*10-12 6P TL	TIRE ASSY RR AT25*10-12 6P TL	1	
	42753	42753-KNBN-90B	VALAE RIM (TR412)	VALAE RIM (TR412)	2	
	4470A	4470A-LFA5-E01	HUB ASSEMBLY	HUB ASSEMBLY	2	
	45105	45105-PWB1-306	BRAKE PADS	BRAKE PADS	2	
	45107	45107-PWB1-305	PISTON AND SEALS	PISTON AND SEALS	2	
	45110	45110-PWB1-305	MOUNT BRACKET ASSEMBLS	MOUNT BRACKET ASSEMBLS	2	
	45121	45121-PWB1-900	DISK BRAKE	DISK BRAKE	2	
	45230	45230-PWB1-305	GUIDE O RINGS	GUIDE O RINGS	2	
	45352	45352-PWB1-305	BLEEDER	BLEEDER	2	
	47410	47410-LDB5-E00	CAP WHEEL SHAFT	CAP WHEEL SHAFT	2	
	90105	90105-LFA5-E01	STUD WHEEL MOUNTING	STUD WHEEL MOUNTING	8	
	90106	90106-PWB1-900	BOLT SHOULDER	BOLT SHOULDER	4	
	90131	90131-PRB3-900	BOLT FLANGE 8X20	BOLT FLANGE 8X20	4	
	90301	90301-LDB5-E00	NUT WHEEL	NUT WHEEL	8	
	94011	94011-PWB1-900	NUT CASTLE FLANGE M22x1.5	NUT CASTLE FLANGE M22x1.5	2	
	94201	94201-30400	PIN SPLIT 3*40	PIN SPLIT 3*40	2	

F09

Seat

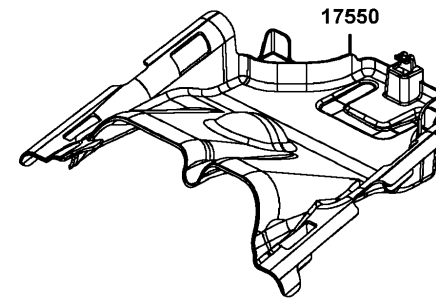
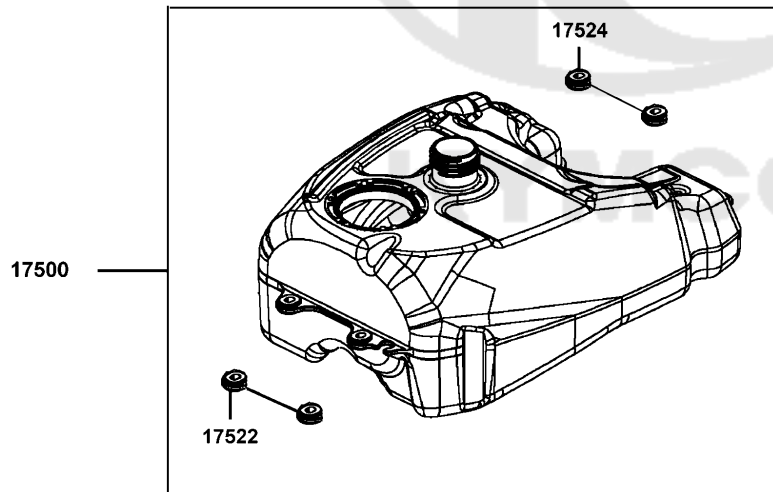
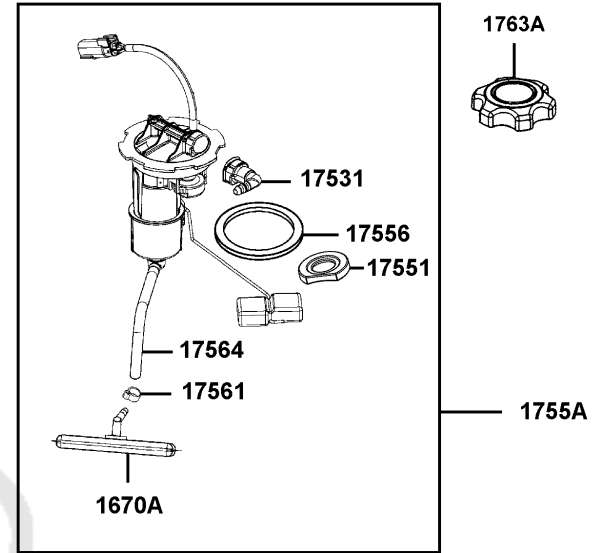
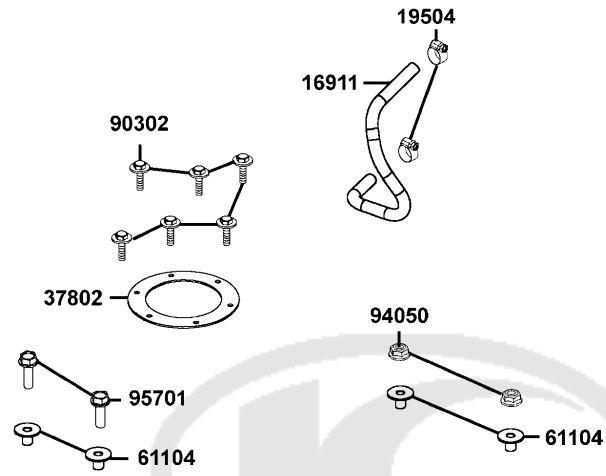


Sales mark	Ref no	Part no	Description	Reg description	Regd no	F09
	42750	42750-LDB1-700	GEAR AIR PRESSURE	GEAR AIR PRESSURE	1	
**	77200	77200-ALC1-E00	SEAT ASSY	SEAT ASSY	1	
	77205	77205-2F86-001	RUBBER B SEAT SETTING	RUBBER B SEAT SETTING	5	
	77301	77301-ALC1-E00	LOCK COMP SEAT	LOCK COMP SEAT	1	
	77304	77304-LDB5-E00	STAY HOOK	STAY HOOK	1	
	77305	77305-LDB5-E00	SPRING HOOK BAR	SPRING HOOK BAR	1	
	89010	89010-LFE9-E00	TOOL SET	TOOL SET	1	
	93890	93890-LDB5-E00	BOLT M4	BOLT M4	1	



F10

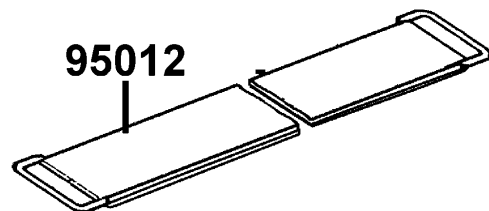
Fuel Tank



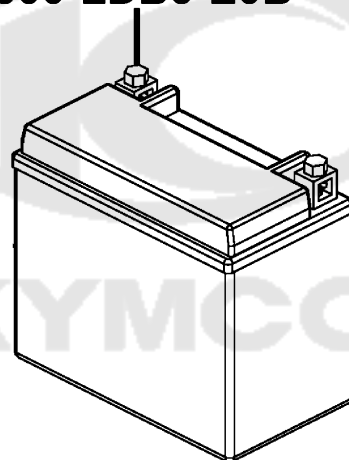
Sales mark	Ref no	Part no	Description	Reg description	Regd no	F10
	1670A	1670A-LKA8-E00	FILTER PUMP ASSY	FILTER PUMP ASSY	1	
	16911	16911-LKA8-E00	TUBE.FUEL	TUBE.FUEL	1	
	17500	17500-LKA8-E00	TANK COMP.. FUEL	TANK COMP.. FUEL	1	
	17522	17522-LLB1-900	RUBBER FUEL TANK	RUBBER FUEL TANK	2	
	17524	17524-LLB1-900	RR RUBBER FUEL TANK	RR RUBBER FUEL TANK	2	
	17531	17531-LGC7-E00	CONNECTOR FUEL PUMP-90 DEGREE	CONNECTOR FUEL PUMP-90 DEGREE	1	
**	17550	17550-ALC1-E00	GUARD FUEL TANK (black)	GUARD FUEL TANK (black)	1	
	17551	17551-PTA1-800	PUMP REGULATOR STAY	PUMP REGULATOR STAY	1	
	17556	17556-PTA1-800	FUEL PUMP SEAL	FUEL PUMP SEAL	1	
	1755A	1755A-LKA8-E00	FUEL PUMP ASSEMBLY	FUEL PUMP ASSEMBLY	1	
	17561	17561-LKB9-900	CLIP 12.5	CLIP 12.5	2	
	17564	17564-LKA8-E00	TUBE FILTER	TUBE FILTER	1	
	1763A	1763A-ALC1-M01	CAP ASSY FUEL FILLER	CAP ASSY FUEL FILLER	1	
	19504	19504-LBA2-E00	CLAMP D16.8	CLAMP D16.8	2	
	37802	37802-LGC3-E00	MOUNT FUEL PUMP	MOUNT FUEL PUMP	1	
	61104	61104-3G57-001	COLLAR FR FENDER	COLLAR FR FENDER	4	
	90302	90302-GFY6-940	BOLT-WASH 5*16	BOLT-WASH 5*16	6	
	94050	94050-06080	NUT FLANGE 6MM	NUT FLANGE 6MM	2	
	95701	95701-06022-06	BOLT FLANGE 6*22	BOLT FLANGE 6*22	2	

F11

Battery



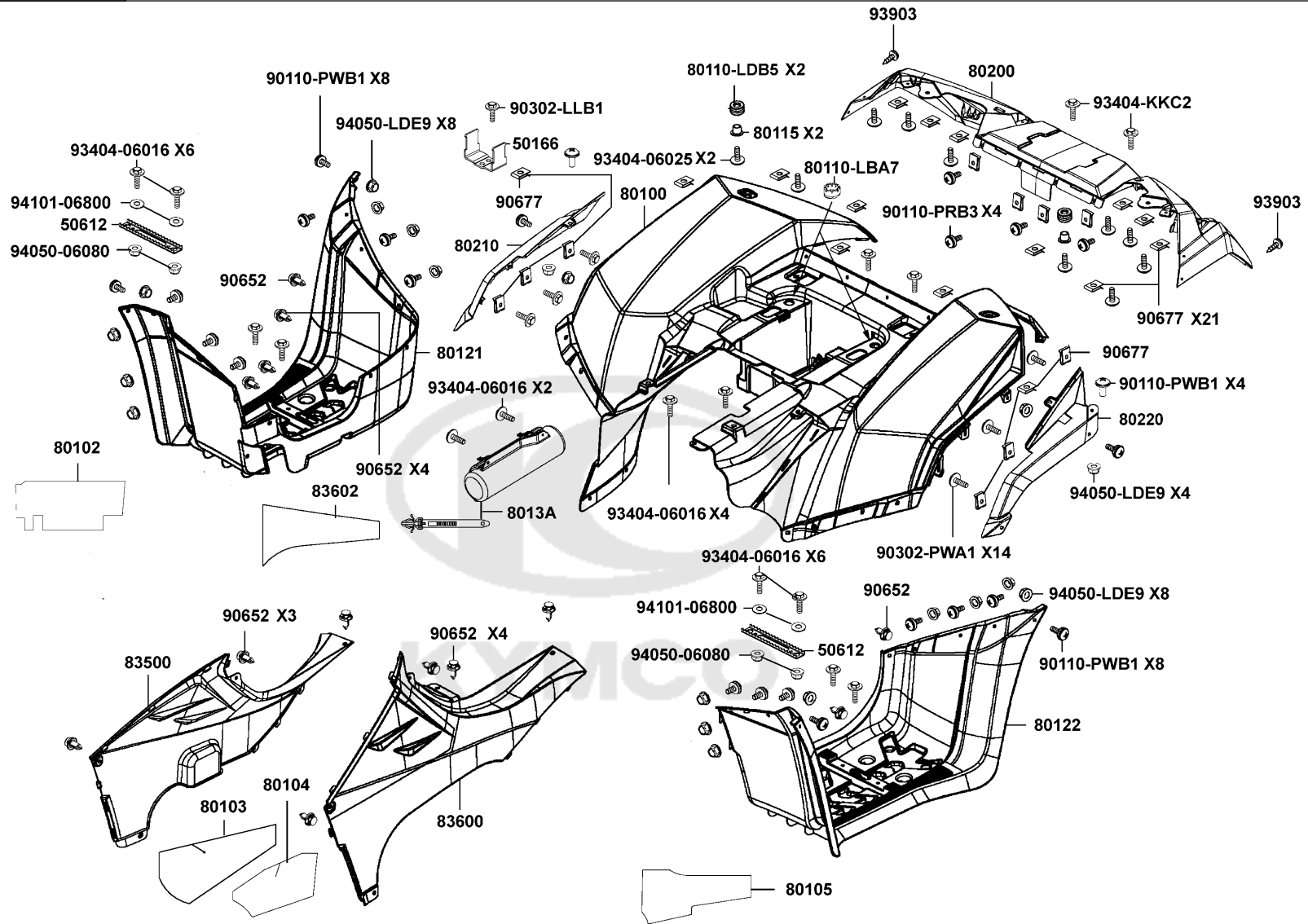
31500-LDB5-E0A
31500-LDB5-E0B



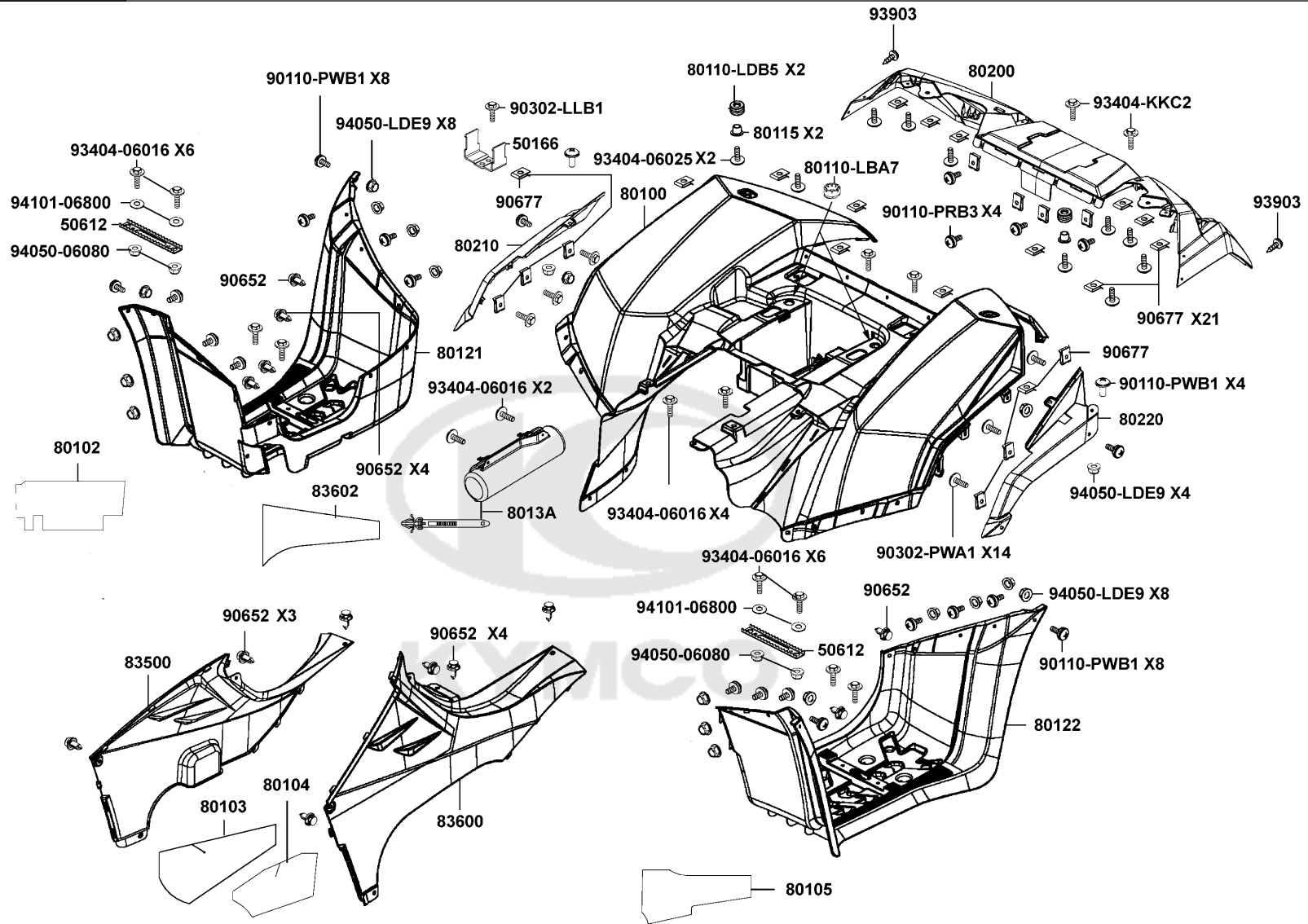
Sales mark	Ref no	Part no	Description	Reg description	Regd no	F11
------------	--------	---------	-------------	-----------------	---------	------------

	31500-LDB5-E0A	31500-LDB5-E0A	BATTERY YTX20L-BS	BATTERY YTX20L-BS	1	
	31500-LDB5-E0B	31500-LDB5-E0B	BATTERY GTX20L-BS	BATTERY GTX20L-BS	1	
	95012	95012-KKA7-900	TOOL BAND	TOOL BAND	1	

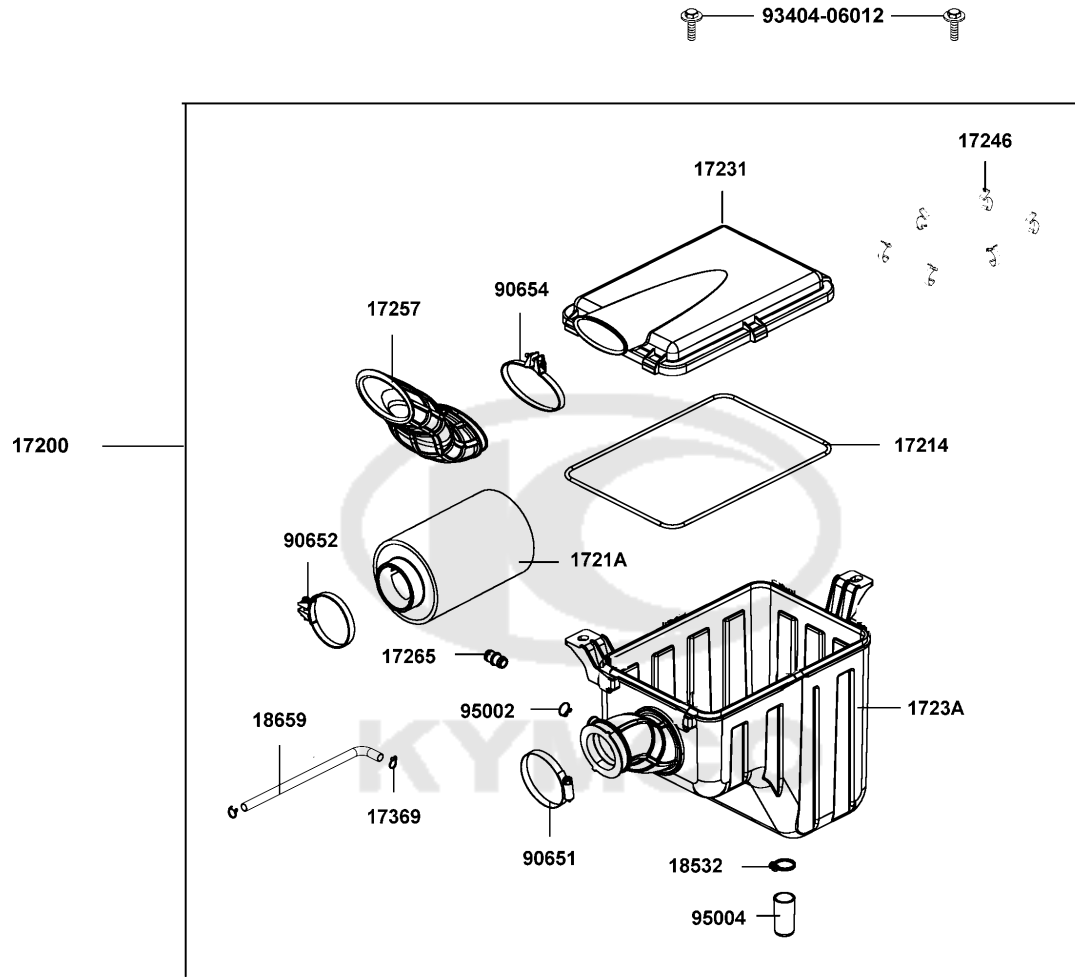




Sales mark	Ref no	Part no	Description	Reg description	Regd no	F12
	50166	50166-LLB1-900	BRKT START MAG SW	BRKT START MAG SW	1	
	50612	50612-LDB5-E00	RNFCT FLOOR	RNFCT FLOOR	2	
**	80100	80100-ALC1-E00	FENDER REAR WHITE	FENDER REAR WHITE	1	
	80102	80102-ALC1-E00	SHIELD LH	SHIELD LH	1	
	80103	80103-ALC1-E00	SHIELD LH	SHIELD LH	1	
	80104	80104-ALC1-E00	SHIELD LH LOWER	SHIELD LH LOWER	1	
	80105	80105-ALC1-E00	SHIELD LH UPPER	SHIELD LH UPPER	1	
	80110-LBA7	80110-LBA7-900	RUBBER REAR FENDER	RUBBER REAR FENDER	2	
	80110-LDB5	80110-LDB5-900	RUBBER FENDER **(0) C.2006.09.07	RUBBER FENDER **(0) C.2006.09.07	2	
	80115	80115-LDB5-900	COLLAR FENDER	COLLAR FENDER	2	
**	80121	80121-ALC1-E00	MUDGUARD R FLOOR	MUDGUARD R FLOOR	1	
**	80122	80122-ALC1-E00	MUDGUARD L FLOOR	MUDGUARD L FLOOR	1	
	8013A	8013A-LFE9-E00	BOX ASSY TOOL	BOX ASSY TOOL	1	
**	80200	80200-ALC1-E00	MUDGUARD REAR (BLACK)	MUDGUARD REAR (BLACK)	1	
**	80210	80210-ALC1-E00	MUDGUARD R RR SIDE	MUDGUARD R RR SIDE	1	
**	80220	80220-ALC1-E00	MUDGUARD L RR SIDE	MUDGUARD L RR SIDE	1	
**	83500	83500-ALC1-M00	COVER R SIDE	COVER R SIDE	1	
**	83600	83600-ALC1-M00	COVER L SIDE	COVER L SIDE	1	
	83602	83602-ALC1-E00	SHIELD LH	SHIELD LH	1	
	90110-PRB3	90110-PRB3-900	SCREW SPECUAL 5x16	SCREW SPECUAL 5x16	4	



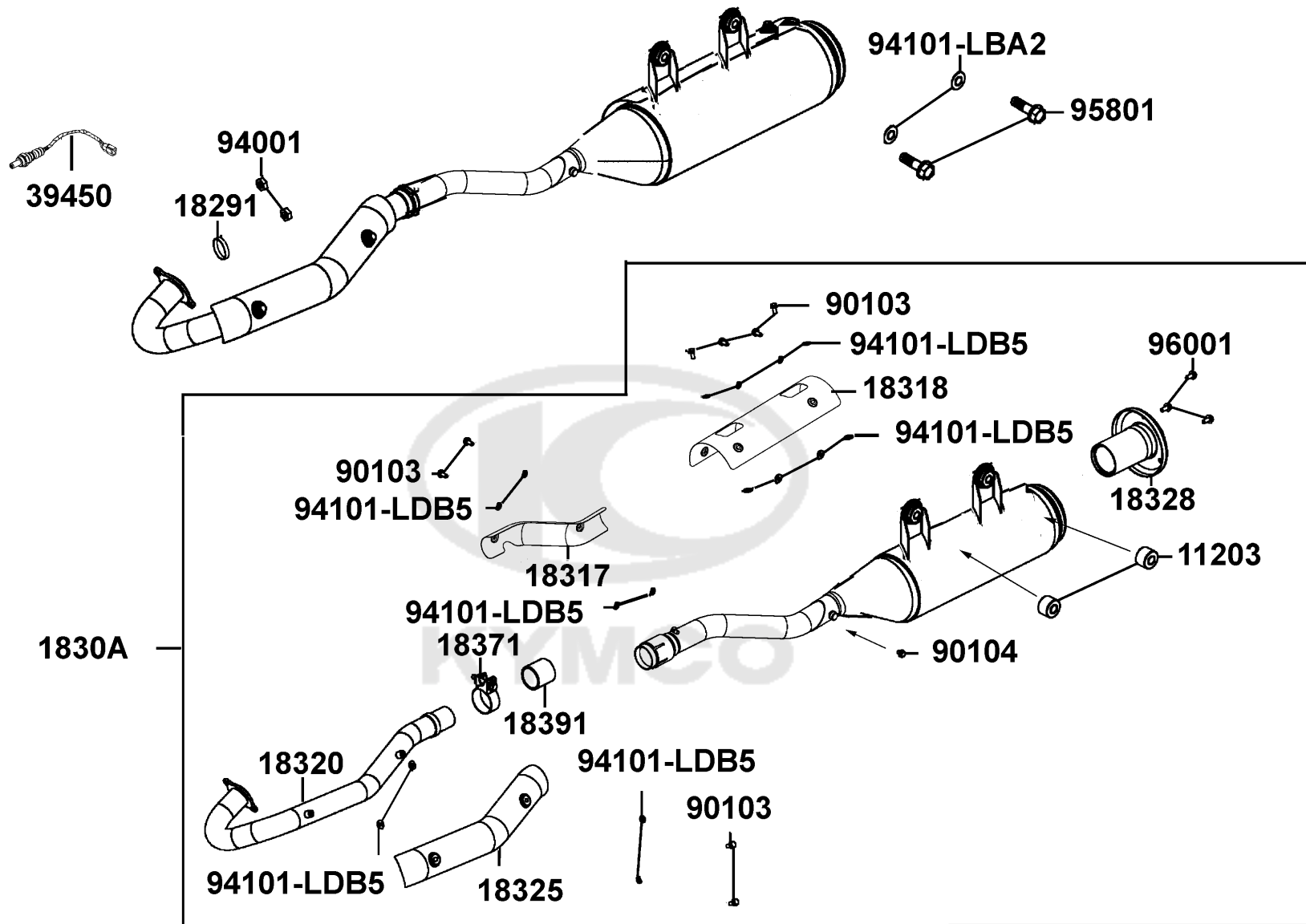
Sales mark	Ref no	Part no	Description	Reg description	Regd no	F12
	90110-PWB1	90110-PWB1-900	SCREW SPECIAL 6X20	SCREW SPECIAL 6X20	20	
	90302-LLB1	90302-LLB1-E00	BOLT-WASHER 5*12	BOLT-WASHER 5*12	1	
	90302-PWA1	90302-PWA1-900	BOLT-WASH 5*16	BOLT-WASH 5*16	14	
	90652	90652-LDB5-900	CLIP MUDGUARD	CLIP MUDGUARD	13	
	90677	90677-GAR1-004	NUT CLIP 5MM	NUT CLIP 5MM	25	
	93404-06016	93404-06016-06	BOLT WASHER 6*16	BOLT WASHER 6*16	18	
	93404-06025	93404-06025-06	BOLT WASHER 6*25	BOLT WASHER 6*25	2	
	93404-KKC2	93404-KKC2-900	BOLT WASH 6*16	BOLT WASH 6*16	2	
	93903	93903-34360	SCREW TAPPING 4X12	SCREW TAPPING 4X12	2	
	94050-06080	94050-06080	NUT FLANGE 6MM	NUT FLANGE 6MM	4	
	94050-LDE9	94050-LDE9-E00	NUT LOCK	NUT LOCK	20	
	94101-06800	94101-06800	WASHER PLAIN 6MM	WASHER PLAIN 6MM	4	



Sales mark	Ref no	Part no	Description	Reg description	Regd no	F13
17200		17200-ADC1-E00	AIR/C ASSY	AIR/C ASSY	1	
17214		17214-LDB5-E00	SEAL AIR/C CASE	SEAL AIR/C CASE	1	
1721A		1721A-LDB5-E00	ELEMENT COMP AIR/C	ELEMENT COMP AIR/C	1	
17231		17231-ADC1-E00	COVER AIR/C	COVER AIR/C	1	
1723A		1723A-ALC1-E00	CASE ASSY AIR/C	CASE ASSY AIR/C	1	
17246		17246-LBA7-900	CLAMP AIR/C	CLAMP AIR/C	6	
17257		17257-ALC1-E00	DUCT AIR/C CHAMBER	DUCT AIR/C CHAMBER	1	
17265		17265-LBA7-900	JOINT BLOW BY	JOINT BLOW BY	1	
17369		17369-KHC4-900	CLIP BREATHER TUBE	CLIP BREATHER TUBE	2	
18532		18532-6D34-671	CLIP AIR HOSE 21.5	CLIP AIR HOSE 21.5	1	
18659		18659-ALC1-E00	TUBE BREATHER	TUBE BREATHER	1	
90651		90651-LFE9-E00	BAND 66	BAND 66	1	
90652		90652-LLJ3-E00	BAND CONNECTING TUBE	BAND CONNECTING TUBE	1	
90654		90654-LDB5-E00	BAND 81 REAR CVT DUCT	BAND 81 REAR CVT DUCT	1	
93404-06012		93404-06012-06	BOLT WASHER 6*12 (G)	BOLT WASHER 6X12	2	
95002		95002-02150	CLIP B14.5 TUBE	CLIP B14.5 TUBE	1	
95004		95004-LBA7-900	TUBE DRAIN	TUBE DRAIN	1	

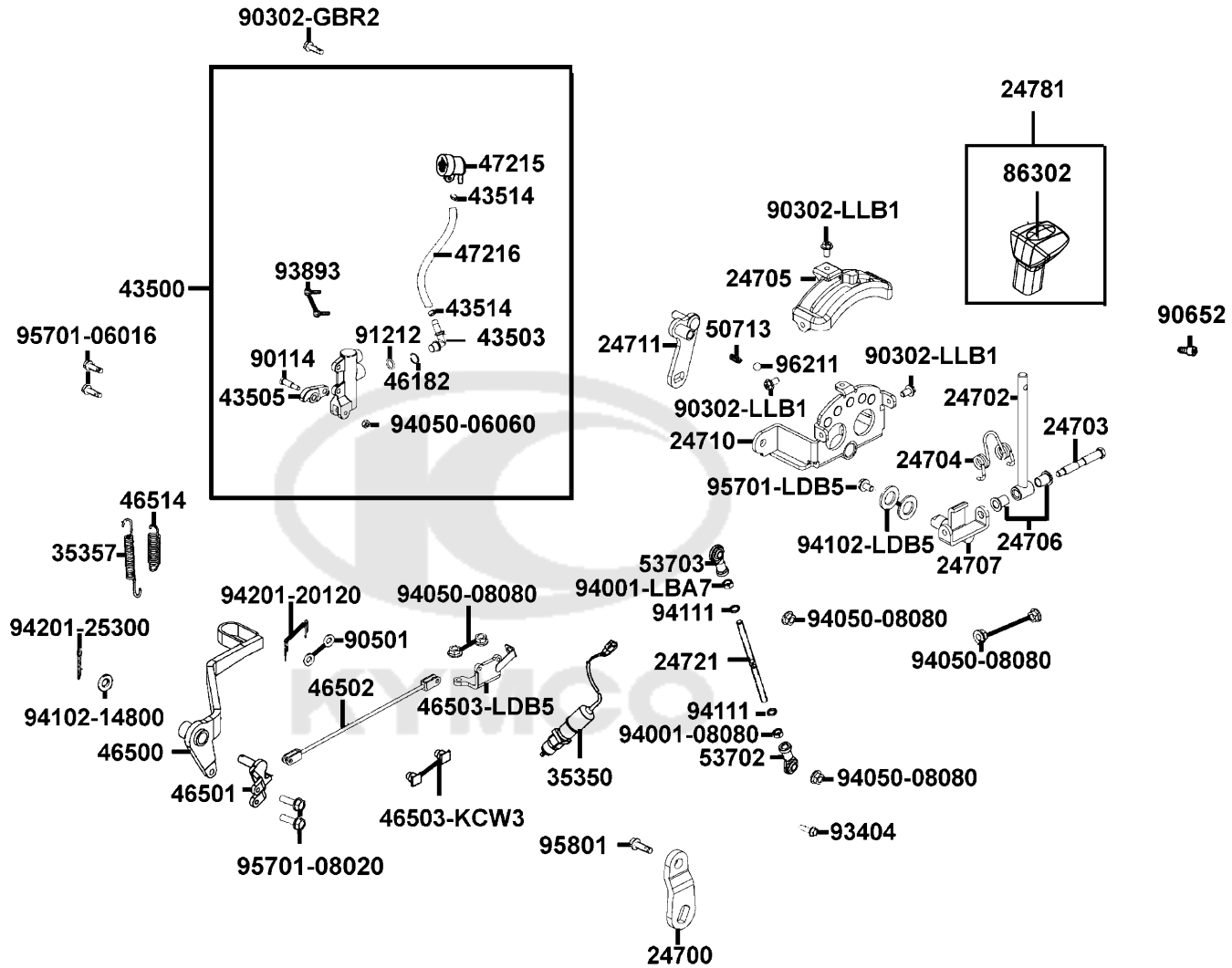
F14

Exhaust Muffler



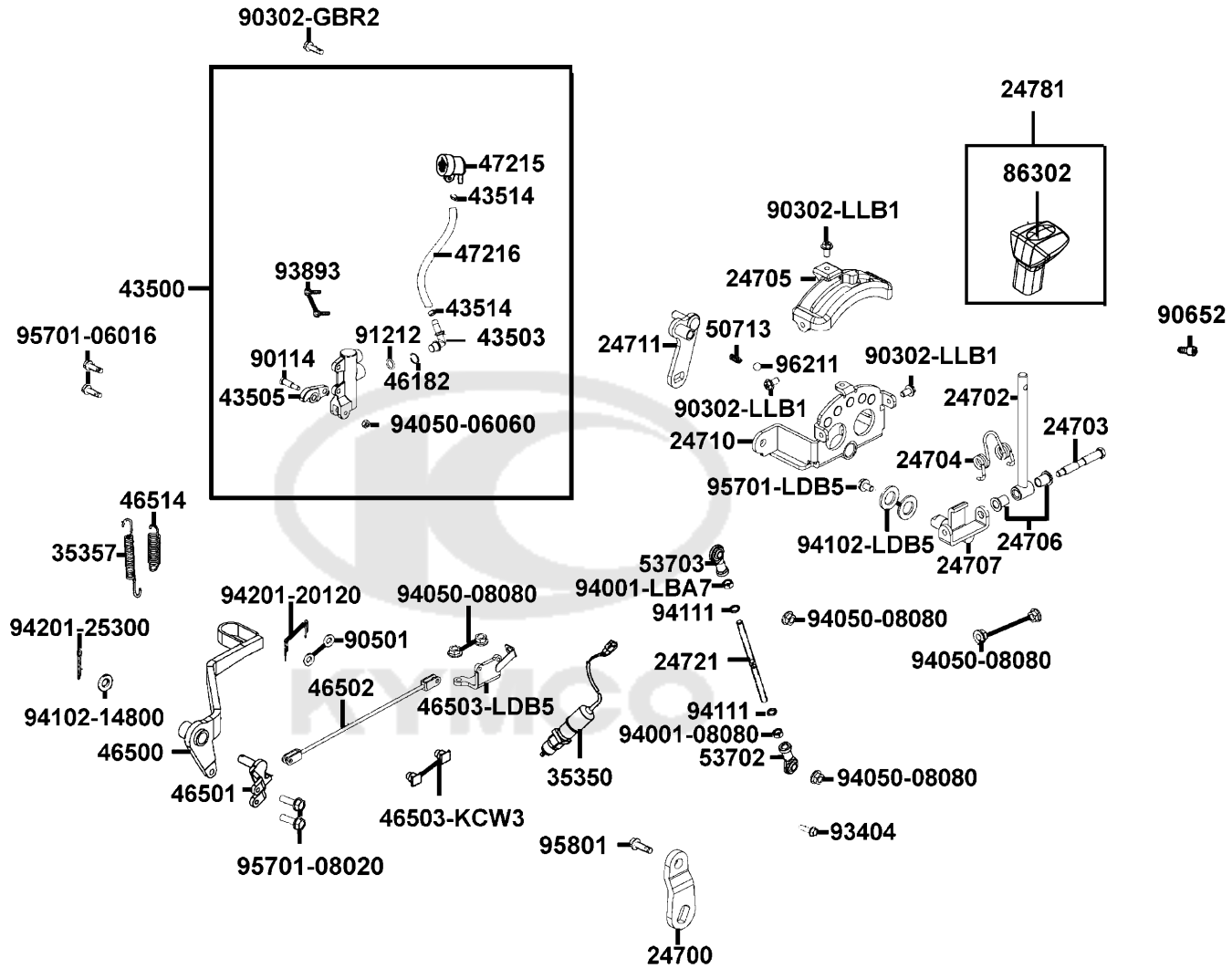
Sales mark	Ref no	Part no	Description	Reg description	Regd no	F14
11203		11203-LDB5-E00	BUSH MUFFLER STAY	BUSH MUFFLER STAY	2	
18291		18291-LKM5-E00	GASKET EXH. PIPE	GASKET EXH. PIPE	1	
1830A		1830A-AEF2-E00	MUFFLER ASSY EXH	MUFFLER ASSY EXH	1	
18317		18317-ALC1-E00	PROTECTOR A COMP MUFFLER	PROTECTOR A COMP MUFFLER	1	
18318		18318-ALC1-E00	PROTECTOR MUFFLER	PROTECTOR MUFFLER	1	
18320		18320-AEF2-E00	PIPE EXHAUST	PIPE EXHAUST	1	
18325		18325-AEF2-E00	PROTECTOR EXH. PIPE	PROTECTOR EXH. PIPE	1	
18328		18328-LDB5-E00	SPARK ARRESTOR	SPARK ARRESTOR	1	
18371		18371-LBA2-E00	BAND MUFFLER	BAND MUFFLER	1	
18391		18391-LBA2-E00	GASKET	GASKET	1	
39450		39450-ZVA6-M00	O2 SENSOR	O2 SENSOR	1	
90103		90103-LDB5-E00	BOLT. WASHER 6*12	BOLT. WASHER 6*12	8	
90104		90104-LDB5-E00	BOLT. WASHER 6*8	BOLT. WASHER 6*8	1	
94001		94001-08080-0S	NUT HEX 8MM	NUT HEX 8MM	2	
94101-LBA2		94101-LBA2-E00	WASHER PLATE 10.5*38*3.0	WASHER PLATE 10.5*38*3.0	2	
94101-LDB5		94101-LDB5-E00	WASHER. PLAIN. 6mm	WASHER. PLAIN. 6mm	16	
95801		95801-10040-06	BOLT FLANGE 10X40	BOLT FLANGE 10X40	1	
96001		96001-06012-06	BOLT FLANGE SH 6*12	BOLT FLANGE SH 6*12	1	

Master Cylinder Rear



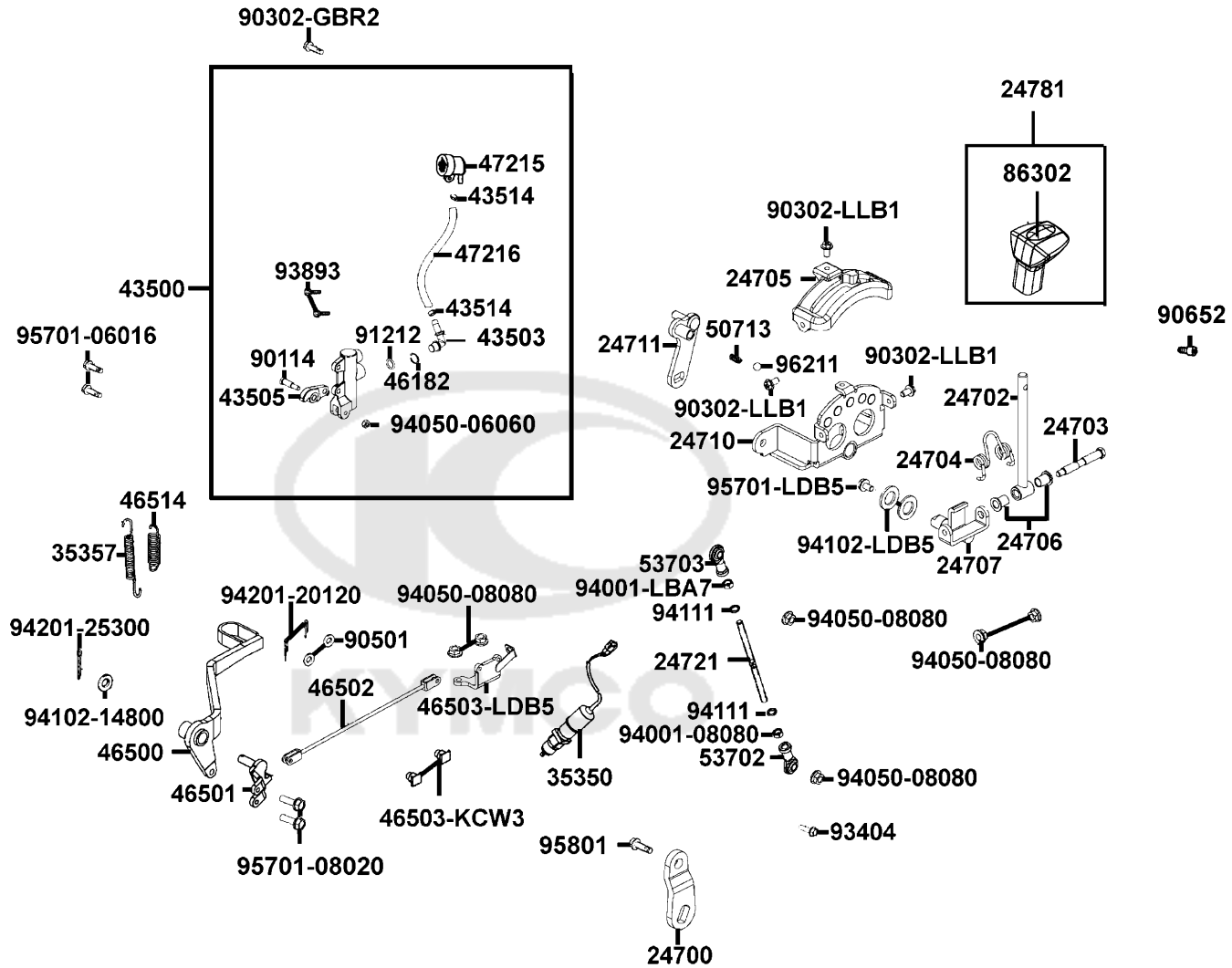
Sales mark	Ref no	Part no	Description	Reg description	Regd no	F15
24700		24700-LFE9-E00	STAY SHIFT GUIDE	STAY SHIFT GUIDE	1	
24702		24702-ALC1-E00	BAR SHIFT LEVER	BAR SHIFT LEVER	1	
24703		24703-LDB5-E00	BOLT SHIFT LEVER	BOLT SHIFT LEVER	1	
24704		24704-LDB5-E00	SPRING SHIFT LEVER	SPRING SHIFT LEVER	1	
24705		24705-LDB5-E00	STAY SHIFT LEVER GUIDE	STAY SHIFT LEVER GUIDE	1	
24706		24706-LDB5-E00	COLLAR SHIFT LEVER	COLLAR SHIFT LEVER	2	
24707		24707-LDB5-E00	BRKT SHIFT LEVER	BRKT SHIFT LEVER	1	
24710		24710-LDB5-E00	STAY SHIFTER	STAY SHIFTER	1	
24711		24711-LDB5-E00	SHAFT UPPER SHIFT GUIDE	SHAFT UPPER SHIFT GUIDE	1	
24721		24721-LDB5-E00	ROD SHIFT	ROD SHIFT	1	
24781		24781-LFA5-E00	KNOB SHIFTER	KNOB SHIFTER	1	
35350		35350-PWA2-900	REAR STOP SW	REAR STOP SW	1	
35357		35357-LDB5-E00	SPG STOP SW	SPG STOP SW	1	
43500		43500-LFE9-E01	MASTER CYLINDER ASSY FOOT	MASTER CYLINDER ASSY FOOT	1	
43503		43503-LDB5-E00	JOINT BRK HOSE	JOINT BRK HOSE	1	
43505		43505-LDB5-E00	PUSH ROD COMP	PUSH ROD COMP	1	
43514		43514-4E45-77A	CLAMP M/C OIL HOSE	CLAMP M/C OIL HOSE	2	
46182		46182-5L00-014	CIR CLIP	CIR CLIP	1	
46500		46500-LFE9-E00	PEDAL COMP RR BRAKE	PEDAL COMP RR BRAKE	1	
46501		46501-LFE9-E00	BRKT BRAKE PEDAL	BRKT BRAKE PEDAL	1	

Master Cylinder Rear



Sales mark	Ref no	Part no	Description	Reg description	Regd no	F15
	46502	46502-LDB5-E00	ROD RR BRK	ROD RR BRK	1	
	46503-KCW3	46503-KCW3-001	PIN COMP BRK ROD	PIN COMP BRK ROD	2	
	46503-LDB5	46503-LDB5-E00	BRKT RR M/C	BRKT RR M/C	1	
	46514	46514-LDB5-E00	SPG BRK ARM	SPG BRK ARM	1	
	47215	47215-KHD6-900	OIL CUP	OIL CUP	1	
	47216	47216-LFE9-900	HOSE	HOSE	1	
	50713	50713-LDB5-E00	SPRING	SPRING	1	
	53702	53702-LBA7-900	JOINT R BALL	JOINT R BALL	1	
	53703	53703-LBA7-900	JOINT L BALL	JOINT L BALL	1	
**	86302	86302-ALC1-E00	EMB GEAR REVEAL CHANGE	EMB GEAR REVEAL CHANGE	1	
	90114	90114-1F66-007	BOLT HANDLE LEVER	BOLT HANDLE LEVER	1	
	90302-GBR2	90302-GBR2-001	BOLT WASH 5*16	BOLT WASH 5*16	1	
	90302-LLB1	90302-LLB1-E00	BOLT-WASHER 5*12	BOLT-WASHER 5*12	1	
	90501	90501-3L10-001	WASHER 7*12	WASHER 7*12	2	
	90652	90652-PWB1-900	X'MAS TREE CLIP	X'MAS TREE CLIP	1	
	91212	91212-4B22-007	O-RING 14.8*2.4	O-RING 14.8*2.4	1	
	93404	93404-06012-06	BOLT WASHER 6*12 (G)	BOLT WASHER 6X12	1	
	93893	93893-04012-17	SCREW WASHER 4*12	SCREW WASHER 4*12	2	
	94001-08080	94001-08080-0S	NUT HEX 8MM	NUT HEX 8MM	1	
	94001-LBA7	94001-LBA7-900	NUT HEX LH 8MM	NUT HEX LH 8MM	1	

Master Cylinder Rear

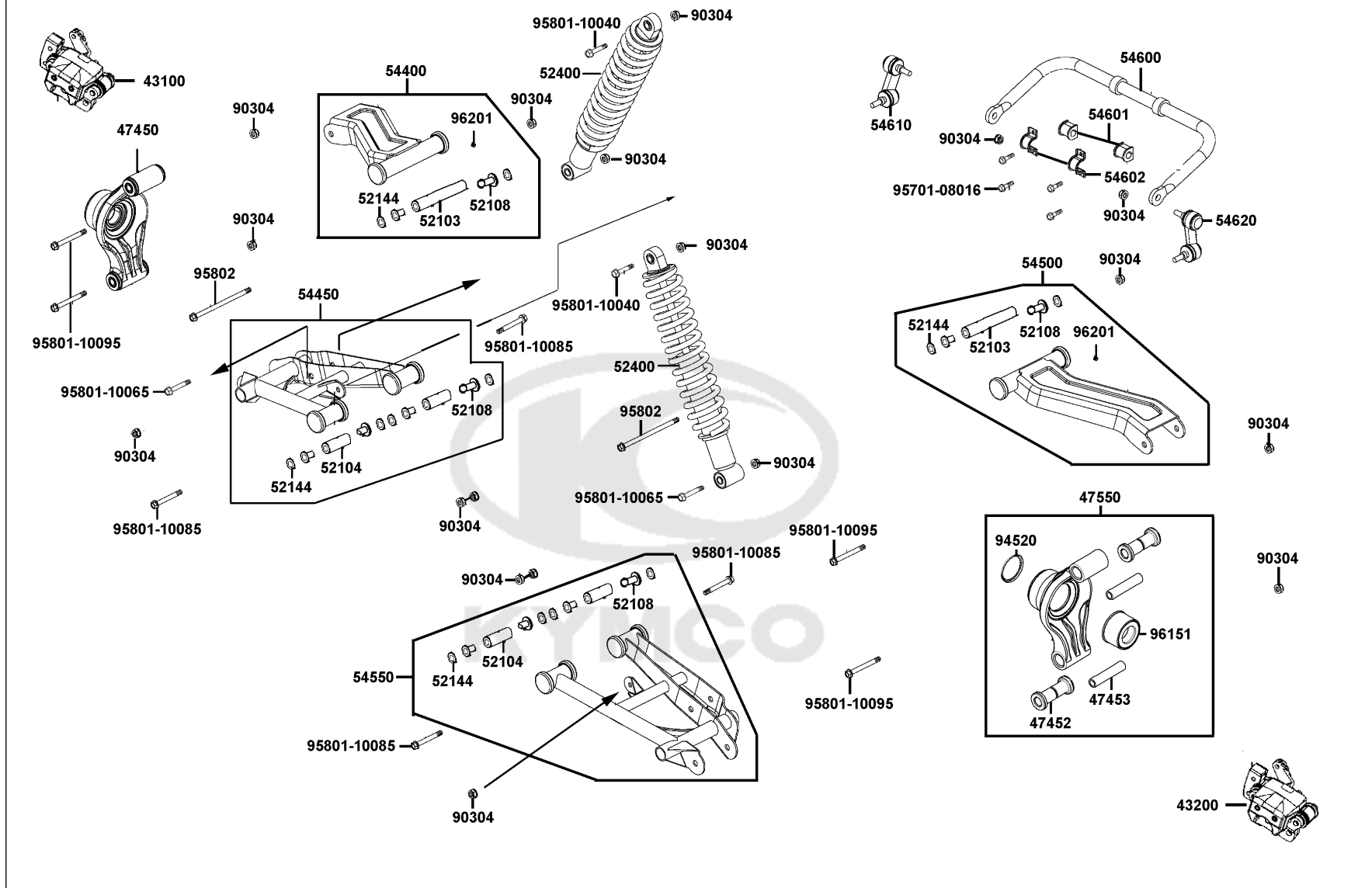


Sales mark	Ref no	Part no	Description	Reg description	Regd no	F15
	94050-06060	94050-06060	NUT FLANGE 6MM	NUT FLANGE 6MM	1	
	94050-08080	94050-08080	NUT FLANGE 8MM	NUT FLANGE 8MM	6	
	94102-14800	94102-14800	WASHER PLAIN 14*26*2.3	WASHER PLAIN 14*26*2.3	1	
	94102-LDB5	94102-LDB5-E00	WASHER PLAIN 14MM	WASHER PLAIN 14MM	2	
	94111	94111-08800	WASHER SPG 8MM	WASHER SPG 8MM	2	
	94201-20120	94201-20120	PIN SPLIT 2*12	PIN SPLIT 2*12	2	
	94201-25300	94201-25300	PIN SPLIT 2.5*30	PIN SPLIT 2.5*30	1	
	95701-06016	95701-06016-06	BOLT FLANGE 6*16 (K)	BOLT FLANGE 6X16	2	
	95701-08020	95701-08020-06	BOLT FLANGE 8*20MM **07 C.2005.07.01	BOLT FLANGE 8*20MM **07 C.2005.07.01	1	
	95701-LDB5	95701-LDB5-E00	BOLT FLANGE 6*16	BOLT FLANGE 6*16	1	
	95801	95801-08028-06	BOLT FLANGE 8*28	BOLT FLANGE 8*28	2	
	96211	96211-08000	BALL STEEL #8	BALL STEEL #8	1	

Sales mark	Ref no	Part no	Description	Reg description	Regd no	F16
**	43100	43100-LFA5-E00	CALIPER ASSY REAR	CALIPER ASSY REAR	1	
**	43200	43200-LFA5-E00	CALIPER ASSY,REAR LH PARKING B	CALIPER ASSY,REAR LH PARKING B	1	
	47450	47450-PWB1-900	KNUCKLE REAR ASSEMBLY RH	KNUCKLE REAR ASSEMBLY RH	1	
	47452	47452-PWB1-900	BUSHING RR SUSPENSION	BUSHING RR SUSPENSION	8	
	47453	47453-PWB1-900	COLLAR SUSPENSION	COLLAR SUSPENSION	4	
	47550	47550-PWB1-E00	KNUCKLE REAR ASSEMBLY LH	KNUCKLE REAR ASSEMBLY LH	1	
	52103	52103-PWB1-900	SLEEVE SUSPENSION	SLEEVE SUSPENSION	2	
	52104	52104-PWB1-900	SLEEVE SUSPENSION	SLEEVE SUSPENSION	4	
	52108	52108-PWB1-900	BUSHING SUSPENSION	BUSHING SUSPENSION	12	
	52144	52144-PWB1-900	SEAL SUSPENSION	SEAL SUSPENSION	12	
**	52400	52400-ALC1-E00	CUSHION ASSY RR (BLACK)	CUSHION ASSY RR (BLACK)	2	
**	54400	54400-AEC8-E00	CONTROL ARM,RH UPPER ASSY	CONTROL ARM,RH UPPER ASSY	1	
**	54450	54450-ALC1-E01	CONTROL ARM ASSY LOWER R	CONTROL ARM ASSY LOWER R	1	
**	54500	54500-AEC8-E00	CONTROL ARM,LH UPPER ASSY	CONTROL ARM,LH UPPER ASSY	1	
**	54550	54550-ALC1-E01	CONTROL ARM ASSY LOWER L	CONTROL ARM ASSY LOWER L	1	
	54600	54600-LFE9-E00	BAR STABILIZER	BAR STABILIZER	1	
	54601	54601-LFE9-E00	BUSH STABILIZER	BUSH STABILIZER	2	
	54602	54602-LFE9-E00	HOLDER STABILIZER	HOLDER STABILIZER	2	
	54610	54610-LFE9-E00	JOINT STABILIZER RH	JOINT STABILIZER RH	1	
	54620	54620-LFE9-E00	STABILIZER JOINT LH	STABILIZER JOINT LH	1	

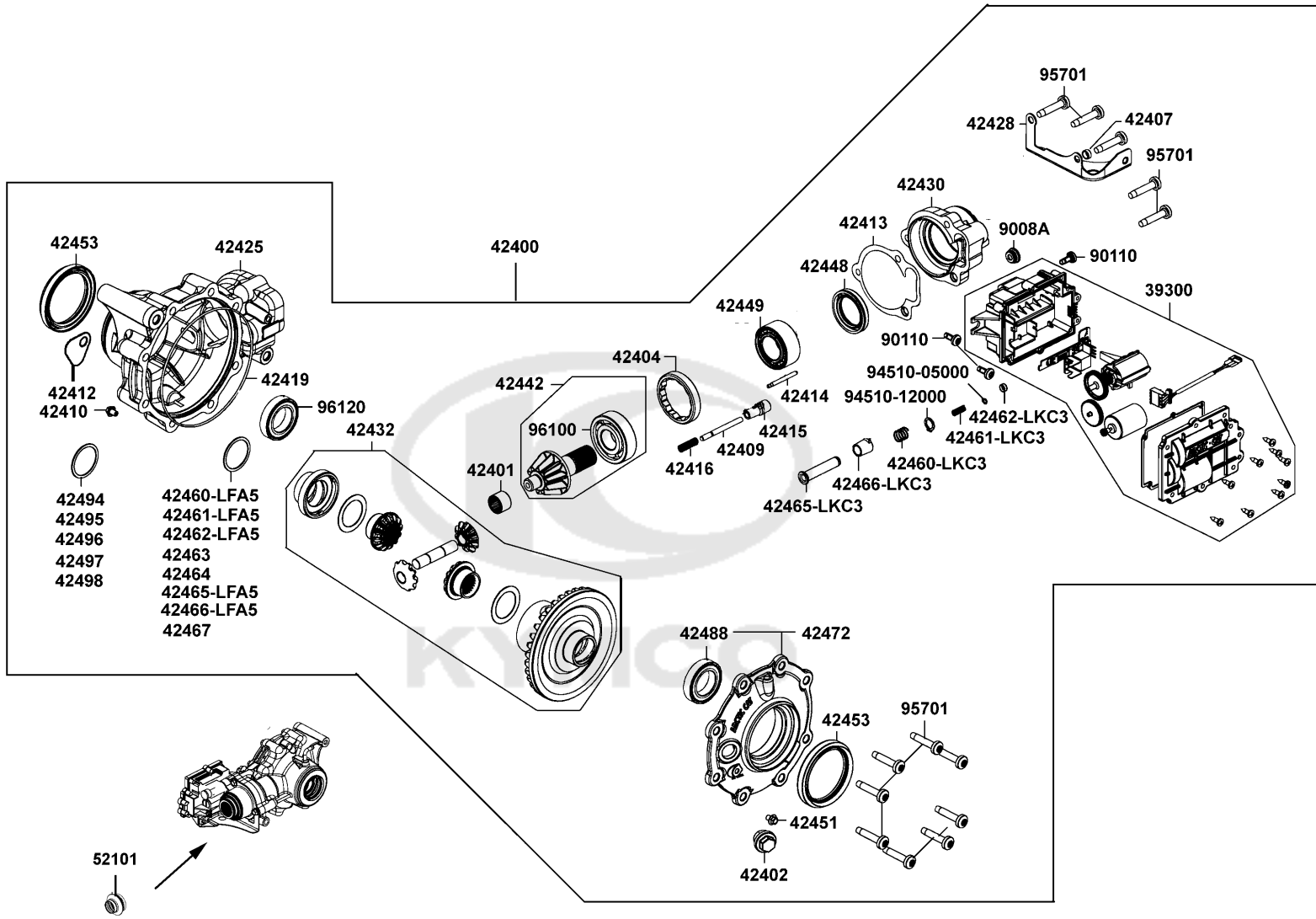
F16

Cushion Assy RrControl Arm Assy Rr

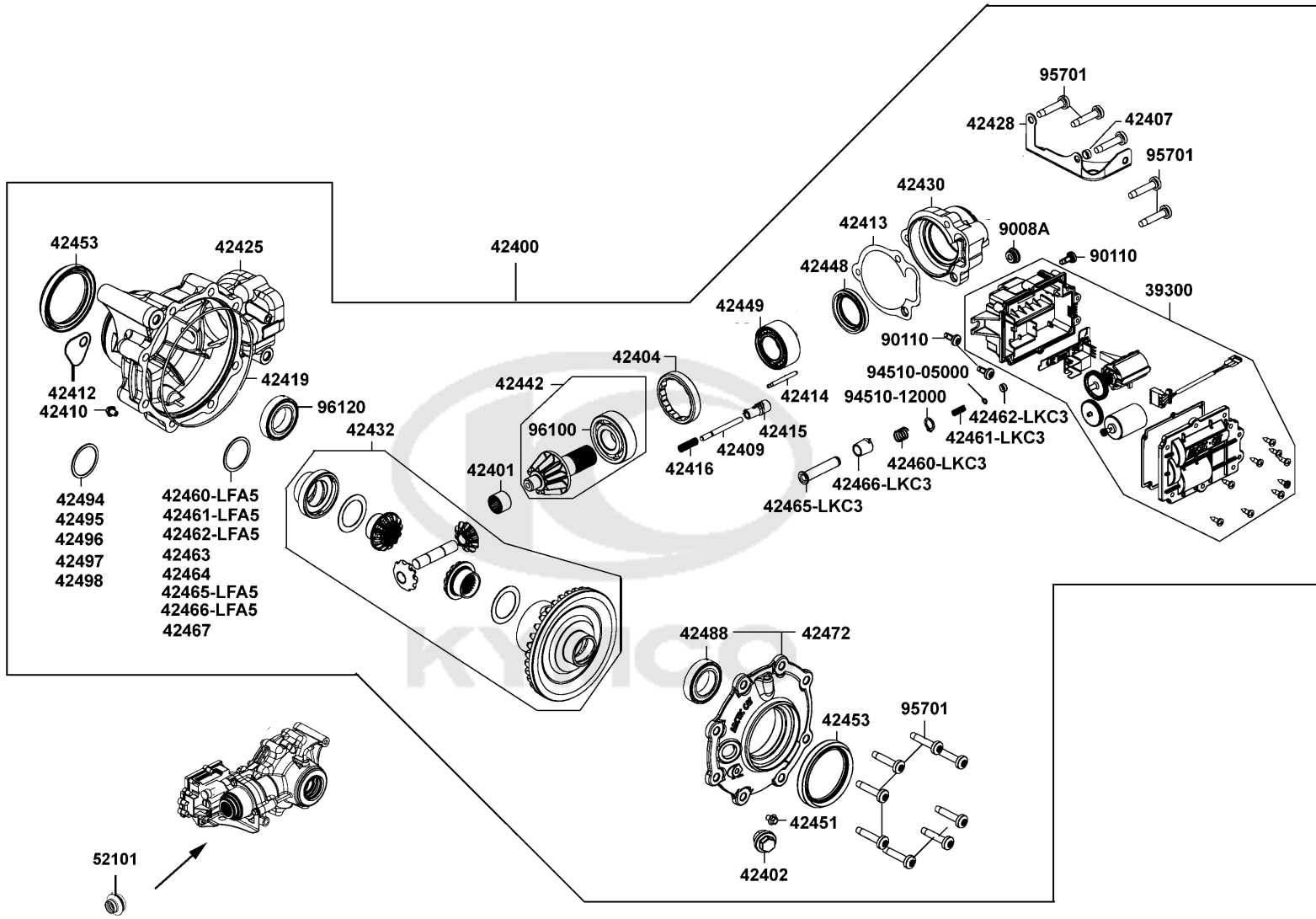


Sales mark	Ref no	Part no	Description	Reg description	Regd no	F16
90304		90304-GLW0-90A	NUT U FLANGE 10MM	NUT U FLANGE 10MM	18	
94520		94520-55000	CIR CLIP IN 55	CIR CLIP IN 55	2	
95701-08016		95701-08016-06	BOLT FLANGE 8*16	BOLT FLANGE 8*16	4	
95801-10040		95801-10040-06	BOLT FLANGE 10X40	BOLT FLANGE 10X40	1	
95801-10065		95801-10065-06	BOLT FLANGE 10*65	BOLT FLANGE 10*65	1	
95801-10085		95801-10085-06	BOLT FLANGE 10*85	BOLT FLANGE 10*85	4	
95801-10095		95801-10095-06	BOLT FLANGE 10*95	BOLT FLANGE 10*95	4	
95802		95802-PWB1-900	SCREW, CAP-HFH M10x1.25	SCREW, CAP-HFH M10x1.25	2	
96151		96151-PWB1-900	BEARING WHEEL	BEARING WHEEL	2	
96201		96201-ACD3-E00	NIPPLE GREASE	NIPPLE GREASE	2	

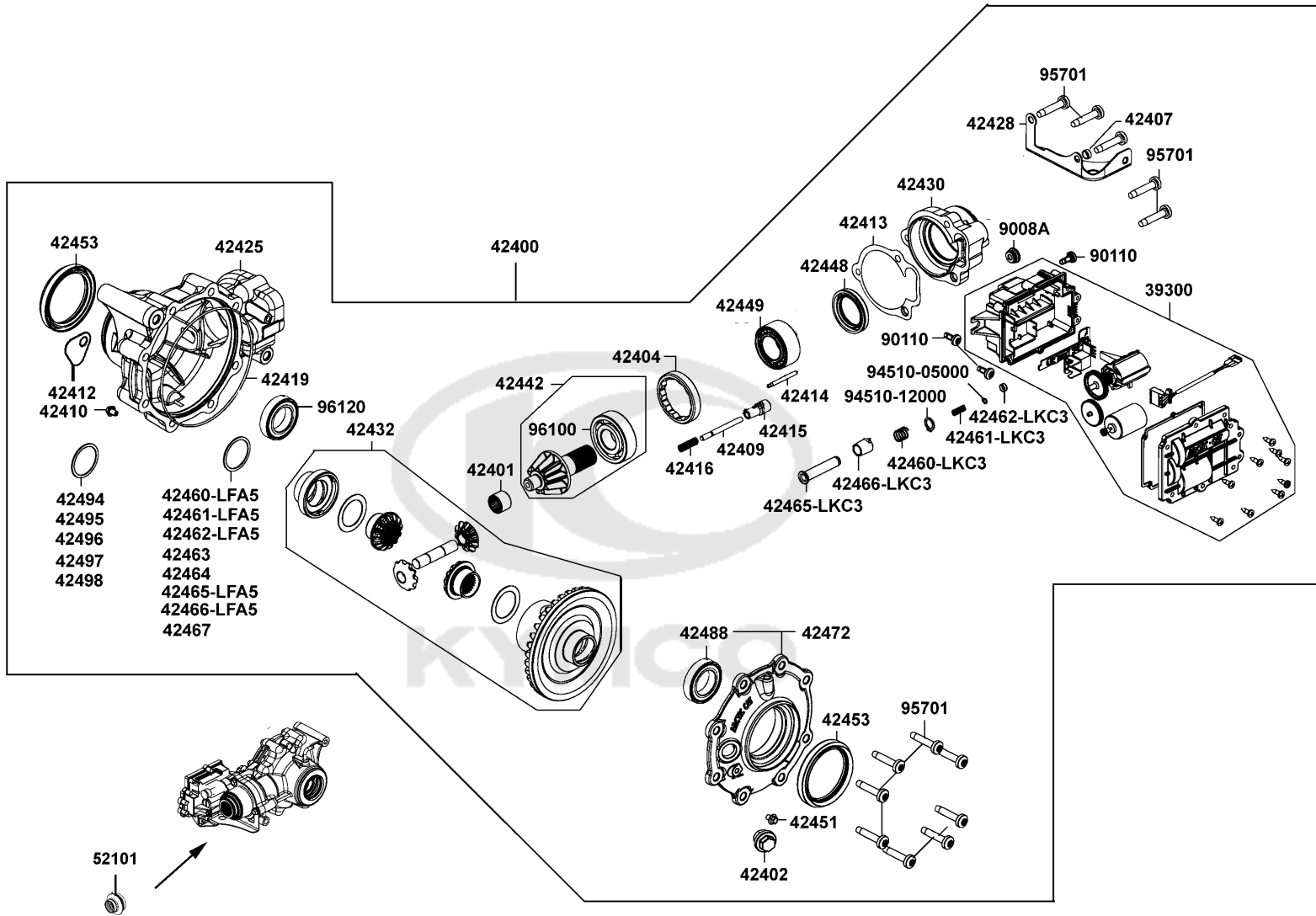




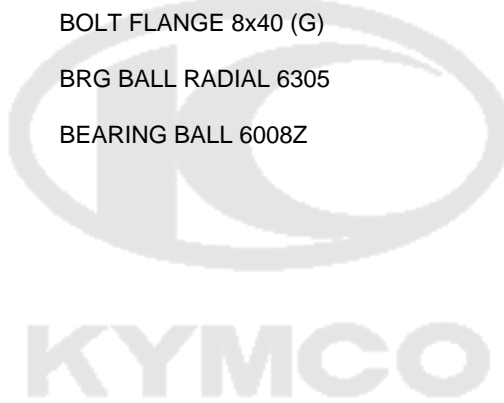
Sales mark	Ref no	Part no	Description	Reg description	Regd no	F17
39300		39300-LKC3-500	ACTUATOR 2x4-LOCK ASSY	ACTUATOR	1	
42400		42400-ALC1-510	E-LOCK GEARCASE 3.6	E-LOCK GEARCASE 3.6	1	
42402		42402-LFA5-900	PLUG FILL	PLUG FILL	1	
42404		42404-LFA5-900	COLLAR LOCK M64X1.5 RH	COLLAR LOCK M64X1.5 RH	1	
42407		42407-LFA5-900	PIN DOWEL	PIN DOWEL	3	
42409		42409-LKC3-500	SHAFT E-LOCK SELECTOR	SHAFT E-LOCK SELECTOR	1	
42410		42410-LFA5-900	PLUG DRAIN MAG	PLUG DRAIN MAG	1	
42412		42412-LFA5-900	TAG ID GEARCASE	TAG ID GEARCASE	1	
42413		42413-LKC3-500	GASKET FLANGE	GASKET FLANGE	1	
42414		42414-LKC3-500	SHAFT.,SELECTOR	SHAFT SELECTOR	1	
42415		42415-ALC1-510	COLLAR GEARCASE	COLLAR GEARCASE	1	
42416		42416-LKC3-500	COLLAR ACTUATOR	COLLAR ACTUATOR	1	
42419		42419-LKC3-500	GASKET HOUSING	GASKET HOUSING	1	
42425		42425-LKA8-500	HOUSING GEARCASE-FRONT MACH	HOUSING GEARCASE-FRONT MACH	1	
42428		42428-LKC3-500	BRACKET ACTUATOR-WELDMENT	BRACKET ACTUATOR-WELDMENT	1	
42430		42430-ALC1-510	HOUSING PINION-MACH	HOUSING PINION-MACH	1	
42432		42432-LEE8-810	E-LOCK.OPEN TYPE GEARCASE	E-LOCK.OPEN TYPE GEARCASE	1	
42442		42442-LKC3-500	PINION(10 TOOTH)-ASSEMBLY	PINION(10 TOOTH)-ASSEMBLY	1	
42448		42448-ALC1-500	OIL SEAL 45*55*7	OIL SEAL 45*55*7	1	
42449		42449-ALC1-500	BRG NEEDLE 45*55*25	BRG NEEDLE 45*55*25	1	



Sales mark	Ref no	Part no	Description	Reg description	Regd no	F17
	42451	42451-LFA5-900	PLUG OIL LEVEL	PLUG OIL LEVEL	1	
	42453	42453-LGC3-900	OIL SEAL 48*84*9	OIL SEAL 48*84*9	1	
	42460-LFA5	42460-LFA5-900	SHIM 41*49*1.0	SHIM 41*49*1.0	1	
	42460-LKC3	42460-LKC3-500	SPRING A E-LOCK	SPRING A E-LOCK	1	
	42461-LFA5	42461-LFA5-900	SHIM 41*49*1.1	SHIM 41*49*1.1	1	
	42461-LKC3	42461-LKC3-500	SPRING B E-LOCK	SPRING B E-LOCK	1	
	42462-LFA5	42462-LFA5-900	SHIM 41*49*1.2	SHIM 41*49*1.2	1	
	42462-LKC3	42462-LKC3-500	CAP E-LOCK	CAP E-LOCK	1	
	42463	42463-LFA5-900	SHIM 41*49*1.3	SHIM 41*49*1.3	1	
	42464	42464-LFA5-900	SHIM 41*49*1.4	SHIM 41*49*1.4	1	
	42465-LFA5	42465-LFA5-900	SHIM 41*49*1.5	SHIM 41*49*1.5	1	
	42465-LKC3	42465-LKC3-510	SHAFT SELECTOR	SHAFT SELECTOR	1	
	42466-LFA5	42466-LFA5-900	SHIM 41*49*1.6	SHIM 41*49*1.6	1	
	42466-LKC3	42466-LKC3-500	STAY..SELECTOR	STAY..SELECTOR	1	
	42467	42467-LFA5-900	SHIM 41*49*1.7	SHIM 41*49*1.7	1	
	42472	42472-LKC3-500	COVEFR LOCK ASSY	COVEFR LOCK ASSY	1	
	42488	42488-LEE8-E00	BEARING BALL	BEARING BALL	1	
	42494	42494-LEE8-E00	SHIM 61*69*1.3mm	SHIM 61*69*1.3mm	1	
	42495	42495-LEE8-E00	SHIM 61*69*1.4mm	SHIM 61*69*1.4mm	1	
	42496	42496-LEE8-E00	SHIM 61*69*1.5mm	SHIM 61*69*1.5mm	1	

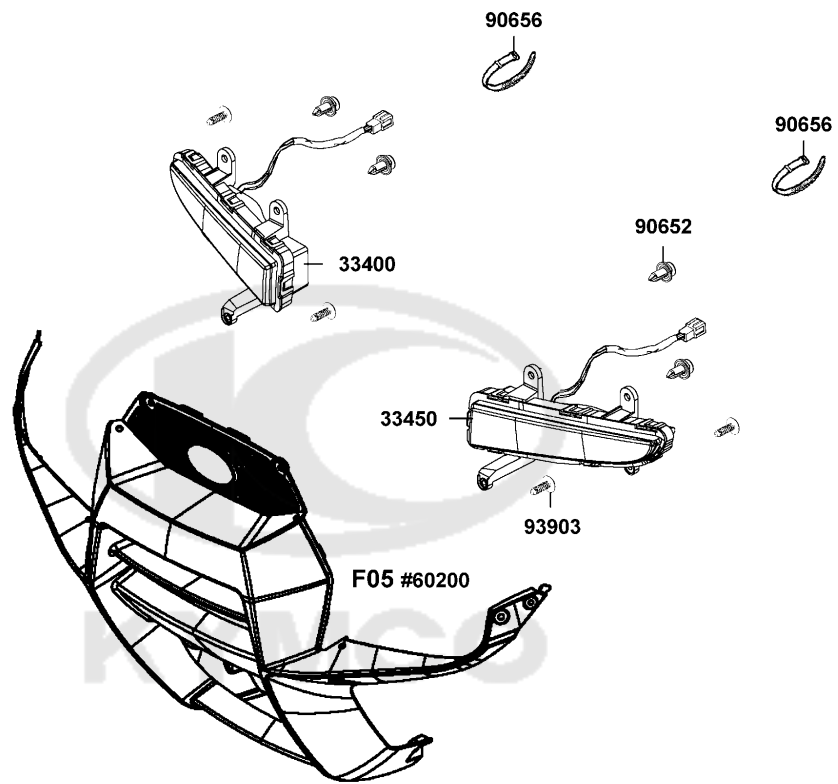



Sales mark	Ref no	Part no	Description	Reg description	Regd no	F17
42497		42497-LEE8-E00	SHIM 61*69*1.6mm	SHIM 61*69*1.6mm	1	
42498		42498-LEE8-E00	SHIM 61*69*1.7 mm	SHIM 61*69*1.7 mm	1	
52101		52101-LFE9-E00	BOOT RR PROPELLER SHAFT	BOOT RR PROPELLER SHAFT	1	
9008A		9008A-LKC3-500	CAP ASSY E-LOCK	CAP ASSY E-LOCK	1	
90110		90110-LFA5-900	BOLT SPECIAL 6X12	BOLT SPECIAL 6X12	3	
94510-05000		94510-05000	CIR CLIP EX5	CIR CLIP EX5	3	
94510-12000		94510-12000-G	CIR CLIP EX 12	CIR CLIP EX 12	1	
95701		95701-08040-06	BOLT FLANGE 8x40 (G)	BOLT FLANGE 8x40 (G)	13	
96100		96100-63050-00	BRG BALL RADIAL 6305	BRG BALL RADIAL 6305	1	
96120		96120-60080-00	BEARING BALL 6008Z	BEARING BALL 6008Z	1	



F18

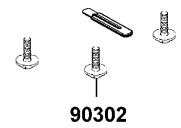
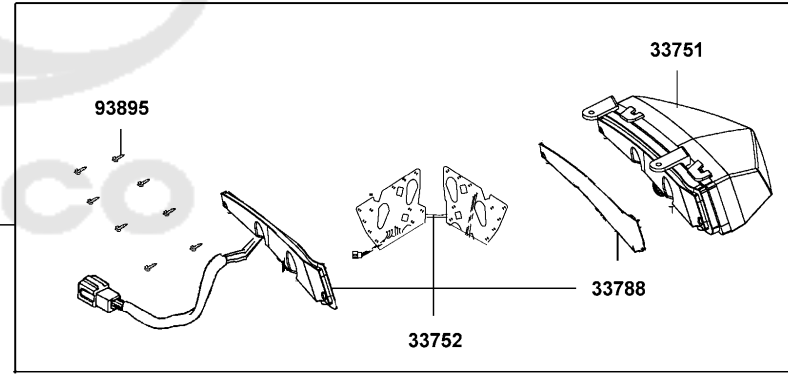
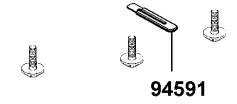
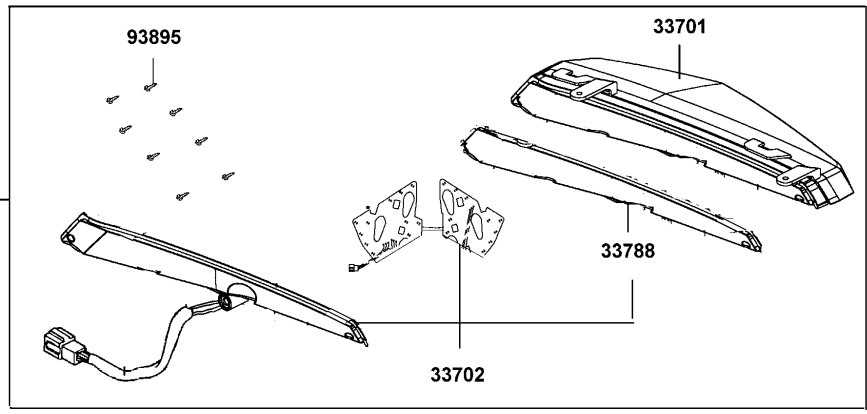
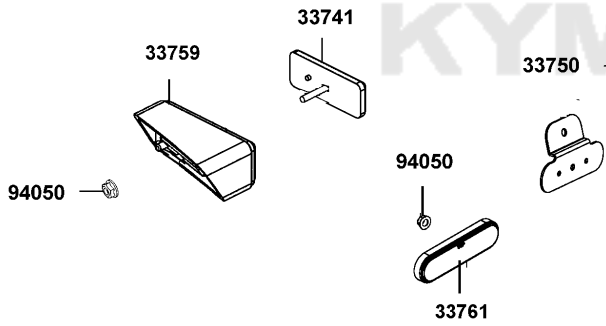
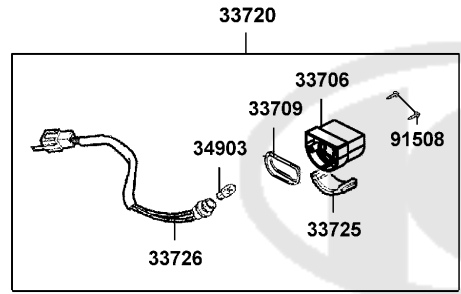
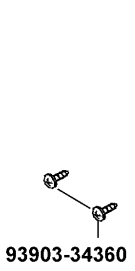
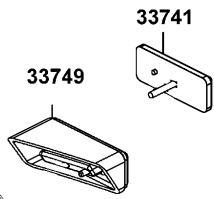
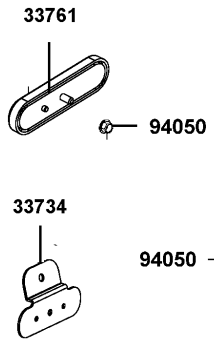
Winker



Sales mark	Ref no	Part no	Description	Reg description	Regd no	F18
33400	33400-ALC1-E00	33400-ALC1-E00	WINKER ASSY L FR (NO BULB)	WINKER ASSY L FR (NO BULB)	1	
33450	33450-ALC1-E00	33450-ALC1-E00	WINKER ASSY L FR (NO BULB)	WINKER ASSY L FR (NO BULB)	1	
90652	90652-LDB5-900	90652-LDB5-900	CLIP MUDGUARD	CLIP MUDGUARD	4	
90656	90656-KCBC-900	90656-KCBC-900	BAND OIL HANDLE 8X146	BAND OIL HANDLE 8X146	2	
93903	93903-35360	93903-35360	SCREW TAPPING 5*16	SCREW TAPPING 5*16	4	
						

F19

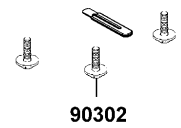
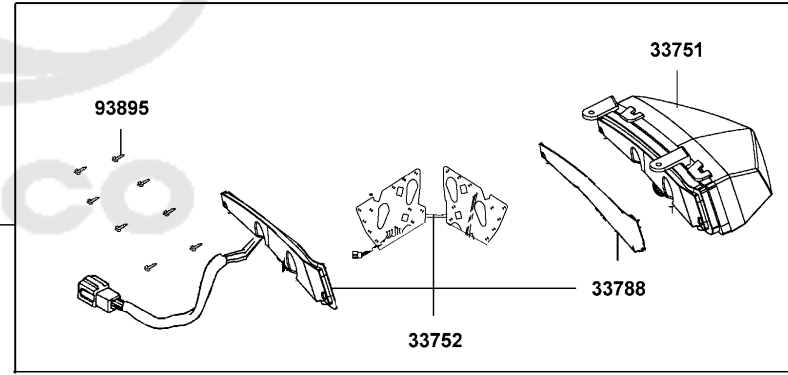
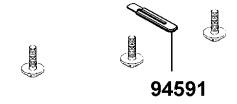
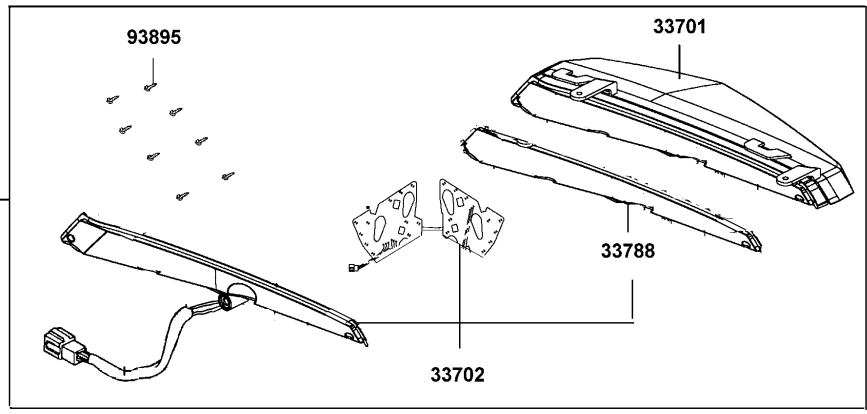
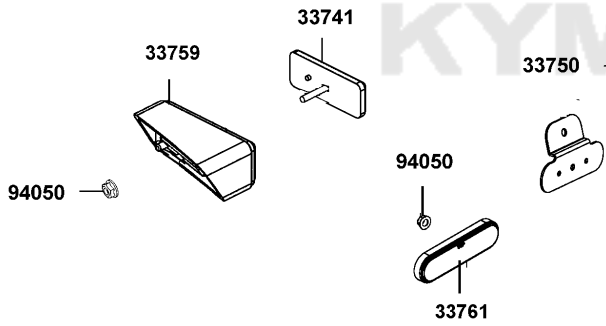
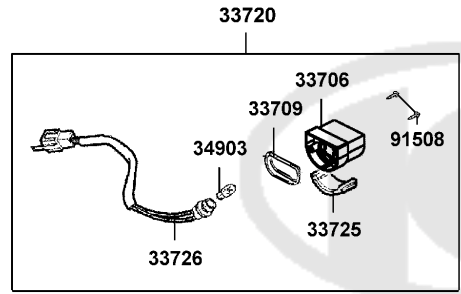
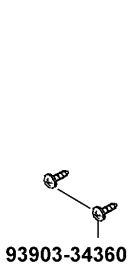
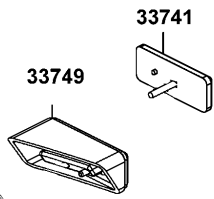
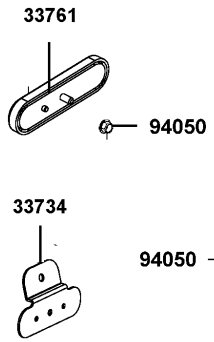
Light Tail




Sales mark	Ref no	Part no	Description	Reg description	Regd no	F19
33700		33700-ALC1-E00	LIGHT ASSY R RR COMB	LIGHT ASSY R RR COMB	1	
33701		33701-ALC1-E00	LENS UNIT	LENS UNIT	1	
33702		33702-ALC1-E00	COVER UNIT	COVER UNIT	1	
33706		33706-GCN3-67A	COVER LICENSE	COVER LICENSE	1	
33709		33709-KBAB-003	PACKING LICENSE	PACKING LICENSE	1	
33720		33720-LCA5-E00	LIGHT ASSY LICENSE	LIGHT ASSY LICENSE	1	
33725		33725-KHB4-E00	LENS LICENSE	LENS LICENSE	1	
33726		33726-LCA5-E00	SOCKET COMP	SOCKET COMP	1	
33734		33734-AEC9-E00	STAY REFLEX REFLECTOR	STAY REFLEX REFLECTOR	2	
33741		33741-ALC1-E00	REFLEX REFLECTOR	REFLEX REFLECTOR	2	
33749		33749-ALC1-E00	PACKING R REPLECTOR RR	PACKING R REPLECTOR RR	1	
33750		33750-ALC1-E00	LIGHT ASSY L RR COMB	LIGHT ASSY L RR COMB	1	
33751		33751-ALC1-E00	LENS UNIT	LENS UNIT	1	
33752		33752-ALC1-E00	COVER UNIT	COVER UNIT	1	
33759		33759-ALC1-E00	PACKING L REPLECTOR RR	PACKING L REPLECTOR RR	1	
33761		33761-PUA6-MX0	REFLEX REFLECTOR (Red)	REFLEX REFLECTOR (Red)	2	
33788		33788-ALC1-E00	SEAL	SEAL	2	
34903		34903-KPCP-900	BULB POSITION LIGHT 12V5W **KCP-	BULB POSITION LIGHT 12V5W	1	
90302		90302-GFY6-940	BOLT-WASH 5*16	BOLT-WASH 5*16	6	
91508		91508-KGV7-67A	SCREW TAPPING 4*14	SCREW TAPPING 4*14	2	

F19

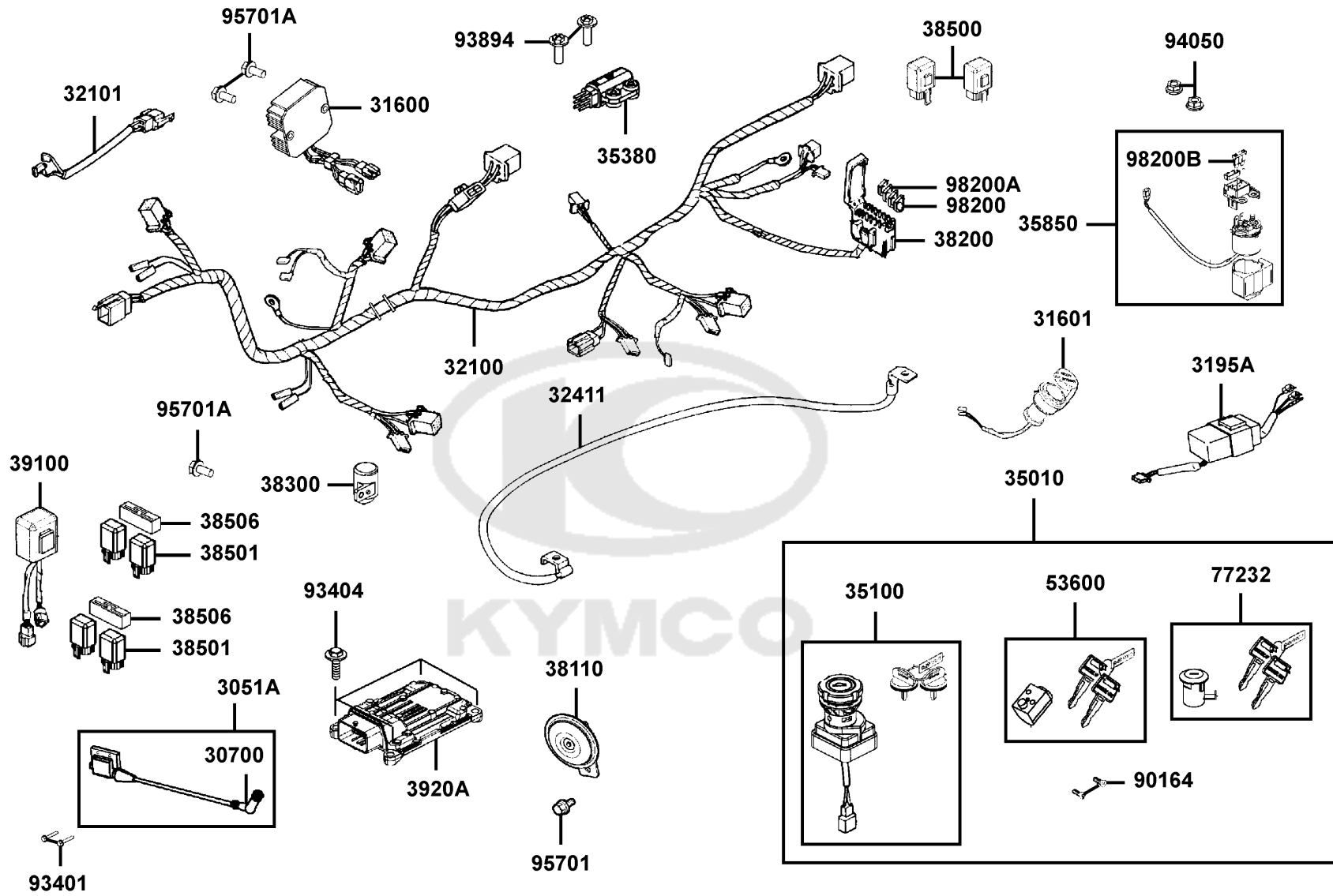
Light Tail



Sales mark	Ref no	Part no	Description	Reg description	Regd no	F19
	93895	93895-ALC1-E00	SCREW 3.5*10	SCREW 3.5*10	16	
	93903-34360	93903-34360	SCREW TAPPING 4X12	SCREW TAPPING 4X12	2	
	94050	94050-05080	NUT FLANGE 5MM	NUT FLANGE 5MM	4	
	94591	94591-KFBF-900	CLIP 2*70	CLIP 2*70	2	
						

F20

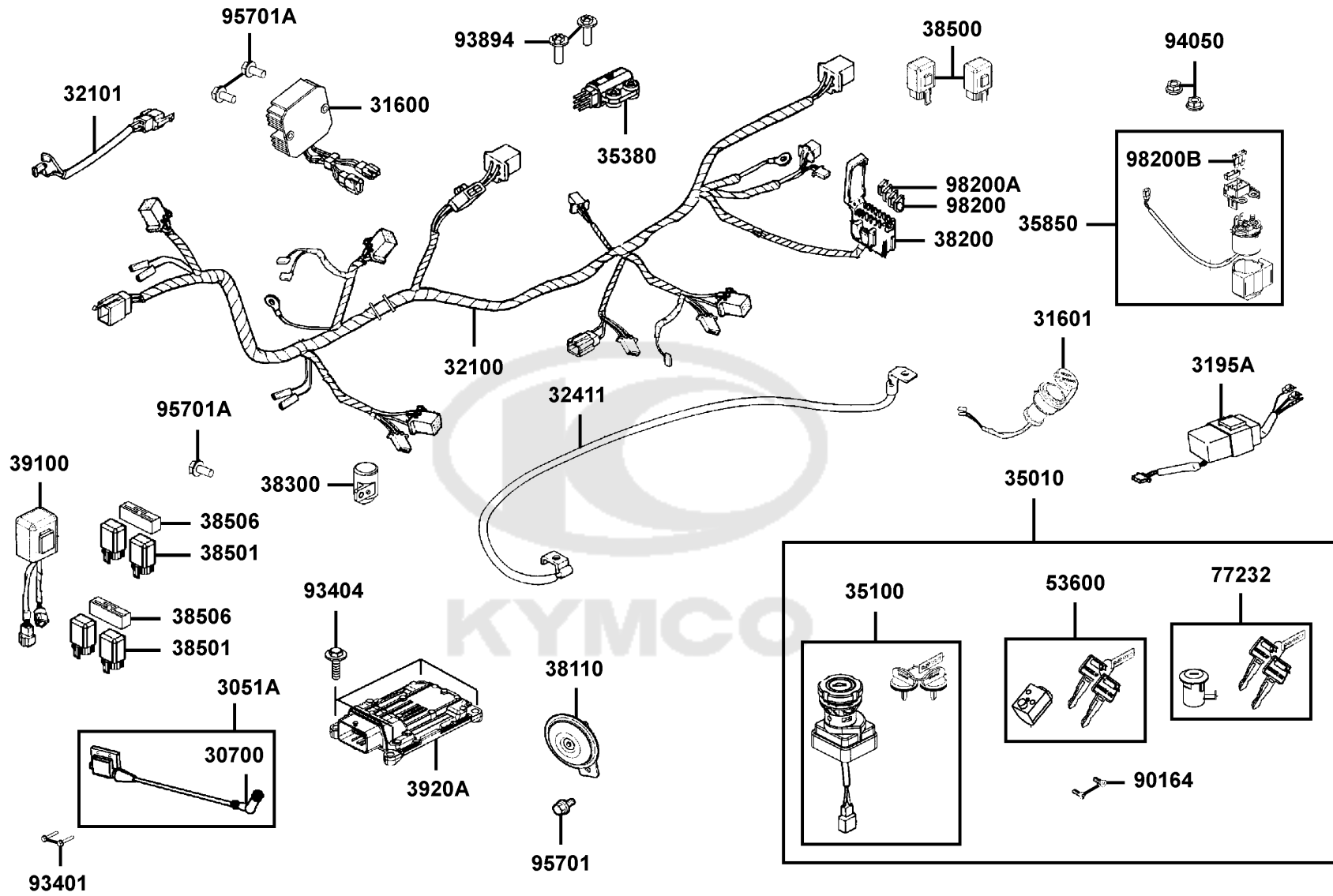
Harness Wire



Sales mark	Ref no	Part no	Description	Reg description	Regd no	F20
3051A		3051A-LKA8-E00	COIL ASS'Y IGNITION	COIL ASS'Y IGNITION	1	
30700		30700-PTA1-800	CAP ASS Y NOISE SUPPRESOR	CAP ASSY NOISE SUPPRESOR	1	
31600		31600-PRB2-900	REG RECT COMP	REG RECT COMP	1	
31601		31601-LDB5-E00	SOCKET COMP DC 12V	SOCKET COMP DC 12V	1	
3195A		3195A-LBA7-E00	HAZARD CONTROL ASSY	HAZARD CONTROL ASSY	1	
32100		32100-AEF2-E01	HARNESS WIRE	HARNESS WIRE	1	
32101		32101-LLB1-800	SUB CORD	SUB CORD	1	
32411		32411-ALC1-E00	CABLE BAT	CABLE BAT	1	
35010		35010-ALC1-EV0	KEY SET (A.H.C.)	KEY SET (A.H.C.)	1	
35100		35100-ALC1-305	SW ASSY COMB	SW ASSY COMB	1	
35380		35380-LDF2-900	SENSOR ANGLE DETECT	SENSOR ANGLE DETECT	1	
35850		35850-LDB5-E00	SET START MAG	SET START MAG	1	
38110		38110-LDB5-E00	HORN COMP	HORN COMP	1	
38200		38200-KHE7-900	BOX COMP FUSE	BOX COMP FUSE	1	
38300		38300-KKE5-E00	RELAY COMP WINKER	RELAY COMP WINKER	1	
38500		38500-LGL3-90A	RELAY ASSY LIGHT	RELAY ASSY LIGHT	2	
38501		38501-LGL3-90A	RELAY COMP LIGHT	RELAY COMP LIGHT	8	
38506		38506-LFB6-900	CUSHION.RELAY	CUSHION.RELAY	2	
39100		39100-LBA7-E00	EMI FILTER FAN MOTOR	EMI FILTER FAN MOTOR	1	
3920A		3920A-AEF2-E00	MODULE ASSY ECU	MODULE ASSY ECU	1	

F20

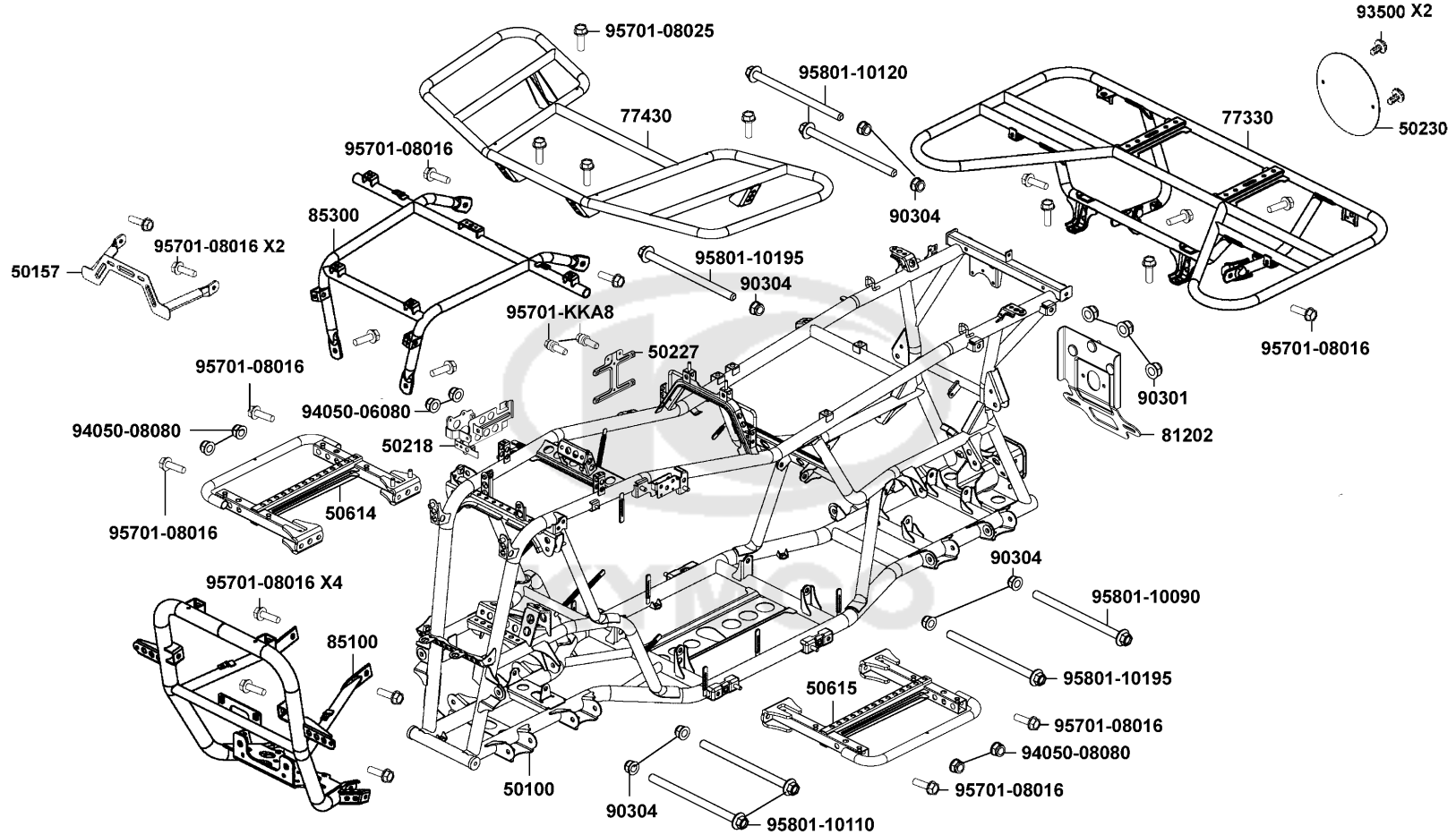
Harness Wire



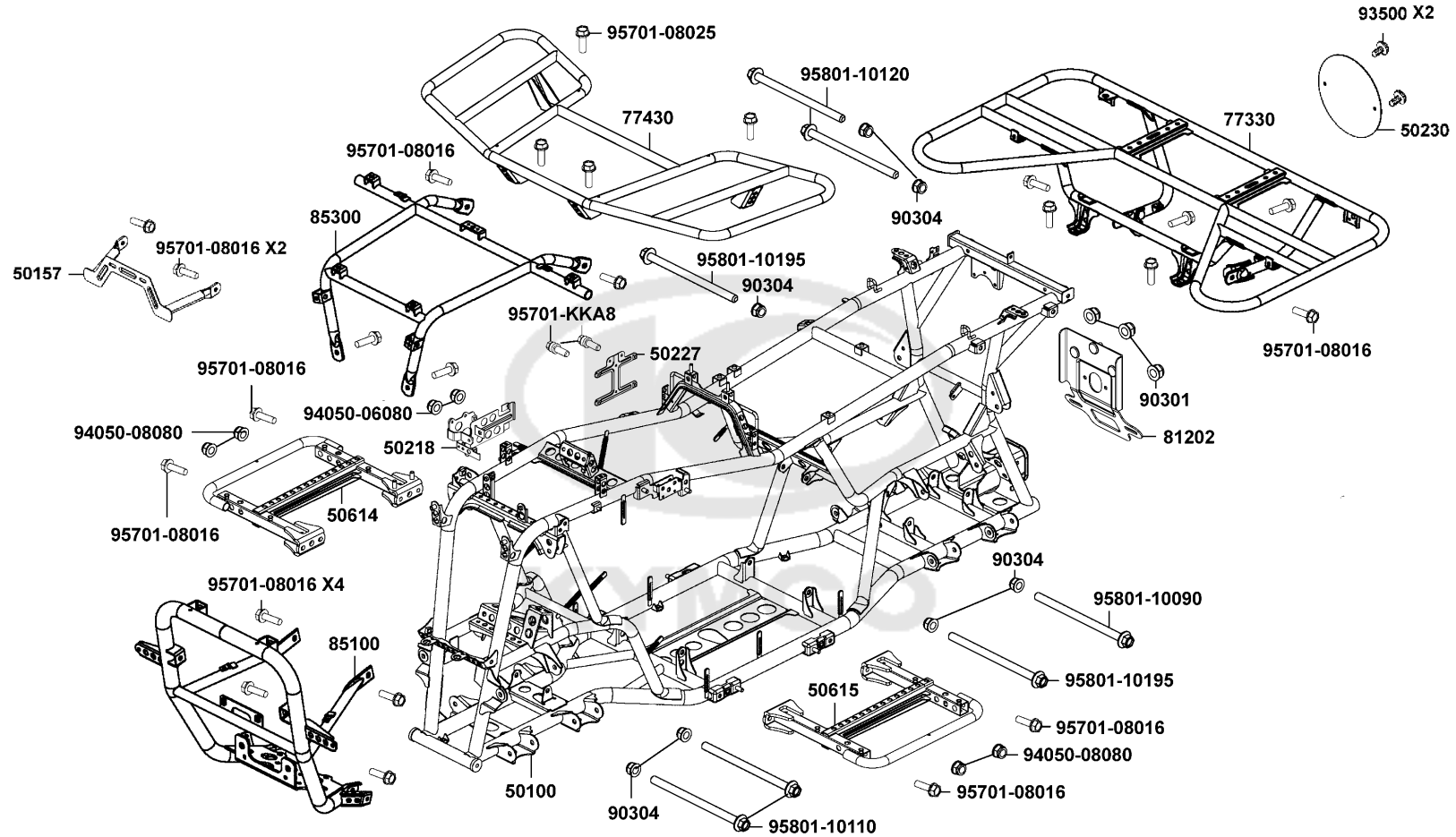
Sales mark	Ref no	Part no	Description	Reg description	Regd no	F20
53600		53600-KKAK-325	LOCK STEERING HANDLE ASSY	LOCK STEERING HANDLE ASSY	1	
77232		77232-GLW0-318-M2	LOCK SET FUEL LID	LOCK SET FUEL LID	1	
90164		90164-0H28-900	SCREW FLAT U LOCK 6*12	SCREW FLAT U LOCK 6*12	2	
93401		93401-04025-06	BOLT WASHER 4X25	BOLT WASHER 4X25	1	
93404		93404-06020-06	BOLT WASHER 6*20 (G)	BOLT WASHER 6X20	4	
93894		93894-04022-06	SCREW WASHER 4X22	SCREW WASHER 4X22	1	
94050		94050-06060	NUT FLANGE 6MM	NUT FLANGE 6MM	2	
94050		94050-06080	NUT FLANGE 6MM	NUT FLANGE 6MM	2	
95701		95701-06012-06	BOLT FLANGE 6*12 **07 C.2005.07.01	BOLT FLANGE 6X12	1	
95701A		95701-06016-06	BOLT FLANGE 6*16 (K)	BOLT FLANGE 6X16	3	
98200		98200-31000	BLADE FUSE 10A **(0) C.2005.03.01	BLADE FUSE 10A	1	
98200A		98200-31500	BLADE FUSE 15A	BLADE FUSE 15A	5	
98200B		98200-34000	BLADE FUSE 40A	BLADE FUSE 40A	1	


F21

Frame Body



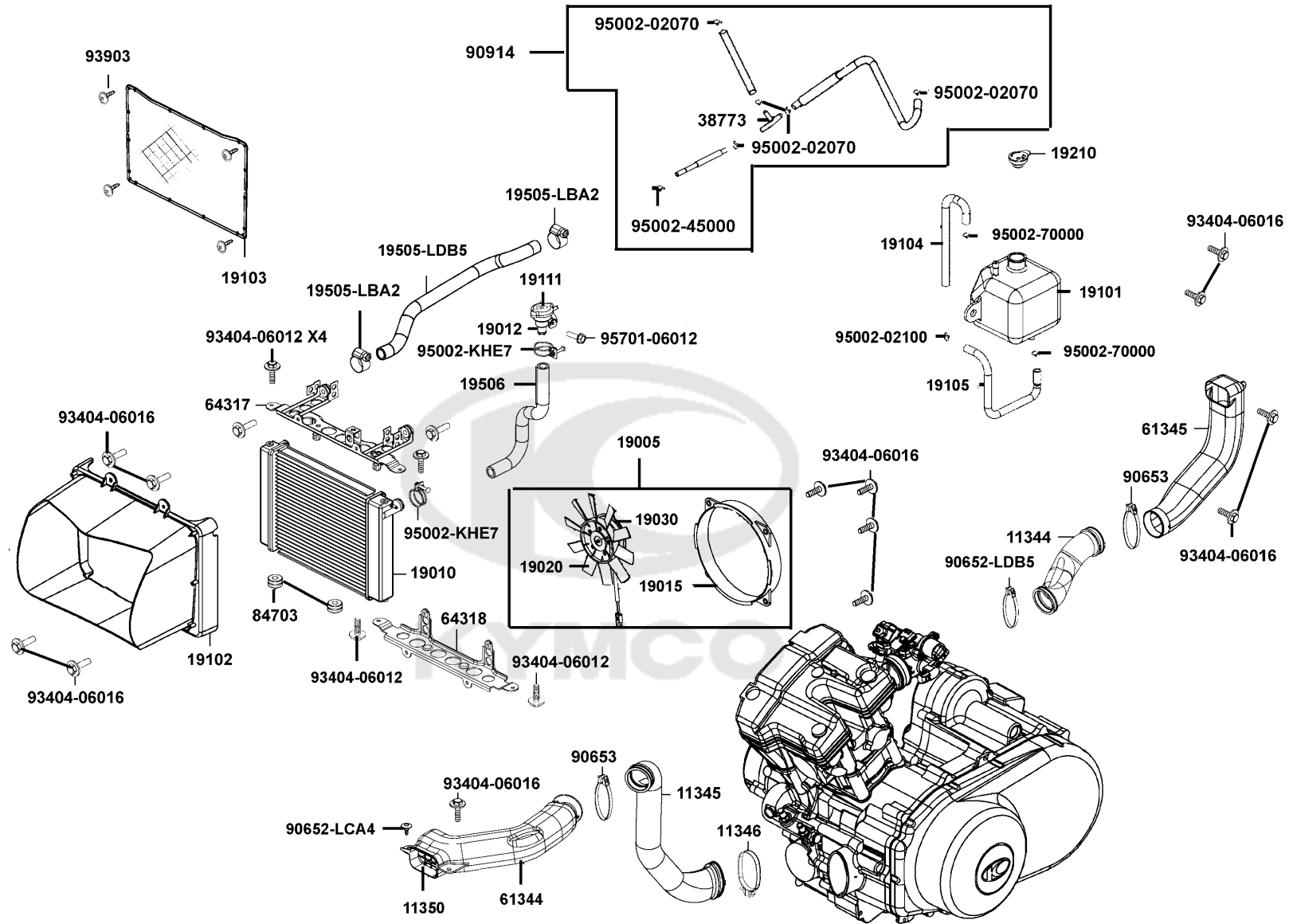
Sales mark	Ref no	Part no	Description	Reg description	Regd no	F21
	50100	50100-AEF2-E00	BODY COMP FRAME	BODY COMP FRAME	1	
	50157	50157-AEC9-E00	STAY ID PLATE	STAY ID PLATE	1	
	50218	50218-LDB5-E00	STAY ELE SET	STAY ELE SET	1	
	50227	50227-LKA8-E00	STAY. ECU	STAY. ECU	1	
	50230	50230-AEC7-E00	LIMIT VELOCITY PLATE	LIMIT VELOCITY PLATE	1	
	50614	50614-ALC1-E00	STAY R FLOOR PANEL	STAY R FLOOR PANEL	1	
	50615	50615-ALC1-E00	STAY L FLOOR PANEL	STAY L FLOOR PANEL	1	
**	77330	77330-AEC8-E00	CARRIER RR RACK	CARRIER RR RACK	1	
	77430	77430-ALC1-E01	CARRIER FR RACK	CARRIER FR RACK	1	
	81202	81202-LDB5-E00	STAY NUMBER PLATE	STAY NUMBER PLATE	1	
	85100	85100-ALC1-E00	PIPE COMP FR BUMPER	PIPE COMP FR BUMPER	1	
	85300	85300-ALC1-E00	SUPPORT PIPE COMP RACK	SUPPORT PIPE COMP RACK	1	
	90301	90301-6C93-001	NUT 6MM OPENSTAY	NUT 6MM OPENSTAY	3	
	90304	90304-GLW0-90A	NUT U FLANGE 10MM	NUT U FLANGE 10MM	7	
	93500	93500-05010-0F	SCREW PAN 5X10	SCREW PAN 5X10	2	
	94050-06080	94050-06080	NUT FLANGE 6MM	NUT FLANGE 6MM	2	
	94050-08080	94050-08080	NUT FLANGE 8MM	NUT FLANGE 8MM	4	
	95701-08016	95701-08016-06	BOLT FLANGE 8*16	BOLT FLANGE 8*16	22	
	95701-08025	95701-08025-06	BOLT FLANGE 8*25	BOLT FLANGE 8*25	4	
	95701-KKA8	95701-KKA8-900	BOLT TORQUE	BOLT TORQUE	2	



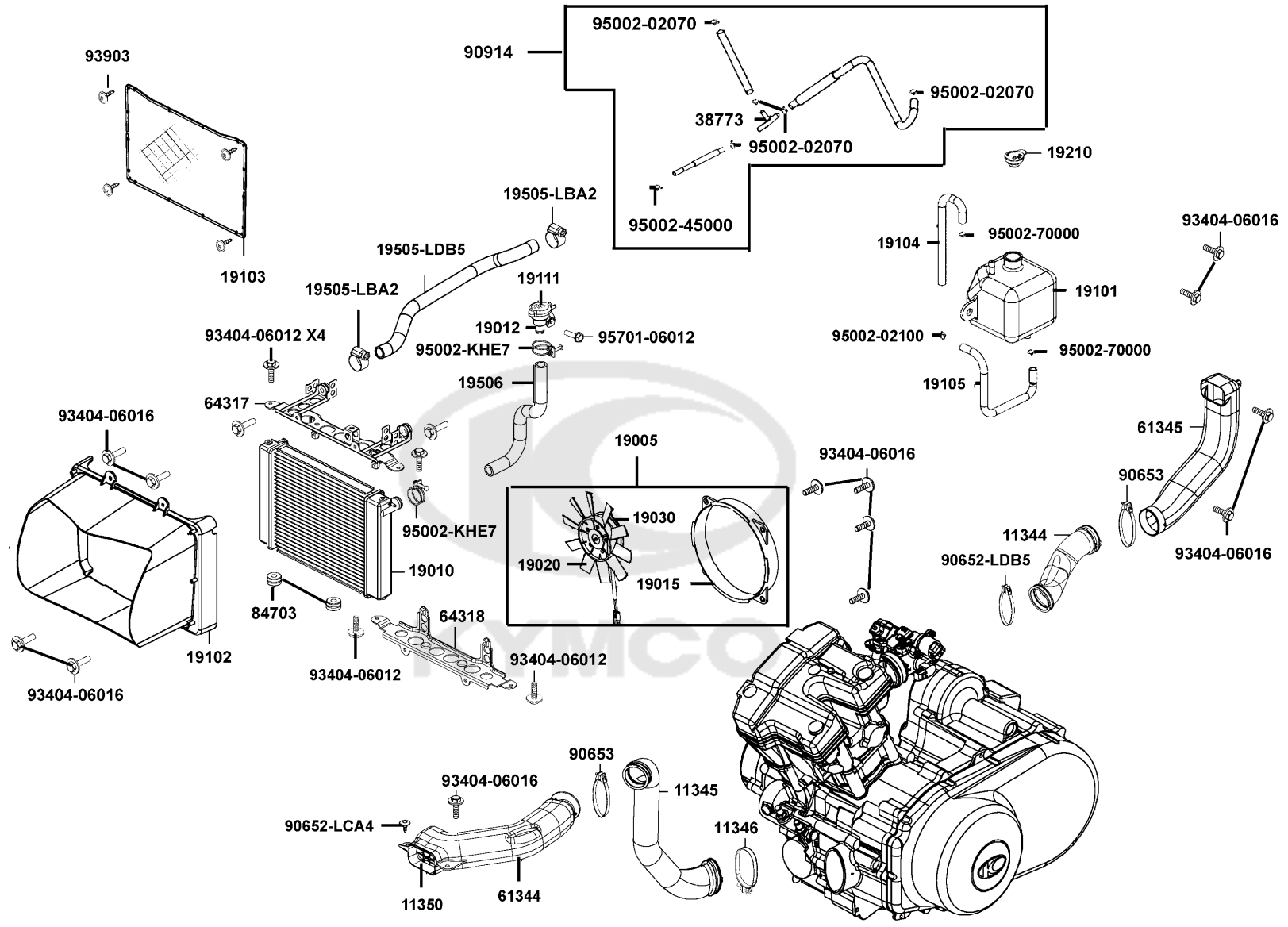
Sales mark	Ref no	Part no	Description	Reg description	Regd no	F21
	95801-10090	95801-10090-06	BOLT FLANGE 10*90	BOLT FLANGE 10*90	1	
	95801-10110	95801-10110-06	BOLT FLANGE 10*110	BOLT FLANGE 10*110	2	
	95801-10120	95801-10120-06	BOLT FLANGE 10*120	BOLT FLANGE 10*120	2	
	95801-10195	95801-10195-06	BOLT FLANGE 10*195	BOLT FLANGE 10*195	2	
						

F22

Radiator



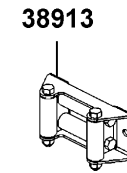
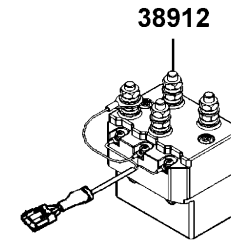
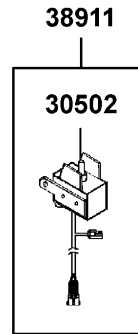
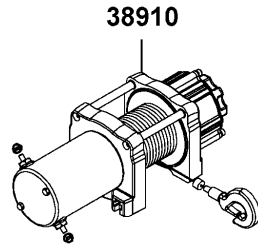
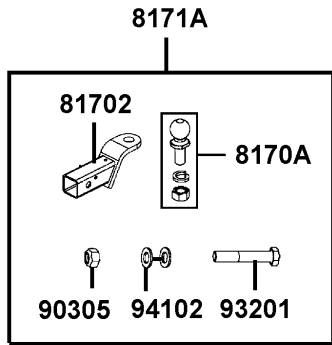
Sales mark	Ref no	Part no	Description	Reg description	Regd no	F22
	11344	11344-ALC1-E00	DUCT B L COVER	DUCT B L COVER	1	
	11345	11345-LFE9-E00	DUCT A L CASE	DUCT A L CASE	1	
	11346	11346-LDB5-E00	BAND 56*96 FRONT CVT	BAND 56*96 FRONT CVT	1	
	11350	11350-LDB5-E00	ELEMENT DUCT A L COVER	ELEMENT DUCT A L COVER	1	
	19005	19005-LDB5-E00	SHROUD ASSY	SHROUD ASSY	2	
	19010	19010-PRB2-900	RADIATOR COMP.	RADIATOR COMP.	1	
	19012	19012-KHD8-900	UNIT RADIATOR	UNIT RADIATOR	1	
	19015	19015-LBA2-E00	SHROUD COMP	SHROUD COMP	1	
	19020	19020-LBA2-E00	FAN COOLING	FAN COOLING	1	
	19030	19030-LDB5-E00	MOTOR ASSY FAN	MOTOR ASSY FAN	1	
	19101	19101-LFE9-E00	TANK RESERVE	TANK RESERVE	1	
**	19102	19102-ALC1-E00	DUCT COOLING AIR	DUCT COOLING AIR	1	
	19103	19103-ALC1-E00	GRID RADIATOR	GRID RADIATOR	1	
	19104	19104-LDB5-E00	HOSE ASSY DRAIN	HOSE ASSY DRAIN	1	
	19105	19105-LDB5-E00	HOSE ASSY RESERVE TANK-PRESSURE	HOSE ASSY RESERVE TANK-PRESSURE	1	
	19111	19111-GBE2-004	CAP COMP	CAP COMP	1	
	19210	19210-KKC4-900	CAP RESERVE TANK	CAP RESERVE TANK	1	
	19505-LBA2	19505-LBA2-E00	CLAMP WATER HOSE	CLAMP WATER HOSE	2	
	19505-LDB5	19505-LDB5-E00	HOSE WATER F ENG-RADIATOR	HOSE WATER F ENG-RADIATOR	1	
	19506	19506-LDB5-E00	HOSE WATER G RADIATOR-PRESSURE	HOSE WATER G RADIATOR-PRESSURE	1	



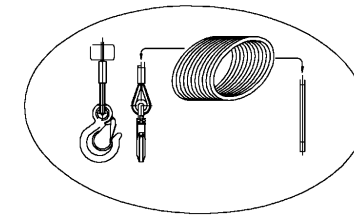
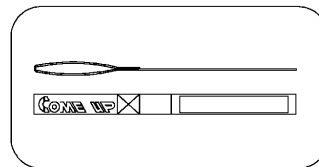
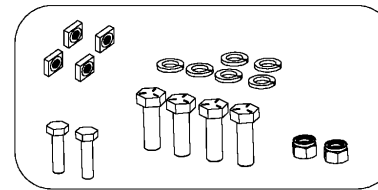
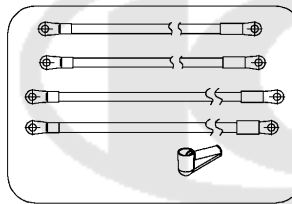
Sales mark	Ref no	Part no	Description	Reg description	Regd no	F22
38773		38773-PKB9-001	JOINT 3 WAY 3.5	JOINT 3 WAY 3.5	1	
61344		61344-LDB5-E00	CHAMBER L COVER DUCT	CHAMBER L COVER DUCT	1	
61345		61345-ALC1-E00	CHAMBER L COVER DUCT B	CHAMBER L COVER DUCT B	1	
64317		64317-LDB5-E00	STAY RADIATOR UPPER	STAY RADIATOR UPPER	1	
64318		64318-LDB5-E00	STAY RADIATOR LOWER	STAY RADIATOR LOWER	1	
84703		84703-LLB1-900	RUBBER TAIL LIGHT	RUBBER TAIL LIGHT	2	
90652-LCA4		90652-LCA4-E00	CLIP MUDGUARD	CLIP MUDGUARD	1	
90652-LDB5		90652-LDB5-E00	BAND 67 FRONT CVT DUCT	BAND 67 FRONT CVT DUCT	1	
90653		90653-LDB5-E00	BAND 81 REAR CVT DUCT	BAND 81 REAR CVT DUCT	1	
90914		90914-LFE9-E00	TUBE ASSY WATER	TUBE ASSY WATER	1	
93404-06012		93404-06012-06	BOLT WASHER 6*12 (G)	BOLT WASHER 6X12	8	
93404-06016		93404-06016-06	BOLT WASHER 6*16	BOLT WASHER 6*16	13	
93903		93903-KEB7-900-06	SCREW WASHER 4*12 (G)	SCREW WASHER 4X12	4	
95002-02070		95002-02070	CLIP B7 TUBE	CLIP B7 TUBE	5	
95002-02100		95002-02100	CLIP B15 TUBE	CLIP B15 TUBE	1	
95002-45000		95002-45000	CLIP C8 TUBE	CLIP C8 TUBE	1	
95002-70000		95002-70000	CLIP C11 TUBE	CLIP C11 TUBE	2	
95002-KHE7		95002-KHE7-900	CLIP WATER HOSE	CLIP WATER HOSE	2	
95701-06012		95701-06012-06	BOLT FLANGE 6*12 **07 C.2005.07.01	BOLT FLANGE 6X12	1	

F23

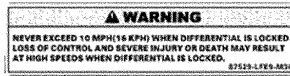
Winch Comp



3890A



Sales mark	Ref no	Part no	Description	Reg description	Regd no	F23
30502		30502-LFE9-E02	SWITCH RUBBER	SWITCH RUBBER	1	
3890A		3890A-AAJ5-E00	ASSY WINCH	ASSY WINCH	1	
38910		38910-LFE9-E02	WINCH COMP	WINCH COMP	1	
38911		38911-LFE9-E02	ROCKER SWITCH CABLE	ROCKER SWITCH CABLE	1	
38912		38912-AAJ5-E00	RELAY ASSY WINCH	RELAY ASSY WINCH	1	
38913		38913-LFE9-E02	ROLLER FAIRLEAD	ROLLER FAIRLEAD	1	
38914		38914-AAJ5-E00	POWER WIRE	POWER WIRE	1	
38916		38916-LFE9-E02	HARDWARE	HARDWARE	1	
38917		38917-LFE9-E02	HOOK PART ACCESSORIES	HOOK PART ACCESSORIES	1	
38918		38918-LFE9-E02	CABLE WIRE	CABLE WIRE	1	
81702		81702-LKA8-E70	HITCH	HITCH	1	
8170A		8170A-LEE8-E00	HITCH BALL ASSY 2"	HITCH BALL ASSY 2"	1	
8171A		8171A-LKA8-E70	HITCH ASSY	HITCH ASSY	1	
90305		90305-LKA8-E70	HEX NUT 16MM	HEX NUT 16MM	1	
93201		93201-16090-0G	HEX BOLT 19*90	HEX BOLT 19*90	1	
94102		94102-16000	WASHER PLAIN 16MM	WASHER PLAIN 16MM	2	



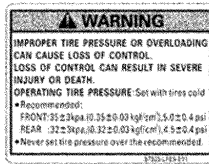
87529



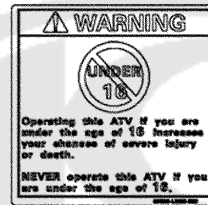
87556-LDB5-E00



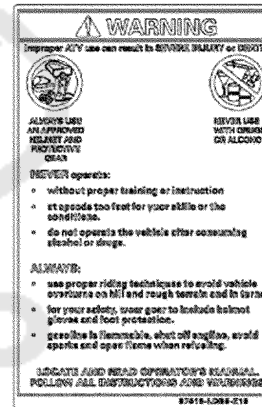
87556-LDB5-E01



87505



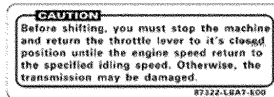
87517



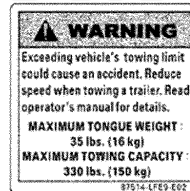
87515



86182



87322

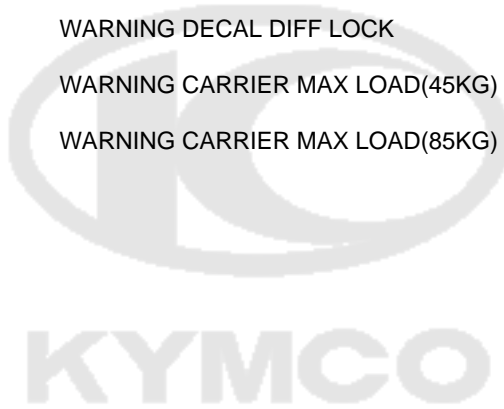


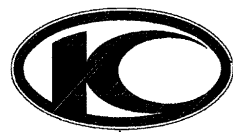
87514



87519

Sales mark	Ref no	Part no	Description	Reg description	Regd no	F24
**	86182	86182-ALC1-EVV	SW LABEL	SW LABEL	1	
**	87322	87322-LBA7-E00	CAUTION SHIFIT GEARS	CAUTION SHIFIT GEARS	1	
**	87505	87505-LFE9-E01	LABEL TIRE ON ROAD	LABEL TIRE ON ROAD	1	
**	87514	87514-LFE9-E02	CAUTION MAXIMUM CAPACITY-ON	CAUTION MAXIMUM CAPACITY-ON ROAD	1	
**	87515	87515-LDB5-E01	DRIVE WARNING LIST-ON ROAD	DRIVE WARNING LIST-ON ROAD	1	
**	87517	87517-LDB5-E00	CAUTION DRIVE AGE 16	CAUTION DRIVE AGE 16	1	
**	87519	87519-AEF2-E00	SPEED LIMIT LABEL	SPEED LIMIT LABEL	1	
**	87529	87529-LFE9-M30	WARNING DECAL DIFF LOCK	WARNING DECAL DIFF LOCK	1	
**	87556-LDB5-E00	87556-LDB5-E00	WARNING CARRIER MAX LOAD(45KG)	WARNING CARRIER MAX LOAD(45KG)	1	
**	87556-LDB5-E01	87556-LDB5-E01	WARNING CARRIER MAX LOAD(85KG)	WARNING CARRIER MAX LOAD(85KG)	1	





87532



86102



86202

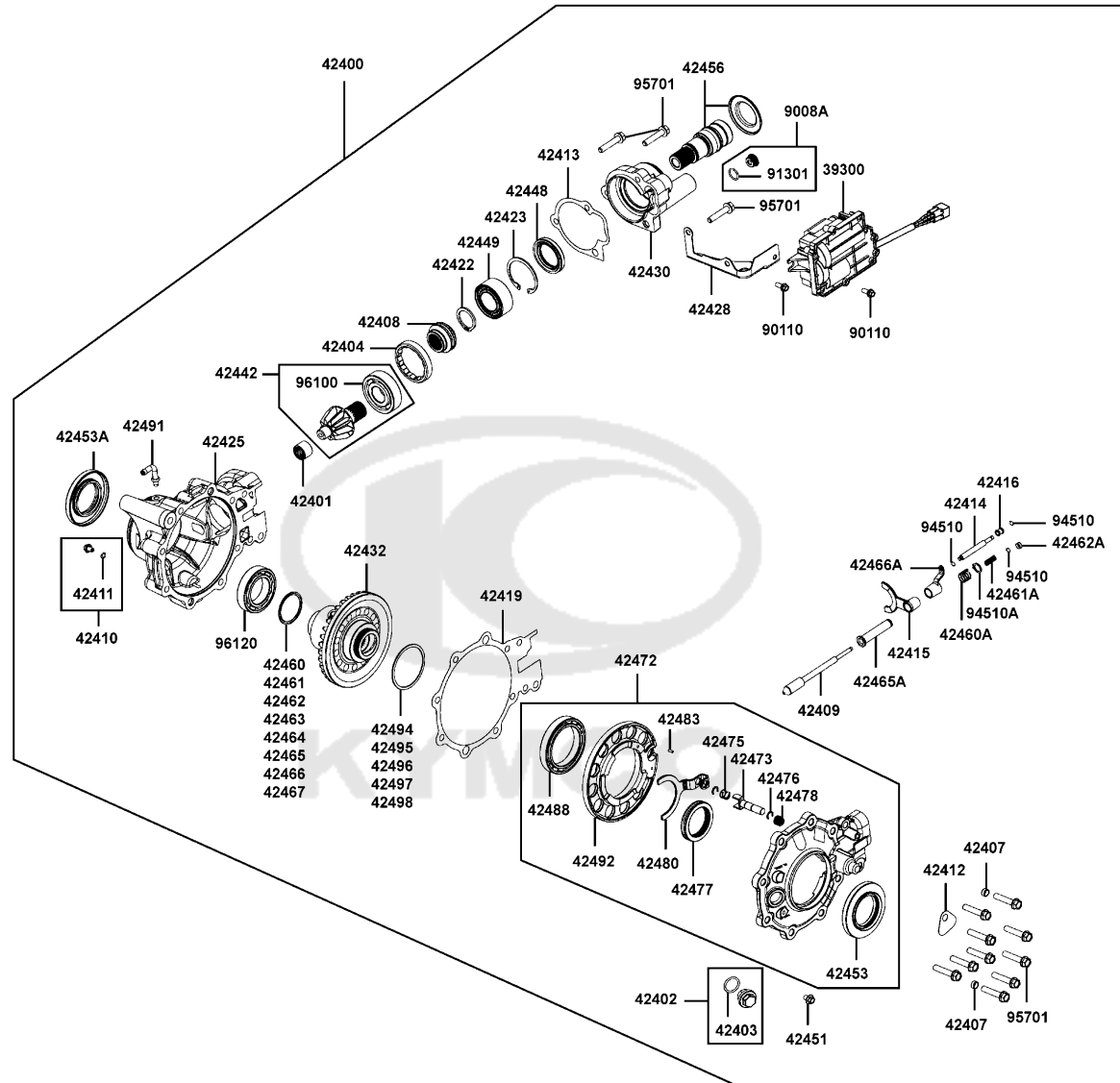
KYMCO

Sales mark	Ref no	Part no	Description	Reg description	Regd no	F25
------------	--------	---------	-------------	-----------------	---------	------------

**	86102	86102-ALC1-E00	EMB K LOGO 50 MM	EMB K LOGO 50 MM	1	
**	86202	86202-AEF2-E60	STRIPE TANK COVER	STRIPE TANK COVER	1	
**	87532	87532-LCA5-900	STRIPE K-LOGO 60MM	STRIPE K-LOGO 60MM	1	

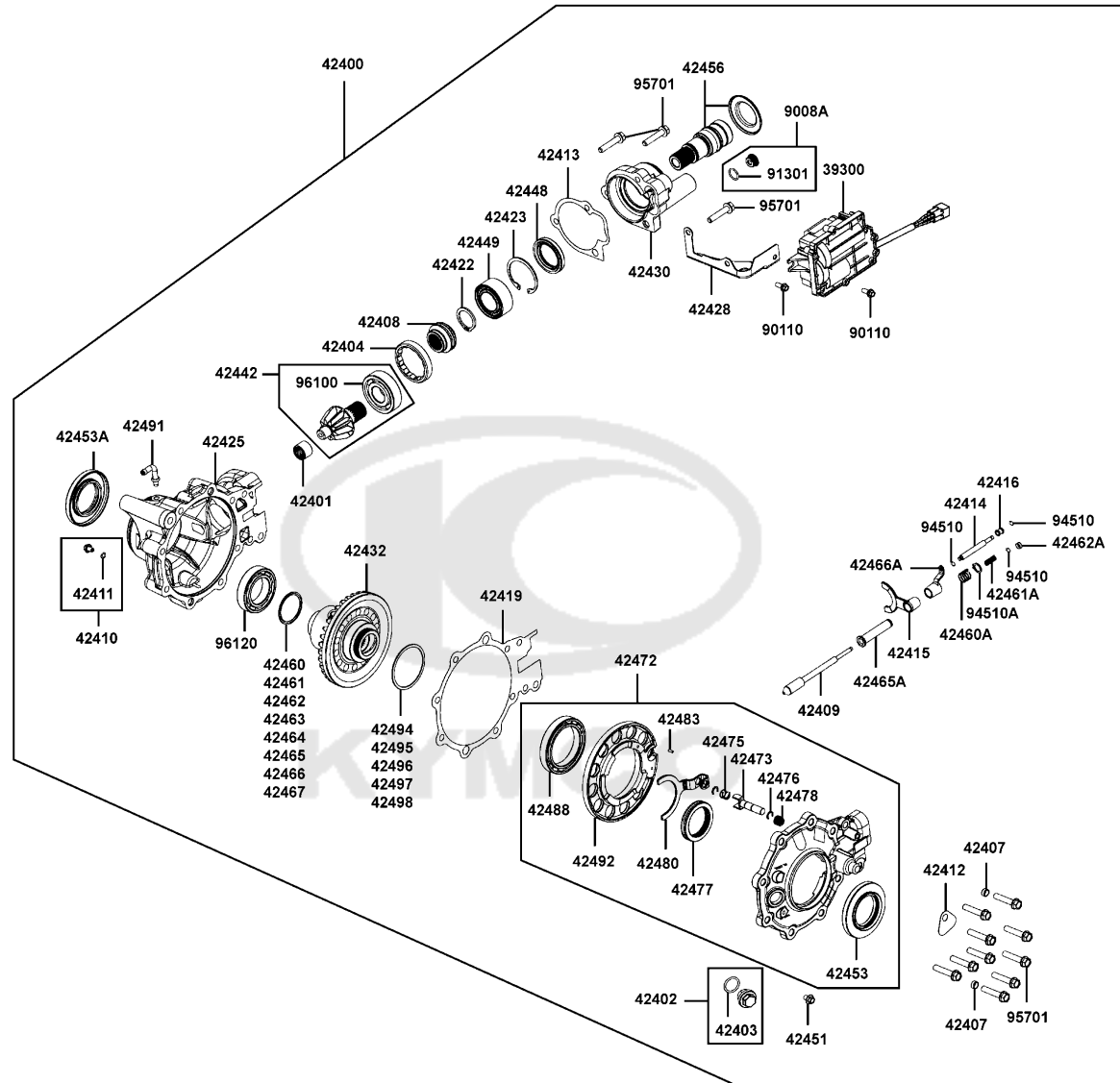


Separated Parts Of Fr Final Differential



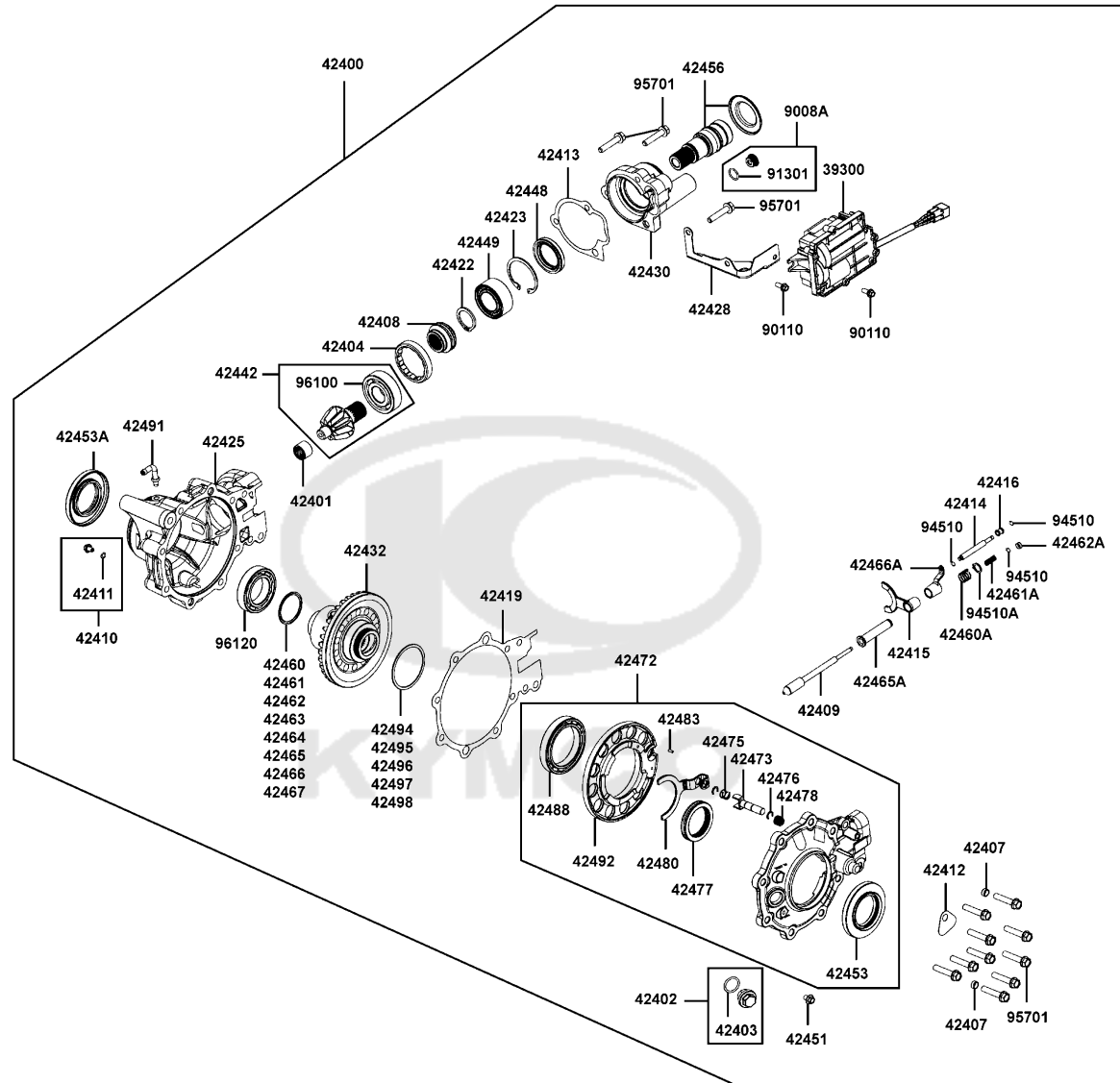
Sales mark	Ref no	Part no	Description	Reg description	Regd no	F26
39300		39300-LKC3-500	ACTUATOR 2x4-LOCK ASSY	ACTUATOR	1	
42400		42400-LKA8-500	E-LOCK GEARCASE FRONT 3.6	E-LOCK GEARCASE FRONT 3.6	1	
42402		42402-LFA5-900	PLUG FILL	PLUG FILL	1	
42403		42403-PWB1-900	O-RING 20X2.5MM	O-RING 20X2.5MM	1	
42404		42404-LFA5-900	COLLAR LOCK M64X1.5 RH	COLLAR LOCK M64X1.5 RH	1	
42407		42407-LFA5-900	PIN DOWEL	PIN DOWEL	1	
42408		42408-LKC3-500	COUPLER DRIVE	COUPLER DRIVE	1	
42409		42409-LKC3-500	SHAFT E-LOCK SELECTOR	SHAFT E-LOCK SELECTOR	1	
42410		42410-LFA5-900	PLUG DRAIN MAG	PLUG DRAIN MAG	1	
42412		42412-LFA5-900	TAG ID GEARCASE	TAG ID GEARCASE	1	
42413		42413-LKC3-500	GASKET FLANGE	GASKET FLANGE	1	
42414		42414-LKC3-500	SHAFT.,SELECTOR	SHAFT SELECTOR	1	
42415		42415-LKC3-500	FORK SELECTOR	FORK SELECTOR	1	
42416		42416-LKC3-500	COLLAR ACTUATOR	COLLAR ACTUATOR	1	
42419		42419-LKC3-500	GASKET HOUSING	GASKET HOUSING	1	
42422		42422-LFA5-900	RING RETAINING ONE	RING RETAINING ONE	1	
42423		42423-LFA5-900	RING RETAINING	RING RETAINING	1	
42425		42425-LKA8-500	HOUSING GEARCASE-FRONT MACH	HOUSING GEARCASE-FRONT MACH	1	
42428		42428-LKC3-500	BRACKET ACTUATOR-WELDMENT	BRACKET ACTUATOR-WELDMENT	1	
42430		42430-LKC3-500	HOUSING PINION-MACH	HOUSING PINION-MACH	1	

Separated Parts Of Fr Final Differential



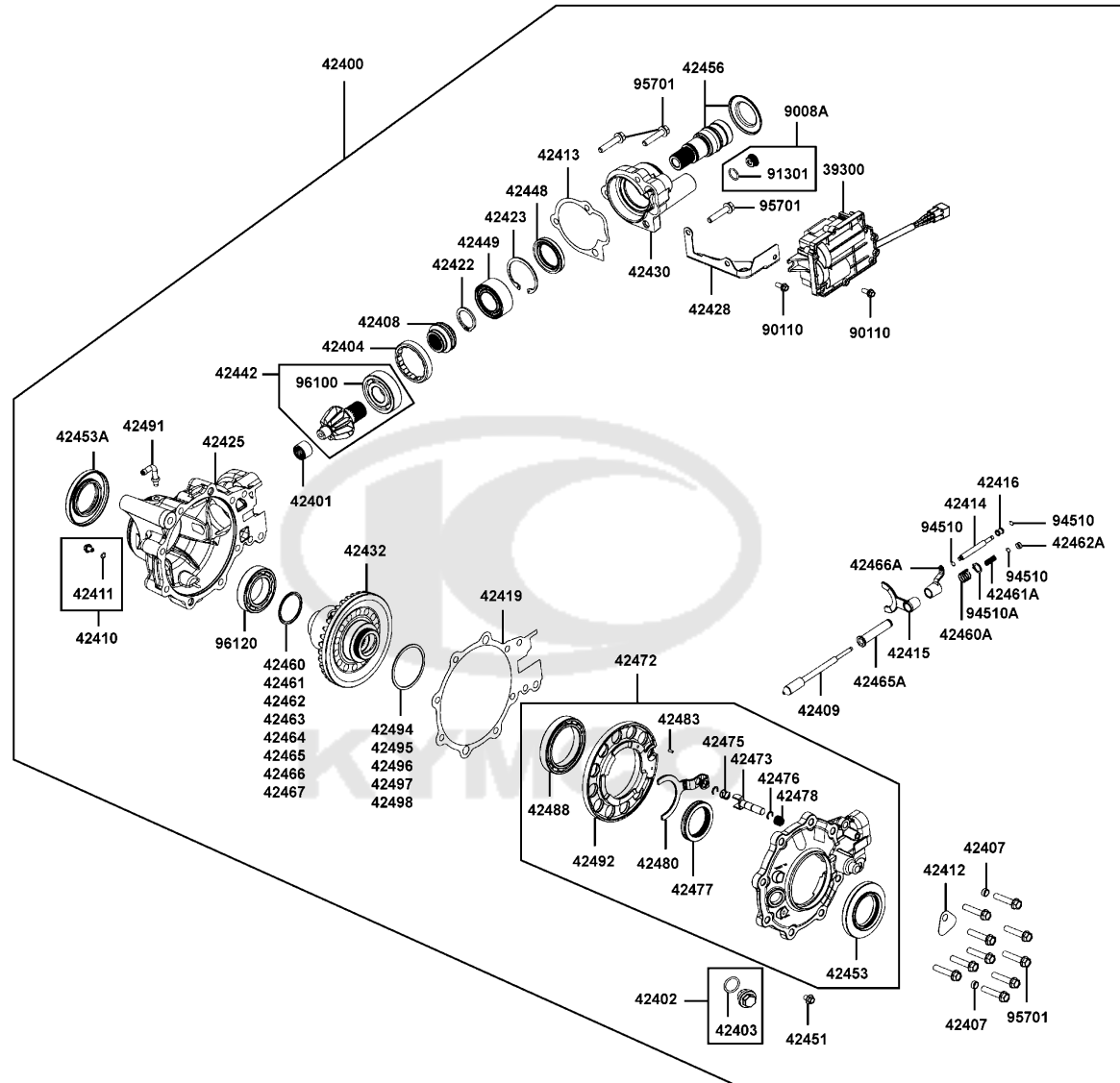
Sales mark	Ref no	Part no	Description	Reg description	Regd no	F26
42432		42432-LEE8-810	E-LOCK.OPEN TYPE GEARCASE	E-LOCK.OPEN TYPE GEARCASE	1	
42442		42442-LKC3-500	PINION(10 TOOTH)-ASSEMBLY	PINION(10 TOOTH)-ASSEMBLY	1	
42448		42448-LFA5-900	SEAL 38*55*14	SEAL 38*55*14	1	
42451		42451-LFA5-900	PLUG OIL LEVEL	PLUG OIL LEVEL	1	
42453A		42453-LGC3-900	OIL SEAL 48*84*9	OIL SEAL 48*84*9	2	
42456		42456-LKM8-510	SHAFT INPUT ASSEMBLY	SHAFT INPUT ASSEMBLY	1	
42460		42460-LFA5-900	SHIM 41*49*1.0	SHIM 41*49*1.0	1	
42460A		42460-LKC3-500	SPRING A E-LOCK	SPRING A E-LOCK	1	
42461		42461-LFA5-900	SHIM 41*49*1.1	SHIM 41*49*1.1	1	
42461A		42461-LKC3-500	SPRING B E-LOCK	SPRING B E-LOCK	1	
42462		42462-LFA5-900	SHIM 41*49*1.2	SHIM 41*49*1.2	1	
42462A		42462-LKC3-500	CAP E-LOCK	CAP E-LOCK	1	
42463		42463-LFA5-900	SHIM 41*49*1.3	SHIM 41*49*1.3	1	
42464		42464-LFA5-900	SHIM 41*49*1.4	SHIM 41*49*1.4	1	
42465		42465-LFA5-900	SHIM 41*49*1.5	SHIM 41*49*1.5	1	
42465A		42465-LKC3-500	SHAFT SELECTOR	SHAFT SELECTOR	1	
42466		42466-LFA5-900	SHIM 41*49*1.6	SHIM 41*49*1.6	1	
42466A		42466-LKC3-500	STAY..SELECTOR	STAY..SELECTOR	1	
42467		42467-LFA5-900	SHIM 41*49*1.7	SHIM 41*49*1.7	1	
42472		42472-LKC3-500	COVEFR LOCK ASSY	COVEFR LOCK ASSY	1	

Separated Parts Of Fr Final Differential



Sales mark	Ref no	Part no	Description	Reg description	Regd no	F26
42473		42473-LKC3-500	SHAFT E-LOCK	SHAFT E-LOCK	1	
42475		42475-LEE8-E00	SPRING	SPRING	1	
42476		42476-LEE8-E00	RING PETAINING	RING PETAINING	1	
42477		42477-LEE8-E00	COLLAR SLDING LOCK	COLLAR SLDING LOCK	1	
42478		42478-LEE8-E00	SPRING SHAFT	SPRING SHAFT	1	
42480		42480-LKC3-500	FORK E-LOCK	FORK E-LOCK	1	
42483		42483-LEE8-E00	PIN PARALLEL	PIN PARALLEL	1	
42488		42488-LEE8-E00	BEARING BALL	BEARING BALL	1	
42491		42491-LEE8-E00	BARB 90	BARB 90	1	
42492		42492-LKC3-500	FLANGE BEARING MACH	FLANGE BEARING MACH	1	
42494		42494-LEE8-E00	SHIM 61*69*1.3mm	SHIM 61*69*1.3mm	1	
42495		42495-LEE8-E00	SHIM 61*69*1.4mm	SHIM 61*69*1.4mm	1	
42496		42496-LEE8-E00	SHIM 61*69*1.5mm	SHIM 61*69*1.5mm	1	
42497		42497-LEE8-E00	SHIM 61*69*1.6mm	SHIM 61*69*1.6mm	1	
42498		42498-LEE8-E00	SHIM 61*69*1.7 mm	SHIM 61*69*1.7 mm	1	
9008A		9008A-LKC3-500	CAP ASSY E-LOCK	CAP ASSY E-LOCK	1	
90110		90110-LFA5-900	BOLT SPECIAL 6X12	BOLT SPECIAL 6X12	1	
91301		91301-LKC3-500	O-RING 14.8X1.9	O-RING 14.8X1.9	1	
94510		94510-05000	CIR CLIP EX5	CIR CLIP EX5	1	
94510A		94510-12000	CIR CLIP EXTERNAL 12	CIR CLIP EXTERNAL 12	1	

Separated Parts Of Fr Final Differential



Sales mark	Ref no	Part no	Description	Reg description	Regd no	F26
------------	--------	---------	-------------	-----------------	---------	------------

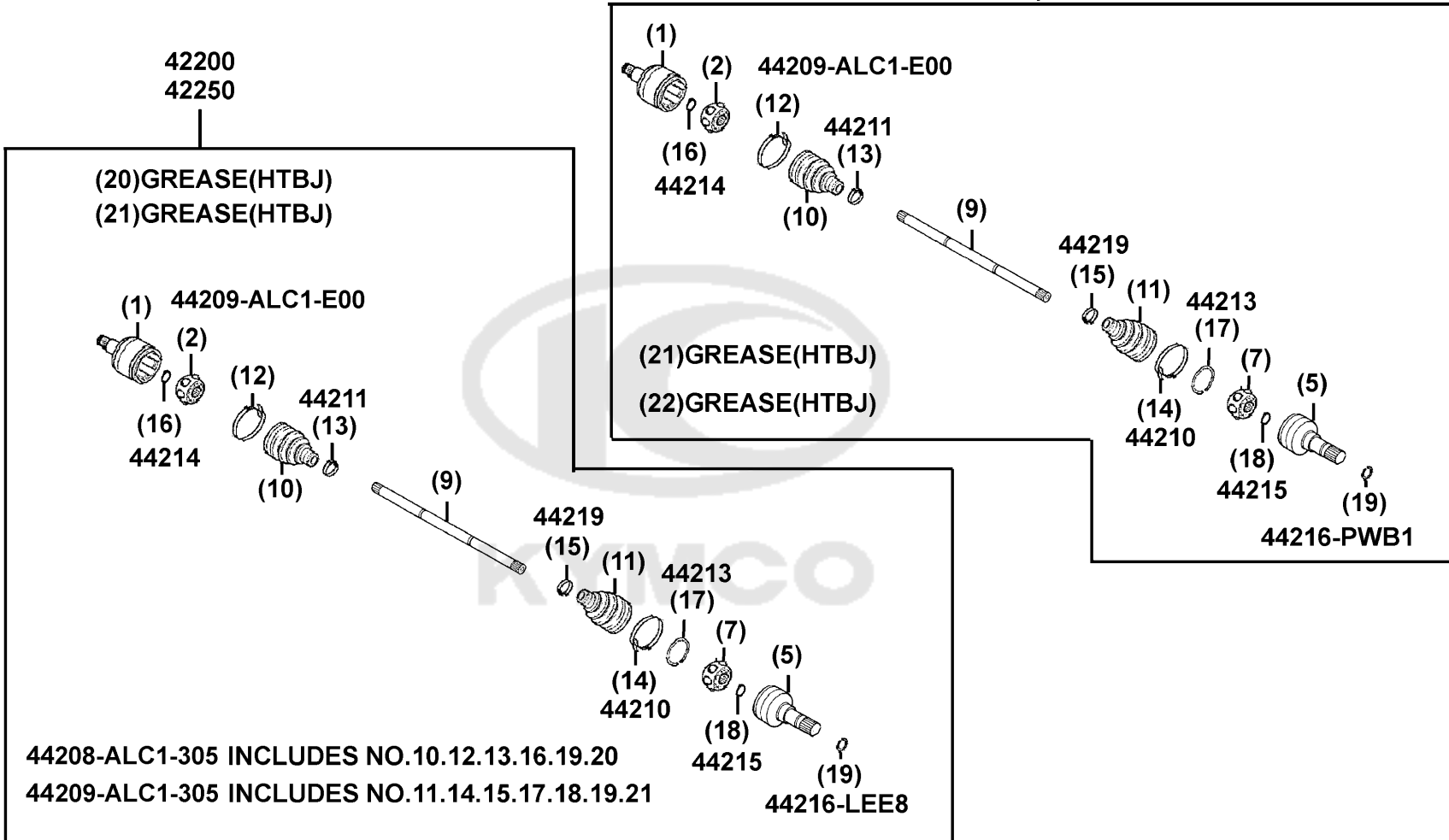
95701		95701-08040-06	BOLT FLANGE 8x40 (G)	BOLT FLANGE 8x40 (G)	1	
96100		96100-63050-00	BRG BALL RADIAL 6305	BRG BALL RADIAL 6305	1	
96120		96120-60080-00	BEARING BALL 6008Z	BEARING BALL 6008Z	1	



Separated Parts Of CVJ

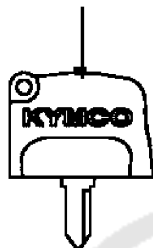
44208-ALC1-305 INCLUDES NO.10.12.13.16.19.20
 44209-ALC1-305 INCLUDES NO.11.14.15.17.18.19.21

44200
 44250



Sales mark	Ref no	Part no	Description	Reg description	Regd no	F27
42200		42200-AEC8-E00	HALF SHAFT REAR-RH	HALF SHAFT REAR-RH	1	
42250		42250-AEC8-E00	HALF SHAFT REAR-LH	HALF SHAFT REAR-LH	1	
44200		44200-ALC1-E00	HALF SHAFT FRONT-RH	HALF SHAFT FRONT-RH	1	
44208-ALC1-305		44208-ALC1-305	WHEEL SIDE BOOT SERVICE KIT	WHEEL SIDE BOOT SERVICE KIT	1	
44209-ALC1-305		44209-ALC1-305	DIFF SIDE BOOT SERVICE KIT	DIFF SIDE BOOT SERVICE KIT	1	
44209-ALC1-E00		44209-ALC1-E00	BOOT BAND (L)	BOOT BAND (L)	2	
44210		44210-ALC1-E00	BOOT BAND (L)	BOOT BAND (L)	2	
44211		44211-ALC1-E00	BOOT BAND(S)	BOOT BAND(S)	2	
44213		44213-PWB1-900	CIRCLIP (DOJ MONTH)	CIRCLIP (DOJ MONTH)	2	
44214		44214-PWB1-900	CIRCLIP	CIRCLIP	2	
44215		44215-PWB1-900	SNAP RING	SNAP RING	2	
44216-LEE8		44216-LEE8-E00	CIRCLIP DOJ STEM	CIRCLIP DOJ STEM	1	
44216-PWB1		44216-PWB1-900	CIRCLIP (DOJ STEM)	CIRCLIP (DOJ STEM)	1	
44219		44219-ALC1-E00	BOOT BAND(S)	BOOT BAND(S)	2	
44250		44250-ALC1-E00	HALF SHAFT FRONT-LH	HALF SHAFT FRONT-LH	1	

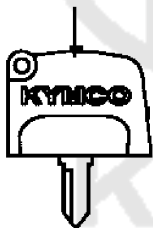
35111-LFA5-305-M2



35111-KUDU-305-M2



35111-LFA5-306-M2



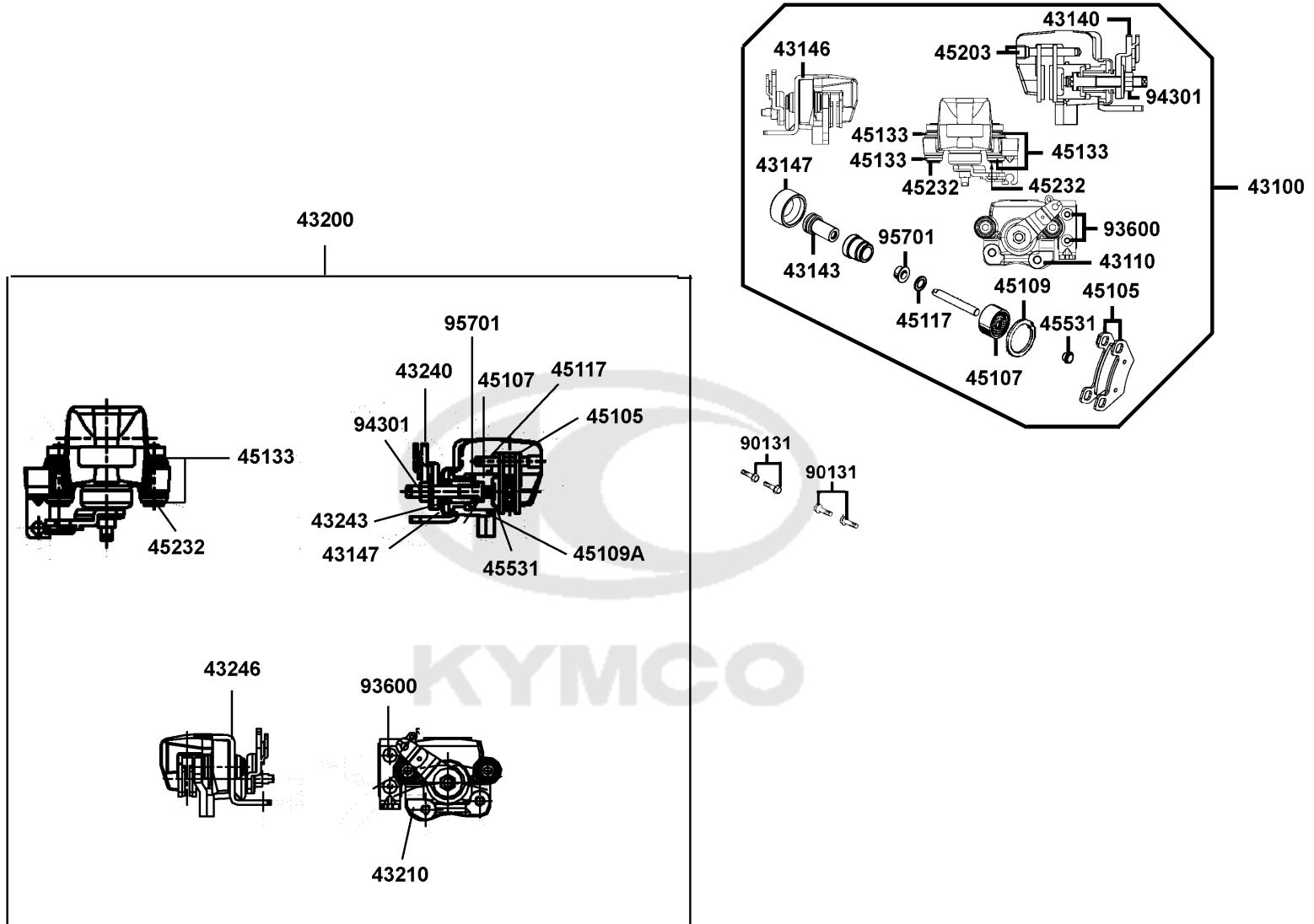
35111-KUDU-306-M2



Sales mark	Ref no	Part no	Description	Reg description	Regd no	F28
------------	--------	---------	-------------	-----------------	---------	------------

	35111-KUDU-305-M2	35111-KUDU-305-M2	KEY COMP (R TANGENT PLANE TJ)	KEY COMP (R TANGENT PLANE TJ)	1	
	35111-KUDU-306-M2	35111-KUDU-306-M2	KEY COMP(L TANGENT PLANE TJ)	KEY COMP(L TANGENT PLANE TJ)	1	
	35111-LFA5-305-M2	35111-LFA5-305-M2	KEY COMP (R TANGENT PLANE/TJ)	KEY COMP (R TANGENT PLANE/TJ)	1	
	35111-LFA5-306-M2	35111-LFA5-306-M2	KEY COMP (L TANGENT PLANE/TJ)	KEY COMP (L TANGENT PLANE/TJ)	1	

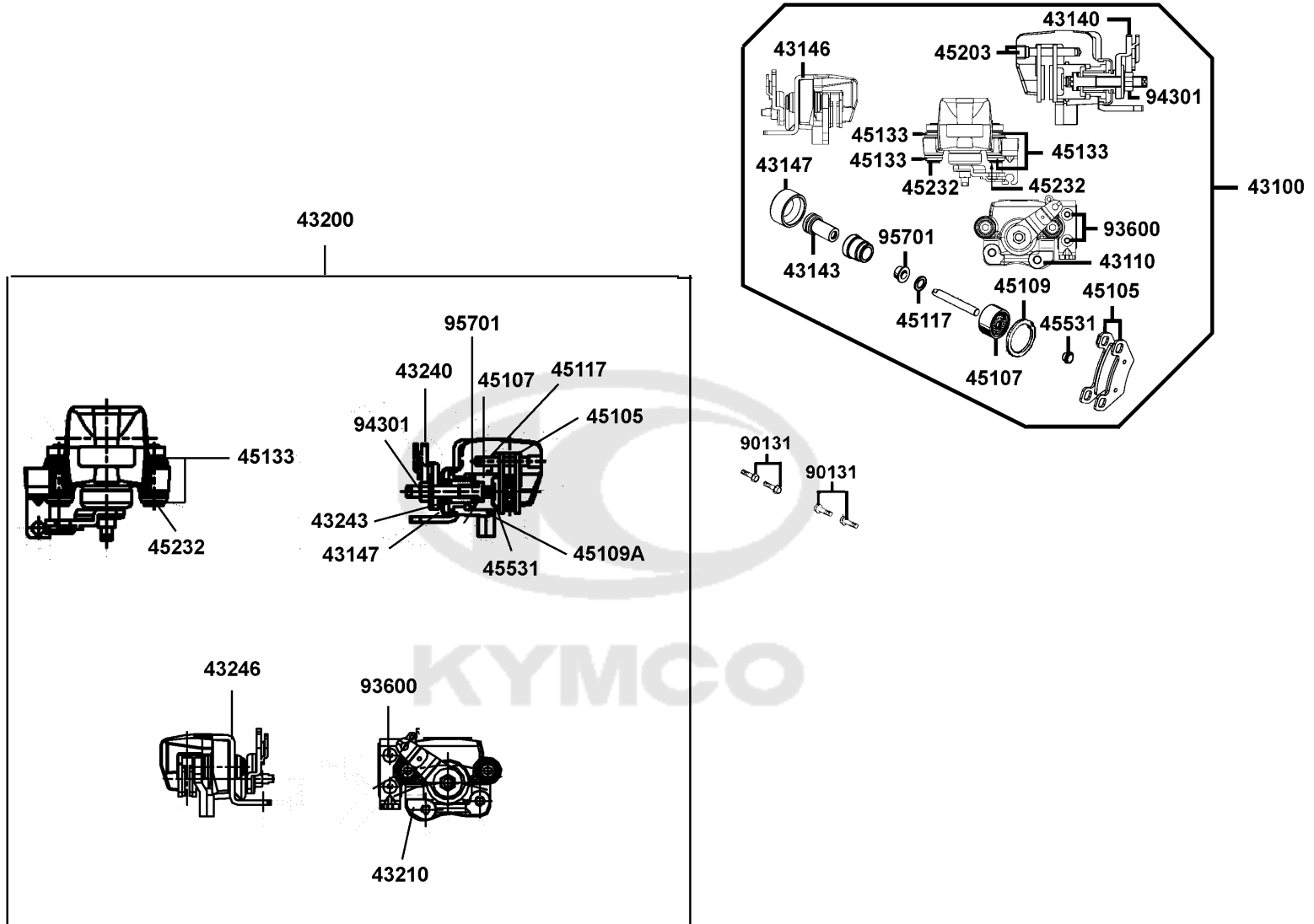




Sales mark	Ref no	Part no	Description	Reg description	Regd no	F29
**	43100	43100-LFA5-E00	CALIPER ASSY REAR	CALIPER ASSY REAR	1	
	43110	43110-LFA5-E00	BRACKET CALIPER	BRACKET CALIPER	1	
	43140	43140-LEC1-E00	ARM BRAKE	ARM BRAKE	1	
	43143	43143-LEC1-E00	BOLT DRIVE	BOLT DRIVE	1	
	43146	43146-LEC1-E00	BRACKET CABLE	BRACKET CABLE	1	
	43147	43147-LEC1-E00	CAP	CAP	2	
**	43200	43200-LFA5-E00	CALIPER ASSY,REAR LH PARKING B	CALIPER ASSY,REAR LH PARKING B	1	
	43210	43210-LFA5-E00	BRACKET CALIPER	BRACKET CALIPER	1	
	43240	43240-LFA5-E00	ARM BRAKE	ARM BRAKE	1	
	43243	43243-LFA5-E00	BOLT DRIVE	BOLT DRIVE	1	
	43246	43246-LFA5-E00	BRACKET CABLE	BRACKET CABLE	1	
	45105	45105-LFA5-305	PAD ASSY	PAD ASSY	2	
	45107	45107-LEC1-E00	PISTON	PISTON	2	
	45109	45109-LEC1-E00	SEAL DUST	SEAL DUST	1	
	45109A	45109-LFA5-E00	SEAL DUST	SEAL DUST	1	
	45117	45117-LEC1-E00	WASHER	WASHER	2	
	45133	45133-LEC1-E00	BOOT	BOOT	8	
	45203	45203-LEC1-E00	PIN HANGER	PIN HANGER	1	
	45232	45232-LEC1-E00	PIN BOLT	PIN BOLT	4	
	45531	45531-LEC1-E00	PLUG	PLUG	2	

F29

Caliper Assy Rear



Sales mark	Ref no	Part no	Description	Reg description	Regd no	F29
------------	--------	---------	-------------	-----------------	---------	------------

90131		90131-LFA5-E00	BOLT FLANGE 8X22	BOLT FLANGE 8X22	4	
93600		93600-LEC1-E00	SCREW FLAT 6MM	SCREW FLAT 6MM	4	
94301		94301-08060	NUT HEC 8MM	NUT HEC 8MM	1	
95701		95701-LEC1-E00	BOLT ADJUST	BOLT ADJUST	2	



PART NO. INDEX

PART NO.	VERSION	PAGE	PART NO.	VERSION	PAGE	PART NO.	VERSION	PAGE
11000			12103-LBA2-E00	1	E03	14000		
1110A-LDB5-E00	0	E01	12191-LDB5-E00	2	E03	14102-LDG7-E00	1	E02
1119A-LDB5-E00	4	E01	12205-KHE8-301	5	E02	14103-GEN5-912	0	E02
11203-LDB5-E00	3	F14	12206-LBA2-E00	3	E02	14104-LBA2-E00	1	E02
11330-LEE8-E00	2	E04	12208-LBA2-E00	3	E02	14105-GEN5-910	0	E02
11341-LDB5-E00	4	E01	12209-GDB4-68B	0	E02	1411A-LBA2-E00	11	E02
11341-LDB5-E00	5	E01	1220A-LKC3-E00	0	E02	1412A-LDG7-E00	4	E02
11344-ALC1-E00	0	F22	1220C-LGC7-305	1	E02	14153-LBA2-E00	3	E02
11345-LFE9-E00	0	F22	12251-LBA2-E00	4	E03	14154-LBA2-E00	1	E02
11346-LDB5-E00	2	F22	12302-LBA2-E00	3	E02	14321-KED9-900	5	E02
11348-LDB5-E00	2	E04	12303-LBA2-E00	3	E02	14321-LBA2-E00	2	E02
11350-LDB5-E00	3	F22	12304-LBA2-E00	1	E02	14401-LBA2-E00	1	E03
11394-LDB5-E00	2	E04	12306-LBA2-E00	0	E02	14451-LBA2-E00	3	E02
11395-LDB5-E00	1	E01	12310-LBA2-E00	2	E02	14510-LDB5-E00	5	E03
11441-LDB5-910	1	E05	12310-LDB5-E00	2	E02	14520-LDB5-E00	4	E03
11442-LDB5-900	3	E05	12361-GFY6-901	1	E01	14523-KED9-900	1	E03
11443-LDB5-900	2	E05	12391-LBA2-E00	1	E02	14531-KED9-900	4	E03
11451-LDB5-E00	4	E05	13000			14546-LBA2-E00	4	E02
11495-LDB5-E00	2	E05	1300A-ALC1-305	0	E03	14552-KGBG-900	2	E02
11496-LDB5-E00	3	E01	13011-LBA2-E0B	0	E03	14610-LBA2-E00	5	E03
12000			13101-LDG7-E00	2	E03	14611-LBA2-E00	3	E02
12100-LDB5-E00	4	E03	13111-LBA2-E00	4	E03	14711-LDG7-900	1	E02
						14721-LBA2-E00	1	E02
						14751-LBA2-E00	1	E02

PART NO. INDEX

PART NO.	VERSION	PAGE	PART NO.	VERSION	PAGE	PART NO.	VERSION	PAGE
14761-LDG7-900	1	E02	16072-PTA1-800	4	E09	17500-LKA8-E00	3	F10
14771-KED9-900	2	E02	16081-LKM5-E00	1	E09	17507-PWB1-900	3	E02
14777-LBA2-E00	3	E02	16100-AED1-E00	7	E09	17522-LLB1-900	1	F10
14781-MFA6-001	0	E02	16110-KGC5-900	1	E09	17524-LLB1-900	1	F10
15000			16113-PTA1-800	4	E09	17531-LGC7-E00	1	F10
			16118-LBF2-900	2	E09	17550-ALC1-E00	4	F10
			16134-LDB5-E00	3	E09	17551-PTA1-800	3	F10
15100-LDB5-E00	5	E06	16137-PTA1-800	2	E09	17556-PTA1-800	1	F10
15133-LBA2-E00	2	E06	1670A-LKA8-E00	2	F10	1755A-LKA8-E00	8	F10
15138-LDB5-E00	4	E06	16771-GKAK-220	1	E09	17561-LKB9-900	1	F10
15141-LDB5-E00	1	E06	16911-LKA8-E00	2	F10	17564-LKA8-E00	0	F10
15200-KED9-900	7	E01	17000			1763A-ALC1-M01	1	F10
1541A-LBA2-E00	2	E01				17700-ALC1-E00	5	F05
15421-1G07-001	1	E01				17703-ALC1-E00	1	F05
15421-LBA2-E00	2	E01	17113-LBA2-E00	2	E02	17704-ALC1-E00	1	F05
15426-GAE1-921	0	E01	1711A-LKC3-E00	0	E02	17720-LBA7-900	1	F05
15520-LDB5-E00	1	E01	17200-ADC1-E00	0	F13	17910-LDB5-E00	4	F03
1565A-PWA1-900	1	E04	17214-LDB5-E00	2	F13	18000		
15661-LBA7-900	1	E01	1721A-LDB5-E00	2	F13			
15711-LDB5-E00	1	E06	17231-ADC1-E00	0	F13			
16000			1723A-ALC1-E00	0	F13	18291-LKM5-E00	2	F14
			17246-LBA7-900	2	F13	1830A-AEF2-E00	2	F14
			17257-ALC1-E00	1	F13	18317-ALC1-E00	0	F14
16053-PTA1-800	2	E09	17265-LBA7-900	1	F13	18318-ALC1-E00	1	F14
16054-PTA1-800	3	E09	17369-KHC4-900	0	F13	18320-AEF2-E00	0	F14
16059-LDB5-E00	4	E09	17372-LEE8-E00	3	E04	18325-AEF2-E00	0	F14

PART NO. INDEX

PART NO.	VERSION	PAGE	PART NO.	VERSION	PAGE	PART NO.	VERSION	PAGE
18328-LDB5-E00	4	F14	19317-LBA2-E00	1	E04	22131-LDB5-E00	3	E05
18371-LBA2-E00	2	F14	19318-LDB5-E00	2	E04	22132-LDB5-E00	2	E05
18391-LBA2-E00	1	F14	19502-LEE8-E00	1	E04	22402-LDB5-E00	0	E05
18532-6D34-671	0	F13	19504-LBA2-E00	3	E04	2261A-LDB5-900	3	E05
18659-ALC1-E00	0	F13	19504-LBA2-E00	3	F10	22631-LDB5-E00	0	E05
			19504-LDB5-E00	3	E04	22641-LDB5-E00	2	E05
19000			19505-LBA2-E00	4	E04	2266A-LDB5-910	2	E05
			19505-LBA2-E00	4	F22			
19005-LDB5-E00	3	F22	19505-LDB5-E00	4	F22	23000		
19010-PRB2-900	0	F22	19506-LDB5-E00	1	F22			
19012-KHD8-900	4	F22	19507-LBA2-E00	1	E04	23010-LFE9-E00	4	E05
19015-LBA2-E00	0	F22	19507-LDB5-E00	1	E04	23100-LDB5-E00	2	E05
19020-LBA2-E00	0	F22	19523-LDB5-E00	2	E04	23200-LDB5-E00	3	E05
19030-LDB5-E00	2	F22				23201-LDB5-E00	0	E05
19101-LFE9-E00	0	F22	21000			23210-LDB5-E00	4	E08
19102-ALC1-E00	2	F22				23220-LDB5-E00	2	E05
19103-ALC1-E00	2	F22	21124-LDB5-E00	0	E05	23225-LDB5-E00	0	E05
19104-LDB5-E00	1	F22				23233-LFE9-E00	3	E05
19105-LDB5-E00	2	F22	22000			23237-LDB5-E00	1	E05
19111-GBE2-004	1	F22				23238-LDB5-E00	1	E05
19200-LEE8-E00	4	E04	22102-LDB5-E00	3	E05	2341A-LDB5-900	2	E07
19210-KKC4-900	0	F22	22105-LDB5-E00	3	E05	23421-LDB5-E00	4	E07
19300-LBA2-E00	1	E04	22110-LDB5-E00	5	E05	23431-LDB5-E00	5	E08
19310-LDB5-E00	2	E04	22121-LFE9-305	0	E05	23450-LDB5-E00	2	E07
19315-LBA2-E00	2	E04	22127-LDB5-E00	0	E05	2345A-LDB5-E00	4	E08
19316-LFE9-E00	0	E04	22128-LDB5-E00	0	E05	23471-LDB5-E00	3	E07

PART NO. INDEX

PART NO.	VERSION	PAGE	PART NO.	VERSION	PAGE	PART NO.	VERSION	PAGE
23473-LDB5-E00	2	E07	24702-ALC1-E00	1	F15			
23481-LDB5-E00	3	E07	24703-LDB5-E00	5	F15	31000		
23500-LDB5-E00	2	E07	24704-LDB5-E00	2	F15			
23510-LDB5-900	2	E07	24705-LDB5-E00	3	F15	31110-LKA8-E0A	4	E06
23518-LKM5-E00	3	E08	24706-LDB5-E00	1	F15	31120-LKA8-E0A	2	E06
23519-LKM5-E00	3	E08	24707-LDB5-E00	7	F15	31210-LBA2-E00	4	E06
23610-LDB5-E00	1	E07	24710-LDB5-E00	2	F15	31350-LDB5-E0A	2	E01
23611-LDB5-E00	8	E07	24711-LDB5-E00	3	F15	31500-LDB5-E0A	5	F11
23612-LDB5-E00	3	E07	24721-LDB5-E00	1	F15	31500-LDB5-E0B	5	F11
23613-LDB5-E00	7	E07	24781-LFA5-E00	0	F15	31600-PRB2-900	1	F20
23614-LDB5-E00	6	E07				31601-LDB5-E00	4	F20
2362A-LDB5-E00	1	E01	28000			3195A-LBA7-E00	1	F20
24000			28100-LKM5-E00	2	E06	32000		
			28103-LDB5-E00	3	E06			
24211-LDB5-E00	4	E07	28110-LKA8-E00	2	E06	32100-AEF2-E01	0	F20
24221-LDB5-E00	2	E07	28120-KKE5-E0A	0	E06	32101-LLB1-800	1	F20
24241-LDB5-E00	1	E07	28210-LDB5-E00	4	E04	32161-4D04-001	2	F03
24242-LDB5-E00	4	E07	28310-LDB5-E00	1	E04	32410-LDB5-E00	2	E06
24251-LDB5-E00	4	E07				32411-ALC1-E00	0	F20
24305-LDB5-E00	2	E07	30000			32412-ALC1-E00	0	E04
2431A-LDB5-E00	4	E07						
24610-LDB5-E00	4	E07	30502-LFE9-E02	0	F23	33000		
24651-LDB5-E00	4	E07	3051A-LKA8-E00	6	F20			
24700-LFE9-E00	2	F15	30700-PTA1-800	5	F20	33100-ALC1-E00	6	F01
24701-LDB5-E00	2	E07				33101-ALC1-E00	0	F01

PART NO. INDEX

PART NO.	VERSION	PAGE	PART NO.	VERSION	PAGE	PART NO.	VERSION	PAGE
33106-ALC1-E00	0	F01	33788-ALC1-E00	0	F19	37000		
33130-ALC1-305	0	F01						
33130-ALC1-E00	0	F01	34000					
33131-ALC1-305	0	F01				37119-ALC1-E00	0	F02
33150-ALC1-E00	6	F01	34300-KKE3-900	4	E09	37200-AEF2-E00	0	F02
33151-ALC1-E00	0	F01	34301-KKE3-900	2	E09	37802-LGC3-E00	1	F10
33400-ALC1-E00	3	F18	34901-KFA6-900	0	F01			
33450-ALC1-E00	3	F18	34903-KPCP-900	0	F19	38000		
33501-ALC1-E00	0	F01						
33502-ALC1-E00	0	F01	35000			38110-LDB5-E00	1	F20
33700-ALC1-E00	4	F19				38200-KHE7-900	0	F20
33701-ALC1-E00	0	F19	35010-ALC1-EV0	0	F20	38300-KKE5-E00	2	F20
33702-ALC1-E00	0	F19	35100-ALC1-305	0	F20	38500-LGL3-90A	5	F20
33706-GCN3-67A	0	F19	35111-KUDU-305-M2	0	F28	38501-LGL3-90A	4	F20
33709-KBAB-003	0	F19	35111-KUDU-306-M2	0	F28	38506-LFB6-900	0	F20
33720-LCA5-E00	2	F19	35111-LFA5-305-M2	0	F28	38773-PKB9-001	0	F22
33725-KHB4-E00	0	F19	35111-LFA5-306-M2	0	F28	3890A-AAJ5-E00	2	F23
33726-LCA5-E00	0	F19	3515A-AED1-E00	2	F03	38910-LFE9-E02	1	F23
33734-AEC9-E00	0	F19	3520A-LDB5-EV0	0	F03	38911-LFE9-E02	4	F23
33741-ALC1-E00	0	F19	35340-LDB5-900	0	F04	38912-AAJ5-E00	1	F23
33749-ALC1-E00	0	F19	35350-KNBN-901	0	F04	38913-LFE9-E02	1	F23
33750-ALC1-E00	4	F19	35350-PWA2-900	1	F15	38914-AAJ5-E00	1	F23
33751-ALC1-E00	0	F19	35357-LDB5-E00	3	F15	38916-LFE9-E02	2	F23
33752-ALC1-E00	0	F19	35380-LDF2-900	2	F20	38917-LFE9-E02	1	F23
33759-ALC1-E00	0	F19	35759-LDB5-E00	5	E01	38918-LFE9-E02	0	F23
33761-PUA6-MX0	0	F19	35850-LDB5-E00	1	F20			

PART NO. INDEX

PART NO.	VERSION	PAGE	PART NO.	VERSION	PAGE	PART NO.	VERSION	PAGE	
39000			40412-LDB5-E00	3	E08	42412-LFA5-900	1	F17	
			40413-ALC1-E00	7	E08	42412-LFA5-900	1	F26	
			40415-LDB5-E00	1	E08	42413-LKC3-500	2	F17	
	39100-LBA7-E00	1	F20	40416-LDB5-E00	1	E08	42413-LKC3-500	2	F26
	3920A-AEF2-E00	0	F20	40420-LFE9-E00	0	E08	42414-LKC3-500	4	F17
	39300-LKC3-500	5	F17			42414-LKC3-500	4	F26	
	39300-LKC3-500	5	F26	42000		42415-ALC1-510	0	F17	
	39300-PTA1-800	1	E02			42415-LKC3-500	1	F26	
	39301-LGC7-E00	1	E02	42200-AEC8-E00	0	F08	42416-LKC3-500	1	F17
	39302-KKE3-900	2	E02	42200-AEC8-E00	0	F27	42416-LKC3-500	1	F26
	39306-LEB2-305	0	E02	42250-AEC8-E00	0	F08	42419-LKC3-500	5	F17
	39307-LEB2-305	0	E02	42250-AEC8-E00	0	F27	42419-LKC3-500	5	F26
	39400-LEA6-800	2	E02	42400-ALC1-510	4	F17	42422-LFA5-900	3	F26
	39450-ZVA6-M00	0	F14	42400-LKA8-500	9	F26	42423-LFA5-900	1	F26
	39500-PTA1-800	1	E09	42402-LFA5-900	2	F17	42425-LKA8-500	7	F17
39700-PTA1-800	1	E09	42402-LFA5-900	2	F26	42425-LKA8-500	7	F26	
40000			42403-PWB1-900	1	F26	42428-LKC3-500	1	F17	
			42404-LFA5-900	2	F17	42428-LKC3-500	1	F26	
			42404-LFA5-900	2	F26	42430-ALC1-510	0	F17	
	40210-LFE9-E00	6	E08	42407-LFA5-900	1	F17	42430-LKC3-500	3	F26
	40211-LCD9-E00	3	E08	42407-LFA5-900	1	F26	42432-LEE8-810	1	F17
	40213-LCD9-E00	2	E08	42408-LKC3-500	0	F26	42432-LEE8-810	1	F26
	40215-LFE9-E00	0	E08	42409-LKC3-500	2	F17	42442-LKC3-500	2	F17
	40401-ALC1-E00	3	E08	42409-LKC3-500	2	F26	42442-LKC3-500	2	F26
	4040A-ALC1-E00	6	E08	42410-LFA5-900	3	F17	42448-ALC1-500	0	F17
	4040A-LDB5-E00	6	E08	42410-LFA5-900	3	F26	42448-LFA5-900	1	F26

PART NO. INDEX

PART NO.	VERSION	PAGE	PART NO.	VERSION	PAGE	PART NO.	VERSION	PAGE
42449-ALC1-500	0	F17	42466-LFA5-900	2	F17	42497-LEE8-E00	0	F26
42451-LFA5-900	3	F17	42466-LFA5-900	2	F26	42498-LEE8-E00	0	F17
42451-LFA5-900	3	F26	42466-LKC3-500	3	F17	42498-LEE8-E00	0	F26
42453-LGC3-900	1	F17	42466-LKC3-500	3	F26	42705-LFE9-E00	2	F08
42453-LGC3-900	1	F26	42467-LFA5-900	2	F17	42710-LKM5-E0A	1	F08
42456-LKM8-510	1	F26	42467-LFA5-900	2	F26	42710-LKM5-E0B	1	F08
42460-LFA5-900	2	F17	42472-LKC3-500	7	F17	42750-LDB1-700	1	F09
42460-LFA5-900	2	F26	42472-LKC3-500	7	F26	42753-KNBN-90B	1	F07
42460-LKC3-500	1	F17	42473-LKC3-500	3	F26	42753-KNBN-90B	1	F08
42460-LKC3-500	1	F26	42475-LEE8-E00	0	F26			
42461-LFA5-900	2	F17	42476-LEE8-E00	0	F26	43000		
42461-LFA5-900	2	F26	42477-LEE8-E00	2	F26			
42461-LKC3-500	1	F17	42478-LEE8-E00	0	F26	43100-LFA5-E00	3	F16
42461-LKC3-500	1	F26	42480-LKC3-500	5	F26	43100-LFA5-E00	3	F29
42462-LFA5-900	2	F17	42483-LEE8-E00	0	F26	43110-LFA5-E00	0	F29
42462-LFA5-900	2	F26	42488-LEE8-E00	0	F17	43125-LFE9-E00	2	F04
42462-LKC3-500	1	F17	42488-LEE8-E00	0	F26	43126-AEC8-E00	0	F04
42462-LKC3-500	1	F26	42491-LEE8-E00	1	F26	43127-AEC8-E00	0	F04
42463-LFA5-900	2	F17	42492-LKC3-500	3	F26	43128-AEC8-E00	2	F04
42463-LFA5-900	2	F26	42494-LEE8-E00	0	F17	43140-LEC1-E00	0	F29
42464-LFA5-900	2	F17	42494-LEE8-E00	0	F26	43143-LEC1-E00	0	F29
42464-LFA5-900	2	F26	42495-LEE8-E00	0	F17	43146-LEC1-E00	0	F29
42465-LFA5-900	2	F17	42495-LEE8-E00	0	F26	43147-LEC1-E00	0	F29
42465-LFA5-900	2	F26	42496-LEE8-E00	0	F17	43200-LFA5-E00	0	F16
42465-LKC3-500	2	F26	42496-LEE8-E00	0	F26	43200-LFA5-E00	0	F29
42465-LKC3-510	2	F17	42497-LEE8-E00	0	F17	43210-LFA5-E00	0	F29

PART NO. INDEX

PART NO.	VERSION	PAGE	PART NO.	VERSION	PAGE	PART NO.	VERSION	PAGE
43240-LFA5-E00	0	F29	44216-PWB1-900	0	F27	45121-PWB1-900	2	F08
43243-LFA5-E00	0	F29	44219-ALC1-E00	0	F27	45124-LFE9-E00	2	F04
43246-LFA5-E00	0	F29	44250-ALC1-E00	3	F07	45127-AEC8-E00	0	F04
43352-KKD6-E90	1	F07	44250-ALC1-E00	3	F27	45128-ALC1-E00	0	F04
43353-4A61-77A	0	F07	44705-LFE9-E00	1	F07	45130-ALC1-E00	0	F04
43450-AEC8-E00	3	F04	4470A-LFA5-E01	2	F07	45132-LBA7-900	1	F04
43500-LFE9-E01	1	F15	4470A-LFA5-E01	2	F08	45132-LDH1-E00	0	F07
43503-LDB5-E00	0	F15	44710-LKM5-E0A	1	F07	45133-LEC1-E00	0	F29
43505-LDB5-E00	0	F15	44710-LKM5-E0B	1	F07	45200-LFE9-E00	4	F07
43514-4E45-77A	0	F15	45000			45200-PWB1-600	2	F08
43530-LFE9-306	0	F04				45203-LEC1-E00	0	F29
43600-LDB5-E00	3	F04				45209-LFE9-E00	0	F07
44000			45100-LFE9-E00	4	F07	45230-PWB1-305	0	F08
			45100-PWB1-600	2	F08	45232-LEC1-E00	0	F29
			45105-LFA5-305	0	F29	45352-PWB1-305	0	F08
44200-ALC1-E00	3	F07	45105-LFE9-305	0	F07	45513-KKC4-900	0	F04
44200-ALC1-E00	3	F27	45105-PWB1-306	0	F08	45517-KFAF-910	0	F04
44208-ALC1-305	0	F27	45107-LEC1-E00	0	F29	45517-PRB3-900	0	F04
44209-ALC1-305	0	F27	45107-LFE9-E00	0	F07	45520-KKC4-900	0	F04
44209-ALC1-E00	0	F27	45107-PWB1-305	0	F08	45525-LBA7-900	0	F04
44210-ALC1-E00	0	F27	45109-LEC1-E00	0	F29	45526-LBA7-900	0	F04
44211-ALC1-E00	0	F27	45109-LFA5-E00	0	F29	45527-LBA7-900	0	F04
44213-PWB1-900	0	F27	45110-LFE9-305	1	F07	45530-LDB5-306	0	F04
44214-PWB1-900	0	F27	45110-PWB1-305	0	F08	45531-GAR1-951	0	F07
44215-PWB1-900	0	F27	45117-LEC1-E00	0	F29	45531-LEC1-E00	0	F29
44216-LEE8-E00	0	F27	45121-PWB1-900	2	F07			

PART NO. INDEX

PART NO.	VERSION	PAGE	PART NO.	VERSION	PAGE	PART NO.	VERSION	PAGE
46000			50000			52108-PWB1-900	3	F06
46182-5L00-014	2	F15	50100-AEF2-E00	0	F21	52108-PWB1-900	3	F16
46500-LFE9-E00	1	F15	50157-AEC9-E00	1	F21	52144-PWB1-900	2	F06
46501-LFE9-E00	0	F15	50166-LLB1-900	3	F12	52144-PWB1-900	2	F16
46502-LDB5-E00	2	F15	50218-LDB5-900	2	F21	52400-ALC1-E00	0	F16
46503-KCW3-001	0	F15	50218-LDB5-E00	9	F21	53000		
46503-LDB5-E00	2	F15	50227-LKA8-E00	1	F21	53100-ALC1-E00	0	F03
46514-LDB5-E00	2	F15	50230-AEC7-E00	0	F21	53102-ALC1-E00	0	F03
			50612-LDB5-E00	4	F12	53104-PWB1-900	2	F03
47000			50614-ALC1-E00	0	F21	53105-PWB1-900	2	F03
47215-KHD6-900	0	F15	50615-ALC1-E00	0	F21	53131-4K39-001	0	F03
47216-LFE9-900	0	F15	50713-LDB5-E00	1	F15	53166-LGC7-E00	0	F03
47400-PWB1-900	4	F06				53175-LDB5-305	0	F04
47410-LDB5-E00	2	F07	51000			53178-KEBE-900	0	F04
47410-LDB5-E00	2	F08	51400-ALC1-E00	1	F06	53190-ALC1-E00	0	F04
47450-PWB1-900	4	F16				53192-PRB3-900	0	F04
47452-PWB1-900	2	F16	52000			53193-PRB3-900	0	F04
47453-PWB1-900	2	F16				53194-PRB3-900	0	F04
47500-PWB1-900	4	F06	52101-LFE9-E00	0	F17	5319A-ALC1-E00	3	F04
47550-PWB1-E00	2	F16	52103-ALC1-E00	0	F06	53200-ALC1-E00	0	F06
			52103-PWB1-900	2	F16	53205-ALC1-EV0	1	F03
			52104-PWB1-900	2	F06	53207-ALC1-600	0	F03
			52104-PWB1-900	2	F16	53250-PWB1-900	1	F06
						53251-LCA5-E00	1	F06

PART NO. INDEX

PART NO.	VERSION	PAGE	PART NO.	VERSION	PAGE	PART NO.	VERSION	PAGE
53252-LBA7-900	4	F06	54620-LFE9-E00	1	F16			
53254-LBA7-900	3	F06				64000		
53261-PWB1-900	3	F06	60000					
53400-ALC1-E01	3	F06				64300-LFE9-E01	1	F05
53410-PRB1-900	4	F06	60100-ALC1-E00	1	F05	64301-ALC1-E00	0	F05
53450-ALC1-E01	5	F06	60101-ALC1-600	0	F05	64317-LDB5-E00	5	F22
53500-ALC1-E01	3	F06	60106-ALC1-E00	0	F05	64318-LDB5-E00	1	F22
53550-ALC1-E01	5	F06	60107-ALC1-E00	0	F05	64330-LFE9-E01	1	F06
53600-KKAK-325	0	F20	60108-ALC1-E00	0	F05	64340-LFE9-E01	1	F06
53700-ALC1-E00	0	F06	60120-ALC1-E00	0	F05			
53701-ALC1-E00	0	F06	60130-LFE9-E01	0	F05	75000		
53702-ALC1-E00	0	F06	60140-LFE9-E01	0	F05			
53702-LBA7-900	1	F15	60150-ALC1-600	0	F05	75581-6C73-001	0	F05
53703-ALC1-E00	0	F06	60160-ALC1-600	0	F05			
53703-LBA7-900	1	F15	60200-ALC1-E00	0	F05	77000		
54000			61000					
54400-AEC8-E00	0	F16	61104-3G57-001	0	F10	77200-ALC1-E00	4	F09
54450-ALC1-E01	3	F16	61200-ALC1-E00	0	F05	77205-2F86-001	1	F09
54500-AEC8-E00	0	F16	61300-ALC1-E00	0	F05	77232-GLW0-318-M2	0	F05
54550-ALC1-E01	3	F16	61344-LDB5-E00	1	F22	77232-GLW0-318-M2	0	F20
54600-LFE9-E00	1	F16	61345-ALC1-E00	0	F22	77301-ALC1-E00	0	F09
54601-LFE9-E00	1	F16				77304-LDB5-E00	0	F09
54602-LFE9-E00	1	F16				77305-LDB5-E00	1	F09
54610-LFE9-E00	1	F16				77330-AEC8-E00	1	F21
						77345-ALC1-E00	0	F05
						77430-ALC1-E01	3	F21

PART NO. INDEX

PART NO.	VERSION	PAGE	PART NO.	VERSION	PAGE	PART NO.	VERSION	PAGE
80000			8171A-LKA8-E70	4	F23	87000		
80100-ALC1-E00	5	F12	83000			87322-LBA7-E00	3	F24
80102-ALC1-E00	0	F12	83500-ALC1-M00	1	F12	87505-LFE9-E01	1	F24
80103-ALC1-E00	0	F12	83600-ALC1-M00	1	F12	87514-LFE9-E02	2	F24
80104-ALC1-E00	0	F12	83602-ALC1-E00	0	F12	87515-LDB5-E01	2	F24
80105-ALC1-E00	0	F12	84000			87517-LDB5-E00	2	F24
80110-LBA7-900	1	F12	84703-LLB1-900	1	F03	87519-AEF2-E00	0	F24
80110-LDB5-900	1	F05	84703-LLB1-900	1	F22	87529-LFE9-M30	1	F24
80110-LDB5-900	1	F12	85000			87532-LCA5-900	1	F25
80115-LDB5-900	1	F05	85100-ALC1-E00	4	F21	87556-LDB5-E00	1	F24
80115-LDB5-900	1	F12	85300-ALC1-E00	1	F21	87556-LDB5-E01	2	F24
80121-ALC1-E00	0	F12	86000			88000		
80122-ALC1-E00	0	F12	86102-ALC1-E00	1	F25	88110-LBA7-E00	1	F03
8013A-LFE9-E00	6	F12	86182-ALC1-EVV	0	F24	88120-LBA7-E00	1	F03
80200-ALC1-E00	5	F12	86202-AEF2-E60	1	F25	89000		
80210-ALC1-E00	1	F12	86302-ALC1-E00	0	F15	89010-LFE9-E00	4	F09
80220-ALC1-E00	1	F12	90000			90001-GBHB-661	3	E03
81000								
81150-LEA7-E00	6	F05						
81202-LDB5-E00	1	F21						
81702-LKA8-E70	4	F23						
8170A-LEE8-E00	1	F23						

PART NO. INDEX

PART NO.	VERSION	PAGE	PART NO.	VERSION	PAGE	PART NO.	VERSION	PAGE
90001-GBHB-661	3	E06	90110-LFA5-900	1	F26	90302-GBR2-001	1	F05
90001-GFY6-901	5	E01	90110-PRB3-900	1	F03	90302-GBR2-001	1	F15
90001-GFY6-901	5	E07	90110-PRB3-900	1	F05	90302-GFY6-940	1	F10
90001-LBA2-E00	4	E02	90110-PRB3-900	1	F12	90302-GFY6-940	1	F19
90002-LBA2-E00	3	E02	90110-PWB1-900	1	F05	90302-LLB1-E00	2	F12
90004-LBA2-E00	3	E01	90110-PWB1-900	1	F12	90302-LLB1-E00	2	F15
90005-KED9-900	2	E03	90114-1F66-007	2	F04	90302-PWA1-900	2	F01
9000A-KTDT-900	1	E01	90114-1F66-007	2	F15	90302-PWA1-900	2	F05
90011-KED9-900	2	E02	90131-LFA5-E00	1	F29	90302-PWA1-900	2	F12
90012-3C33-001	1	E02	90131-PRB3-900	0	F07	90304-GLW0-90A	1	F06
90017-KED9-900	3	E02	90131-PRB3-900	0	F08	90304-GLW0-90A	1	F16
90031-LBA2-E00	3	E02	90133-LDB5-E00	1	E01	90304-GLW0-90A	1	F21
90032-LBA2-E00	3	E02	90145-LBA2-E00	2	F04	90305-LKA8-E70	1	F23
90033-GFY6-900	1	E02	90145-LEA3-E00	1	F04	90306-KLF0-004-SY	1	E01
90071-MLB0-001	0	E06	90164-0H28-900	2	F20	90311-LDB5-E00	1	E08
90083-KED9-900	3	E02	90185-PWB1-900	2	F03	90312-LDB5-E00	1	E08
90084-4H28-001	1	E02	90201-KHR8-75A	1	E04	90313-LDB5-E00	1	E08
90084-4H28-001	1	E04	90202-LDB5-E00	3	E05	90314-LDB5-E00	1	E08
9008A-LKC3-500	1	F17	90203-LDB5-E00	5	E05	90315-LDB5-E00	1	E08
9008A-LKC3-500	1	F26	90203-LDB5-E00	5	E08	90316-LDB5-E00	1	E08
90103-LDB5-E00	0	F14	90205-LDB5-E00	4	E05	90317-LDB5-E00	1	E08
90104-LDB5-E00	0	F14	90206-0A01-001	4	E02	90318-LDB5-E00	1	E08
90105-LFA5-E01	1	F08	90243-LDB5-E00	2	E01	90319-LDB5-E00	1	E08
90106-PWB1-900	1	F07	90301-6C93-001	1	F21	90320-LDB5-E00	1	E08
90106-PWB1-900	1	F08	90301-LDB5-E00	3	F07	90321-LDB5-E00	1	E08
90110-LFA5-900	1	F17	90301-LDB5-E00	3	F08	90322-LDB5-E00	1	E08

PART NO. INDEX

PART NO.	VERSION	PAGE	PART NO.	VERSION	PAGE	PART NO.	VERSION	PAGE
90401-KKJ9-001	0	E04	90651-LCA5-E00	1	F05	91000		
90403-KED9-900	2	E02	90651-LFE9-E00	0	F13			
90405-LDB5-E00	7	E05	90652-LCA4-E00	1	F05			
90406-LDB5-E00	1	E05	90652-LCA4-E00	1	F22	91001-KHV8-004	0	E01
90407-LBA2-E00	3	E01	90652-LDB5-900	3	F05	91005-LDB5-E00	1	E01
90407-LDB5-E00	0	E01	90652-LDB5-900	3	F12	91021-LDB5-E00	2	E05
90408-LDB5-900	3	E05	90652-LDB5-900	3	F18	91021-LDB5-E0A	0	E05
90433-KAM1-001	0	E07	90652-LDB5-E00	3	F22	91106-LDB5-E00	1	E05
90441-LDB5-E00	3	E01	90652-LLJ3-E00	0	F13	91107-LDB5-E00	0	E08
90443-LDB5-E00	2	E01	90652-PWB1-900	1	F15	91201-LCD9-E00	2	E08
90451-LBA7-900	1	E08	90653-LDB5-E00	3	F22	91206-LDB5-E00	0	E01
90451-LDB5-E00	1	E07	90654-LDB5-E00	2	F13	91211-LDB5-E00	1	E05
90452-KED9-900	2	E07	90655-PWA2-900	1	F05	91212-4B22-007	0	F15
90452-LDB5-E00	1	E08	90656-KCBC-900	0	F03	91255-LDB5-E00	2	E01
90454-1G07-001	0	E07	90656-KCBC-900	0	F18	91256-LDB5-E00	2	E01
90465-LBA2-E00	1	E02	90658-PWA2-900	1	F05	91257-LDB5-E00	2	E04
90465-MDC4-001	0	E01	90677-GAR1-004	1	F05	91258-LDB5-900	2	E05
90474-3C33-001	1	E01	90677-GAR1-004	1	F12	91261-LDB5-E00	3	E01
90478-7L00-001	0	E03	90680-LBA2-E00	1	E02	91301-LDB5-E00	1	E04
90488-7L00-001	0	E02	90701-9E65-001	0	E01	91301-LKC3-500	1	F26
90501-3L10-001	0	F15	90701-LDB5-E00	4	E03	91302-0A01-021	0	E01
90501-LDB5-E00	2	E05	90750-LDB5-E00	3	E01	91302-LDB5-E00	2	E08
9052A-LDB5-E00	2	E01	90914-KED9-900	3	E02	91303-3G77-001	0	E02
90541-KED9-900	1	E02	90914-LFE9-E00	0	F22	91303-3G77-001	0	E04
90545-3L00-001	2	F04				91305-GLE0-001	0	E01
90605-KED9-900	2	E07				91306-1E05-691	0	E03

PART NO. INDEX

PART NO.	VERSION	PAGE	PART NO.	VERSION	PAGE	PART NO.	VERSION	PAGE
91307-0E35-001	0	E04	93406-LLB1-900	0	F03			
91308-KED9-900	1	E02	93500-05010-0F	0	F21	94000		
91309-4E25-004	0	E06	93500-05012-0F	0	E09			
91313-KED9-900	3	E01	93600-04012-1G	0	F04	94001-08080-0S	0	F14
91351-LDB5-E00	1	E05	93600-LEC1-E00	0	F29	94001-08080-0S	0	F15
91508-KGV7-67A	0	F19	93600-PRB3-900	0	F04	94001-12080	0	F06
91509-LDB5-E00	6	E01	93890-LDB5-E00	0	F09	94001-LBA7-900	1	F15
			93891-04012-06	0	E09	94001-LGC7-E00	0	F06
92000			93891-04014-06	0	E09	94011-LKA8-E00	1	F06
			93891-04028-06	0	E09	94011-PWB1-900	1	F07
92101-05012-0G	0	E06	93891-ALC1-E00	0	F01	94011-PWB1-900	1	F08
			93893-04012-17	0	F15	94030-PTA1-800	2	E09
93000			93893-04012-18	0	F04	94050-05080	0	F19
			93894-04022-06	1	F20	94050-06060	0	F04
93201-16090-0G	0	F23	93895-ALC1-E00	0	F19	94050-06060	0	F15
93401-04025-06	0	F20	93903-34360	0	F12	94050-06060	0	F20
93404-06012-06	0	F13	93903-34360	0	F19	94050-06080	0	E04
93404-06012-06	0	F15	93903-35260	0	F03	94050-06080	0	E09
93404-06012-06	0	F22	93903-35260	0	F05	94050-06080	0	F10
93404-06016-06	0	F05	93903-35360	0	F02	94050-06080	0	F12
93404-06016-06	0	F06	93903-35360	0	F05	94050-06080	0	F20
93404-06016-06	0	F12	93903-35360	0	F18	94050-06080	0	F21
93404-06016-06	0	F22	93903-KEB7-900-06	1	F22	94050-08080	0	F15
93404-06020-06	1	F20				94050-08080	0	F21
93404-06025-06	0	F12				94050-LDE9-E00	1	F05
93404-KKC2-900	1	F12				94050-LDE9-E00	1	F12

PART NO. INDEX

PART NO.	VERSION	PAGE	PART NO.	VERSION	PAGE	PART NO.	VERSION	PAGE
94101-06800	0	F12	94510-12000	0	F26	95002-KHE7-900	0	F22
94101-08600	0	F03	94510-12000-G	0	F17	95004-LBA7-900	0	F13
94101-LBA2-E00	1	F14	94510-20000	0	E02	95008-ALC1-E00	0	E08
94101-LDB5-E00	0	F14	94510-20000	0	E07	95012-KKA7-900	1	F11
94101-PWB1-900	1	F06	94510-PWB1-900	0	F06	95701-06010-06	1	E02
94102-14800	0	F15	94520-19000	2	E08	95701-06012-06	1	F04
94102-16000	0	F23	94520-47000	0	E04	95701-06012-06	1	F20
94102-LDB5-E00	1	F15	94520-55000	0	F06	95701-06012-06	1	F22
94111-06800	0	E09	94520-55000	0	F16	95701-06016-06	1	E02
94111-08800	0	F15	94520-65000	1	E01	95701-06016-06	1	F15
94201-20120	0	F15	94540-07017	1	E05	95701-06016-06	1	F20
94201-25250	0	F06	94540-12028	0	E07	95701-06022-06	1	E02
94201-25300	0	F15	94540-50029	0	E09	95701-06022-06	1	F10
94201-30400	0	F07	94591-KFBF-900	2	F19	95701-06040-06	0	F04
94201-30400	0	F08	94601-22000	1	E03	95701-08012-06	0	E01
94301-08060	0	F29				95701-08016-06	0	F16
94301-08140	0	E01	95000			95701-08016-06	0	F21
94301-08140	0	E04				95701-08020-06	1	F06
94301-08140	0	E05	95002-02070	0	F22	95701-08020-06	1	F15
94301-08140	0	E06	95002-02090	0	E08	95701-08025-06	0	F21
94301-10160	0	E02	95002-02100	0	F22	95701-08040-06	0	F17
94301-12200	1	E02	95002-02150	0	F13	95701-08040-06	0	F26
94301-12200	1	E03	95002-40950-08	0	E08	95701-10020-06	0	F06
94510-05000	0	F17	95002-45000	0	F22	95701-KKA8-900	0	F21
94510-05000	0	F26	95002-70000	0	F22	95701-LDB5-E00	1	F15
94510-10000	0	E06	95002-KHE7-900	0	E04	95701-LEC1-E00	0	F29

PART NO. INDEX

PART NO.	VERSION	PAGE	PART NO.	VERSION	PAGE	PART NO.	VERSION	PAGE
95801-08028-06	0	F15	96001-06018-06	0	E05	96100-64050-00	1	E01
95801-08060-06	0	F06	96001-06022-06	1	E05	96100-69060-00	1	E04
95801-10030-06	0	F06	96001-06025-06	0	E01	96104-LDB5-90A	1	E05
95801-10040-06	0	F06	96001-06025-06	0	E04	96104-LDB5-90B	1	E05
95801-10040-06	0	F14	96001-06025-06	0	E05	96105-LDB5-90C	0	E05
95801-10040-06	0	F16	96001-06030-06	0	E01	96106-LDB5-E00	1	E01
95801-10065-06	0	F16	96001-06032-06	0	E01	96107-LDB5-E00	1	E01
95801-10085-06	1	F06	96001-06032-06	0	E04	96120-60080-00	0	F17
95801-10085-06	1	F16	96001-06032-06	0	E05	96120-60080-00	0	F26
95801-10090-06	0	F21	96001-06032-06	0	E06	96151-PWB1-900	2	F06
95801-10095-06	0	F16	96001-06035-06	0	E06	96151-PWB1-900	2	F16
95801-10110-06	0	F21	96001-06040-06	0	E01	96201-ACD3-E00	0	F16
95801-10120-06	0	F21	96001-06040-06	0	E03	96211-08000	1	F15
95801-10195-06	0	F21	96001-06040-06	0	E04	96211-16000	2	E01
95801-KED9-900	3	E02	96001-06040-06	0	E06	96600-08010-16	0	E01
95802-PWB1-900	3	F06	96001-06050-06	0	E01	96600-08015-16	0	E06
95802-PWB1-900	3	F16	96001-06080-06	1	E01	96600-08020-16	2	E01
			96001-06085-06	1	E01	96600-LDB5-E00	3	E01
			96001-06090-06	2	E01	96700-06020-06	0	F04
			96001-06110-06	1	E01			
			96100-62040-00	0	E01	98000		
			96100-63030-00	0	E01			
			96100-63040-00	1	E01	98059-57916-00	2	E02
			96100-63050-00	0	F17	98200-31000	1	F20
			96100-63050-00	0	F26	98200-31500	0	F20
			96100-63060-00	0	E01	98200-34000	0	F20