

PARTS CATALOGUE



ATV

LAADGH(PL)

MXU 700 Exi



Release Date : 2017/12/03
Print Date : 2019/03/12

ABOUT THIS PARTS LIST

- This parts list is compiled all service parts for model LAADGH(PL).
- Any difference between color chart and motorcycle will be revised according to motorcycle.
- The Mark:
 1. Marking "***" must add color code in the end before ordering parts.
 2. Marking "#" are parts with modification, Please find the details from e-Parts system.
- When modification or additions to this parts list are made a revised edition at an appropriate time.



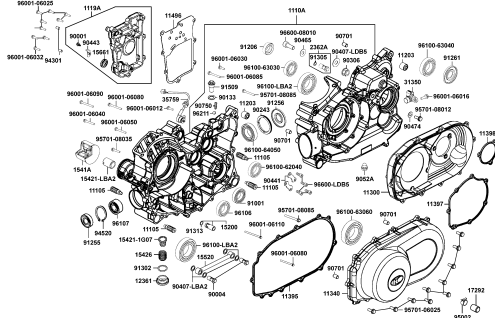
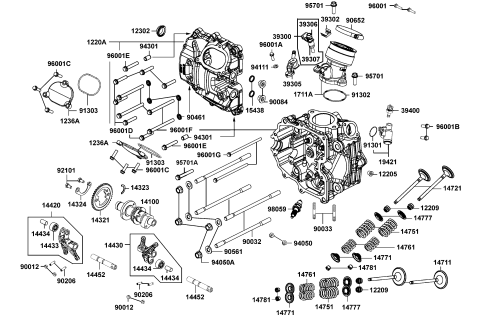
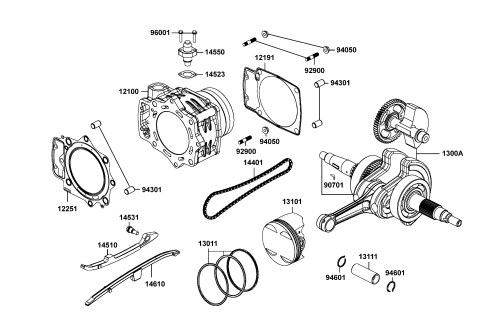
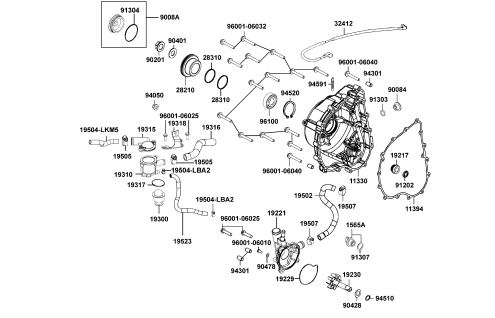
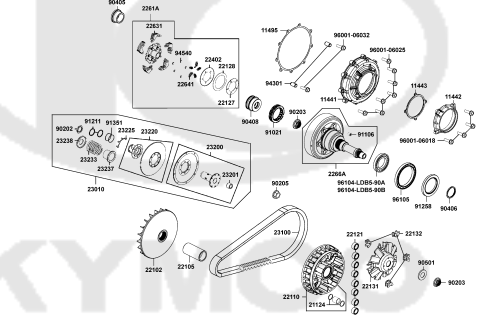
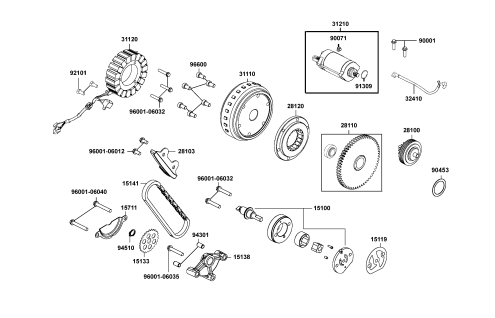
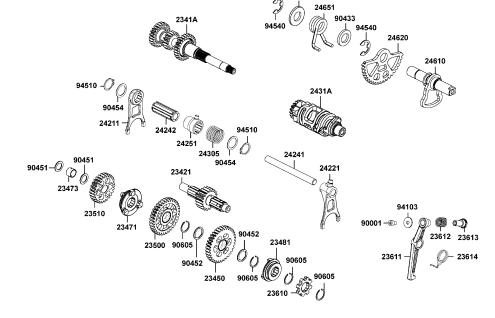
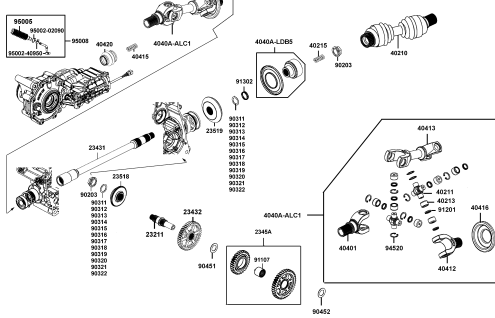
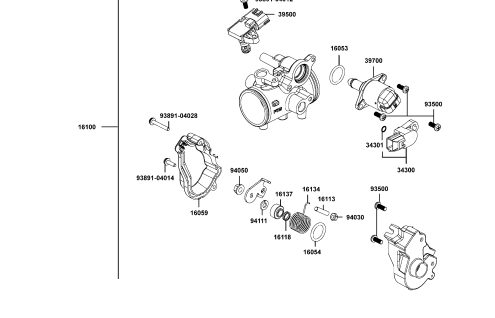
CONTENTS

● ABOUT THIS PARTS LIST	1
● COLOR CHART OF LAADGH(PL)	3
● CONTENTS-ENGINE GROUP	6
● CONTENTS-FRAME GROUP	7
● ENGINE PARTS LIST	11
● FRAME PARTS LIST	55
● PART NO. INDEX	157

NO	MODEL			COLOR CHART OF LAADGH(PL)			
	PHOTO NO			NO. 1	NO. 2		
	BASIC COLOR			Silver Crystal	Mat Black		
	CODE			Silver Crystal	Mat Black		
	PARTS NAME	PARTS NO.	VERSION	NH263MA	NH294FA		
1	TANK COVER R SIDE	17703-ALC1-600	0	HUP	JBP		
2	TANK COVER L SIDE	17704-ALC1-600	0				
3	COVER FR HANDLE	53205-ADG6-E00	1				
4	COVER RR HANDLE	53206-ADG6-E00	0				
5	FENDER FRONT	60100-ALC1-600	0				
6	LID R TOOL BOX	60106-ALC1-600	0				
7	LID L TOOL BOX	60107-ALC1-600	0				
8	FENDER REAR	80100-ALC1-600	2				
9	LEVER SET BRK	53175-LDB5-305	0	M2A			
10	LEVER L STRG HNDL	53178-KEBE-900	0				
11	A-ARM ASSY FRONT	53400-ALC1-E01	3	MAS			
12	A-ARM ASSY FRONT	53450-ALC1-E01	5				
13	A-ARM ASSY FRONT	53500-ALC1-E01	3				
14	A-ARM ASSY FRONT	53550-ALC1-E01	5				
15	CONTROL ARM ASSY	54400-AEC8-E00	0				
16	CONTROL ARM ASSY	54450-ALC1-E01	3				
17	CONTROL ARM ASSY	54500-AEC8-E00	0				
18	CONTROL ARM ASSY	54550-ALC1-E01	3				
19	PANEL TRIM FR	60101-ALC1-600	0	N1P			
20	PANEL R TRIM	60150-ALC1-600	0				
21	PANEL L TRIM	60160-ALC1-600	0				
22	MIRROR ASSY R BACK	88110-LDF3-E01	1				
23	MIRROR ASSY L BACK	88120-LDF3-E01	1	N1R			
24	COVER WIRE STAY	16059-LDB5-E00	4				
25	GUARD FUEL TANK	17550-ALC1-E00	4				
DATE OF STARTING-SALES							
DATE OF END-SALES							

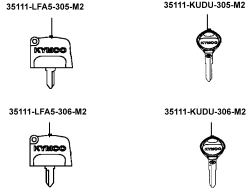
NO	MODEL			COLOR CHART OF LAADGH(PL)							
	PHOTO NO			NO. 1	NO. 2						
	BASIC COLOR			Silver Crystal	Mat Black						
	CODE			Silver Crystal	Mat Black						
	PARTS NAME	PARTS NO.	VERSION	NH263MA	NH294FA						
26	COVER.TANK	17700-ALC1-E00	5	N1R							
27	PROTECTOR R	53207-ADG6-E00	0								
28	PROTECTOR L HANDLE	53208-ADG6-E00	0								
29	GUIDE COVER CHANGE	60120-ALC1-E00	0								
30	PROTECTOR R	60130-LFE9-E01	0								
31	PROTECTOR L	60140-LFE9-E01	0								
32	MUDGUARD FRONT	60200-ALC1-E00	0								
33	MUDGUARD R FR SIDE	61200-ALC1-E00	0								
34	MUDGUARD L FR SIDE	61300-ALC1-E00	0								
35	PLATE SKID	64300-LFE9-E01	1								
36	COVER FRONT	64301-ALC1-E00	0								
37	GUARD R BOOT	64330-LFE9-E01	1								
38	GUARD L BOOT	64340-LFE9-E01	1								
39	PLATE FR CARRIER	77345-ALC1-E00	0								
40	MUDGUARD R FLOOR	80121-ALC1-E30	0								
41	MUDGUARD L FLOOR	80122-ALC1-E30	0								
42	STEP.R FLOOR	80123-LKA8-Y00	0								
43	STEP.L FLOOR	80124-LKA8-Y00	0								
44	MUDGUARD REAR	80200-ALC1-E00	5								
45	MUDGUARD R RR SIDE	80210-ALC1-E00	1								
46	MUDGUARD L RR SIDE	80220-ALC1-E00	1								
47	COVER R SIDE	83500-ALC1-M00	1								
48	COVER L SIDE	83600-ALC1-M00	1								
49	CALIPER ASSY REAR	43100-LFA5-E00	3					NJA			
50	CALIPER ASSY REAR LH	43200-LFA5-E00	0								
DATE OF STARTING-SALES											
DATE OF END-SALES											

CONTENTS - ENGINE GROUP

<p>E01 Crank Case</p> 	<p>E02 Cylinder Head Cover Cylinder</p> 	<p>E03 Cylinder Piston Crankshaft</p> 
<p>E04 Right Crankcase Cover Water</p> 	<p>E05 Drive Pulley</p> 	<p>E06 Starting Motor Generator</p> 
<p>E07 Clutch Assy Primary</p> 	<p>E08 Shaft Reduction</p> 	<p>E09 THROTTLE BODY, ASSY.</p> 

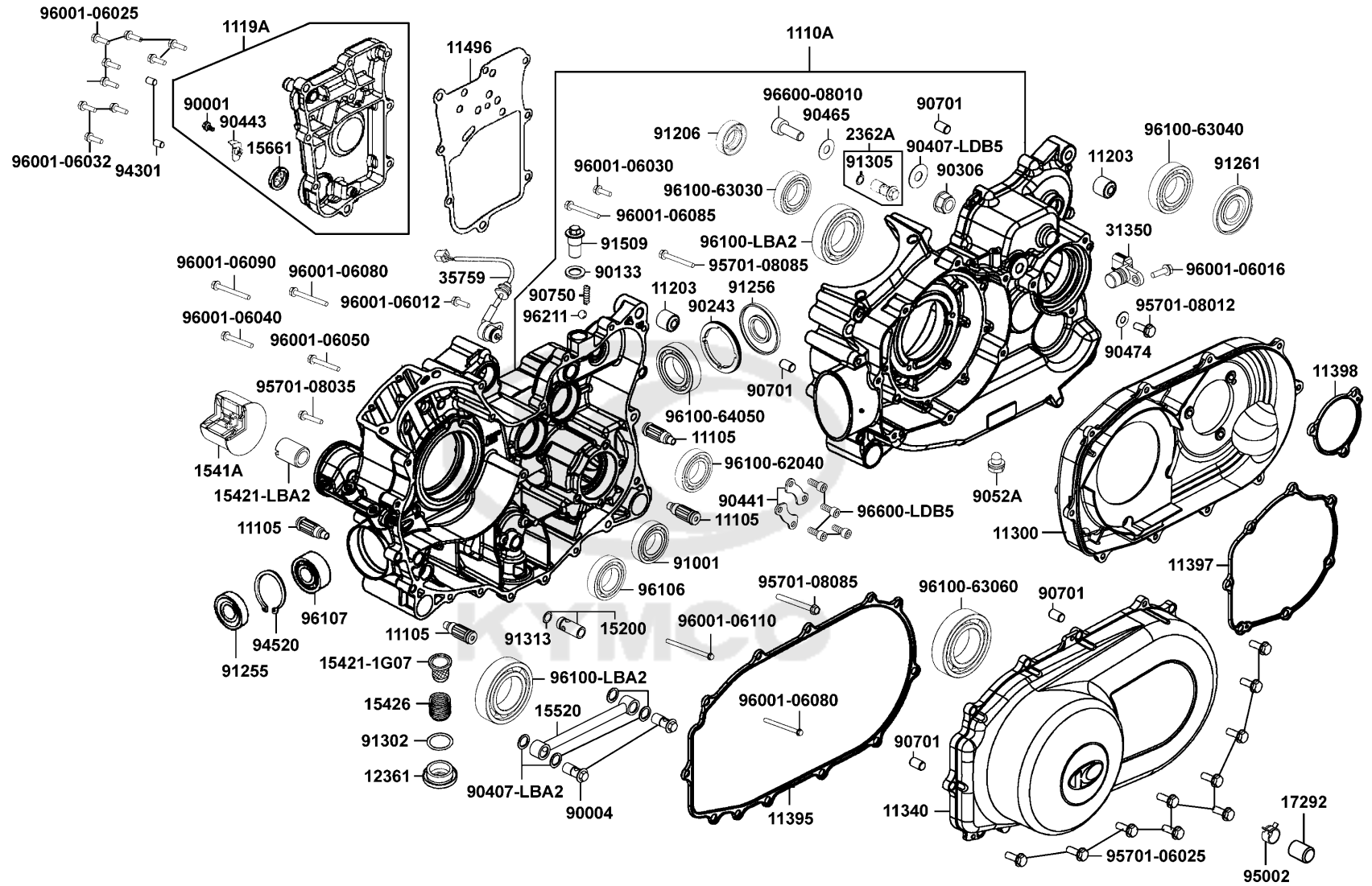
CONTENTS - FRAME GROUP

F28 Key Comp



E01

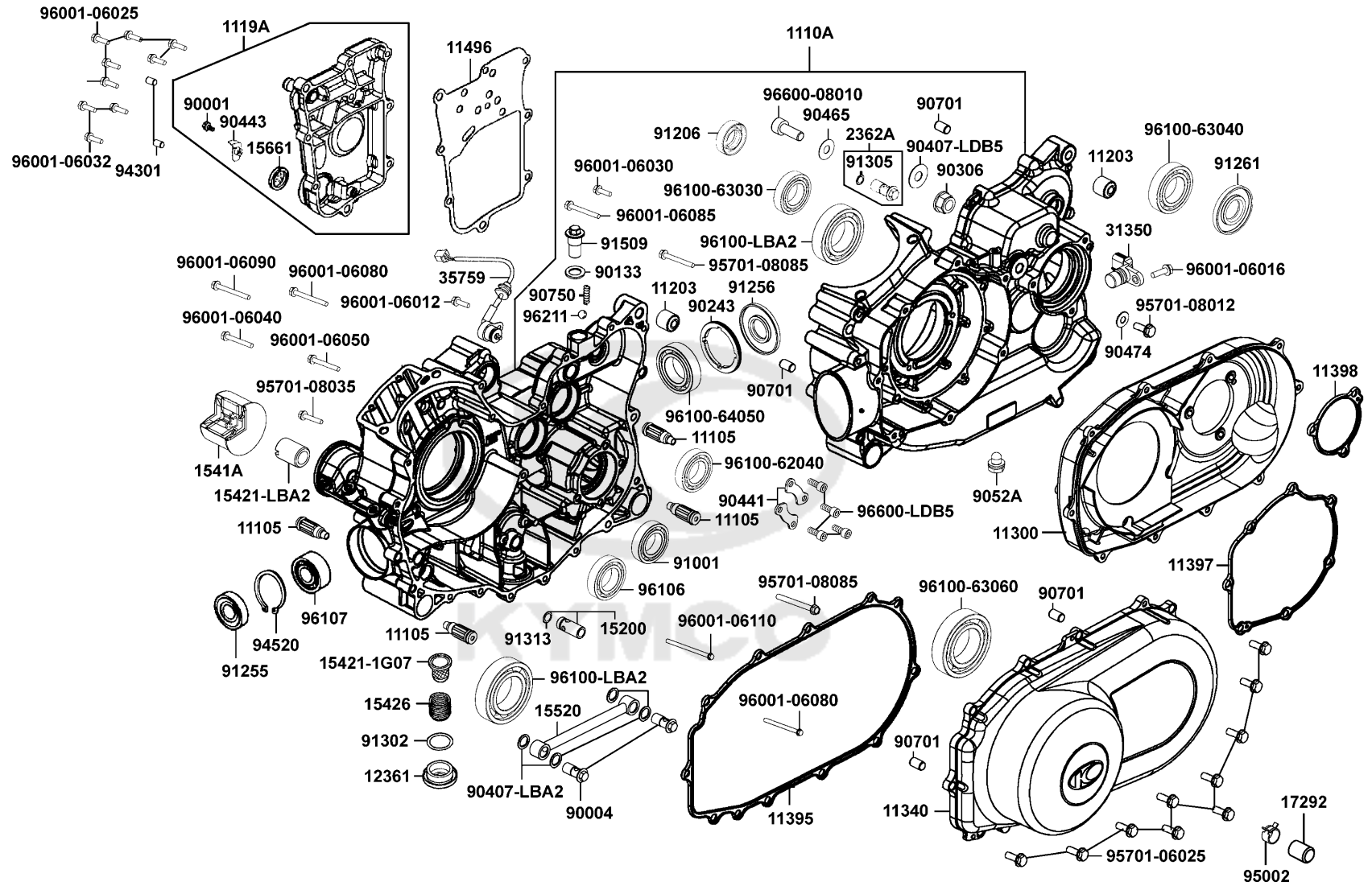
Crank Case



Sales mark	Ref no	Part no	Description	Reg description	Regd no	E01
	11105	11105-LKM5-E00	LONG RUB BUSH ENG HANGER	LONG RUB BUSH ENG HANGER	4	
	1110A	1110A-LKM5-305	CASE R/L ASSY	CASE R/L ASSY	1	
	1119A	1119A-LKM5-E00	CASE ASSY R CASE	CASE ASSY R CASE	1	
	11203	11203-LKM5-E00	UNDER RUBBER BUSH REAR CUSHION	UNDER RUBBER BUSH REAR CUSHION	2	
	11300	11300-LKM5-E00	COVER L SIDE	COVER L SIDE	1	
	11340	11340-LKM5-E00	COVER COMP L CRANK CASE	COVER COMP L CRANK CASE	1	
	11395	11395-LKM5-E00	GASKET L COVER @A	GASKET L COVER @A	1	
	11397	11397-LKM5-E00	GSAKET CVT CASE FRONT	GSAKET CVT CASE FRONT	1	
	11398	11398-LKM5-E00	GASKET CVT CASE REAR	GASKET CVT CASE REAR	1	
	11496	11496-LKM5-E00	GASKET R CASE CAP	GASKET R CASE CAP	1	
	12361	12361-GFY6-901	HOLE CAP TAPPET ADJUSTING	HOLE CAP TAPPET ADJUSTING	1	
	15200	15200-KED9-900	OIL RELIEF VALVE ASSY	OIL RELIEF VALVE ASSY	1	
	1541A	1541A-LBA2-E00	ELEMENT COMP OIL FILTER	ELEMENT COMP OIL FILTER	1	
	15421-1G07	15421-1G07-001	SCREEN OIL FILTER	SCREEN OIL FILTER	1	
	15421-LBA2	15421-LBA2-E00	BOLT OIL FILTER	BOLT OIL FILTER	1	
	15426	15426-GAE1-921	SPG OIL FILTER SCREEN	SPG OIL FILTER SCREEN	1	
	15520	15520-LDB5-E00	PIPE COMP OIL	PIPE COMP OIL	1	
	15661	15661-LBA7-900	FINDER OIL LEVEL	FINDER OIL LEVEL	1	
	17292	17292-PWB1-900	PIPE DRAIN	PIPE DRAIN	1	
	2362A	2362A-LDB5-E00	BOLT ASSY PARK	BOLT ASSY PARK	1	

E01

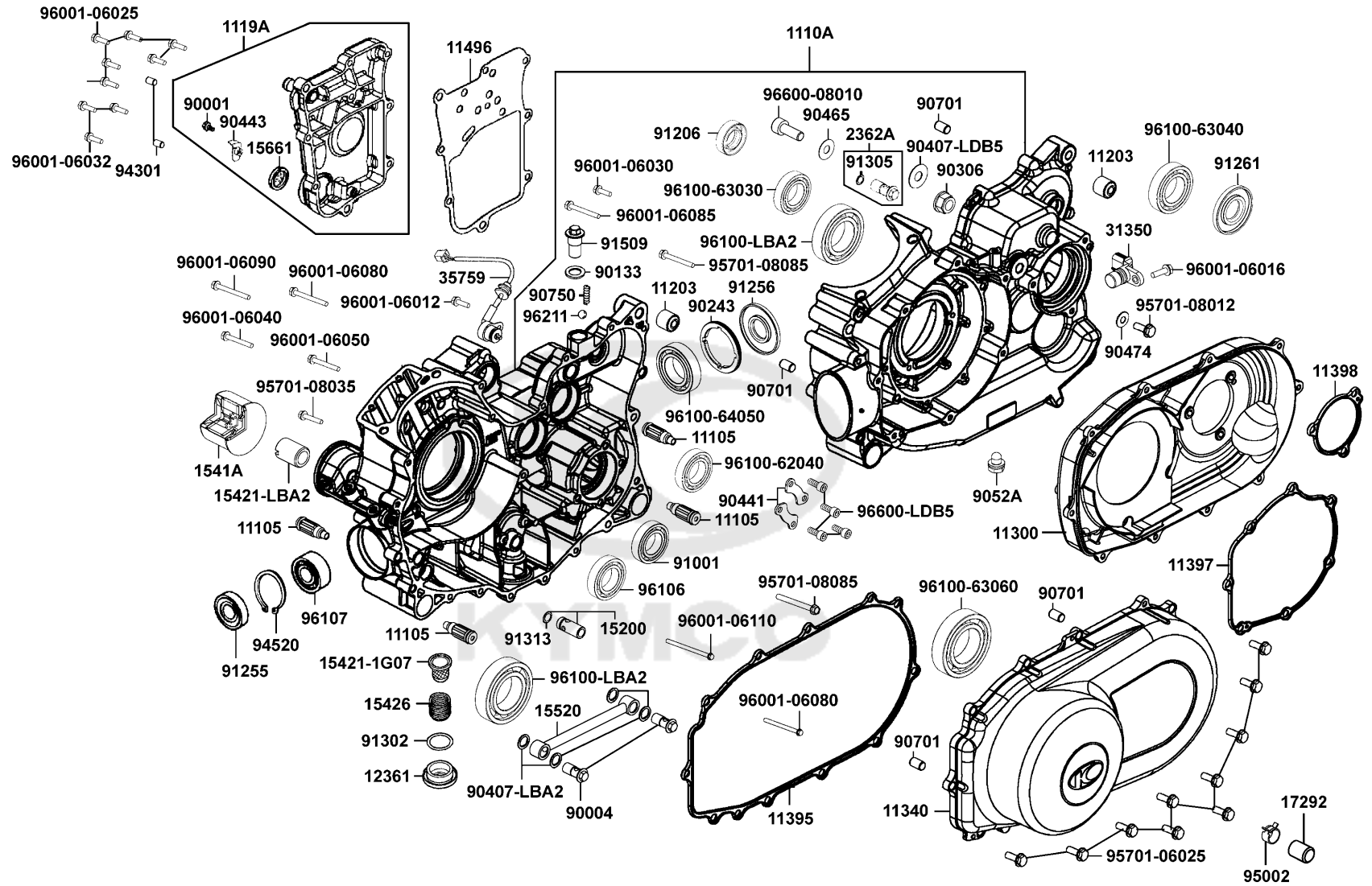
Crank Case



Sales mark	Ref no	Part no	Description	Reg description	Regd no	E01
31350		31350-LDB5-E0A	SENSOR SPEED	SENSOR SPEED	1	
35759		35759-LKM5-E00	SW ASSY GEAR CHANGE	SW ASS'Y GEAR CHANGE	1	
90001		90001-GFY6-901	SOCKET BOLT 6*10 (B)	SOCKET BOLT 6*10 (B)	1	
90004		90004-LBA2-E00	BOLT B OIL PASS	BOLT B OIL PASS	2	
90133		90133-LDB5-E00	WASHER BOLT SEAT	WASHER BOLT SEAT	1	
90243		90243-LDB5-E00	NUT LOCK 85MM	NUT LOCK 85MM	1	
90306		90306-KLF0-004-SY	NUT FLANGE 12MM	NUT FLANGE 12MM	1	
90407-LBA2		90407-LBA2-E00	SEALING WASHER OIL PIPE	SEALING WASHER OIL PIPE	4	
90407-LDB5		90407-LDB5-E00	WASHER THRUST 12*30*1	WASHER THRUST 12*30*1	1	
90441		90441-LDB5-E00	PLATE BRG HOLD	PLATE BRG HOLD	2	
90443		90443-LDB5-E00	PLATE FINDER HOLD	PLATE FINDER HOLD	1	
90465		90465-MDC4-001	WASHER 8MM	WASHER 8MM	1	
90474		90474-3C33-001	WASHER 8MM	WASHER 8MM	1	
9052A		9052A-LDB5-E00	BOLT ASSY DRAIN PLUG	BOLT ASSY DRAIN PLUG	1	
90701		90701-9E65-001	PIN DOWEL 10*16	PIN DOWEL 10*16	4	
90750		90750-LDB5-E00	SPG STOPPER	SPG STOPPER	1	
91001		91001-KFBF-90A	BEARING BALL RADIAL 6305	BEARING BALL RADIAL 6305	1	
91206		91206-LDB5-E00	OIL SEAL 14*24*7	OIL SEAL 14*24*7	1	
91255		91255-LDB5-E00	OIL SEAL 35*67*7	OIL SEAL 35*67*7	1	
91256		91256-LDB5-E00	OIL SEAL 35*90*7	OIL SEAL 35*90*7	1	

E01

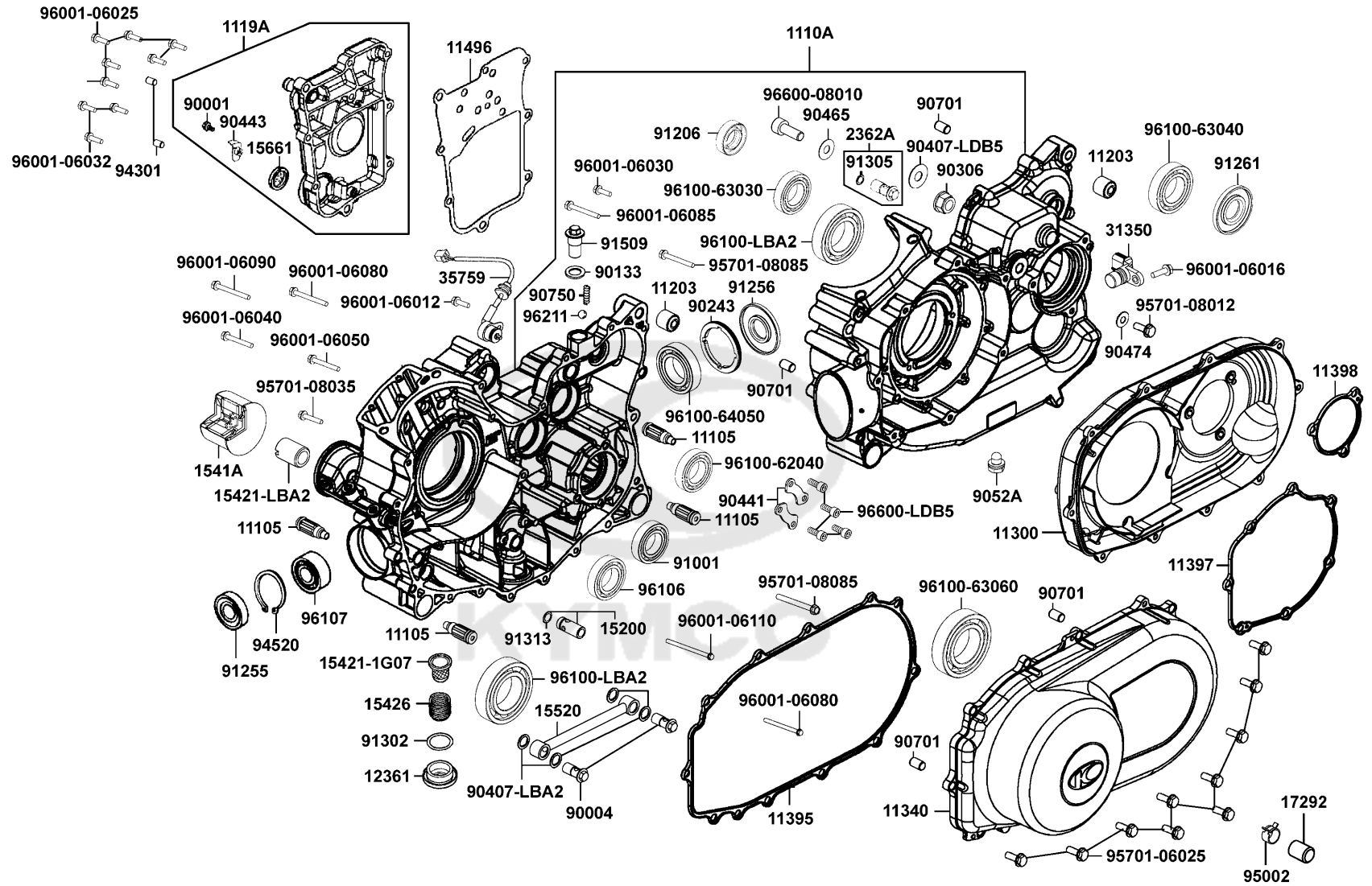
Crank Case



Sales mark	Ref no	Part no	Description	Reg description	Regd no	E01
91261		91261-LDB5-E00	OIL SEAL 30X72X7	OIL SEAL 30X72X7	1	
91302		91302-0A01-021	O-RING 30.8M/M	O-RING 30.8M/M	1	
91305		91305-GLE0-001	O-RING 9*1.7	O-RING 9*1.7	1	
91313		91313-KED9-900	O-RING 15.5*1.5	O-RING 15.5*1.5	1	
91509		91509-LDB5-E00	BOLT STOPPER	BOLT STOPPER	1	
94301		94301-08140	DOWEL PIN 8*14	DOWEL PIN 8*14	2	
94520		94520-65000	CIR CLIP IN 65	CIR CLIP IN 65	1	
95002		95002-LHG8-E00	CLAMP.D14 TUBE	CLAMP.D14 TUBE	1	
95701-06025		95701-06025-06	BOLT FLANGE 6*25	BOLT FLANGE 6*25	1	
95701-08012		95701-08012-06	BOLT FLANGE 8*12	BOLT FLANGE 8*12	1	
95701-08035		95701-08035-06	BOLT FLANGE 8*28	BOLT FLANGE 8*28	1	
95701-08085		95701-08085-06	BOLT FLANGE 8X85	BOLT FLANGE 8X85	1	
96001-06012		96001-06012-06	BOLT FLANGE SH 6*12	BOLT FLANGE SH 6*12	1	
96001-06016		96001-06016-06	BOLT FLANGE SH 6X16	BOLT FLANGE SH 6X16	1	
96001-06025		96001-06025-06	BOLT FLANGE SH 6*25	BOLT FLANGE SH 6*25	1	
96001-06030		96001-06030-06	BOLT FLANGE SH 6X30	BOLT FLANGE SH 6X30	1	
96001-06032		96001-06032-06	BOLT FLANGE 6*32	BOLT FLANGE 6*32	3	
96001-06040		96001-06040-06	BOLT FLANGE SH 6*40	BOLT FLANGE SH 6*40	3	
96001-06050		96001-06050-06	BOLT FLANGE SH 6*50	BOLT FLANGE SH 6*50	1	
96001-06080		96001-06080-06	BOLT FLANGE SH 6X80	BOLT FLANGE SH 6X80	1	

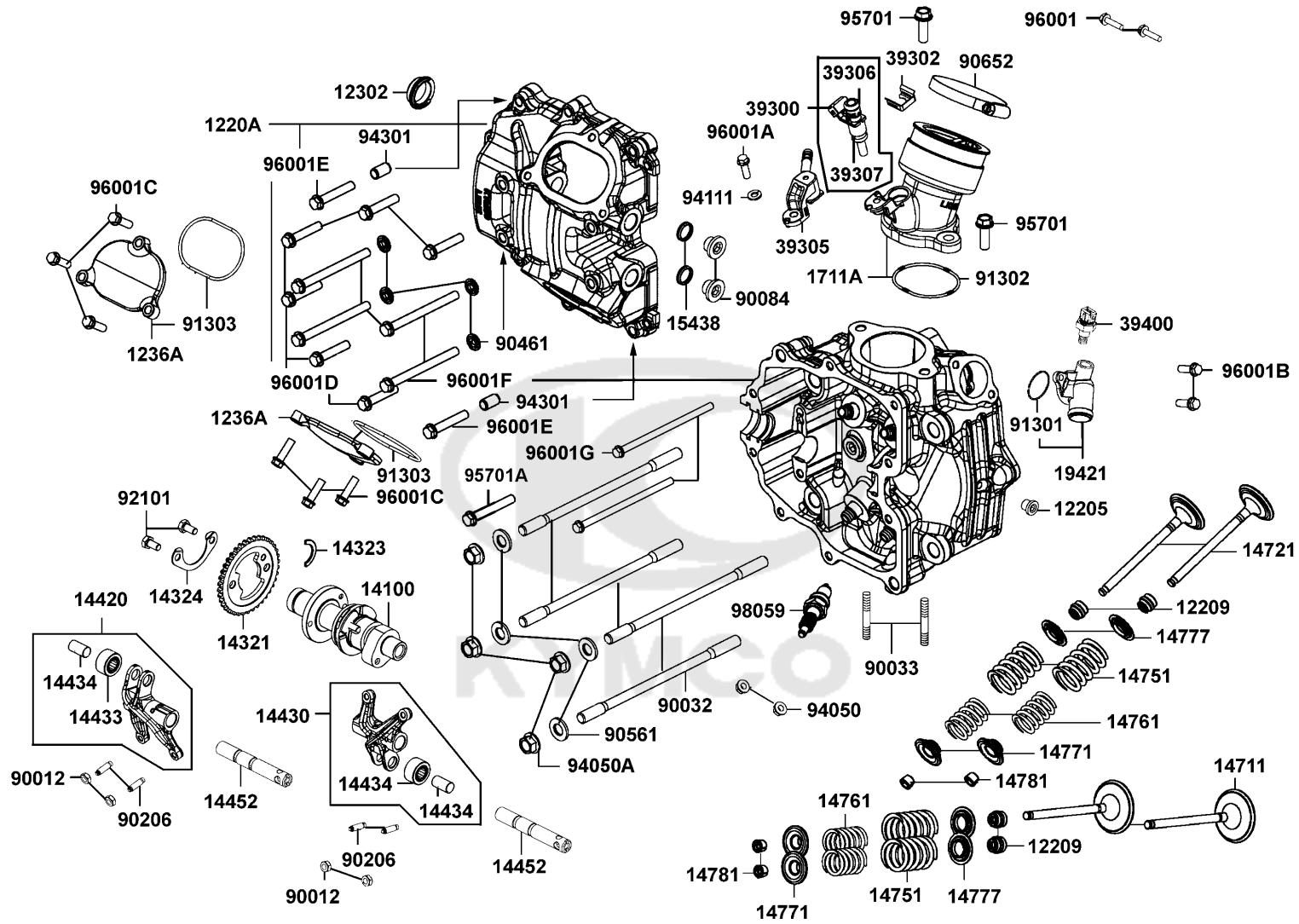
E01

Crank Case



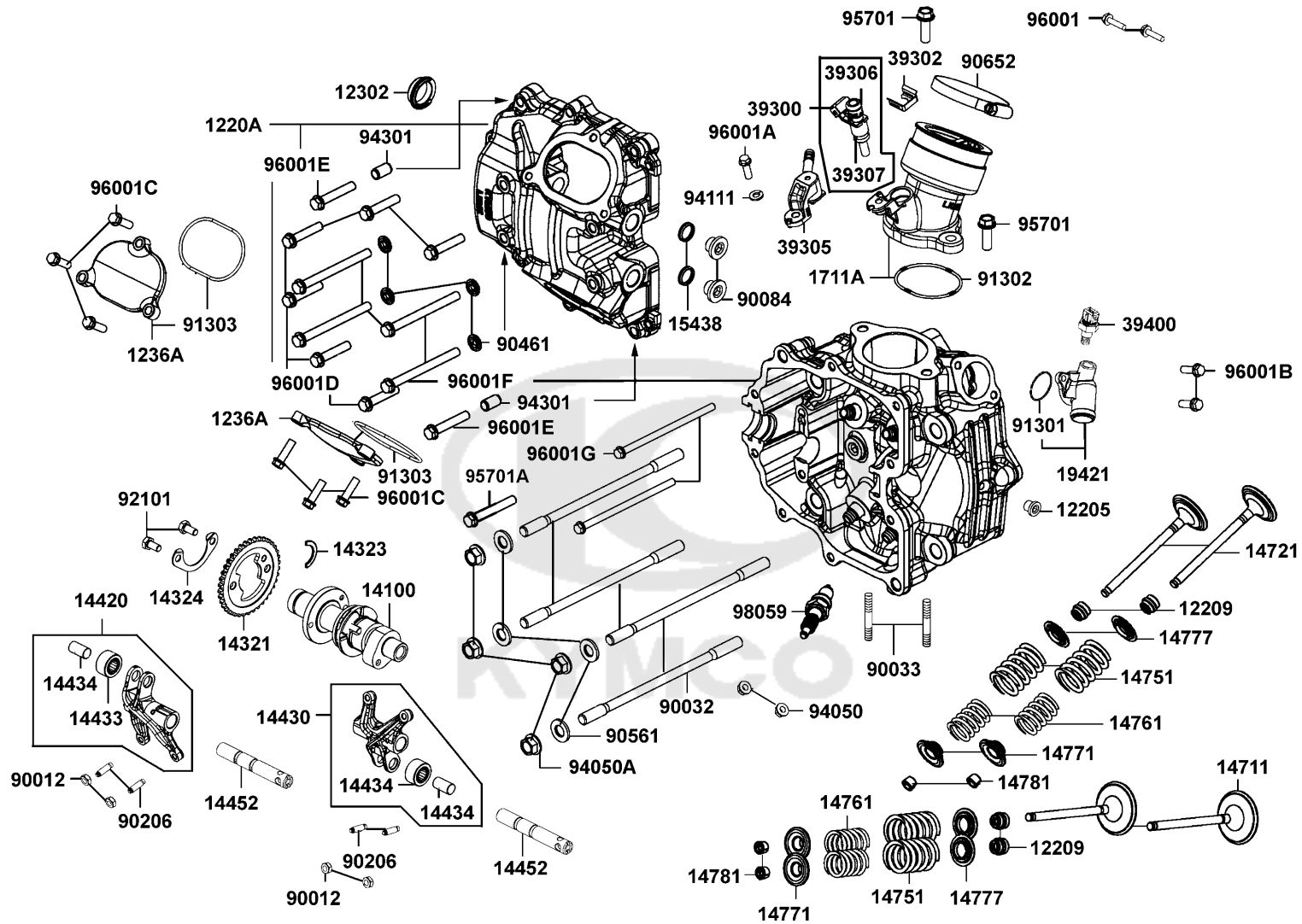
Sales mark	Ref no	Part no	Description	Reg description	Regd no	E01
	96001-06085	96001-06085-06	BOLT FLANGE 6*85	BOLT FLANGE 6*85	1	
	96001-06090	96001-06090-06	BOLT FLANGE SH 6*90	BOLT FLANGE SH 6*90	1	
	96001-06110	96001-06110-06	BOLT FLANGE SH 6*110	BOLT FLANGE SH 6*110	1	
	96100-62040	96100-62040-00	BEARING BALL RADIAL 6204	BEARING BALL RADIAL 6204	1	
	96100-63030	96100-63030-00	BEARING BALL RADIAL 6303	BEARING BALL RADIAL 6303	1	
	96100-63040	96100-63040-00	BRG BALL RADIAL 6304	BRG BALL RADIAL 6304	1	
	96100-63060	96100-63060-00	BRG BALL RADIAL 6306	BRG BALL RADIAL 6306	1	
	96100-64050	96100-64050-00	BRG BALL RADIAL 6405	BRG BALL RADIAL 6405	1	
	96100-LBA2	96100-LBA2-E00	BRG BALL RADIAL 6304	BRG BALL RADIAL 6304	2	
	96106	96106-LDB5-E00	BEARING BALL RADIAL	BEARING BALL RADIAL	1	
	96107	96107-LDB5-E00	BEARING BALL RADIAL	BEARING BALL RADIAL	1	
	96211	96211-16000	BALL STEEL #16	BALL STEEL #16	1	
	96600-08010	96600-08010-16	SOCKET BOLT 8X10	SOCKET BOLT 8X10	1	
	96600-LDB5	96600-08020-16	SOCKET BOLT 8X20	SOCKET BOLT 8X20	4	
	96600-LDB5	96600-LDB5-E00	SOCKET BOLT 8X20	SOCKET BOLT 8X20	4	

Cylinder Head Cover Cylinder Head



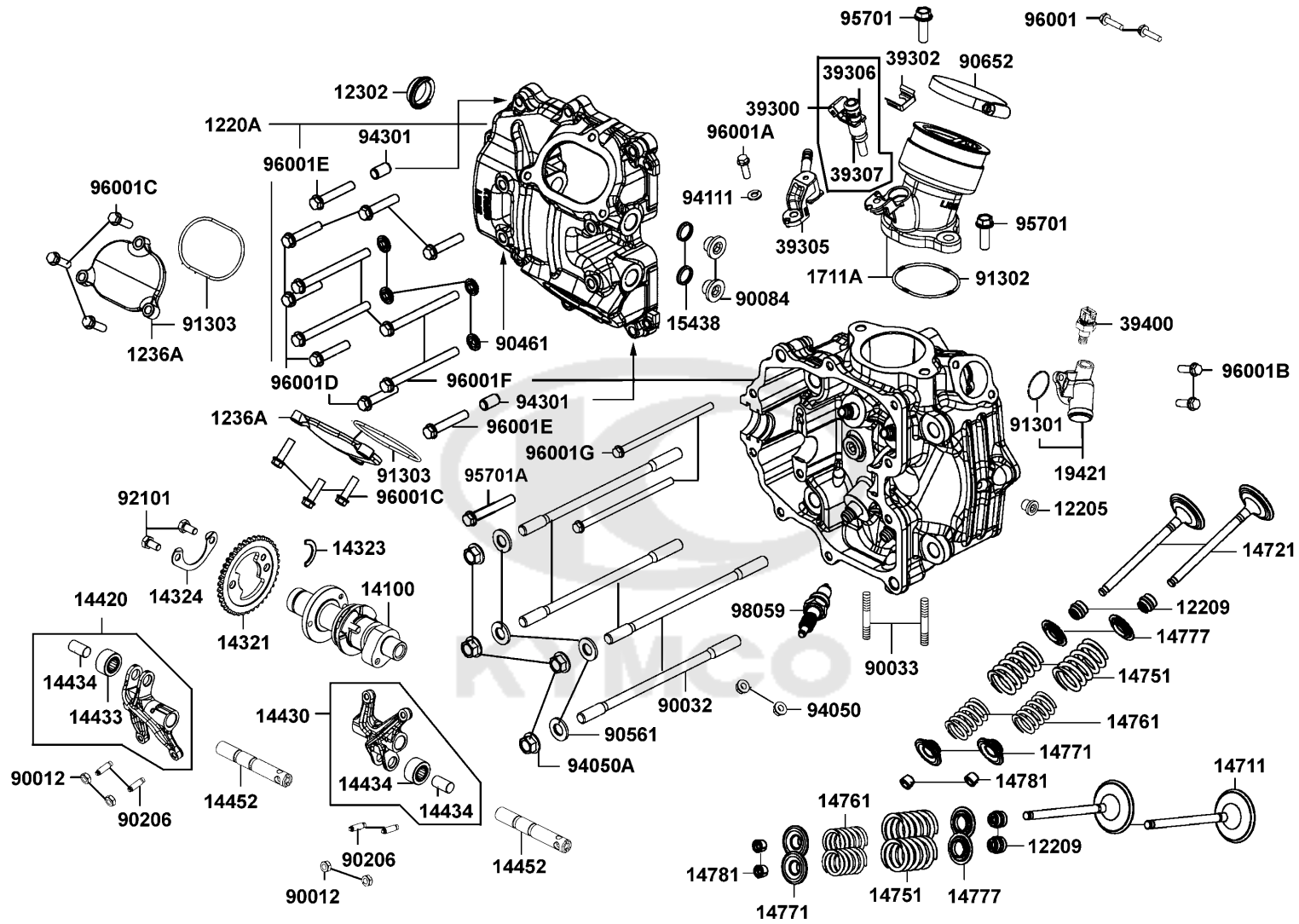
Sales mark	Ref no	Part no	Description	Reg description	Regd no	E02
12205		12205-KHE8-301	BOLT SEALING 12MM	BOLT SEALING 12MM	1	
12209		12209-PUA5-E00	Valve Stem Seal 6mm	Valve Stem Seal 6mm	4	
1220A		1220A-LKM8-900	HEAD ASSY CYLINDER	HEAD ASSY.. CYLINDER	1	
12302		12302-PTA1-900	PLUG HEAD	PLUG HEAD	1	
1236A		1236A-LKM5-E00	HOLDER CAP ASSY TAPPET ADJUSTER	HOLDER CAP ASSY TAPPET ADJUSTER	2	
14100		14100-LKM5-E00	SHAFT COMP CAM	SHAFT COMP CAM	1	
14321		14321-LKM5-E00	SPROCKET CAM SHAFT	SPROCKET CAM SHAFT	1	
14323		14323-PWB1-900	C-RING CAM RETAINER	C-RING CAM RETAINER	1	
14324		14324-PWB1-900	WASHER LOCK AMSHAFT	WASHER LOCK AMSHAFT	1	
14420		14420-LKM5-E00	ARM COMP EXH VALVE ROCKER	ARM COMP EXH VALVE ROCKER	1	
14430		14430-LKM5-E00	ARM COMP IN VALVE ROCKER	ARM COMP IN VALVE ROCKER	1	
14433		14433-LKM5-E00	ARM VALVE ROCKER	ARM VALVE ROCKER	2	
14434		14434-LKM5-E00	PIN. ROCKER ARM	PIN. ROCKER ARM	2	
14452		14452-LKM5-E00	SHAFT EXH ROCKER ARM	SHAFT EXH ROCKER ARM	2	
14711		14711-LKM5-E00	VALVE. INLET	VALVE. INLET	2	
14721		14721-LKM5-E00	VALVE. EXHAUST	VALVE. EXHAUST	2	
14751		14751-LEH6-E00	SPRING. OUTER VALVE	SPRING. OUTER VALVE	4	
14761		14761-LEH6-E00	SPRING INNER VALVE	SPRING INNER VALVE	4	
14771		14771-LKM5-E00	RETAINER VALVE SPRING	RETAINER VALVE SPRING	4	
14777		14777-LKM5-E00	SEAT. VALVE SPRING	SEAT. VALVE SPRING	4	

Cylinder Head Cover Cylinder Head



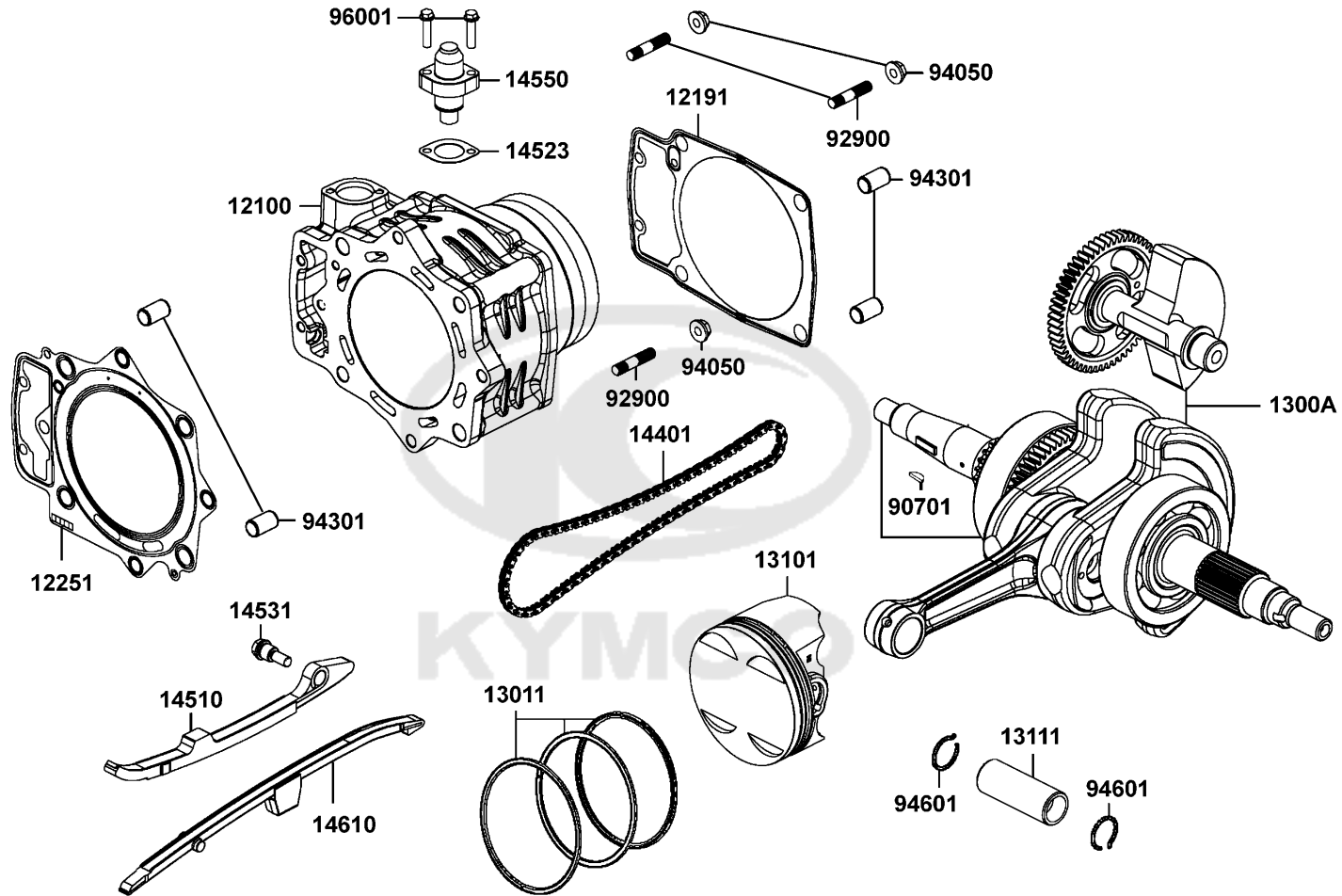
Sales mark	Ref no	Part no	Description	Reg description	Regd no	E02
	14781	14781-LKM5-E00	COTTER VALVE	COTTER VALVE	1	
	15438	15438-PWB1-900	GASKET METAL COMPRESSION	GASKET METAL COMPRESSION	2	
	1711A	1711A-LKM5-900	PIPE ASSY INLET	PIPE ASSY INLET	1	
	19421	19421-LKM5-E00	JOINT COMP WATER HOSE	JOINT COMP WATER HOSE	1	
	39300	39300-LKM5-E00	FUEL INJECTOR	FUEL INJECTOR	1	
	39302	39302-KKE3-900	CLIP SPRING FUEL INJECTOR	CLIP SPRING FUEL INJECTOR	1	
	39305	39305-LKM5-E00	HOLDER FUEL INJECTOR	HOLDER FUEL INJECTOR	1	
	39306	39306-LEB2-305	O-RING A INJECTOR /BLACK	O-RING A INJECTOR /BLACK	1	
	39307	39307-LEB2-305	O-RING B INJECTOR /GREEN	O-RING B INJECTOR /GREEN	1	
	39400	39400-LEA6-800	WATER TEMP SENSOR	WATER TEMP SENSOR	1	
	90012	90012-LKF5-E00	SCREW TAPPET ADJUSTING	SCREW TAPPET ADJUSTING	2	
	90032	90032-LKM5-E00	BOLT B STUD	BOLT B STUD	4	
	90033	90033-KGB4-C00	BOLT STUD M8X40 (C)	BOLT STUD M8X40 (C)	2	
	90084	90084-KKE5-E00	CAPE OIL CHANNEL	CAPE OIL CHANNEL	2	
	90206	90206-0A01-001	NUT TAPPET ADJG	NUT TAPPET ADJG	4	
	90461	90461-PWB1-900	WASHER SEALING	WASHER SEALING	4	
	90561	90561-PWB1-900	WASHER 21X10X2.2	WASHER 21X10X2.2	4	
	90652	90652-LKM5-E00	C-HOPE(50~70)	C-HOPE(50~70)	1	
	91301	91301-KKE5-E00	O RING 28.8x2.4	O RING 28.8x2.4	1	
	91302	91302-LKM5-E00	O-RING	O-RING	1	

Cylinder Head Cover Cylinder Head



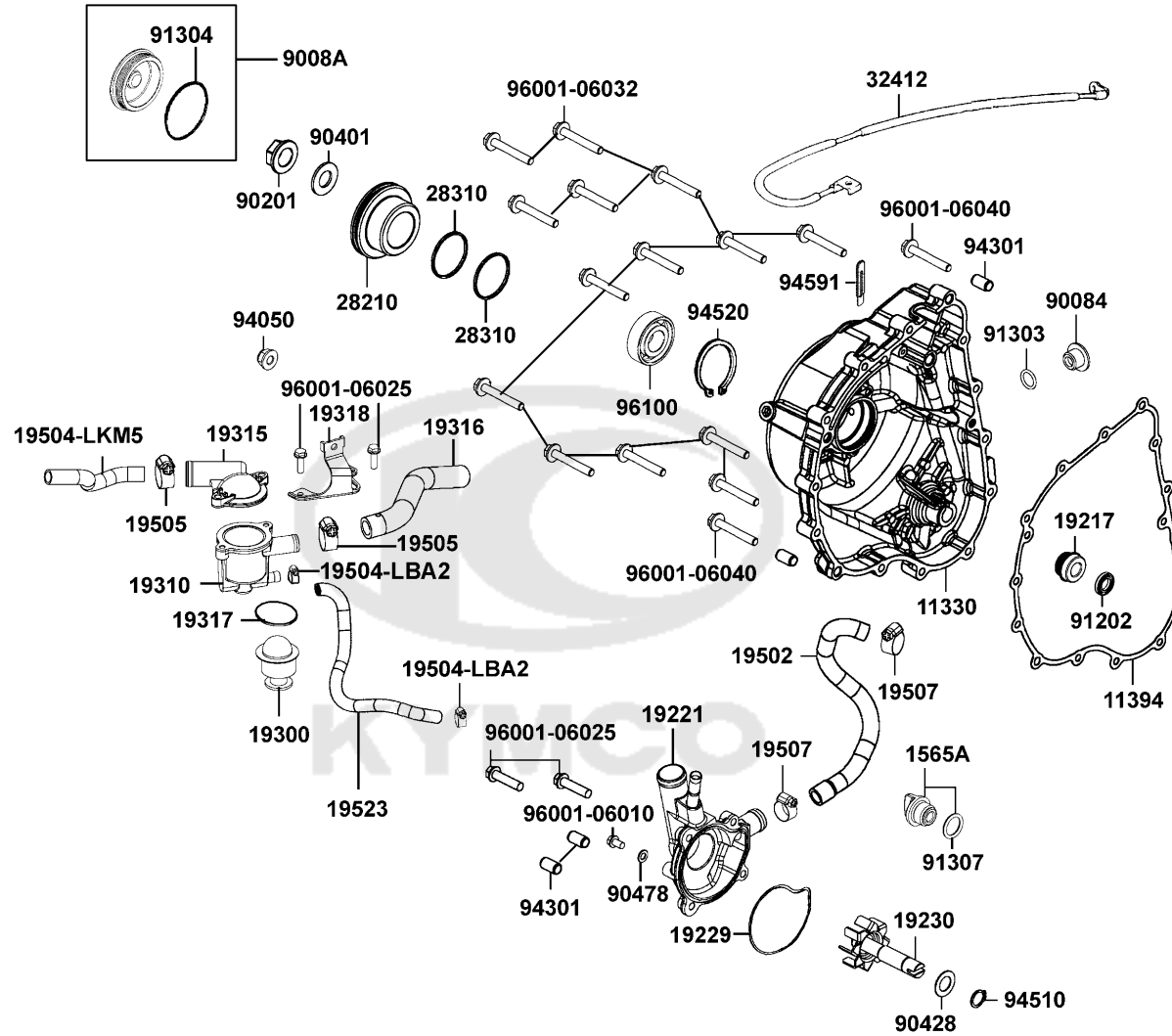
Sales mark	Ref no	Part no	Description	Reg description	Regd no	E02
91303		91303-LKM5-E00	STOPPER RUBBER	STOPPER RUBBER	2	
92101		92101-06012-0HN	BOLT HEX 6X12	BOLT HEX 6X12	2	
94050		94050-06080	NUT FLANGE 6MM	NUT FLANGE 6MM	2	
94050A		94050-10060	NUT FLANGE 10MM	NUT FLANGE 10MM	4	
94111		94111-06800	WASHER SPRING 6MM	WASHER SPRING 6MM	1	
94301		94301-08140	DOWEL PIN 8*14	DOWEL PIN 8*14	2	
95701		95701-08025-06	BOLT FLANGE 8*25	BOLT FLANGE 8*25	1	
95701A		95701-08035-06	BOLT FLANGE 8*28	BOLT FLANGE 8*28	1	
96001		96001-06014-06	BOLT FLANGE SH 6X14	BOLT FLANGE SH 6X14	2	
96001A		96001-06016-06	BOLT FLANGE SH 6X16	BOLT FLANGE SH 6X16	1	
96001B		96001-06018-06	BOLT FLANGE SH 6X18	BOLT FLANGE SH 6X18	1	
96001C		96001-06020-06	BOLT FLANGE SH 6*20	BOLT FLANGE SH 6*20	6	
96001D		96001-06030-06	BOLT FLANGE SH 6X30	BOLT FLANGE SH 6X30	1	
96001E		96001-06035-06	BOLT FLANGE SH 6*35	BOLT FLANGE 6*35	1	
96001G		96001-06120-06	BOLT FLANGE SH 6*120	BOLT FLANGE SH 6*120	1	
96001F		96001-LKM5-E00	BOLT FLANGE SH 6X70	BOLT FLANGE SH 6X70	4	
98059		98059-57916-00	SPARK PLUG CR7E	SPARK PLUG CR7E	1	

Cylinder Piston Crankshaft



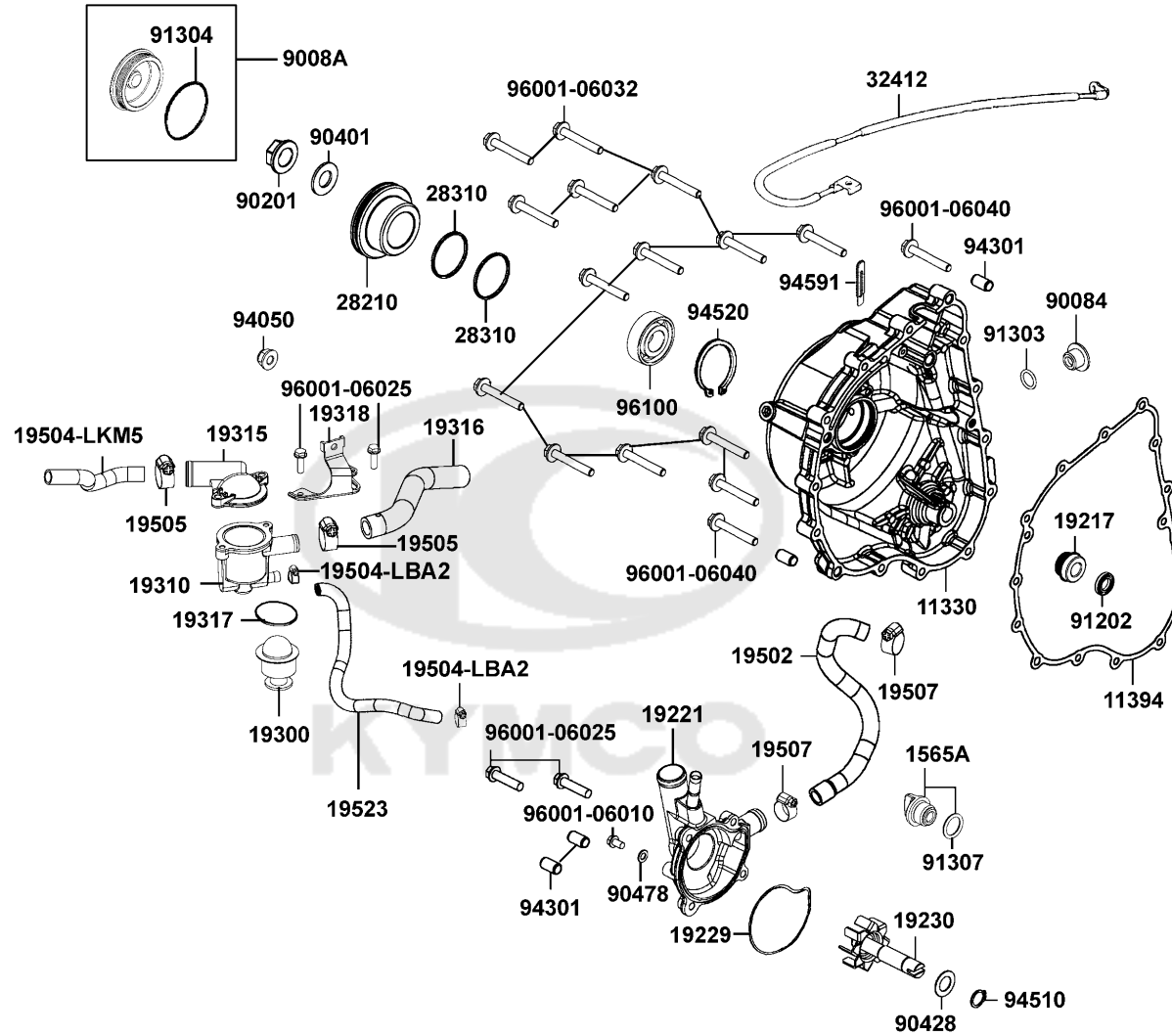
Sales mark	Ref no	Part no	Description	Reg description	Regd no	E03
	12100	12100-LKM5-E00	CYLINDER COMP (A)	CYLINDER COMP (A)	1	
	12191	12191-LKM5-E00	GASKET CYLINDER @A	GASKET CYLINDER @A	1	
	12251	12251-LKM8-E00	GASKET CYLINDER HEAD	GASKET CYLINDER HEAD	1	
	1300A	1300A-LKM5-305	CRANK BLANCER COMP	CRANK BLANCER COMP	1	
	13011	13011-LKM5-E00	RING SET PISTON	RING SET PISTON	1	
	13101	13101-LKM5-E00	PISTON	PISTON	1	
	13111	13111-LKM5-E00	PIN PISTON	PIN PISTON	1	
	14401	14401-LKM5-E00	CHAIN CAM (CHN-T092RH2015-120P-M)	CHAIN CAM (CHN-T092RH2015-120P-M)	1	
	14401	14401-LKM5-E0A	CHAIN CAM(KMC)	CHAIN CAM(KMC)	1	
	14510	14510-LKM5-E00	TENSIONER CAM CHAIN	TENSIONER CAM CHAIN	1	
	14523	14523-LKF5-E00	GASKET TENSIONER LIFTER @A	GASKET TENSIONER LIFTER @A	1	
	14531	14531-KKJ9-001	PIVOT CAM CHAIN TENSIONER	PIVOT CAM CHAIN TENSIONER	1	
	14550	14550-LKF5-E00	ADJUSTER CAM CHAIN	ADJUSTER CAM CHAIN	1	
	14610	14610-LKM5-E00	GUIDE COMP CAM CHAIN	GUIDE COMP CAM CHAIN	1	
	90701	90701-LDB5-E00	KEY WAY ACG	KEY WAY ACG	1	
	92900	92900-PTA1-900	BOLT STUD 8*40	BOLT STUD 8*40	3	
	94050	94050-08080	NUT FLANGE 8MM	NUT FLANGE 8MM	3	
	94301	94301-12200	DOWEL PIN 12*20	DOWEL PIN 12*20	4	
	94601	94601-LKM5-E00	CLIP PISTON PIN	CLIP PISTON PIN	2	
	96001	96001-06025-06	BOLT FLANGE SH 6*25	BOLT FLANGE SH 6*25	1	

Right Crankcase Cover Water Pump



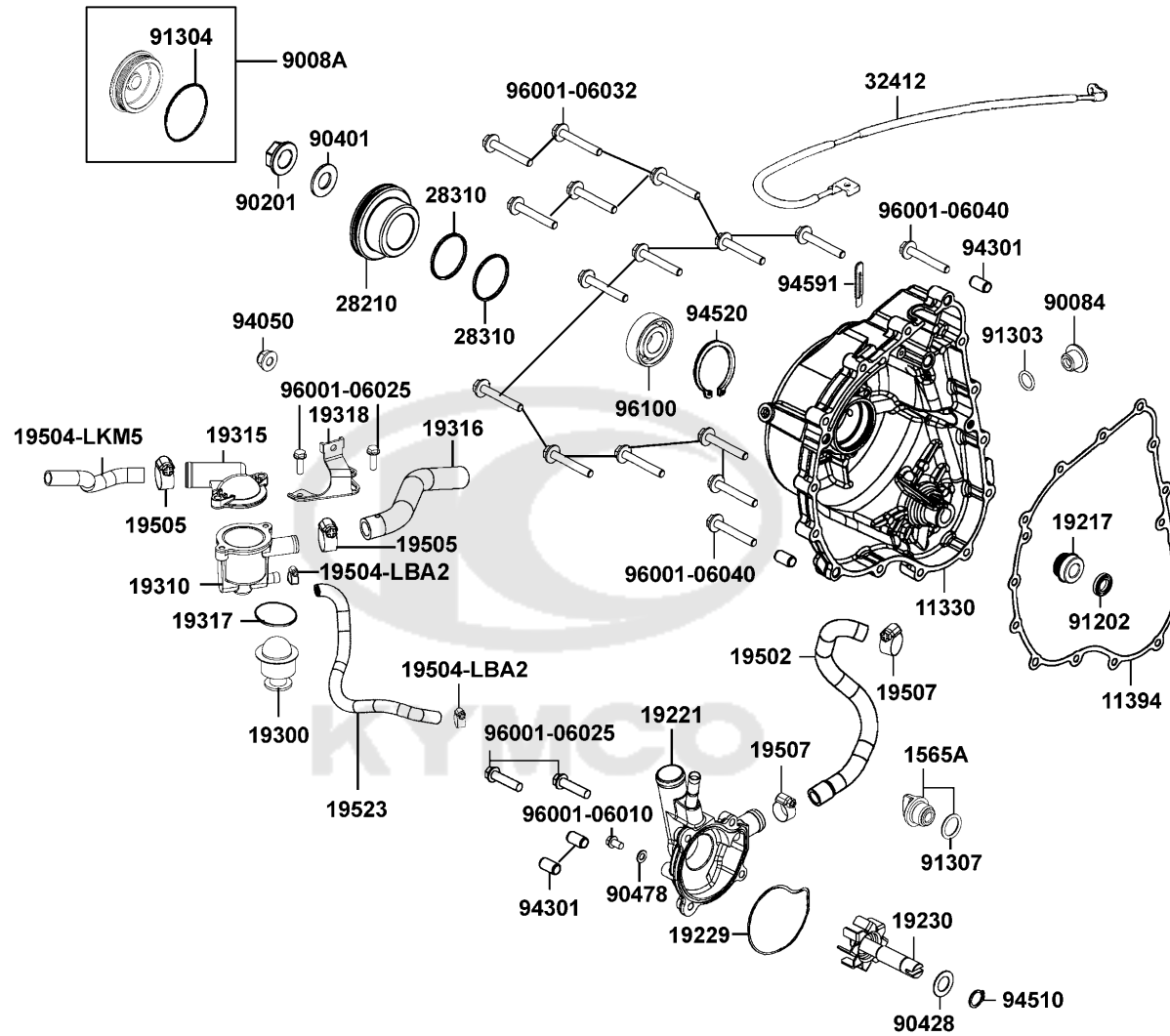
Sales mark	Ref no	Part no	Description	Reg description	Regd no	E04
11330		11330-LKM5-E00	COVER COMP R CRANK CASE	COVER COMP R CRANK CASE	1	
11394		11394-LKM5-E00	GASKET R COVER @A	GASKET R COVER @A	1	
1565A		1565A-PWA1-900	GAUGE OIL LEVEL ASSY	GAUGE OIL LEVEL ASSY	1	
19217		19217-ZPA3-E00	SEAL MECHANICAL	SEAL MECHANICAL	1	
19221		19221-LKM5-E00	COVER WATER PUMP	COVER WATER PUMP	1	
19229		19229-LKM5-E00	O-RING. WATER PUMP	O-RING. WATER PUMP	1	
19230		19230-LKM5-E00	ASSY WATER PUMP	ASSY WATER PUMP	1	
19300		19300-PTA1-900	THERMOSTAT ASSY	THERMOSTAT ASSY	1	
19310		19310-LKM5-E00	CASE COMP THERMOSTAT	CASE COMP THERMOSTAT	1	
19315		19315-LBA2-E00	COVER THERMOSTAT	COVER THERMOSTAT	1	
19316		19316-LKM5-E00	HOSE THERMOSTAT	HOSE THERMOSTAT	1	
19317		19317-LBA2-E00	RING 48.3*2	RING 48.3*2	1	
19318		19318-LDB5-E00	BRKT THERMOSTAT	BRKT THERMOSTAT	1	
19502		19502-LKM5-E00	HOSE. WATER B	HOSE. WATER B	1	
19504-LBA2		19504-LBA2-E00	CLAMP D16.8	CLAMP D16.8	2	
19504-LKM5		19504-LKM5-E00	HOSE WATER D RADIATOR-ENG	HOSE WATER D RADIATOR-ENG	1	
19505		19505-LBA2-E00	CLAMP WATER HOSE	CLAMP WATER HOSE	2	
19507		19507-LDB5-E00	CLAMP D 28	CLAMP D 28	2	
19523		19523-LDB5-E00	WATER HOSE A	WATER HOSE A	1	
28210		28210-LKM5-E00	BOSS RACHET	BOSS RACHET	1	

Right Crankcase Cover Water Pump



Sales mark	Ref no	Part no	Description	Reg description	Regd no	E04
	28310	28310-LDB5-E00	RING OIL PATH	RING OIL PATH	2	
	32412	32412-LKM5-E00	CABLE EARTH	CABLE EARTH	1	
	9008A	9008A-LKM5-E00	CAP ASSY	CAP ASSY	1	
	90201	90201-KHR8-75A	NUT FLANGE 14MM	NUT FLANGE 14MM	1	
	90401	90401-KKJ9-001	WASHER THRUST 14*28*2	WASHER THRUST 14*28*2	1	
	90428	90428-9H58-001	WASHER THRUST 14MM B	WASHER THRUST 14MM B	1	
	90478	90478-7L00-001	WASHER A 6MM	WASHER A 6MM	1	
	91202	91202-KGB4-C00	OIL SEAL 13.7*24*5	OIL SEAL 13.7*24*5	1	
	91303	91303-3G77-001	O-RING 13.8*2.5	O-RING 13.8*2.5	1	
	91304	91304-LKM5-E00	O-RING 56.6*2.4	O-RING 56.6*2.4	1	
	91307	91307-0E35-001	O RING 18*3	O RING 18*3	1	
	94050	94050-06080	NUT FLANGE 6MM	NUT FLANGE 6MM	1	
	94301	94301-08140	DOWEL PIN 8*14	DOWEL PIN 8*14	4	
	94510	94510-14000	CIR CLIP EXTERNAL 14	CIR CLIP EX 14	1	
	94520	94520-47000	CIR CLIP IN 47	CIR CLIP IN 47	1	
	94591	94591-KFBF-900	CLIP 2*70	CLIP 2*70	1	
	96001-06010	96001-06010-02	BOLT FLANGE SH 6*10	BOLT FLANGE SH 6*10	1	
	96001-06025	96001-06025-06	BOLT FLANGE SH 6*25	BOLT FLANGE SH 6*25	1	
	96001-06032	96001-06032-06	BOLT FLANGE 6*32	BOLT FLANGE 6*32	14	
	96001-06040	96001-06040-06	BOLT FLANGE SH 6*40	BOLT FLANGE SH 6*40	2	

Right Crankcase Cover Water Pump



Sales mark	Ref no	Part no	Description	Reg description	Regd no	E04
------------	--------	---------	-------------	-----------------	---------	------------

96100

96100-69060-00

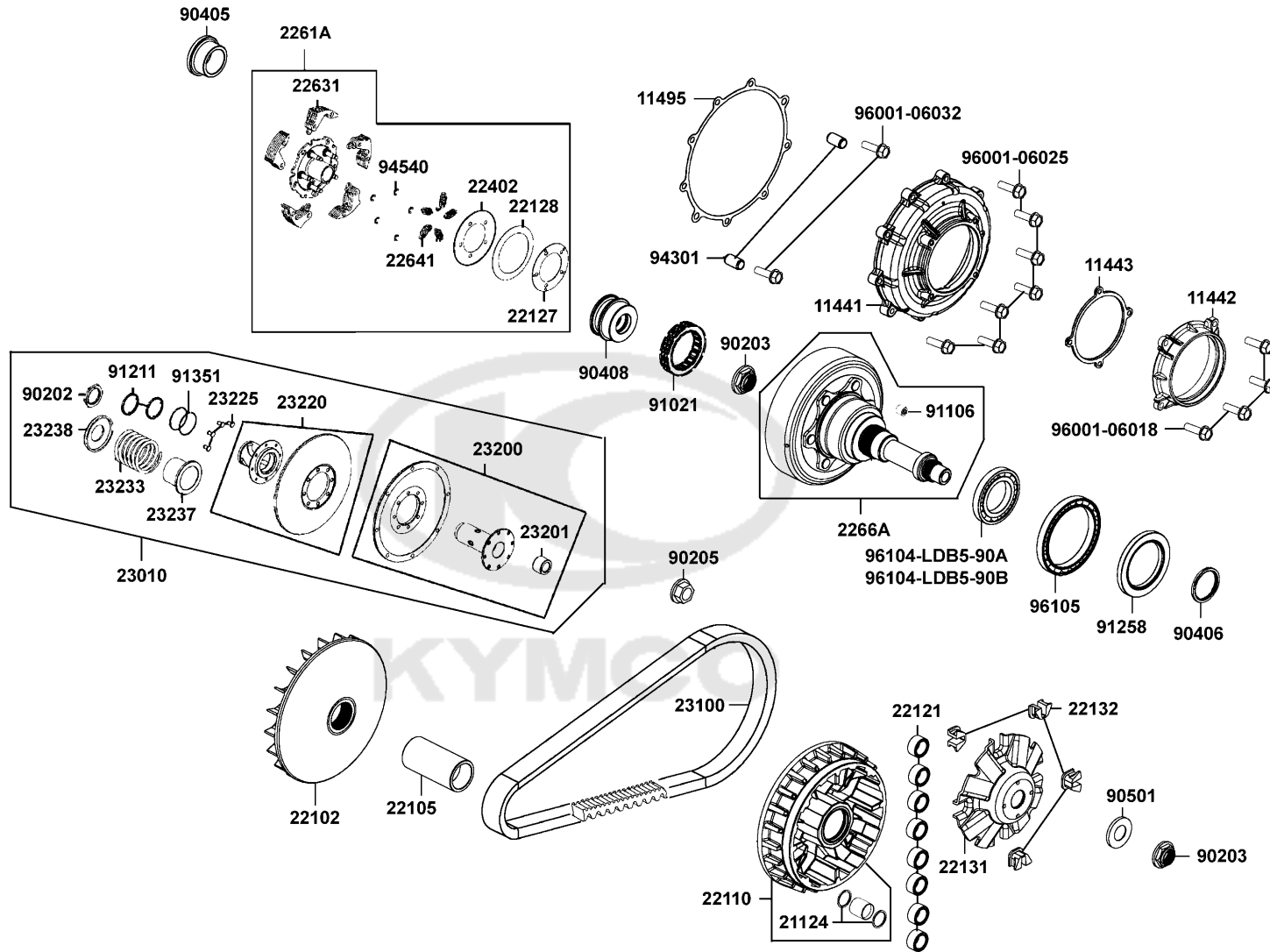
BEARING BALL RADIAL 6906

BEARING BALL RADIAL 6906

1

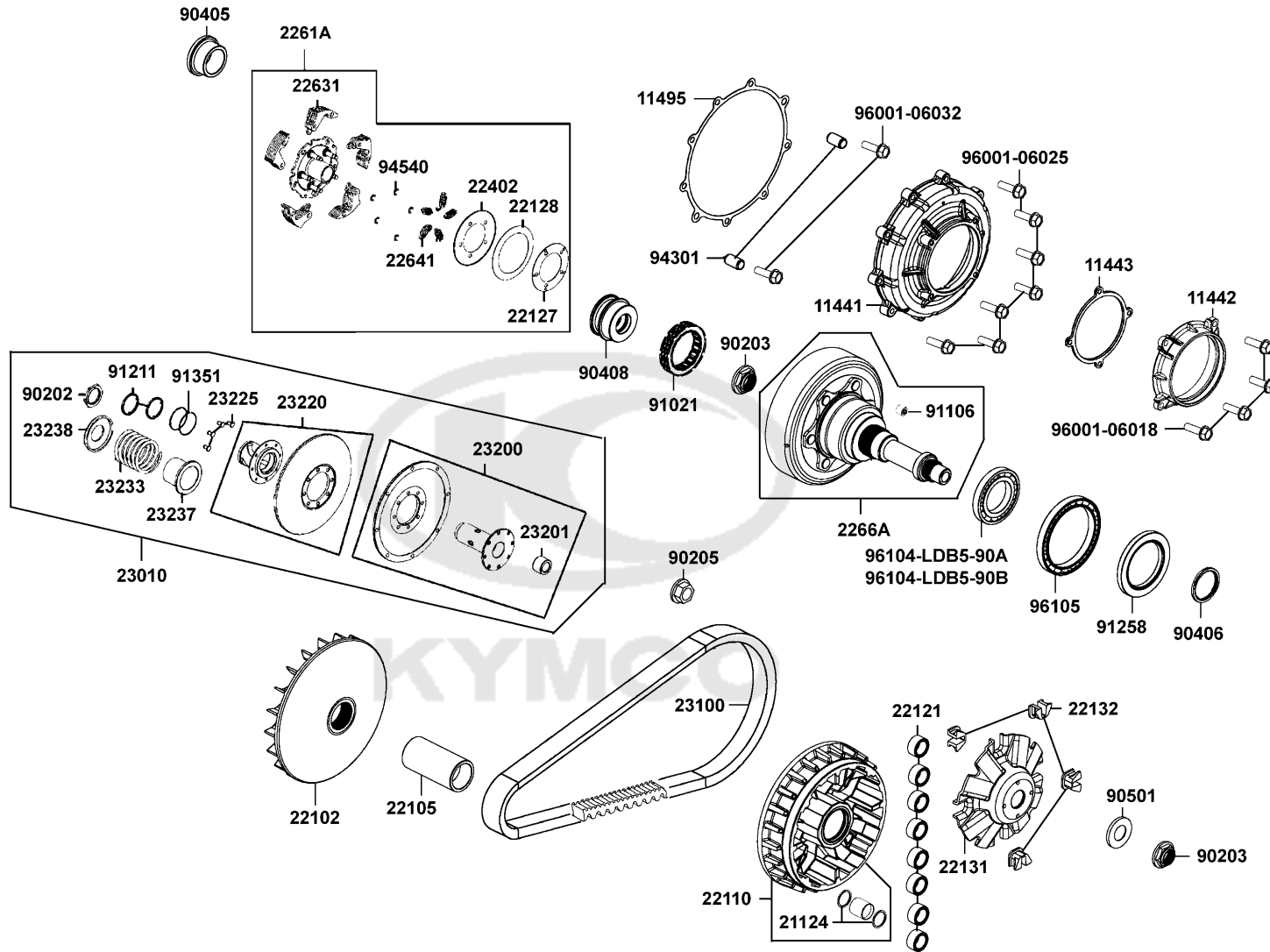


Drive Pulley



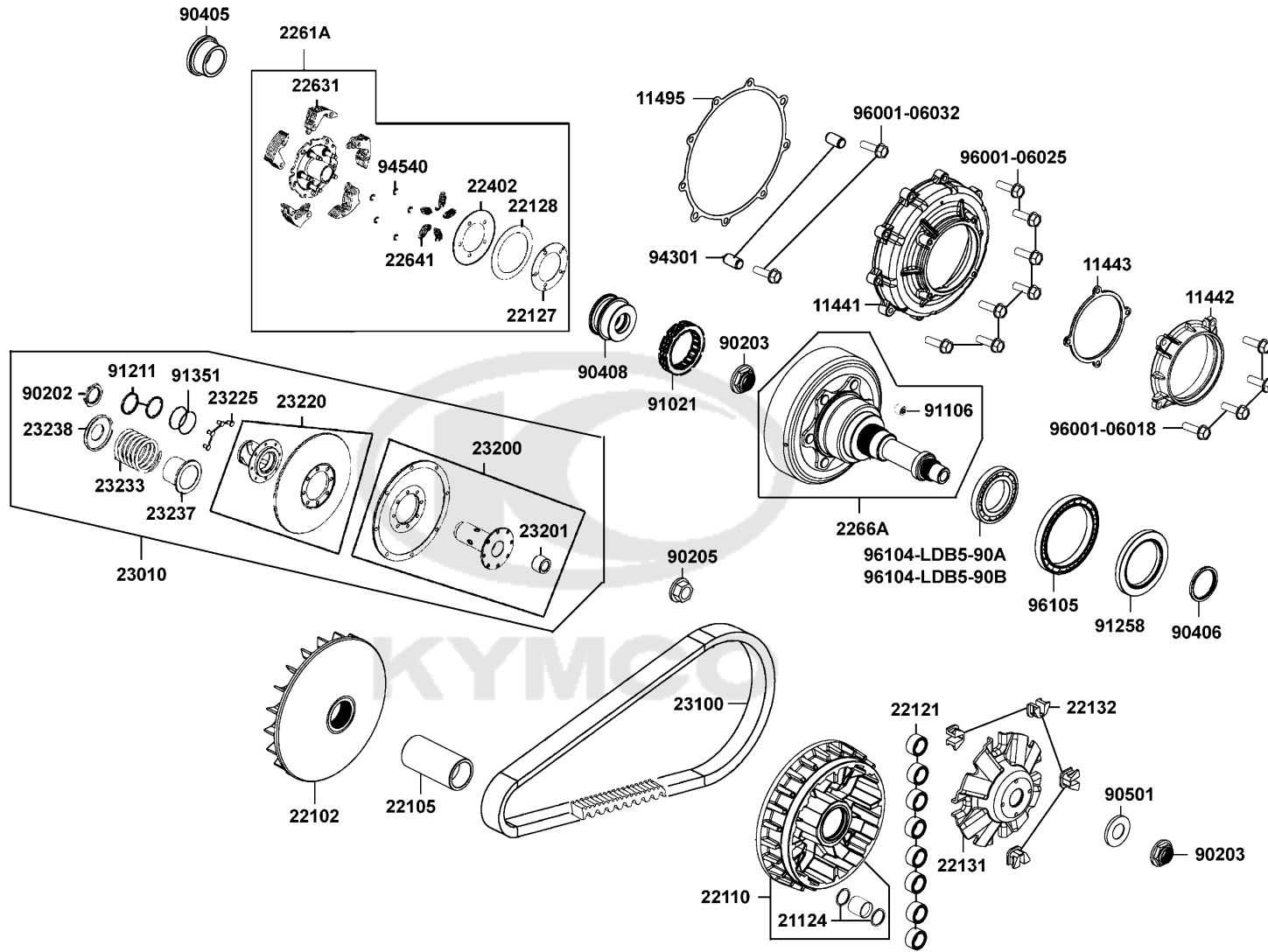
Sales mark	Ref no	Part no	Description	Reg description	Regd no	E05
11441		11441-LKM5-E00	COVER CLUTCH	COVER CLUTCH	1	
11442		11442-LDB5-900	COVER PRIMARY SHAFT	COVER PRIMARY SHAFT	1	
11443		11443-LDB5-900	GASKET PRIMARY SHAFT COVER	GASKET PRIMARY SHAFT COVER	1	
11495		11495-LKM5-E00	GASKET CLUTCH COVER @A	GASKET CLUTCH COVER @A	1	
21124		21124-LKM5-E00	OIL SEAL 42X51X4	OIL SEAL 42X51X4	2	
22102		22102-LDB5-E00	FACE DRIVE	FACE DRIVE	1	
22105		22105-LDB5-E00	BOSS DRIVE FACE	BOSS DRIVE FACE	1	
22110		22110-LKM5-E00	FACE COMP MOVABLE DRIVE	FACE COMP MOVABLE DRIVE	1	
22121		22121-LDB5-305	ROLLER SET WEIGHT (1SET:8PCS)	ROLLER SET WEIGHT (1SET:8PCS)	1	
22127		22127-LDB5-E00	SEAT ADJUSTER SPG	SEAT ADJUSTER SPG	1	
22128		22128-LDB5-E00	PLATE ADJUSTER SPG	PLATE ADJUSTER SPG	1	
22131		22131-LKM5-E00	PLATE RAMP	PLATE RAMP	1	
22132		22132-LKM5-305	PIECE SLIDE SET (1SET:4PCS)	PIECE SLIDE SET (1SET:4PCS)	1	
22402		22402-LDB5-E00	SPR ADJUSTER	SPR ADJUSTER	1	
2261A		2261A-LKM5-E00	CLUTCH ASSY.. PRIMARY	CLUTCH ASSY.. PRIMARY	1	
22631		22631-LKM5-E00	WEIGHT PRIMARY CLUTCH	WEIGHT PRIMARY CLUTCH	5	
22641		22641-LKM5-E00	PRIMARY CLUTH SPG	PRIMARY CLUTH SPG	1	
2266A		2266A-LKM5-E00	GEAR ASSY PRIMARY DRIVE	GEAR ASSY PRIMARY DRIVE	1	
23010		23010-LKM5-E00	PULLEY ASSY DRIVEN	PULLEY ASSY DRIVEN	1	
23100		23100-LDB5-E00	BELT DRIVE	BELT DRIVE	1	

Drive Pulley



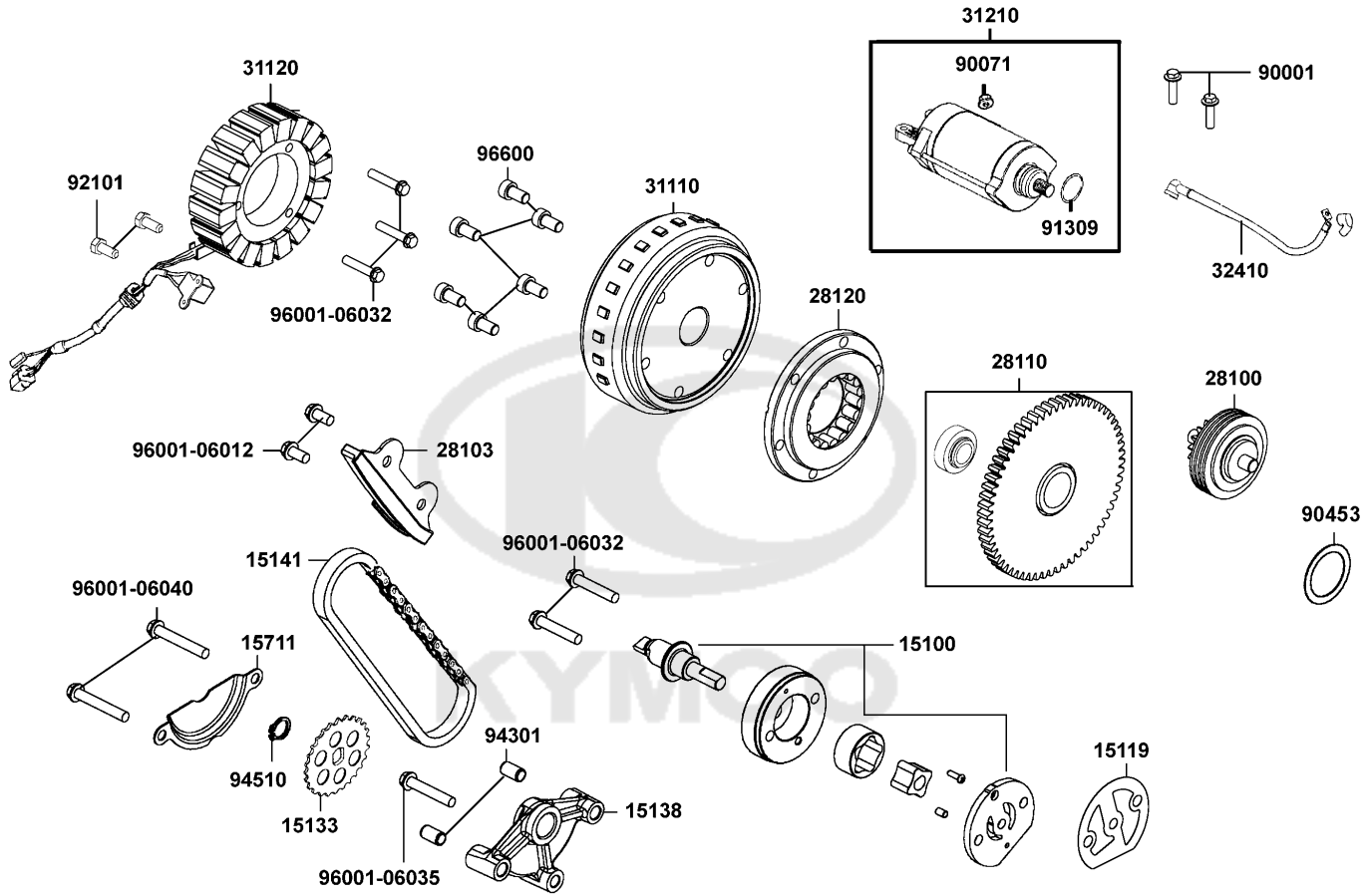
Sales mark	Ref no	Part no	Description	Reg description	Regd no	E05
23200		23200-LDB5-E00	FACE ASSY DRIVEN	FACE ASSY DRIVEN	1	
23201		23201-LDB5-E00	BUSH MOVABLE FACE	BUSH MOVABLE FACE	1	
23220		23220-LDB5-E00	FACE COMP MOVABLE DRIVE	FACE COMP MOVABLE DRIVE	1	
23225		23225-LKM5-E00	PIN ROLLER GUIDE	PIN ROLLER GUIDE	4	
23233		23233-LDB5-E00	SPG DRIVEN FACE	SPG DRIVEN FACE	1	
23237		23237-LDB5-E00	COLLAR SEAL	COLLAR SEAL	1	
23238		23238-LDB5-E00	COLLAR SPG	COLLAR SPG	1	
90202		90202-LDB5-E00	NUT SPECIAL 36MM	NUT SPECIAL 36MM	1	
90203		90203-LDB5-E00	NUT FLANGE 20MM	NUT FLANGE 20MM	2	
90205		90205-LDB5-E00	NUT FLANGE 16 mm	NUT FLANGE 16 mm	1	
90405		90405-LKM5-E00	COLLAR CLUTCH	COLLAR CLUTCH	1	
90406		90406-LDB5-E00	WASHER 25*33*4	WASHER 25*33*4	1	
90408		90408-LDB5-900	COLLAR PRIMARY DRIVE SHAFT	COLLAR PRIMARY DRIVE SHAFT	1	
90501		90501-LKM5-E00	WASHER THRUST 20MM	WASHER THRUST 20MM	1	
91021		91021-LDB5-E0A	BEARING ONE WAY	BEARING ONE WAY	1	
91106		91106-LDB5-E00	BRG NEEDLE 14*22*20	BRG NEEDLE 14*22*20	1	
91211		91211-LDB5-E00	SEAL DRIVEN FACE 40.2*47*4	SEAL DRIVEN FACE 40.2*47*4	1	
91258		91258-LDB5-900	OIL SEAL 56.5*80*7	OIL SEAL 56.5*80*7	1	
91351		91351-LDB5-E00	O-RING PINION CAP	O-RING PINION CAP	2	
94301		94301-08140	DOWEL PIN 8*14	DOWEL PIN 8*14	2	

Drive Pulley

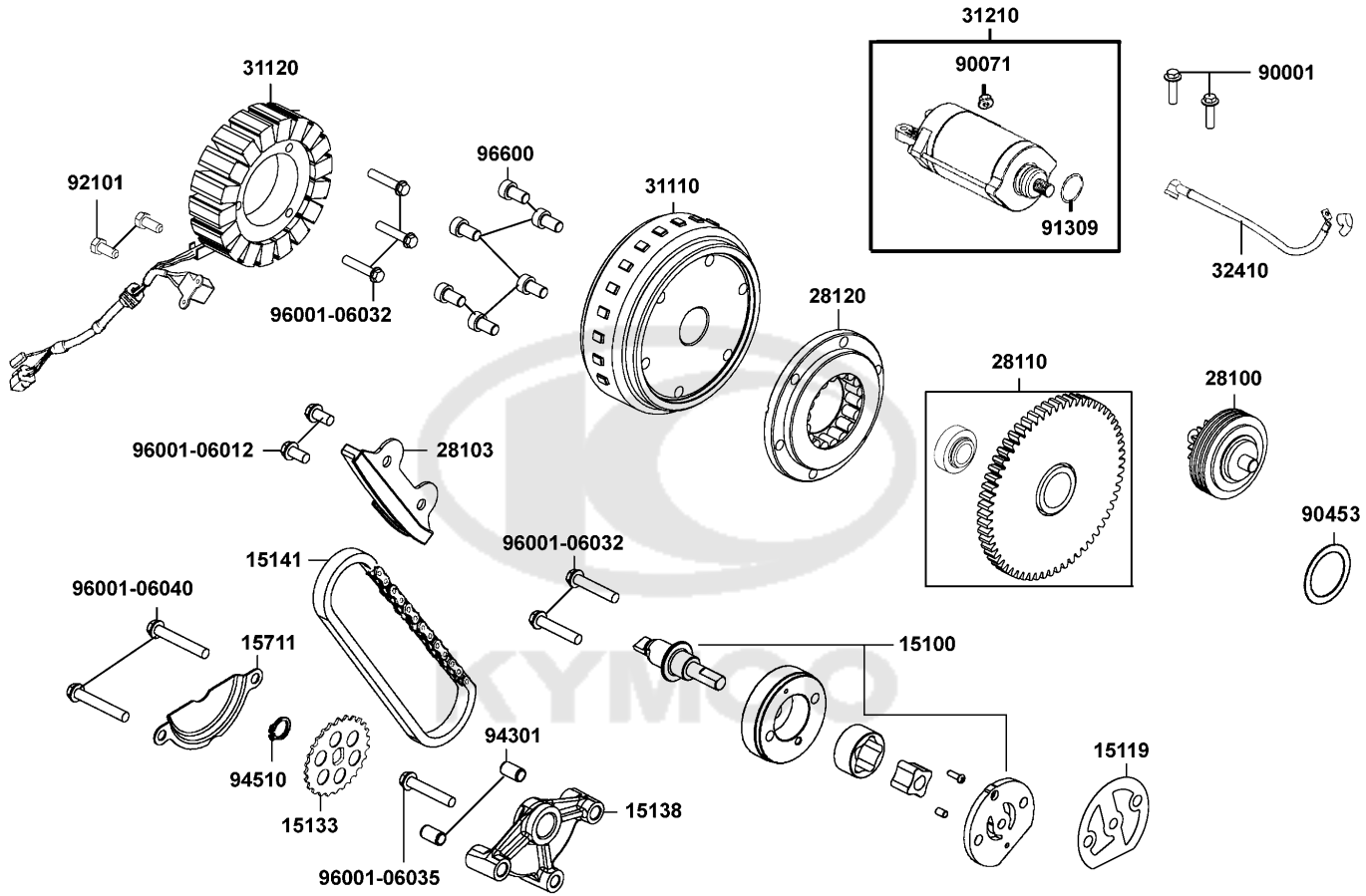


Sales mark	Ref no	Part no	Description	Reg description	Regd no	E05
	94540	94540-07017	E RING 7MM	E RING 7MM	5	
	96001-06018	96001-06018-06	BOLT FLANGE SH 6X18	BOLT FLANGE SH 6X18	1	
	96001-06025	96001-06025-06	BOLT FLANGE SH 6*25	BOLT FLANGE SH 6*25	1	
	96001-06032	96001-06032-06	BOLT FLANGE 6*32	BOLT FLANGE 6*32	2	
	96104-LDB5-90A	96104-LDB5-90A	BEARING BALL RADIAL 16008	BEARING BALL RADIAL 16008	1	
	96104-LDB5-90B	96104-LDB5-90B	BEARING BALL RADIAL 16008	BEARING BALL RADIAL 16008	1	
	96105	96105-LDB5-90C	BRG BALL RADIAL 68150	BRG BALL RADIAL 68150	1	





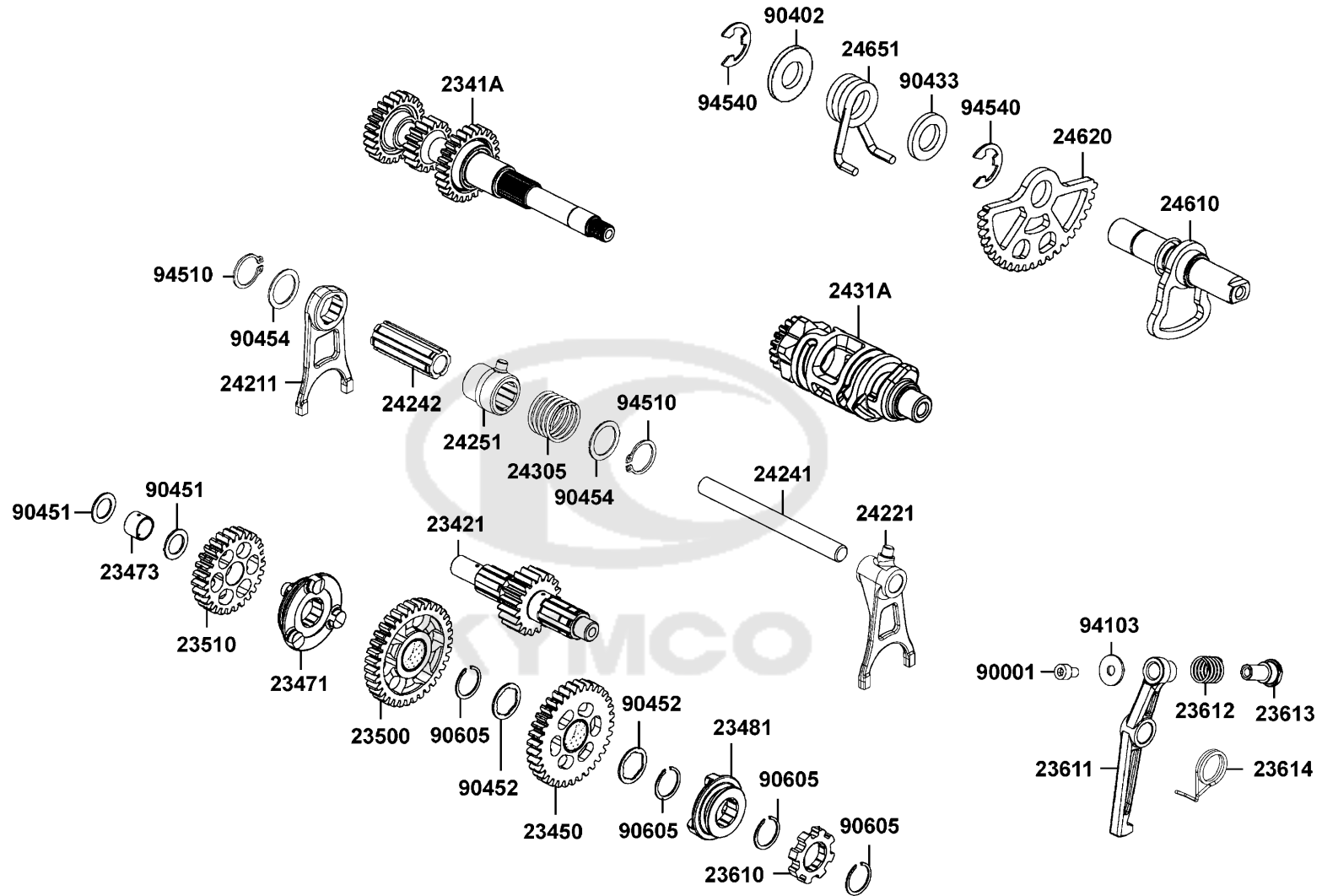
Sales mark	Ref no	Part no	Description	Reg description	Regd no	E06
	15100	15100-LDB5-E00	PUMP ASSY OIL	PUMP ASSY OIL	1	
	15119	15119-LKM5-E00	GASKET OIL PUMP BODY	GASKET OIL PUMP BODY	1	
	15133	15133-LBA2-E00	SPROCKET OIL PUMP DRIVE	SPROCKET OIL PUMP DRIVE	1	
	15138	15138-LDB5-E00	HOLDER OIL PUMP SHAFT	HOLDER OIL PUMP SHAFT	1	
	15141	15141-LDB5-E00	CHAIN OIL PUMP	CHAIN OIL PUMP	1	
	15711	15711-LDB5-E00	SEPARATER OIL	SEPARATER OIL	1	
	28100	28100-LKM5-E00	SHAFT COMP REDUCTION	SHAFT COMP REDUCTION	1	
	28103	28103-LKM5-E00	GEAR B START REDUCTION	GEAR B START REDUCTION	1	
	28110	28110-LKA8-E00	GEAR COMP.STARTING CLUTCH	GEAR COMP.STARTING CLUTCH	1	
	28120	28120-KKE5-E0A	ONE WAY CLUTCH	ONE WAY CLUTCH	1	
	31110	31110-LKM5-E00	FLYWHEEL COMP (D406)	FLYWHEEL COMP (D406)	1	
	31120	31120-LKM5-E00	STATOR COMP (D406)	STATOR COMP (D406)	1	
	31210	31210-LKM5-E0A	MOTOR UNIT STARTER	MOTOR UNIT STARTER	1	
	32410	32410-LDB5-E00	CABLE STARTER MOTOR	CABLE STARTER MOTOR	1	
	90001	90001-GBHB-661	BOLT FLANGE SH 6*22	BOLT FLANGE SH 6*22	2	
	90071	90071-MLB0-001	NUT WASH 6MM	NUT WASH 6MM	2	
	90453	90453-LKM5-E00	WASHER 27.2*36*0.5	WASHER 27.2*36*0.5	1	
	91309	91309-4E25-004	O-RING 24.4*3.1	O-RING 24.4*3.1	1	
	92101	92101-05012-0G	BOLT HEX 5X12	BOLT HEX 5X12	2	
	94301	94301-08140	DOWEL PIN 8*14	DOWEL PIN 8*14	2	



Sales mark	Ref no	Part no	Description	Reg description	Regd no	E06
94510		94510-10000	CIR CLIP EX 10MM	CIR CLIP EX 10MM	1	
96001-06012		96001-06012-06	BOLT FLANGE SH 6*12	BOLT FLANGE SH 6*12	1	
96001-06032		96001-06032-06	BOLT FLANGE 6*32	BOLT FLANGE 6*32	5	
96001-06035		96001-06035-06	BOLT FLANGE SH 6*35	BOLT FLANGE 6*35	1	
96001-06040		96001-06040-06	BOLT FLANGE SH 6*40	BOLT FLANGE SH 6*40	2	
96600		96600-08015-16	SOCKET BOLT 8X15	SOCKET BOLT 8X15	1	



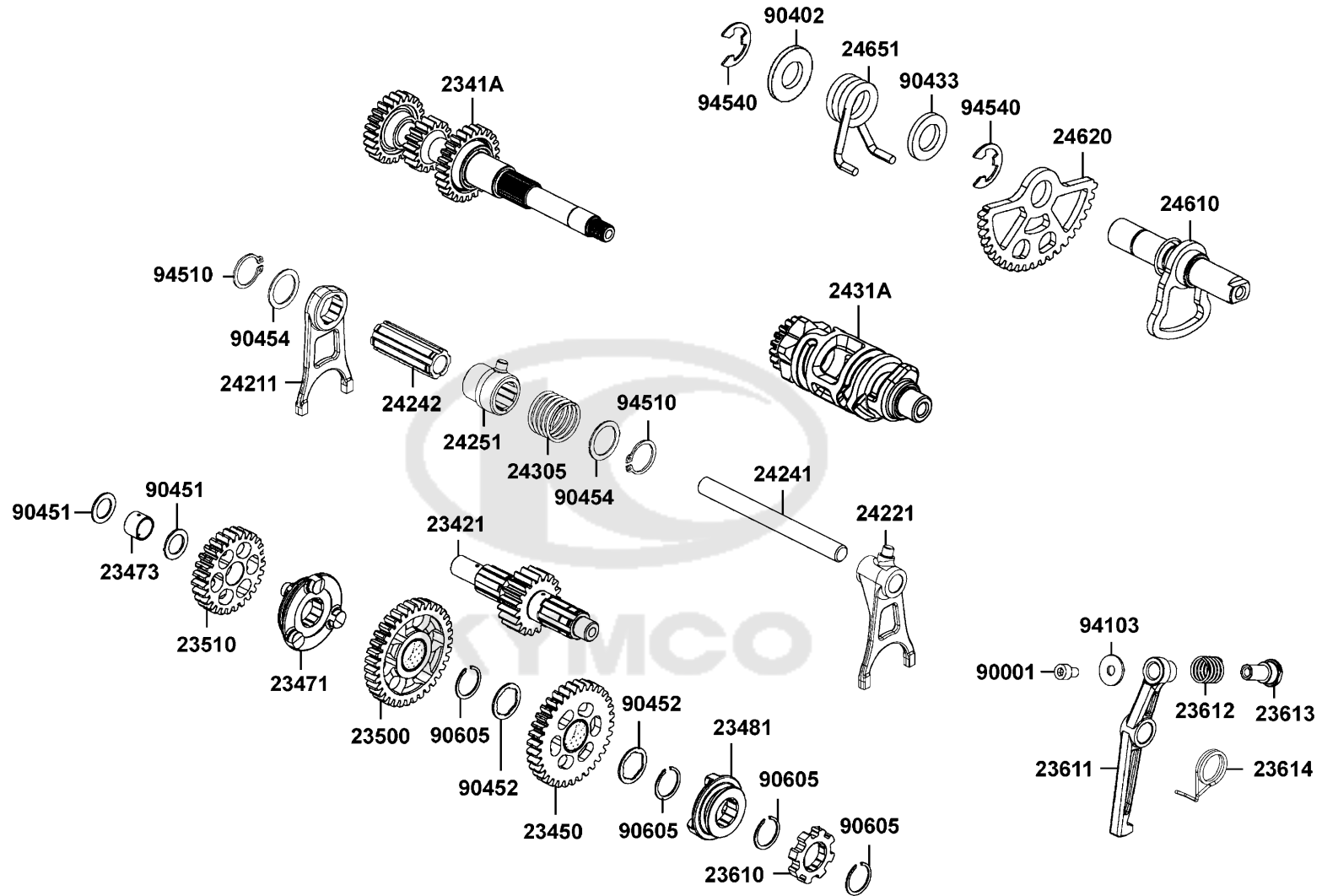
Clutch Assy Primary



Sales mark	Ref no	Part no	Description	Reg description	Regd no	E07
	2341A	2341A-LKM5-E00	SHAFT ASSY DRIVE	SHAFT ASSY DRIVE	1	
	23421	23421-LKM5-E00	SHAFT COUNTER	SHAFT COUNTER	1	
	23450	23450-LDB5-E00	GEAR COMP BACKWARD 2ST DRIVEN	GEAR COMP BACKWARD 2ST DRIVEN	1	
	23471	23471-LDB5-E00	SHIFT FORWARD & LOWER	SHIFT FORWARD & LOWER	1	
	23473	23473-LDB5-E00	COLLAR 20*17*14	COLLAR 20*17*14	1	
	23481	23481-LDB5-E00	SHIFT BACKWARD	SHIFT BACKWARD	1	
	23500	23500-LDB5-E00	GEAR COMP LOWER DRIVE	GEAR COMP LOWER DRIVE	1	
	23510	23510-LDB5-900	GEAR FORWARD DRIVEN 27T	GEAR FORWARD DRIVEN 27T	1	
	23610	23610-LDB5-E00	STOPPER PARK	STOPPER PARK	1	
	23611	23611-LKM5-E00	ARM PARK	ARM PARK	1	
	23612	23612-LDB5-E00	SPRING A PARK	SPRING A PARK	1	
	23613	23613-LDB5-E00	GUIDE PARK	GUIDE PARK	1	
	23614	23614-LDB5-E00	SPRING B PARK	SPRING B PARK	1	
	24211	24211-LKM5-E00	FORK. RIGHT GEAR SHIFT	FORK. RIGHT GEAR SHIFT	1	
	24221	24221-ZVA6-M00	FORK LEFT GEAR SHIFT	FORK LEFT GEAR SHIFT	1	
	24241	24241-LKM5-E00	SHAFT GEAR SHIFT FORK GUIDE	SHAFT GEAR SHIFT FORK GUIDE	1	
	24242	24242-LDB5-E00	COLLAR RIGHT FORK	COLLAR RIGHT FORK	1	
	24251	24251-LDB5-E00	GUIDE RIGHT FORK	GUIDE RIGHT FORK	1	
	24305	24305-LDB5-E00	SPRING RIGHT FORK	SPRING RIGHT FORK	1	
	2431A	2431A-LKM5-E00	DRUM ASSY GEAR SHIFT	DRUM ASSY GEAR SHIFT	1	

E07

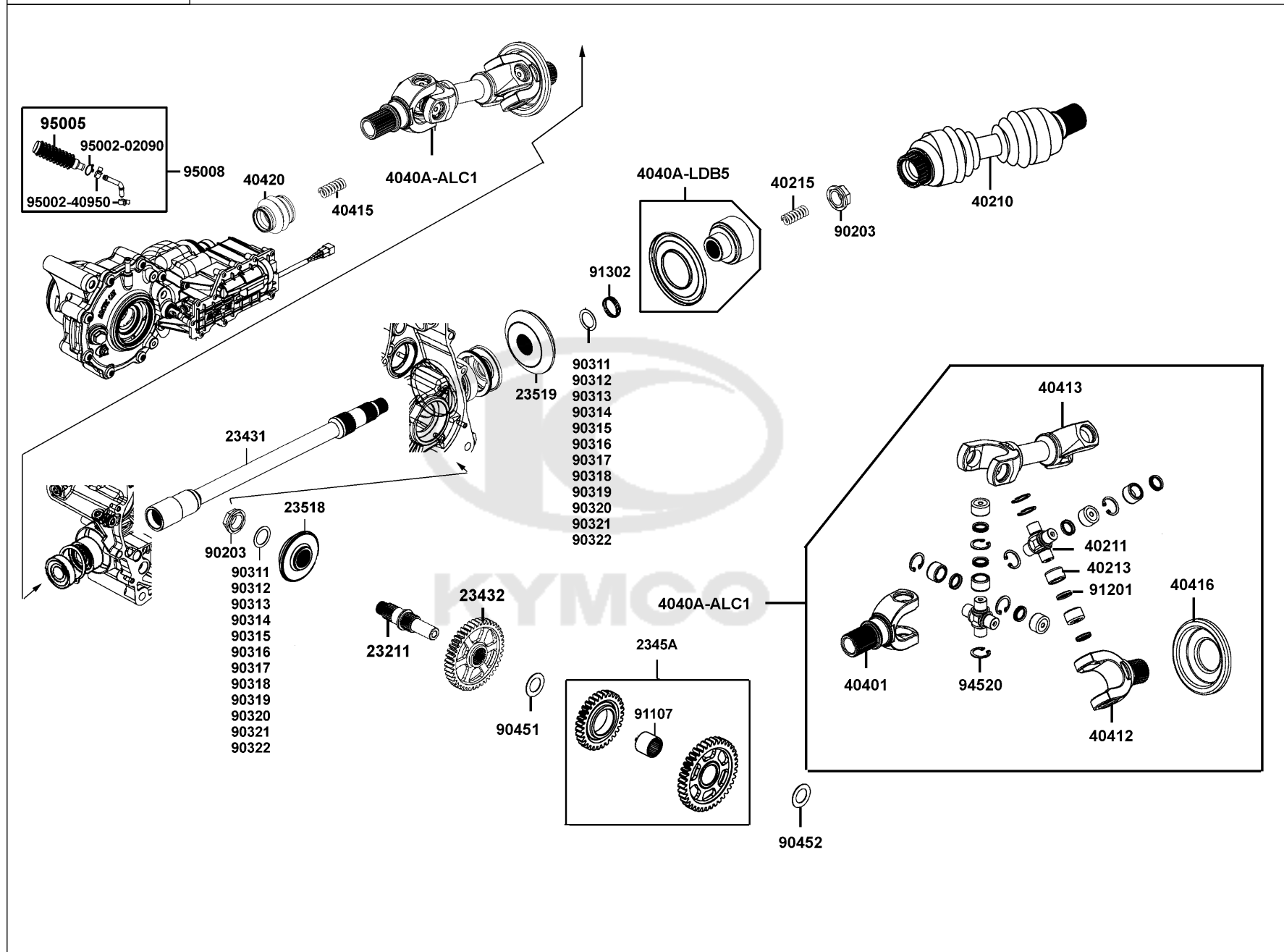
Clutch Assy Primary



Sales mark	Ref no	Part no	Description	Reg description	Regd no	E07
24610		24610-LKM5-E00	SPINDLE COMP GEAR SHIFT	SPINDLE COMP GEAR SHIFT	1	
24620		24620-LKM5-E00	PLATE COMP GEAR SHIFT	PLATE COMP GEAR SHIFT	1	
24651		24651-LKM5-E00	SPRING GEAR SHIFT RETURN	SPRING GEAR SHIFT RETURN	1	
90001		90001-GFY6-901	SOCKET BOLT 6*10 (B)	SOCKET BOLT 6*10 (B)	1	
90402		90402-LEA7-950	WASHER THRUST 14*28*2	WASHER THRUST 14*28*2	1	
90433		90433-KAE1-001	WASHER 14MM	WASHER 14MM	1	
90451		90451-LDB5-E00	WASHER THRUST 17MM	WASHER THRUST 17MM	2	
90452		90452-KED9-900	WASHER 25*31*1.5	WASHER 25*31*1.5	2	
90454		90454-1G07-001	WASHER THRUST 20MM B	WASHER THRUST 20MM B	2	
90605		90605-KED9-900	SET RING 28MM	SET RING 28MM	4	
94103		94103-06800	WASH PLAIN 6MM	WASH PLAIN 6MM	1	
94510		94510-20000	CIR CLIP EX 20	CIR CLIP EX 20	2	
94540		94540-12028	E RING 12	E RING 12	3	

E08

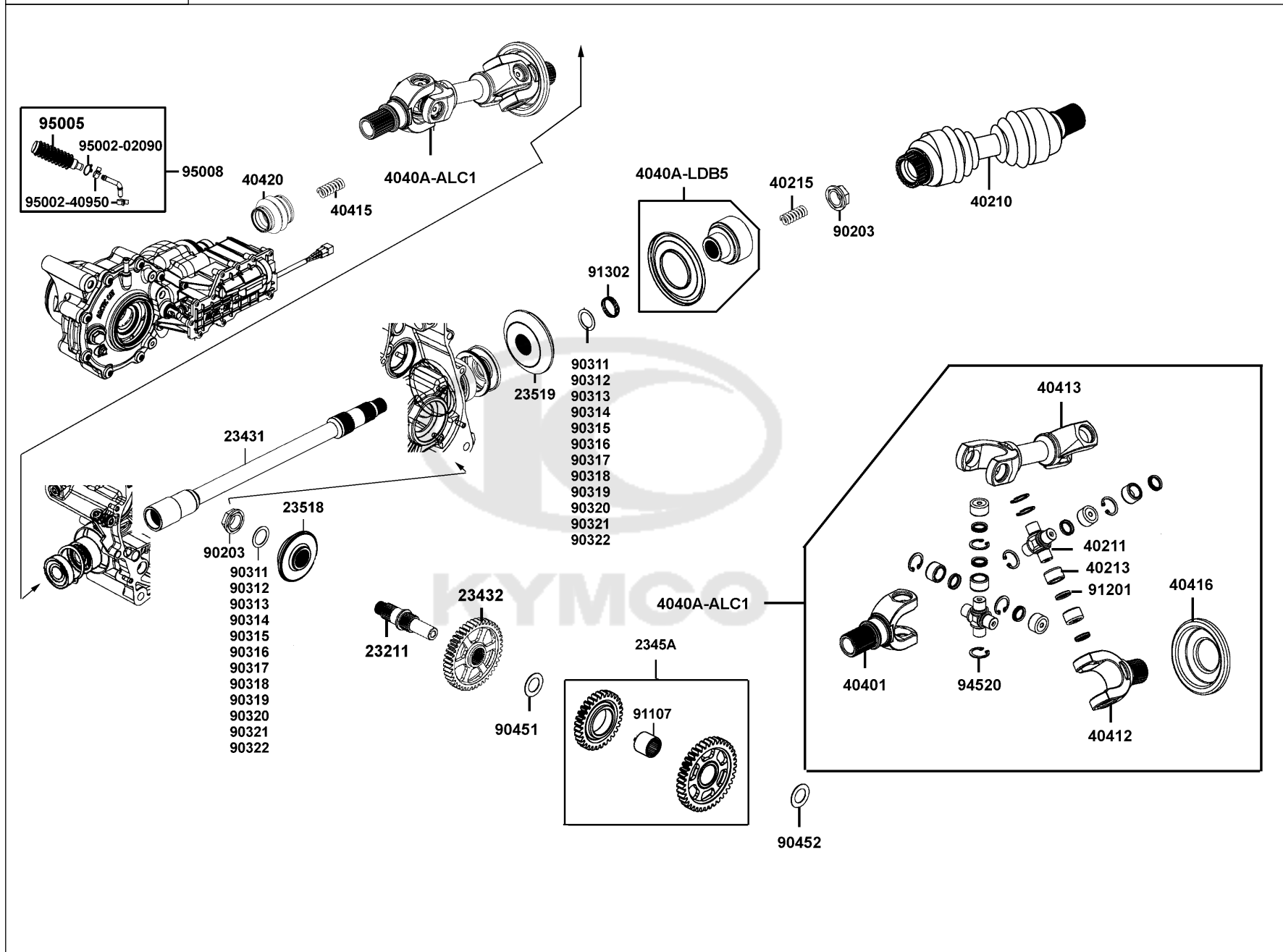
Shaft Reduction



Sales mark	Ref no	Part no	Description	Reg description	Regd no	E08
	23211	23211-LKM5-E00	SHAFT MAIN	SHAFT MAIN	1	
	23431	23431-LDB5-E00	SHAFT FINAL	SHAFT FINAL	1	
	23432	23432-LKM5-E00	GEAR FINAL	GEAR FINAL	1	
	2345A	2345A-LDB5-E00	GEAR COMP BACKWARD	GEAR COMP BACKWARD	1	
	23518	23518-LKM5-E00	BEVEL GEAR DRIVE (18T)	BEVEL GEAR DRIVE (18T)	1	
	23519	23519-LKM5-E00	BEVEL GEAR DRIVE (24T)	BEVEL GEAR DRIVE (24T)	1	
	40210	40210-LFE9-E00	CVJ REAR PROPELLER SHAFT	CVJ REAR PROPELLER SHAFT	1	
	40211	40211-LCD9-E00	SPIDER YORK	SPIDER YORK	4	
	40213	40213-LCD9-E00	BRG YORK 12*18*16	BRG YORK 12*18*16	16	
	40215	40215-LFE9-E00	SPRING REAR PROPELLER SHAFT	SPRING REAR PROPELLER SHAFT	1	
	40401	40401-ALC1-E00	YORK B FRONT U JOINT	YORK B FRONT U JOINT	1	
	4040A-ALC1	4040A-ALC1-E00	YOKE,DRIVE-FRONT ASSEMBLY	YOKE DRIVE FRONT ASSEMBLY	1	
	4040A-LDB5	4040A-LDB5-E00	COUPLING RR PROPELLER	COUPLING RR PROPELLER	1	
	40412	40412-LDB5-E00	YORK A. FRONT U JOINT	YORK A. FRONT U JOINT	1	
	40413	40413-ALC1-E00	YORK , FRONT U JOINT	YORK FRONT U JOINT	2	
	40415	40415-LDB5-E00	SPRING FR PROPELLER SHAFT	SPRING FR PROPELLER SHAFT	2	
	40416	40416-LDB5-E00	UNIVERSAL JOINT PLATE	UNIVERSAL JOINT PLATE	1	
	40420	40420-LFE9-E00	BOOT REAR PROPELLER SHAFT	BOOT REAR PROPELLER SHAFT	1	
	90203	90203-LDB5-E00	NUT FLANGE 20MM	NUT FLANGE 20MM	2	
	90311	90311-LDB5-E00	SHIM DRIVEN BEVEL GEAR A	SHIM DRIVEN BEVEL GEAR A (0.575~0.625)	2	

E08

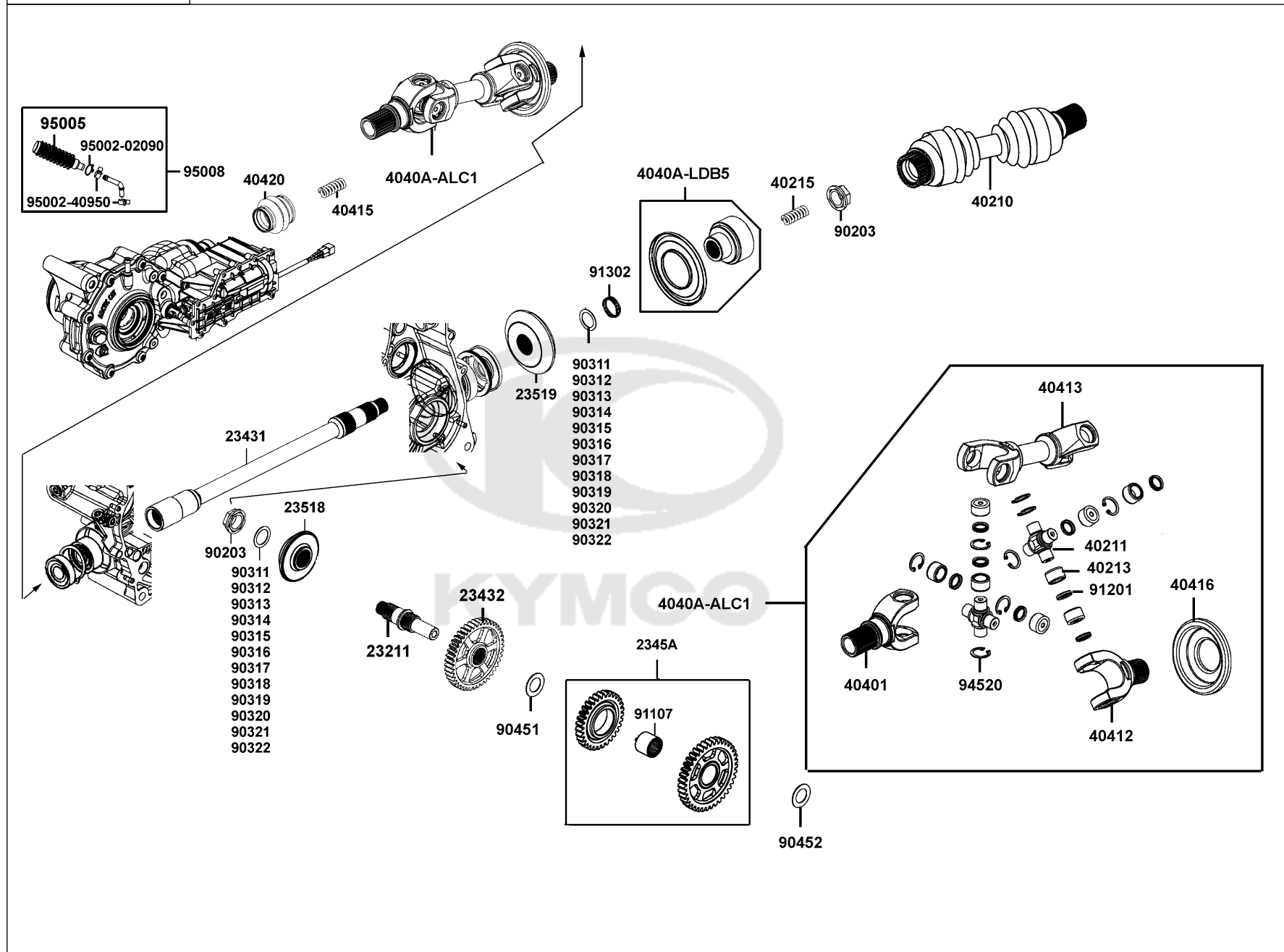
Shaft Reduction



Sales mark	Ref no	Part no	Description	Reg description	Regd no	E08
90312		90312-LDB5-E00	SHIM DRIVEN BEVEL GEAR B	SHIM DRIVEN BEVEL GEAR B (0.625~0.675)	2	
90313		90313-LDB5-E00	SHIM DRIVEN BEVEL GEAR C	SHIM DRIVEN BEVEL GEAR C (0.675~0.725)	2	
90314		90314-LDB5-E00	SHIM DRIVEN BEVEL GEAR D	SHIM DRIVEN BEVEL GEAR D (0.725~0.775)	2	
90315		90315-LDB5-E00	SHIM DRIVEN BEVEL GEAR E	SHIM DRIVEN BEVEL GEAR E (0.775~0.825)	2	
90316		90316-LDB5-E00	SHIM DRIVEN BEVEL GEAR F	SHIM DRIVEN BEVEL GEAR F (0.825~0.875)	2	
90317		90317-LDB5-E00	SHIM DRIVEN BEVEL GEAR G	SHIM DRIVEN BEVEL GEAR G (0.875~0.925)	2	
90318		90318-LDB5-E00	SHIM DRIVEN BEVEL GEAR H	SHIM DRIVEN BEVEL GEAR H (0.925~0.975)	2	
90319		90319-LDB5-E00	SHIM DRIVEN BEVEL GEAR I	SHIM DRIVEN BEVEL GEAR I (0.975~1.025)	2	
90320		90320-LDB5-E00	SHIM DRIVEN BEVEL GEAR J	SHIM DRIVEN BEVEL GEAR J (1.025~1.075)	2	
90321		90321-LDB5-E00	SHIM DRIVEN BEVEL GEAR K	SHIM DRIVEN BEVEL GEAR K (1.075~1.125)	2	
90322		90322-LDB5-E00	SHIM DRIVEN BEVEL GEAR L	SHIM DRIVEN BEVEL GEAR L (1.125~1.175)	2	
90451		90451-LBA7-900	WASHER THRUST 20MM	WASHER THRUST 20MM	1	
90452		90452-LDB5-E00	WASHER THRUST 20*36*3	WASHER THRUST 20*36*3	1	
91107		91107-LDB5-E00	BRG NEEDLE 20*28*23	BRG NEEDLE 20*28*23	1	
91201		91201-LCD9-E00	OIL SEAL 13*17.5*4.5	OIL SEAL 13*17.5*4.5	16	
91302		91302-LDB5-E00	O-RING 22MM	O-RING 22MM	1	
94520		94520-19000	CIR CLIP IN 19	CIR CLIP IN 19	16	
95002-02090		95002-02090	CLIP B9 TUBE	CLIP B9 TUBE	1	
95002-40950		95002-40950-08	CLAMP D9.5 TUBE	CLAMP D9.5 TUBE	2	
95005		95005-PWB1-900	BREATH TUBE RR GEAR ASSY	BREATH TUBE RR GEAR ASSY	1	

E08

Shaft Reduction



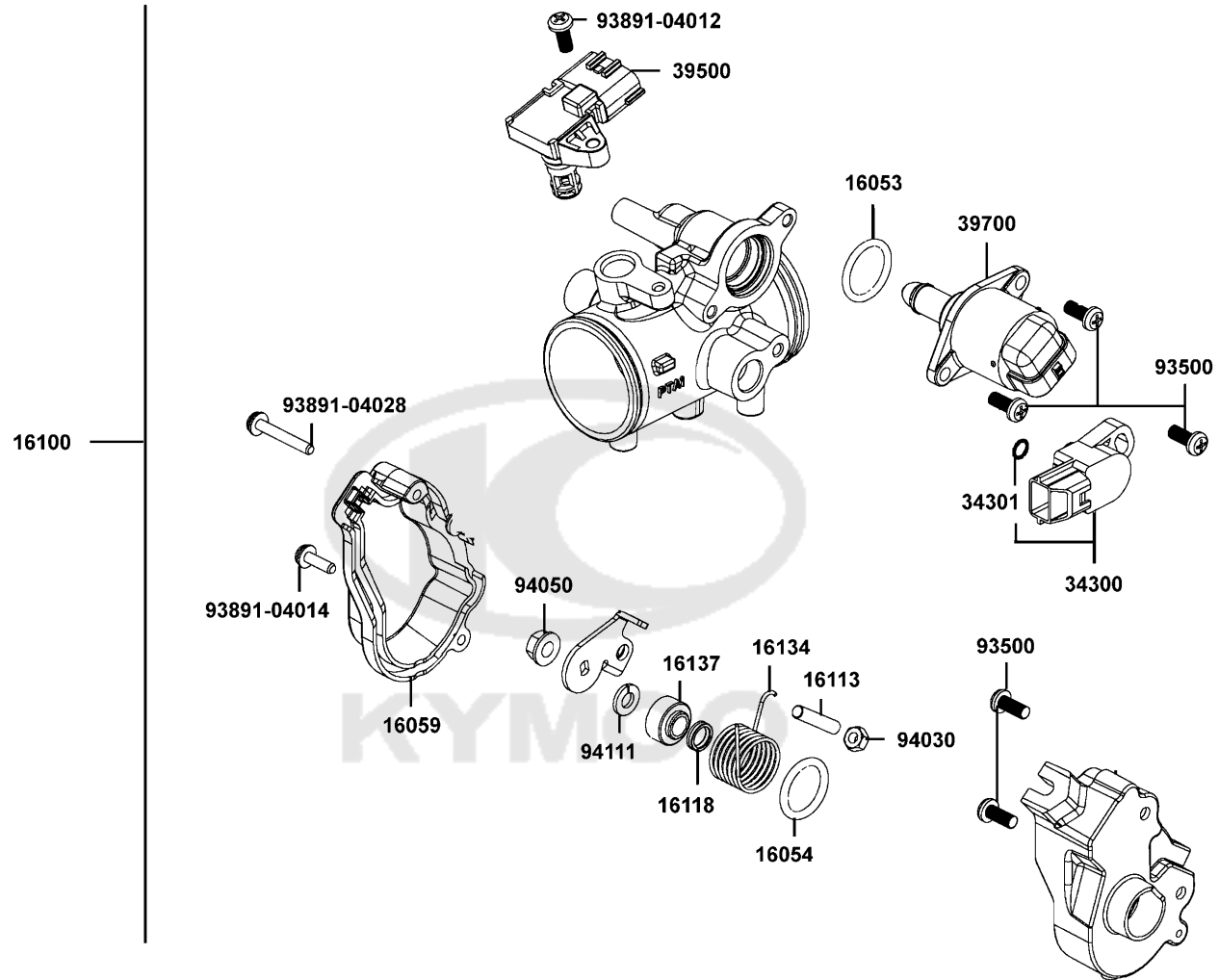
Sales mark	Ref no	Part no	Description	Reg description	Regd no	E08
------------	--------	---------	-------------	-----------------	---------	------------

95008	95008-ALC1-E00	HOSE VENT GEARCASE(120mm)	HOSE VENT GEARCASE(120mm)	HOSE VENT GEARCASE(120mm)	1	
-------	----------------	---------------------------	---------------------------	---------------------------	---	--



E09

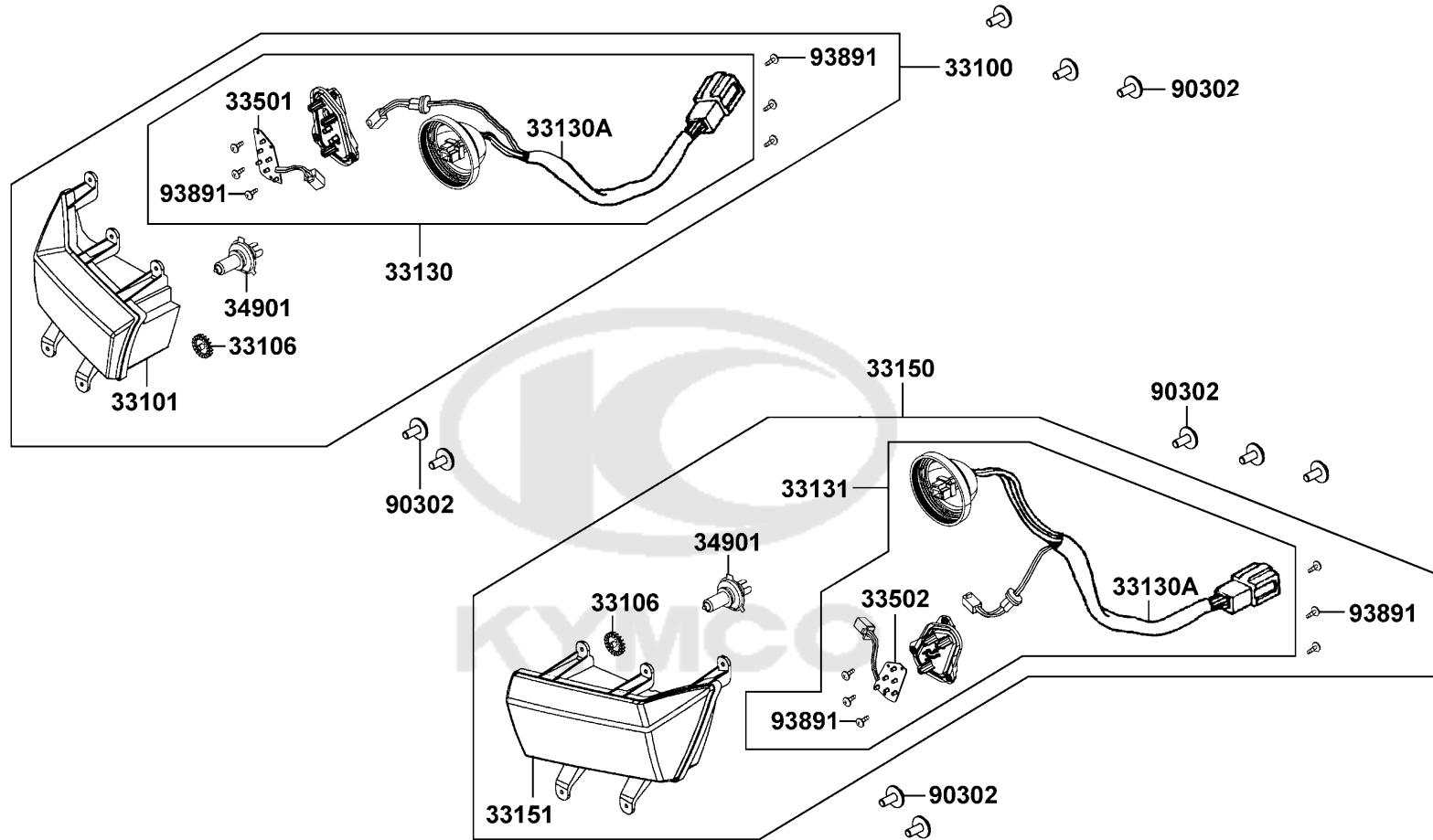
THROTTLE BODY, ASSY.



Sales mark	Ref no	Part no	Description	Reg description	Regd no	E09
	16053	16053-PTA1-800	SEAL	SEAL	1	
	16054	16054-PTA1-800	OIL RING	OIL RING	1	
**	16059	16059-LDB5-E00	COVER WIRE STAY	COVER WIRE STAY	1	
	16100	16100-AEC8-E00	THROTTLE BODY ASSY	THROTTLE BODY ASSY	1	
	16113	16113-PTA1-800	PILOT SCREW	PILOT SCREW	1	
	16118	16118-LBF2-900	SEAL THROTTLE SHAFT	SEAL THROTTLE SHAFT	1	
	16134	16134-LDB5-E00	SPG THROTTLE SHAFT	SPG THROTTLE SHAFT	1	
	16137	16137-PTA1-800	COLLAR LEVER	COLLAR LEVER	1	
	34300	34300-KKE3-900	THROTTLE POSITION SENSOR	THROTTLE POSITION SENSOR	1	
	34301	34301-KKE3-900	O-RING T.P.S.	O-RING T.P.S.	1	
	39500	39500-PTA1-800	SENSOR T-MAP	SENSOR T-MAP	1	
	39700	39700-PTA1-800	BY PASS VALVE IDLE AIR	BY PASS VALVE IDLE AIR	1	
	93500	93500-05012-0F	SCREW PAN 5X12	SCREW PAN 5X12	1	
	93891-04012	93891-04012-06	SCREW WASH 4*12	SCREW WASH 4*12	1	
	93891-04014	93891-04014-06	SCREW WASHER 4X14	SCREW WASHER 4X14	1	
	93891-04028	93891-04028-06	SCREW WASHER 4X28	SCREW WASHER 4X28	1	
	94030	94030-PTA1-800	NUT HEX 5mm	NUT HEX 5mm	1	
	94050	94050-06080	NUT FLANGE 6MM	NUT FLANGE 6MM	1	
	94111	94111-06800	WASHER SPRING 6MM	WASHER SPRING 6MM	1	

F01

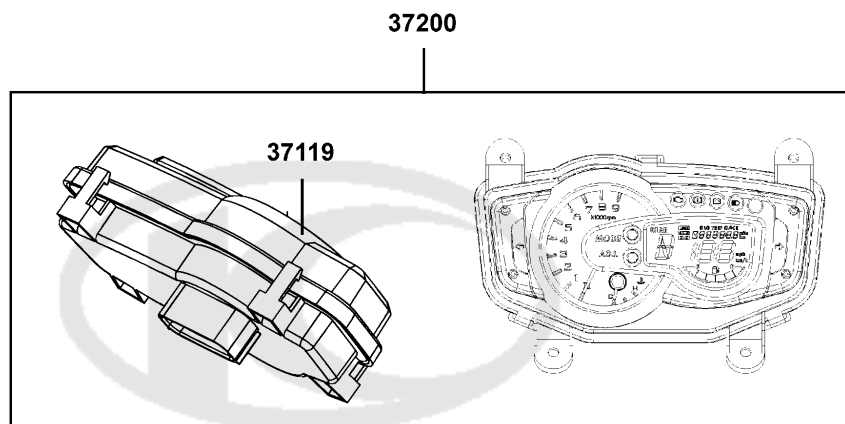
Head Light



Sales mark	Ref no	Part no	Description	Reg description	Regd no	F01
33100		33100-ALC1-E00	LIGHT ASSY..HEAD	LIGHT ASSY R HEAD	1	
33101		33101-ALC1-E00	UNIT HEAD R LIGHT	UNIT HEAD R LIGHT	1	
33106		33106-ALC1-E00	TURNTABLE ADJUST	TURNTABLE ADJUST	2	
33130		33130-ALC1-305	SOCKET R UNIT	SOCKET R UNIT	1	
33130A		33130-ALC1-E00	SOCKET UNIT	SOCKET UNIT	1	
33131		33131-ALC1-305	SOCKET L UNIT	SOCKET L UNIT	1	
33150		33150-ALC1-E00	LIGHT ASSYHEADL/H	LIGHT ASSY L HEAD	1	
33151		33151-ALC1-E00	UNIT HEAD L LIGHT	UNIT HEAD L LIGHT	1	
33501		33501-ALC1-E00	BULB R POSITION LIGHT	BULB R POSITION LIGHT	1	
33502		33502-ALC1-E00	BULB L POSITION LIGHT	BULB L POSITION LIGHT	1	
34901		34901-KFA6-900	BULB HEAD LIGHT	BULB HEAD LIGHT (HSI 12V 35/35W)	2	
90302		90302-PWA1-900	BOLT-WASH 5*16	BOLT-WASH 5*16	10	
93891		93891-ALC1-E00	SCREW TAPPING	SCREW TAPPING	12	

F02

Speed meter



93903



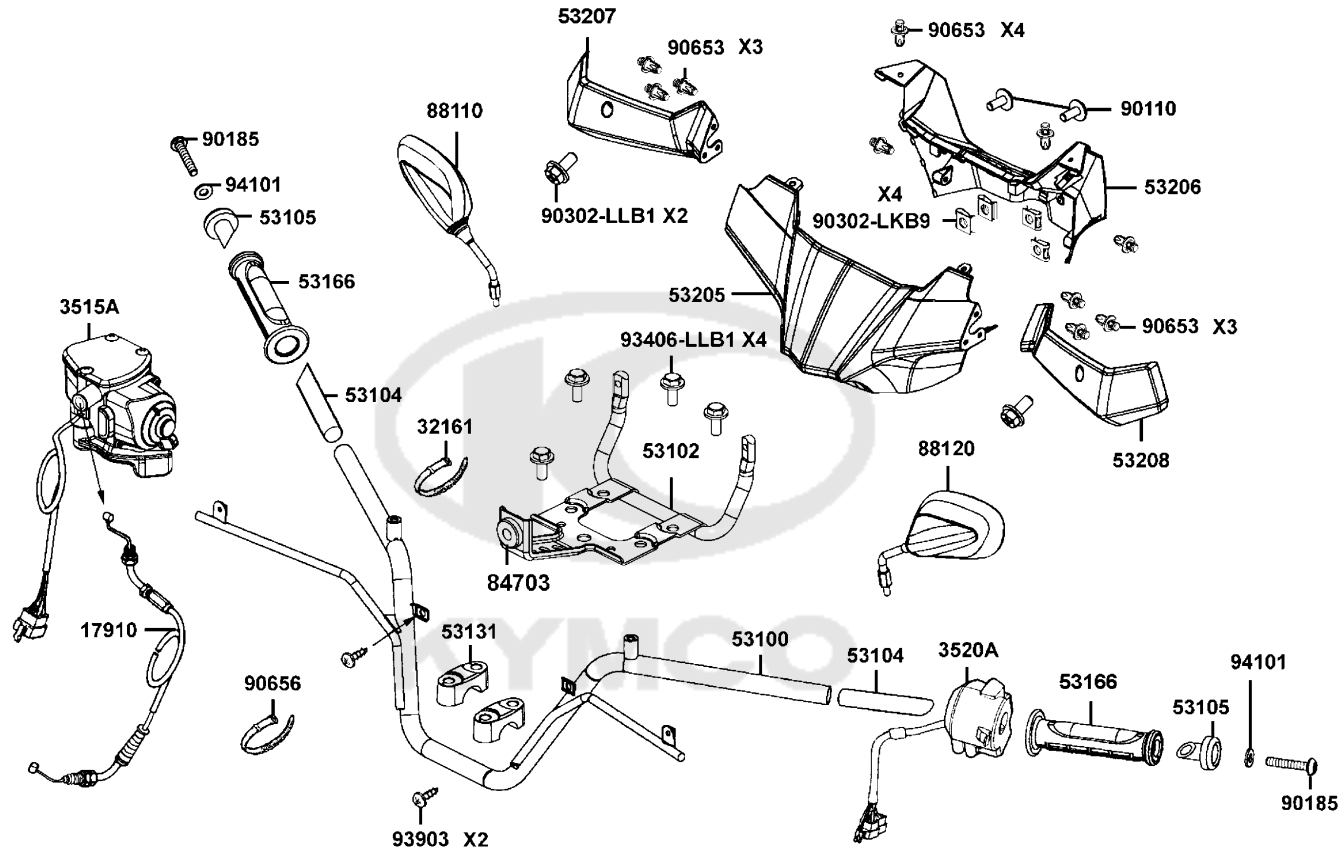
Sales mark	Ref no	Part no	Description	Reg description	Regd no	F02
------------	--------	---------	-------------	-----------------	---------	------------

37119		37119-ALC1-E00	LENS	LENS	1	
37200		37200-AEF8-E00	METER ASS'Y SPEED	METER ASS'Y SPEED	1	
93903		93903-35260	SCREW TAPPING 5*12	SCREW TAPPING 5*12	4	



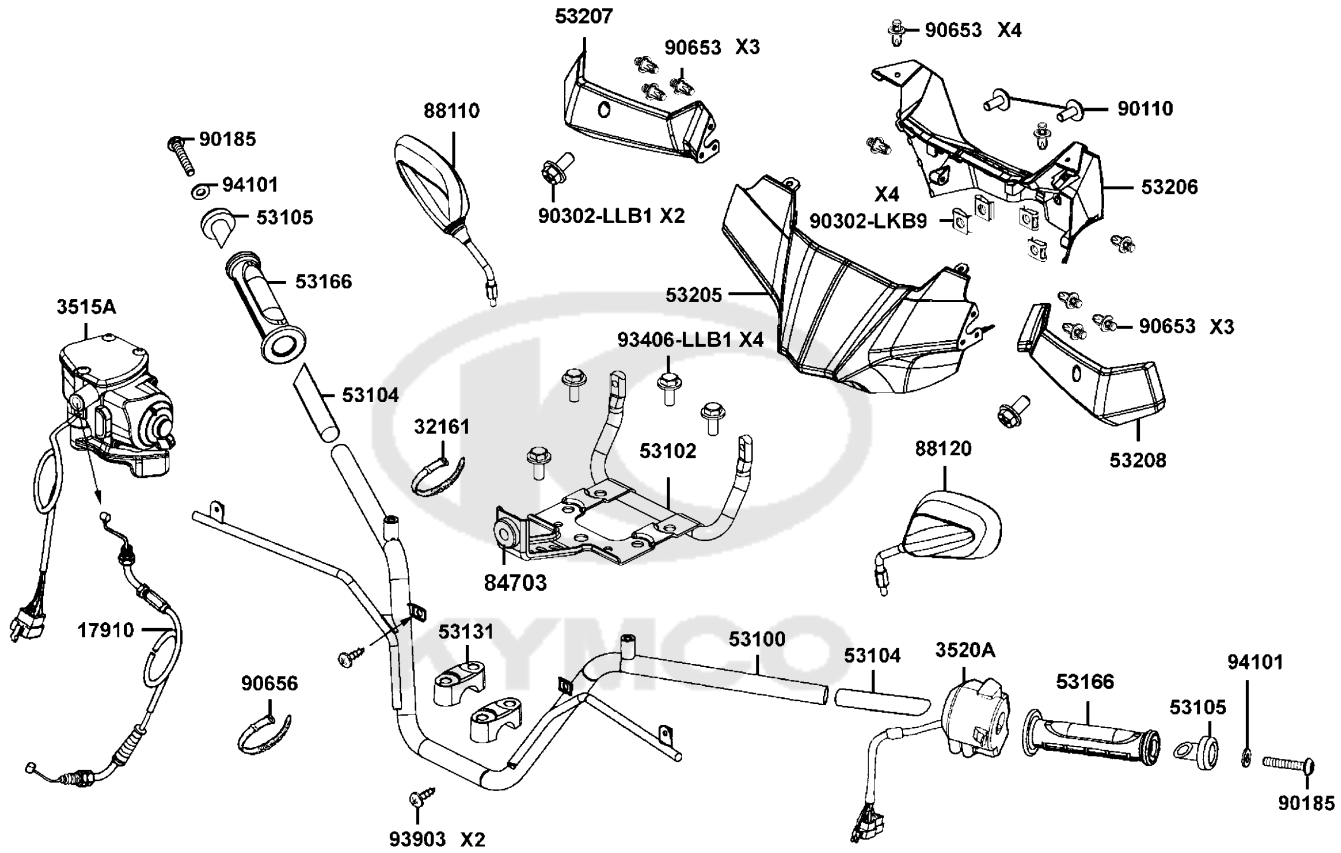
F03

Handle Steering



FRONT

Sales mark	Ref no	Part no	Description	Reg description	Regd no	F03
	17910	17910-LDB5-E00	CABLE COMP THROT	CABLE COMP THROT	1	
	32161	32161-4D04-001	BAND BI WIRE	BAND BI WIRE	2	
	3515A	3515A-AED1-E00	SW & THROT ASS'Y RH HANDLE	SW & THROT ASS'Y RH HANDLE	1	
	3520A	3520A-LDB5-EV0	SW ASSY HANDLE COMP (A.H.C.)	SW ASSY HANDLE COMP (A.H.C.)	1	
	53100	53100-ADG6-E00	HANDLEBAR	HANDLEBAR	1	
	53102	53102-ALC1-E00	STAY HANDLE COVER	STAY HANDLE COVER	1	
	53104	53104-PWB1-900	PLUG HANDLEBAR	PLUG HANDLEBAR	2	
	53105	53105-PWB1-900	END HANDLEBAR-BLACK	END HANDLEBAR-BLACK	2	
	53131	53131-4K39-001	HOLDER HANDLE PIPE	HOLDER HANDLE PIPE	2	
	53166	53166-LGC7-E00	GRIP HANDLEBAR	GRIP HANDLEBAR	2	
**	53205	53205-ADG6-E00	COVER FR HANDLE	COVER FR HANDLE	1	
**	53206	53206-ADG6-E00	COVER RR HANDLE	COVER RR HANDLE	1	
**	53207	53207-ADG6-E00	PROTECTOR R HANDLE	PROTECTOR R HANDLE	1	
**	53208	53208-ADG6-E00	PROTECTOR L HANDLE	PROTECTOR L HANDLE	1	
	84703	84703-LLB1-900	RUBBER TAIL LIGHT	RUBBER TAIL LIGHT	1	
**	88110	88110-LDF3-E01	MIRROR ASSY R BACK	MIRROR ASSY R BACK	1	
**	88120	88120-LDF3-E01	MIRROR ASSY L BACK	MIRROR ASSY L BACK	1	
	90110	90110-PRB3-900	SCREW SPECUAL 5x16	SCREW SPECUAL 5x16	2	
	90185	90185-PWB1-900	SOCKET BOLT 8x45	SOCKET BOLT 8x45	2	
	90302-LKB9	90302-LKB9-900	NUT SPRING 5MM	NUT SPRING 5MM	4	



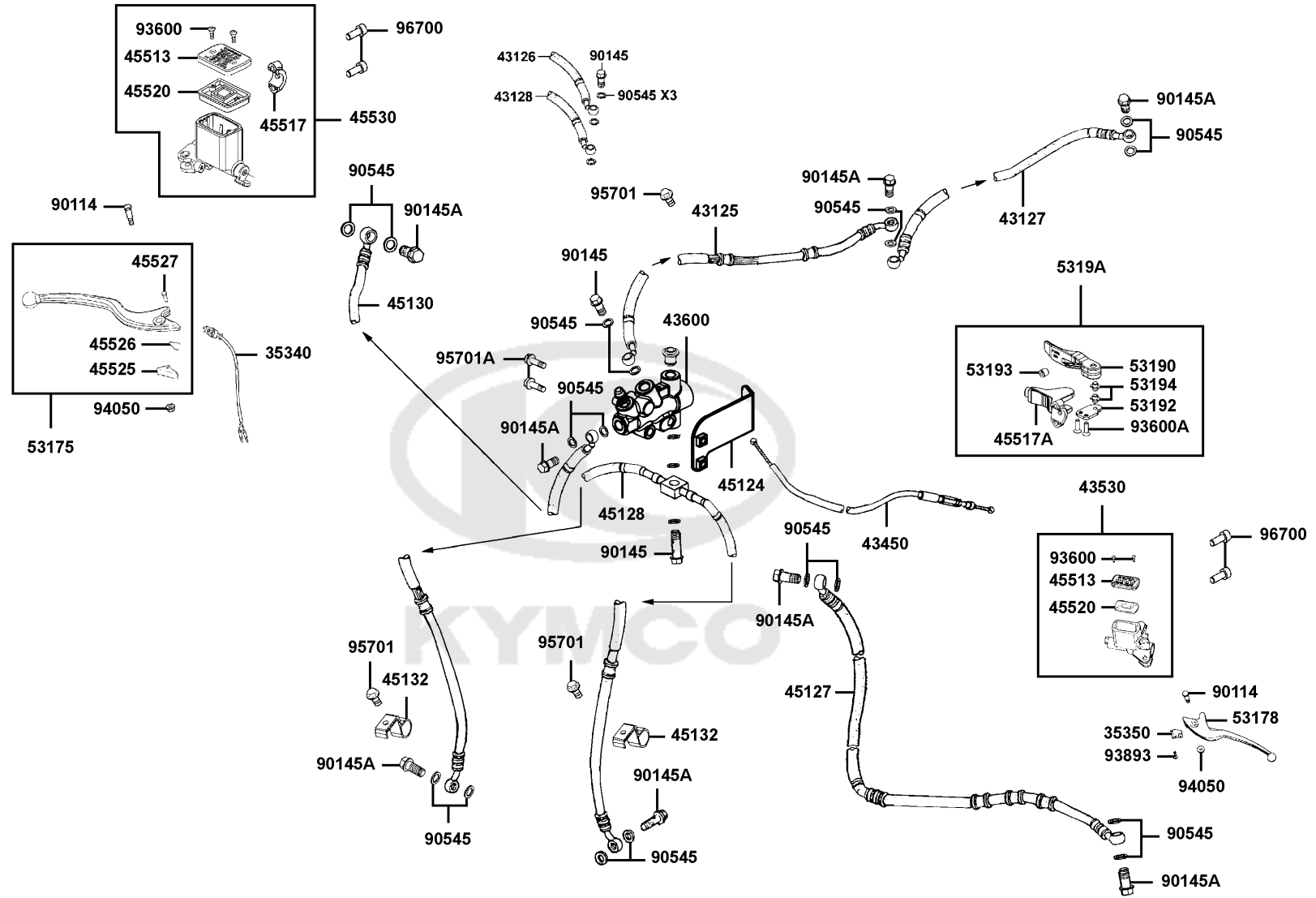
Sales mark	Ref no	Part no	Description	Reg description	Regd no	F03
	90302-LLB1	90302-LLB1-E00	BOLT-WASHER 5*12	BOLT-WASHER 5*12	2	
	90653	90653-LKB9-900	CLIP.MUDGUARD	CLIP MUDGUARD	10	
	90656	90656-KCBC-900	BAND OIL HANDLE 8X146	BAND OIL HANDLE 8X146	8	
	93406-LLB1	93406-LLB1-900	BOLT-WASHER 8*35	BOLT-WASHER 8*35	4	
	93903	93903-35360	SCREW TAPPING 5*16	SCREW TAPPING 5*16	2	
	94101	94101-08600	WASH PLAIN 8MM	WASH PLAIN 8MM	2	



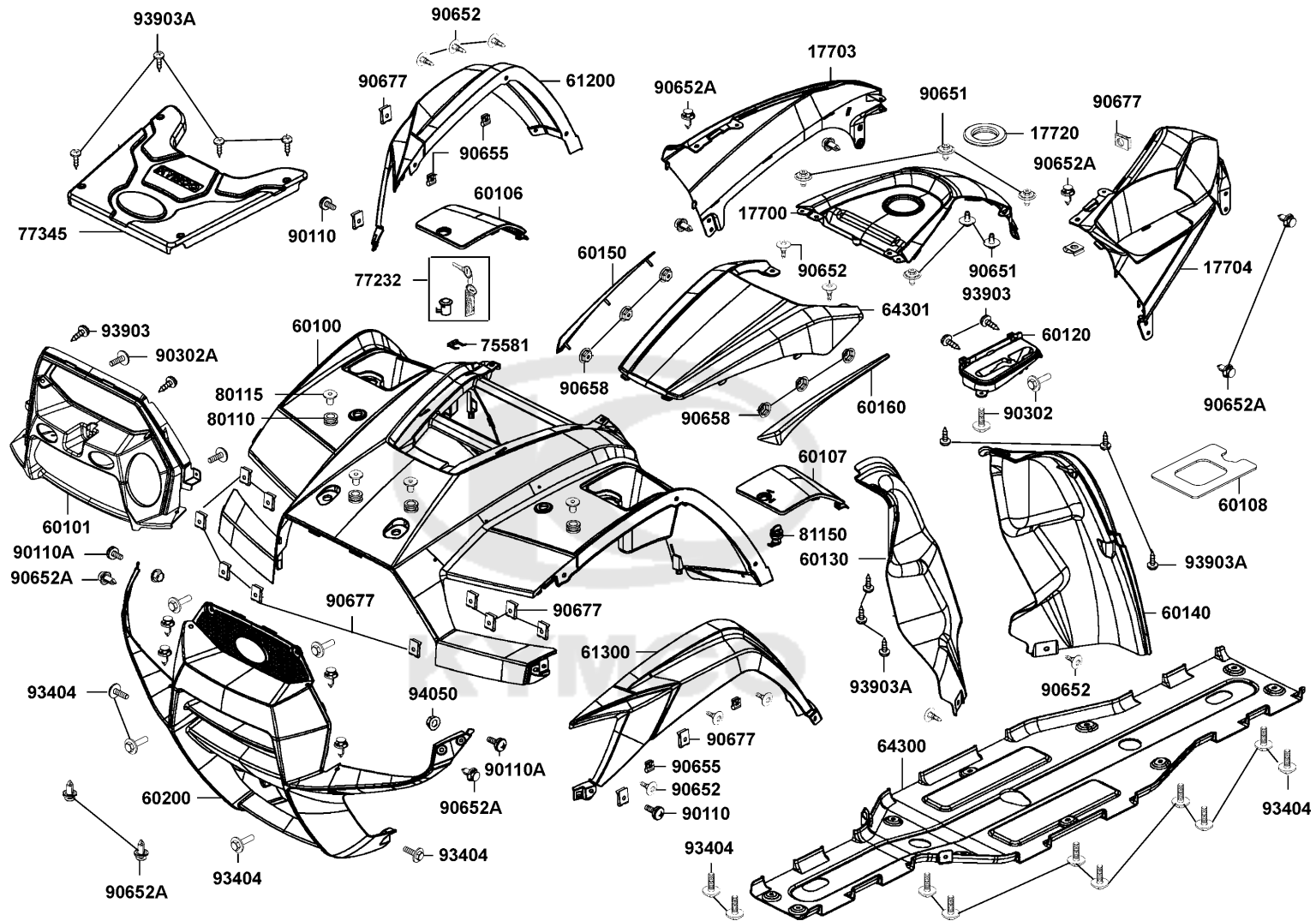
Sales mark	Ref no	Part no	Description	Reg description	Regd no	F04
	35340	35340-LDB5-900	SW ASSY FR STOP	SW ASSY FR STOP	1	
	35350	35350-KNBN-901	SW ASSY RR STOP	SW ASSY RR STOP	1	
	43125	43125-AAJ5-E00	HOSE ASSY BRAKE	HOSE ASSY BRAKE	1	
	43126	43126-AEC8-E00	HOSE ASSY RR BRAKE R	HOSE ASSY RR BRAKE R	1	
	43127	43127-AEC8-E00	HOSE ASSY. RR BEAKE (FOOT TO PGV)	HOSE ASSY. RR BEAKE (FOOT TO PGV)	1	
	43128	43128-AEC8-E00	HOSE ASSY RR BRAKE L	HOSE ASSY RR BRAKE L	1	
	43450	43450-AEC8-E00	CABLE PARKING BRAKE	CABLE PARKING BRAKE	1	
	43530	43530-LFE9-306	MASTER CYLINDER ASSY RR	MASTER CYLINDER ASSY RR	1	
	43600	43600-LDB5-E00	PGV ASSY	PGV ASSY	1	
	45124	45124-AAJ5-E00	STAY PGV	STAY PGV	1	
	45127	45127-AEC8-E00	HOSE ASSY RR BRAKE	HOSE ASSY RR BRAKE	1	
	45128	45128-AAJ5-E00	HOSE ASSY BRAKE - JUNCTION	HOSE ASSY BRAKE - JUNCTION	1	
	45130	45130-ALC1-E00	HOSE ASSY FR BRAKE-RH	HOSE ASSY FR BRAKE-RH	1	
	45132	45132-LBA7-900	CLAMPER FR BRAKE HOSE	CLAMPER FR BRAKE HOSE	2	
	45513	45513-KKC4-900	CAP M/C	CAP M/C	2	
	45517	45517-KFAF-910	HOLDER M/C	HOLDER M/C	2	
	45517A	45517-PRB3-900	BRACKET PARK BRK	BRACKET PARK BRK	1	
	45520	45520-KKC4-900	DIAPHRAGM	DIAPHRAGM	2	
	45525	45525-LBA7-900	STOPPER	STOPPER	1	
	45526	45526-LBA7-900	SPRING	SPRING	1	

F04

Master Cylinder



Sales mark	Ref no	Part no	Description	Reg description	Regd no	F04
	45527	45527-LBA7-900	PIN PARK	PIN PARK	1	
	45530	45530-LDB5-305	CYLINDER SET FR	CYLINDER SET FR	1	
**	53175	53175-LDB5-305	LEVER SET BRK	LEVER SET BRK	1	
**	53178	53178-KEBE-900	LEVER L STRG HNDL	LEVER L STRG HNDL	1	
	53190	53190-ALC1-E00	LEVER	LEVER	1	
	53192	53192-PRB3-900	STAY	STAY	1	
	53193	53193-PRB3-900	STOPPER	STOPPER	1	
	53194	53194-PRB3-900	PIVOT	PIVOT	2	
	5319A	5319A-ALC1-E00	BRAKE ASSY PARKING	BRAKE ASSY PARKING	1	
	90114	90114-1F66-007	BOLT HANDLE LEVER	BOLT HANDLE LEVER	2	
	90145	90145-LBA2-E00	OIL BOLT 10*33	OIL BOLT 10*33	1	
	90145A	90145-LEA3-E00	OIL BOLT 10*22	OIL BOLT 10*22	9	
	90545	90545-3L00-001	WASHER OIL BOLT	WASHER OIL BOLT	21	
	93600	93600-04012-1G	SCREW FLAT 4*12	SCREW FLAT 4*12	4	
	93600A	93600-PRB3-900	SCREW 6X12	SCREW 6X12	2	
	93893	93893-04012-18	SCREW WASHER 4*12	SCREW WASHER 4*12	1	
	94050	94050-06060	NUT FLANGE 6MM	NUT FLANGE 6MM	2	
	95701	95701-06012-06	BOLT FLANGE 6*12 **07 C.2005.07.01	BOLT FLANGE 6X12	2	
	95701A	95701-06040-06	BOLT FLANGE 6*40	BOLT FLANGE 6*40	2	
	96700	96700-06020-06	SOCKET BOLT 6X20	SOCKET BOLT 6X20	4	



Sales mark	Ref no	Part no	Description	Reg description	Regd no	F05
**	17700	17700-ALC1-E00	COVER TANK BLACK	COVER TANK BLACK	1	
**	17703	17703-ALC1-600	TANK COVER R SIDE	TANK COVER R SIDE	1	
**	17704	17704-ALC1-600	TANK COVER L SIDE	TANK COVER L SIDE	1	
	17720	17720-LBA7-900	TRAY TANK COVER	TRAY TANK COVER	1	
**	60100	60100-ALC1-600	FENDER FRONT	FENDER FRONT	1	
**	60101	60101-ALC1-600	PANEL TRIM FR FENDER BLACK	PANEL TRIM FR FENDER BLACK	1	
**	60106	60106-ALC1-600	LID R TOOL BOX	LID R TOOL BOX	1	
**	60107	60107-ALC1-600	LID L TOOL BOX	LID L TOOL BOX	1	
	60108	60108-ALC1-E00	SEAL LID	SEAL LID	1	
**	60120	60120-ALC1-E00	GUIDE COVER CHANGE HANDLE	GUIDE COVER CHANGE HANDLE	1	
**	60130	60130-LFE9-E01	PROTECTOR R	PROTECTOR R	1	
**	60140	60140-LFE9-E01	PROTECTOR L	PROTECTOR L	1	
**	60150	60150-ALC1-600	PANEL R TRIM	PANEL R TRIM	1	
**	60160	60160-ALC1-600	PANEL L RIM	PANEL L RIM	1	
**	60200	60200-ALC1-E00	MUDGUARD FRONT BLACK	MUDGUARD FRONT BLACK	1	
**	61200	61200-ALC1-E00	MUDGUARD R FR SIDE	MUDGUARD R FR SIDE	1	
**	61300	61300-ALC1-E00	MUDGUARD L FR SIDE	MUDGUARD L FR SIDE	1	
**	64300	64300-LFE9-E01	PLATE SKID	PLATE SKID	1	
**	64301	64301-ALC1-E00	COVER FRONT	COVER FRONT	1	
	75581	75581-6C73-001	SET SPG LOCK KEY	SET SPG LOCK KEY	1	

Sales mark	Ref no	Part no	Description	Reg description	Regd no	F05
	77232	77232-GLW0-318-M2	LOCK SET FUEL LID	LOCK SET FUEL LID	1	
**	77345	77345-ALC1-E00	PLATE FR CARRIER RACK	PLATE FR CARRIER RACK	1	
	80110	80110-LDB5-900	RUBBER FENDER **(0) C.2006.09.07	RUBBER FENDER **(0) C.2006.09.07	2	
	80115	80115-LDB5-900	COLLAR FENDER	COLLAR FENDER	2	
	81150	81150-LEA7-E00	LOCKLESS ASSY	LOCKLESS ASSY	1	
	90110	90110-PRB3-900	SCREW SPECUAL 5x16	SCREW SPECUAL 5x16	2	
	90110A	90110-PWB1-900	SCREW SPECIAL 6X20	SCREW SPECIAL 6X20	2	
	90302	90302-GBR2-001	BOLT WASH 5*16	BOLT WASH 5*16	2	
	90302A	90302-PWA1-900	BOLT-WASH 5*16	BOLT-WASH 5*16	2	
	90651	90651-LCA5-E00	CLIP FENDER	CLIP FENDER	6	
	90652	90652-LCA4-E00	CLIP MUDGUARD	CLIP MUDGUARD	10	
	90652A	90652-LDB5-900	CLIP MUDGUARD	CLIP MUDGUARD	14	
	90655	90655-PWA2-900	CLIP FENDER MOUNTING	CLIP FENDER MOUNTING	4	
	90658	90658-PWA2-900	NUT STAMPED	NUT STAMPED	6	
	90677	90677-GAR1-004	NUT CLIP 5MM	NUT CLIP 5MM	16	
	93404	93404-06016-06	BOLT WASHER 6*16	BOLT WASHER 6*16	16	
	93903	93903-35260	SCREW TAPPING 5*12	SCREW TAPPING 5*12	4	
	93903A	93903-35360	SCREW TAPPING 5*16	SCREW TAPPING 5*16	10	
	94050	94050-LDE9-E00	NUT LOCK	NUT LOCK	2	

Sales mark	Ref no	Part no	Description	Reg description	Regd no	F06
	47400	47400-PWB1-900	KNUCKLE STEERING-RH ASSEMBLY	KNUCKLE STEERING-RH ASSEMBLY	1	
	47500	47500-PWB1-900	KNUCKLE STEERING-LH ASSEMBLY	KNUCKLE STEERING-LH ASSEMBLY	1	
**	51400	51400-ALC1-E00	CUSHION ASSY FR (RED)	CUSHION ASSY FR (RED)	2	
	52103	52103-ALC1-E00	SLEEVE SUSPENSION	SLEEVE SUSPENSION	2	
	52104	52104-PWB1-900	SLEEVE SUSPENSION	SLEEVE SUSPENSION	4	
	52108	52108-PWB1-900	BUSHING SUSPENSION	BUSHING SUSPENSION	12	
	52144	52144-PWB1-900	SEAL SUSPENSION	SEAL SUSPENSION	12	
	53200	53200-AAJ5-E00	STEERING POST EPS	STEERING POST EPS	1	
	53203	53203-AAJ5-E00	PITMAN ARM ASSY.	PITMAN ARM ASSY.	1	
	53251	53251-LCA5-E00	HOLDER STEM STEERING	HOLDER STEM STEERING	2	
	53252	53252-LBA7-900	CLAMPER STEM HOLDER	CLAMPER STEM HOLDER	1	
	53254	53254-LBA7-900	SLEEVE STEM	SLEEVE STEM	1	
	53260	53260-AAJ5-E00	EPS ASSY	EPS ASSY	1	
**	53400	53400-ALC1-E01	A-ARM ASSY FRONT UPPER R	A-ARM ASSY FRONT UPPER R	1	
	53410	53410-PRB1-900	BALL JOINT ASSY	BALL JOINT ASSY	1	
**	53450	53450-ALC1-E01	A-ARM ASSY FRONT LOWER R	A-ARM ASSY FRONT LOWER R	1	
**	53500	53500-ALC1-E01	A-ARM ASSY FRONT UPPER L	A-ARM ASSY FRONT UPPER L	1	
**	53550	53550-ALC1-E01	A-ARM ASSY FRONT LOWER L	A-ARM ASSY FRONT LOWER L	1	
	53700	53700-ALC1-E00	TIE ROD ASSY	TIE ROD ASSY	2	
	53701	53701-ALC1-E00	TIE ROD	TIE ROD	2	

Sales mark	Ref no	Part no	Description	Reg description	Regd no	F06
	53702	53702-ALC1-E00	JOINT R BALL	JOINT R BALL	2	
	53703	53703-ALC1-E00	JOINT L BALL	JOINT L BALL	2	
**	64330	64330-LFE9-E01	GUARD R BOOT	GUARD R BOOT	1	
**	64340	64340-LFE9-E01	GUARD L BOOT	GUARD L BOOT	1	
	90304	90304-GLW0-90A	NUT U FLANGE 10MM	NUT U FLANGE 10MM	10	
	90305	90305-KNBN-90B	NUT U 16MM	NUT U 16MM	1	
	93404	93404-06016-06	BOLT WASHER 6*16	BOLT WASHER 6*16	2	
	94001-12080	94001-12080	NUT HEX 12MM	NUT HEX 12MM	2	
	94001-LGC7	94001-LGC7-E00	NUT HEX LH 12MM	NUT HEX LH 12MM	2	
	94011	94011-LKA8-E00	NUT CASTLE 10MM	NUT CASTLE 10MM	4	
	94050	94050-08060	NUT FLANGE 8MM	NUT FLANGE 8MM	1	
	94201	94201-25250	PIN SPLIT 2.5*25	PIN SPLIT 2.5*25	4	
	94510	94510-PWB1-900	CIRCLIP EX 29	CIRCLIP EX 29	4	
	94520	94520-55000	CIR CLIP IN 55	CIR CLIP IN 55	2	
	95801-08040	95801-08040-06	BOLT FLANGE 8*40	BOLT FLANGE 8*40	5	
	95801-08060	95801-08060-06	BOLT FLANGE 6*60	BOLT FLANGE 6*60	2	
	95801-10030	95801-10030-06	BOLT FLANGE 10X30	BOLT FLANGE 10X30	4	
	95801-10040	95801-10040-06	BOLT FLANGE 10X40	BOLT FLANGE 10X40	4	
	95801-10085	95801-10085-06	BOLT FLANGE 10*85	BOLT FLANGE 10*85	4	
	95802	95802-PWB1-900	SCREW, CAP-HFH M10x1.25	SCREW, CAP-HFH M10x1.25	2	

Sales mark	Ref no	Part no	Description	Reg description	Regd no	F06
------------	--------	---------	-------------	-----------------	---------	------------

96151

96151-PWB1-900

BEARING WHEEL

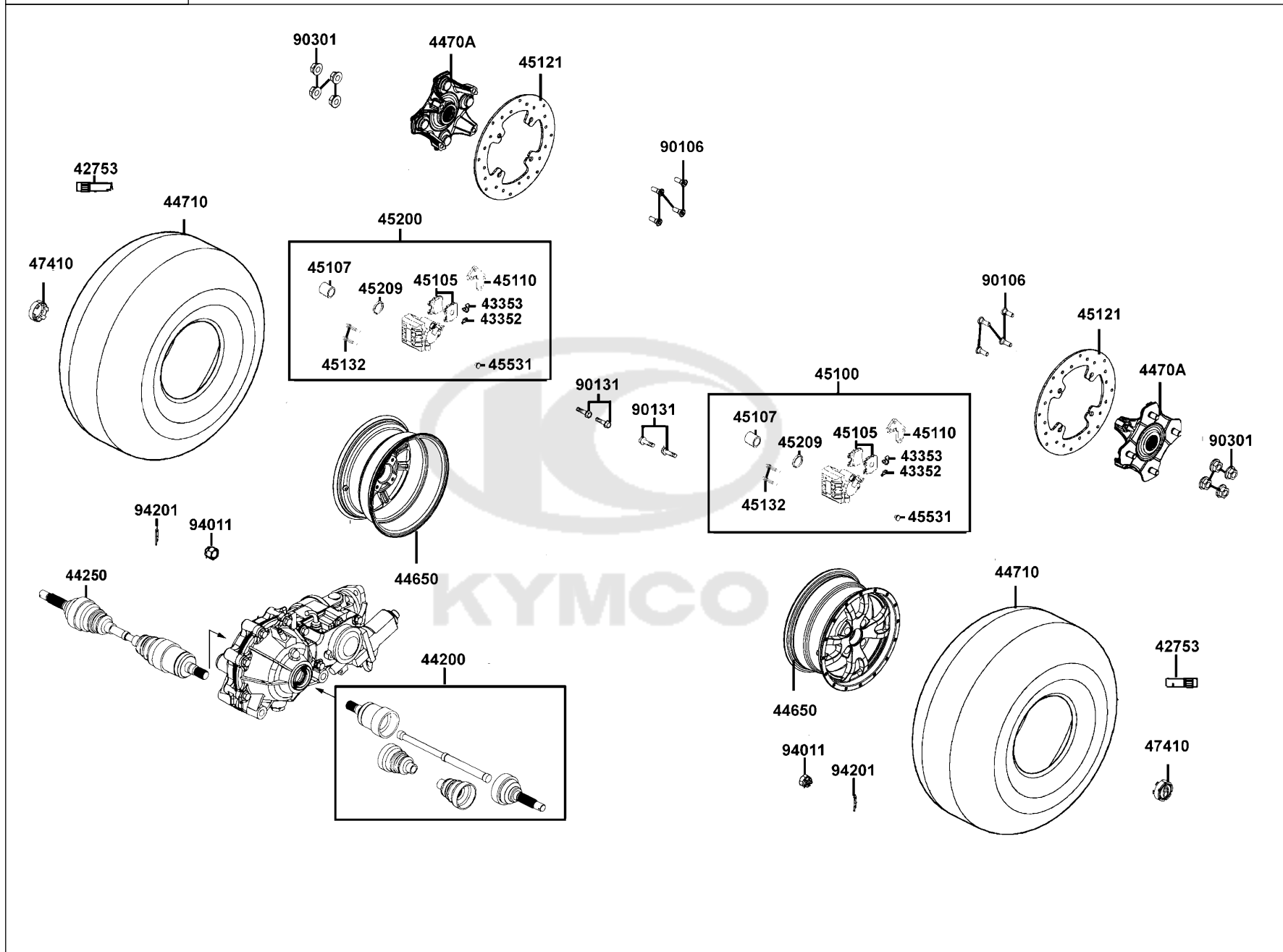
BEARING WHEEL

2



F07

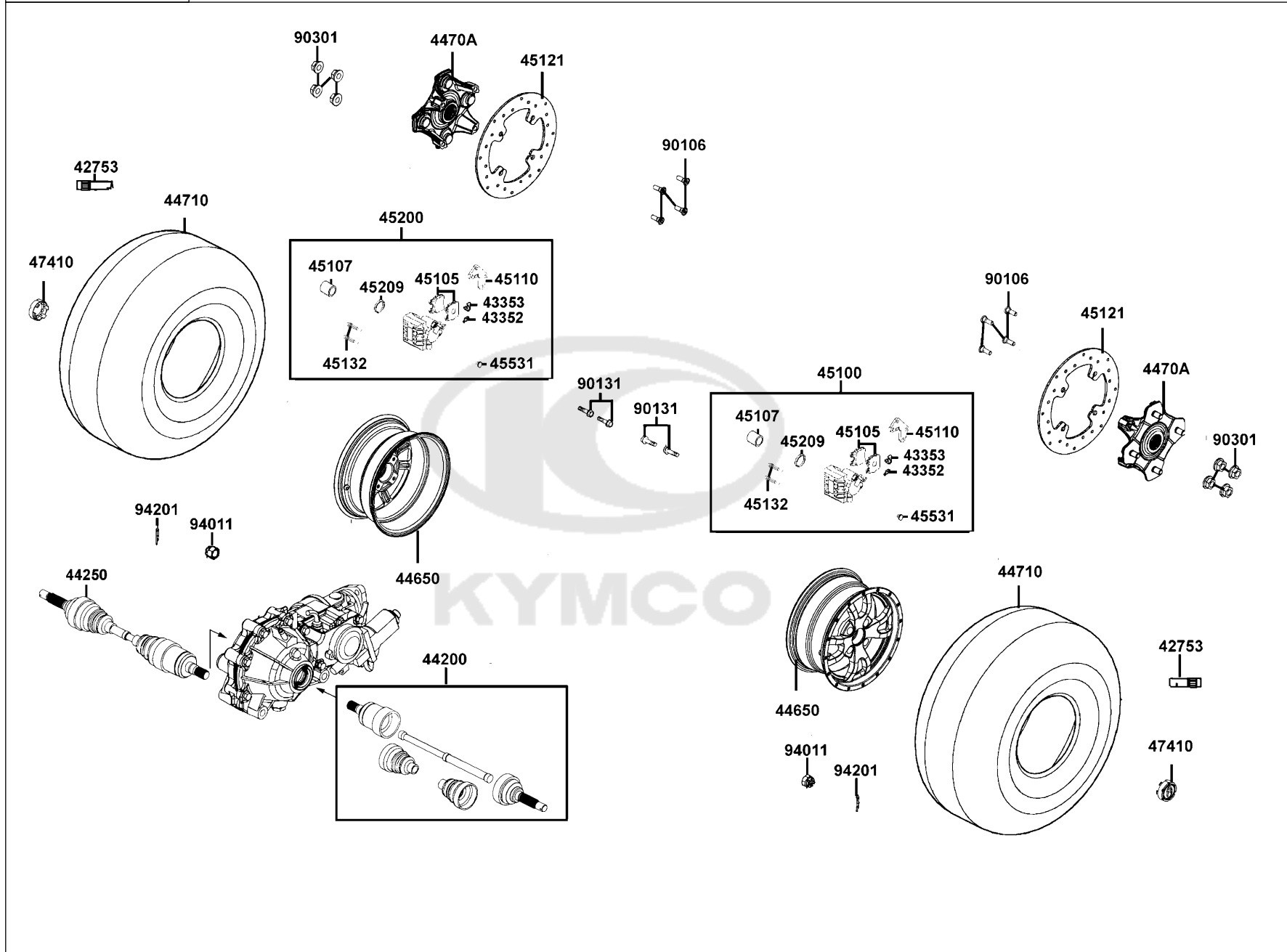
Front Wheel



Sales mark	Ref no	Part no	Description	Reg description	Regd no	F07
	42753	42753-KNBN-90B	VALAE RIM (TR412)	VALAE RIM (TR412)	2	
	43352	43352-KKD6-E90	SCREW BLEEDER	SCREW BLEEDER	2	
	43353	43353-4A61-77A	CAP BLEEDER	CAP BLEEDER	2	
	44200	44200-ALC1-E00	HALF SHAFT FRONT-RH	HALF SHAFT FRONT-RH	1	
	44250	44250-ALC1-E00	HALF SHAFT FRONT-LH	HALF SHAFT FRONT-LH	1	
	44650	44650-ALD6-E00	WHEEL SET FRONT	WHEEL SET FRONT	2	
	4470A	4470A-LFA5-E01	HUB ASSEMBLY	HUB ASSEMBLY	2	
	44710	44710-ALD6-E00	TIRE ASSY FR AT26*8-14 6PR /MAXXIS	TIRE ASSY FR AT26*8-14 6PR /MAXXIS	2	
**	45100	45100-LFE9-E00	CALIPER ASSY FR BRK-RH	CALIPER ASSY FR BRK-RH	1	
	45105	45105-LFE9-305	PAD SET	PAD SET	2	
	45107	45107-LFE9-E00	PISTON	PISTON	2	
	45110	45110-LFE9-305	BRACKET	BRACKET	2	
	45121	45121-PWB1-900	DISK BRAKE	DISK BRAKE	2	
	45132	45132-LDH1-E00	BUSH BOOT PIN	BUSH BOOT PIN	4	
**	45200	45200-LFE9-E00	CALIPER ASSY FR BRK-LH	CALIPER ASSY FR BRK-LH	1	
	45209	45209-LFE9-E00	SEAL PISTON	SEAL PISTON	4	
	45531	45531-GAR1-951	PLUG	PLUG	2	
	47410	47410-ALD6-E00	CAP WHEEL CENTER	CAP WHEEL CENTER	2	
	90106	90106-PWB1-900	BOLT SHOULDER	BOLT SHOULDER	8	
	90131	90131-PRB3-900	BOLT FLANGE 8X20	BOLT FLANGE 8X20	4	

F07

Front Wheel



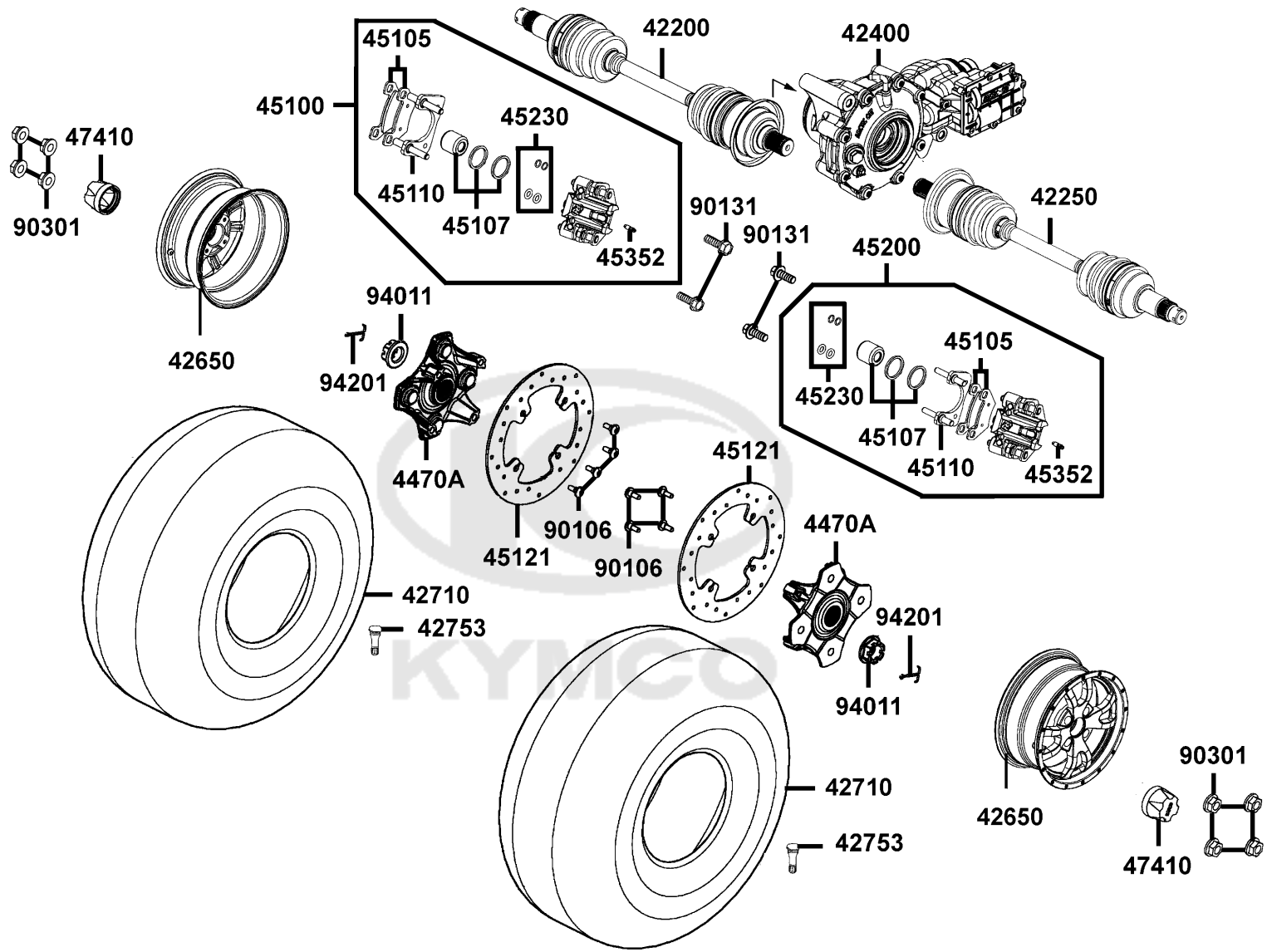
Sales mark	Ref no	Part no	Description	Reg description	Regd no	F07
------------	--------	---------	-------------	-----------------	---------	------------

90301		90301-LDB5-E00	NUT WHEEL	NUT WHEEL	8	
94011		94011-PWB1-900	NUT CASTLE FLANGE M22x1.5	NUT CASTLE FLANGE M22x1.5	2	
94201		94201-30400	PIN SPLIT 3*40	PIN SPLIT 3*40	2	



F08

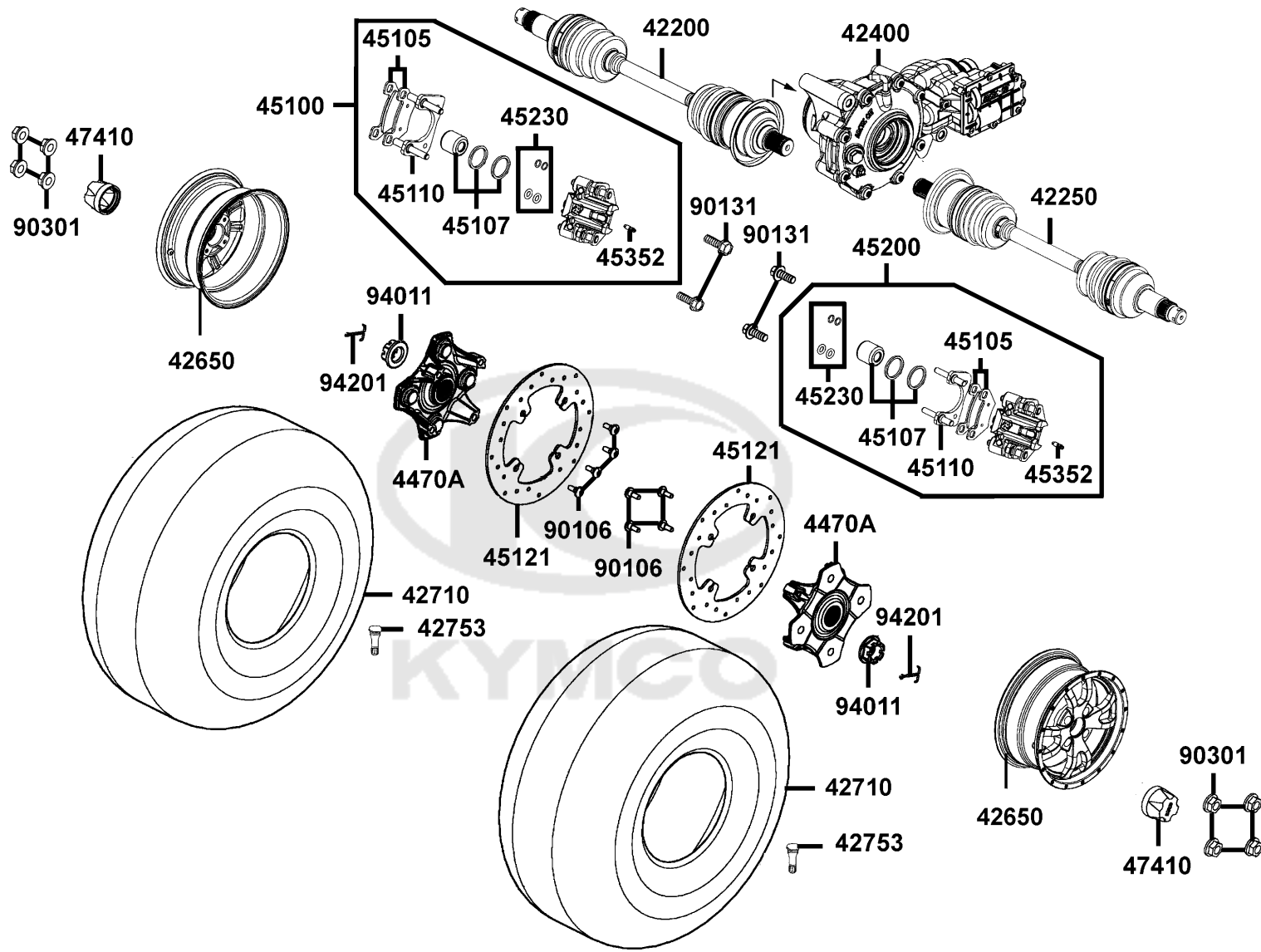
Rear Wheel



Sales mark	Ref no	Part no	Description	Reg description	Regd no	F08
	42200	42200-AEC8-E00	HALF SHAFT REAR-RH	HALF SHAFT REAR-RH	1	
	42250	42250-AEC8-E00	HALF SHAFT REAR-LH	HALF SHAFT REAR-LH	1	
	42400	42400-LKA8-500	E-LOCK GEARCASE FRONT 3.6	E-LOCK GEARCASE FRONT 3.6	1	
	42650	42650-ALD6-E00	WHEEL SET REAR	WHEEL SET REAR	2	
	42710	42710-ALD6-E00	TIRE ASSY RR AT26*10-14 6PR /MAXXIS	TIRE ASSY RR AT26*10-14 6PR /MAXXIS	2	
	42753	42753-KNBN-90B	VALAE RIM (TR412)	VALAE RIM (TR412)	2	
	4470A	4470A-LFA5-E01	HUB ASSEMBLY	HUB ASSEMBLY	2	
	45100	45100-PWB1-600	CALIPER BRAKE RH	CALIPER BRAKE RH	1	
	45105	45105-PWB1-306	BRAKE PADS	BRAKE PADS	2	
	45107	45107-PWB1-305	PISTON AND SEALS	PISTON AND SEALS	2	
	45110	45110-PWB1-305	MOUNT BRACKET ASSEMBLS	MOUNT BRACKET ASSEMBLS	2	
	45121	45121-PWB1-900	DISK BRAKE	DISK BRAKE	2	
	45200	45200-PWB1-600	CALIPER BRAKE LH	CALIPER BRAKE LH	1	
	45230	45230-PWB1-305	GUIDE O RINGS	GUIDE O RINGS	2	
	45352	45352-PWB1-305	BLEEDER	BLEEDER	2	
	47410	47410-ALD6-E00	CAP WHEEL CENTER	CAP WHEEL CENTER	2	
	90106	90106-PWB1-900	BOLT SHOULDER	BOLT SHOULDER	8	
	90131	90131-PRB3-900	BOLT FLANGE 8X20	BOLT FLANGE 8X20	4	
	90301	90301-LDB5-E00	NUT WHEEL	NUT WHEEL	8	
	94011	94011-PWB1-900	NUT CASTLE FLANGE M22x1.5	NUT CASTLE FLANGE M22x1.5	2	

F08

Rear Wheel



Sales mark	Ref no	Part no	Description	Reg description	Regd no	F08
------------	--------	---------	-------------	-----------------	---------	------------

94201

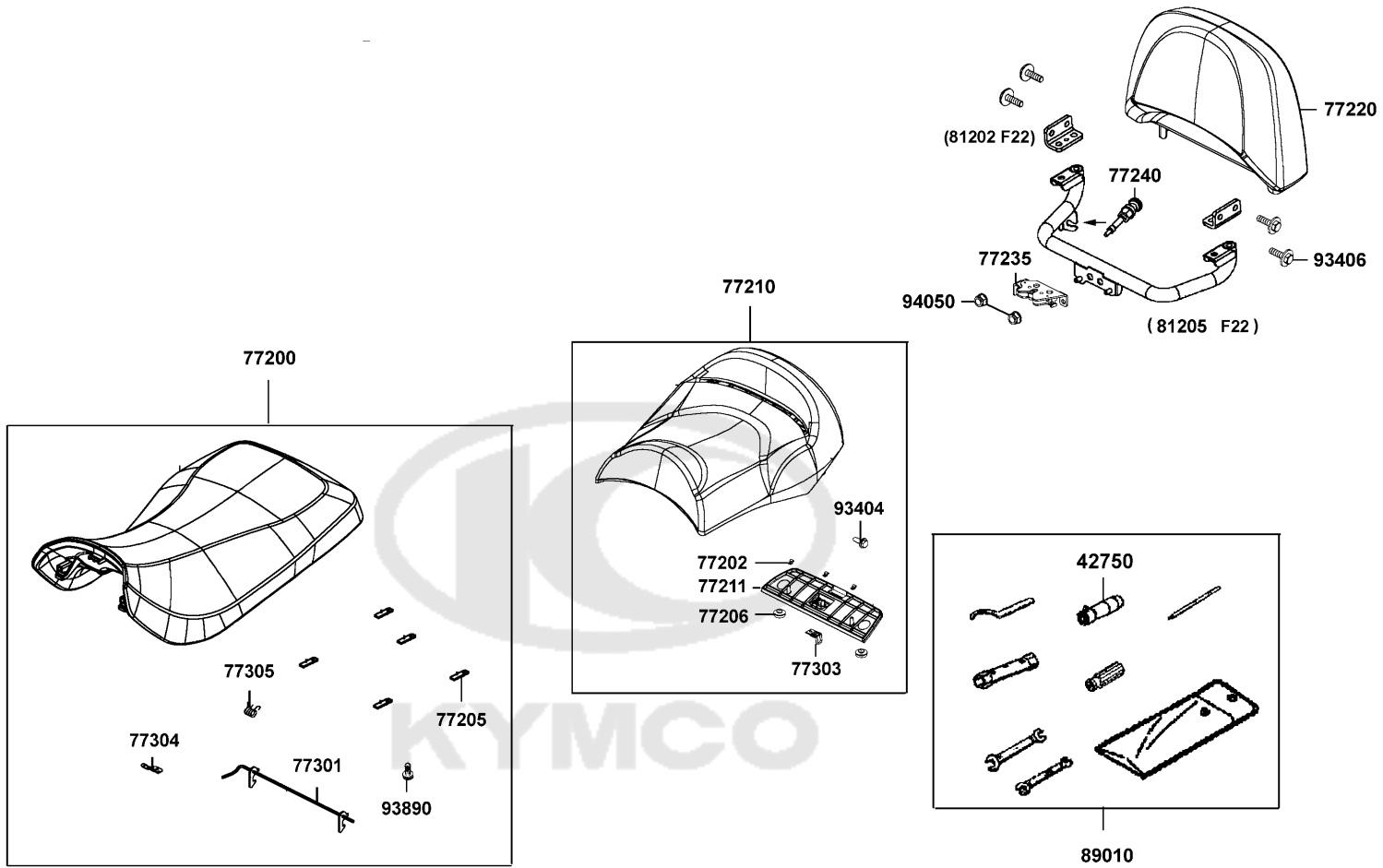
94201-30400

PIN SPLIT 3*40

PIN SPLIT 3*40

2

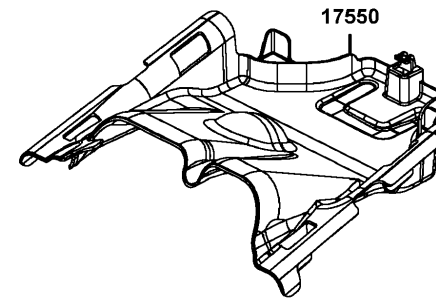
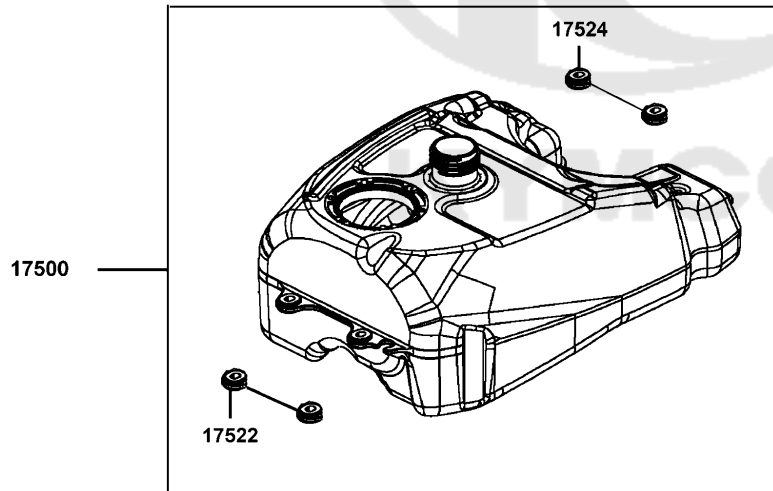
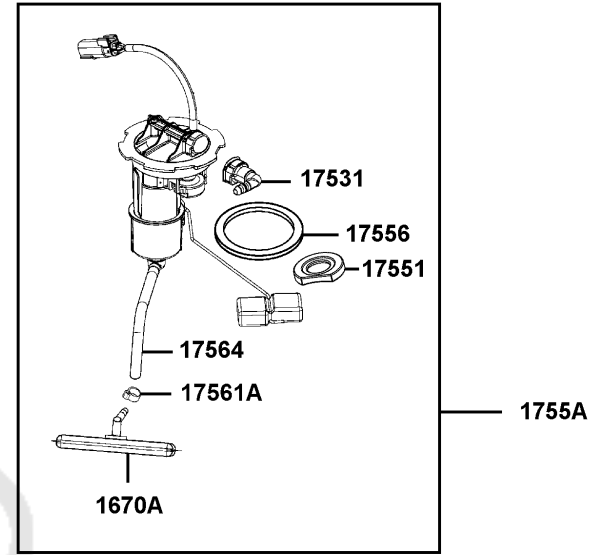
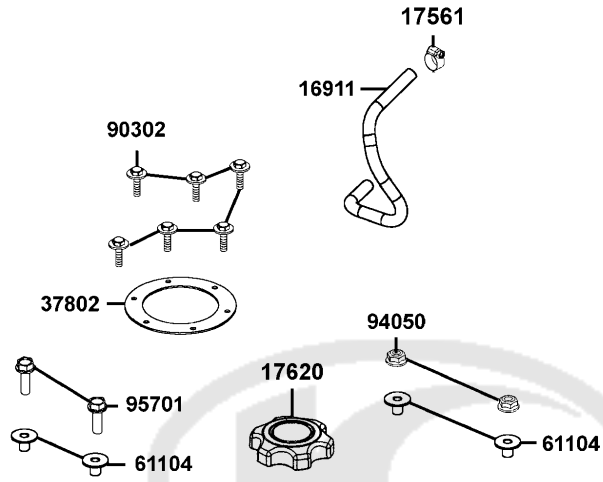




Sales mark	Ref no	Part no	Description	Reg description	Regd no	F09
	42750	42750-LDB1-700	GEAR AIR PRESSURE	GEAR AIR PRESSURE	1	
**	77200	77200-ADG6-E00	SEAT ASSY	SEAT ASSY	1	
	77202	77202-LEA7-900	CLIP CABLE	CLIP CABLE	3	
	77205	77205-2F86-001	RUBBER B SEAT SETTING	RUBBER B SEAT SETTING	5	
	77206	77206-LBA7-900	RUBBER SEAT CUSH	RUBBER SEAT CUSH	2	
**	77210	77210-ADG6-E00	SEAT ASSY RR	SEAT ASSY RR	1	
	77211	77211-LKA8-Y00	PLATE COMP..SEAT	PLATE COMP..SEAT	1	
**	77220	77220-ADG6-E00	SEAT ASSY BACK	SEAT ASSY BACK	1	
	77235	77235-LEA1-900	CATCH COMP SEAT	CATCH COMP SEAT	1	
	77240	77240-ALC1-Y00	CABLE SEAT LOCK	CABLE SEAT LOCK	1	
	77301	77301-ALC1-E00	LOCK COMP SEAT	LOCK COMP SEAT	1	
	77303	77303-LKA8-Y00	HOOK.SEAT LOCK	HOOK.SEAT LOCK	1	
	77304	77304-LDB5-E00	STAY HOOK	STAY HOOK	1	
	77305	77305-LDB5-E00	SPRING HOOK BAR	SPRING HOOK BAR	1	
	89010	89010-LFE9-E00	TOOL SET	TOOL SET	1	
	93404	93404-LKA8-Y00	BOLT WASHER 6*15	BOLT WASHER 6*15	1	
	93406	93406-08016-06	BOLT WASHER 8*16 (G)	BOLT WASHER 8*16 (G)	4	
	93890	93890-LDB5-E00	BOLT M4	BOLT M4	1	
	94050	94050-06080	NUT FLANGE 6MM	NUT FLANGE 6MM	2	

F10

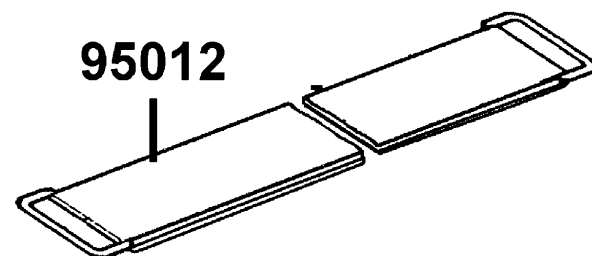
Fuel Tank



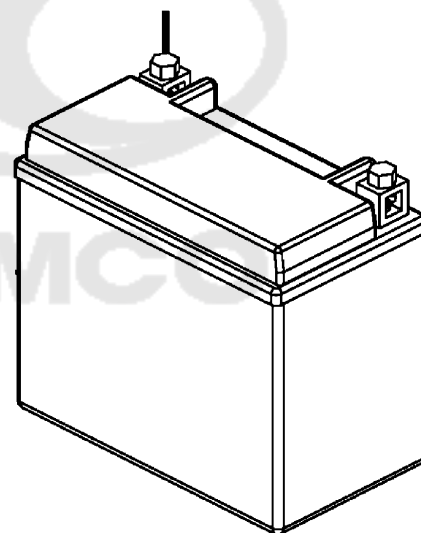
Sales mark	Ref no	Part no	Description	Reg description	Regd no	F10
	1670A	1670A-LKA8-E00	FILTER PUMP ASSY	FILTER PUMP ASSY	1	
	16911	16911-LKM5-E00	TUBE FUEL	TUBE FUEL	1	
	17500	17500-LKA8-E00	TANK COMP.. FUEL	TANK COMP.. FUEL	1	
	17522	17522-LLB1-900	RUBBER FUEL TANK	RUBBER FUEL TANK	2	
	17524	17524-LLB1-900	RR RUBBER FUEL TANK	RR RUBBER FUEL TANK	2	
	17531	17531-LGC7-E00	CONNECTOR FUEL PUMP-90 DEGREE	CONNECTOR FUEL PUMP-90 DEGREE	1	
**	17550	17550-ALC1-E00	GUARD FUEL TANK (black)	GUARD FUEL TANK (black)	1	
	17551	17551-PTA1-800	PUMP REGULATOR STAY	PUMP REGULATOR STAY	1	
	17556	17556-PTA1-800	FUEL PUMP SEAL	FUEL PUMP SEAL	1	
	1755A	1755A-LKA8-E00	FUEL PUMP ASSEMBLY	FUEL PUMP ASSEMBLY	1	
	17561	17561-LGE5-E00	CLIP 13.5	CLIP 13.5	1	
	17561A	17561-LKB9-900	CLIP 12.5	CLIP 12.5	2	
	17564	17564-LKA8-E00	TUBE FILTER	TUBE FILTER	1	
	17620	17620-ADG6-E00	CAP COMP FUEL FILLER	CAP COMP FUEL FILLER	1	
	37802	37802-LGC3-E00	MOUNT FUEL PUMP	MOUNT FUEL PUMP	1	
	61104	61104-3G57-001	COLLAR FR FENDER	COLLAR FR FENDER	4	
	90302	90302-GFY6-940	BOLT-WASH 5*16	BOLT-WASH 5*16	6	
	94050	94050-06080	NUT FLANGE 6MM	NUT FLANGE 6MM	2	
	95701	95701-06022-06	BOLT FLANGE 6*22	BOLT FLANGE 6*22	2	

F11

Battery



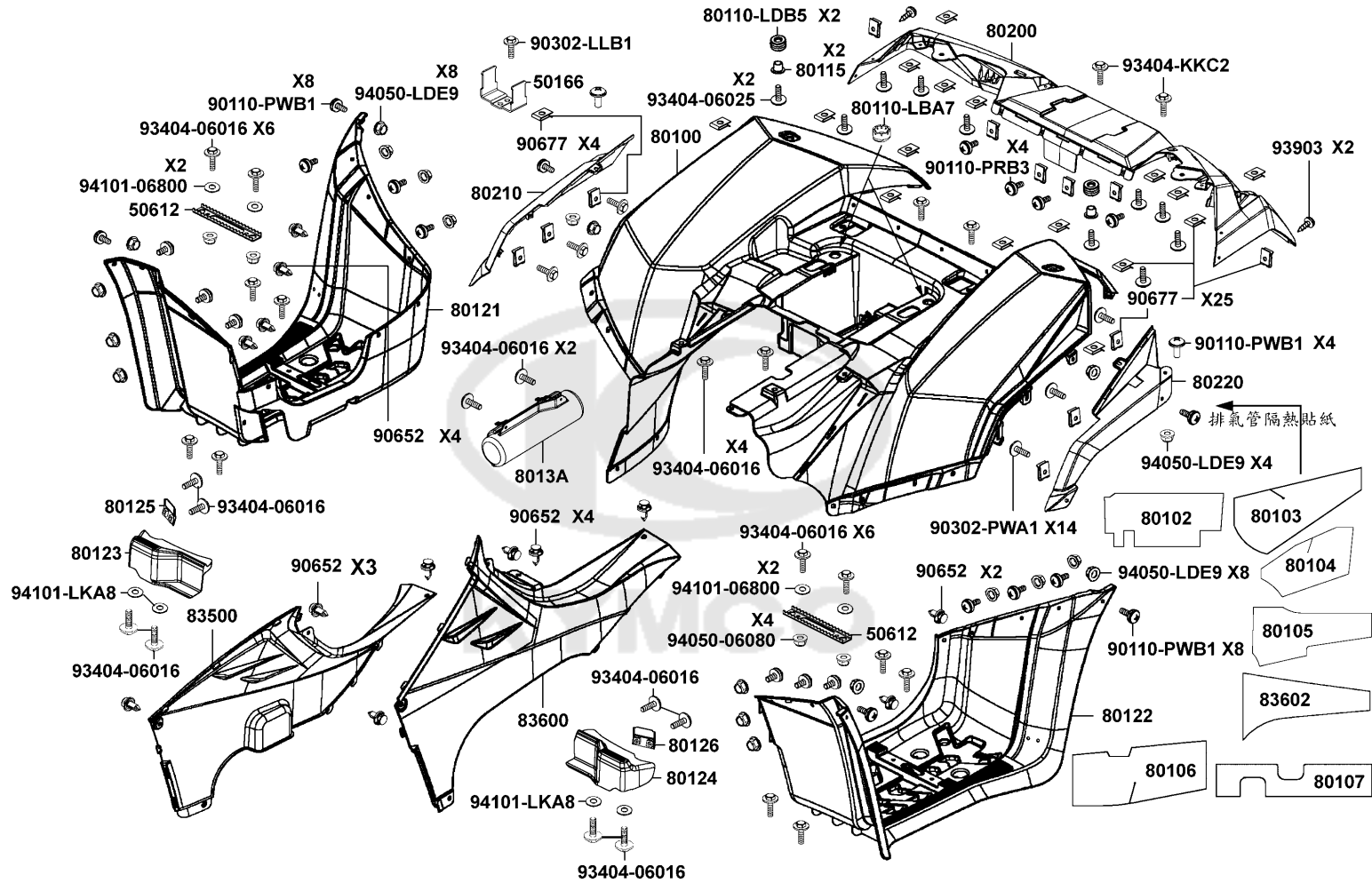
31500-LDB5-E0A
31500-LDB5-E0B



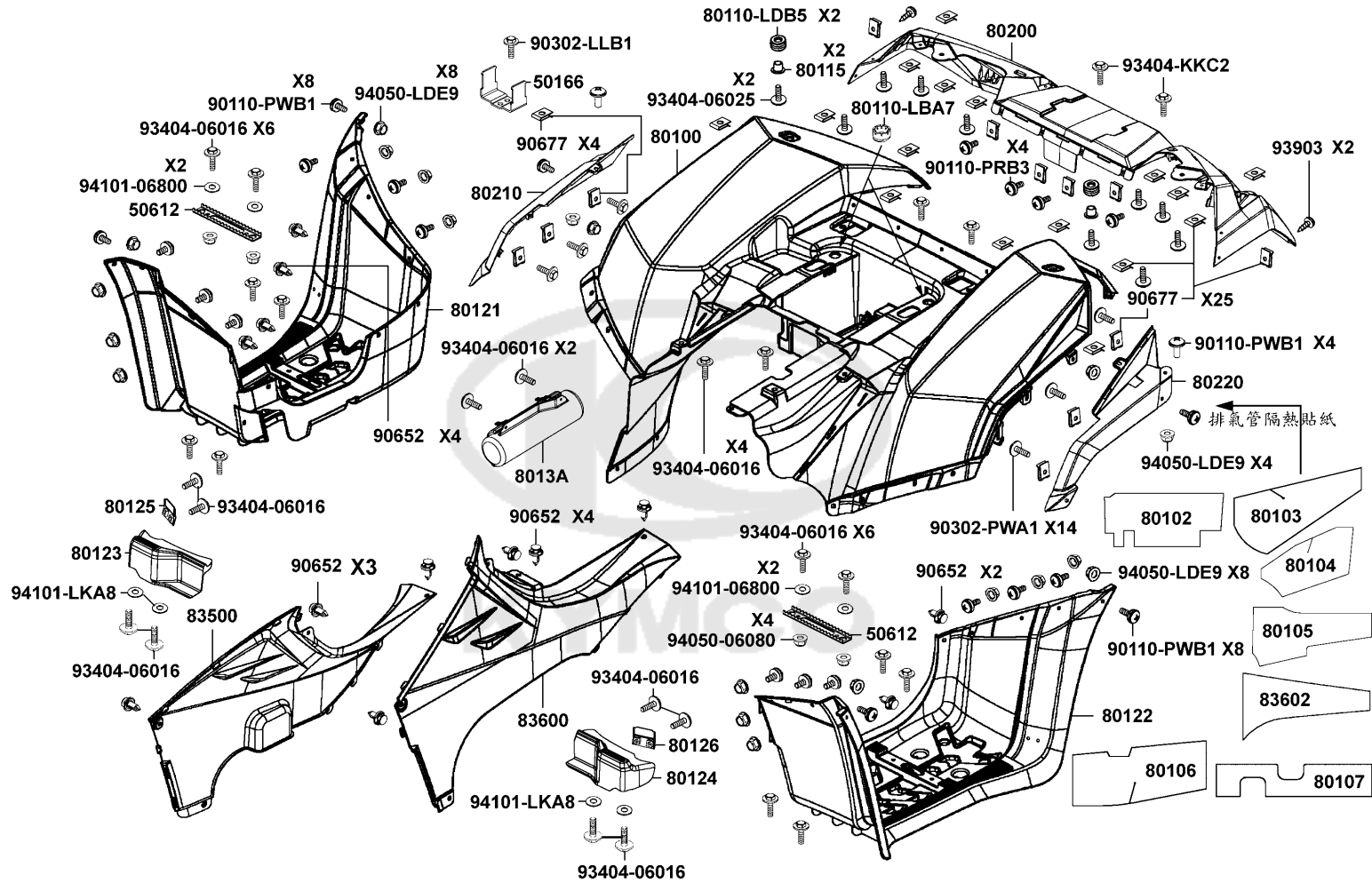
Sales mark	Ref no	Part no	Description	Reg description	Regd no	F11
------------	--------	---------	-------------	-----------------	---------	------------

	31500-LDB5-E0A	31500-LDB5-E0A	BATTERY YTX20L-BS	BATTERY YTX20L-BS	1	
	31500-LDB5-E0B	31500-LDB5-E0B	BATTERY GTX20L-BS	BATTERY GTX20L-BS	1	
95012		95012-KKA7-900	TOOL BAND	TOOL BAND	1	





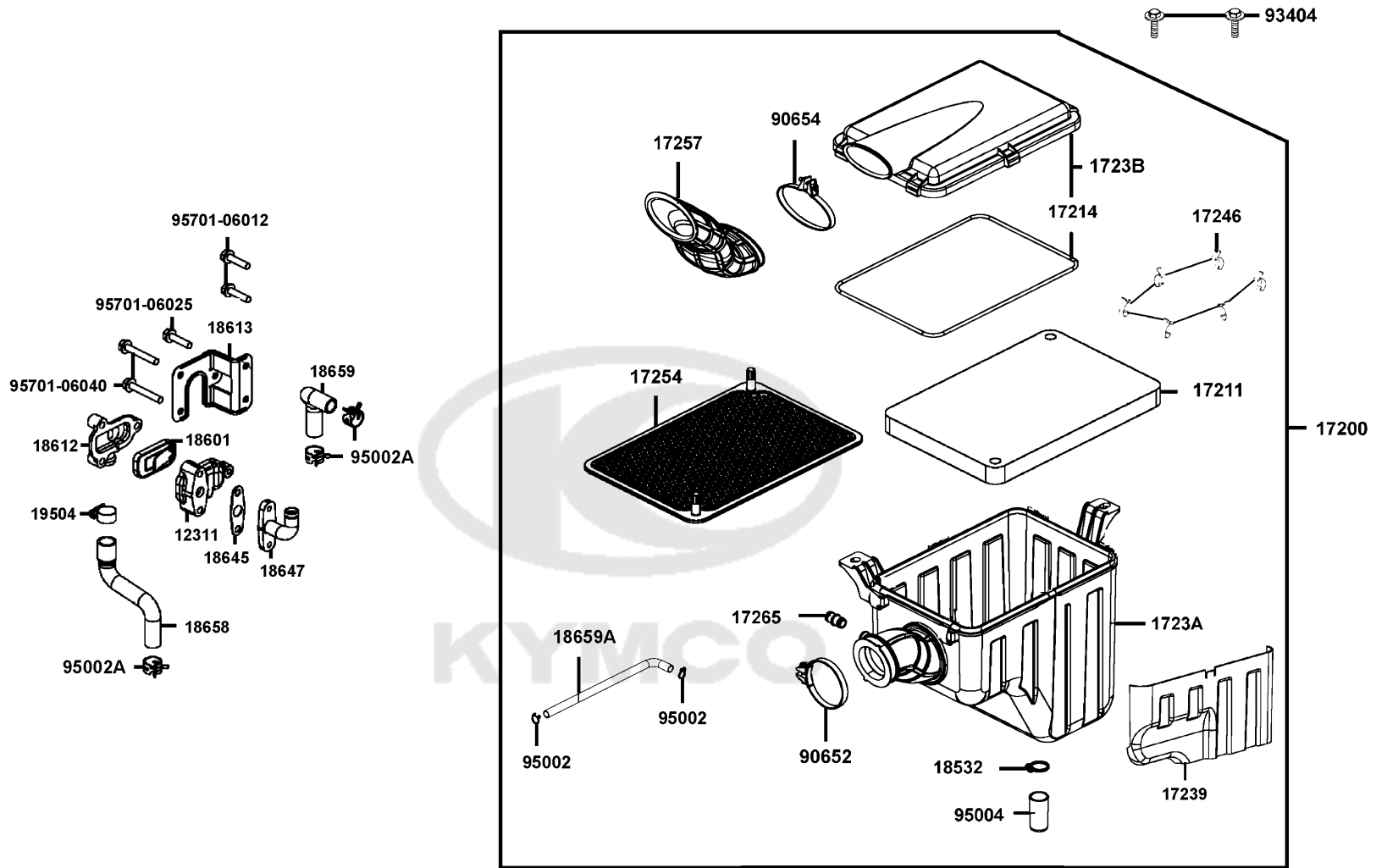
Sales mark	Ref no	Part no	Description	Reg description	Regd no	F12
	50166	50166-LLB1-900	BRKT START MAG SW	BRKT START MAG SW	1	
	50612	50612-LDB5-E00	RNFCT FLOOR	RNFCT FLOOR	2	
**	80100	80100-ALC1-600	FENDER REAR	FENDER REAR	1	
	80102	80102-ALC1-E00	SHIELD LH	SHIELD LH	1	
	80103	80103-ALC1-E00	SHIELD LH	SHIELD LH	1	
	80104	80104-ALC1-E00	SHIELD LH LOWER	SHIELD LH LOWER	1	
	80105	80105-ALC1-E00	SHIELD LH UPPER	SHIELD LH UPPER	1	
	80106	80106-LKM5-E00	SHIELD LH	SHIELD LH	1	
	80107	80107-LKM5-E00	SHIELD UP	SHIELD UP	1	
	80110-LBA7	80110-LBA7-900	RUBBER REAR FENDER	RUBBER REAR FENDER	2	
	80110-LDB5	80110-LDB5-900	RUBBER FENDER **(0) C.2006.09.07	RUBBER FENDER **(0) C.2006.09.07	2	
	80115	80115-LDB5-900	COLLAR FENDER	COLLAR FENDER	2	
**	80121	80121-ALC1-E30	MUDGUARD R FLOOR	MUDGUARD R FLOOR	1	
**	80122	80122-ALC1-E30	MUDGUARD L FLOOR	MUDGUARD L FLOOR	1	
**	80123	80123-LKA8-Y00	STEP R FLOOR	STEP R FLOOR	1	
**	80124	80124-LKA8-Y00	STEP L FLOOR	STEP L FLOOR	1	
	80125	80125-ALD6-E00	STAY.R STEP	STAY.R STEP	1	
	80126	80126-ALD6-E00	STAY.L STEP	STAY.L STEP	1	
	8013A	8013A-LFE9-E00	BOX ASSY TOOL	BOX ASSY TOOL	1	
**	80200	80200-ALC1-E00	MUDGUARD REAR (BLACK)	MUDGUARD REAR (BLACK)	1	



Sales mark	Ref no	Part no	Description	Reg description	Regd no	F12
**	80210	80210-ALC1-E00	MUDGUARD R RR SIDE	MUDGUARD R RR SIDE	1	
**	80220	80220-ALC1-E00	MUDGUARD L RR SIDE	MUDGUARD L RR SIDE	1	
**	83500	83500-ALC1-M00	COVER R SIDE	COVER R SIDE	1	
**	83600	83600-ALC1-M00	COVER L SIDE	COVER L SIDE	1	
	83602	83602-ALC1-E00	SHIELD LH	SHIELD LH	1	
	90110-PRB3	90110-PRB3-900	SCREW SPECUAL 5x16	SCREW SPECUAL 5x16	4	
	90110-PWB1	90110-PWB1-900	SCREW SPECIAL 6X20	SCREW SPECIAL 6X20	20	
	90302-LLB1	90302-LLB1-E00	BOLT-WASHER 5*12	BOLT-WASHER 5*12	1	
	90302-PWA1	90302-PWA1-900	BOLT-WASH 5*16	BOLT-WASH 5*16	14	
	90652	90652-LDB5-900	CLIP MUDGUARD	CLIP MUDGUARD	13	
	90677	90677-GAR1-004	NUT CLIP 5MM	NUT CLIP 5MM	25	
	93404-06016	93404-06016-06	BOLT WASHER 6*16	BOLT WASHER 6*16	26	
	93404-06025	93404-06025-06	BOLT WASHER 6*25	BOLT WASHER 6*25	2	
	93404-KKC2	93404-KKC2-900	BOLT WASH 6*16	BOLT WASH 6*16	2	
	93903	93903-34360	SCREW TAPPING 4X12	SCREW TAPPING 4X12	2	
	94050-06080	94050-06080	NUT FLANGE 6MM	NUT FLANGE 6MM	4	
	94050-LDE9	94050-LDE9-E00	NUT LOCK	NUT LOCK	20	
	94101-06800	94101-06800	WASHER PLAIN 6MM	WASHER PLAIN 6MM	4	
	94101-LKA8	94101-LKA8-Y00	WASHER	WASHER	4	

F13

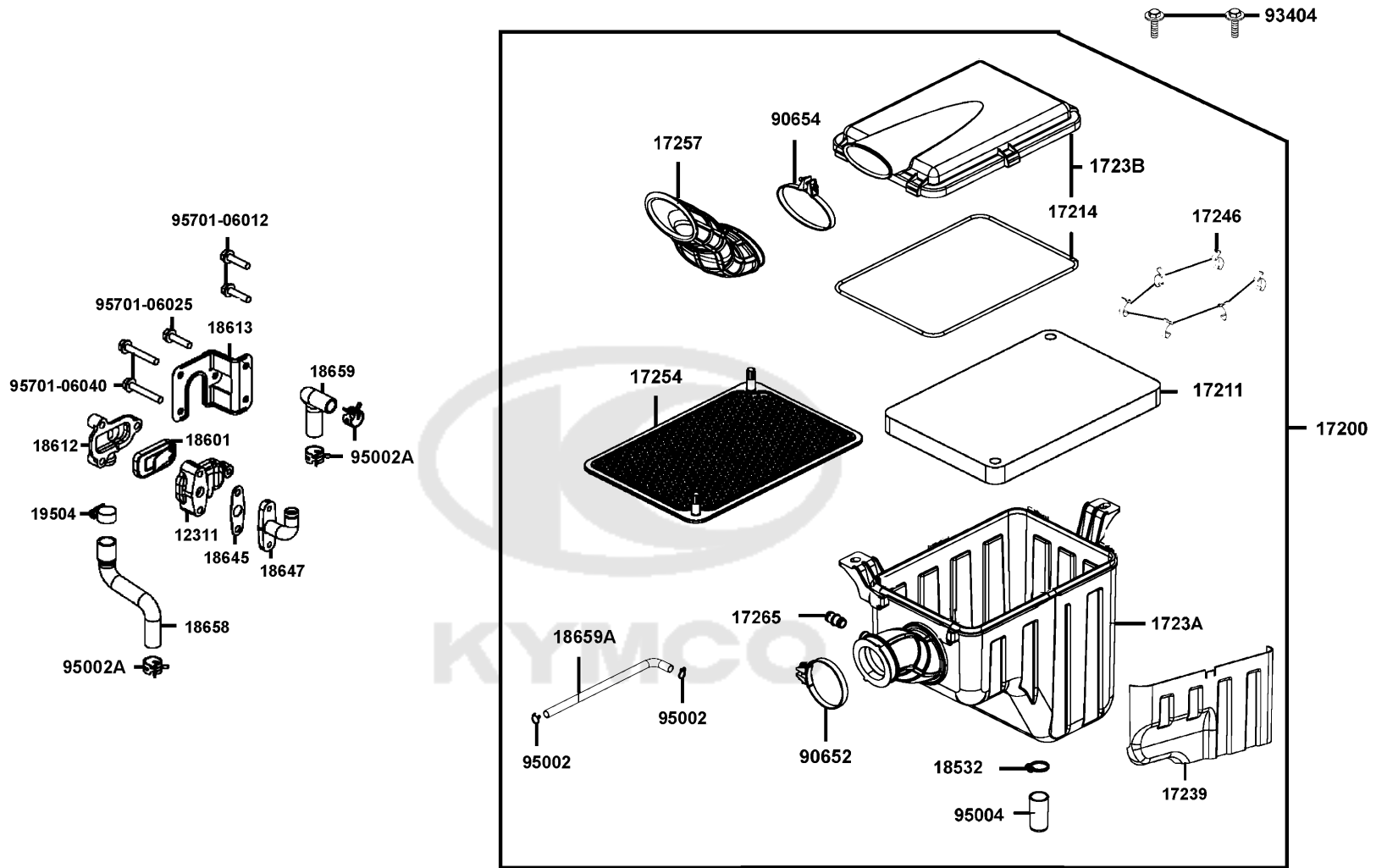
Air Cleaner



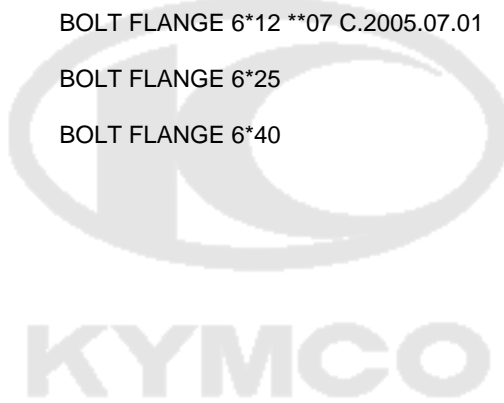
Sales mark	Ref no	Part no	Description	Reg description	Regd no	F13
12311		12311-AEC8-E00	BODY B REED VALVE	BODY B REED VALVE	1	
17200		17200-ADC2-E00	AIR/C ASSY	AIR/C ASSY	1	
17211		17211-LKM5-E00	ELEMENT COMP AIR/C	ELEMENT COMP AIR/C	1	
17214		17214-LDB5-E00	SEAL AIR/C CASE	SEAL AIR/C CASE	1	
17239		17239-ADC2-E00	SHIELD AIR/C	SHIELD AIR/C	1	
1723A		1723A-LKM5-E00	CASE ASSY AIR/C	CASE ASSY AIR/C	1	
1723B		1723B-LKM5-E00	COVER COMP AIR/C	COVER COMP AIR/C	1	
17246		17246-LBA7-900	CLAMP AIR/C	CLAMP AIR/C	6	
17254		17254-LKM5-E00	PUNCHING PLATE	PUNCHING PLATE	1	
17257		17257-ALC1-E00	DUCT AIR/C CHAMBER	DUCT AIR/C CHAMBER	1	
17265		17265-LBA7-900	JOINT BLOW BY	JOINT BLOW BY	1	
18532		18532-6D34-671	CLIP AIR HOSE 21.5	CLIP AIR HOSE 21.5	1	
18601		18601-AEC8-E00	REED VALVE COMP	REED VALVE COMP	1	
18612		18612-AEC8-E00	COVER REED VALVE	COVER REED VALVE	1	
18613		18613-LDB5-E00	STAY REED VALVE ASSY	STAY REED VALVE ASSY	1	
18645		18645-LBA2-E00	GASKET A/I PIPE	GASKET A/I PIPE	1	
18647		18647-AEC8-E00	PIPE COMP AIR	PIPE COMP AIR	1	
18658		18658-AEC8-E00	TUBE BLOW BY IN	TUBE, BLOW BY IN	1	
18659		18659-AEC8-E00	TUBE BLOW BY OUT	TUBE ,BLOW BY OUT	1	
18659A		18659-LKM5-E00	TUBE BREATHER	TUBE BREATHER	1	

F13

Air Cleaner

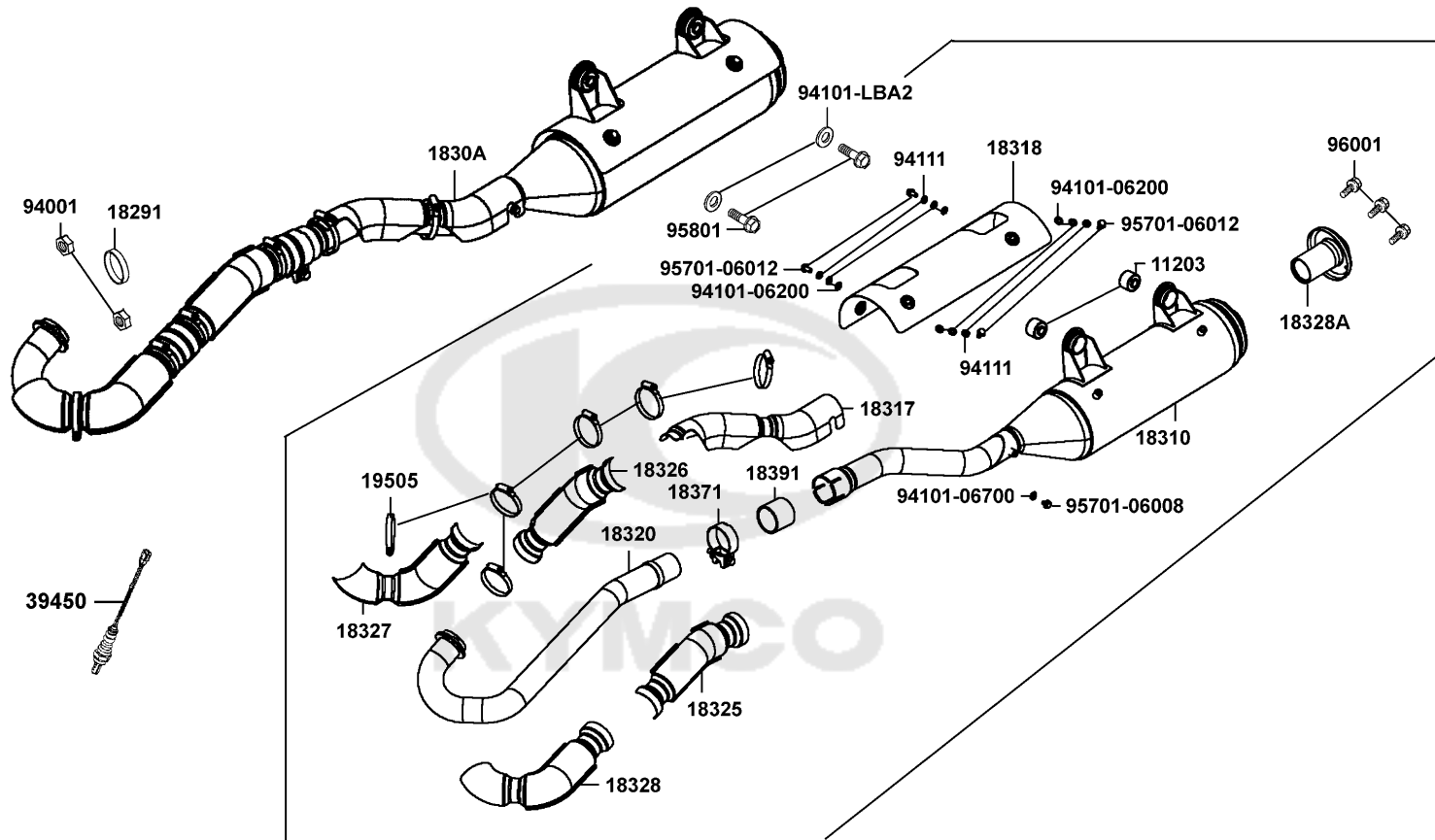


Sales mark	Ref no	Part no	Description	Reg description	Regd no	F13
19504		19504-LBA2-E00	CLAMP D16.8	CLAMP D16.8	1	
90652		90652-LDG7-900	C-HOPE 10-59	C-HOPE 10-59	1	
90654		90654-LDB5-E00	BAND 81 REAR CVT DUCT	BAND 81 REAR CVT DUCT	1	
93404		93404-06012-06	BOLT WASHER 6*12 (G)	BOLT WASHER 6X12	2	
95002		95002-02150	CLIP B14.5 TUBE	CLIP B14.5 TUBE	1	
95002A		95002-KED9-M30	CLAMP D14.8 TUBE	CLAMP D14.8 TUBE	3	
95004		95004-LBA7-900	TUBE DRAIN	TUBE DRAIN	1	
95701-06012		95701-06012-06	BOLT FLANGE 6*12 **07 C.2005.07.01	BOLT FLANGE 6X12	2	
95701-06025		95701-06025-08	BOLT FLANGE 6*25	BOLT FLANGE 6*25	1	
95701-06040		95701-06040-08	BOLT FLANGE 6*40	BOLT FLANGE 6*40	2	



F14

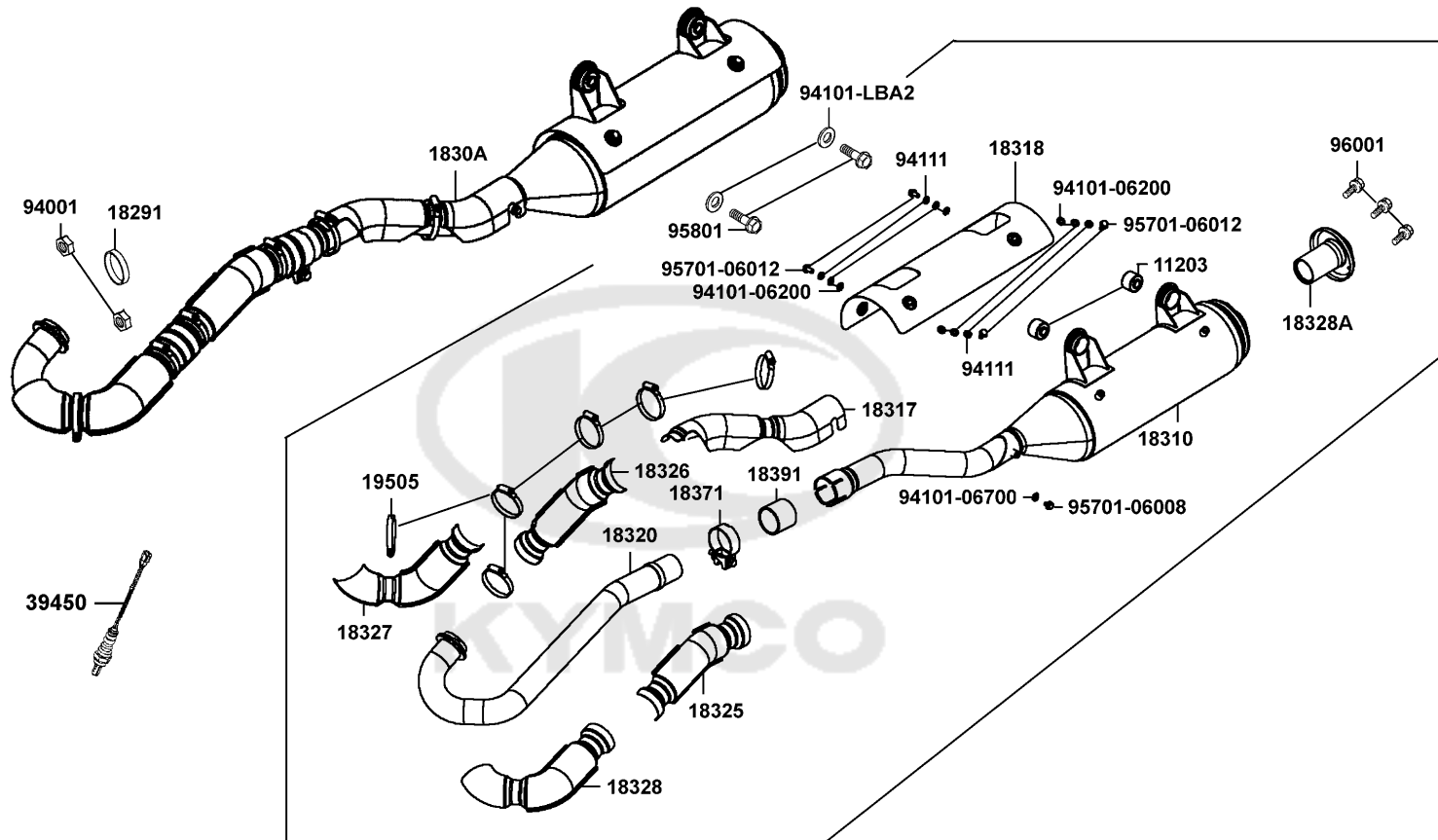
Exhaust Muffler




Sales mark	Ref no	Part no	Description	Reg description	Regd no	F14
	11203	11203-LDB5-E00	BUSH MUFFLER STAY	BUSH MUFFLER STAY	2	
	18291	18291-LKM5-E00	GASKET EXH. PIPE	GASKET EXH. PIPE	1	
	1830A	1830A-AEC8-E00	MUFFLER ASSY EXH.	MUFFLER ASSY EXH.	1	
	18310	18310-AEC8-E00	MUFFLER COMP.	MUFFLER COMP.	1	
	18317	18317-LKM5-E00	PROTECTOR. A MUFFLER	PROTECTOR. A MUFFLER	1	
	18318	18318-ALC1-E00	PROTECTOR MUFFLER	PROTECTOR MUFFLER	1	
	18320	18320-AEC8-E00	PIPE COMP EXHAUST	PIPE COMP EXHAUST	1	
	18325	18325-LKM5-E00	PROTECTOR. EXH PIPE	PROTECTOR. EXH PIPE	1	
	18326	18326-LKM5-E00	PROTECTOR B EXH PIPE	PROTECTOR B EXH PIPE	1	
	18327	18327-LKM5-E00	PROTECTOR C EXH. PIPE	PROTECTOR C EXH. PIPE	1	
	18328	18328-AEC8-E00	PROTECTOR D EXH PIPE	PROTECTOR D EXH PIPE	1	
	18328A	18328-LDB5-E00	SPARK ARRESTOR	SPARK ARRESTOR	1	
	18371	18371-LKM5-E00	BAND MUFFLER	BAND MUFFLER	1	
	18391	18391-LKM5-E00	PACKING MUFFLER	PACKING MUFFLER	1	
	19505	19505-LEA2-900	CLAMP HOSE	CLAMP HOSE	6	
	39450	39450-ZVA6-M00	O2 SENSOR	O2 SENSOR	1	
	94001	94001-08080-0S	NUT HEX 8MM	NUT HEX 8MM	2	
	94101-06200	94101-06200	WASHER PLAIN 6MM	WASHER PLAIN 6MM	8	
	94101-06700	94101-06700	WASHER PLAIN 6MM	WASHER PLAIN 6MM	1	
	94101-LBA2	94101-LBA2-E00	WASHER PLATE 10.5*38*3.0	WASHER PLATE 10.5*38*3.0	2	

F14

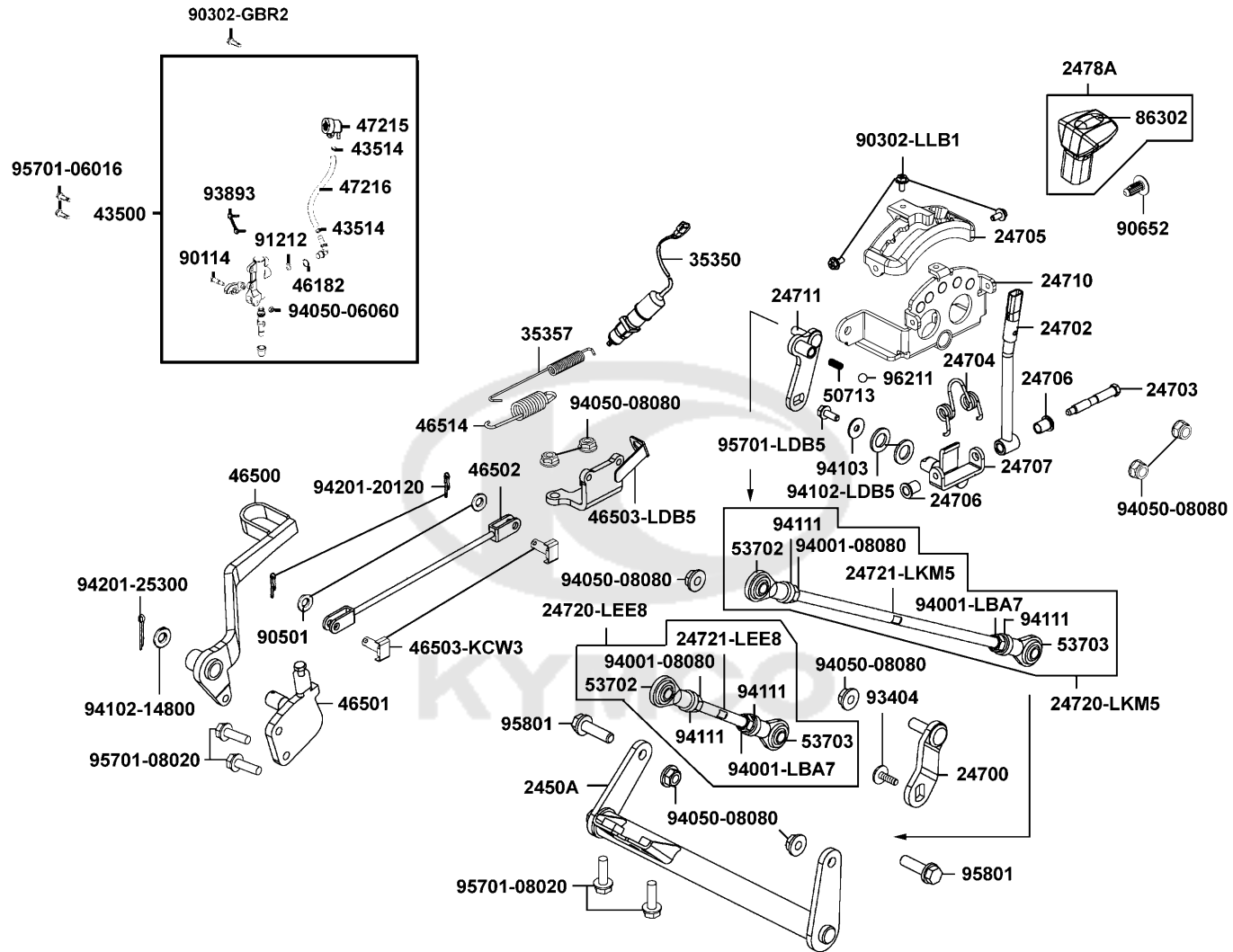
Exhaust Muffler



Sales mark	Ref no	Part no	Description	Reg description	Regd no	F14
	94111	94111-06800	WASHER SPRING 6MM	WASHER SPRING 6MM	4	
	95701-06008	95701-06008-06	BOLT FLANGE 6*8	BOLT FLANGE 6*8	1	
	95701-06012	95701-06012-06	BOLT FLANGE 6*12 **07 C.2005.07.01	BOLT FLANGE 6X12	4	
	95801	95801-10040-06	BOLT FLANGE 10X40	BOLT FLANGE 10X40	2	
	96001	96001-06012-06	BOLT FLANGE SH 6*12	BOLT FLANGE SH 6*12	1	
						

F15

Master Cylinder Rear



Sales mark	Ref no	Part no	Description	Reg description	Regd no	F15
2450A		2450A-LKM5-E00	OPP SHIFT ASSY	OPP SHIFT ASSY	1	
24700		24700-LKM5-E00	STAY SHIFT GUIDE	STAY SHIFT GUIDE	1	
24702		24702-ALC1-E00	BAR SHIFT LEVER	BAR SHIFT LEVER	1	
24703		24703-LDB5-E00	BOLT SHIFT LEVER	BOLT SHIFT LEVER	1	
24704		24704-LDB5-E00	SPRING SHIFT LEVER	SPRING SHIFT LEVER	1	
24705		24705-LKM5-E00	COVER SHIFT LEVER GUIDE	COVER SHIFT LEVER GUIDE	14	
24706		24706-LDB5-E00	COLLAR SHIFT LEVER	COLLAR SHIFT LEVER	2	
24707		24707-LDB5-E00	BRKT SHIFT LEVER	BRKT SHIFT LEVER	1	
24710		24710-LKM5-E00	STAY SHIFTER	STAY SHIFTER	1	
24711		24711-LKM5-E00	STAY UPPER SHIFT GUIDE	STAY UPPER SHIFT GUIDE	1	
24720-LEE8		24720-LEE8-E00	ROD ASSY SHIFT	ROD ASSY SHIFT	1	
24720-LKM5		24720-LKM5-E00	ROD ASSY SHIFT	ROD ASSY SHIFT	1	
24721-LEE8		24721-LEE8-E00	ROD SHIFT	ROD SHIFT	1	
24721-LKM5		24721-LKM5-E00	ROD SHIFT	ROD SHIFT	1	
2478A		2478A-ALC1-E00	KNOB SHIFTER ASSY	KNOB SHIFTER ASSY	1	
35350		35350-PWA2-900	REAR STOP SW	REAR STOP SW	1	
35357		35357-LDB5-E00	SPG STOP SW	SPG STOP SW	1	
43500		43500-LFE9-E01	MASTER CYLINDER ASSY FOOT	MASTER CYLINDER ASSY FOOT	1	
43514		43514-4E45-77A	CLAMP M/C OIL HOSE	CLAMP M/C OIL HOSE	2	
46182		46182-5L00-014	CIR CLIP	CIR CLIP	1	

Sales mark	Ref no	Part no	Description	Reg description	Regd no	F15
	46500	46500-LFE9-E00	PEDAL COMP RR BRAKE	PEDAL COMP RR BRAKE	1	
	46501	46501-LFE9-E00	BRKT BRAKE PEDAL	BRKT BRAKE PEDAL	1	
	46502	46502-LDB5-E00	ROD RR BRK	ROD RR BRK	1	
	46503-KCW3	46503-KCW3-001	PIN COMP BRK ROD	PIN COMP BRK ROD	2	
	46503-LDB5	46503-LDB5-E00	BRKT RR M/C	BRKT RR M/C	1	
	46514	46514-LDB5-E00	SPG BRK ARM	SPG BRK ARM	1	
	47215	47215-KHD6-900	OIL CUP	OIL CUP	1	
	47216	47216-LFE9-900	HOSE	HOSE	1	
	50713	50713-LDB5-E00	SPRING	SPRING	1	
	53702	53702-LBA7-900	JOINT R BALL	JOINT R BALL	1	
	53703	53703-LBA7-900	JOINT L BALL	JOINT L BALL	1	
**	86302	86302-ALC1-E00	EMB GEAR REVEAL CHANGE	EMB GEAR REVEAL CHANGE	1	
	90114	90114-1F66-007	BOLT HANDLE LEVER	BOLT HANDLE LEVER	1	
	90302-GBR2	90302-GBR2-001	BOLT WASH 5*16	BOLT WASH 5*16	1	
	90302-LLB1	90302-LLB1-E00	BOLT-WASHER 5*12	BOLT-WASHER 5*12	1	
	90501	90501-3L10-001	WASHER 7*12	WASHER 7*12	2	
	90652	90652-PWB1-900	X'MAS TREE CLIP	X'MAS TREE CLIP	1	
	91212	91212-4B22-007	O-RING 14.8*2.4	O-RING 14.8*2.4	1	
	93404	93404-06012-06	BOLT WASHER 6*12 (G)	BOLT WASHER 6X12	1	
	93893	93893-04012-17	SCREW WASHER 4*12	SCREW WASHER 4*12	2	

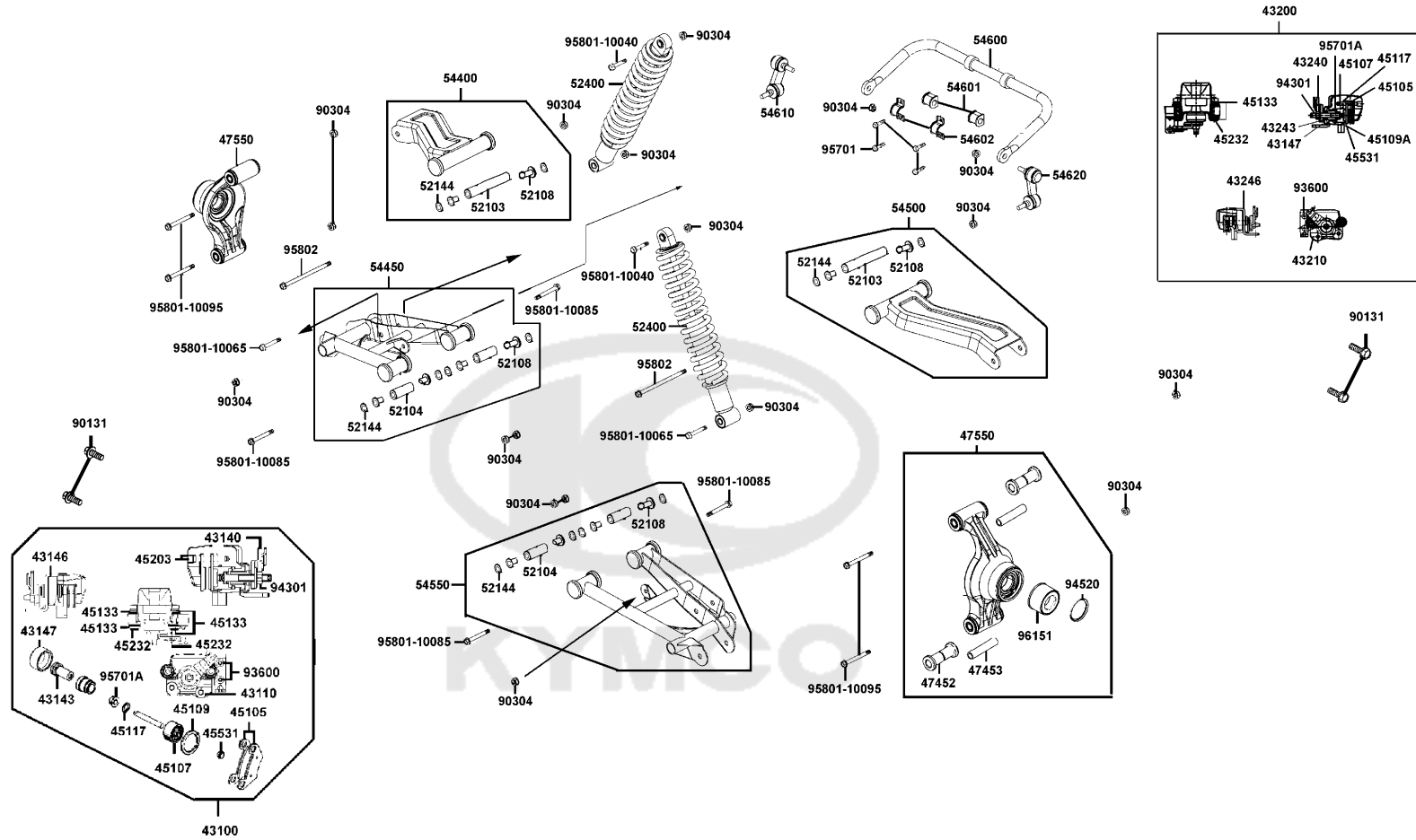
Sales mark	Ref no	Part no	Description	Reg description	Regd no	F15
	94001-08080	94001-08080-0S	NUT HEX 8MM	NUT HEX 8MM	1	
	94001-LBA7	94001-LBA7-900	NUT HEX LH 8MM	NUT HEX LH 8MM	1	
	94050-06060	94050-06060	NUT FLANGE 6MM	NUT FLANGE 6MM	1	
	94050-08080	94050-08080	NUT FLANGE 8MM	NUT FLANGE 8MM	6	
	94102-14800	94102-14800	WASHER PLAIN 14*26*2.3	WASHER PLAIN 14*26*2.3	1	
	94102-LDB5	94102-LDB5-E00	WASHER PLAIN 14MM	WASHER PLAIN 14MM	2	
	94103	94103-06800	WASH PLAIN 6MM	WASH PLAIN 6MM	1	
	94111	94111-08800	WASHER SPG 8MM	WASHER SPG 8MM	2	
	94201-20120	94201-20120	PIN SPLIT 2*12	PIN SPLIT 2*12	2	
	94201-25300	94201-25300	PIN SPLIT 2.5*30	PIN SPLIT 2.5*30	1	
	95701-06016	95701-06016-06	BOLT FLANGE 6*16 (K)	BOLT FLANGE 6X16	2	
	95701-08020	95701-08020-06	BOLT FLANGE 8*20MM **07 C.2005.07.01	BOLT FLANGE 8*20MM **07 C.2005.07.01	1	
	95701-LDB5	95701-LDB5-E00	BOLT FLANGE 6*16	BOLT FLANGE 6*16	1	
	95801	95801-08028-06	BOLT FLANGE 8*28	BOLT FLANGE 8*28	2	
	96211	96211-08000	BALL STEEL #8	BALL STEEL #8	1	

Sales mark	Ref no	Part no	Description	Reg description	Regd no	F16
**	43100	43100-LFA5-E00	CALIPER ASSY REAR	CALIPER ASSY REAR	1	
	43110	43110-LFA5-E00	BRACKET CALIPER	BRACKET CALIPER	1	
	43140	43140-LEC1-E00	ARM BRAKE	ARM BRAKE	1	
	43143	43143-LEC1-E00	BOLT DRIVE	BOLT DRIVE	1	
	43146	43146-LEC1-E00	BRACKET CABLE	BRACKET CABLE	1	
	43147	43147-LEC1-E00	CAP	CAP	2	
**	43200	43200-LFA5-E00	CALIPER ASSY,REAR LH PARKING B	CALIPER ASSY,REAR LH PARKING B	1	
	43210	43210-LFA5-E00	BRACKET CALIPER	BRACKET CALIPER	1	
	43240	43240-LFA5-E00	ARM BRAKE	ARM BRAKE	1	
	43243	43243-LFA5-E00	BOLT DRIVE	BOLT DRIVE	1	
	43246	43246-LFA5-E00	BRACKET CABLE	BRACKET CABLE	1	
	45105	45105-LFA5-305	PAD ASSY	PAD ASSY	2	
	45107	45107-LEC1-E00	PISTON	PISTON	2	
	45109	45109-LEC1-E00	SEAL DUST	SEAL DUST	1	
	45109A	45109-LFA5-E00	SEAL DUST	SEAL DUST	1	
	45117	45117-LEC1-E00	WASHER	WASHER	1	
	45133	45133-LEC1-E00	BOOT	BOOT	2	
	45203	45203-LEC1-E00	PIN HANGER	PIN HANGER	2	
	45232	45232-LEC1-E00	PIN BOLT	PIN BOLT	1	
	45531	45531-LEC1-E00	PLUG	PLUG	2	

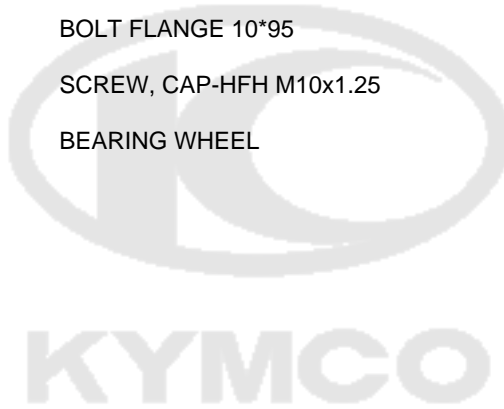
Sales mark	Ref no	Part no	Description	Reg description	Regd no	F16
	47452	47452-PWB1-900	BUSHING RR SUSPENSION	BUSHING RR SUSPENSION	8	
	47453	47453-PWB1-900	COLLAR SUSPENSION	COLLAR SUSPENSION	4	
	47550	47550-PWB1-E00	KNUCKLE REAR ASSEMBLY LH	KNUCKLE REAR ASSEMBLY LH	1	
	52103	52103-PWB1-900	SLEEVE SUSPENSION	SLEEVE SUSPENSION	2	
	52104	52104-PWB1-900	SLEEVE SUSPENSION	SLEEVE SUSPENSION	4	
	52108	52108-PWB1-900	BUSHING SUSPENSION	BUSHING SUSPENSION	12	
	52144	52144-PWB1-900	SEAL SUSPENSION	SEAL SUSPENSION	12	
**	52400	52400-LKM5-E00	CUSHION ASSY RR (RED)	CUSHION ASSY RR (RED)	2	
**	54400	54400-AEC8-E00	CONTROL ARM,RH UPPER ASSY	CONTROL ARM,RH UPPER ASSY	1	
**	54450	54450-ALC1-E01	CONTROM ARM ASSY LOWER R	CONTROM ARM ASSY LOWER R	1	
**	54500	54500-AEC8-E00	CONTROL ARM,LH UPPER ASSY	CONTROL ARM,LH UPPER ASSY	1	
**	54550	54550-ALC1-E01	CONTROM ARM ASSY LOWER L	CONTROM ARM ASSY LOWER L	1	
	54600	54600-LFE9-E00	BAR STABILIZER	BAR STABILIZER	1	
	54601	54601-LFE9-E00	BUSH STABILIZER	BUSH STABILIZER	2	
	54602	54602-LFE9-E00	HOLDER STABILIZER	HOLDER STABILIZER	2	
	54610	54610-LFE9-E00	JOINT STABILIZER RH	JOINT STABILIZER RH	1	
	54620	54620-LFE9-E00	STABILIZER JOINT LH	STABILIZER JOINT LH	1	
	90131	90131-LFA5-E00	BOLT FLANGE 8X22	BOLT FLANGE 8X22	4	
	90304	90304-GLW0-90A	NUT U FLANGE 10MM	NUT U FLANGE 10MM	18	
	93600	93600-LEC1-E00	SCREW FLAT 6MM	SCREW FLAT 6MM	2	

F16

Cushion Assy RrControl Arm Assy Rr

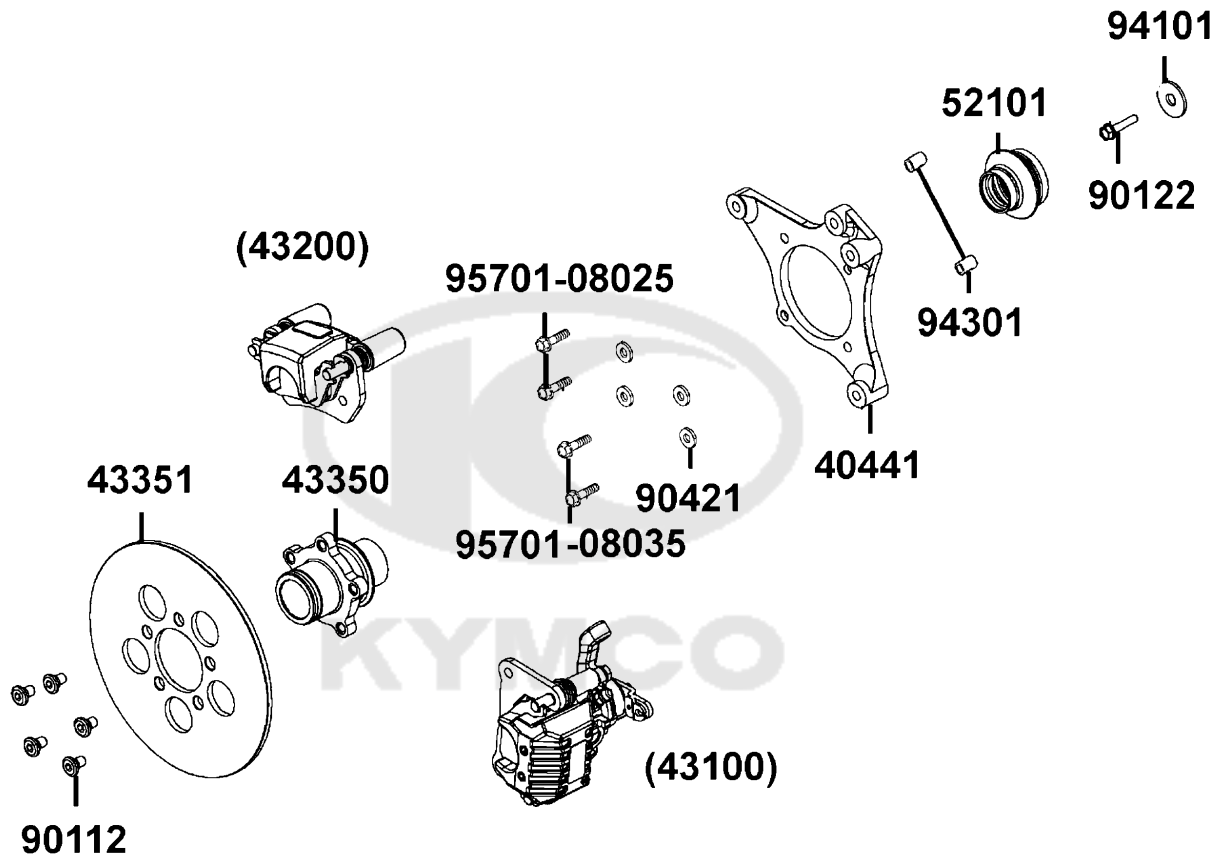


Sales mark	Ref no	Part no	Description	Reg description	Regd no	F16
94301		94301-08060	NUT HEC 8MM	NUT HEC 8MM	2	
94520		94520-55000	CIR CLIP IN 55	CIR CLIP IN 55	2	
95701		95701-08016-06	BOLT FLANGE 8*16	BOLT FLANGE 8*16	4	
95701A		95701-LEC1-E00	BOLT ADJUST	BOLT ADJUST	2	
95801-10040		95801-10040-06	BOLT FLANGE 10X40	BOLT FLANGE 10X40	2	
95801-10065		95801-10065-06	BOLT FLANGE 10*65	BOLT FLANGE 10*65	2	
95801-10085		95801-10085-06	BOLT FLANGE 10*85	BOLT FLANGE 10*85	4	
95801-10095		95801-10095-06	BOLT FLANGE 10*95	BOLT FLANGE 10*95	4	
95802		95802-PWB1-900	SCREW, CAP-HFH M10x1.25	SCREW, CAP-HFH M10x1.25	2	
96151		96151-PWB1-900	BEARING WHEEL	BEARING WHEEL	2	



F17

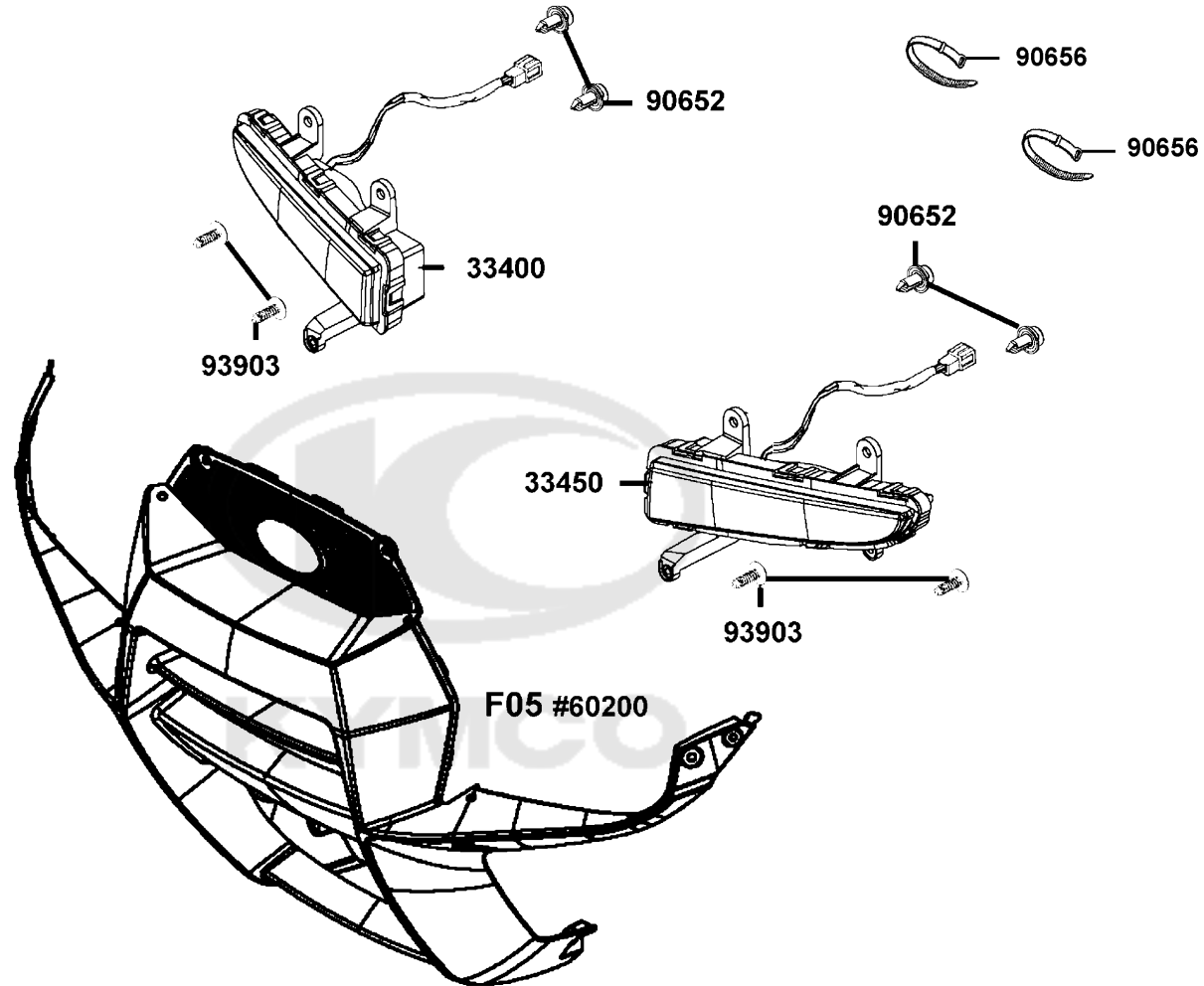
Disk Assy Rr Brk




Sales mark	Ref no	Part no	Description	Reg description	Regd no	F17
40441		40441-LFE9-E00	BRACKET CALIPER	BRACKET CALIPER	1	
43350		43350-LFE9-E00	HOLDER DISK RR BRK	HOLDER DISK RR BRK	1	
43351		43351-LEE8-E00	DISK RR BRK	DISK RR BRK	1	
52101		52101-AEC8-E00	BOOT REAR PROPELLER SHAFT	BOOT REAR PROPELLER SHAFT	1	
90112		90112-LBD4-800	BOLT DISK	BOLT DISK	5	
90122		90122-LKA8-E00	BOLT FLANGE 10x20	BOLT FLANGE 10x20	2	
90421		90421-KAM1-004	WASHER SEALING 8*16*1.6	WASHER SEALING 8*16*1.6	4	
94101		94101-10800	WASHER PLAIN 10*22*1.6	WASHER PLAIN 10MM	1	
94301		94301-10120	DOWEL PIN 10*12	DOWEL PIN 10*12	2	
95701-08025		95701-08025-06	BOLT FLANGE 8*25	BOLT FLANGE 8*25	2	
95701-08035		95701-08035-06	BOLT FLANGE 8*28	BOLT FLANGE 8*28	2	

F18

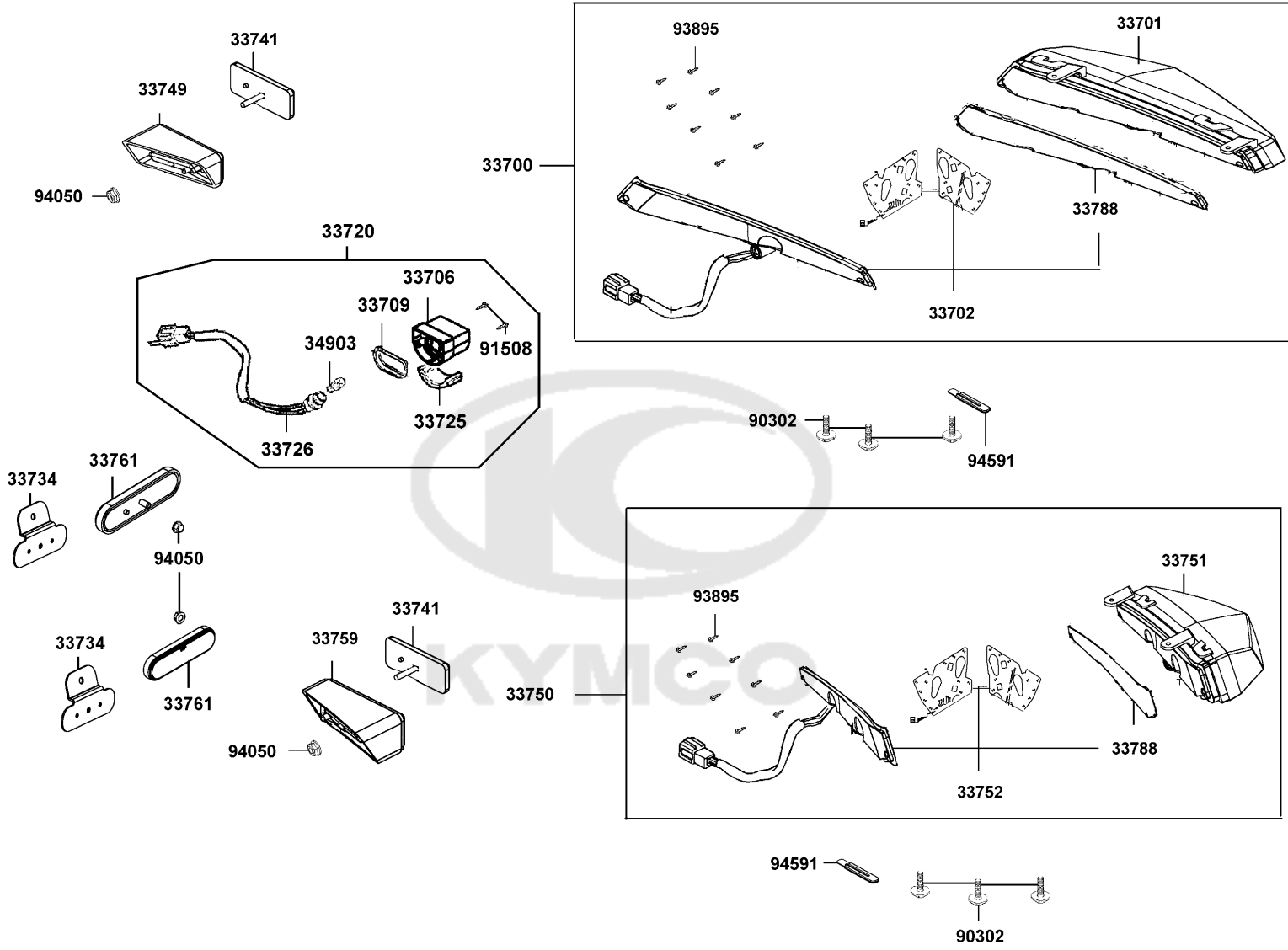
Winker



Sales mark	Ref no	Part no	Description	Reg description	Regd no	F18
	33400	33400-ALC1-E00	WINKER ASSY L FR (NO BULB)	WINKER ASSY L FR (NO BULB)	1	
	33450	33450-ALC1-E00	WINKER ASSY L FR (NO BULB)	WINKER ASSY L FR (NO BULB)	1	
	90652	90652-LDB5-900	CLIP MUDGUARD	CLIP MUDGUARD	4	
	90656	90656-KCBC-900	BAND OIL HANDLE 8X146	BAND OIL HANDLE 8X146	2	
	93903	93903-35360	SCREW TAPPING 5*16	SCREW TAPPING 5*16	4	
						

F19

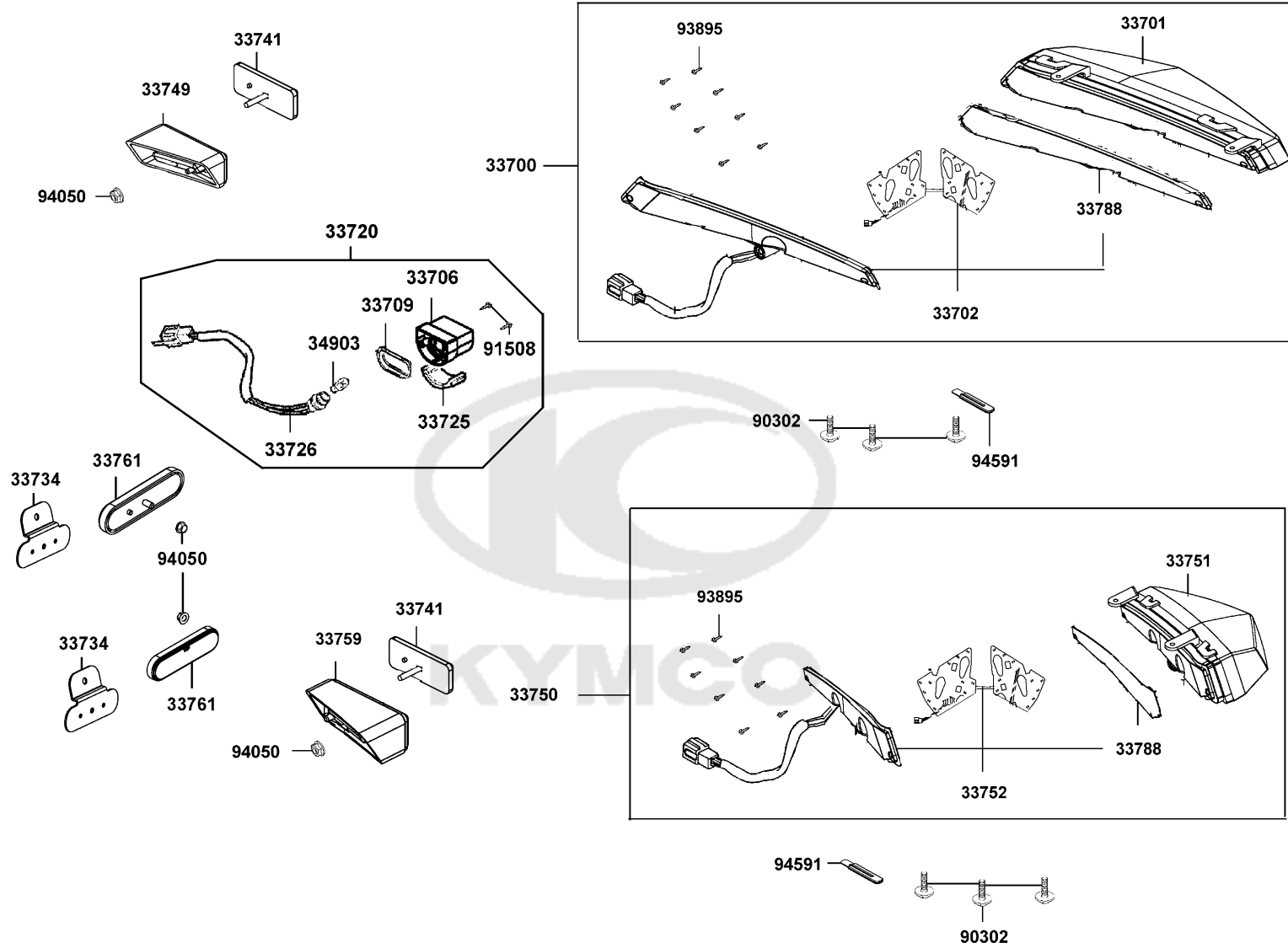
Light Tail



Sales mark	Ref no	Part no	Description	Reg description	Regd no	F19
33700		33700-ALC1-E00	LIGHT ASSY R RR COMB	LIGHT ASSY R RR COMB	1	
33701		33701-ALC1-E00	LENS UNIT	LENS UNIT	1	
33702		33702-ALC1-E00	COVER UNIT	COVER UNIT	1	
33706		33706-GCN3-67A	COVER LICENSE	COVER LICENSE	1	
33709		33709-KBAB-003	PACKING LICENSE	PACKING LICENSE	1	
33720		33720-LCA5-E00	LIGHT ASSY LICENSE	LIGHT ASSY LICENSE	1	
33725		33725-KHB4-E00	LENS LICENSE	LENS LICENSE	1	
33726		33726-LCA5-E00	SOCKET COMP	SOCKET COMP	1	
33734		33734-AEC9-E00	STAY REFLEX REFLECTOR	STAY REFLEX REFLECTOR	2	
33741		33741-ALC1-E00	REFLEX REFLECTOR	REFLEX REFLECTOR	2	
33749		33749-ALC1-E00	PACKING R REPLECTOR RR	PACKING R REPLECTOR RR	1	
33750		33750-ALC1-E00	LIGHT ASSY L RR COMB	LIGHT ASSY L RR COMB	1	
33751		33751-ALC1-E00	LENS UNIT	LENS UNIT	1	
33752		33752-ALC1-E00	COVER UNIT	COVER UNIT	1	
33759		33759-ALC1-E00	PACKING L REPLECTOR RR	PACKING L REPLECTOR RR	1	
33761		33761-PUA6-MX0	REFLEX REFLECTOR (Red)	REFLEX REFLECTOR (Red)	2	
33788		33788-ALC1-E00	SEAL	SEAL	1	
34903		34903-KPCP-900	BULB POSITION LIGHT 12V5W **KCP-	BULB POSITION LIGHT 12V5W	1	
90302		90302-GFY6-940	BOLT-WASH 5*16	BOLT-WASH 5*16	8	
91508		91508-KGV7-67A	SCREW TAPPING 4*14	SCREW TAPPING 4*14	2	

F19

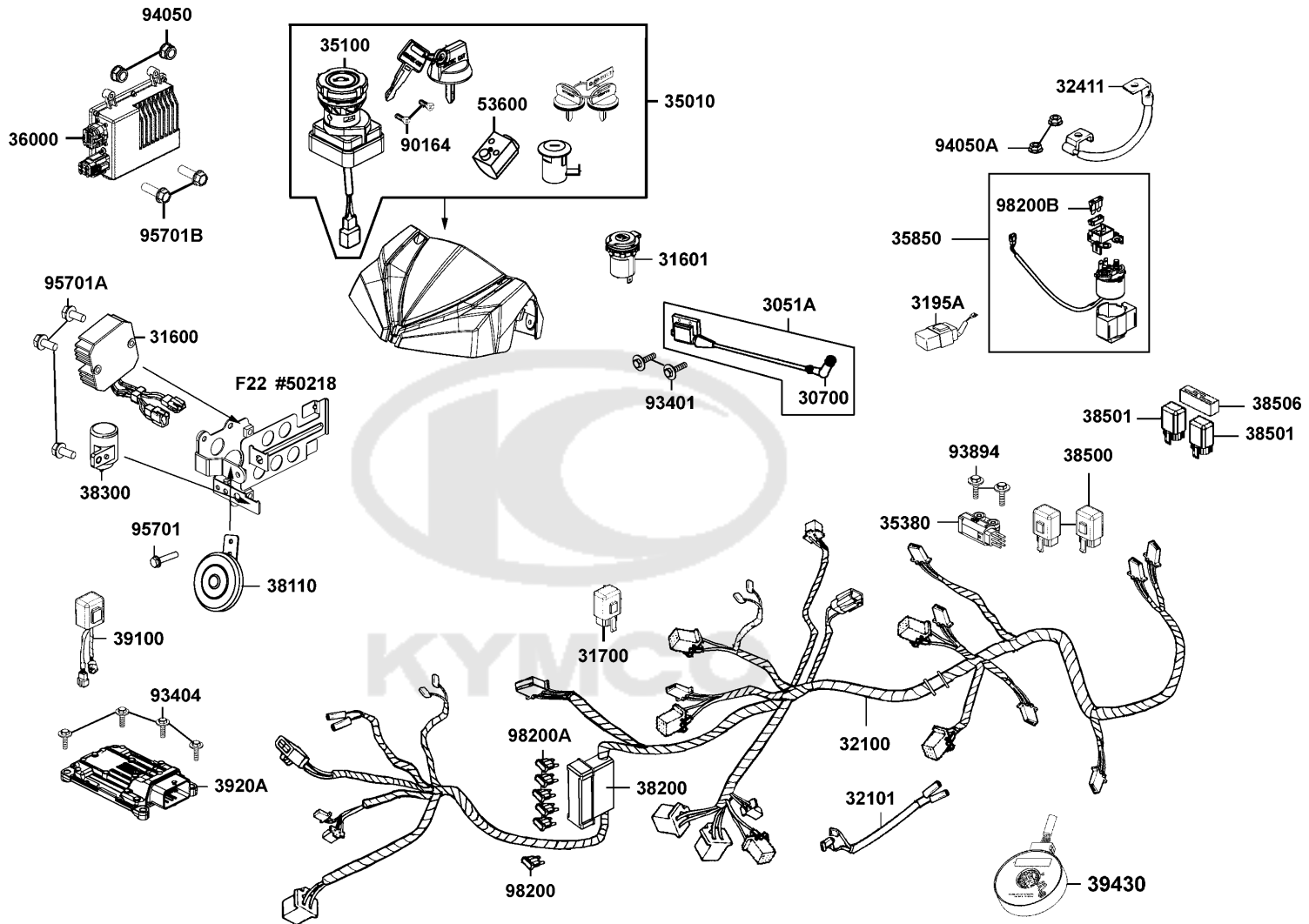
Light Tail



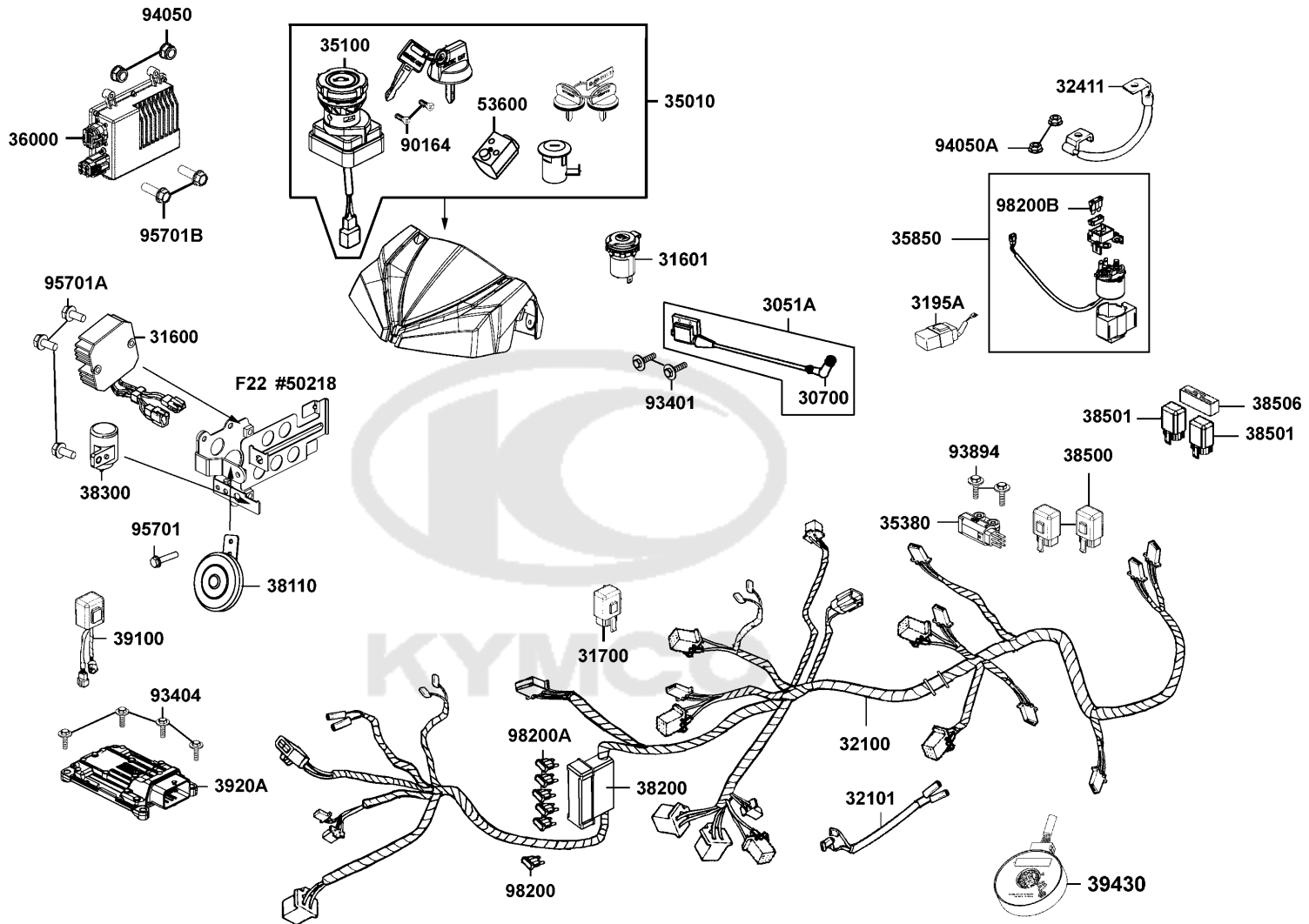
Sales mark	Ref no	Part no	Description	Reg description	Regd no	F19
------------	--------	---------	-------------	-----------------	---------	------------

93895		93895-ALC1-E00	SCREW 3.5*10	SCREW 3.5*10	16	
94050		94050-05080	NUT FLANGE 5MM	NUT FLANGE 5MM	4	
94591		94591-KFBF-900	CLIP 2*70	CLIP 2*70	2	





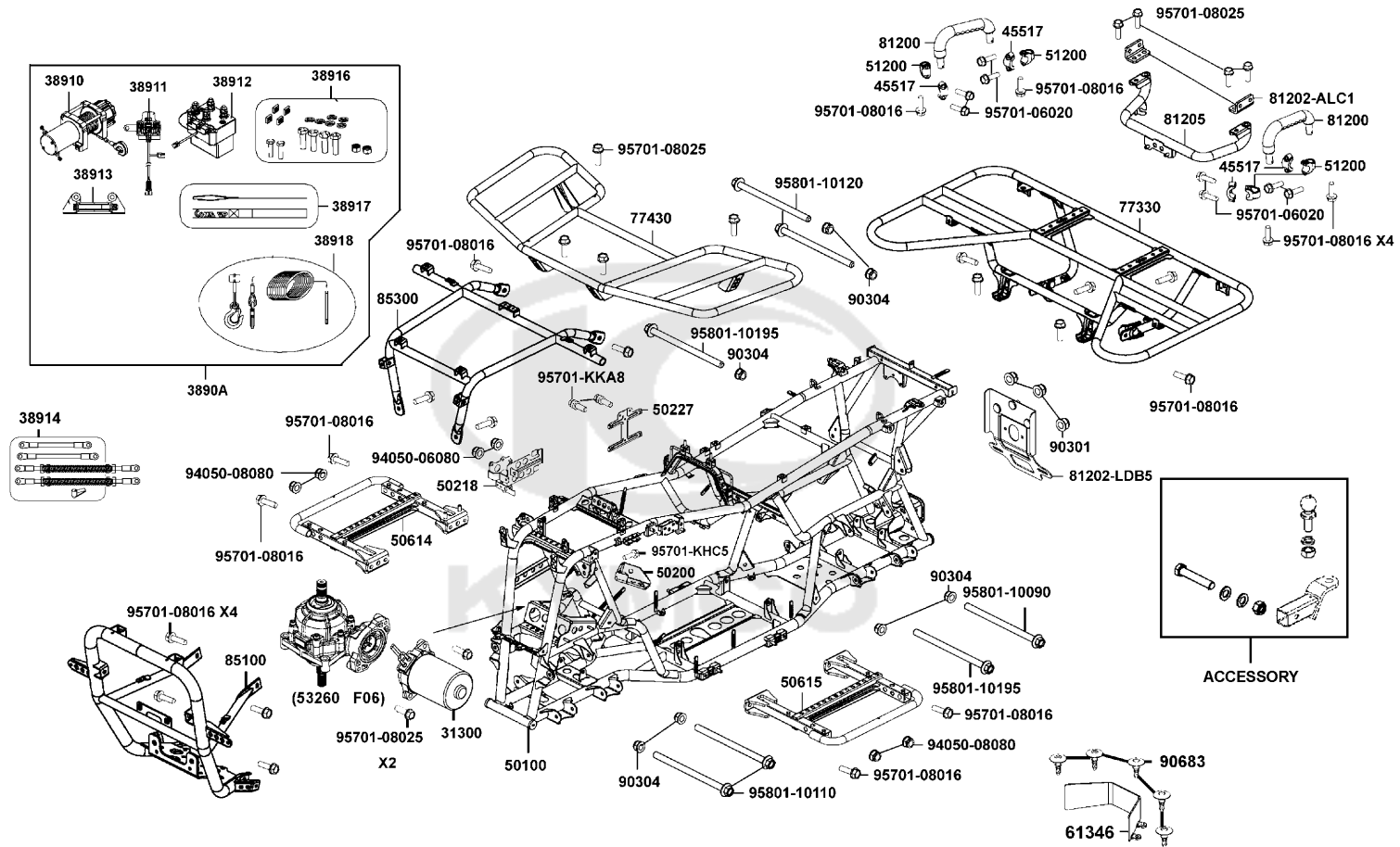
Sales mark	Ref no	Part no	Description	Reg description	Regd no	F20
	3051A	3051A-LKM5-E00	COIL ASS Y IGNITION	COIL ASS'Y IGNITION	1	
	30700	30700-PTA1-800	CAP ASS Y NOISE SUPPRESOR	CAP ASSY NOISE SUPPRESOR	1	
	31600	31600-LKM5-E00	REG RECT COMP	REG RECT COMP	1	
	31601	31601-LDB5-E00	SOCKET COMP DC 12V	SOCKET COMP DC 12V	1	
	31700	31700-KEC8-E00	RECTIFIER COMP DIODE	RECTIFIER COMP DIODE	1	
	3195A	3195A-LBA7-E00	HAZARD CONTROL ASSY	HAZARD CONTROL ASSY	1	
	32100	32100-AEF8-E00	HARNESS WIRE	HARNESS WIRE	1	
	32101	32101-LLB1-800	SUB CORD	SUB CORD	1	
	32411	32411-ALC1-E00	CABLE BAT	CABLE BAT	1	
	35010	35010-ALC1-EV0	KEY SET (A.H.C.)	KEY SET (A.H.C.)	1	
	35100	35100-ALC1-306	SW ASSY COMB	SW ASSY COMB	1	
	35380	35380-LDF2-900	SENSOR ANGLE DETECT	SENSOR ANGLE DETECT	1	
	35850	35850-LDB5-E00	SET START MAG	SET START MAG	1	
	36000	36000-AAJ5-E00	ELEC CONTROL ASS'Y EPS	ELEC CONTROL ASS'Y EPS	1	
	38110	38110-LDB5-E00	HORN COMP	HORN COMP	1	
	38200	38200-KHE7-900	BOX COMP FUSE	BOX COMP FUSE	1	
	38300	38300-KKE5-E00	RELAY COMP WINKER	RELAY COMP WINKER	1	
	38500	38500-LGL3-90A	RELAY ASSY LIGHT	RELAY ASSY LIGHT	2	
	38501	38501-LGL3-90A	RELAY COMP LIGHT	RELAY COMP LIGHT	8	
	38506	38506-KHD8-900	CUSHION START RELAY	CUSHION START RELAY	2	



Sales mark	Ref no	Part no	Description	Reg description	Regd no	F20
39100		39100-LBA7-E00	EMI FILTER FAN MOTOR	EMI FILTER FAN MOTOR	1	
3920A		3920A-AEC8-E00	MODULE ASSY ECU	MODULE ASSY ECU	1	
39430		39430-AAJ5-E00	TORQUE SENSOR ASS'Y EPS	TORQUE SENSOR ASS'Y EPS	1	
53600		53600-KKAK-325	LOCK STEERING HANDLE ASSY	LOCK STEERING HANDLE ASSY	1	
90164		90164-0H28-900	SCREW FLAT U LOCK 6*12	SCREW FLAT U LOCK 6*12	2	
93401		93401-04025-06	BOLT WASHER 4X25	BOLT WASHER 4X25	1	
93404		93404-06020-06	BOLT WASHER 6*20 (G)	BOLT WASHER 6X20	4	
93894		93894-04022-06	SCREW WASHER 4X22	SCREW WASHER 4X22	1	
94050		94050-06060	NUT FLANGE 6MM	NUT FLANGE 6MM	2	
94050A		94050-06080	NUT FLANGE 6MM	NUT FLANGE 6MM	2	
95701		95701-06012-06	BOLT FLANGE 6*12 **07 C.2005.07.01	BOLT FLANGE 6X12	1	
95701A		95701-06016-06	BOLT FLANGE 6*16 (K)	BOLT FLANGE 6X16	3	
95701B		95701-06045-06	BOLT FLANGE 6*45	BOLT FLANGE 6*45	2	
98200		98200-31000	BLADE FUSE 10A **(0) C.2005.03.01	BLADE FUSE 10A	1	
98200A		98200-31500	BLADE FUSE 15A	BLADE FUSE 15A	5	
98200B		98200-33000	BLADE FUSE 30A	BLADE FUSE 30A	1	

F21

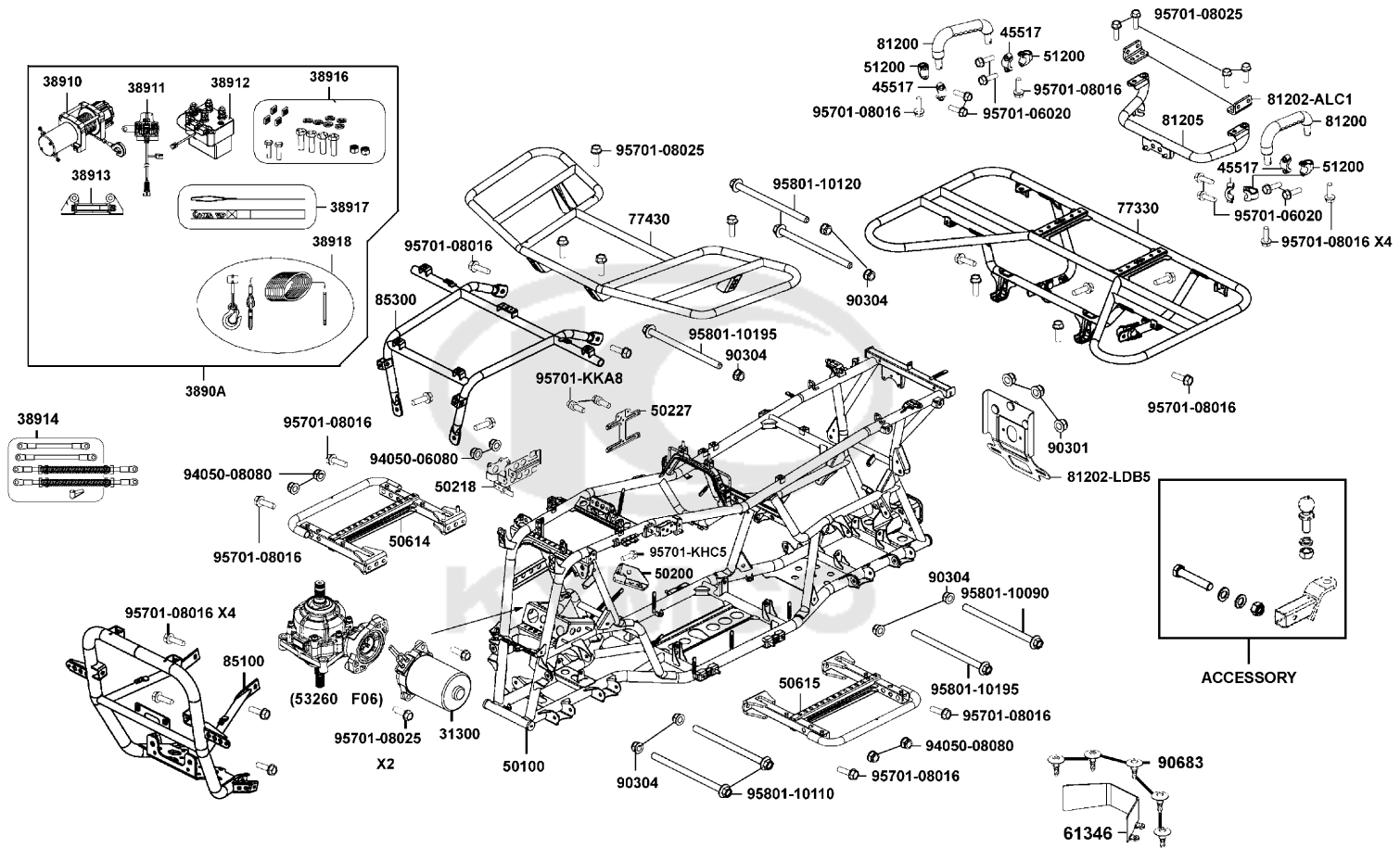
Frame Body



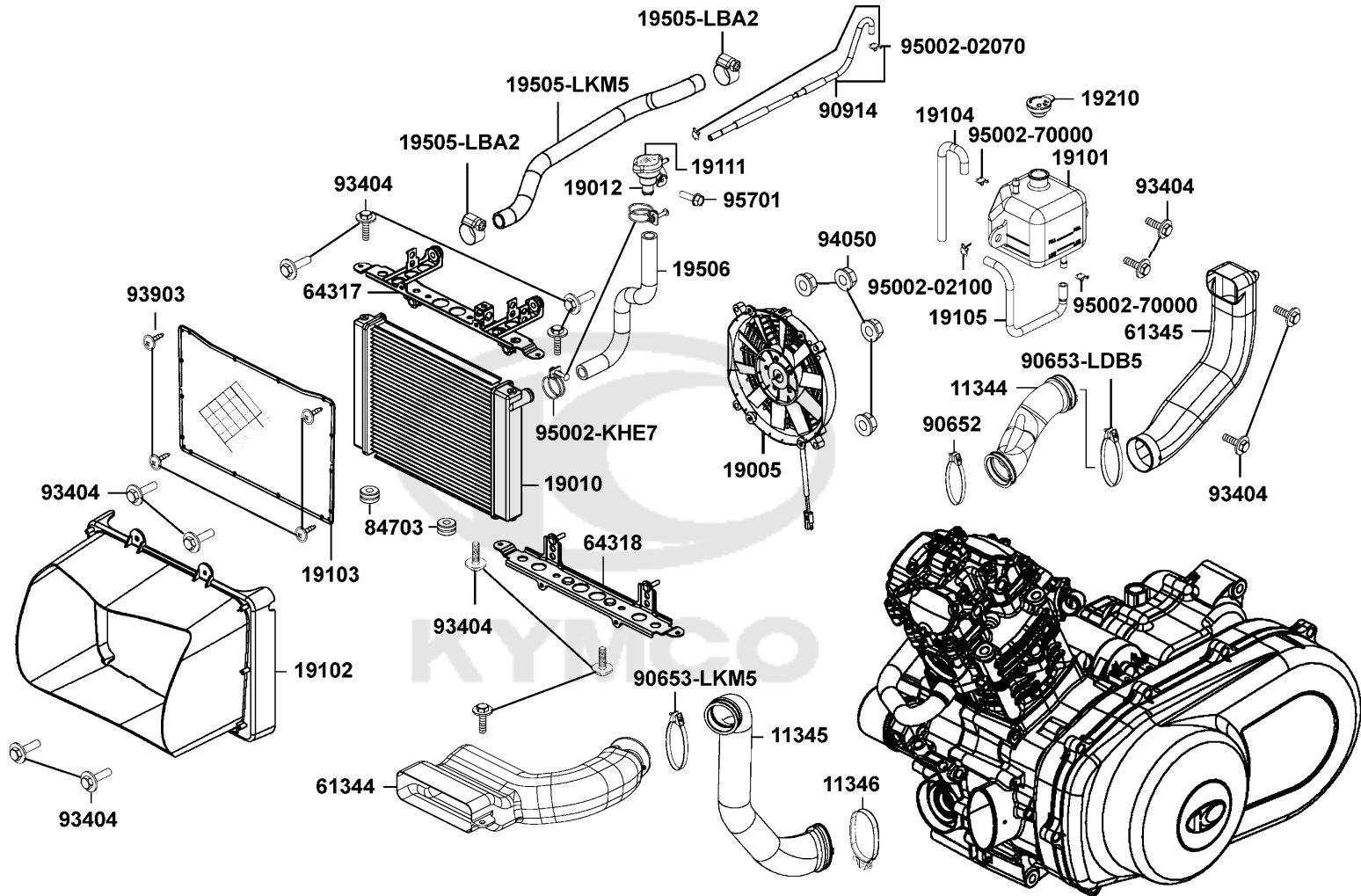
Sales mark	Ref no	Part no	Description	Reg description	Regd no	F21
	31300	31300-AAJ5-E00	MOTOR ASSY EPS	MOTOR ASSY EPS	1	
	3890A	3890A-AAJ5-E00	ASSY WINCH	ASSY WINCH	1	
	38910	38910-LFE9-E02	WINCH COMP	WINCH COMP	1	
	38911	38911-LFE9-E02	ROCKER SWITCH CABLE	ROCKER SWITCH CABLE	1	
	38912	38912-AAJ5-E00	RELAY ASSY WINCH	RELAY ASSY WINCH	1	
	38913	38913-LFE9-E02	ROLLER FAIRLEAD	ROLLER FAIRLEAD	1	
	38914	38914-AAJ5-E00	POWER WIRE	POWER WIRE	1	
	38916	38916-LFE9-E02	HARDWARE	HARDWARE	1	
	38917	38917-LFE9-E02	HOOK PART ACCESSORIES	HOOK PART ACCESSORIES	1	
	38918	38918-LFE9-E02	CABLE WIRE	CABLE WIRE	1	
	45517	45517-1F66-007	HOLDER M/C	HOLDER M/C	4	
	50100	50100-AEF8-E00	BODY COMP FRAME	BODY COMP FRAME	1	
	50200	50200-AAJ5-E00	STAY LOCK	STAY LOCK	1	
	50218	50218-LKM5-E00	STAY ELE SET	STAY ELE SET	1	
	50227	50227-LKA8-E00	STAY. ECU	STAY. ECU	1	
	50614	50614-ALC1-E00	STAY R FLOOR PANEL	STAY R FLOOR PANEL	1	
	50615	50615-ALC1-E00	STAY L FLOOR PANEL	STAY L FLOOR PANEL	1	
	51200	51200-ALC1-Y00	HOLDER GRIP	HOLDER GRIP	1	
	61346	61346-LKM5-E00	PLATE CVT INTAKE	PLATE CVT INTAKE	1	
	77430	77430-ALC1-E01	CARRIER FR RACK	CARRIER FR RACK	1	

F21

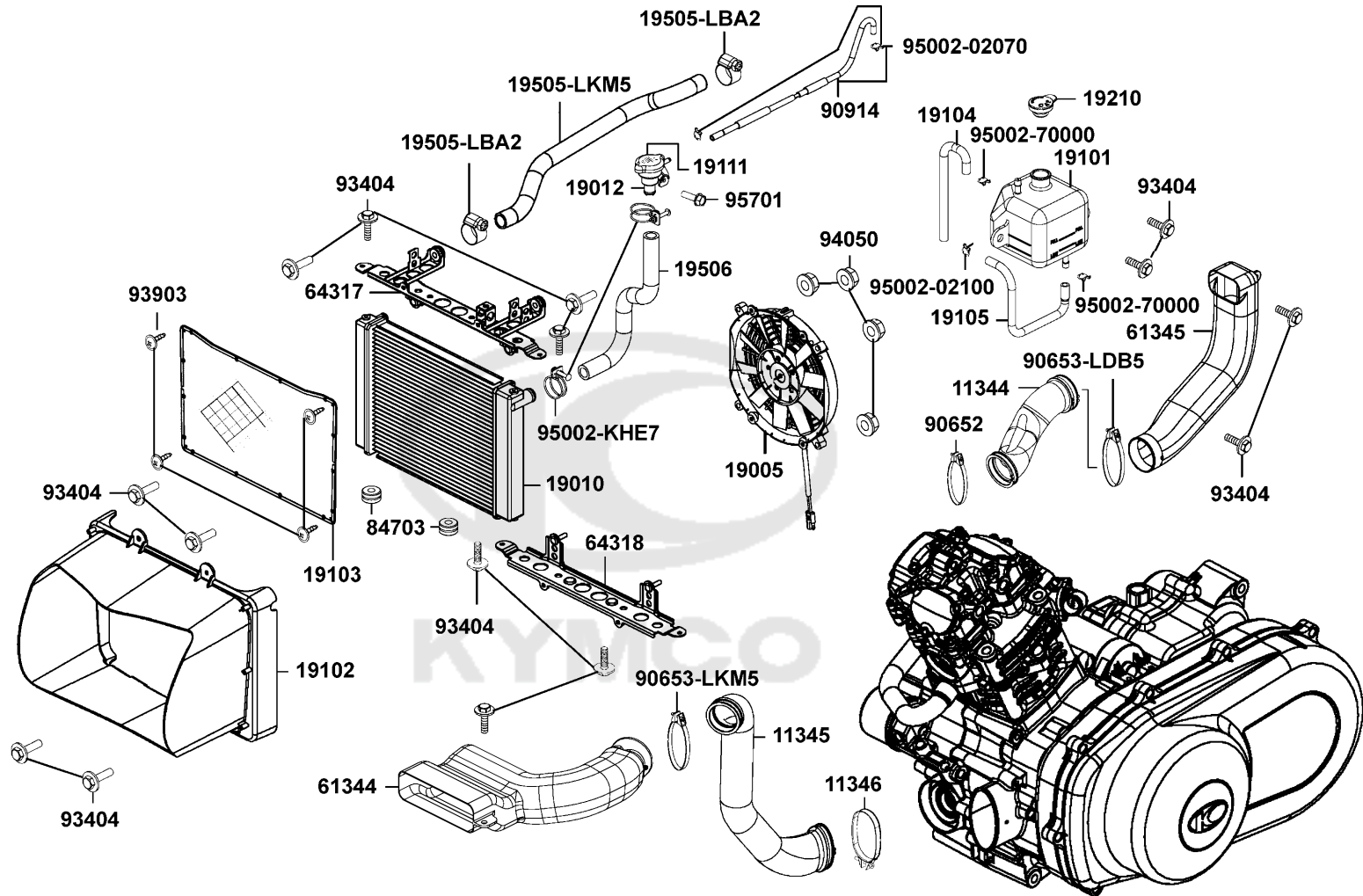
Frame Body



Sales mark	Ref no	Part no	Description	Reg description	Regd no	F21
81200		81200-ALC1-Y00	GRIP R REAR SEAT	GRIP R REAR SEAT	1	
81202-ALC1		81202-ALC1-Y00	BRKT REAR SEAT	BRKT REAR SEAT	1	
81202-LDB5		81202-LDB5-E00	STAY NUMBER PLATE	STAY NUMBER PLATE	1	
81205		81205-ALC1-Y00	PIPE COMP REAR SEAT	PIPE COMP REAR SEAT	1	
85100		85100-ALC1-E00	PIPE COMP FR BUMPER	PIPE COMP FR BUMPER	1	
85300		85300-ALC1-E00	SUPPORT PIPE COMP RACK	SUPPORT PIPE COMP RACK	1	
90301		90301-6C93-001	NUT 6MM OPENSTAY	NUT 6MM OPENSTAY	3	
90304		90304-GLW0-90A	NUT U FLANGE 10MM	NUT U FLANGE 10MM	7	
90683		90683-GAR1-004	CLIP BODY COVER	CLIP BODY COVER	5	
94050-06080		94050-06080	NUT FLANGE 6MM	NUT FLANGE 6MM	2	
94050-08080		94050-08080	NUT FLANGE 8MM	NUT FLANGE 8MM	4	
95701-06020		95701-06020-06	BOLT FLANGE 6*20	BOLT FLANGE 6*20	8	
95701-08016		95701-08016-06	BOLT FLANGE 8*16	BOLT FLANGE 8*16	24	
95701-08025		95701-08025-06	BOLT FLANGE 8*25	BOLT FLANGE 8*25	8	
95701-KHC5		95701-KHC5-E00	BOLT TORQUE 8*25	BOLT TORQUE 8X20	2	
95701-KKA8		95701-KKA8-900	BOLT TORQUE	BOLT TORQUE	2	
95801-10090		95801-10090-06	BOLT FLANGE 10*90	BOLT FLANGE 10*90	1	
95801-10110		95801-10110-06	BOLT FLANGE 10*110	BOLT FLANGE 10*110	2	
95801-10120		95801-10120-06	BOLT FLANGE 10*120	BOLT FLANGE 10*120	2	
95801-10195		95801-10195-06	BOLT FLANGE 10*195	BOLT FLANGE 10*195	2	



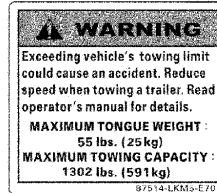
Sales mark	Ref no	Part no	Description	Reg description	Regd no	F22
11344		11344-LKM5-E00	PLATE L COVER	PLATE L COVER	1	
11345		11345-LKM5-E00	DUCT L COVER	DUCT L COVER	1	
11346		11346-LKM5-E00	BAND 75X105 FRONT CVT TUBE	BAND 75X105 FRONT CVT TUBE	1	
19005		19005-LEE8-E0A	SHROUD ASSY	SHROUD ASSY	1	
19010		19010-LKM5-E00	RADIATOR COMP	RADIATOR COMP	1	
19012		19012-KHD8-900	UNIT RADIATOR	UNIT RADIATOR	1	
19101		19101-LFE9-E00	TANK RESERVE	TANK RESERVE	1	
19102		19102-LKM5-E00	DUCT COOLING AIR	DUCT COOLING AIR	1	
19103		19103-LKM5-E00	GRID RADIATOR	GRID RADIATOR	1	
19104		19104-LDB5-E00	HOSE ASSY DRAIN	HOSE ASSY DRAIN	1	
19105		19105-LDB5-E00	HOSE ASSY RESERVE TANK-PRESSURE	HOSE ASSY RESERVE TANK-PRESSURE	1	
19111		19111-GBE2-004	CAP COMP	CAP COMP	1	
19210		19210-KKC4-900	CAP RESERVE TANK	CAP RESERVE TANK	1	
19505-LBA2		19505-LBA2-E00	CLAMP WATER HOSE	CLAMP WATER HOSE	2	
19505-LKM5		19505-LKM5-E00	HOSE WATER F ENG-RADIATOR	HOSE WATER F ENG-RADIATOR	1	
19506		19506-LKM5-E00	HOSE WATER G.RADIATOR-PRESSUR	HOSE WATER G.RADIATOR-PRESSUR	1	
61344		61344-LKM5-E00	CHAMBER L COVER DUCT A	CHAMBER L COVER DUCT A	1	
61345		61345-ALC1-E00	CHAMBER L COVER DUCT B	CHAMBER L COVER DUCT B	1	
64317		64317-LKM5-E00	BRKT RADIATOR UPPER	BRKT RADIATOR UPPER	1	
64318		64318-LKM5-E00	BRKT RADIATOR LOWER	BRKT RADIATOR LOWER	1	



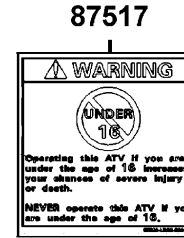
Sales mark	Ref no	Part no	Description	Reg description	Regd no	F22
84703		84703-LLB1-900	RUBBER TAIL LIGHT	RUBBER TAIL LIGHT	2	
90652		90652-LDB5-E00	BAND 67 FRONT CVT DUCT	BAND 67 FRONT CVT DUCT	1	
90653-LDB5		90653-LDB5-E00	BAND 81 REAR CVT DUCT	BAND 81 REAR CVT DUCT	1	
90653-LKM5		90653-LKM5-E00	BAND	BAND	1	
90914		90914-LKM5-E00	TUBE ASSY WATER	TUBE ASSY WATER	1	
93404		93404-06016-06	BOLT WASHER 6*16	BOLT WASHER 6*16	15	
93903		93903-KEB7-900	SCREW WASHER 4*12	SCREW WASHER 4*12	4	
94050		94050-06080	NUT FLANGE 6MM	NUT FLANGE 6MM	4	
95002-02070		95002-02070	CLIP B7 TUBE	CLIP B7 TUBE	2	
95002-02100		95002-02100	CLIP B15 TUBE	CLIP B15 TUBE	1	
95002-70000		95002-70000	CLIP C11 TUBE	CLIP C11 TUBE	2	
95002-KHE7		95002-KHE7-900	CLIP WATER HOSE	CLIP WATER HOSE	2	
95701		95701-06012-06	BOLT FLANGE 6*12 **07 C.2005.07.01	BOLT FLANGE 6X12	1	



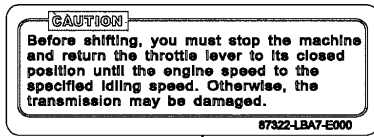
87505



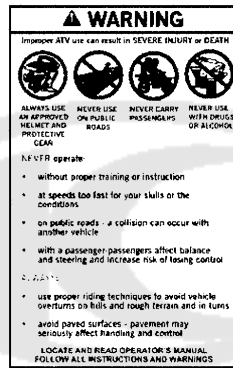
87514



87517



87322



87515



87529



87519



87556-LDB5-E00



87556-LDB5-E01

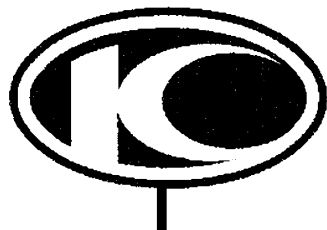


86182

Sales mark	Ref no	Part no	Description	Reg description	Regd no	F23
------------	--------	---------	-------------	-----------------	---------	------------

**	86182	86182-ALC1-EVV	SW LABEL	SW LABEL	1	
**	87519	87519-AEC8-E00	SPEED LIMIT LABEL	SPEED LIMIT LABEL	1	

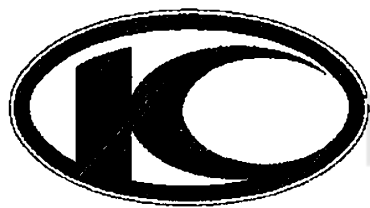




86102



86202



87532-LCA5

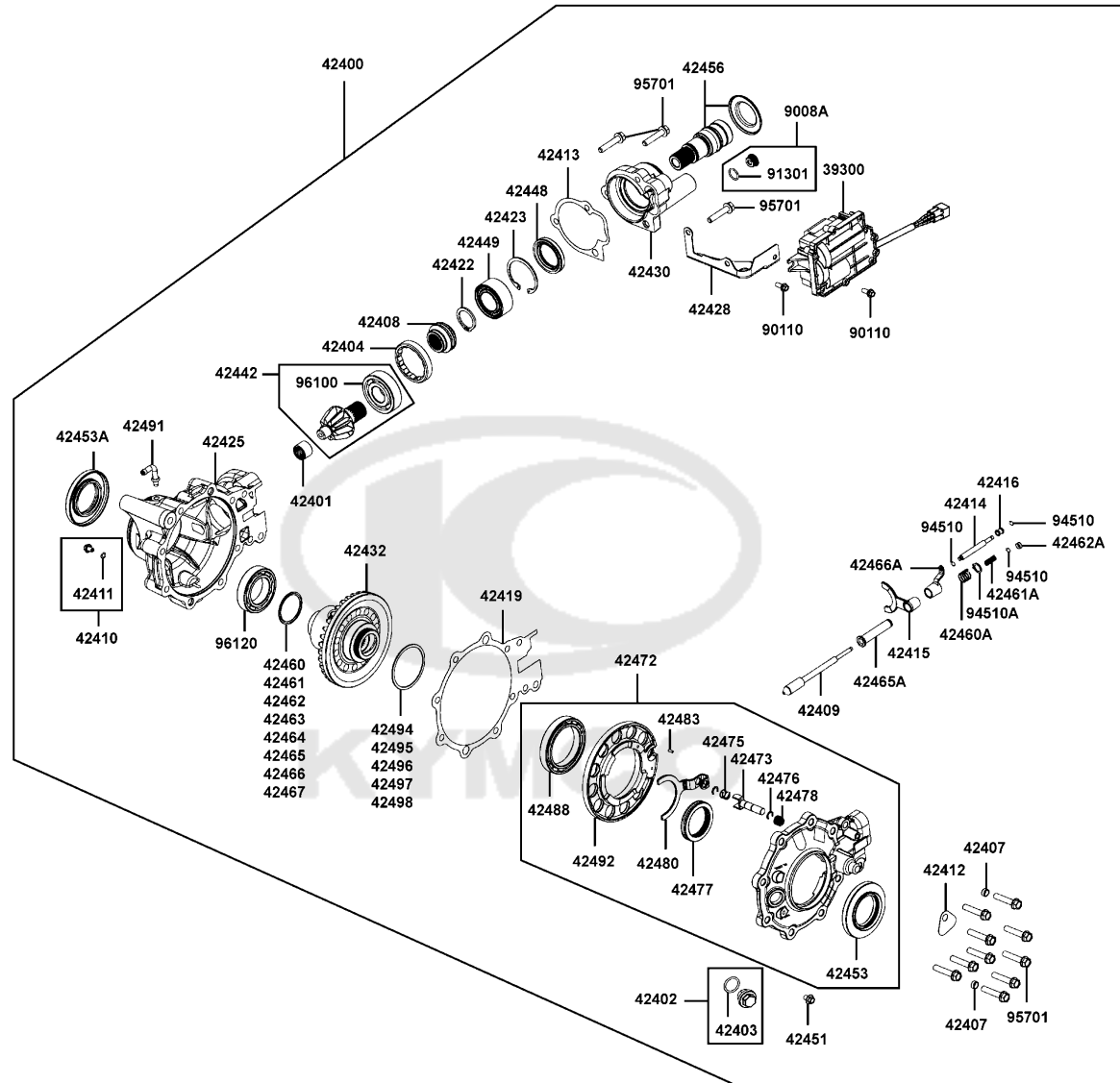


87532-LBE8

Sales mark	Ref no	Part no	Description	Reg description	Regd no	F24
**	86102	86102-ALC1-E00	EMB K LOGO 50 MM	EMB K LOGO 50 MM	1	
**	86202	86202-ADG6-E60	STRIPE TANK COVER	STRIPE TANK COVER	1	
**	87532-LBE8	87532-LBE8-900	STRIPE KYMCO	STRIPE KYMCO	1	
**	87532-LCA5	87532-LCA5-900	STRIPE K-LOGO 60MM	STRIPE K-LOGO 60MM	1	

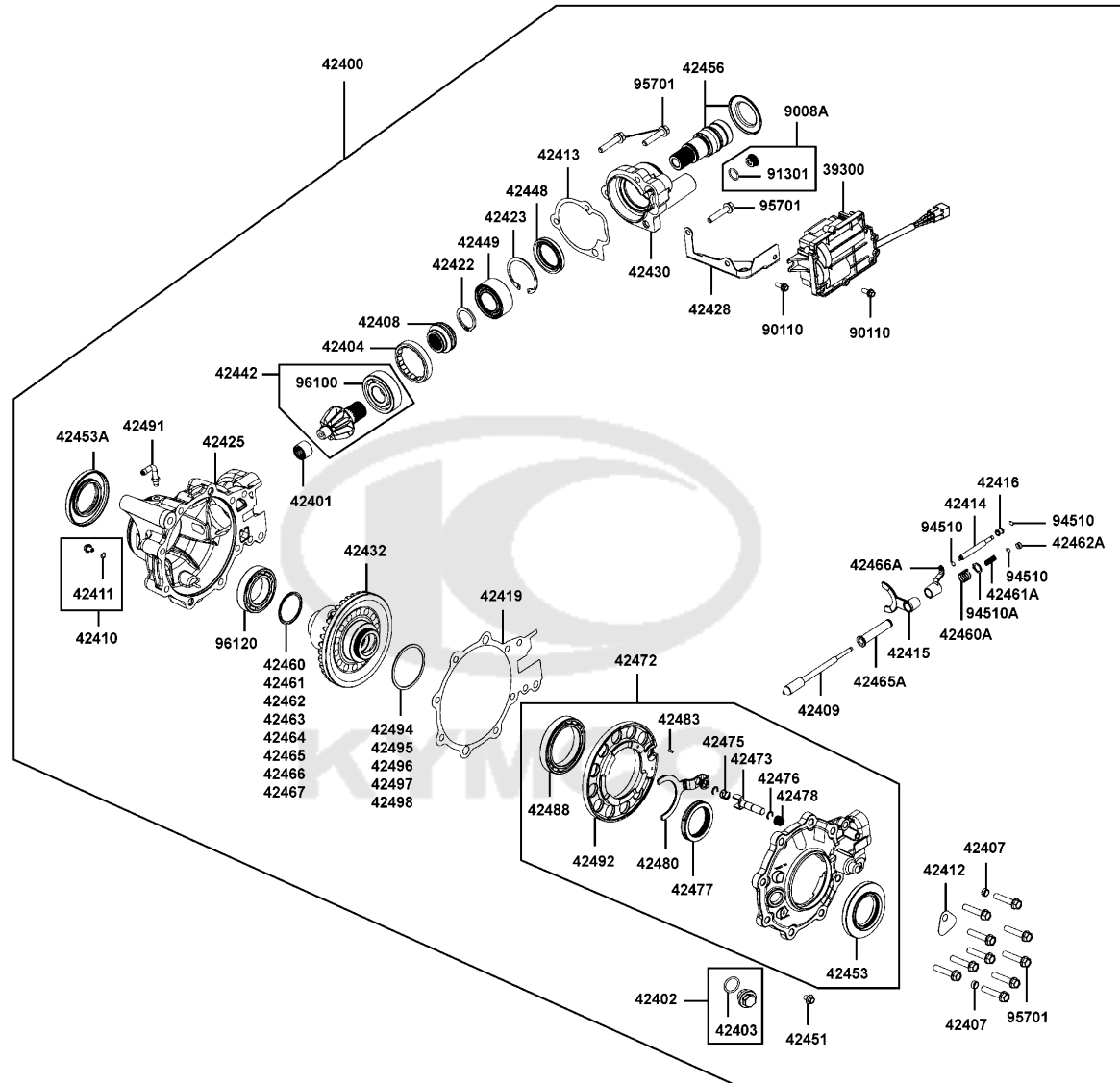


Separated Parts Of Fr Final Differential



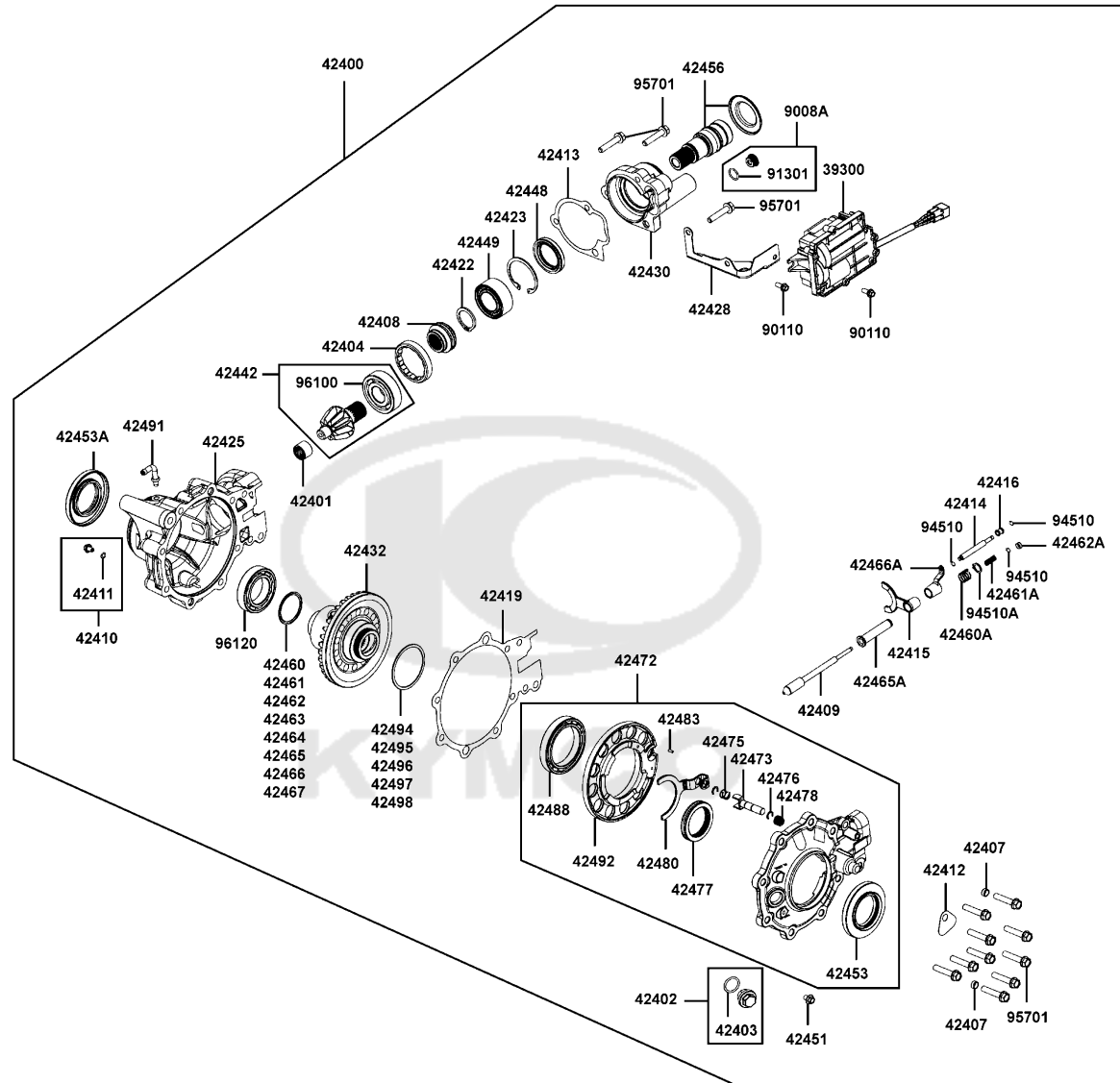
Sales mark	Ref no	Part no	Description	Reg description	Regd no	F25
39300		39300-LKC3-500	ACTUATOR 2x4-LOCK ASSY	ACTUATOR	1	
42400		42400-LKA8-500	E-LOCK GEARCASE FRONT 3.6	E-LOCK GEARCASE FRONT 3.6	1	
42402		42402-LFA5-900	PLUG FILL	PLUG FILL	1	
42403		42403-PWB1-900	O-RING 20X2.5MM	O-RING 20X2.5MM	1	
42404		42404-LFA5-900	COLLAR LOCK M64X1.5 RH	COLLAR LOCK M64X1.5 RH	1	
42407		42407-LFA5-900	PIN DOWEL	PIN DOWEL	1	
42408		42408-LKC3-500	COUPLER DRIVE	COUPLER DRIVE	1	
42409		42409-LKC3-500	SHAFT E-LOCK SELECTOR	SHAFT E-LOCK SELECTOR	1	
42410		42410-LFA5-900	PLUG DRAIN MAG	PLUG DRAIN MAG	1	
42412		42412-LFA5-900	TAG ID GEARCASE	TAG ID GEARCASE	1	
42413		42413-LKC3-500	GASKET FLANGE	GASKET FLANGE	1	
42414		42414-LKC3-500	SHAFT.,SELECTOR	SHAFT SELECTOR	1	
42415		42415-LKC3-500	FORK SELECTOR	FORK SELECTOR	1	
42416		42416-LKC3-500	COLLAR ACTUATOR	COLLAR ACTUATOR	1	
42419		42419-LKC3-500	GASKET HOUSING	GASKET HOUSING	1	
42422		42422-LFA5-900	RING RETAINING ONE	RING RETAINING ONE	1	
42423		42423-LFA5-900	RING RETAINING	RING RETAINING	1	
42425		42425-LKA8-500	HOUSING GEARCASE-FRONT MACH	HOUSING GEARCASE-FRONT MACH	1	
42428		42428-LKC3-500	BRACKET ACTUATOR-WELDMENT	BRACKET ACTUATOR-WELDMENT	1	
42430		42430-LKC3-500	HOUSING PINION-MACH	HOUSING PINION-MACH	1	

Separated Parts Of Fr Final Differential



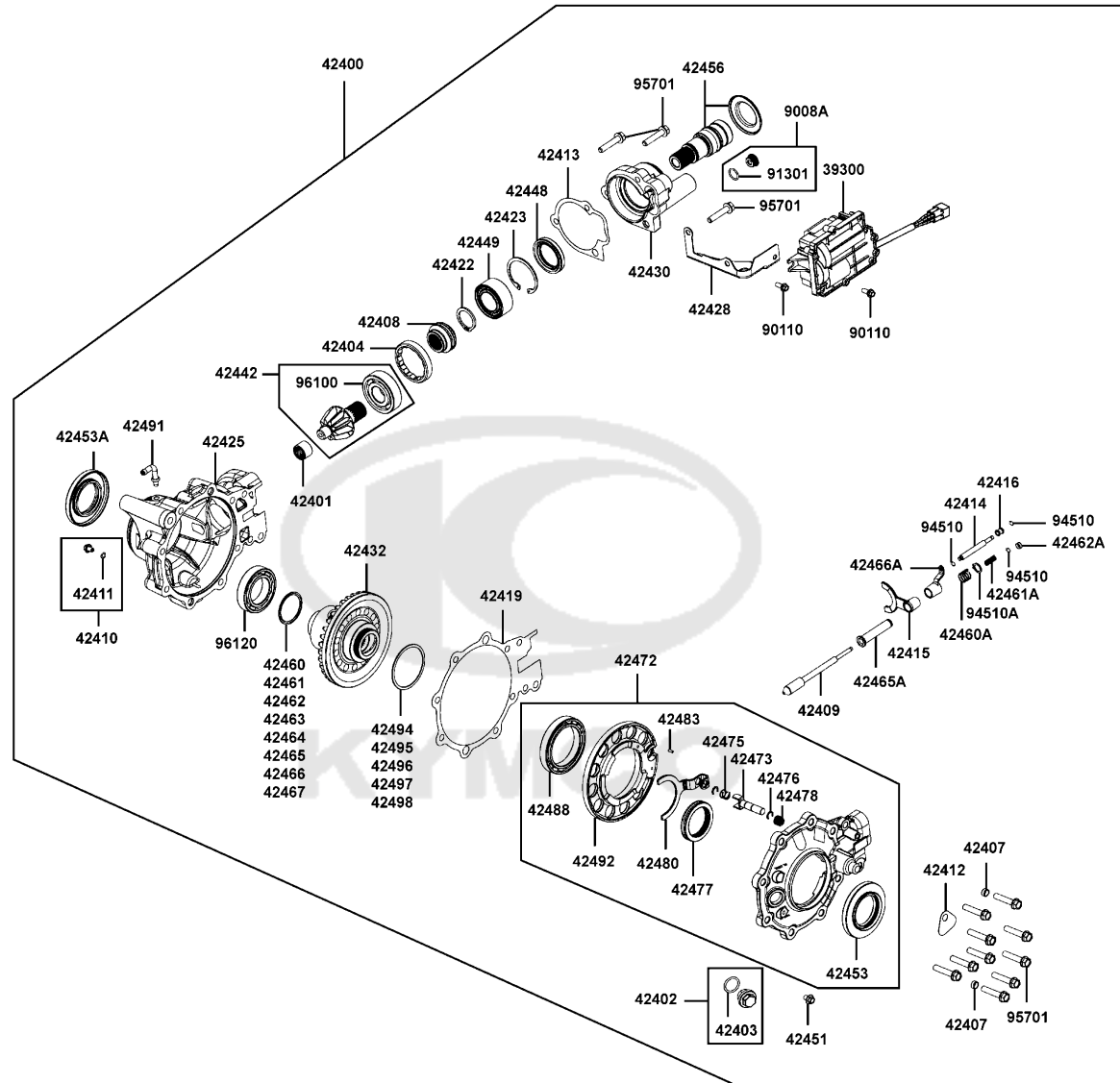
Sales mark	Ref no	Part no	Description	Reg description	Regd no	F25
42432		42432-LEE8-810	E-LOCK.OPEN TYPE GEARCASE	E-LOCK.OPEN TYPE GEARCASE	1	
42442		42442-LKC3-500	PINION(10 TOOTH)-ASSEMBLY	PINION(10 TOOTH)-ASSEMBLY	1	
42448		42448-LFA5-900	SEAL 38*55*14	SEAL 38*55*14	1	
42451		42451-LFA5-900	PLUG OIL LEVEL	PLUG OIL LEVEL	1	
42453A		42453-LGC3-900	OIL SEAL 48*84*9	OIL SEAL 48*84*9	2	
42456		42456-LKM8-510	SHAFT INPUT ASSEMBLY	SHAFT INPUT ASSEMBLY	1	
42460		42460-LFA5-900	SHIM 41*49*1.0	SHIM 41*49*1.0	1	
42460A		42460-LKC3-500	SPRING A E-LOCK	SPRING A E-LOCK	1	
42461		42461-LFA5-900	SHIM 41*49*1.1	SHIM 41*49*1.1	1	
42461A		42461-LKC3-500	SPRING B E-LOCK	SPRING B E-LOCK	1	
42462		42462-LFA5-900	SHIM 41*49*1.2	SHIM 41*49*1.2	1	
42462A		42462-LKC3-500	CAP E-LOCK	CAP E-LOCK	1	
42463		42463-LFA5-900	SHIM 41*49*1.3	SHIM 41*49*1.3	1	
42464		42464-LFA5-900	SHIM 41*49*1.4	SHIM 41*49*1.4	1	
42465		42465-LFA5-900	SHIM 41*49*1.5	SHIM 41*49*1.5	1	
42465A		42465-LKC3-500	SHAFT SELECTOR	SHAFT SELECTOR	1	
42466		42466-LFA5-900	SHIM 41*49*1.6	SHIM 41*49*1.6	1	
42466A		42466-LKC3-500	STAY..SELECTOR	STAY..SELECTOR	1	
42467		42467-LFA5-900	SHIM 41*49*1.7	SHIM 41*49*1.7	1	
42472		42472-LKC3-500	COVEFR LOCK ASSY	COVEFR LOCK ASSY	1	

Separated Parts Of Fr Final Differential



Sales mark	Ref no	Part no	Description	Reg description	Regd no	F25
	42473	42473-LKC3-500	SHAFT E-LOCK	SHAFT E-LOCK	1	
	42475	42475-LEE8-E00	SPRING	SPRING	1	
	42476	42476-LEE8-E00	RING PETAINING	RING PETAINING	1	
	42477	42477-LEE8-E00	COLLAR SLDING LOCK	COLLAR SLDING LOCK	1	
	42478	42478-LEE8-E00	SPRING SHAFT	SPRING SHAFT	1	
	42480	42480-LKC3-500	FORK E-LOCK	FORK E-LOCK	1	
	42483	42483-LEE8-E00	PIN PARALLEL	PIN PARALLEL	1	
	42488	42488-LEE8-E00	BEARING BALL	BEARING BALL	1	
	42491	42491-LEE8-E00	BARB 90	BARB 90	1	
	42492	42492-LKC3-500	FLANGE BEARING MACH	FLANGE BEARING MACH	1	
	42494	42494-LEE8-E00	SHIM 61*69*1.3mm	SHIM 61*69*1.3mm	1	
	42495	42495-LEE8-E00	SHIM 61*69*1.4mm	SHIM 61*69*1.4mm	1	
	42496	42496-LEE8-E00	SHIM 61*69*1.5mm	SHIM 61*69*1.5mm	1	
	42497	42497-LEE8-E00	SHIM 61*69*1.6mm	SHIM 61*69*1.6mm	1	
	42498	42498-LEE8-E00	SHIM 61*69*1.7 mm	SHIM 61*69*1.7 mm	1	
	9008A	9008A-LKC3-500	CAP ASSY E-LOCK	CAP ASSY E-LOCK	1	
	90110	90110-LFA5-900	BOLT SPECIAL 6X12	BOLT SPECIAL 6X12	1	
	91301	91301-LKC3-500	O-RING 14.8X1.9	O-RING 14.8X1.9	1	
	94510	94510-05000	CIR CLIP EX5	CIR CLIP EX5	1	
	94510A	94510-12000	CIR CLIP EXTERNAL 12	CIR CLIP EXTERNAL 12	1	

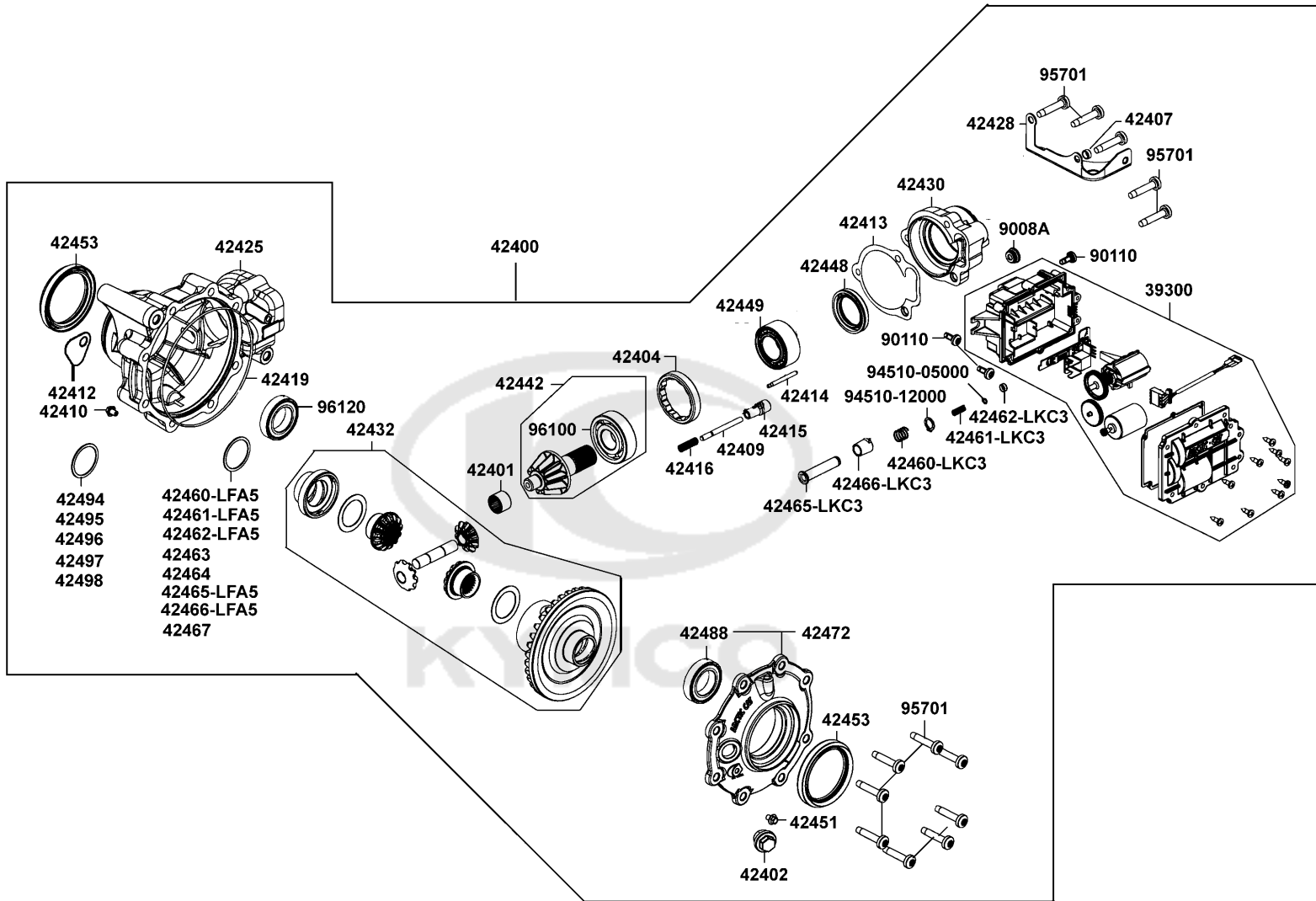
Separated Parts Of Fr Final Differential



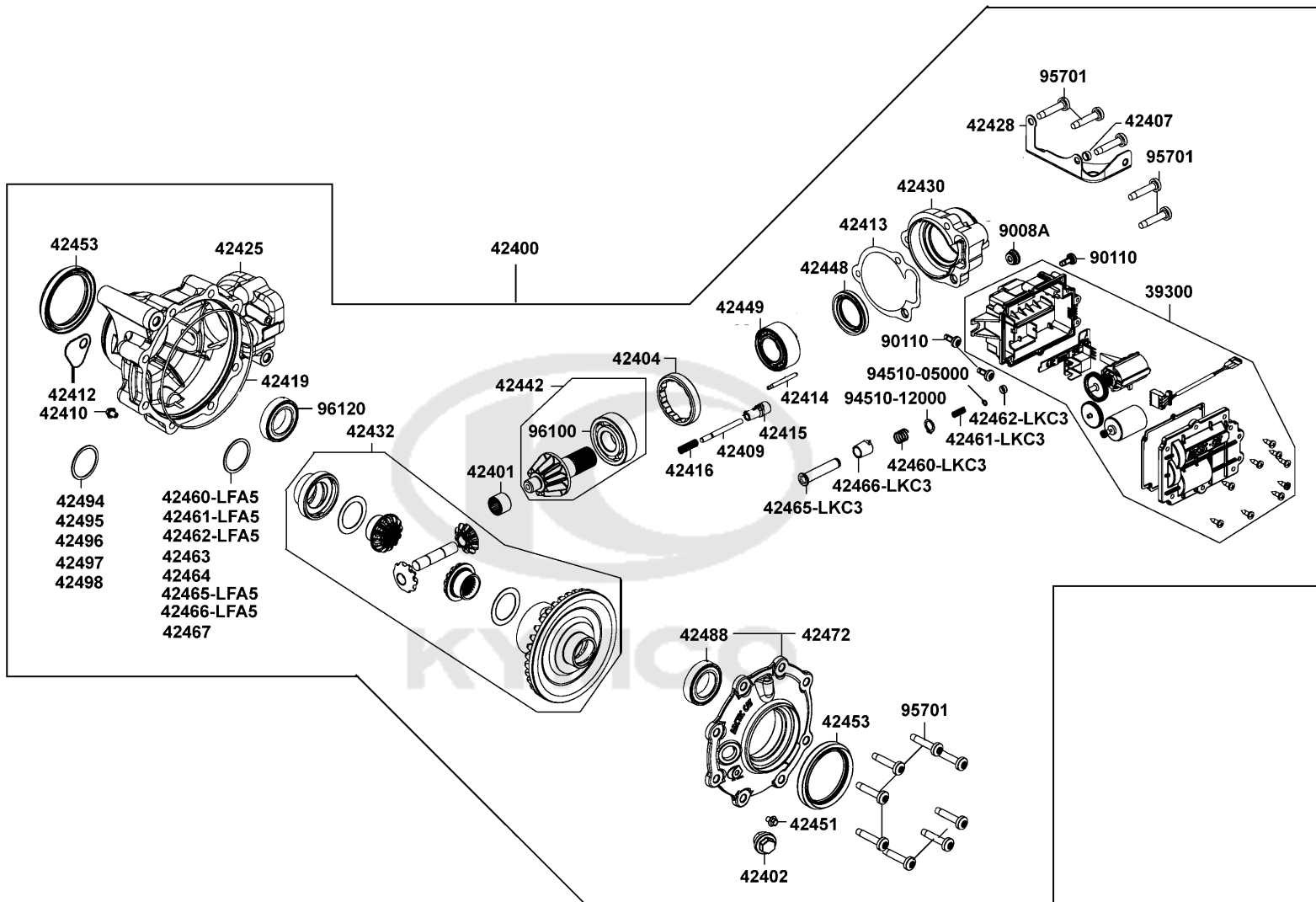
Sales mark	Ref no	Part no	Description	Reg description	Regd no	F25
------------	--------	---------	-------------	-----------------	---------	------------

95701		95701-08040-06	BOLT FLANGE 8x40 (G)	BOLT FLANGE 8x40 (G)	1	
96100		96100-63050-00	BRG BALL RADIAL 6305	BRG BALL RADIAL 6305	1	
96120		96120-60080-00	BEARING BALL 6008Z	BEARING BALL 6008Z	1	

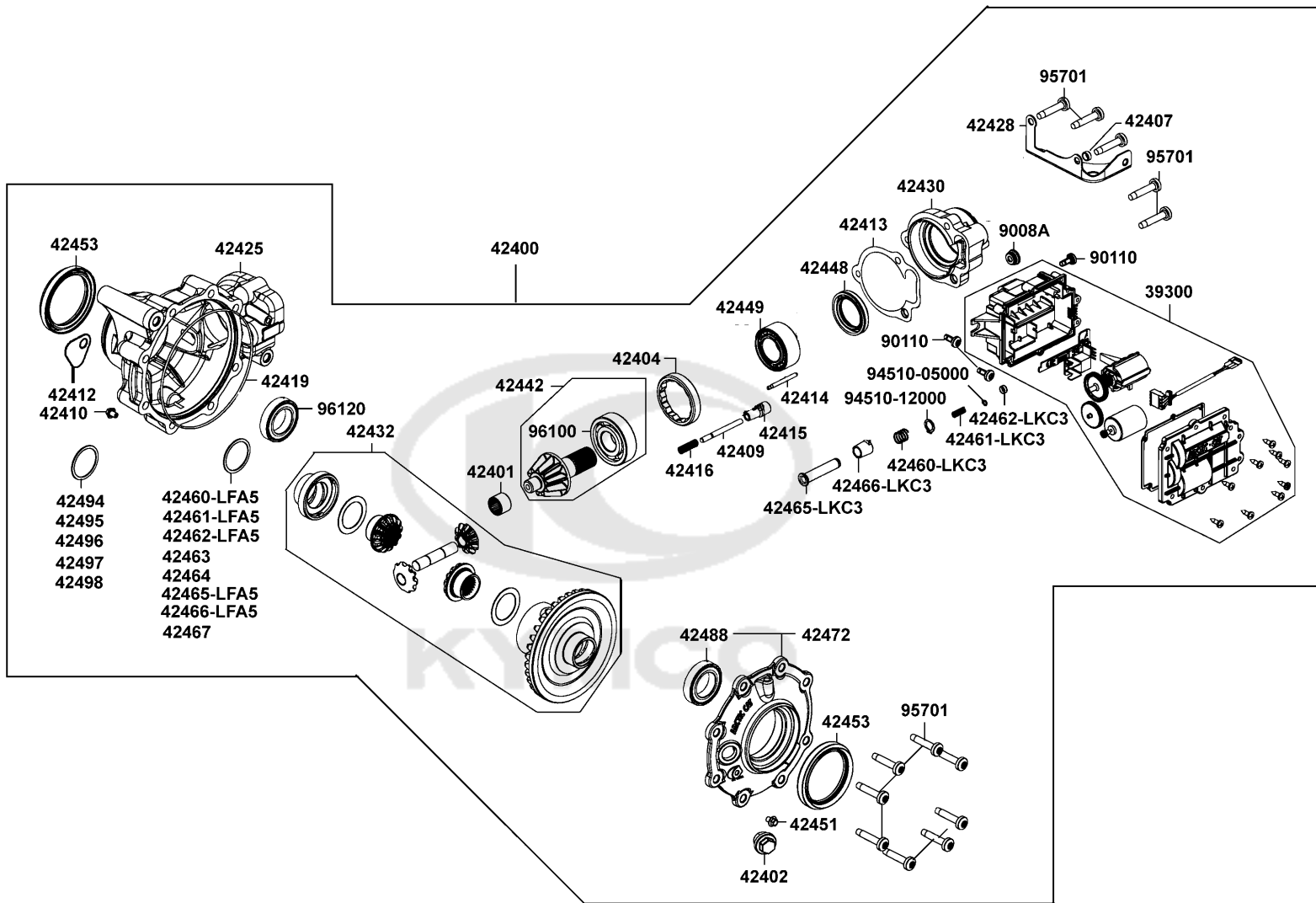




Sales mark	Ref no	Part no	Description	Reg description	Regd no	F26
39300		39300-LKC3-500	ACTUATOR 2x4-LOCK ASSY	ACTUATOR	1	
42400		42400-ALC1-510	E-LOCK GEARCASE 3.6	E-LOCK GEARCASE 3.6	1	
42402		42402-LFA5-900	PLUG FILL	PLUG FILL	1	
42404		42404-LFA5-900	COLLAR LOCK M64X1.5 RH	COLLAR LOCK M64X1.5 RH	1	
42407		42407-LFA5-900	PIN DOWEL	PIN DOWEL	1	
42409		42409-LKC3-500	SHAFT E-LOCK SELECTOR	SHAFT E-LOCK SELECTOR	1	
42410		42410-LFA5-900	PLUG DRAIN MAG	PLUG DRAIN MAG	1	
42412		42412-LFA5-900	TAG ID GEARCASE	TAG ID GEARCASE	1	
42413		42413-LKC3-500	GASKET FLANGE	GASKET FLANGE	1	
42414		42414-LKC3-500	SHAFT.,SELECTOR	SHAFT SELECTOR	1	
42415		42415-ALC1-510	COLLAR GEARCASE	COLLAR GEARCASE	1	
42416		42416-LKC3-500	COLLAR ACTUATOR	COLLAR ACTUATOR	1	
42419		42419-LKC3-500	GASKET HOUSING	GASKET HOUSING	1	
42425		42425-LKA8-500	HOUSING GEARCASE-FRONT MACH	HOUSING GEARCASE-FRONT MACH	1	
42428		42428-LKC3-500	BRACKET ACTUATOR-WELDMENT	BRACKET ACTUATOR-WELDMENT	1	
42430		42430-ALC1-510	HOUSING PINION-MACH	HOUSING PINION-MACH	1	
42432		42432-LEE8-810	E-LOCK.OPEN TYPE GEARCASE	E-LOCK.OPEN TYPE GEARCASE	1	
42442		42442-LKC3-500	PINION(10 TOOTH)-ASSEMBLY	PINION(10 TOOTH)-ASSEMBLY	1	
42448		42448-ALC1-500	OIL SEAL 45*55*7	OIL SEAL 45*55*7	1	
42449		42449-ALC1-500	BRG NEEDLE 45*55*25	BRG NEEDLE 45*55*25	1	



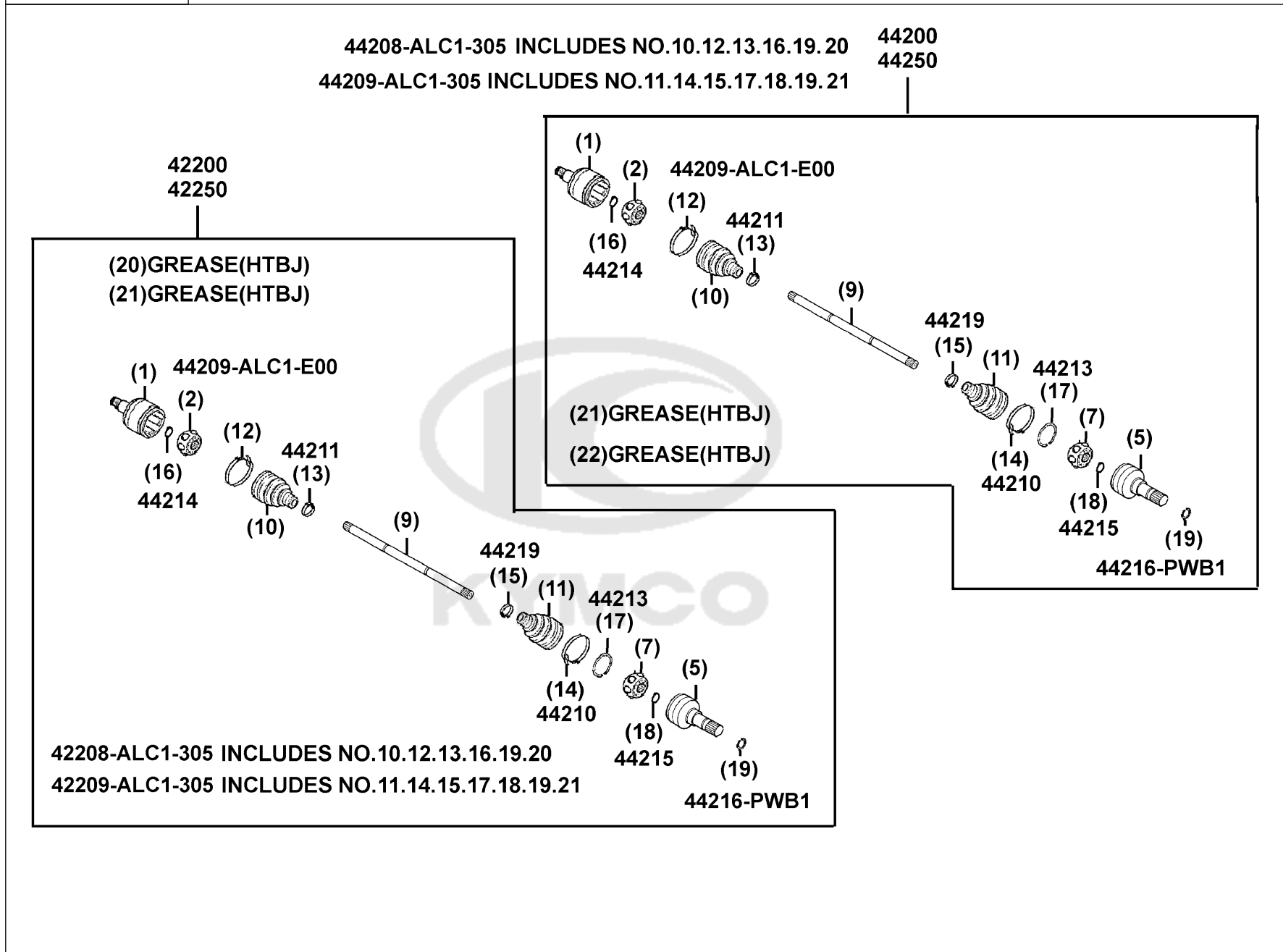
Sales mark	Ref no	Part no	Description	Reg description	Regd no	F26
	42451	42451-LFA5-900	PLUG OIL LEVEL	PLUG OIL LEVEL	1	
	42453	42453-LGC3-900	OIL SEAL 48*84*9	OIL SEAL 48*84*9	1	
	42460-LFA5	42460-LFA5-900	SHIM 41*49*1.0	SHIM 41*49*1.0	1	
	42460-LKC3	42460-LKC3-500	SPRING A E-LOCK	SPRING A E-LOCK	1	
	42461-LFA5	42461-LFA5-900	SHIM 41*49*1.1	SHIM 41*49*1.1	1	
	42461-LKC3	42461-LKC3-500	SPRING B E-LOCK	SPRING B E-LOCK	1	
	42462-LFA5	42462-LFA5-900	SHIM 41*49*1.2	SHIM 41*49*1.2	1	
	42462-LKC3	42462-LKC3-500	CAP E-LOCK	CAP E-LOCK	1	
	42463	42463-LFA5-900	SHIM 41*49*1.3	SHIM 41*49*1.3	1	
	42464	42464-LFA5-900	SHIM 41*49*1.4	SHIM 41*49*1.4	1	
	42465-LFA5	42465-LFA5-900	SHIM 41*49*1.5	SHIM 41*49*1.5	1	
	42465-LKC3	42465-LKC3-510	SHAFT SELECTOR	SHAFT SELECTOR	1	
	42466-LFA5	42466-LFA5-900	SHIM 41*49*1.6	SHIM 41*49*1.6	1	
	42466-LKC3	42466-LKC3-500	STAY..SELECTOR	STAY..SELECTOR	1	
	42467	42467-LFA5-900	SHIM 41*49*1.7	SHIM 41*49*1.7	1	
	42472	42472-LKC3-500	COVEFR LOCK ASSY	COVEFR LOCK ASSY	1	
	42488	42488-LEE8-E00	BEARING BALL	BEARING BALL	1	
	42494	42494-LEE8-E00	SHIM 61*69*1.3mm	SHIM 61*69*1.3mm	1	
	42495	42495-LEE8-E00	SHIM 61*69*1.4mm	SHIM 61*69*1.4mm	1	
	42496	42496-LEE8-E00	SHIM 61*69*1.5mm	SHIM 61*69*1.5mm	1	



Sales mark	Ref no	Part no	Description	Reg description	Regd no	F26
	42497	42497-LEE8-E00	SHIM 61*69*1.6mm	SHIM 61*69*1.6mm	1	
	42498	42498-LEE8-E00	SHIM 61*69*1.7 mm	SHIM 61*69*1.7 mm	1	
	9008A	9008A-LKC3-500	CAP ASSY E-LOCK	CAP ASSY E-LOCK	1	
	90110	90110-LFA5-900	BOLT SPECIAL 6X12	BOLT SPECIAL 6X12	3	
	94510-05000	94510-05000	CIR CLIP EX5	CIR CLIP EX5	3	
	94510-12000	94510-12000	CIR CLIP EXTERNAL 12	CIR CLIP EXTERNAL 12	1	
	95701	95701-08040-06	BOLT FLANGE 8x40 (G)	BOLT FLANGE 8x40 (G)	13	
	96100	96100-63050-00	BRG BALL RADIAL 6305	BRG BALL RADIAL 6305	1	
	96120	96120-60080-00	BEARING BALL 6008Z	BEARING BALL 6008Z	1	

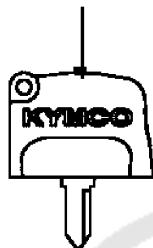


Separated Parts Of CVJ



Sales mark	Ref no	Part no	Description	Reg description	Regd no	F27
42200		42200-AEC8-E00	HALF SHAFT REAR-RH	HALF SHAFT REAR-RH	1	
42208-ALC1-305		42208-ALC1-305	WHEEL SIDE BOOT SERVICE KIT	WHEEL SIDE BOOT SERVICE KIT	1	
42209-ALC1-305		42209-ALC1-305	DIFF SIDE BOOT SERVICE KIT	DIFF SIDE BOOT SERVICE KIT	1	
42250		42250-AEC8-E00	HALF SHAFT REAR-LH	HALF SHAFT REAR-LH	1	
44200		44200-ALC1-E00	HALF SHAFT FRONT-RH	HALF SHAFT FRONT-RH	1	
44208-ALC1-305		44208-ALC1-305	WHEEL SIDE BOOT SERVICE KIT	WHEEL SIDE BOOT SERVICE KIT	1	
44209-ALC1-305		44209-ALC1-305	DIFF SIDE BOOT SERVICE KIT	DIFF SIDE BOOT SERVICE KIT	1	
44209-ALC1-E00		44209-ALC1-E00	BOOT BAND (L)	BOOT BAND (L)	2	
44210		44210-ALC1-E00	BOOT BAND (L)	BOOT BAND (L)	2	
44211		44211-ALC1-E00	BOOT BAND(S)	BOOT BAND(S)	2	
44213		44213-PWB1-900	CIRCLIP (DOJ MONTH)	CIRCLIP (DOJ MONTH)	2	
44214		44214-PWB1-900	CIRCLIP	CIRCLIP	2	
44215		44215-PWB1-900	SNAP RING	SNAP RING	2	
44216-PWB1		44216-PWB1-900	CIRCLIP (DOJ STEM)	CIRCLIP (DOJ STEM)	1	
44219		44219-ALC1-E00	BOOT BAND(S)	BOOT BAND(S)	2	
44250		44250-ALC1-E00	HALF SHAFT FRONT-LH	HALF SHAFT FRONT-LH	1	

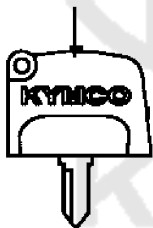
35111-LFA5-305-M2



35111-KUDU-305-M2



35111-LFA5-306-M2



35111-KUDU-306-M2



Sales mark	Ref no	Part no	Description	Reg description	Regd no	F28
------------	--------	---------	-------------	-----------------	---------	------------

	35111-KUDU-305	35111-KUDU-305-M2	KEY COMP (R TANGENT PLANE TJ)	KEY COMP (R TANGENT PLANE TJ)	1	
	35111-KUDU-306	35111-KUDU-306-M2	KEY COMP(L TANGENT PLANE TJ)	KEY COMP(L TANGENT PLANE TJ)	1	
	35111-LFA5-305	35111-LFA5-305-M2	KEY COMP (R TANGENT PLANE/TJ)	KEY COMP (R TANGENT PLANE/TJ)	1	
	35111-LFA5-306	35111-LFA5-306-M2	KEY COMP (L TANGENT PLANE/TJ)	KEY COMP (L TANGENT PLANE/TJ)	1	



PART NO. INDEX

PART NO.	VERSION	PAGE	PART NO.	VERSION	PAGE	PART NO.	VERSION	PAGE
11000			12000			14324-PWB1-900	2	E02
11105-LKM5-E00	0	E01	12100-LKM5-E00	9	E03	14401-LKM5-E00	0	E03
1110A-LKM5-305	0	E01	12191-LKM5-E00	1	E03	14401-LKM5-E0A	1	E03
1119A-LKM5-E00	0	E01	12205-KHE8-301	5	E02	14420-LKM5-E00	0	E02
11203-LDB5-E00	3	F14	12209-PUA5-E00	1	E02	14430-LKM5-E00	0	E02
11203-LKM5-E00	0	E01	1220A-LKM8-900	5	E02	14433-LKM5-E00	0	E02
11300-LKM5-E00	5	E01	12251-LKM8-E00	1	E03	14434-LKM5-E00	0	E02
11330-LKM5-E00	6	E04	12302-PTA1-900	1	E02	14452-LKM5-E00	0	E02
11340-LKM5-E00	0	E01	12311-AEC8-E00	0	F13	14510-LKM5-E00	3	E03
11344-LKM5-E00	1	F22	12361-GFY6-901	1	E01	14523-LKF5-E00	1	E03
11345-LKM5-E00	1	F22	1236A-LKM5-E00	0	E02	14531-KKJ9-001	0	E03
11346-LKM5-E00	0	F22				14550-LKF5-E00	0	E03
11394-LKM5-E00	0	E04	13000			14610-LKM5-E00	0	E03
11395-LKM5-E00	3	E01	1300A-LKM5-305	0	E03	14711-LKM5-E00	1	E02
11397-LKM5-E00	0	E01	13011-LKM5-E00	0	E03	14721-LKM5-E00	1	E02
11398-LKM5-E00	0	E01	13101-LKM5-E00	6	E03	14751-LEH6-E00	1	E02
11441-LKM5-E00	3	E05	13111-LKM5-E00	0	E03	14761-LEH6-E00	0	E02
11442-LDB5-900	3	E05	14000			14771-LKM5-E00	0	E02
11443-LDB5-900	2	E05				14777-LKM5-E00	0	E02
11495-LKM5-E00	1	E05	15000			14781-LKM5-E00	1	E02
11496-LKM5-E00	0	E01						
			14100-LKM5-E00	9	E02	15100-LDB5-E00	5	E06
			14321-LKM5-E00	4	E02	15119-LKM5-E00	1	E06
			14323-PWB1-900	1	E02	15133-LBA2-E00	2	E06

PART NO. INDEX

PART NO.	VERSION	PAGE	PART NO.	VERSION	PAGE	PART NO.	VERSION	PAGE
15138-LDB5-E00	4	E06				17620-ADG6-E00	0	F10
15141-LDB5-E00	1	E06	17000			17700-ALC1-E00	5	F05
15200-KED9-900	7	E01				17703-ALC1-600	0	F05
1541A-LBA2-E00	2	E01	1711A-LKM5-900	0	E02	17704-ALC1-600	0	F05
15421-1G07-001	1	E01	17200-ADC2-E00	1	F13	17720-LBA7-900	1	F05
15421-LBA2-E00	2	E01	17211-LKM5-E00	2	F13	17910-LDB5-E00	4	F03
15426-GAE1-921	0	E01	17214-LDB5-E00	2	F13			
15438-PWB1-900	2	E02	17239-ADC2-E00	0	F13	18000		
15520-LDB5-E00	1	E01	1723A-LKM5-E00	5	F13			
1565A-PWA1-900	1	E04	1723B-LKM5-E00	3	F13	18291-LKM5-E00	2	F14
15661-LBA7-900	1	E01	17246-LBA7-900	2	F13	1830A-AEC8-E00	1	F14
15711-LDB5-E00	1	E06	17254-LKM5-E00	0	F13	18310-AEC8-E00	3	F14
16000			17257-ALC1-E00	1	F13	18317-LKM5-E00	0	F14
			17265-LBA7-900	1	F13	18318-ALC1-E00	1	F14
			17292-PWB1-900	1	E01	18320-AEC8-E00	1	F14
16053-PTA1-800	2	E09	17500-LKA8-E00	3	F10	18325-LKM5-E00	0	F14
16054-PTA1-800	3	E09	17522-LLB1-900	1	F10	18326-LKM5-E00	0	F14
16059-LDB5-E00	4	E09	17524-LLB1-900	1	F10	18327-LKM5-E00	0	F14
16100-AEC8-E00	3	E09	17531-LGC7-E00	1	F10	18328-AEC8-E00	0	F14
16113-PTA1-800	4	E09	17550-ALC1-E00	4	F10	18328-LDB5-E00	4	F14
16118-LBF2-900	2	E09	17551-PTA1-800	3	F10	18371-LKM5-E00	2	F14
16134-LDB5-E00	3	E09	17556-PTA1-800	1	F10	18391-LKM5-E00	0	F14
16137-PTA1-800	2	E09	1755A-LKA8-E00	8	F10	18532-6D34-671	0	F13
1670A-LKA8-E00	2	F10	17561-LGE5-E00	1	F10	18601-AEC8-E00	0	F13
16911-LKM5-E00	0	F10	17561-LKB9-900	1	F10	18612-AEC8-E00	0	F13
			17564-LKA8-E00	0	F10	18613-LDB5-E00	2	F13

PART NO. INDEX

PART NO.	VERSION	PAGE	PART NO.	VERSION	PAGE	PART NO.	VERSION	PAGE
18645-LBA2-E00	1	F13	19317-LBA2-E00	1	E04	22128-LDB5-E00	0	E05
18647-AEC8-E00	0	F13	19318-LDB5-E00	2	E04	22131-LKM5-E00	0	E05
18658-AEC8-E00	2	F13	19421-LKM5-E00	1	E02	22132-LKM5-305	0	E05
18659-AEC8-E00	2	F13	19502-LKM5-E00	5	E04	22402-LDB5-E00	0	E05
18659-LKM5-E00	0	F13	19504-LBA2-E00	3	E04	2261A-LKM5-E00	5	E05
			19504-LBA2-E00	3	F13	22631-LKM5-E00	0	E05
19000			19504-LKM5-E00	2	E04	22641-LKM5-E00	0	E05
			19505-LBA2-E00	4	E04	2266A-LKM5-E00	0	E05
19005-LEE8-E0A	2	F22	19505-LBA2-E00	4	F22			
19010-LKM5-E00	0	F22	19505-LEA2-900	1	F14	23000		
19012-KHD8-900	4	F22	19505-LKM5-E00	3	F22			
19101-LFE9-E00	0	F22	19506-LKM5-E00	2	F22	23010-LKM5-E00	4	E05
19102-LKM5-E00	3	F22	19507-LDB5-E00	1	E04	23100-LDB5-E00	2	E05
19103-LKM5-E00	0	F22	19523-LDB5-E00	2	E04	23200-LDB5-E00	3	E05
19104-LDB5-E00	1	F22				23201-LDB5-E00	0	E05
19105-LDB5-E00	2	F22	21000			23211-LKM5-E00	0	E08
19111-GBE2-004	1	F22				23220-LDB5-E00	2	E05
19210-KKC4-900	0	F22	21124-LKM5-E00	0	E05	23225-LKM5-E00	2	E05
19217-ZPA3-E00	2	E04				23233-LDB5-E00	1	E05
19221-LKM5-E00	3	E04	22000			23237-LDB5-E00	1	E05
19229-LKM5-E00	0	E04				23238-LDB5-E00	1	E05
19230-LKM5-E00	5	E04	22102-LDB5-E00	3	E05	2341A-LKM5-E00	5	E07
19300-PTA1-900	1	E04	22105-LDB5-E00	3	E05	23421-LKM5-E00	1	E07
19310-LKM5-E00	0	E04	22110-LKM5-E00	0	E05	23431-LDB5-E00	5	E08
19315-LBA2-E00	2	E04	22121-LDB5-305	0	E05	23432-LKM5-E00	1	E08
19316-LKM5-E00	2	E04	22127-LDB5-E00	0	E05	23450-LDB5-E00	2	E07

PART NO. INDEX

PART NO.	VERSION	PAGE	PART NO.	VERSION	PAGE	PART NO.	VERSION	PAGE	
2345A-LDB5-E00	4	E08	24620-LKM5-E00	0	E07	30000			
23471-LDB5-E00	3	E07	24651-LKM5-E00	2	E07				
23473-LDB5-E00	2	E07	24700-LKM5-E00	0	F15				
23481-LDB5-E00	3	E07	24702-ALC1-E00	1	F15		3051A-LKM5-E00	3	F20
23500-LDB5-E00	2	E07	24703-LDB5-E00	5	F15		30700-PTA1-800	5	F20
23510-LDB5-900	2	E07	24704-LDB5-E00	2	F15				
23518-LKM5-E00	3	E08	24705-LKM5-E00	0	F15		31000		
23519-LKM5-E00	3	E08	24706-LDB5-E00	1	F15				
23610-LDB5-E00	1	E07	24707-LDB5-E00	7	F15		31110-LKM5-E00	2	E06
23611-LKM5-E00	0	E07	24710-LKM5-E00	0	F15		31120-LKM5-E00	3	E06
23612-LDB5-E00	3	E07	24711-LKM5-E00	0	F15		31210-LKM5-E0A	0	E06
23613-LDB5-E00	7	E07	24720-LEE8-E00	2	F15		31300-AAJ5-E00	0	F21
23614-LDB5-E00	6	E07	24720-LKM5-E00	0	F15		31350-LDB5-E0A	2	E01
2362A-LDB5-E00	1	E01	24721-LEE8-E00	1	F15	31500-LDB5-E0A	5	F11	
24000			24721-LKM5-E00	0	F15	31500-LDB5-E0B	5	F11	
			2478A-ALC1-E00	1	F15	31600-LKM5-E00	0	F20	
			28000			31601-LDB5-E00	4	F20	
24211-LKM5-E00	0	E07				31700-KEC8-E00	1	F20	
24221-ZVA6-M00	3	E07				3195A-LBA7-E00	1	F20	
24241-LKM5-E00	0	E07	28100-LKM5-E00	2	E06				
24242-LDB5-E00	4	E07	28103-LKM5-E00	0	E06	32000			
24251-LDB5-E00	4	E07	28110-LKA8-E00	2	E06				
24305-LDB5-E00	2	E07	28120-KKE5-E0A	0	E06	32100-AEF8-E00	0	F20	
2431A-LKM5-E00	0	E07	28210-LKM5-E00	0	E04	32101-LLB1-800	1	F20	
2450A-LKM5-E00	0	F15	28310-LDB5-E00	1	E04	32161-4D04-001	2	F03	
24610-LKM5-E00	5	E07				32410-LDB5-E00	2	E06	

PART NO. INDEX

PART NO.	VERSION	PAGE	PART NO.	VERSION	PAGE	PART NO.	VERSION	PAGE	
32411-ALC1-E00	0	F20	33741-ALC1-E00	0	F19	35340-LDB5-900	0	F04	
32412-LKM5-E00	0	E04	33749-ALC1-E00	0	F19	35350-KNBN-901	0	F04	
33000			33750-ALC1-E00	4	F19	35350-PWA2-900	1	F15	
			33751-ALC1-E00	0	F19	35357-LDB5-E00	3	F15	
			33752-ALC1-E00	0	F19	35380-LDF2-900	2	F20	
			33759-ALC1-E00	0	F19	35759-LKM5-E00	5	E01	
			33761-PUA6-MX0	0	F19	35850-LDB5-E00	1	F20	
33100-ALC1-E00	6	F01	33788-ALC1-E00	0	F19	36000			
33101-ALC1-E00	0	F01							
33106-ALC1-E00	0	F01							
33130-ALC1-305	0	F01							
33130-ALC1-E00	0	F01							
33131-ALC1-305	0	F01	34000			36000-AAJ5-E00	4	F20	
33150-ALC1-E00	6	F01	34300-KKE3-900	4	E09	37000			
33151-ALC1-E00	0	F01	34301-KKE3-900	2	E09				
33400-ALC1-E00	3	F18	34901-KFA6-900	0	F01				
33450-ALC1-E00	3	F18	34903-KPCP-900	0	F19		37119-ALC1-E00	0	F02
33501-ALC1-E00	0	F01					37200-AEF8-E00	0	F02
33502-ALC1-E00	0	F01	35000			37802-LGC3-E00	1	F10	
33700-ALC1-E00	4	F19				38000			
33701-ALC1-E00	0	F19	35010-ALC1-EV0	0	F20				
33702-ALC1-E00	0	F19	35100-ALC1-306	0	F20				
33706-GCN3-67A	0	F19	35111-KUDU-305-M2	0	F28		38110-LDB5-E00	1	F20
33709-KBAB-003	0	F19	35111-KUDU-306-M2	0	F28		38200-KHE7-900	0	F20
33720-LCA5-E00	2	F19	35111-LFA5-305-M2	0	F28	38300-KKE5-E00	2	F20	
33725-KHB4-E00	0	F19	35111-LFA5-306-M2	0	F28	38500-LGL3-90A	5	F20	
33726-LCA5-E00	0	F19	3515A-AED1-E00	2	F03	38501-LGL3-90A	4	F20	
33734-AEC9-E00	0	F19	3520A-LDB5-EV0	0	F03	38506-KHD8-900	0	F20	

PART NO. INDEX

PART NO.	VERSION	PAGE	PART NO.	VERSION	PAGE	PART NO.	VERSION	PAGE
3890A-AAJ5-E00	2	F21				42400-LKA8-500	9	F08
38910-LFE9-E02	1	F21	40000			42400-LKA8-500	9	F25
38911-LFE9-E02	4	F21				42402-LFA5-900	2	F25
38912-AAJ5-E00	1	F21	40210-LFE9-E00	6	E08	42402-LFA5-900	2	F26
38913-LFE9-E02	1	F21	40211-LCD9-E00	3	E08	42403-PWB1-900	1	F25
38914-AAJ5-E00	1	F21	40213-LCD9-E00	2	E08	42404-LFA5-900	2	F25
38916-LFE9-E02	2	F21	40215-LFE9-E00	0	E08	42404-LFA5-900	2	F26
38917-LFE9-E02	1	F21	40401-ALC1-E00	3	E08	42407-LFA5-900	1	F25
38918-LFE9-E02	0	F21	4040A-ALC1-E00	6	E08	42407-LFA5-900	1	F26
39000			4040A-LDB5-E00	6	E08	42408-LKC3-500	0	F25
			40412-LDB5-E00	3	E08	42409-LKC3-500	2	F25
			40413-ALC1-E00	7	E08	42409-LKC3-500	2	F26
39100-LBA7-E00	1	F20	40415-LDB5-E00	1	E08	42410-LFA5-900	3	F25
3920A-AEC8-E00	0	F20	40416-LDB5-E00	1	E08	42410-LFA5-900	3	F26
39300-LKC3-500	5	F25	40420-LFE9-E00	0	E08	42412-LFA5-900	1	F25
39300-LKC3-500	5	F26	40441-LFE9-E00	3	F17	42412-LFA5-900	1	F26
39300-LKM5-E00	0	E02	42000			42413-LKC3-500	2	F25
39302-KKE3-900	2	E02				42413-LKC3-500	2	F26
39305-LKM5-E00	3	E02				42414-LKC3-500	4	F25
39306-LEB2-305	0	E02	42200-AEC8-E00	0	F08	42414-LKC3-500	4	F26
39307-LEB2-305	0	E02	42200-AEC8-E00	0	F27	42415-ALC1-510	0	F26
39400-LEA6-800	2	E02	42208-ALC1-305	0	F27	42415-LKC3-500	1	F25
39430-AAJ5-E00	1	F20	42209-ALC1-305	0	F27	42416-LKC3-500	1	F25
39450-ZVA6-M00	0	F14	42250-AEC8-E00	0	F08	42416-LKC3-500	1	F26
39500-PTA1-800	1	E09	42250-AEC8-E00	0	F27	42419-LKC3-500	5	F25
39700-PTA1-800	1	E09	42400-ALC1-510	4	F26	42419-LKC3-500	5	F26

PART NO. INDEX

PART NO.	VERSION	PAGE	PART NO.	VERSION	PAGE	PART NO.	VERSION	PAGE
42422-LFA5-900	3	F25	42461-LKC3-500	1	F25	42478-LEE8-E00	0	F25
42423-LFA5-900	1	F25	42461-LKC3-500	1	F26	42480-LKC3-500	5	F25
42425-LKA8-500	7	F25	42462-LFA5-900	2	F25	42483-LEE8-E00	0	F25
42425-LKA8-500	7	F26	42462-LFA5-900	2	F26	42488-LEE8-E00	0	F25
42428-LKC3-500	1	F25	42462-LKC3-500	1	F25	42488-LEE8-E00	0	F26
42428-LKC3-500	1	F26	42462-LKC3-500	1	F26	42491-LEE8-E00	1	F25
42430-ALC1-510	0	F26	42463-LFA5-900	2	F25	42492-LKC3-500	3	F25
42430-LKC3-500	3	F25	42463-LFA5-900	2	F26	42494-LEE8-E00	0	F25
42432-LEE8-810	1	F25	42464-LFA5-900	2	F25	42494-LEE8-E00	0	F26
42432-LEE8-810	1	F26	42464-LFA5-900	2	F26	42495-LEE8-E00	0	F25
42442-LKC3-500	2	F25	42465-LFA5-900	2	F25	42495-LEE8-E00	0	F26
42442-LKC3-500	2	F26	42465-LFA5-900	2	F26	42496-LEE8-E00	0	F25
42448-ALC1-500	0	F26	42465-LKC3-500	2	F25	42496-LEE8-E00	0	F26
42448-LFA5-900	1	F25	42465-LKC3-510	2	F26	42497-LEE8-E00	0	F25
42449-ALC1-500	0	F26	42466-LFA5-900	2	F25	42497-LEE8-E00	0	F26
42451-LFA5-900	3	F25	42466-LFA5-900	2	F26	42498-LEE8-E00	0	F25
42451-LFA5-900	3	F26	42466-LKC3-500	3	F25	42498-LEE8-E00	0	F26
42453-LGC3-900	1	F25	42466-LKC3-500	3	F26	42650-ALD6-E00	2	F08
42453-LGC3-900	1	F26	42467-LFA5-900	2	F25	42710-ALD6-E00	1	F08
42456-LKM8-510	1	F25	42467-LFA5-900	2	F26	42750-LDB1-700	1	F09
42460-LFA5-900	2	F25	42472-LKC3-500	7	F25	42753-KNBN-90B	1	F07
42460-LFA5-900	2	F26	42472-LKC3-500	7	F26	42753-KNBN-90B	1	F08
42460-LKC3-500	1	F25	42473-LKC3-500	3	F25			
42460-LKC3-500	1	F26	42475-LEE8-E00	0	F25	43000		
42461-LFA5-900	2	F25	42476-LEE8-E00	0	F25			
42461-LFA5-900	2	F26	42477-LEE8-E00	2	F25	43100-LFA5-E00	3	F16

PART NO. INDEX

PART NO.	VERSION	PAGE	PART NO.	VERSION	PAGE	PART NO.	VERSION	PAGE
43110-LFA5-E00	0	F16				45105-LFA5-305	0	F16
43125-AAJ5-E00	0	F04	44000			45105-LFE9-305	0	F07
43126-AEC8-E00	0	F04				45105-PWB1-306	0	F08
43127-AEC8-E00	0	F04	44200-ALC1-E00	3	F07	45107-LEC1-E00	0	F16
43128-AEC8-E00	2	F04	44200-ALC1-E00	3	F27	45107-LFE9-E00	0	F07
43140-LEC1-E00	0	F16	44208-ALC1-305	0	F27	45107-PWB1-305	0	F08
43143-LEC1-E00	0	F16	44209-ALC1-305	0	F27	45109-LEC1-E00	0	F16
43146-LEC1-E00	0	F16	44209-ALC1-E00	0	F27	45109-LFA5-E00	0	F16
43147-LEC1-E00	0	F16	44210-ALC1-E00	0	F27	45110-LFE9-305	1	F07
43200-LFA5-E00	0	F16	44211-ALC1-E00	0	F27	45110-PWB1-305	0	F08
43210-LFA5-E00	0	F16	44213-PWB1-900	0	F27	45117-LEC1-E00	0	F16
43240-LFA5-E00	0	F16	44214-PWB1-900	0	F27	45121-PWB1-900	2	F07
43243-LFA5-E00	0	F16	44215-PWB1-900	0	F27	45121-PWB1-900	2	F08
43246-LFA5-E00	0	F16	44216-PWB1-900	0	F27	45124-AAJ5-E00	0	F04
43350-LFE9-E00	3	F17	44219-ALC1-E00	0	F27	45127-AEC8-E00	0	F04
43351-LEE8-E00	4	F17	44250-ALC1-E00	3	F07	45128-AAJ5-E00	2	F04
43352-KKD6-E90	1	F07	44250-ALC1-E00	3	F27	45130-ALC1-E00	0	F04
43353-4A61-77A	0	F07	44650-ALD6-E00	2	F07	45132-LBA7-900	1	F04
43450-AEC8-E00	3	F04	4470A-LFA5-E01	2	F07	45132-LDH1-E00	0	F07
43500-LFE9-E01	1	F15	4470A-LFA5-E01	2	F08	45133-LEC1-E00	0	F16
43514-4E45-77A	0	F15	44710-ALD6-E00	0	F07	45200-LFE9-E00	4	F07
43530-LFE9-306	0	F04				45200-PWB1-600	2	F08
43600-LDB5-E00	3	F04	45000			45203-LEC1-E00	0	F16
						45209-LFE9-E00	0	F07
			45100-LFE9-E00	4	F07	45230-PWB1-305	0	F08
			45100-PWB1-600	2	F08	45232-LEC1-E00	0	F16

PART NO. INDEX

PART NO.	VERSION	PAGE	PART NO.	VERSION	PAGE	PART NO.	VERSION	PAGE
45352-PWB1-305	0	F08	47216-LFE9-900	0	F15			
45513-KKC4-900	0	F04	47400-PWB1-900	4	F06	52000		
45517-1F66-007	0	F21	47410-ALD6-E00	0	F07			
45517-KFAF-910	0	F04	47410-ALD6-E00	0	F08	52101-AEC8-E00	0	F17
45517-PRB3-900	0	F04	47452-PWB1-900	2	F16	52103-ALC1-E00	0	F06
45520-KKC4-900	0	F04	47453-PWB1-900	2	F16	52103-PWB1-900	2	F16
45525-LBA7-900	0	F04	47500-PWB1-900	4	F06	52104-PWB1-900	2	F06
45526-LBA7-900	0	F04	47550-PWB1-E00	2	F16	52104-PWB1-900	2	F16
45527-LBA7-900	0	F04				52108-PWB1-900	3	F06
45530-LDB5-305	1	F04	50000			52108-PWB1-900	3	F16
45531-GAR1-951	0	F07				52144-PWB1-900	2	F06
45531-LEC1-E00	0	F16	50100-AEF8-E00	0	F21	52144-PWB1-900	2	F16
			50166-LLB1-900	3	F12	52400-LKM5-E00	0	F16
46000			50200-AAJ5-E00	0	F21			
			50218-LDB5-900	2	F21	53000		
46182-5L00-014	2	F15	50218-LKM5-E00	4	F21			
46500-LFE9-E00	1	F15	50227-LKA8-E00	1	F21	53100-ADG6-E00	0	F03
46501-LFE9-E00	0	F15	50612-LDB5-E00	4	F12	53102-ALC1-E00	0	F03
46502-LDB5-E00	2	F15	50614-ALC1-E00	0	F21	53104-PWB1-900	2	F03
46503-KCW3-001	0	F15	50615-ALC1-E00	0	F21	53105-PWB1-900	2	F03
46503-LDB5-E00	2	F15	50713-LDB5-E00	1	F15	53131-4K39-001	0	F03
46514-LDB5-E00	2	F15				53166-LGC7-E00	0	F03
			51000			53175-LDB5-305	0	F04
47000						53178-KEBE-900	0	F04
			51200-ALC1-Y00	0	F21	53190-ALC1-E00	0	F04
47215-KHD6-900	0	F15	51400-ALC1-E00	1	F06	53192-PRB3-900	0	F04

PART NO. INDEX

PART NO.	VERSION	PAGE	PART NO.	VERSION	PAGE	PART NO.	VERSION	PAGE
53193-PRB3-900	0	F04						
53194-PRB3-900	0	F04	54000			61000		
5319A-ALC1-E00	3	F04						
53200-AAJ5-E00	1	F06	54400-AEC8-E00	0	F16	61104-3G57-001	0	F10
53203-AAJ5-E00	0	F06	54450-ALC1-E01	3	F16	61200-ALC1-E00	0	F05
53205-ADG6-E00	1	F03	54500-AEC8-E00	0	F16	61300-ALC1-E00	0	F05
53206-ADG6-E00	0	F03	54550-ALC1-E01	3	F16	61344-LKM5-E00	0	F22
53207-ADG6-E00	0	F03	54600-LFE9-E00	1	F16	61345-ALC1-E00	0	F22
53208-ADG6-E00	0	F03	54601-LFE9-E00	1	F16	61346-LKM5-E00	1	F21
53251-LCA5-E00	1	F06	54602-LFE9-E00	1	F16			
53252-LBA7-900	4	F06	54610-LFE9-E00	1	F16	64000		
53254-LBA7-900	3	F06	54620-LFE9-E00	1	F16			
53260-AAJ5-E00	0	F06				64300-LFE9-E01	1	F05
53400-ALC1-E01	3	F06	60000			64301-ALC1-E00	0	F05
53410-PRB1-900	4	F06				64317-LKM5-E00	0	F22
53450-ALC1-E01	5	F06	60100-ALC1-600	0	F05	64318-LKM5-E00	0	F22
53500-ALC1-E01	3	F06	60101-ALC1-600	0	F05	64330-LFE9-E01	1	F06
53550-ALC1-E01	5	F06	60106-ALC1-600	0	F05	64340-LFE9-E01	1	F06
53600-KKAK-325	0	F20	60107-ALC1-600	0	F05			
53700-ALC1-E00	0	F06	60108-ALC1-E00	0	F05	75000		
53701-ALC1-E00	0	F06	60120-ALC1-E00	0	F05			
53702-ALC1-E00	0	F06	60130-LFE9-E01	0	F05	75581-6C73-001	0	F05
53702-LBA7-900	1	F15	60140-LFE9-E01	0	F05			
53703-ALC1-E00	0	F06	60150-ALC1-600	0	F05	77000		
53703-LBA7-900	1	F15	60160-ALC1-600	0	F05			
			60200-ALC1-E00	0	F05	77200-ADG6-E00	0	F09

PART NO. INDEX

PART NO.	VERSION	PAGE	PART NO.	VERSION	PAGE	PART NO.	VERSION	PAGE
77202-LEA7-900	0	F09	80110-LBA7-900	1	F12			
77205-2F86-001	1	F09	80110-LDB5-900	1	F05	83000		
77206-LBA7-900	1	F09	80110-LDB5-900	1	F12			
77210-ADG6-E00	0	F09	80115-LDB5-900	1	F05	83500-ALC1-M00	1	F12
77211-LKA8-Y00	1	F09	80115-LDB5-900	1	F12	83600-ALC1-M00	1	F12
77220-ADG6-E00	0	F09	80121-ALC1-E30	0	F12	83602-ALC1-E00	0	F12
77232-GLW0-318-M2	0	F05	80122-ALC1-E30	0	F12			
77235-LEA1-900	7	F09	80123-LKA8-Y00	0	F12	84000		
77240-ALC1-Y00	0	F09	80124-LKA8-Y00	0	F12			
77301-ALC1-E00	0	F09	80125-ALD6-E00	0	F12	84703-LLB1-900	1	F03
77303-LKA8-Y00	1	F09	80126-ALD6-E00	0	F12	84703-LLB1-900	1	F22
77304-LDB5-E00	0	F09	8013A-LFE9-E00	6	F12			
77305-LDB5-E00	1	F09	80200-ALC1-E00	5	F12	85000		
77330-AEC8-E00	1	F21	80210-ALC1-E00	1	F12			
77345-ALC1-E00	0	F05	80220-ALC1-E00	1	F12	85100-ALC1-E00	4	F21
77430-ALC1-E01	3	F21				85300-ALC1-E00	1	F21
80000			81000			86000		
			81150-LEA7-E00	6	F05			
80100-ALC1-600	2	F12	81200-ALC1-Y00	0	F21	86102-ALC1-E00	1	F24
80102-ALC1-E00	0	F12	81202-ALC1-Y00	0	F21	86182-ALC1-EVV	0	F23
80103-ALC1-E00	0	F12	81202-LDB5-E00	1	F21	86202-ADG6-E60	0	F24
80104-ALC1-E00	0	F12	81205-ALC1-Y00	0	F21	86302-ALC1-E00	0	F15
80105-ALC1-E00	0	F12						
80106-LKM5-E00	0	F12						
80107-LKM5-E00	0	F12						

PART NO. INDEX

PART NO.	VERSION	PAGE	PART NO.	VERSION	PAGE	PART NO.	VERSION	PAGE
87000			90000			90114-1F66-007	2	F04
87322-LBA7-E00	3	F23	90001-GBHB-661	3	E06	90114-1F66-007	2	F15
87505-ALD6-E01	0	F23	90001-GFY6-901	5	E01	90122-LKA8-E00	2	F17
87514-LFE9-E02	2	F23	90001-GFY6-901	5	E07	90131-LFA5-E00	1	F16
87515-LDB5-E01	2	F23	90004-LBA2-E00	3	E01	90131-PRB3-900	0	F07
87517-LDB5-E00	2	F23	90012-LKF5-E00	5	E02	90131-PRB3-900	0	F08
87519-AEC8-E00	1	F23	90032-LKM5-E00	1	E02	90133-LDB5-E00	1	E01
87529-LFE9-M30	1	F23	90033-KGB4-C00	2	E02	90145-LBA2-E00	2	F04
87532-LBE8-900	2	F24	90071-MLB0-001	0	E06	90145-LEA3-E00	1	F04
87532-LCA5-900	1	F24	90084-4H28-001	1	E04	90164-0H28-900	2	F20
87556-LDB5-E00	1	F23	90084-KKE5-E00	5	E02	90185-PWB1-900	2	F03
87556-LDB5-E01	2	F23	9008A-LKC3-500	1	F25	90201-KHR8-75A	1	E04
			9008A-LKC3-500	1	F26	90202-LDB5-E00	3	E05
88000			9008A-LKM5-E00	5	E04	90203-LDB5-E00	5	E05
			90106-PWB1-900	1	F07	90203-LDB5-E00	5	E08
88110-LDF3-E01	1	F03	90106-PWB1-900	1	F08	90205-LDB5-E00	4	E05
88120-LDF3-E01	1	F03	90110-LFA5-900	1	F25	90206-0A01-001	4	E02
			90110-LFA5-900	1	F26	90243-LDB5-E00	2	E01
89000			90110-PRB3-900	1	F03	90301-6C93-001	1	F21
			90110-PRB3-900	1	F05	90301-LDB5-E00	3	F07
89010-LFE9-E00	4	F09	90110-PRB3-900	1	F12	90301-LDB5-E00	3	F08
			90110-PWB1-900	1	F05	90302-GBR2-001	1	F05
			90110-PWB1-900	1	F12	90302-GBR2-001	1	F15
			90112-LBD4-800	1	F17	90302-GFY6-940	1	F10
						90302-GFY6-940	1	F19
						90302-LKB9-900	4	F03

PART NO. INDEX

PART NO.	VERSION	PAGE	PART NO.	VERSION	PAGE	PART NO.	VERSION	PAGE
90302-LLB1-E00	2	F03	90406-LDB5-E00	1	E05	90652-LCA4-E00	1	F05
90302-LLB1-E00	2	F12	90407-LBA2-E00	3	E01	90652-LDB5-900	3	F05
90302-LLB1-E00	2	F15	90407-LDB5-E00	0	E01	90652-LDB5-900	3	F12
90302-PWA1-900	2	F01	90408-LDB5-900	3	E05	90652-LDB5-900	3	F18
90302-PWA1-900	2	F05	90421-KAM1-004	0	F17	90652-LDB5-E00	3	F22
90302-PWA1-900	2	F12	90428-9H58-001	0	E04	90652-LDG7-900	1	F13
90304-GLW0-90A	1	F06	90433-KAE1-001	0	E07	90652-LKM5-E00	1	E02
90304-GLW0-90A	1	F16	90441-LDB5-E00	3	E01	90652-PWB1-900	1	F15
90304-GLW0-90A	1	F21	90443-LDB5-E00	2	E01	90653-LDB5-E00	3	F22
90305-KNBN-90B	0	F06	90451-LBA7-900	1	E08	90653-LKB9-900	1	F03
90306-KLF0-004-SY	1	E01	90451-LDB5-E00	1	E07	90653-LKM5-E00	0	F22
90311-LDB5-E00	1	E08	90452-KED9-900	2	E07	90654-LDB5-E00	2	F13
90312-LDB5-E00	1	E08	90452-LDB5-E00	1	E08	90655-PWA2-900	1	F05
90313-LDB5-E00	1	E08	90453-LKM5-E00	0	E06	90656-KCBC-900	0	F03
90314-LDB5-E00	1	E08	90454-1G07-001	0	E07	90656-KCBC-900	0	F18
90315-LDB5-E00	1	E08	90461-PWB1-900	3	E02	90658-PWA2-900	1	F05
90316-LDB5-E00	1	E08	90465-MDC4-001	0	E01	90677-GAR1-004	1	F05
90317-LDB5-E00	1	E08	90474-3C33-001	1	E01	90677-GAR1-004	1	F12
90318-LDB5-E00	1	E08	90478-7L00-001	0	E04	90683-GAR1-004	4	F21
90319-LDB5-E00	1	E08	90501-3L10-001	0	F15	90701-9E65-001	0	E01
90320-LDB5-E00	1	E08	90501-LKM5-E00	0	E05	90701-LDB5-E00	4	E03
90321-LDB5-E00	1	E08	9052A-LDB5-E00	2	E01	90750-LDB5-E00	3	E01
90322-LDB5-E00	1	E08	90545-3L00-001	2	F04	90914-LKM5-E00	1	F22
90401-KKJ9-001	0	E04	90561-PWB1-900	3	E02			
90402-LEA7-950	0	E07	90605-KED9-900	2	E07			
90405-LKM5-E00	3	E05	90651-LCA5-E00	1	F05			

PART NO. INDEX

PART NO.	VERSION	PAGE	PART NO.	VERSION	PAGE	PART NO.	VERSION	PAGE	
91000			91309-4E25-004	0	E06	93406-LLB1-900	0	F03	
			91313-KED9-900	3	E01	93500-05012-0F	0	E09	
			91351-LDB5-E00	1	E05	93600-04012-1G	0	F04	
	91001-KFBF-90A	2	E01	91508-KGV7-67A	0	F19	93600-LEC1-E00	0	F16
	91021-LDB5-E0A	0	E05	91509-LDB5-E00	6	E01	93600-PRB3-900	0	F04
	91106-LDB5-E00	1	E05				93890-LDB5-E00	0	F09
	91107-LDB5-E00	0	E08	92000			93891-04012-06	0	E09
	91201-LCD9-E00	2	E08				93891-04014-06	0	E09
	91202-KGB4-C00	1	E04	92101-05012-0G	0	E06	93891-04028-06	0	E09
	91206-LDB5-E00	0	E01	92101-06012-0HN	0	E02	93891-ALC1-E00	0	F01
	91211-LDB5-E00	1	E05	92900-PTA1-900	2	E03	93893-04012-17	0	F15
	91212-4B22-007	0	F15				93893-04012-18	0	F04
	91255-LDB5-E00	2	E01	93000			93894-04022-06	1	F20
	91256-LDB5-E00	2	E01				93895-ALC1-E00	0	F19
	91258-LDB5-900	2	E05	93401-04025-06	0	F20	93903-34360	0	F12
	91261-LDB5-E00	3	E01	93404-06012-06	0	F13	93903-35260	0	F02
	91301-KKE5-E00	0	E02	93404-06012-06	0	F15	93903-35260	0	F05
	91301-LKC3-500	1	F25	93404-06016-06	0	F05	93903-35360	0	F03
	91302-0A01-021	0	E01	93404-06016-06	0	F06	93903-35360	0	F05
	91302-LDB5-E00	2	E08	93404-06016-06	0	F12	93903-35360	0	F18
91302-LKM5-E00	0	E02	93404-06016-06	0	F22	93903-KEB7-900	1	F22	
91303-3G77-001	0	E04	93404-06020-06	1	F20				
91303-LKM5-E00	0	E02	93404-06025-06	0	F12	94000			
91304-LKM5-E00	4	E04	93404-KKC2-900	1	F12				
91305-GLE0-001	0	E01	93404-LKA8-Y00	1	F09	94001-08080-0S	0	F14	
91307-0E35-001	0	E04	93406-08016-06	0	F09	94001-08080-0S	0	F15	

PART NO. INDEX

PART NO.	VERSION	PAGE	PART NO.	VERSION	PAGE	PART NO.	VERSION	PAGE
94001-12080	0	F06	94050-LDE9-E00	1	F12	94301-08140	0	E06
94001-LBA7-900	1	F15	94101-06200	0	F14	94301-10120	0	F17
94001-LGC7-E00	0	F06	94101-06700	0	F14	94301-12200	1	E03
94011-LKA8-E00	1	F06	94101-06800	0	F12	94510-05000	0	F25
94011-PWB1-900	1	F07	94101-08600	0	F03	94510-05000	0	F26
94011-PWB1-900	1	F08	94101-10800	0	F17	94510-10000	0	E06
94030-PTA1-800	2	E09	94101-LBA2-E00	1	F14	94510-12000	0	F25
94050-05080	0	F19	94101-LKA8-Y00	0	F12	94510-12000	0	F26
94050-06060	0	F04	94102-14800	0	F15	94510-14000	0	E04
94050-06060	0	F15	94102-LDB5-E00	1	F15	94510-20000	0	E07
94050-06060	0	F20	94103-06800	0	E07	94510-PWB1-900	0	F06
94050-06080	0	E02	94103-06800	0	F15	94520-19000	2	E08
94050-06080	0	E04	94111-06800	0	E02	94520-47000	0	E04
94050-06080	0	E09	94111-06800	0	E09	94520-55000	0	F06
94050-06080	0	F09	94111-06800	0	F14	94520-55000	0	F16
94050-06080	0	F10	94111-08800	0	F15	94520-65000	1	E01
94050-06080	0	F12	94201-20120	0	F15	94540-07017	1	E05
94050-06080	0	F20	94201-25250	0	F06	94540-12028	0	E07
94050-06080	0	F21	94201-25300	0	F15	94591-KFBF-900	2	E04
94050-06080	0	F22	94201-30400	0	F07	94591-KFBF-900	2	F19
94050-08060	0	F06	94201-30400	0	F08	94601-LKM5-E00	1	E03
94050-08080	0	E03	94301-08060	0	F16			
94050-08080	0	F15	94301-08140	0	E01	95000		
94050-08080	0	F21	94301-08140	0	E02			
94050-10060	0	E02	94301-08140	0	E04	95002-02070	0	F22
94050-LDE9-E00	1	F05	94301-08140	0	E05	95002-02090	0	E08

PART NO. INDEX

PART NO.	VERSION	PAGE	PART NO.	VERSION	PAGE	PART NO.	VERSION	PAGE
95002-02100	0	F22	95701-08012-06	0	E01	95801-10085-06	1	F16
95002-02150	0	F13	95701-08016-06	0	F16	95801-10090-06	0	F21
95002-40950-08	0	E08	95701-08016-06	0	F21	95801-10095-06	0	F16
95002-70000	0	F22	95701-08020-06	1	F15	95801-10110-06	0	F21
95002-KED9-M30	1	F13	95701-08025-06	0	E02	95801-10120-06	0	F21
95002-KHE7-900	0	F22	95701-08025-06	0	F17	95801-10195-06	0	F21
95002-LHG8-E00	1	E01	95701-08025-06	0	F21	95802-PWB1-900	3	F06
95004-LBA7-900	0	F13	95701-08035-06	1	E01	95802-PWB1-900	3	F16
95005-PWB1-900	1	E08	95701-08035-06	1	E02			
95008-ALC1-E00	0	E08	95701-08035-06	1	F17	96000		
95012-KKA7-900	1	F11	95701-08040-06	0	F25			
95701-06008-06	1	F14	95701-08040-06	0	F26	96001-06010-02	0	E04
95701-06012-06	1	F04	95701-08085-06	0	E01	96001-06012-06	0	E01
95701-06012-06	1	F13	95701-KHC5-E00	3	F21	96001-06012-06	0	E06
95701-06012-06	1	F14	95701-KKA8-900	0	F21	96001-06012-06	0	F14
95701-06012-06	1	F20	95701-LDB5-E00	1	F15	96001-06014-06	0	E02
95701-06012-06	1	F22	95701-LEC1-E00	0	F16	96001-06016-06	0	E01
95701-06016-06	1	F15	95801-08028-06	0	F15	96001-06016-06	0	E02
95701-06016-06	1	F20	95801-08040-06	0	F06	96001-06018-06	0	E02
95701-06020-06	1	F21	95801-08060-06	0	F06	96001-06018-06	0	E05
95701-06022-06	1	F10	95801-10030-06	0	F06	96001-06020-06	0	E02
95701-06025-06	2	E01	95801-10040-06	0	F06	96001-06025-06	0	E01
95701-06025-08	0	F13	95801-10040-06	0	F14	96001-06025-06	0	E03
95701-06040-06	0	F04	95801-10040-06	0	F16	96001-06025-06	0	E04
95701-06040-08	0	F13	95801-10065-06	0	F16	96001-06025-06	0	E05
95701-06045-06	0	F20	95801-10085-06	1	F06	96001-06030-06	0	E01

PART NO. INDEX

PART NO.	VERSION	PAGE	PART NO.	VERSION	PAGE	PART NO.	VERSION	PAGE
96001-06030-06	0	E02	96104-LDB5-90A	1	E05			
96001-06032-06	0	E01	96104-LDB5-90B	1	E05			
96001-06032-06	0	E04	96105-LDB5-90C	0	E05			
96001-06032-06	0	E05	96106-LDB5-E00	1	E01			
96001-06032-06	0	E06	96107-LDB5-E00	1	E01			
96001-06035-06	0	E02	96120-60080-00	0	F25			
96001-06035-06	0	E06	96120-60080-00	0	F26			
96001-06040-06	0	E01	96151-PWB1-900	2	F06			
96001-06040-06	0	E04	96151-PWB1-900	2	F16			
96001-06040-06	0	E06	96211-08000	1	F15			
96001-06050-06	0	E01	96211-16000	2	E01			
96001-06080-06	1	E01	96600-08010-16	0	E01			
96001-06085-06	1	E01	96600-08015-16	0	E06			
96001-06090-06	2	E01	96600-08020-16	2	E01			
96001-06110-06	1	E01	96600-LDB5-E00	3	E01			
96001-06120-06	1	E02	96700-06020-06	0	F04			
96001-LKM5-E00	2	E02						
96100-62040-00	0	E01	98000					
96100-63030-00	0	E01						
96100-63040-00	1	E01	98059-57916-00	2	E02			
96100-63050-00	0	F25	98200-31000	1	F20			
96100-63050-00	0	F26	98200-31500	0	F20			
96100-63060-00	0	E01	98200-33000	0	F20			
96100-64050-00	1	E01						
96100-69060-00	1	E04						
96100-LBA2-E00	1	E01						