

# PARTS CATALOGUE



UXV

UBADBD(PL)

UXV 700i TURF



Release Date : 2018/06/25  
Print Date : 2019/03/13

## ABOUT THIS PARTS LIST

- This parts list is compiled all service parts for model UBADBD(PL).
- Any difference between color chart and motorcycle will be revised according to motorcycle.
- The Mark:
  1. Marking "\*\*\*" must add color code in the end before ordering parts.
  2. Marking "#" are parts with modification, Please find the details from e-Parts system.
- When modification or additions to this parts list are made a revised edition at an appropriate time.



# CONTENTS

● ABOUT THIS PARTS LIST .....	1
● COLOR CHART OF UBADBD(PL) .....	3
● CONTENTS-ENGINE GROUP .....	15
● CONTENTS-FRAME GROUP .....	17
● ENGINE PARTS LIST .....	20
● FRAME PARTS LIST .....	72
● PART NO. INDEX .....	166

NO	MODEL			COLOR CHART OF UBADBD(PL)			
	PHOTO NO			NO. 1	NO. 2	NO. 3	NO. 4
	BASIC COLOR			Deep Blue	Red	Deep Green	White
	CODE			Deep Blue	Red	Deep Green	White
	PARTS NAME	PARTS NO.	VERSION	PB246SA	RR338SA	GG345SA	NH195SA
1	COVER KYMCO	80104-AEG6-E00	0	HUP			
2	RIM COMP RR WHEEL	42705-LEE8-E00	2	MAS			
3	RIM COMP FR WHEEL	44705-LEE8-E00	4				
4	R PIPE COMP.. ROOF	77530-LEE8-E00	8				
5	CROSS PIPE COMP	77532-LEE8-E00	3				
6	REAR PIPE COMP ROOF	77533-LEE8-E00	8				
7	PIPE COMP FR BUMPER	85100-LEE8-E00	7				
8	COVER WIRE STAY	16059-LDB5-E00	4				
9	GRILLE RADIATOR	19102-LEE8-E00	1				
10	COVER BATTERY	50326-LEE8-E00	2				
11	PANEL SPLASH	60101-LKM8-900	4				
12	SIDE PANEL R FRONT	60320-LEE8-E01	1				
13	SIDE PANEL L FRONT	60330-LEE8-E01	1				
14	GUARD R BOOT	60350-LEE8-E01	1				
15	GUARD L BOOT	60360-LEE8-E01	1				
16	PANEL FRONT	60400-AGA5-M00	0				
17	LID GLOVE BOX	60410-LEE8-E01	1				
18	CAP FRONT PANEL	60420-LEE8-E01	1				
19	BOX LUGGAGE	60500-LKM8-900	0				
20	BOX ASSY LUGGAGE	6050A-LKM8-900	0				
21	CHAMBER L COVER	61345-LEE8-E00	3				
22	COVER UNDER	64300-LEE8-E01	1				
23	COVER FRONT BUMPER	64302-LEE8-E01	1				
24	GRILLE FRONT	64303-LKM8-900	0				
25	COVER R WINKER	64307-LEE8-E01	1				
DATE OF STARTING-SALES							
DATE OF END-SALES							

NO	MODEL			COLOR CHART OF UBADBD(PL)			
	PHOTO NO			NO. 5	NO. 6	NO. 7	NO. 8
	BASIC COLOR			Grayish	Black	Lime Green	Yellow Ochre
	CODE			Grayish	Black	Lime Green	Yellow Ochre
	PARTS NAME	PARTS NO.	VERSION	NH251SA	NH001SA	GG144SA	YR160SA
1	COVER KYMCO	80104-AEG6-E00	0	HUP			
2	RIM COMP RR WHEEL	42705-LEE8-E00	2	MAS			
3	RIM COMP FR WHEEL	44705-LEE8-E00	4				
4	R PIPE COMP.. ROOF	77530-LEE8-E00	8				
5	CROSS PIPE COMP	77532-LEE8-E00	3				
6	REAR PIPE COMP ROOF	77533-LEE8-E00	8				
7	PIPE COMP FR BUMPER	85100-LEE8-E00	7				
8	COVER WIRE STAY	16059-LDB5-E00	4				
9	GRILLE RADIATOR	19102-LEE8-E00	1				
10	COVER BATTERY	50326-LEE8-E00	2				
11	PANEL SPLASH	60101-LKM8-900	4				
12	SIDE PANEL R FRONT	60320-LEE8-E01	1				
13	SIDE PANEL L FRONT	60330-LEE8-E01	1				
14	GUARD R BOOT	60350-LEE8-E01	1				
15	GUARD L BOOT	60360-LEE8-E01	1				
16	PANEL FRONT	60400-AGA5-M00	0				
17	LID GLOVE BOX	60410-LEE8-E01	1				
18	CAP FRONT PANEL	60420-LEE8-E01	1				
19	BOX LUGGAGE	60500-LKM8-900	0				
20	BOX ASSY LUGGAGE	6050A-LKM8-900	0				
21	CHAMBER L COVER	61345-LEE8-E00	3				
22	COVER UNDER	64300-LEE8-E01	1				
23	COVER FRONT BUMPER	64302-LEE8-E01	1				
24	GRILLE FRONT	64303-LKM8-900	0				
25	COVER R WINKER	64307-LEE8-E01	1				
DATE OF STARTING-SALES							
DATE OF END-SALES							

NO	MODEL			COLOR CHART OF UBADBD(PL)			
	PHOTO NO			NO. 9			
	BASIC COLOR			Orange			
	CODE			Orange			
	PARTS NAME	PARTS NO.	VERSION	YR375SA			
1	COVER KYMCO	80104-AEG6-E00	0	HUP			
2	RIM COMP RR WHEEL	42705-LEE8-E00	2	MAS			
3	RIM COMP FR WHEEL	44705-LEE8-E00	4				
4	R PIPE COMP.. ROOF	77530-LEE8-E00	8				
5	CROSS PIPE COMP	77532-LEE8-E00	3				
6	REAR PIPE COMP ROOF	77533-LEE8-E00	8				
7	PIPE COMP FR BUMPER	85100-LEE8-E00	7				
8	COVER WIRE STAY	16059-LDB5-E00	4				
9	GRILLE RADIATOR	19102-LEE8-E00	1				
10	COVER BATTERY	50326-LEE8-E00	2				
11	PANEL SPLASH	60101-LKM8-900	4				
12	SIDE PANEL R FRONT	60320-LEE8-E01	1				
13	SIDE PANEL L FRONT	60330-LEE8-E01	1				
14	GUARD R BOOT	60350-LEE8-E01	1				
15	GUARD L BOOT	60360-LEE8-E01	1				
16	PANEL FRONT	60400-AGA5-M00	0				
17	LID GLOVE BOX	60410-LEE8-E01	1				
18	CAP FRONT PANEL	60420-LEE8-E01	1				
19	BOX LUGGAGE	60500-LKM8-900	0				
20	BOX ASSY LUGGAGE	6050A-LKM8-900	0				
21	CHAMBER L COVER	61345-LEE8-E00	3				
22	COVER UNDER	64300-LEE8-E01	1				
23	COVER FRONT BUMPER	64302-LEE8-E01	1				
24	GRILLE FRONT	64303-LKM8-900	0				
25	COVER R WINKER	64307-LEE8-E01	1				
DATE OF STARTING-SALES							
DATE OF END-SALES							

NO	MODEL			COLOR CHART OF UBADBD(PL)							
	PHOTO NO			NO. 1	NO. 2	NO. 3	NO. 4				
	BASIC COLOR			Deep Blue	Red	Deep Green	White				
	CODE			Deep Blue	Red	Deep Green	White				
	PARTS NAME	PARTS NO.	VERSION	PB246SA	RR338SA	GG345SA	NH195SA				
26	TRIM R FRONT	64307-LKM8-900	0	N1R							
27	COVER L WINKER	64308-LEE8-E01	1								
28	TRIM0 L FRONT	64308-LKM8-900	0								
29	SIDE PANEL R	64315-LEE8-E01	1								
30	PANEL ASSY R	6431A-LEE8-E01	1								
31	SIDE PANEL L	64325-LEE8-E01	1								
32	PANEL ASSY L	6432A-LEE8-E01	1								
33	COVER TUNNEL	64330-AGA5-M00	0								
34	HOLDER.DRINK	64342-LKC3-900	0								
35	COVER SHIFT LEVER	64348-LKM8-900	1								
36	COVER ASSY ARMREST	6434A-LKM8-900	0								
37	PANEL R SIDE	64350-LEE8-E01	1								
38	SUPPORT R SIDE	64355-LEE8-E01	1								
39	PANEL L SIDE	64360-LEE8-E01	1								
40	SUPPORT L SIDE PANEL	64365-LEE8-E01	1								
41	PROTECTOR FUEL	64370-LEE8-E01	1								
42	PROTECTOR SIDE	64380-LEE8-E01	1								
43	BOX LUGGAGE	64390-LEE8-E00	4								
44	BOX ASSY LUGGAGE	6439A-LEE8-E01	1								
45	GUARD ENGINE	64400-LEE8-E01	1								
46	GUARD BOOT	64500-LEE8-E01	1								
47	LID REAR STORAGE	80100-AAA6-900	2								
48	GUARD MUD	83620-LEE8-E01	1								
49	BAND HARNESS WIRE	90656-KUDU-900	0								
50	CALIPER ASSY RR	43100-LKM8-700	2					NJA			
DATE OF STARTING-SALES											
DATE OF END-SALES											

NO	MODEL			COLOR CHART OF UBADBD(PL)							
	PHOTO NO			NO. 5	NO. 6	NO. 7	NO. 8				
	BASIC COLOR			Grayish	Black	Lime Green	Yellow Ochre				
	CODE			Grayish	Black	Lime Green	Yellow Ochre				
	PARTS NAME	PARTS NO.	VERSION	NH251SA	NH001SA	GG144SA	YR160SA				
26	TRIM R FRONT	64307-LKM8-900	0	N1R							
27	COVER L WINKER	64308-LEE8-E01	1								
28	TRIM0 L FRONT	64308-LKM8-900	0								
29	SIDE PANEL R	64315-LEE8-E01	1								
30	PANEL ASSY R	6431A-LEE8-E01	1								
31	SIDE PANEL L	64325-LEE8-E01	1								
32	PANEL ASSY L	6432A-LEE8-E01	1								
33	COVER TUNNEL	64330-AGA5-M00	0								
34	HOLDER.DRINK	64342-LKC3-900	0								
35	COVER SHIFT LEVER	64348-LKM8-900	1								
36	COVER ASSY ARMREST	6434A-LKM8-900	0								
37	PANEL R SIDE	64350-LEE8-E01	1								
38	SUPPORT R SIDE	64355-LEE8-E01	1								
39	PANEL L SIDE	64360-LEE8-E01	1								
40	SUPPORT L SIDE PANEL	64365-LEE8-E01	1								
41	PROTECTOR FUEL	64370-LEE8-E01	1								
42	PROTECTOR SIDE	64380-LEE8-E01	1								
43	BOX LUGGAGE	64390-LEE8-E00	4								
44	BOX ASSY LUGGAGE	6439A-LEE8-E01	1								
45	GUARD ENGINE	64400-LEE8-E01	1								
46	GUARD BOOT	64500-LEE8-E01	1								
47	LID REAR STORAGE	80100-AAA6-900	2								
48	GUARD MUD	83620-LEE8-E01	1								
49	BAND HARNESS WIRE	90656-KUDU-900	0								
50	CALIPER ASSY RR	43100-LKM8-700	2					NJA			
DATE OF STARTING-SALES											
DATE OF END-SALES											



NO	MODEL			COLOR CHART OF UBADBD(PL)							
	PHOTO NO			NO. 9							
	BASIC COLOR			Orange							
	CODE			Orange							
	PARTS NAME	PARTS NO.	VERSION	YR375SA							
26	TRIM R FRONT	64307-LKM8-900	0	N1R							
27	COVER L WINKER	64308-LEE8-E01	1								
28	TRIM0 L FRONT	64308-LKM8-900	0								
29	SIDE PANEL R	64315-LEE8-E01	1								
30	PANEL ASSY R	6431A-LEE8-E01	1								
31	SIDE PANEL L	64325-LEE8-E01	1								
32	PANEL ASSY L	6432A-LEE8-E01	1								
33	COVER TUNNEL	64330-AGA5-M00	0								
34	HOLDER.DRINK	64342-LKC3-900	0								
35	COVER SHIFT LEVER	64348-LKM8-900	1								
36	COVER ASSY ARMREST	6434A-LKM8-900	0								
37	PANEL R SIDE	64350-LEE8-E01	1								
38	SUPPORT R SIDE	64355-LEE8-E01	1								
39	PANEL L SIDE	64360-LEE8-E01	1								
40	SUPPORT L SIDE PANEL	64365-LEE8-E01	1								
41	PROTECTOR FUEL	64370-LEE8-E01	1								
42	PROTECTOR SIDE	64380-LEE8-E01	1								
43	BOX LUGGAGE	64390-LEE8-E00	4								
44	BOX ASSY LUGGAGE	6439A-LEE8-E01	1								
45	GUARD ENGINE	64400-LEE8-E01	1								
46	GUARD BOOT	64500-LEE8-E01	1								
47	LID REAR STORAGE	80100-AAA6-900	2								
48	GUARD MUD	83620-LEE8-E01	1								
49	BAND HARNESS WIRE	90656-KUDU-900	0								
50	CALIPER ASSY RR	43100-LKM8-700	2					NJA			
DATE OF STARTING-SALES											
DATE OF END-SALES											

NO	MODEL			COLOR CHART OF UBADBD(PL)			
	PHOTO NO			NO. 1	NO. 2	NO. 3	NO. 4
	BASIC COLOR			Deep Blue	Red	Deep Green	White
	CODE			Deep Blue	Red	Deep Green	White
	PARTS NAME	PARTS NO.	VERSION	PB246SA	RR338SA	GG345SA	NH195SA
51	CALIPER ASSY FR R	45100-LEE8-E00	4	NJA			
52	CALIPER ASSY FR BRK-	45100-LFE9-E00	4				
53	CALIPER ASSY FR L	45200-LEE8-E00	4				
54	CALIPER ASSY FR BRK-	45200-LFE9-E00	4				
55	FENDER FRONT	60100-LKM8-900	1				
56	TOP COVER FRONT	60300-LKM8-900	1	CHR	E4R	GWR	HGR
57	PANEL R REAR FENDER	83500-LEE8-E00	4				
58	PANEL L REAR FENDER	83600-LEE8-E00	4				
59	SEAT ASSY R	77200-LEE8-E00	6				
60	HEADREST	77210-LEE8-900	1				
61	SINGLE SEAT ASSY	77220-LEE8-E00	4	T01			
62	SEAT ASSY L	77400-LEE8-E00	6				
63	STRIPE FR PANEL	86101-LKM8-M31	0				
64	EMB K-LOGO '50mm	86102-ALC1-E00	1				
65	EMB K-LOGO 28.5mm-	86102-LDB5-900	3				
66	SW LABEL	86182-AEG6-E00	0				
67	WARNING CARGO-	87033-LEE8-E00	1				
68	WARNING TOWING-ON	87040-LEE8-E01	2				
69	WARNING CANOPY	87321-LEE8-E00	1				
70	CAUTION SHIFT LABEL	87322-LKM8-E00	0				
71	WARNING CARGO-ON	87323-LEE8-E01	2				
72	LABEL TIRE	87505-LEE8-E00	1				
73	WARNING ENGAGE	87512-LEE8-E00	1				
74	DRIVE WARNING LIST	87515-LEE8-E01	1				
75	DRIVE WARNING LIST	87517-LEE8-E01	1				
DATE OF STARTING-SALES							
DATE OF END-SALES							

NO	MODEL			COLOR CHART OF UBADBD(PL)			
	PHOTO NO			NO. 5	NO. 6	NO. 7	NO. 8
	BASIC COLOR			Grayish	Black	Lime Green	Yellow Ochre
	CODE			Grayish	Black	Lime Green	Yellow Ochre
	PARTS NAME	PARTS NO.	VERSION	NH251SA	NH001SA	GG144SA	YR160SA
51	CALIPER ASSY FR R	45100-LEE8-E00	4	NJA			
52	CALIPER ASSY FR BRK-	45100-LFE9-E00	4				
53	CALIPER ASSY FR L	45200-LEE8-E00	4				
54	CALIPER ASSY FR BRK-	45200-LFE9-E00	4				
55	FENDER FRONT	60100-LKM8-900	1	HYR	N1R	Q2R	YSR
56	TOP COVER FRONT	60300-LKM8-900	1				
57	PANEL R REAR FENDER	83500-LEE8-E00	4				
58	PANEL L REAR FENDER	83600-LEE8-E00	4				
59	SEAT ASSY R	77200-LEE8-E00	6				
60	HEADREST	77210-LEE8-900	1	T01			
61	SINGLE SEAT ASSY	77220-LEE8-E00	4				
62	SEAT ASSY L	77400-LEE8-E00	6				
63	STRIPE FR PANEL	86101-LKM8-M31	0				
64	EMB K-LOGO '50mm	86102-ALC1-E00	1				
65	EMB K-LOGO 28.5mm-	86102-LDB5-900	3				
66	SW LABEL	86182-AEG6-E00	0				
67	WARNING CARGO-	87033-LEE8-E00	1				
68	WARNING TOWING-ON	87040-LEE8-E01	2				
69	WARNING CANOPY	87321-LEE8-E00	1				
70	CAUTION SHIFT LABEL	87322-LKM8-E00	0				
71	WARNING CARGO-ON	87323-LEE8-E01	2				
72	LABEL TIRE	87505-LEE8-E00	1				
73	WARNING ENGAGE	87512-LEE8-E00	1				
74	DRIVE WARNING LIST	87515-LEE8-E01	1				
75	DRIVE WARNING LIST	87517-LEE8-E01	1				
DATE OF STARTING-SALES							
DATE OF END-SALES							

NO	MODEL			COLOR CHART OF UBADBD(PL)			
	PHOTO NO			NO. 9			
	BASIC COLOR			Orange			
	CODE			Orange			
	PARTS NAME	PARTS NO.	VERSION	YR375SA			
51	CALIPER ASSY FR R	45100-LEE8-E00	4	NJA			
52	CALIPER ASSY FR BRK-	45100-LFE9-E00	4				
53	CALIPER ASSY FR L	45200-LEE8-E00	4				
54	CALIPER ASSY FR BRK-	45200-LFE9-E00	4				
55	FENDER FRONT	60100-LKM8-900	1	YUR			
56	TOP COVER FRONT	60300-LKM8-900	1				
57	PANEL R REAR FENDER	83500-LEE8-E00	4				
58	PANEL L REAR FENDER	83600-LEE8-E00	4				
59	SEAT ASSY R	77200-LEE8-E00	6	T01			
60	HEADREST	77210-LEE8-900	1				
61	SINGLE SEAT ASSY	77220-LEE8-E00	4				
62	SEAT ASSY L	77400-LEE8-E00	6				
63	STRIPE FR PANEL	86101-LKM8-M31	0				
64	EMB K-LOGO '50mm	86102-ALC1-E00	1				
65	EMB K-LOGO 28.5mm-	86102-LDB5-900	3				
66	SW LABEL	86182-AEG6-E00	0				
67	WARNING CARGO-	87033-LEE8-E00	1				
68	WARNING TOWING-ON	87040-LEE8-E01	2				
69	WARNING CANOPY	87321-LEE8-E00	1				
70	CAUTION SHIFT LABEL	87322-LKM8-E00	0				
71	WARNING CARGO-ON	87323-LEE8-E01	2				
72	LABEL TIRE	87505-LEE8-E00	1				
73	WARNING ENGAGE	87512-LEE8-E00	1				
74	DRIVE WARNING LIST	87515-LEE8-E01	1				
75	DRIVE WARNING LIST	87517-LEE8-E01	1				
DATE OF STARTING-SALES							
DATE OF END-SALES							

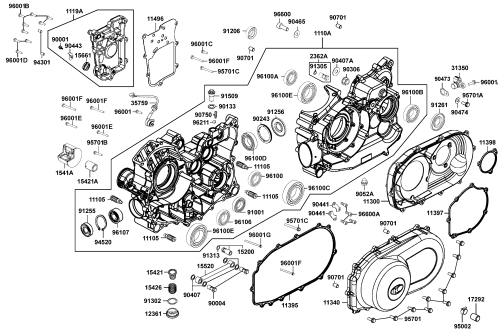
NO	MODEL			COLOR CHART OF UBADBD(PL)			
	PHOTO NO			NO. 1	NO. 2	NO. 3	NO. 4
	BASIC COLOR			Deep Blue	Red	Deep Green	White
	CODE			Deep Blue	Red	Deep Green	White
	PARTS NAME	PARTS NO.	VERSION	PB246SA	RR338SA	GG345SA	NH195SA
76	STRIPE 4*4	86303-LFA5-M30	1	T01	T02	T03	
DATE OF STARTING-SALES							
DATE OF END-SALES							

NO	MODEL			COLOR CHART OF UBADBD(PL)			
	PHOTO NO			NO. 5	NO. 6	NO. 7	NO. 8
	BASIC COLOR			Grayish	Black	Lime Green	Yellow Ochre
	CODE			Grayish	Black	Lime Green	Yellow Ochre
	PARTS NAME	PARTS NO.	VERSION	NH251SA	NH001SA	GG144SA	YR160SA
76	STRIPE 4*4	86303-LFA5-M30	1	T02		T01	
DATE OF STARTING-SALES							
DATE OF END-SALES							

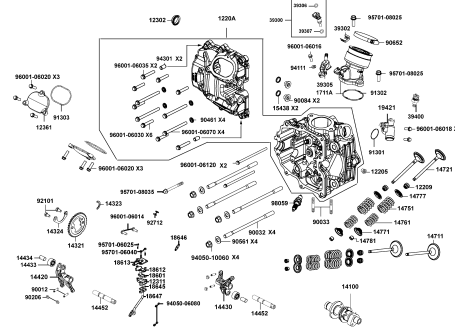
NO	MODEL			COLOR CHART OF UBADBD(PL)			
	PHOTO NO			NO. 9			
	BASIC COLOR			Orange			
	CODE			Orange			
	PARTS NAME	PARTS NO.	VERSION	YR375SA			
76	STRIPE 4*4	86303-LFA5-M30	1	T01			
DATE OF STARTING-SALES							
DATE OF END-SALES							

# CONTENTS - ENGINE GROUP

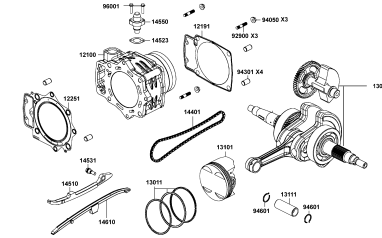
## E01 Crank Case



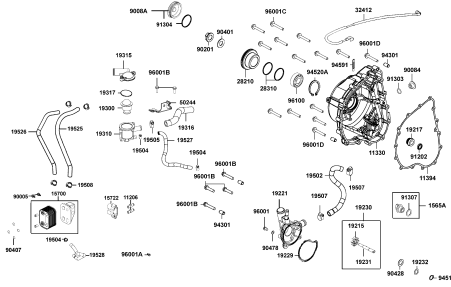
## E02 Cylinder Head Cover Cylinder



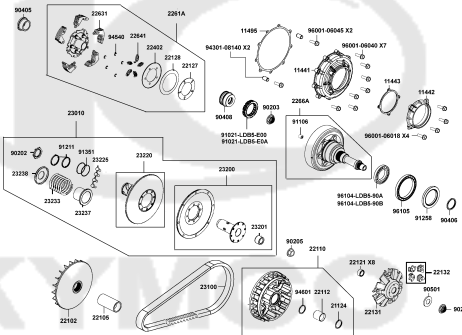
## E03 Cylinder Piston Crankshaft



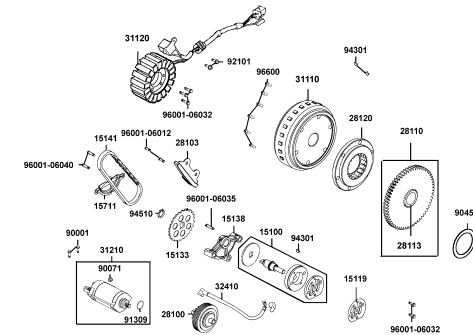
## E04 Right Crankcase Cover Water



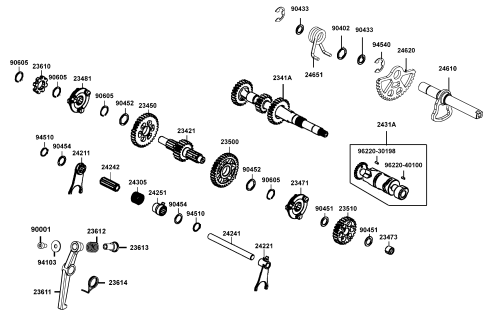
## E05 Drive Pulley



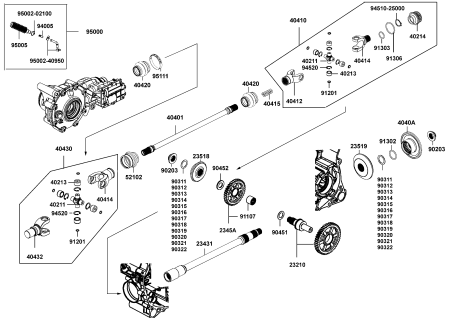
## E06 Starting Motor Generator



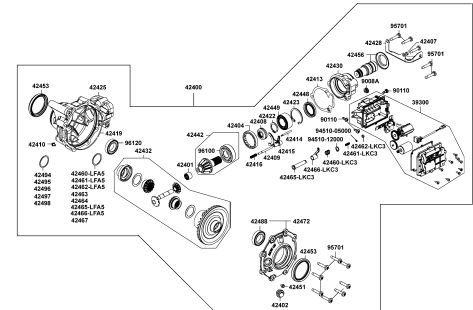
## E07 Shaft Assy Drive Spindle Assy



## E08 Universal Joint Assy Eng



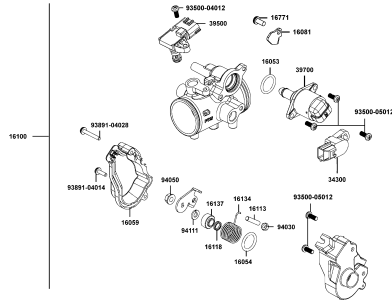
## E09 Gearcase Fr Assy





# CONTENTS - ENGINE GROUP

## E10 THROTTLE BODY, ASSY.

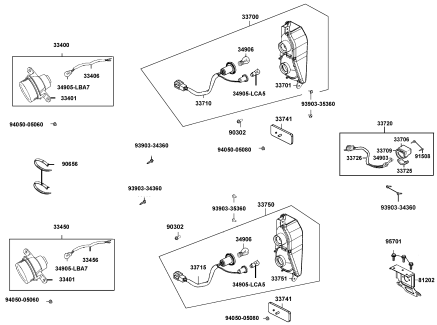




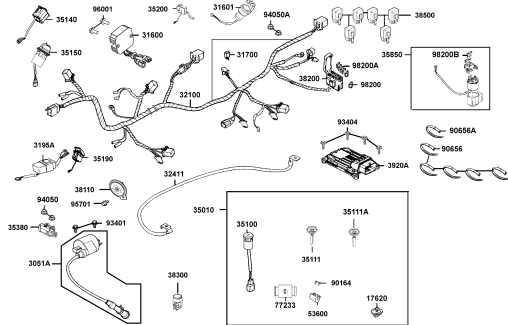


# CONTENTS - FRAME GROUP

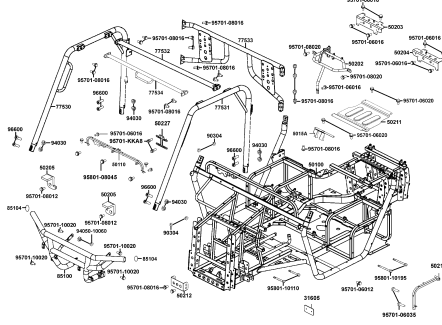
**F19** Light TailWinker Assy Fr



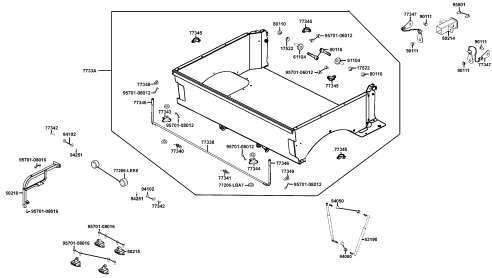
**F20** Harness Wire



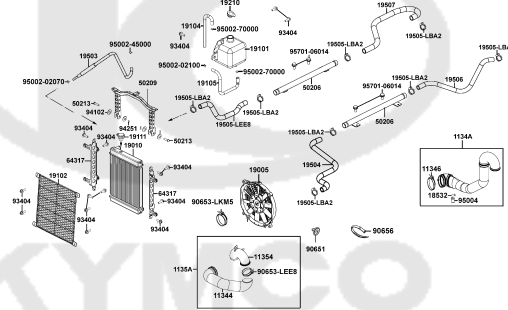
**F21** Frame Body



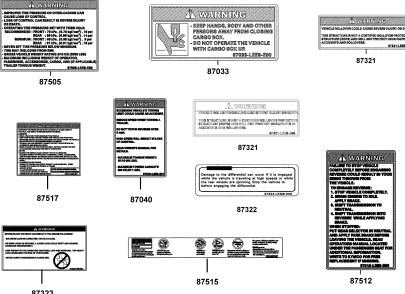
**F22** Carrier Luggage



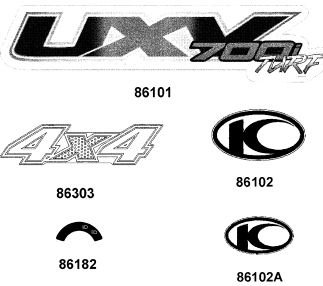
**F23** Radiator



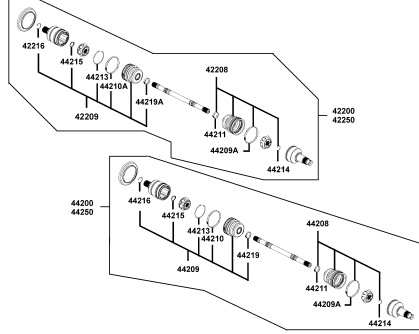
**F24** Caution Label



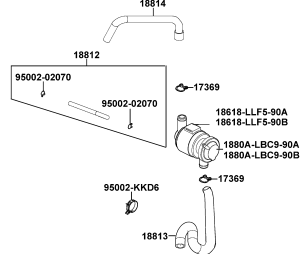
**F25** Emblem Stripe



**F26** Separated Parts Of Halfshaft

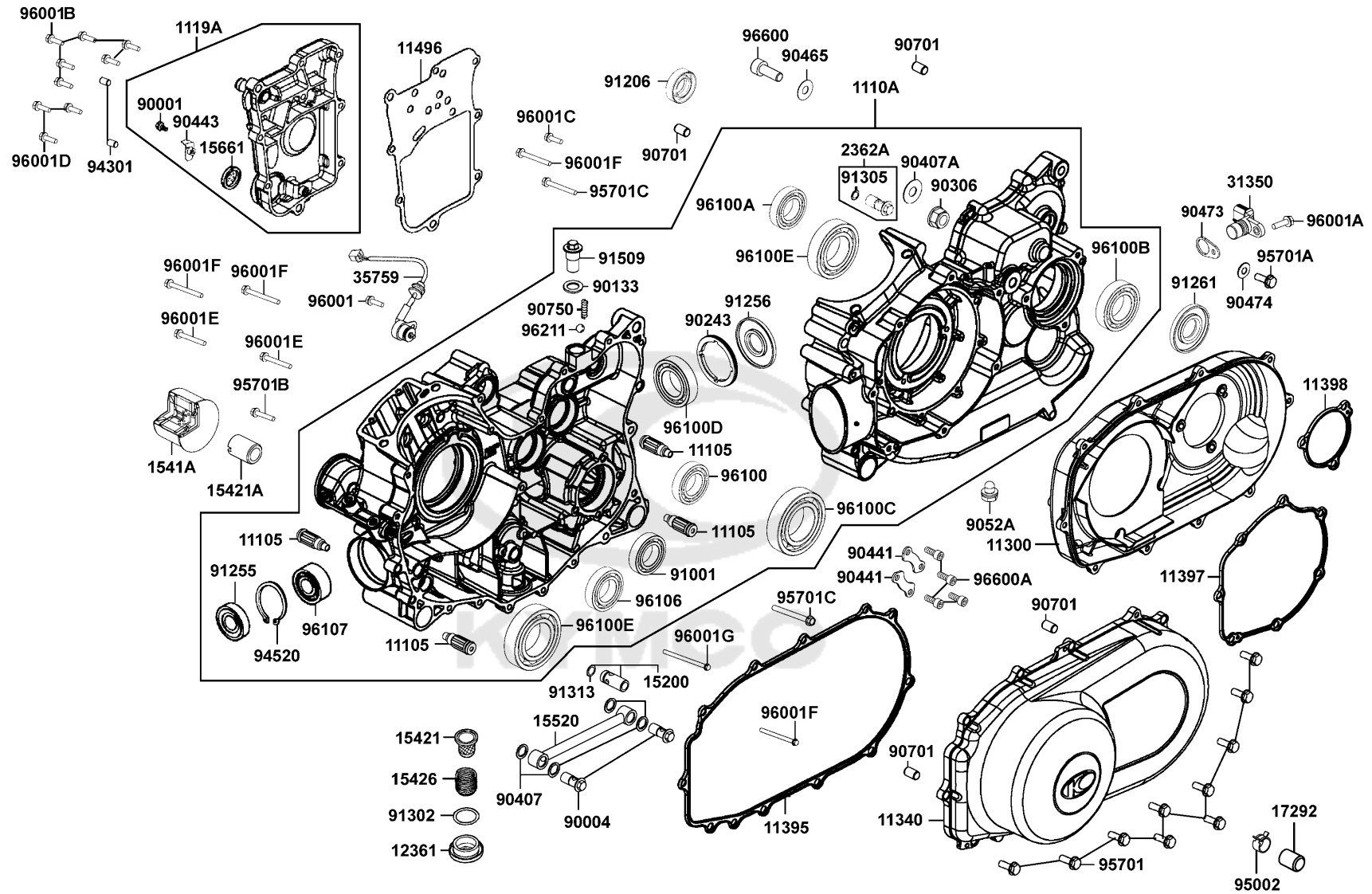


**F27** Aicv



E01

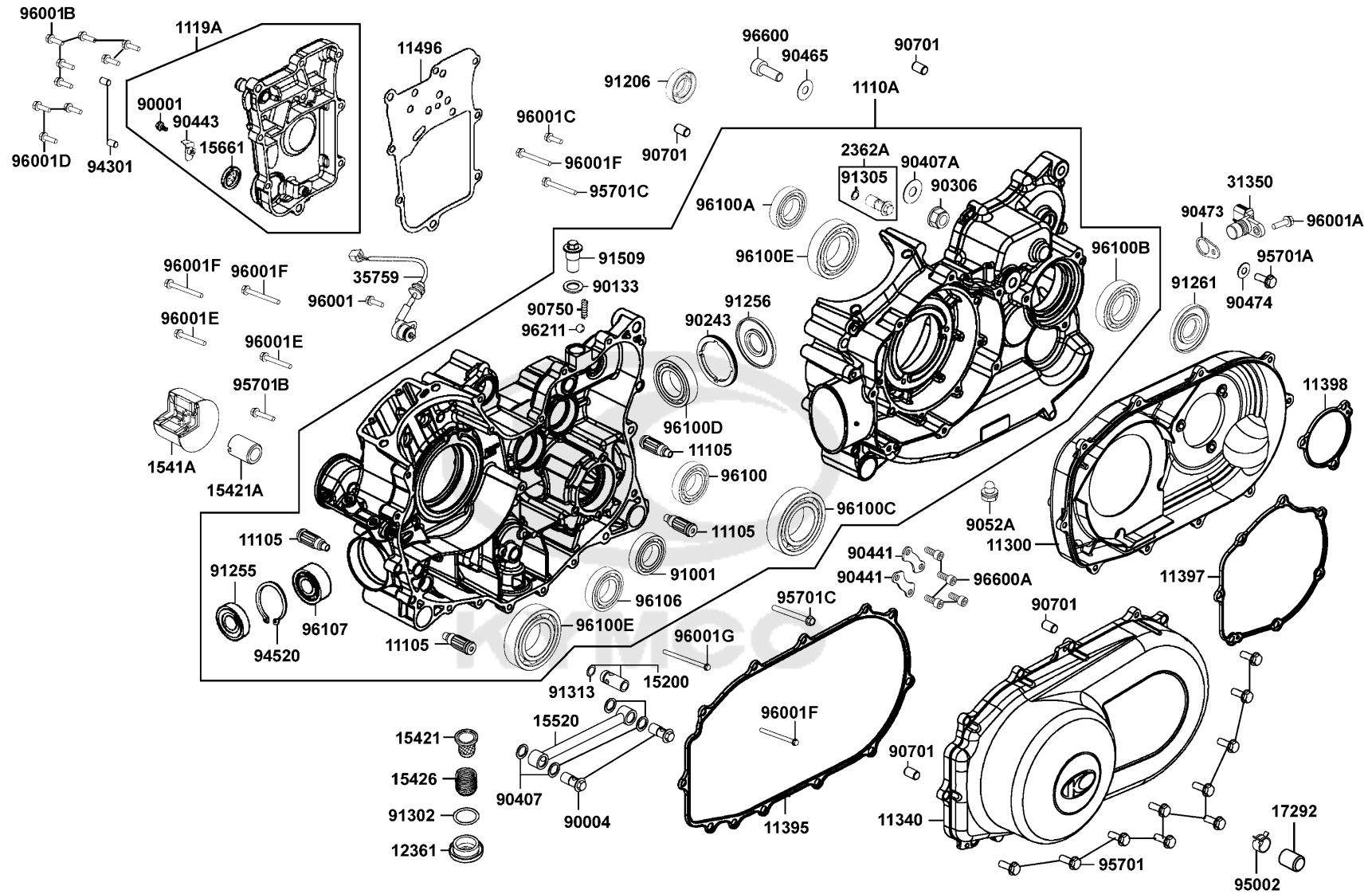
# Crank Case



Sales mark	Ref no	Part no	Description	Reg description	Regd no	E01
	11105	11105-LKM5-E00	LONG RUB BUSH ENG HANGER	LONG RUB BUSH ENG HANGER	4	
	1110A	1110A-LKM8-305	CASE R/L ASSY	CASE R/L ASSY	1	
	1119A	1119A-LKM5-E00	CASE ASSY R CASE	CASE ASSY R CASE	1	
	11300	11300-LKM5-E00	COVER L SIDE	COVER L SIDE	1	
	11340	11340-LKM5-E00	COVER COMP L CRANK CASE	COVER COMP L CRANK CASE	1	
	11395	11395-LKM5-E00	GASKET L COVER @A	GASKET L COVER @A	1	
	11397	11397-LKM5-E00	GSAKET CVT CASE FRONT	GSAKET CVT CASE FRONT	1	
	11398	11398-LKM5-E00	GASKET CVT CASE REAR	GASKET CVT CASE REAR	1	
	11496	11496-LKM5-E00	GASKET R CASE CAP	GASKET R CASE CAP	1	
	12361	12361-GFY6-901	HOLE CAP TAPPET ADJUSTING	HOLE CAP TAPPET ADJUSTING	1	
	15200	15200-KED9-900	OIL RELIEF VALVE ASSY	OIL RELIEF VALVE ASSY	1	
	1541A	1541A-LBA2-E00	ELEMENT COMP OIL FILTER	ELEMENT COMP OIL FILTER	1	
	15421	15421-1G07-001	SCREEN OIL FILTER	SCREEN OIL FILTER	1	
	15421A	15421-LBA2-E00	BOLT OIL FILTER	BOLT OIL FILTER	1	
	15426	15426-GAE1-921	SPG OIL FILTER SCREEN	SPG OIL FILTER SCREEN	1	
	15520	15520-LDB5-E00	PIPE COMP OIL	PIPE COMP OIL	1	
	15661	15661-LBA7-900	FINDER OIL LEVEL	FINDER OIL LEVEL	1	
	17292	17292-PWB1-900	PIPE DRAIN	PIPE DRAIN	1	
	2362A	2362A-LDB5-E00	BOLT ASSY PARK	BOLT ASSY PARK	1	
	31350	31350-LDB5-E0A	SENSOR SPEED	SENSOR SPEED	1	

E01

# Crank Case

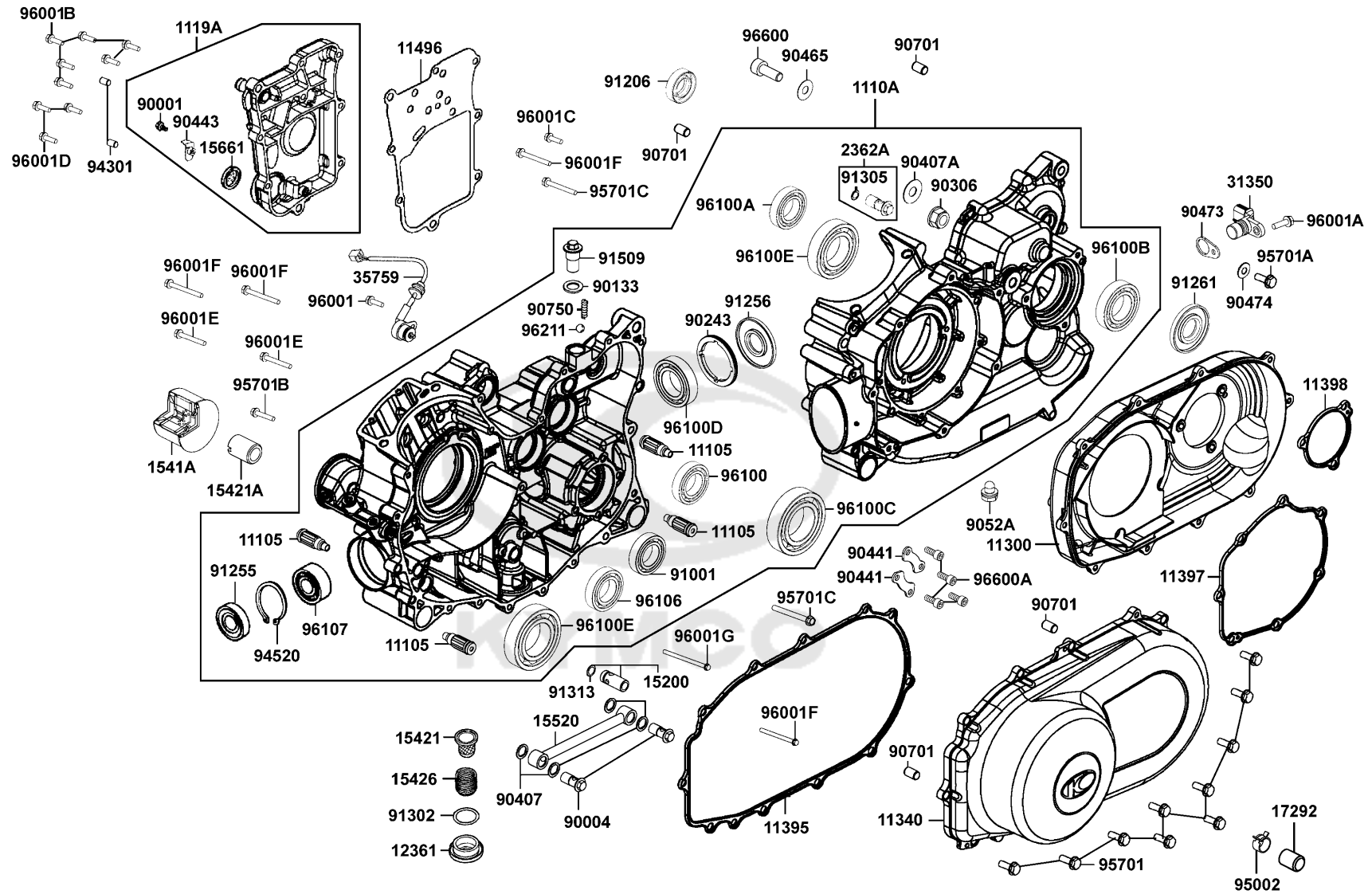


Sales mark	Ref no	Part no	Description	Reg description	Regd no	<b>E01</b>
	35759	35759-LKM5-E00	SW ASSY GEAR CHANGE	SW ASS'Y GEAR CHANGE	1	
	90001	90001-GFY6-901	SOCKET BOLT 6*10 (B)	SOCKET BOLT 6*10 (B)	1	
	90004	90004-LBA2-E00	BOLT B OIL PASS	BOLT B OIL PASS	2	
	90133	90133-LDB5-E00	WASHER BOLT SEAT	WASHER BOLT SEAT	1	
	90243	90243-LDB5-E00	NUT LOCK 85MM	NUT LOCK 85MM	1	
	90306	90306-KLF0-004-SY	NUT FLANGE 12MM	NUT FLANGE 12MM	1	
	90407	90407-LBA2-E00	SEALING WASHER OIL PIPE	SEALING WASHER OIL PIPE	4	
	90407A	90407-LDB5-E00	WASHER THRUST 12*30*1	WASHER THRUST 12*30*1	1	
	90441	90441-LDB5-E00	PLATE BRG HOLD	PLATE BRG HOLD	2	
	90443	90443-LDB5-E00	PLATE FINDER HOLD	PLATE FINDER HOLD	1	
	90465	90465-MDC4-001	WASHER 8MM	WASHER 8MM	1	
	90473	90473-LEE8-E00	WASHER SPEED SENSOR	WASHER SPEED SENSOR	2	
	90474	90474-3C33-001	WASHER 8MM	WASHER 8MM	1	
	9052A	9052A-LDB5-E00	BOLT ASSY DRAIN PLUG	BOLT ASSY DRAIN PLUG	1	
	90701	90701-9E65-001	PIN DOWEL 10*16	PIN DOWEL 10*16	2	
	90750	90750-LDB5-E00	SPG STOPPER	SPG STOPPER	1	
	91001	91001-KFBF-90A	BEARING BALL RADIAL 6305	BEARING BALL RADIAL 6305	1	
	91206	91206-LDB5-E00	OIL SEAL 14*24*7	OIL SEAL 14*24*7	1	
	91255	91255-LDB5-E00	OIL SEAL 35*67*7	OIL SEAL 35*67*7	1	
	91256	91256-LDB5-E00	OIL SEAL 35*90*7	OIL SEAL 35*90*7	1	



E01

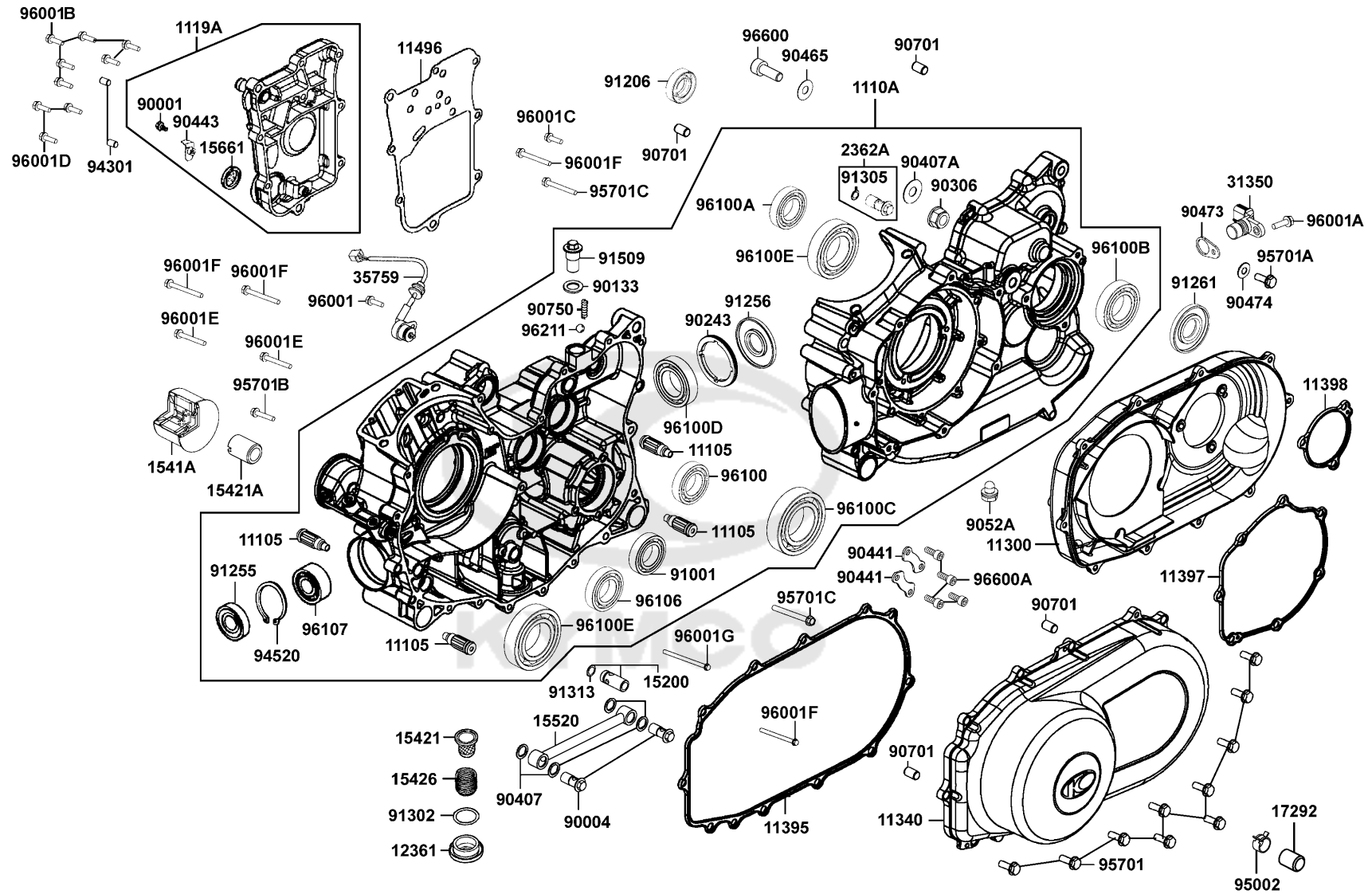
# Crank Case



Sales mark	Ref no	Part no	Description	Reg description	Regd no	E01
	91261	91261-LDB5-E00	OIL SEAL 30X72X7	OIL SEAL 30X72X7	1	
	91302	91302-0A01-021	O-RING 30.8M/M	O-RING 30.8M/M	1	
	91305	91305-GLE0-001	O-RING 9*1.7	O-RING 9*1.7	1	
	91313	91313-KED9-900	O-RING 15.5*1.5	O-RING 15.5*1.5	1	
	91509	91509-LDB5-E00	BOLT STOPPER	BOLT STOPPER	1	
	94301	94301-08140	DOWEL PIN 8*14	DOWEL PIN 8*14	2	
	94520	94520-65000	CIR CLIP IN 65	CIR CLIP IN 65	1	
	95002	95002-LHG8-E00	CLAMP.D14 TUBE	CLAMP.D14 TUBE	1	
	95701	95701-06025-06	BOLT FLANGE 6*25	BOLT FLANGE 6*25	20	
	95701A	95701-08012-06	BOLT FLANGE 8*12	BOLT FLANGE 8*12	1	
	95701B	95701-08035-06	BOLT FLANGE 8*28	BOLT FLANGE 8*28	1	
	95701C	95701-08085-06	BOLT FLANGE 8X85	BOLT FLANGE 8X85	2	
	96001	96001-06012-06	BOLT FLANGE SH 6*12	BOLT FLANGE SH 6*12	1	
	96001A	96001-06020-06	BOLT FLANGE SH 6*20	BOLT FLANGE SH 6*20	1	
	96001B	96001-06025-06	BOLT FLANGE SH 6*25	BOLT FLANGE SH 6*25	6	
	96001C	96001-06030-06	BOLT FLANGE SH 6X30	BOLT FLANGE SH 6X30	10	
	96001D	96001-06032-06	BOLT FLANGE 6*32	BOLT FLANGE 6*32	3	
	96001E	96001-06040-06	BOLT FLANGE SH 6*40	BOLT FLANGE SH 6*40	3	
	96001F	96001-06080-06	BOLT FLANGE SH 6X80	BOLT FLANGE SH 6X80	4	
	96001G	96001-06100-06	BOLT FLANGE SH 6*100	BOLT FLANGE SH 6*100	1	

E01

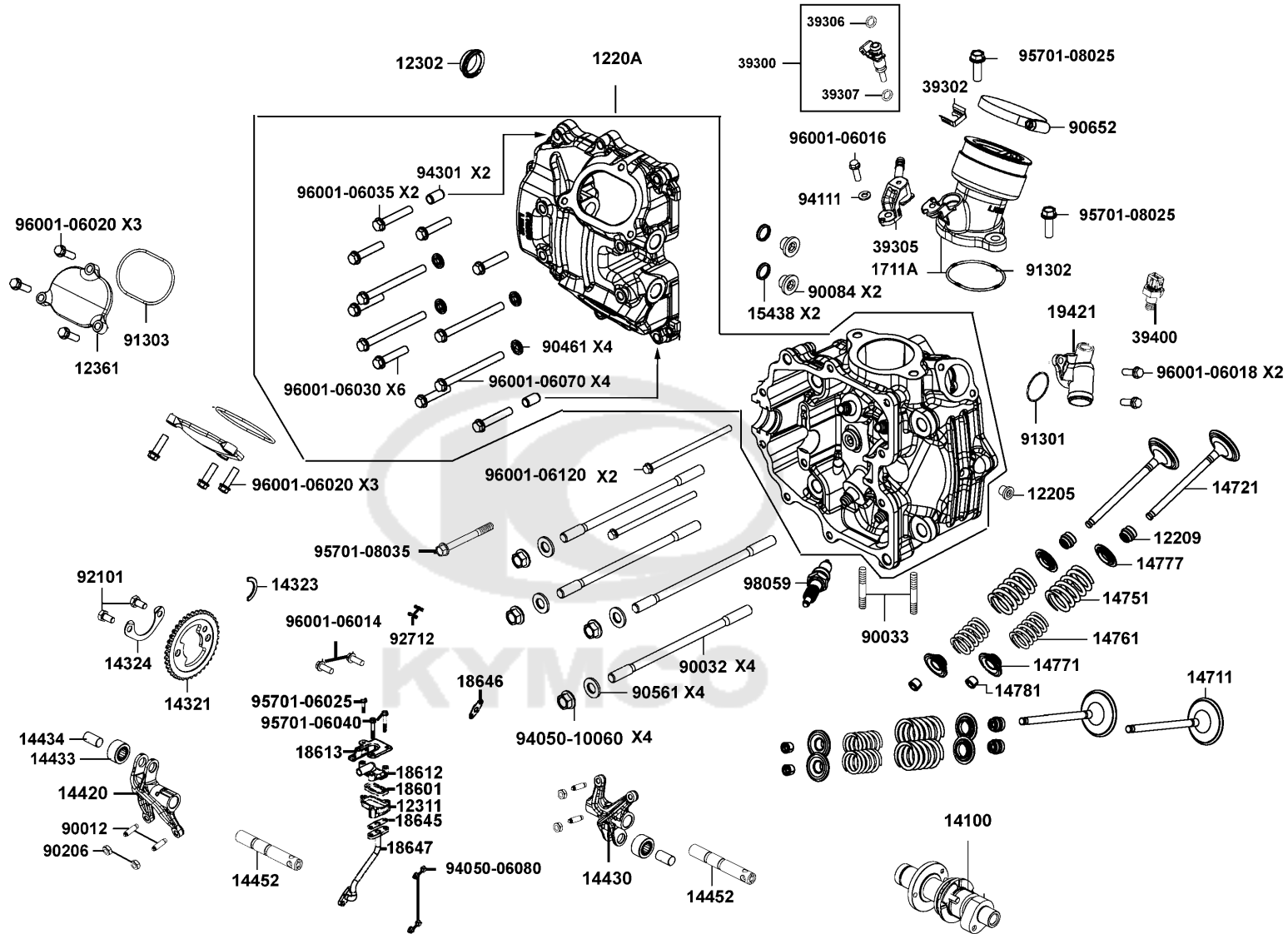
# Crank Case



Sales mark	Ref no	Part no	Description	Reg description	Regd no	<b>E01</b>
96100		96100-62040-00	BEARING BALL RADIAL 6204	BEARING BALL RADIAL 6204	1	
96100A		96100-63030-00	BEARING BALL RADIAL 6303	BEARING BALL RADIAL 6303	1	
96100B		96100-63040-00	BRG BALL RADIAL 6304	BRG BALL RADIAL 6304	1	
96100C		96100-63060-00	BRG BALL RADIAL 6306	BRG BALL RADIAL 6306	1	
96100D		96100-64050-00	BRG BALL RADIAL 6405	BRG BALL RADIAL 6405	1	
96100E		96100-LBA2-E00	BRG BALL RADIAL 6304	BRG BALL RADIAL 6304	2	
96106		96106-LDB5-E00	BEARING BALL RADIAL	BEARING BALL RADIAL	1	
96107		96107-LDB5-E00	BEARING BALL RADIAL	BEARING BALL RADIAL	1	
96211		96211-16000	BALL STEEL #16	BALL STEEL #16	1	
96600		96600-08010-16	SOCKET BOLT 8X10	SOCKET BOLT 8X10	1	
96600A		96600-08020-16	SOCKET BOLT 8X20	SOCKET BOLT 8X20	4	

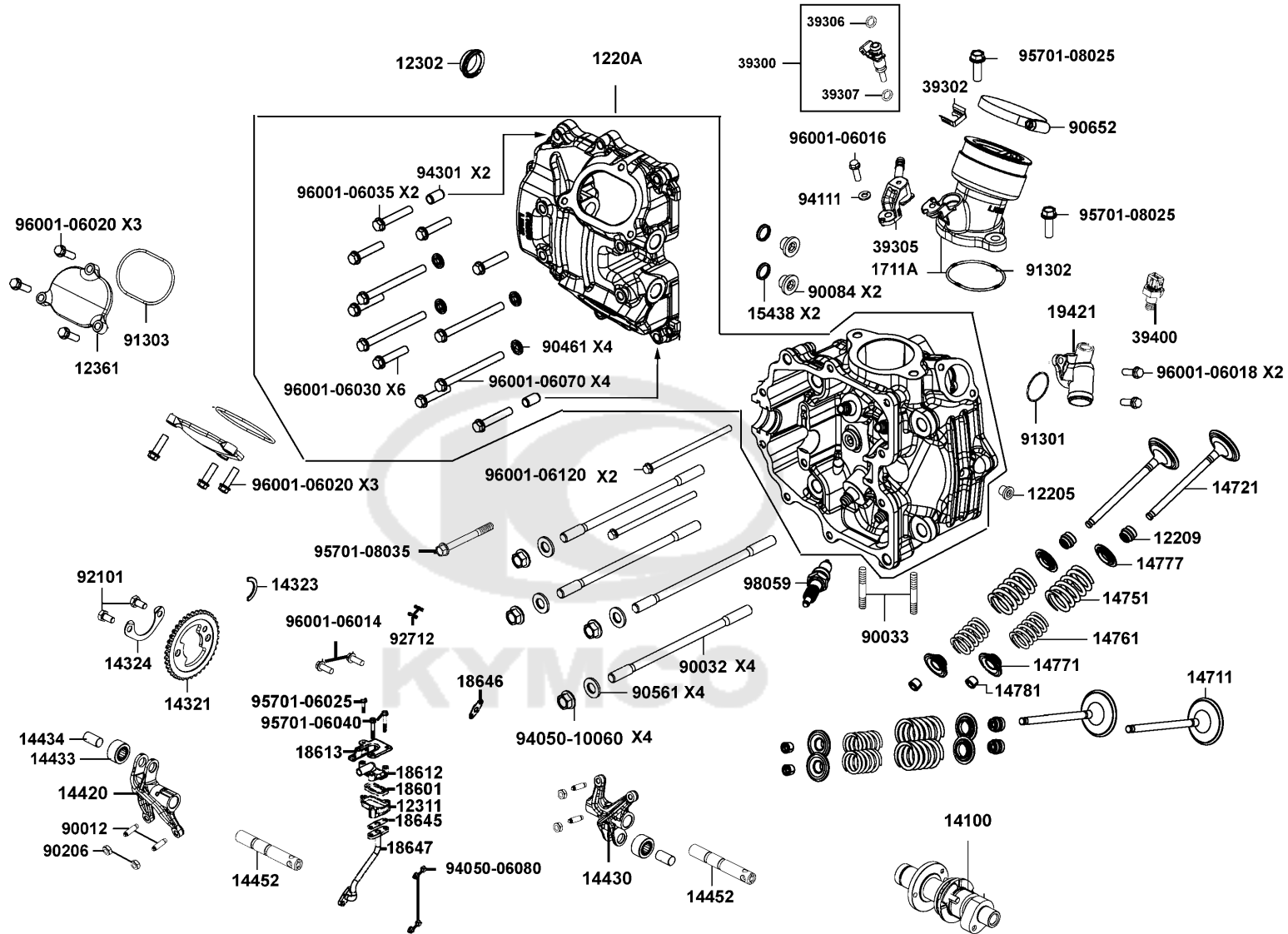


# Cylinder Head Cover Cylinder Head



Sales mark	Ref no	Part no	Description	Reg description	Regd no	E02
	12205	12205-KHE8-301	BOLT SEALING 12MM	BOLT SEALING 12MM	1	
	12209	12209-PUA5-E00	Valve Stem Seal 6mm	Valve Stem Seal 6mm	4	
	1220A	1220A-LKM8-E00	HEAD ASSY CYLINDER	HEAD ASSY CYLINDER	1	
	12302	12302-PTA1-900	PLUG HEAD	PLUG HEAD	1	
	12311	12311-KBE2-900	BODY REED VALVE	BODY REED VALVE	1	
	12361	12361-LKM5-E00	HOLE CAP TAPPET ADJUSTING	HOLE CAP TAPPET ADJUSTING	2	
	14100	14100-LKM5-E00	SHAFT COMP CAM	SHAFT COMP CAM	1	
	14321	14321-LKM5-E00	SPROCKET CAM SHAFT	SPROCKET CAM SHAFT	1	
	14323	14323-PWB1-900	C-RING CAM RETAINER	C-RING CAM RETAINER	1	
	14324	14324-PWB1-900	WASHER LOCK AMSHAFT	WASHER LOCK AMSHAFT	1	
	14420	14420-LKM5-E00	ARM COMP EXH VALVE ROCKER	ARM COMP EXH VALVE ROCKER	1	
	14430	14430-LKM5-E00	ARM COMP IN VALVE ROCKER	ARM COMP IN VALVE ROCKER	1	
	14433	14433-LKM5-E00	ARM VALVE ROCKER	ARM VALVE ROCKER	2	
	14434	14434-LKM5-E00	PIN. ROCKER ARM	PIN. ROCKER ARM	2	
	14452	14452-LKM5-E00	SHAFT EXH ROCKER ARM	SHAFT EXH ROCKER ARM	2	
	14711	14711-LKM5-E00	VALVE. INLET	VALVE. INLET	2	
	14721	14721-LKM5-E00	VALVE. EXHAUST	VALVE. EXHAUST	2	
	14751	14751-LEH6-E00	SPRING. OUTER VALVE	SPRING. OUTER VALVE	4	
	14761	14761-LEH6-E00	SPRING INNER VALVE	SPRING INNER VALVE	4	
	14771	14771-LKM5-E00	RETAINER VALVE SPRING	RETAINER VALVE SPRING	4	

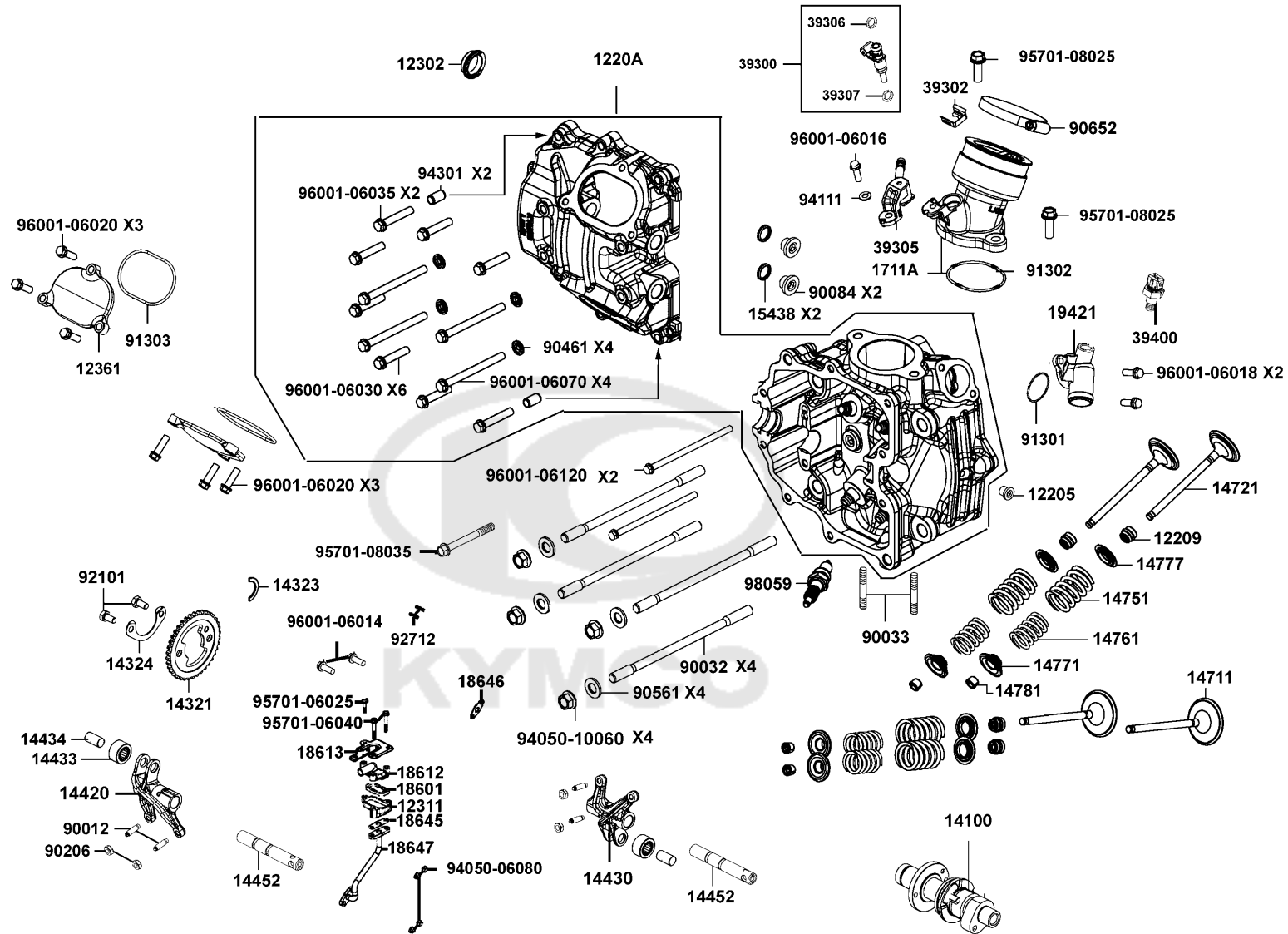
# Cylinder Head Cover Cylinder Head



Sales mark	Ref no	Part no	Description	Reg description	Regd no	E02
	14777	14777-LKM5-E00	SEAT. VALVE SPRING	SEAT. VALVE SPRING	4	
	14781	14781-LKM5-E00	COTTER VALVE	COTTER VALVE	1	
	15438	15438-PWB1-900	GASKET METAL COMPRESSION	GASKET METAL COMPRESSION	2	
	1711A	1711A-LKM5-E00	PIPE ASSY INLET	PIPE ASSY INLET	1	
	18601	18601-KBE2-900	REED VALVE COMP LDV 52*27*6.0	REED VALVE COMP LDV 52*27*6.0	1	
	18612	18612-KFB5-900	COVER REED VALVE	COVER REED VALVE	1	
	18613	18613-LDB5-E00	STAY REED VALVE ASSY	STAY REED VALVE ASSY	1	
	18645	18645-LBA2-E00	GASKET A/I PIPE	GASKET A/I PIPE	1	
	18646	18646-GFY6-941	GASKET A/I PIPE	GASKET A/I PIPE	1	
	18647	18647-LKM5-E00	PIPE COMP AIR	PIPE COMP AIR	1	
	19421	19421-LKM5-E00	JOINT COMP WATER HOSE	JOINT COMP WATER HOSE	1	
	39300	39300-LKM5-E00	FUEL INJECTOR	FUEL INJECTOR	1	
	39302	39302-KKE3-900	CLIP SPRING FUEL INJECTOR	CLIP SPRING FUEL INJECTOR	1	
	39305	39305-LKM5-E00	HOLDER FUEL INJECTOR	HOLDER FUEL INJECTOR	1	
	39306	39306-LEB2-305	O-RING A INJECTOR /BLACK	O-RING A INJECTOR /BLACK	1	
	39307	39307-LEB2-305	O-RING B INJECTOR /GREEN	O-RING B INJECTOR /GREEN	1	
	39400	39400-LEA6-800	WATER TEMP SENSOR	WATER TEMP SENSOR	1	
	90012	90012-LKF5-E00	SCREW TAPPET ADJUSTING	SCREW TAPPET ADJUSTING	4	
	90032	90032-LKM5-E00	BOLT B STUD	BOLT B STUD	4	
	90033	90033-KGB4-C00	BOLT STUD M8X40 (C)	BOLT STUD M8X40 (C)	2	

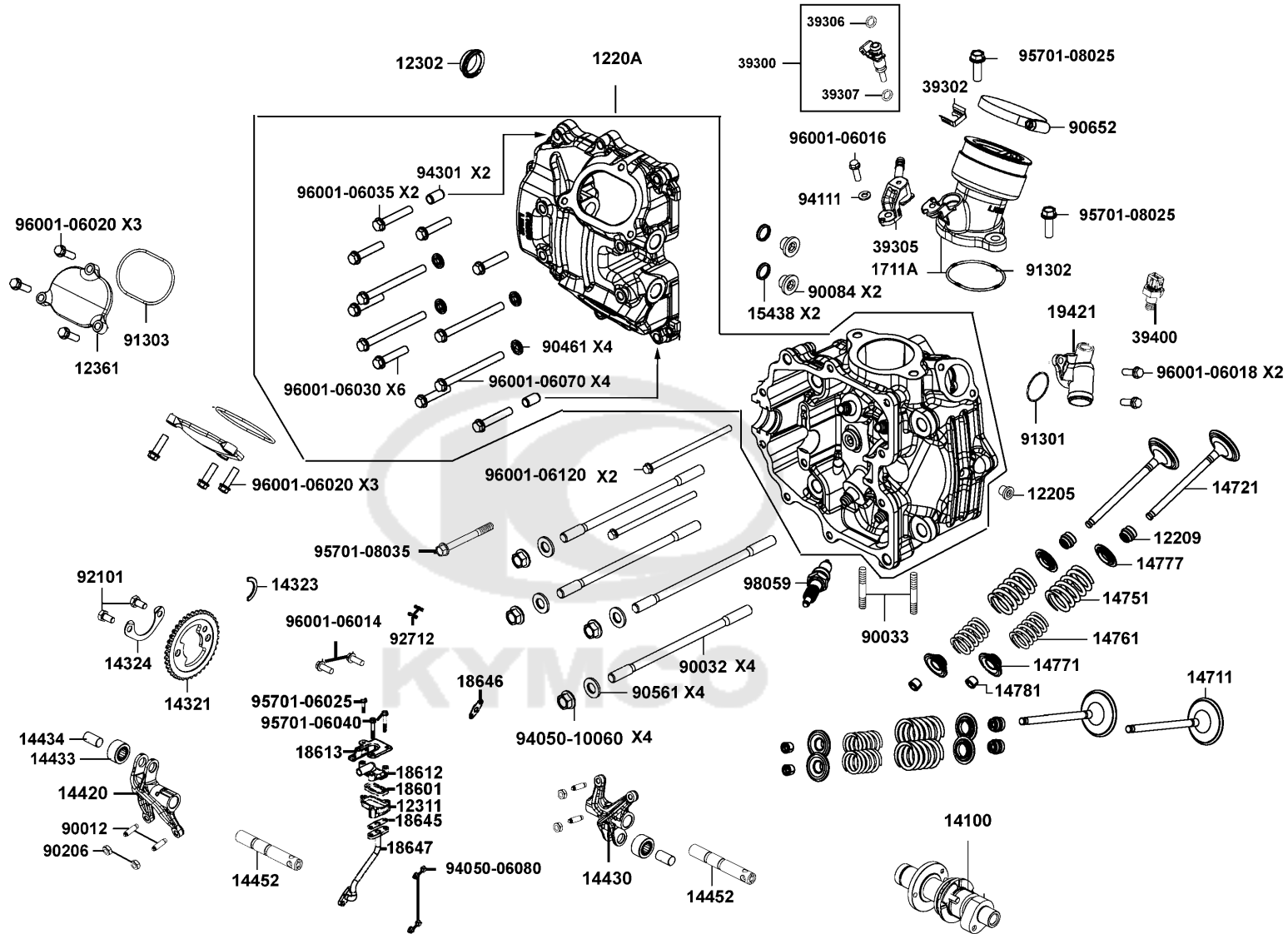


# Cylinder Head Cover Cylinder Head



Sales mark	Ref no	Part no	Description	Reg description	Regd no	E02
	90084	90084-KKE5-E00	CAPE OIL CHANNEL	CAPE OIL CHANNEL	2	
	90206	90206-0A01-001	NUT TAPPET ADJG	NUT TAPPET ADJG	4	
	90461	90461-PWB1-900	WASHER SEALING	WASHER SEALING	4	
	90561	90561-PWB1-900	WASHER 21X10X2.2	WASHER 21X10X2.2	4	
	90652	90652-LKM5-E00	C-HOPE(50~70)	C-HOPE(50~70)	1	
	91301	91301-KKE5-E00	O RING 28.8x2.4	O RING 28.8x2.4	1	
	91302	91302-LKM5-E00	O-RING	O-RING	1	
	91303	91303-LKM5-E00	STOPPER RUBBER	STOPPER RUBBER	2	
	92101	92101-06012-0HN	BOLT HEX 6X12	BOLT HEX 6X12	2	
	92712	92712-06028-0B	BOLT STUD 6*28	BOLT STUD 6*28	2	
	94050-06080	94050-06080	NUT FLANGE 6MM	NUT FLANGE 6MM	2	
	94050-10060	94050-10060	NUT FLANGE 10MM	NUT FLANGE 10MM	4	
	94111	94111-06800	WASHER SPRING 6MM	WASHER SPRING 6MM	1	
	94301	94301-08140	DOWEL PIN 8*14	DOWEL PIN 8*14	2	
	95701-06025	95701-06025-06	BOLT FLANGE 6*25	BOLT FLANGE 6*25	1	
	95701-06040	95701-06040-06	BOLT FLANGE 6*40	BOLT FLANGE 6*40	1	
	95701-08025	95701-08025-06	BOLT FLANGE 8*25	BOLT FLANGE 8*25	2	
	95701-08035	95701-08035-06	BOLT FLANGE 8*28	BOLT FLANGE 8*28	1	
	96001-06014	96001-06014-06	BOLT FLANGE SH 6X14	BOLT FLANGE SH 6X14	1	
	96001-06016	96001-06016-06	BOLT FLANGE SH 6X16	BOLT FLANGE SH 6X16	1	

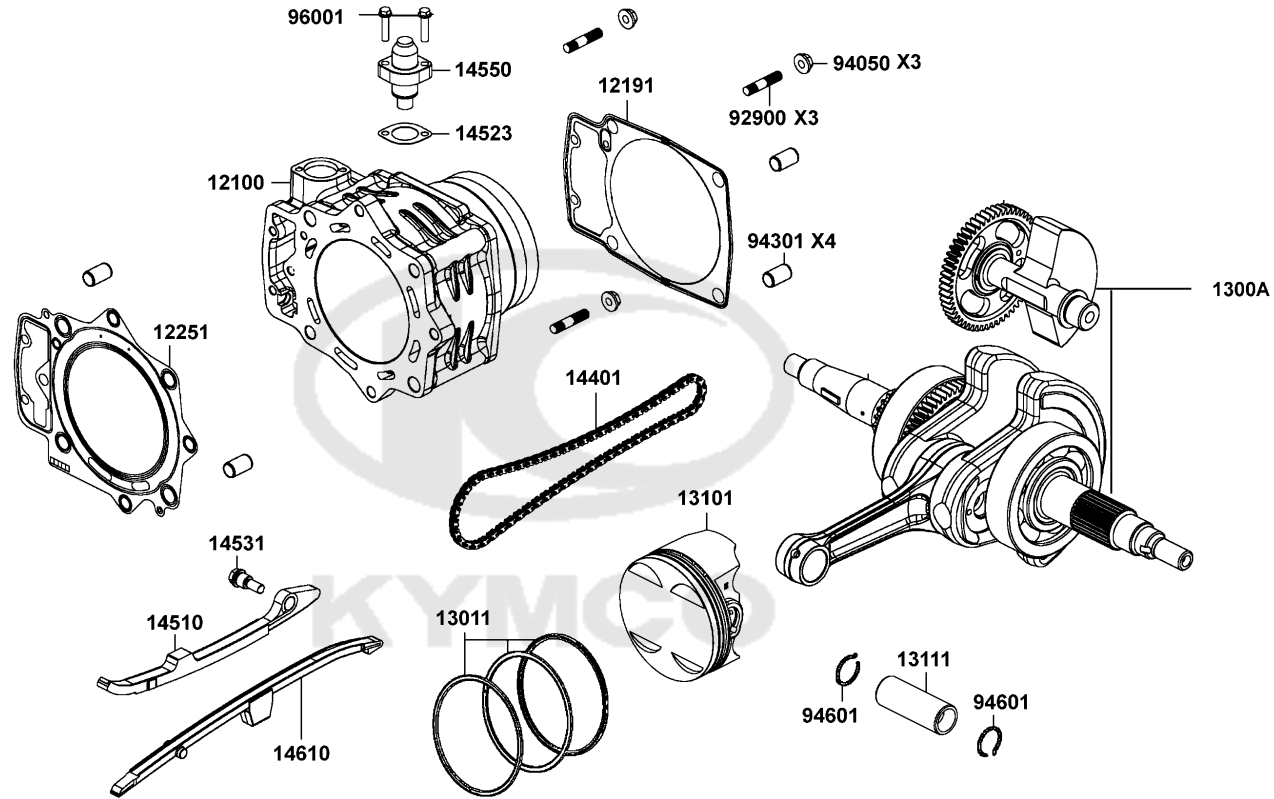
# Cylinder Head Cover Cylinder Head



Sales mark	Ref no	Part no	Description	Reg description	Regd no	<b>E02</b>
	96001-06018	96001-06018-06	BOLT FLANGE SH 6X18	BOLT FLANGE SH 6X18	2	
	96001-06020	96001-06020-06	BOLT FLANGE SH 6*20	BOLT FLANGE SH 6*20	6	
	96001-06030	96001-06030-06	BOLT FLANGE SH 6X30	BOLT FLANGE SH 6X30	6	
	96001-06035	96001-06035-06	BOLT FLANGE SH 6*35	BOLT FLANGE 6*35	2	
	96001-06120	96001-06120-06	BOLT FLANGE SH 6*120	BOLT FLANGE SH 6*120	1	
	96001-06070	96001-LKM5-E00	BOLT FLANGE SH 6X70	BOLT FLANGE SH 6X70	4	
	98059	98059-57916-00	SPARK PLUG CR7E	SPARK PLUG CR7E	1	

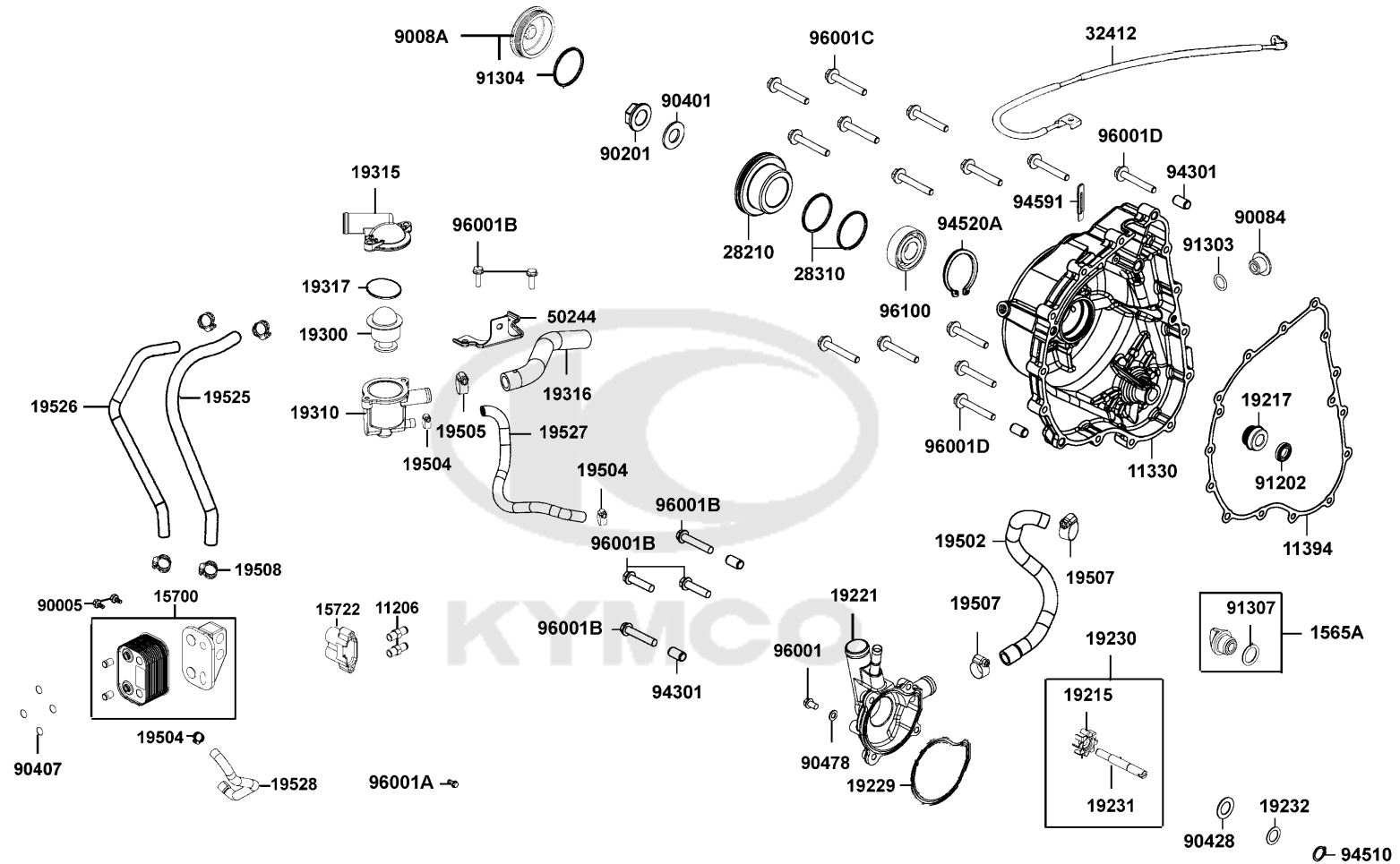


# Cylinder Piston Crankshaft



Sales mark	Ref no	Part no	Description	Reg description	Regd no	E03
	12100	12100-LKM5-E00	CYLINDER COMP (A)	CYLINDER COMP (A)	1	
	12191	12191-LKM5-E00	GASKET CYLINDER @A	GASKET CYLINDER @A	1	
	12251	12251-LKM8-E00	GASKET CYLINDER HEAD	GASKET CYLINDER HEAD	1	
	1300A	1300A-LKM5-305	CRANK BLANCER COMP	CRANK BLANCER COMP	1	
	13011	13011-LKM5-E00	RING SET PISTON	RING SET PISTON	1	
	13101	13101-LKM5-E00	PISTON	PISTON	1	
	13111	13111-LKM5-E00	PIN PISTON	PIN PISTON	1	
	14401	14401-LKM5-E00	CHAIN CAM (CHN-T092RH2015-120P-M)	CHAIN CAM (CHN-T092RH2015-120P-M)	1	
	14401	14401-LKM5-E0A	CHAIN CAM(KMC)	CHAIN CAM(KMC)	1	
	14510	14510-LKM5-E00	TENSIONER CAM CHAIN	TENSIONER CAM CHAIN	1	
	14523	14523-LKF5-E00	GASKET TENSIONER LIFTER @A	GASKET TENSIONER LIFTER @A	1	
	14531	14531-KKJ9-001	PIVOT CAM CHAIN TENSIONER	PIVOT CAM CHAIN TENSIONER	1	
	14550	14550-LKF5-E00	ADJUSTER CAM CHAIN	ADJUSTER CAM CHAIN	1	
	14610	14610-LKM5-E00	GUIDE COMP CAM CHAIN	GUIDE COMP CAM CHAIN	1	
	92900	92900-PTA1-900	BOLT STUD 8*40	BOLT STUD 8*40	3	
	94050	94050-08080	NUT FLANGE 8MM	NUT FLANGE 8MM	3	
	94301	94301-12200	DOWEL PIN 12*20	DOWEL PIN 12*20	4	
	94601	94601-LKM5-E00	CLIP PISTON PIN	CLIP PISTON PIN	2	
	96001	96001-06025-06	BOLT FLANGE SH 6*25	BOLT FLANGE SH 6*25	1	

Right Crankcase Cover Water Pump

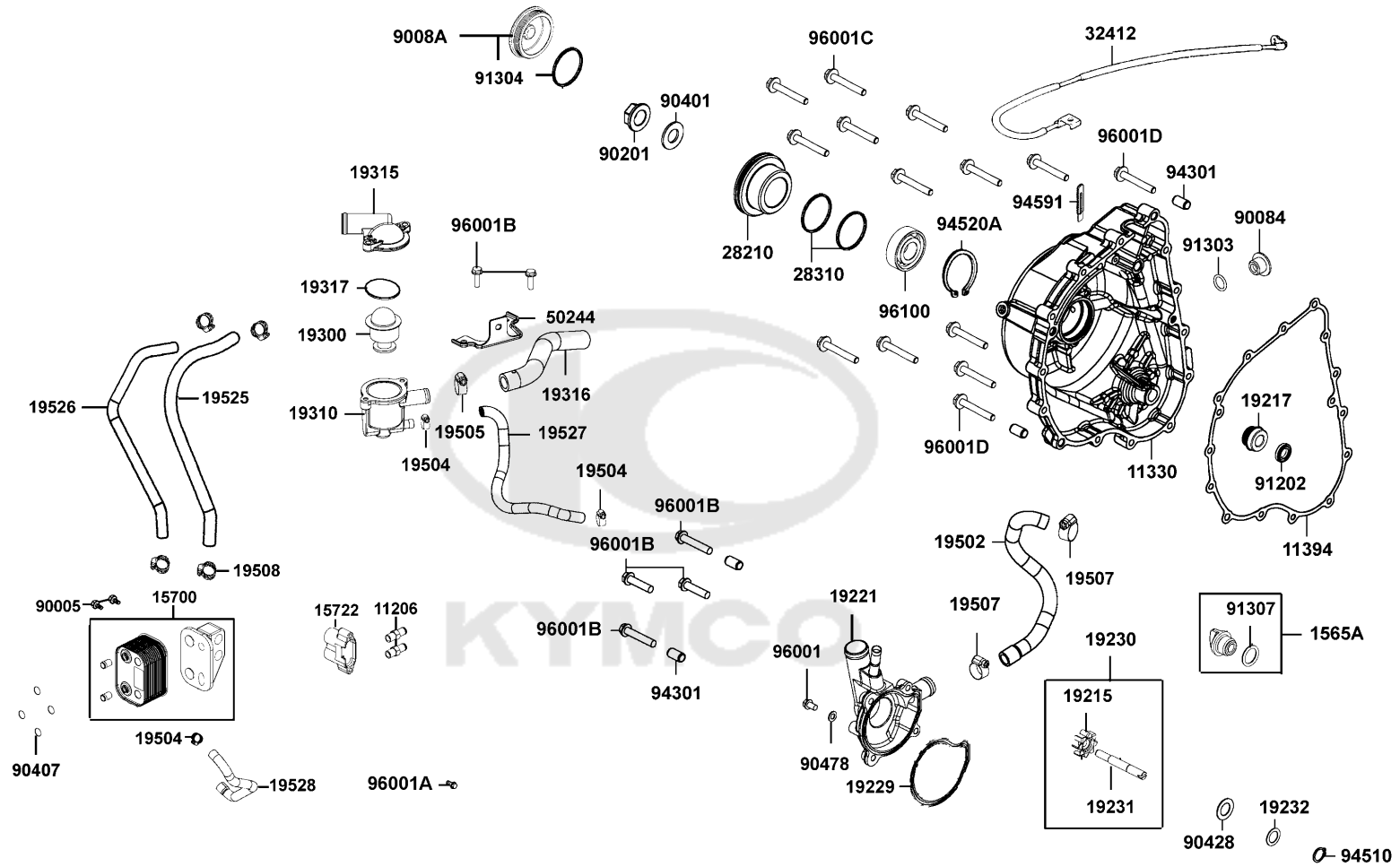


Sales mark	Ref no	Part no	Description	Reg description	Regd no	<b>E04</b>
	11206	11206-LEE8-E00	OIL COOLER BOLT 12X12	OIL COOLER BOLT 12X12	2	
	11330	11330-LKM5-E00	COVER COMP R CRANK CASE	COVER COMP R CRANK CASE	1	
	11394	11394-LKM5-E00	GASKET R COVER @A	GASKET R COVER @A	1	
	1565A	1565A-PWA1-900	GAUGE OIL LEVEL ASSY	GAUGE OIL LEVEL ASSY	1	
	15700	15700-LBA2-E00	OIL WATER HEAT EXCHANGER	OIL WATER HEAT EXCHANGER	1	
	15700	15700-LBA2-E0A	OIL WATER HEAT EXCHANGER	OIL WATER HEAT EXCHANGER	1	
	15722	15722-LEE8-E00	COUPLE OIL COOLER	COUPLE OIL COOLER	1	
	19215	19215-LBA2-E00	IMPELLER WATER PUMP	IMPELLER WATER PUMP	1	
	19217	19217-ZPA3-E00	SEAL MECHANICAL	SEAL MECHANICAL	1	
	19221	19221-LKM5-E00	COVER WATER PUMP	COVER WATER PUMP	1	
	19229	19229-LKM5-E00	O-RING. WATER PUMP	O-RING. WATER PUMP	1	
	19230	19230-LKM5-E00	ASSY WATER PUMP	ASSY WATER PUMP	1	
	19231	19231-LKM5-E00	SHAFT WATER PUMP	SHAFT WATER PUMP	1	
	19232	19232-LBA2-E00	WASHER 21*13.8*1.5	WASHER 21*13.8*1.5	1	
	19300	19300-LBA2-E00	THERMOSTAT ASSY	THERMOSTAT ASSY	1	
	19310	19310-LKM5-E00	CASE COMP THERMOSTAT	CASE COMP THERMOSTAT	1	
	19315	19315-LBA2-E00	COVER THERMOSTAT	COVER THERMOSTAT	1	
	19316	19316-LKM8-E00	HOSE THERMOSTAT	HOSE THERMOSTAT	1	
	19317	19317-LBA2-E00	RING 48.3*2	RING 48.3*2	1	
	19502	19502-LKM5-E00	HOSE. WATER B	HOSE. WATER B	1	



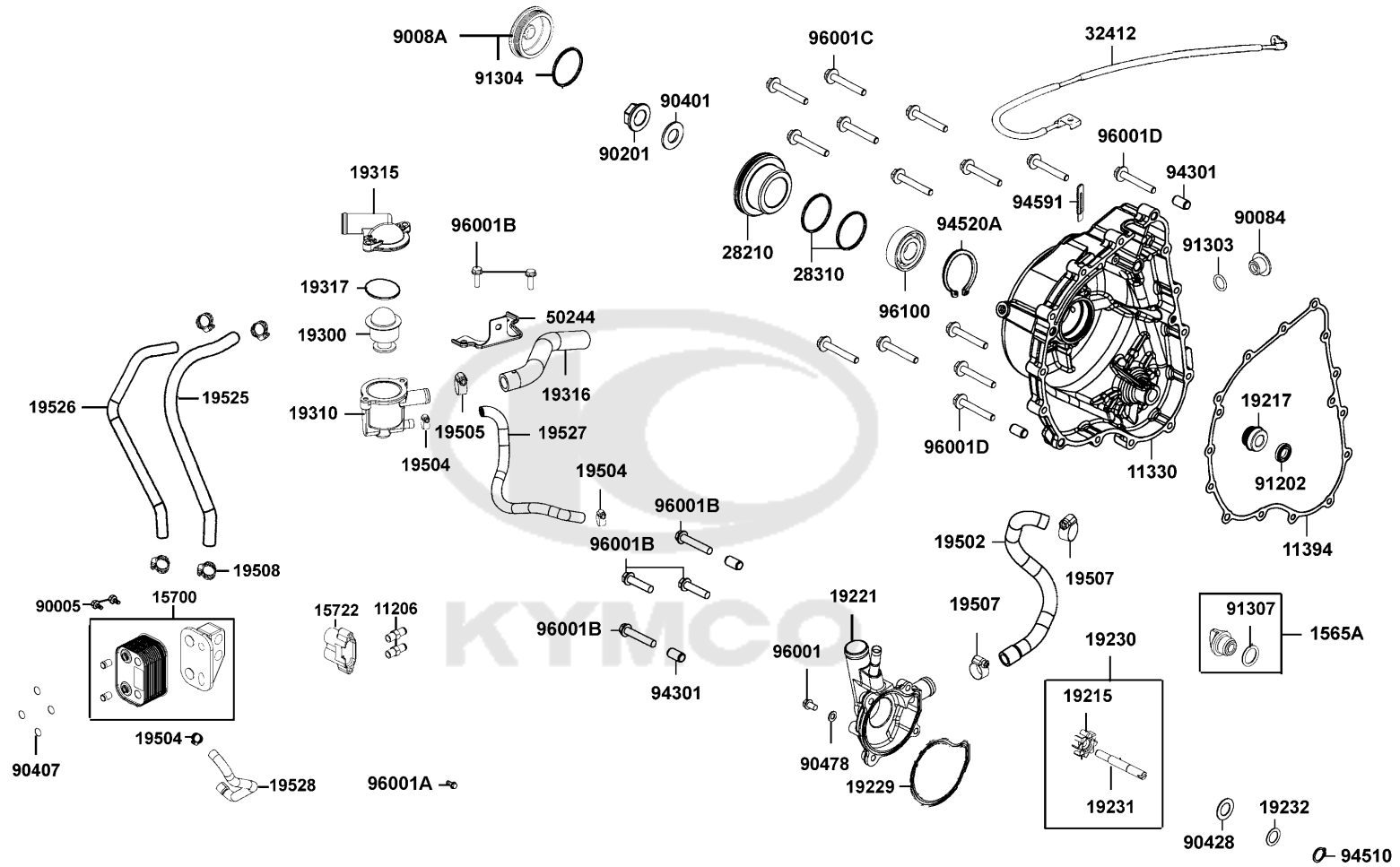
E04

# Right Crankcase Cover Water Pump



Sales mark	Ref no	Part no	Description	Reg description	Regd no	<b>E04</b>
19504		19504-LBA2-E00	CLAMP D16.8	CLAMP D16.8	2	
19505		19505-LBA2-E00	CLAMP WATER HOSE	CLAMP WATER HOSE	1	
19507		19507-LDB5-E00	CLAMP D 28	CLAMP D 28	2	
19508		19508-LEE8-E00	CLAMP 20.0	CLAMP 20.0	4	
19525		19525-LKM8-E00	OIL COOLER HOSE OIL IN	OIL COOLER HOSE OIL IN	1	
19526		19526-LKM8-E00	OIL COOLER HOSE OIL EX	OIL COOLER HOSE OIL EX	1	
19527		19527-LKM8-E00	TUBE IN	TUBE IN	1	
19528		19528-LKM8-E00	OIL COOLER HOSE WATER EX.	OIL COOLER HOSE WATER EX.	1	
28210		28210-LKM5-E00	BOSS RACHET	BOSS RACHET	1	
28310		28310-LDB5-E00	RING OIL PATH	RING OIL PATH	2	
32412		32412-LEE8-E00	CABLE EARTH	CABLE EARTH	1	
50244		50244-LEE8-E00	BRKT THERMOSTAT	BRKT THERMOSTAT	1	
90005		90005-LBA2-E00	BOLT C OIL PASS	BOLT C OIL PASS	2	
9008A		9008A-LKM5-E00	CAP ASSY	CAP ASSY	1	
90201		90201-KHR8-75A	NUT FLANGE 14MM	NUT FLANGE 14MM	1	
90401		90401-KKJ9-001	WASHER THRUST 14*28*2	WASHER THRUST 14*28*2	1	
90407		90407-LBA2-E00	SEALING WASHER OIL PIPE	SEALING WASHER OIL PIPE	4	
90428		90428-9H58-001	WASHER THRUST 14MM B	WASHER THRUST 14MM B	1	
90478		90478-7L00-001	WASHER A 6MM	WASHER A 6MM	1	
91202		91202-KGB4-C00	OIL SEAL 13.7*24*5	OIL SEAL 13.7*24*5	1	

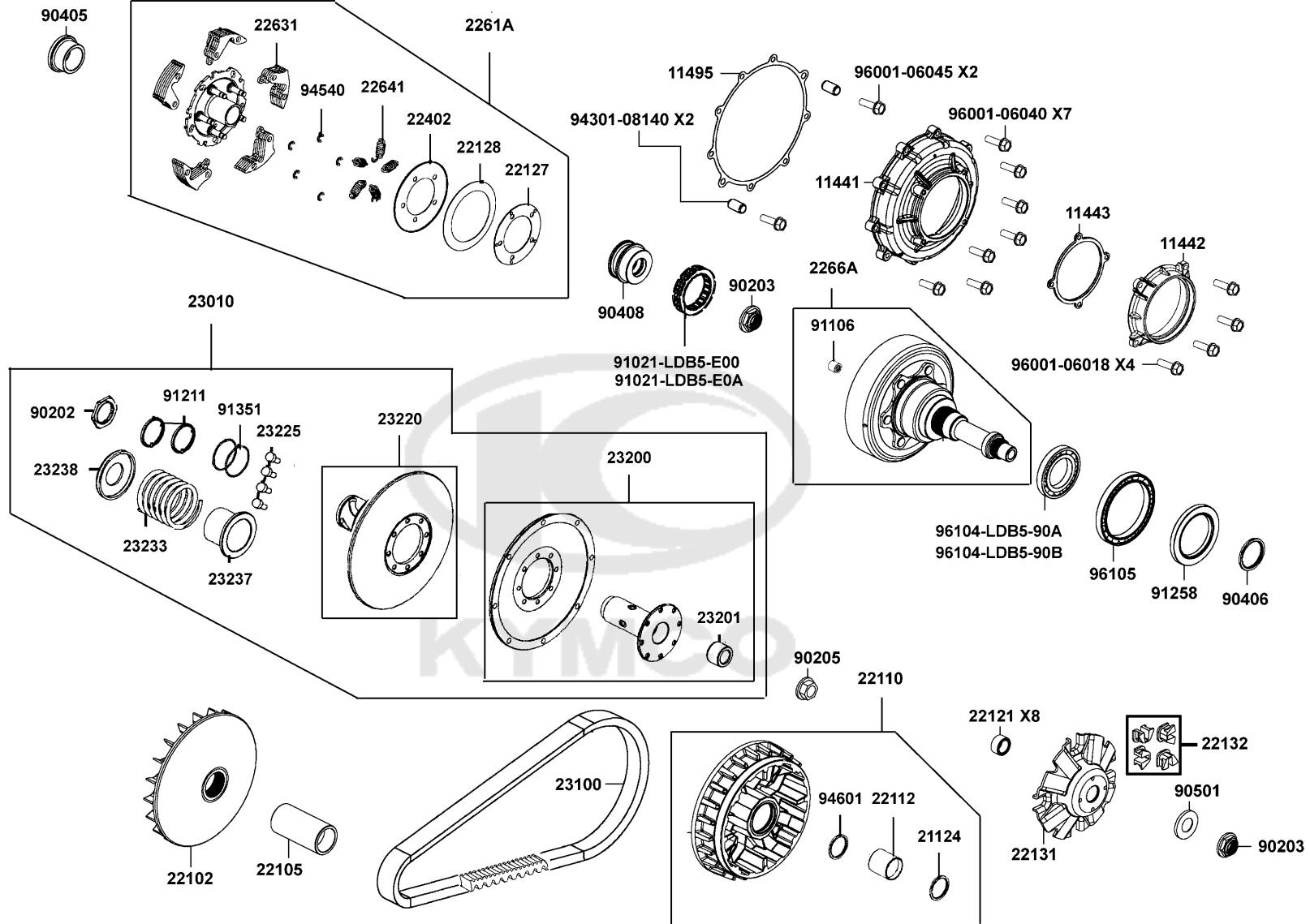
Right Crankcase Cover Water Pump



Sales mark	Ref no	Part no	Description	Reg description	Regd no	<b>E04</b>
91303		91303-3G77-001	O-RING 13.8*2.5	O-RING 13.8*2.5	1	
91304		91304-LKM5-E00	O-RING 56.6*2.4	O-RING 56.6*2.4	1	
91307		91307-0E35-001	O RING 18*3	O RING 18*3	1	
94301		94301-08140	DOWEL PIN 8*14	DOWEL PIN 8*14	4	
94510		94510-14000	CIR CLIP EXTERNAL 14	CIR CLIP EX 14	1	
94520A		94520-47000	CIR CLIP IN 47	CIR CLIP IN 47	1	
94591		94591-LLB1-900	CLIP 2*100	CLIP 2*100	4	
96001		96001-06010-02	BOLT FLANGE SH 6*10	BOLT FLANGE SH 6*10	1	
96001A		96001-06012-06	BOLT FLANGE SH 6*12	BOLT FLANGE SH 6*12	1	
96001B		96001-06025-06	BOLT FLANGE SH 6*25	BOLT FLANGE SH 6*25	1	
96001C		96001-06032-06	BOLT FLANGE 6*32	BOLT FLANGE 6*32	12	
96001D		96001-06040-06	BOLT FLANGE SH 6*40	BOLT FLANGE SH 6*40	1	
96100		96100-69060-00	BEARING BALL RADIAL 6906	BEARING BALL RADIAL 6906	1	

E05

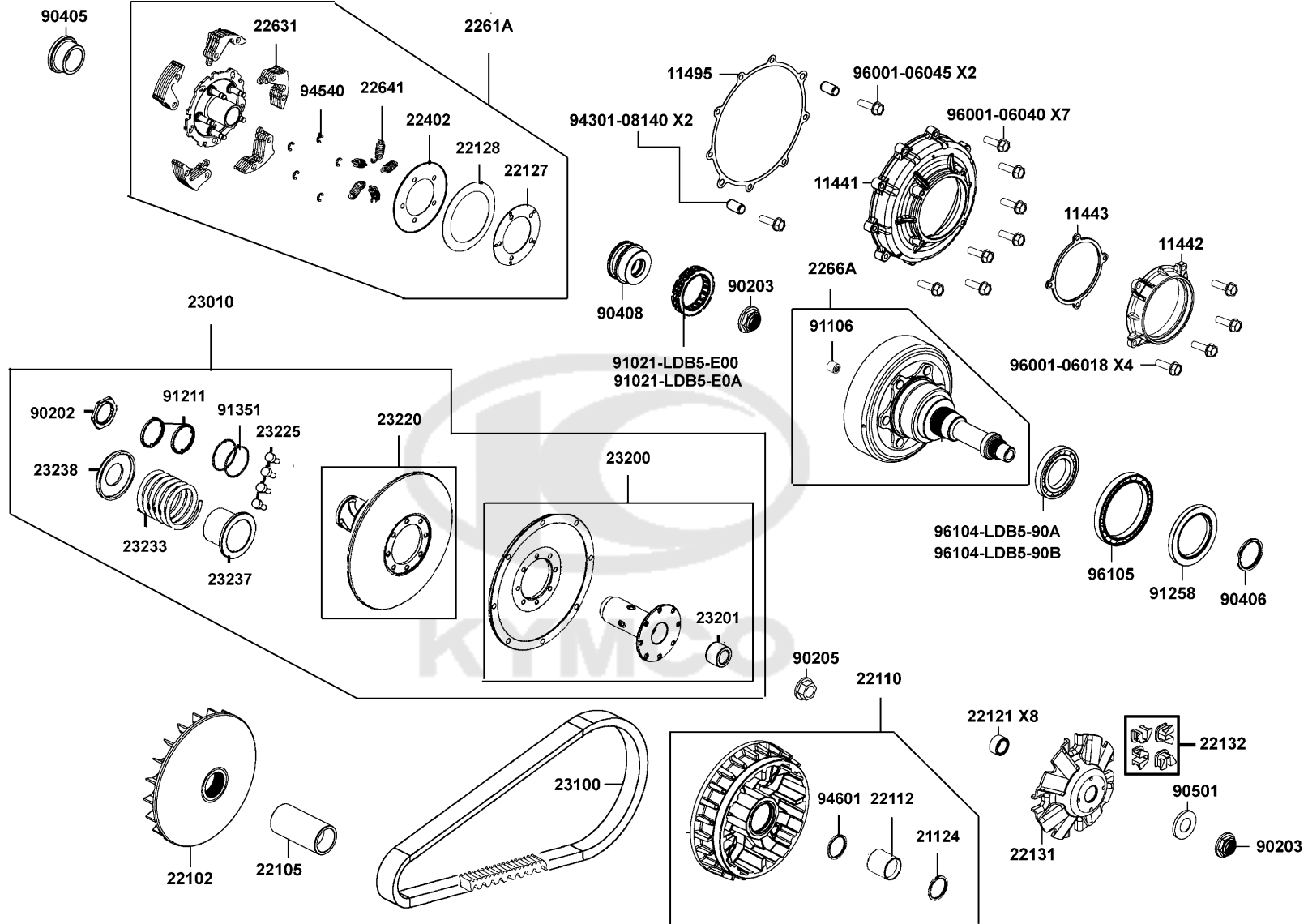
# Drive Pulley



Sales mark	Ref no	Part no	Description	Reg description	Regd no	E05
	11441	11441-LKM5-E00	COVER CLUTCH	COVER CLUTCH	1	
	11442	11442-LDB5-900	COVER PRIMARY SHAFT	COVER PRIMARY SHAFT	1	
	11443	11443-LDB5-900	GASKET PRIMARY SHAFT COVER	GASKET PRIMARY SHAFT COVER	1	
	11495	11495-LKM5-E00	GASKET CLUTCH COVER @A	GASKET CLUTCH COVER @A	1	
	21124	21124-LKM5-E00	OIL SEAL 42X51X4	OIL SEAL 42X51X4	1	
	22102	22102-LDB5-E00	FACE DRIVE	FACE DRIVE	1	
	22105	22105-LKM8-E00	BOSS DRIVE FACE	BOSS DRIVE FACE	1	
	22110	22110-LKM5-E00	FACE COMP MOVABLE DRIVE	FACE COMP MOVABLE DRIVE	1	
	22112	22112-LDB5-E00	BUSH 42X47X48	BUSH 42X47X48	1	
	22121	22121-LDB5-305	ROLLER SET WEIGHT (1SET:8PCS)	ROLLER SET WEIGHT (1SET:8PCS)	1	
	22127	22127-LDB5-E00	SEAT ADJUSTER SPG	SEAT ADJUSTER SPG	1	
	22128	22128-LDB5-E00	PLATE ADJUSTER SPG	PLATE ADJUSTER SPG	1	
	22131	22131-LKM5-E00	PLATE RAMP	PLATE RAMP	1	
	22132	22132-LKM5-305	PIECE SLIDE SET (1SET:4PCS)	PIECE SLIDE SET (1SET:4PCS)	1	
	22402	22402-LDB5-E00	SPR ADJUSTER	SPR ADJUSTER	1	
	2261A	2261A-LKM5-E00	CLUTCH ASSY.. PRIMARY	CLUTCH ASSY.. PRIMARY	1	
	22631	22631-LKM5-E00	WEIGHT PRIMARY CLUTCH	WEIGHT PRIMARY CLUTCH	1	
	22641	22641-LKM5-E00	PRIMARY CLUTH SPG	PRIMARY CLUTH SPG	5	
	2266A	2266A-LKM5-E00	GEAR ASSY PRIMARY DRIVE	GEAR ASSY PRIMARY DRIVE	1	
	23010	23010-LKM5-E00	PULLEY ASSY DRIVEN	PULLEY ASSY DRIVEN	1	

E05

# Drive Pulley

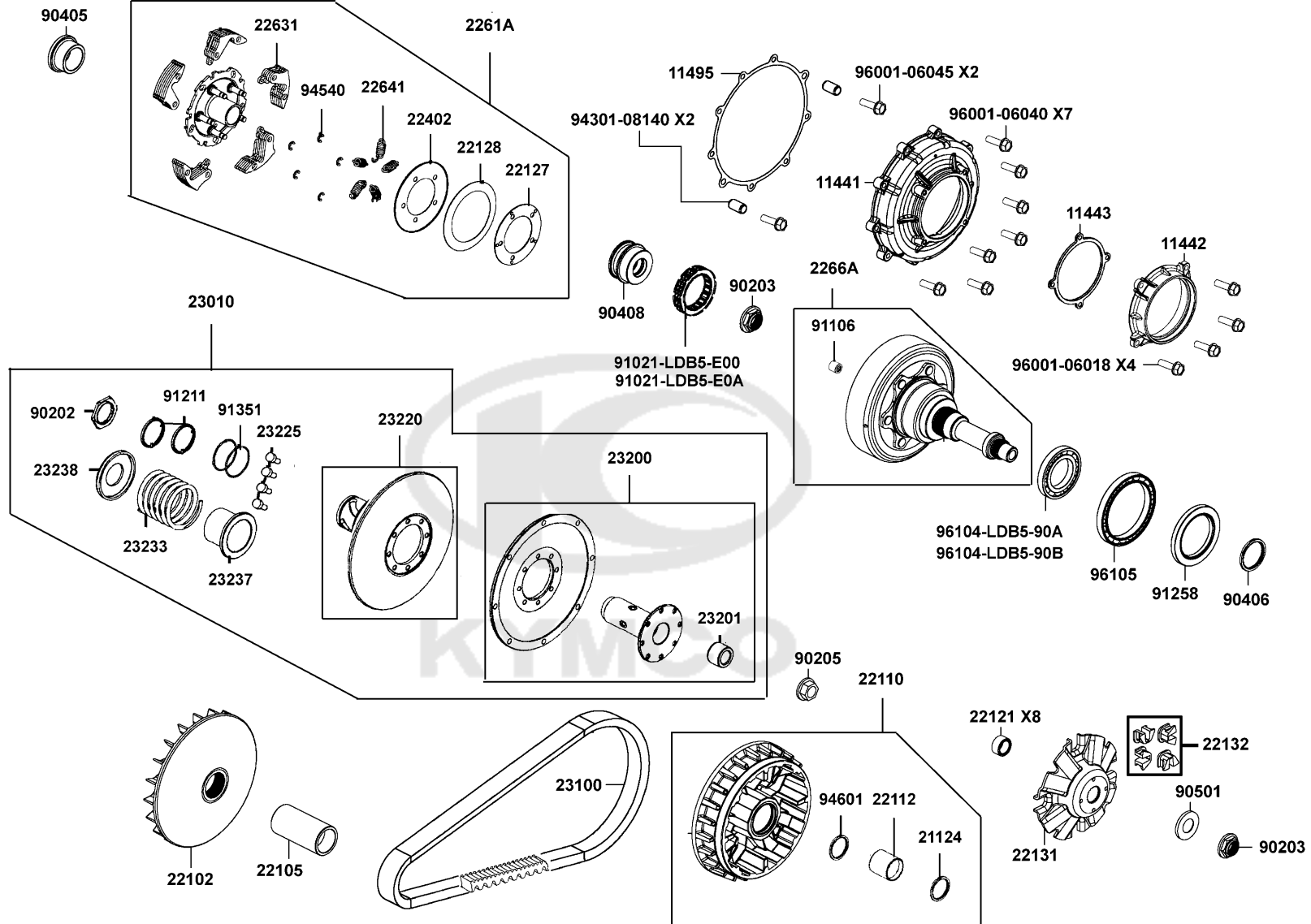


Sales mark	Ref no	Part no	Description	Reg description	Regd no	<b>E05</b>
23100		23100-LKM5-E00	BELT DRIVE	BELT DRIVE	1	
23200		23200-LDB5-E00	FACE ASSY DRIVEN	FACE ASSY DRIVEN	1	
23201		23201-LDB5-E00	BUSH MOVABLE FACE	BUSH MOVABLE FACE	1	
23220		23220-LDB5-E00	FACE COMP MOVABLE DRIVE	FACE COMP MOVABLE DRIVE	1	
23225		23225-LKM5-E00	PIN ROLLER GUIDE	PIN ROLLER GUIDE	4	
23233		23233-LDB5-E00	SPG DRIVEN FACE	SPG DRIVEN FACE	1	
23237		23237-LDB5-E00	COLLAR SEAL	COLLAR SEAL	1	
23238		23238-LDB5-E00	COLLAR SPG	COLLAR SPG	1	
90202		90202-LDB5-E00	NUT SPECIAL 36MM	NUT SPECIAL 36MM	1	
90203		90203-LDB5-E00	NUT FLANGE 20MM	NUT FLANGE 20MM	2	
90205		90205-LDB5-E00	NUT FLANGE 16 mm	NUT FLANGE 16 mm	1	
90405		90405-LKM5-E00	COLLAR CLUTCH	COLLAR CLUTCH	1	
90406		90406-LDB5-E00	WASHER 25*33*4	WASHER 25*33*4	1	
90408		90408-LDB5-900	COLLAR PRIMARY DRIVE SHAFT	COLLAR PRIMARY DRIVE SHAFT	1	
90501		90501-LKM5-E00	WASHER THRUST 20MM	WASHER THRUST 20MM	1	
91021-LDB5-E00		91021-LDB5-E00	BEARING ONE WAY	BEARING ONE WAY	1	
91021-LDB5-E0A		91021-LDB5-E0A	BEARING ONE WAY	BEARING ONE WAY	1	
91106		91106-LDB5-E00	BRG NEEDLE 14*22*20	BRG NEEDLE 14*22*20	1	
91211		91211-LDB5-E00	SEAL DRIVEN FACE 40.2*47*4	SEAL DRIVEN FACE 40.2*47*4	2	
91258		91258-LDB5-900	OIL SEAL 56.5*80*7	OIL SEAL 56.5*80*7	1	

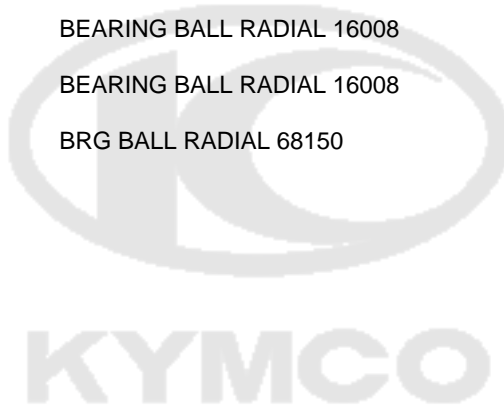


E05

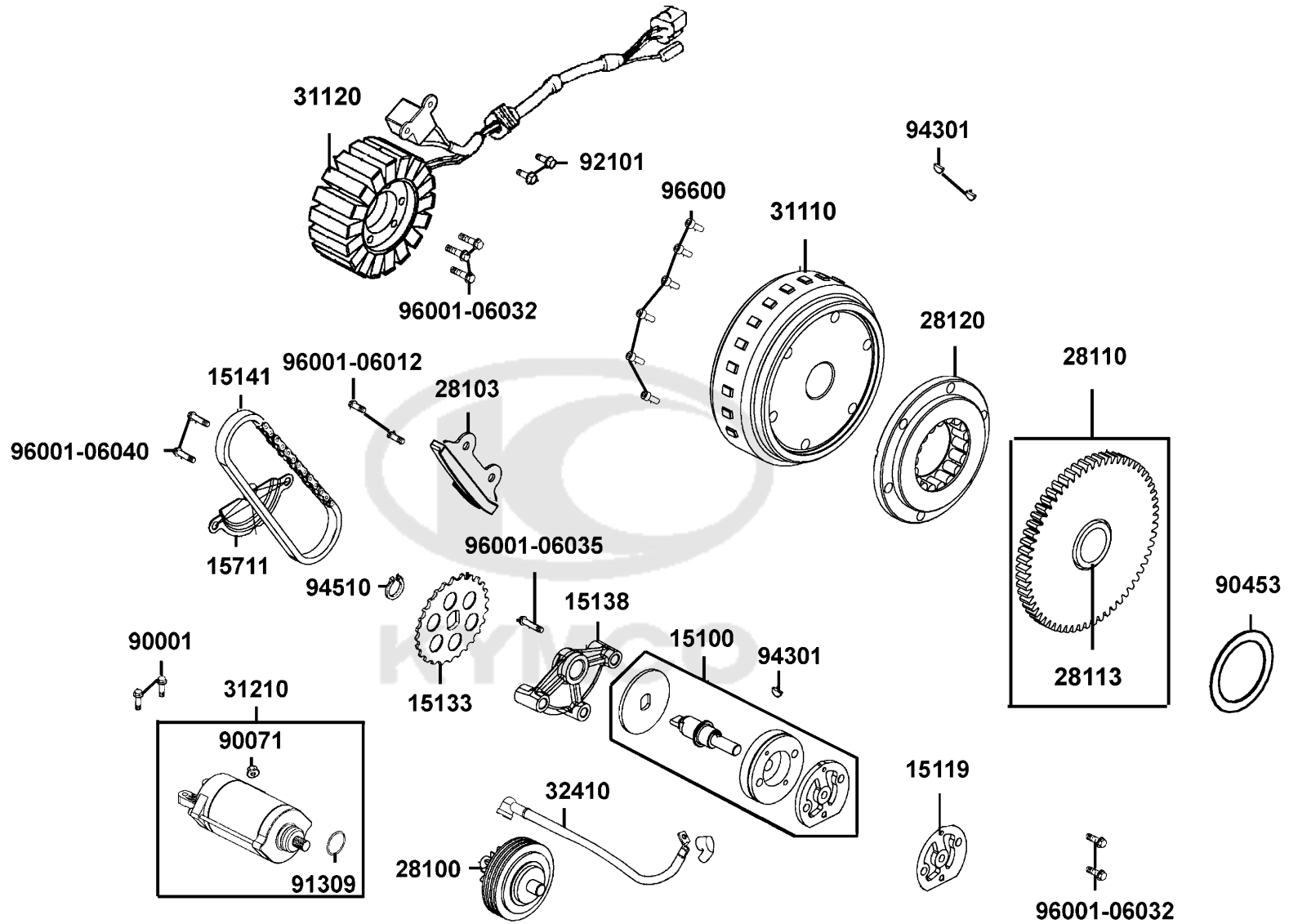
# Drive Pulley



Sales mark	Ref no	Part no	Description	Reg description	Regd no	<b>E05</b>
91351		91351-LDB5-E00	O-RING PINION CAP	O-RING PINION CAP	2	
94301-08140		94301-08140	DOWEL PIN 8*14	DOWEL PIN 8*14	2	
94540		94540-07017	E RING 7MM	E RING 7MM	5	
94601		94601-LDB5-E00	CIRCLIP 46.5mm	CIRCLIP 46.5mm	1	
96001-06018		96001-06018-06	BOLT FLANGE SH 6X18	BOLT FLANGE SH 6X18	4	
96001-06040		96001-06040-06	BOLT FLANGE SH 6*40	BOLT FLANGE SH 6*40	1	
96001-06045		96001-06045-06	BOLT FLANGE 6X45	BOLT FLANGE 6X45	2	
96104-LDB5-90A		96104-LDB5-90A	BEARING BALL RADIAL 16008	BEARING BALL RADIAL 16008	1	
96104-LDB5-90B		96104-LDB5-90B	BEARING BALL RADIAL 16008	BEARING BALL RADIAL 16008	1	
96105		96105-LDB5-90C	BRG BALL RADIAL 68150	BRG BALL RADIAL 68150	1	

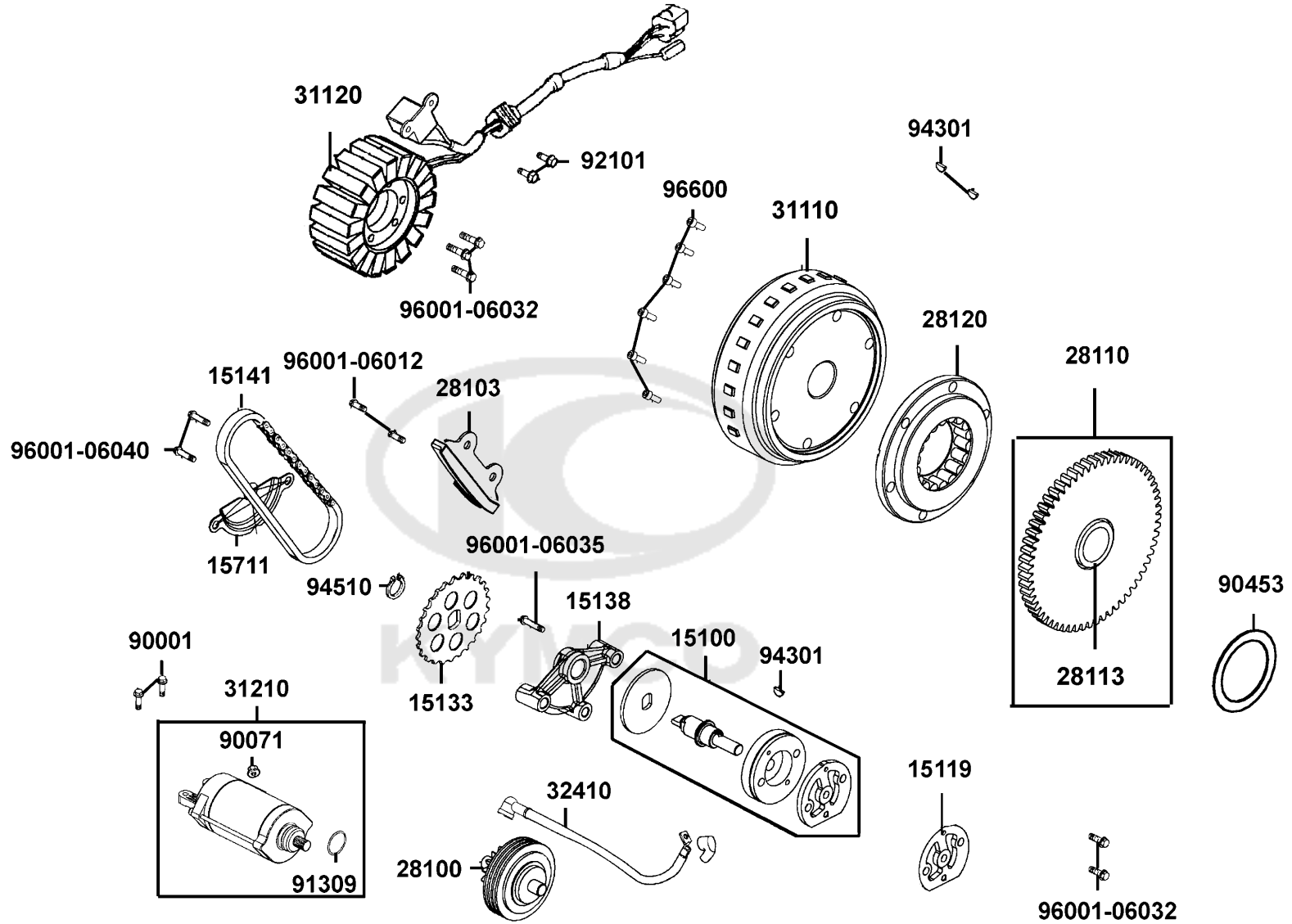


Starting Motor Generator



Sales mark	Ref no	Part no	Description	Reg description	Regd no	E06
	15100	15100-LDB5-E00	PUMP ASSY OIL	PUMP ASSY OIL	1	
	15119	15119-LKM5-E00	GASKET OIL PUMP BODY	GASKET OIL PUMP BODY	1	
	15133	15133-LBA2-E00	SPROCKET OIL PUMP DRIVE	SPROCKET OIL PUMP DRIVE	1	
	15138	15138-LDB5-E00	HOLDER OIL PUMP SHAFT	HOLDER OIL PUMP SHAFT	1	
	15141	15141-LDB5-E00	CHAIN OIL PUMP	CHAIN OIL PUMP	1	
	15711	15711-LDB5-E00	SEPARATER OIL	SEPARATER OIL	1	
	28100	28100-LKM5-E00	SHAFT COMP REDUCTION	SHAFT COMP REDUCTION	1	
	28103	28103-LKM5-E00	GEAR B START REDUCTION	GEAR B START REDUCTION	1	
	28110	28110-LKA8-E00	GEAR COMP.STARTING CLUTCH	GEAR COMP.STARTING CLUTCH	1	
	28113	28113-LDB5-E00	BUSH 27*22	BUSH 27*22	1	
	28120	28120-KKE5-E0A	ONE WAY CLUTCH	ONE WAY CLUTCH	1	
	31110	31110-LKM8-900	FLYWHEEL COMP (D406)	FLYWHEEL COMP (D406)	1	
	31120	31120-LKA8-E0A	STATOR COMP (D406)	STATOR COMP (D406)	1	
	31210	31210-LKM5-E0A	MOTOR UNIT STARTER	MOTOR UNIT STARTER	1	
	32410	32410-LEE8-E00	CABLE STARTER MOTOR	CABLE STARTER MOTOR	1	
	90001	90001-GBHB-661	BOLT FLANGE SH 6*22	BOLT FLANGE SH 6*22	2	
	90071	90071-MLB0-001	NUT WASH 6MM	NUT WASH 6MM	2	
	90453	90453-LKM5-E00	WASHER 27.2*36*0.5	WASHER 27.2*36*0.5	1	
	91309	91309-4E25-004	O-RING 24.4*3.1	O-RING 24.4*3.1	1	
	92101	92101-05012-0G	BOLT HEX 5X12	BOLT HEX 5X12	1	

Starting Motor Generator

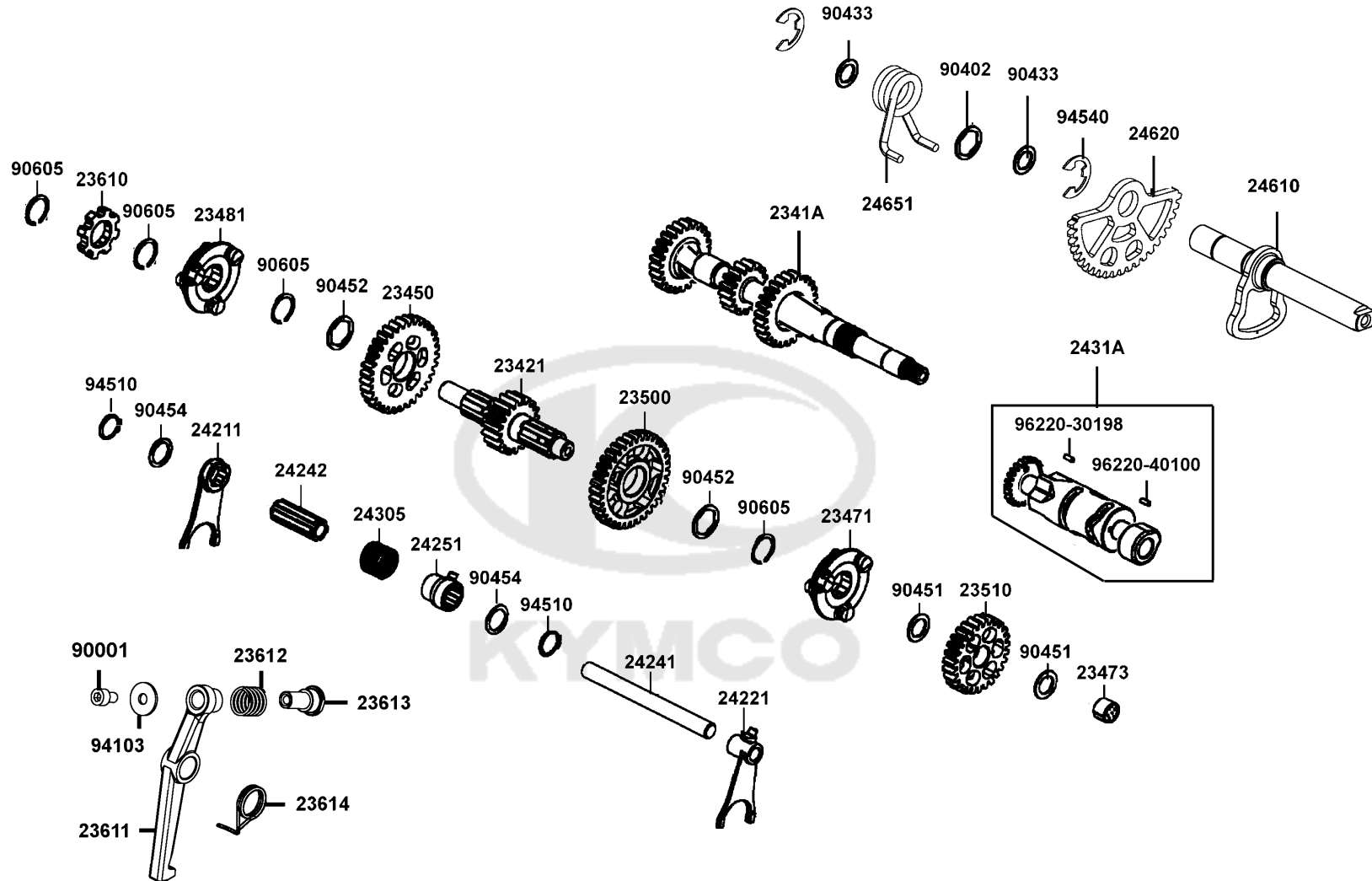


Sales mark	Ref no	Part no	Description	Reg description	Regd no	<b>E06</b>
94301		94301-08140	DOWEL PIN 8*14	DOWEL PIN 8*14	2	
94510		94510-10000	CIR CLIP EX 10MM	CIR CLIP EX 10MM	1	
96001-06012		96001-06012-06	BOLT FLANGE SH 6*12	BOLT FLANGE SH 6*12	1	
96001-06032		96001-06032-06	BOLT FLANGE 6*32	BOLT FLANGE 6*32	5	
96001-06035		96001-06035-06	BOLT FLANGE SH 6*35	BOLT FLANGE 6*35	2	
96001-06040		96001-06040-06	BOLT FLANGE SH 6*40	BOLT FLANGE SH 6*40	1	
96600		96600-08015-16	SOCKET BOLT 8X15	SOCKET BOLT 8X15	1	



E07

# Shaft Assy Drive Spindle Assy Drum Shift

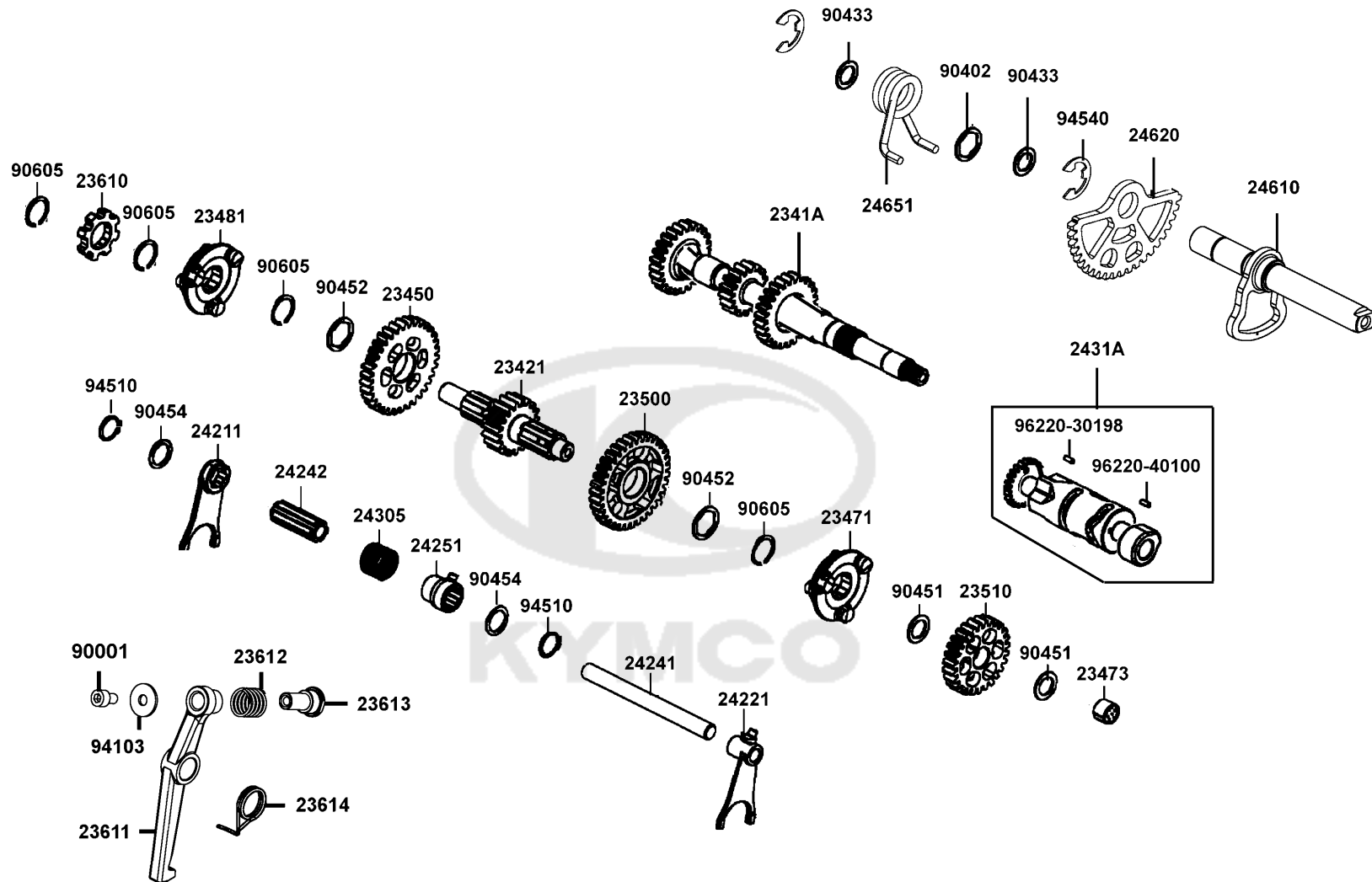


Sales mark	Ref no	Part no	Description	Reg description	Regd no	<b>E07</b>
2341A		2341A-LKM5-E00	SHAFT ASSY DRIVE	SHAFT ASSY DRIVE	1	
23421		23421-LEE8-E00	SHAFT COUNTER 19T	SHAFT COUNTER 19T	1	
23450		23450-LDB5-E00	GEAR COMP BACKWARD 2ST DRIVEN	GEAR COMP BACKWARD 2ST DRIVEN	1	
23471		23471-LDB5-E00	SHIFT FORWARD & LOWER	SHIFT FORWARD & LOWER	1	
23473		23473-LDB5-E00	COLLAR 20*17*14	COLLAR 20*17*14	1	
23481		23481-LDB5-E00	SHIFT BACKWARD	SHIFT BACKWARD	1	
23500		23500-LDB5-E00	GEAR COMP LOWER DRIVE	GEAR COMP LOWER DRIVE	1	
23510		23510-LDB5-900	GEAR FORWARD DRIVEN 27T	GEAR FORWARD DRIVEN 27T	1	
23610		23610-LDB5-E00	STOPPER PARK	STOPPER PARK	1	
23611		23611-LKM5-E00	ARM PARK	ARM PARK	1	
23612		23612-LDB5-E00	SPRING A PARK	SPRING A PARK	1	
23613		23613-LDB5-E00	GUIDE PARK	GUIDE PARK	1	
23614		23614-LDB5-E00	SPRING B PARK	SPRING B PARK	1	
24211		24211-LKM5-E00	FORK. RIGHT GEAR SHIFT	FORK. RIGHT GEAR SHIFT	1	
24221		24221-ZVA6-M00	FORK LEFT GEAR SHIFT	FORK LEFT GEAR SHIFT	1	
24241		24241-LKM5-E00	SHAFT GEAR SHIFT FORK GUIDE	SHAFT GEAR SHIFT FORK GUIDE	1	
24242		24242-LDB5-E00	COLLAR RIGHT FORK	COLLAR RIGHT FORK	1	
24251		24251-LDB5-E00	GUIDE RIGHT FORK	GUIDE RIGHT FORK	1	
24305		24305-LDB5-E00	SPRING RIGHT FORK	SPRING RIGHT FORK	1	
2431A		2431A-LKM5-E00	DRUM ASSY GEAR SHIFT	DRUM ASSY GEAR SHIFT	1	



E07

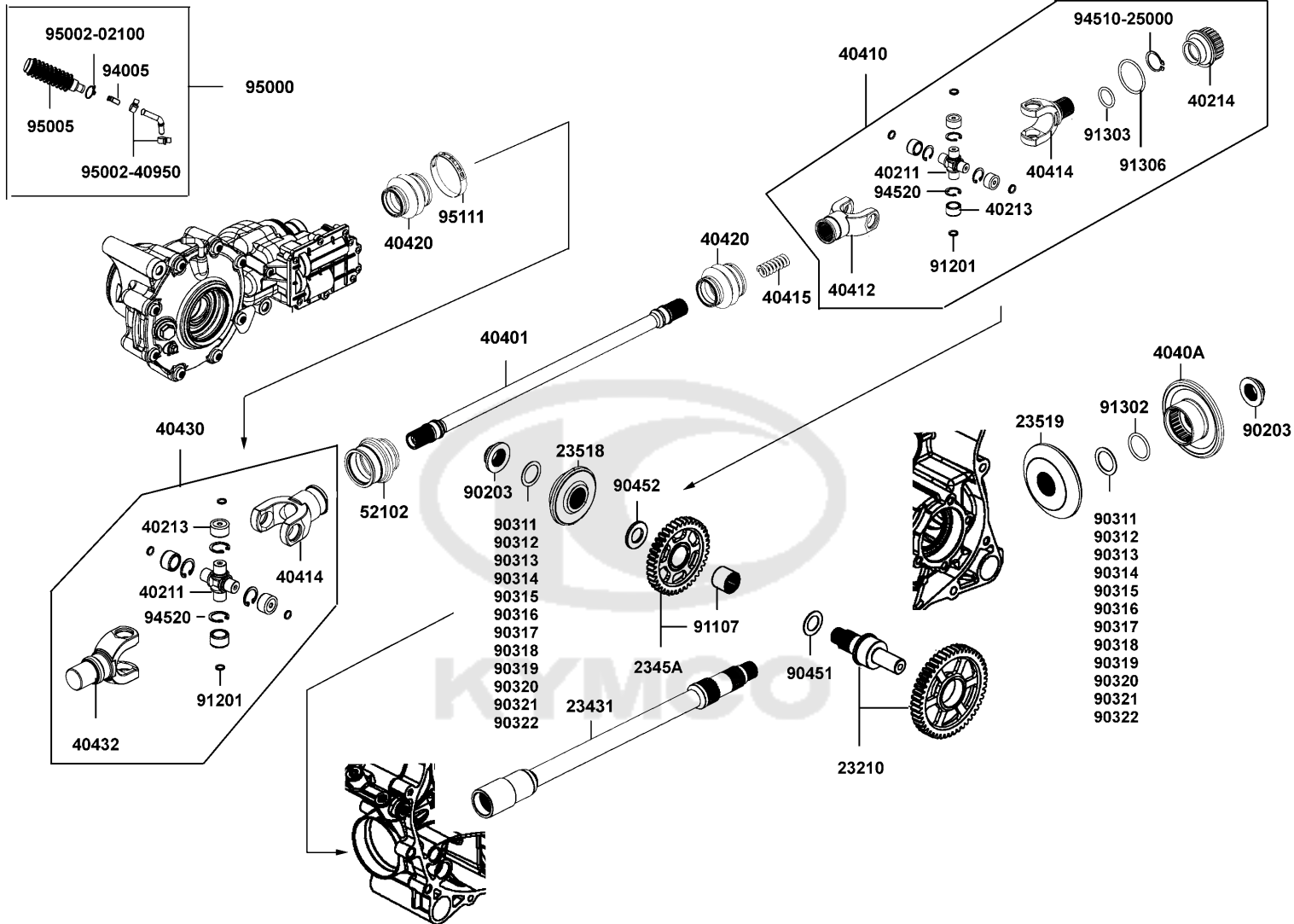
# Shaft Assy Drive Spindle Assy Drum Shift



Sales mark	Ref no	Part no	Description	Reg description	Regd no	<b>E07</b>
24610		24610-LKM8-E00	SPINDLE COMP DRUM SHIFT	SPINDLE COMP DRUM SHIFT	1	
24620		24620-LKM5-E00	PLATE COMP GEAR SHIFT	PLATE COMP GEAR SHIFT	1	
24651		24651-LKM5-E00	SPRING GEAR SHIFT RETURN	SPRING GEAR SHIFT RETURN	1	
90001		90001-GFY6-901	SOCKET BOLT 6*10 (B)	SOCKET BOLT 6*10 (B)	1	
90402		90402-LEA7-950	WASHER THRUST 14*28*2	WASHER THRUST 14*28*2	1	
90433		90433-KAE1-001	WASHER 14MM	WASHER 14MM	2	
90451		90451-LDB5-E00	WASHER THRUST 17MM	WASHER THRUST 17MM	2	
90452		90452-KED9-900	WASHER 25*31*1.5	WASHER 25*31*1.5	2	
90454		90454-1G07-001	WASHER THRUST 20MM B	WASHER THRUST 20MM B	2	
90605		90605-KED9-900	SET RING 28MM	SET RING 28MM	4	
94103		94103-06800	WASH PLAIN 6MM	WASH PLAIN 6MM	1	
94510		94510-20000	CIR CLIP EX 20	CIR CLIP EX 20	2	
94540		94540-12028	E RING 12	E RING 12	2	
96220-30198		96220-30198	ROLLER. 3*19.8	ROLLER. 3*19.8	1	
96220-40100		96220-40100	ROLLER 4*10	ROLLER 4*10	1	

E08

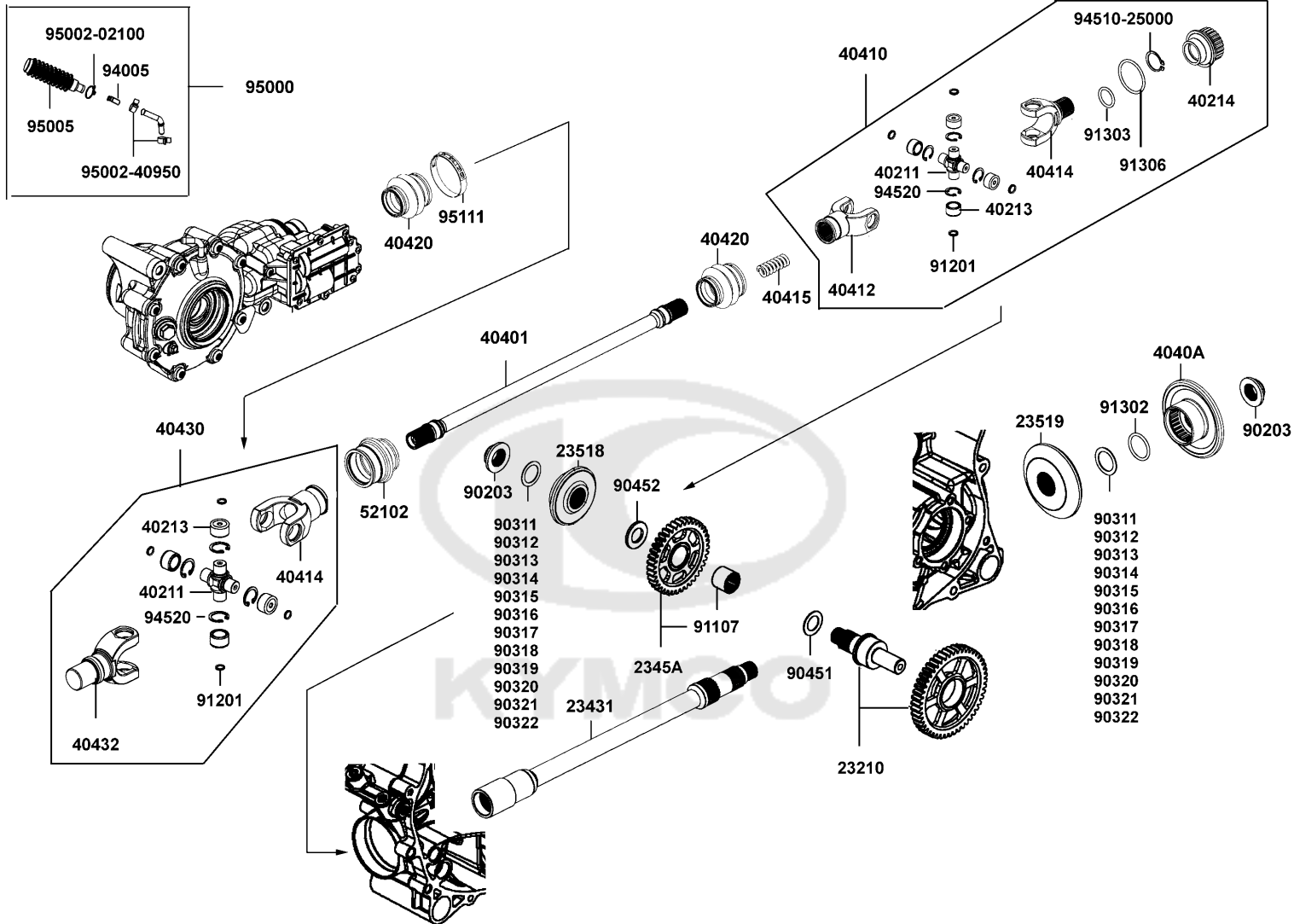
# Universal Joint Assy Eng



Sales mark	Ref no	Part no	Description	Reg description	Regd no	E08
23210		23210-LEE8-E00	SHAFT COMP MAIN	SHAFT COMP MAIN	1	
23431		23431-LDB5-E00	SHAFT FINAL	SHAFT FINAL	1	
2345A		2345A-LDB5-E00	GEAR COMP BACKWARD	GEAR COMP BACKWARD	1	
23518		23518-LKM5-E00	BEVEL GEAR DRIVE (18T)	BEVEL GEAR DRIVE (18T)	1	
23519		23519-LKM5-E00	BEVEL GEAR DRIVE (24T)	BEVEL GEAR DRIVE (24T)	1	
40211		40211-LCD9-E00	SPIDER YORK	SPIDER YORK	2	
40213		40213-LCD9-E00	BRG YORK 12*18*16	BRG YORK 12*18*16	8	
40214		40214-LEE8-E00	COUPLER UNIVERSAL JOINT	COUPLER UNIVERSAL JOINT	1	
40401		40401-LEE8-E00	SHAFT FRONT PROPELLER	SHAFT FRONT PROPELLER	1	
4040A		4040A-LDB5-E00	COUPLING RR PROPELLER	COUPLING RR PROPELLER	1	
40410		40410-LEE8-E00	UNIVERSAL JOINT ASSY ENG	UNIVERSAL JOINT ASSY ENG	1	
40412		40412-LEE8-E00	YORK A FR U JOINT	YORK A FR U JOINT	1	
40414		40414-LDB5-E00	YORK B FR U JOINT	YORK B FR U JOINT	1	
40415		40415-LDB5-E00	SPRING FR PROPELLER SHAFT	SPRING FR PROPELLER SHAFT	1	
40420		40420-LDB5-E00	BOOT FRONT PROPELLER	BOOT FRONT PROPELLER	2	
40430		40430-LEE8-E00	UNIVERSAL JOINT ASSY DIFF	UNIVERSAL JOINT ASSY DIFF	1	
40432		40432-LEE8-E00	YORK A DIFF U JOINT	YORK A DIFF U JOINT	1	
52102		52102-LEE8-E00	BOOT COUPLER	BOOT COUPLER	1	
90203		90203-LDB5-E00	NUT FLANGE 20MM	NUT FLANGE 20MM	2	
90311		90311-LDB5-E00	SHIM DRIVEN BEVEL GEAR A	SHIM DRIVEN BEVEL GEAR A (0.575~0.625)	2	

E08

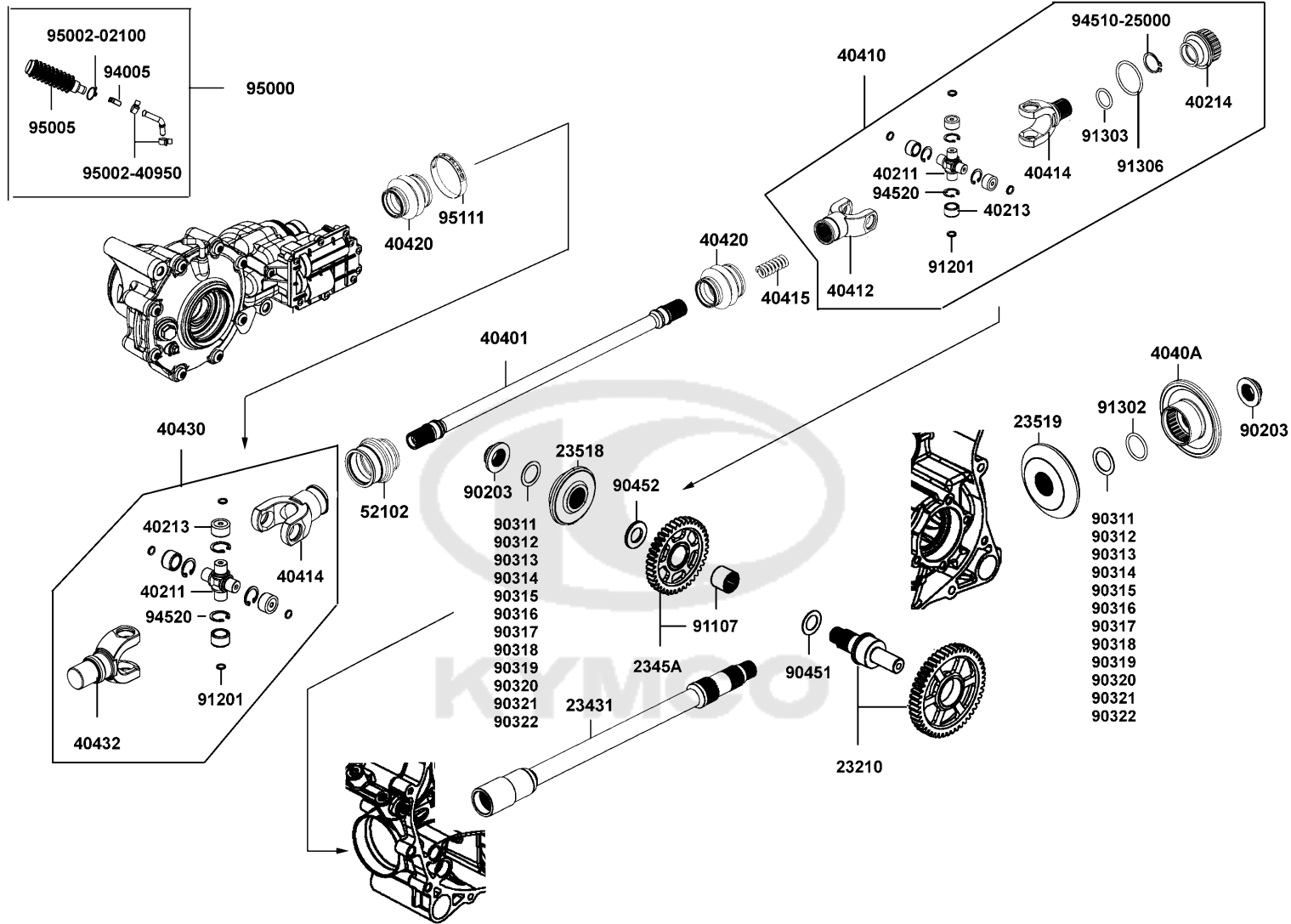
# Universal Joint Assy Eng



Sales mark	Ref no	Part no	Description	Reg description	Regd no	E08
	90312	90312-LDB5-E00	SHIM DRIVEN BEVEL GEAR B	SHIM DRIVEN BEVEL GEAR B (0.625~0.675)	2	
	90313	90313-LDB5-E00	SHIM DRIVEN BEVEL GEAR C	SHIM DRIVEN BEVEL GEAR C (0.675~0.725)	2	
	90314	90314-LDB5-E00	SHIM DRIVEN BEVEL GEAR D	SHIM DRIVEN BEVEL GEAR D (0.725~0.775)	2	
	90315	90315-LDB5-E00	SHIM DRIVEN BEVEL GEAR E	SHIM DRIVEN BEVEL GEAR E (0.775~0.825)	2	
	90316	90316-LDB5-E00	SHIM DRIVEN BEVEL GEAR F	SHIM DRIVEN BEVEL GEAR F (0.825~0.875)	2	
	90317	90317-LDB5-E00	SHIM DRIVEN BEVEL GEAR G	SHIM DRIVEN BEVEL GEAR G (0.875~0.925)	2	
	90318	90318-LDB5-E00	SHIM DRIVEN BEVEL GEAR H	SHIM DRIVEN BEVEL GEAR H (0.925~0.975)	2	
	90319	90319-LDB5-E00	SHIM DRIVEN BEVEL GEAR I	SHIM DRIVEN BEVEL GEAR I (0.975~1.025)	2	
	90320	90320-LDB5-E00	SHIM DRIVEN BEVEL GEAR J	SHIM DRIVEN BEVEL GEAR J (1.025~1.075)	2	
	90321	90321-LDB5-E00	SHIM DRIVEN BEVEL GEAR K	SHIM DRIVEN BEVEL GEAR K (1.075~1.125)	2	
	90322	90322-LDB5-E00	SHIM DRIVEN BEVEL GEAR L	SHIM DRIVEN BEVEL GEAR L (1.125~1.175)	2	
	90451	90451-LBA7-900	WASHER THRUST 20MM	WASHER THRUST 20MM	1	
	90452	90452-LDB5-E00	WASHER THRUST 20*36*3	WASHER THRUST 20*36*3	1	
	91107	91107-LDB5-E00	BRG NEEDLE 20*28*23	BRG NEEDLE 20*28*23	1	
	91201	91201-LCD9-E00	OIL SEAL 13*17.5*4.5	OIL SEAL 13*17.5*4.5	8	
	91302	91302-LDB5-E00	O-RING 22MM	O-RING 22MM	1	
	91303	91303-LDB5-E00	O-RING 22MM	O-RING 22MM	1	
	91306	91306-LDB5-E00	O-RING 41MM	O-RING 41MM	1	
	94005	94005-PWB1-900	HOSE BARB INTAKE MANIFOLD	HOSE BARB INTAKE MANIFOLD	1	
	94510-25000	94510-25000	CIR CLIP EXTERNAL 25	CIR CLIP EXTERNAL 25	1	

E08

# Universal Joint Assy Eng

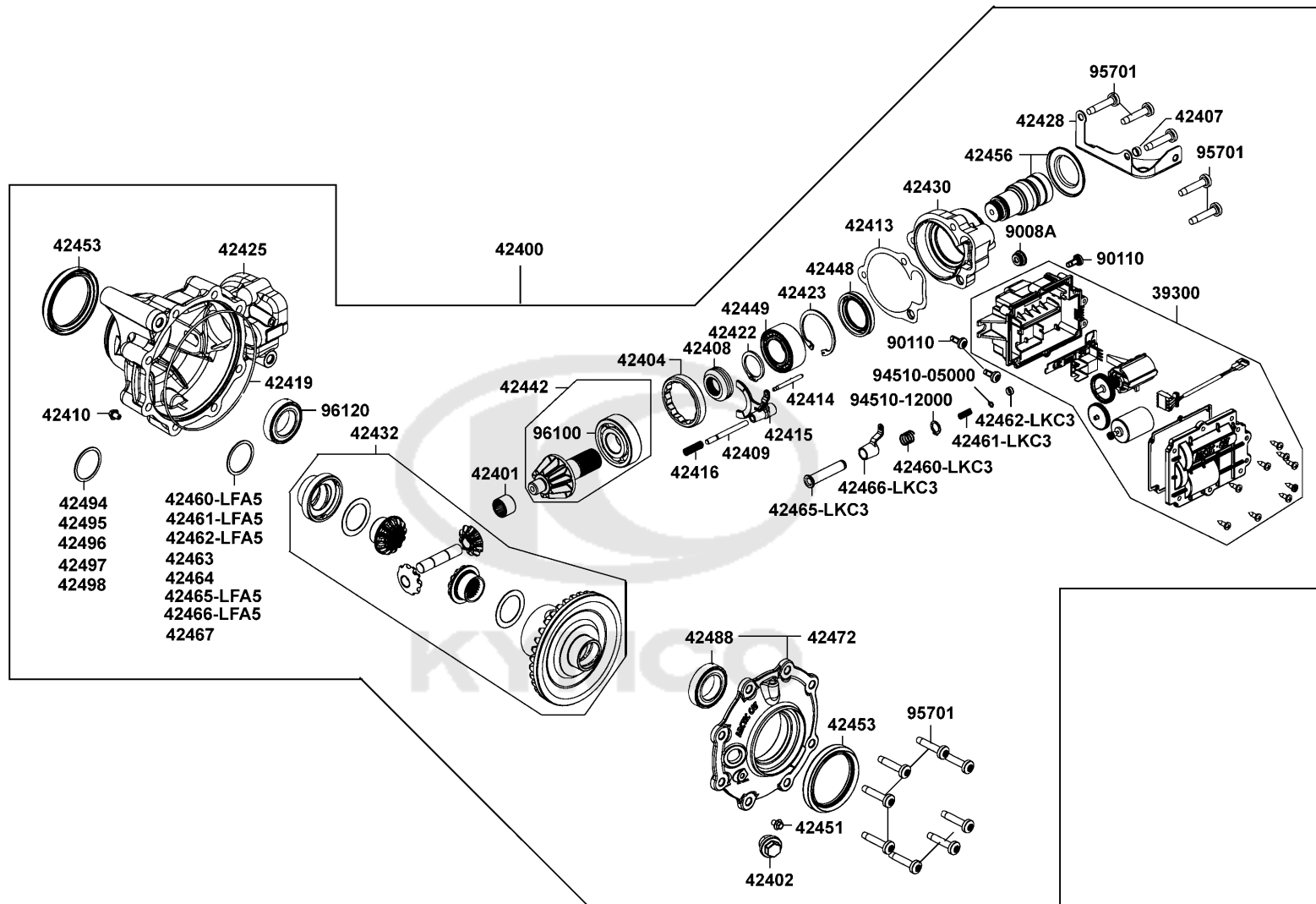


Sales mark	Ref no	Part no	Description	Reg description	Regd no	<b>E08</b>
94520		94520-19000	CIR CLIP IN 19	CIR CLIP IN 19	8	
95000		95000-LEE8-E00	HOSE VENT-GEARCASE(55.5mm)	HOSE VENT-GEARCASE(55.5mm)	1	
95002-02100		95002-02100	CLIP B15 TUBE	CLIP B15 TUBE	1	
95002-40950		95002-40950-08	CLAMP D9.5 TUBE	CLAMP D9.5 TUBE	2	
95005		95005-PWB1-900	BREATH TUBE RR GEAR ASSY	BREATH TUBE RR GEAR ASSY	1	
95111		95111-PWB1-900	CLAMP BOOT	CLAMP BOOT	1	



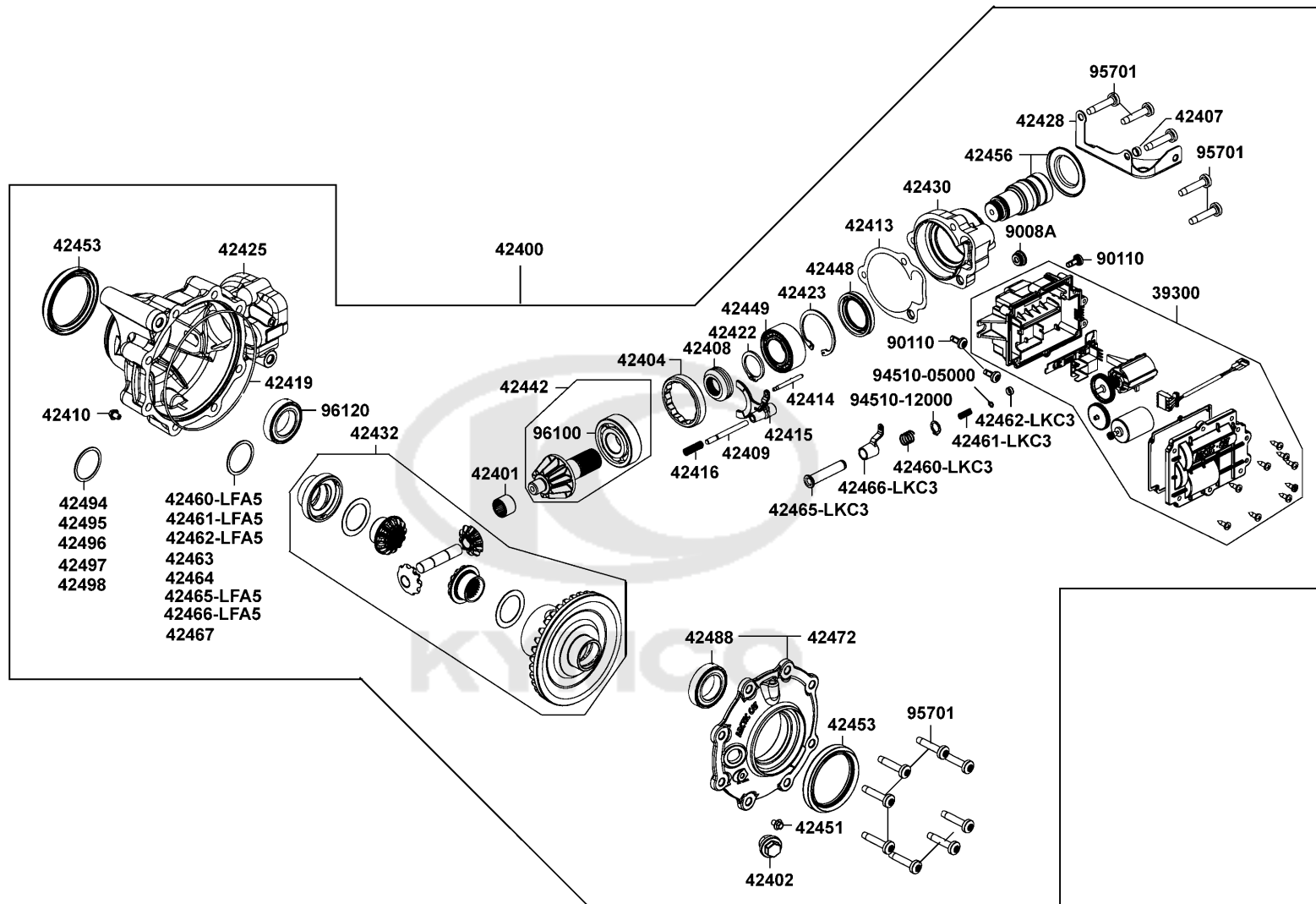


Gearcase Fr Assy



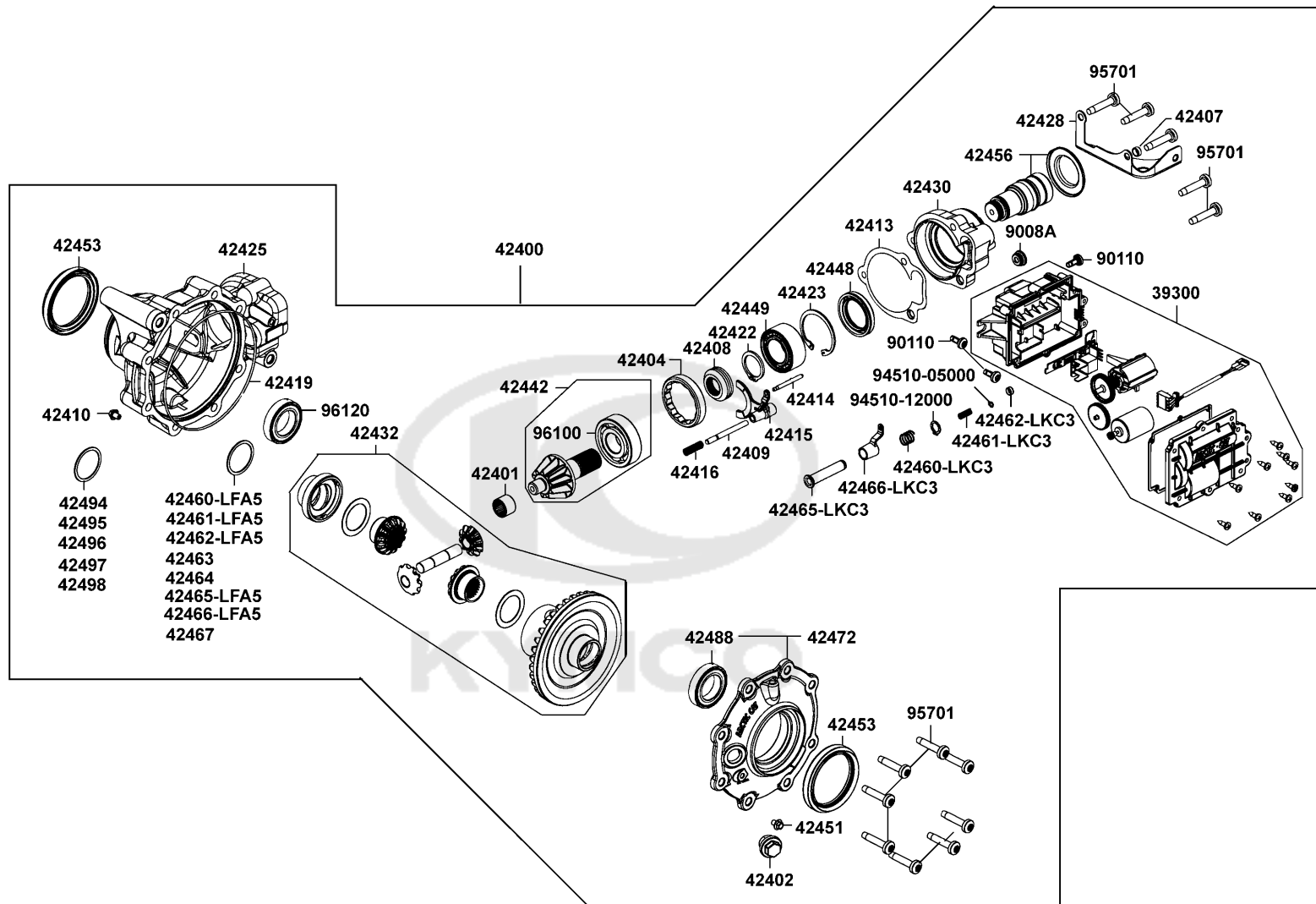
Sales mark	Ref no	Part no	Description	Reg description	Regd no	<b>E09</b>
39300		39300-LKC3-500	ACTUATOR 2x4-LOCK ASSY	ACTUATOR	1	
42400		42400-LKC3-500	E-LOCK GEARCASE FRONT 3.6	E-LOCK GEARCASE FRONT 3.6	1	
42401		42401-LFA5-900	BEARING NEEDLE	BEARING NEEDLE	1	
42402		42402-LFA5-900	PLUG FILL	PLUG FILL	1	
42404		42404-LFA5-900	COLLAR LOCK M64X1.5 RH	COLLAR LOCK M64X1.5 RH	1	
42407		42407-LFA5-900	PIN DOWEL	PIN DOWEL	1	
42408		42408-LKC3-500	COUPLER DRIVE	COUPLER DRIVE	1	
42409		42409-LKC3-500	SHAFT E-LOCK SELECTOR	SHAFT E-LOCK SELECTOR	1	
42410		42410-LFA5-900	PLUG DRAIN MAG	PLUG DRAIN MAG	1	
42413		42413-LKC3-500	GASKET FLANGE	GASKET FLANGE	1	
42414		42414-LKC3-500	SHAFT.,SELECTOR	SHAFT SELECTOR	1	
42415		42415-LKC3-500	FORK SELECTOR	FORK SELECTOR	1	
42416		42416-LKC3-500	COLLAR ACTUATOR	COLLAR ACTUATOR	1	
42419		42419-LKC3-500	GASKET HOUSING	GASKET HOUSING	1	
42422		42422-LFA5-900	RING RETAINING ONE	RING RETAINING ONE	1	
42423		42423-LFA5-900	RING RETAINING	RING RETAINING	1	
42425		42425-LKC3-500	HOUSING GEARCASE-FRONT MACH	HOUSING GEARCASE-FRONT MACH	1	
42428		42428-LKC3-500	BRACKET ACTUATOR-WELDMENT	BRACKET ACTUATOR-WELDMENT	1	
42430		42430-LKC3-500	HOUSING PINION-MACH	HOUSING PINION-MACH	1	
42432		42432-LEE8-810	E-LOCK.OPEN TYPE GEARCASE	E-LOCK.OPEN TYPE GEARCASE	1	

Gearcase Fr Assy



Sales mark	Ref no	Part no	Description	Reg description	Regd no	E09
	42442	42442-LKC3-500	PINION(10 TOOTH)-ASSEMBLY	PINION(10 TOOTH)-ASSEMBLY	1	
	42448	42448-LFA5-900	SEAL 38*55*14	SEAL 38*55*14	1	
	42449	42449-LFA5-900	BEARING BALL DOUBLE ROW	BEARING BALL DOUBLE ROW	1	
	42451	42451-LFA5-900	PLUG OIL LEVEL	PLUG OIL LEVEL	1	
	42453	42453-LGC3-900	OIL SEAL 48*84*9	OIL SEAL 48*84*9	2	
	42456	42456-LKM8-510	SHAFT INPUT ASSEMBLY	SHAFT INPUT ASSEMBLY	1	
	42460-LFA5	42460-LFA5-900	SHIM 41*49*1.0	SHIM 41*49*1.0	1	
	42460-LKC3	42460-LKC3-500	SPRING A E-LOCK	SPRING A E-LOCK	1	
	42461-LFA5	42461-LFA5-900	SHIM 41*49*1.1	SHIM 41*49*1.1	1	
	42461-LKC3	42461-LKC3-500	SPRING B E-LOCK	SPRING B E-LOCK	1	
	42462-LFA5	42462-LFA5-900	SHIM 41*49*1.2	SHIM 41*49*1.2	1	
	42462-LKC3	42462-LKC3-500	CAP E-LOCK	CAP E-LOCK	1	
	42463	42463-LFA5-900	SHIM 41*49*1.3	SHIM 41*49*1.3	1	
	42464	42464-LFA5-900	SHIM 41*49*1.4	SHIM 41*49*1.4	1	
	42465-LFA5	42465-LFA5-900	SHIM 41*49*1.5	SHIM 41*49*1.5	1	
	42465-LKC3	42465-LKC3-500	SHAFT SELECTOR	SHAFT SELECTOR	1	
	42466-LFA5	42466-LFA5-900	SHIM 41*49*1.6	SHIM 41*49*1.6	1	
	42466-LKC3	42466-LKC3-500	STAY..SELECTOR	STAY..SELECTOR	1	
	42467	42467-LFA5-900	SHIM 41*49*1.7	SHIM 41*49*1.7	1	
	42472	42472-LKM8-500	COVER LOCK ASSEMBLY	COVER LOCK ASSEMBLY	1	

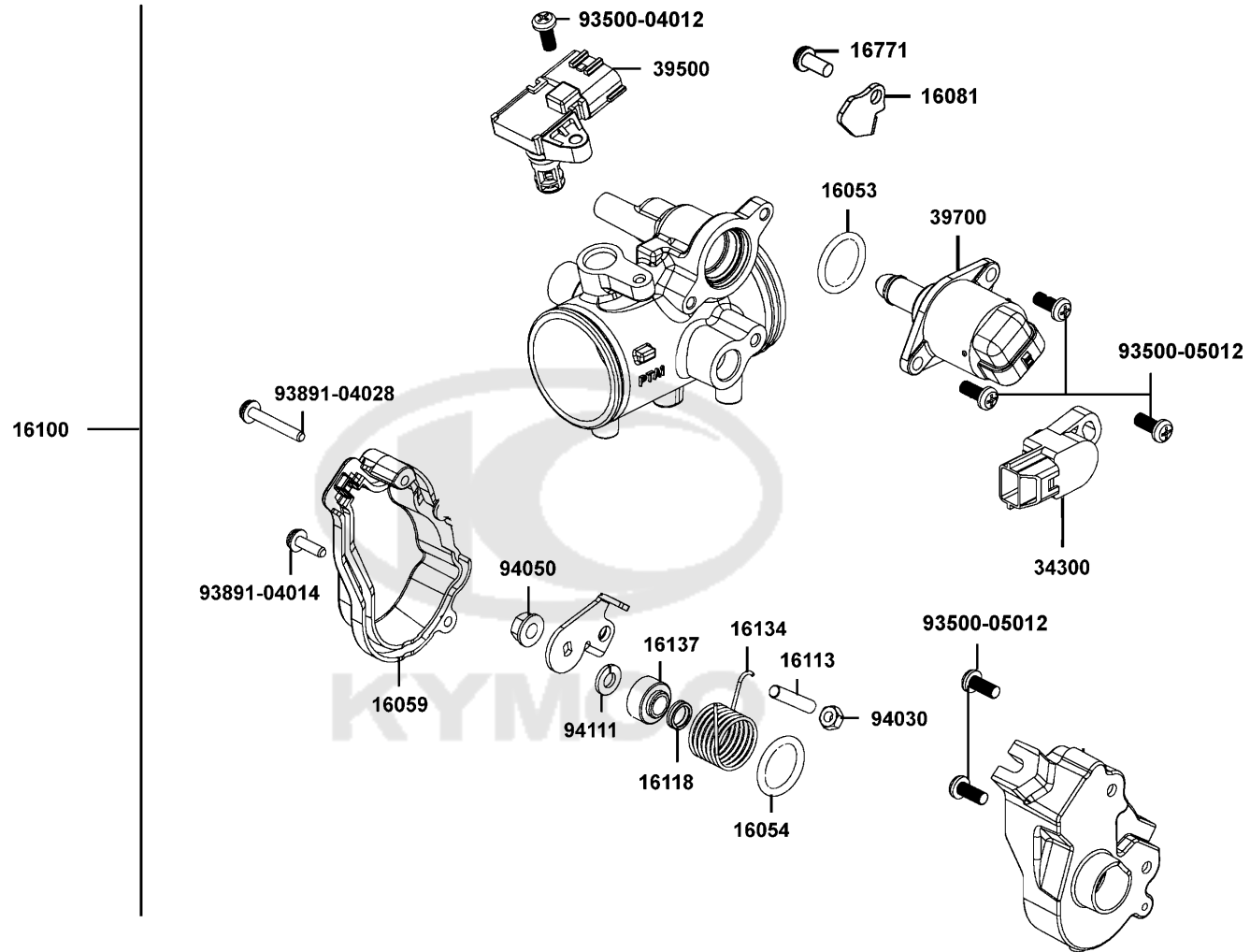
# Gearcase Fr Assy



Sales mark	Ref no	Part no	Description	Reg description	Regd no	<b>E09</b>
42488		42488-LEE8-E00	BEARING BALL	BEARING BALL	1	
42494		42494-LEE8-E00	SHIM 61*69*1.3mm	SHIM 61*69*1.3mm	1	
42495		42495-LEE8-E00	SHIM 61*69*1.4mm	SHIM 61*69*1.4mm	1	
42496		42496-LEE8-E00	SHIM 61*69*1.5mm	SHIM 61*69*1.5mm	1	
42497		42497-LEE8-E00	SHIM 61*69*1.6mm	SHIM 61*69*1.6mm	1	
42498		42498-LEE8-E00	SHIM 61*69*1.7 mm	SHIM 61*69*1.7 mm	1	
9008A		9008A-LKC3-500	CAP ASSY E-LOCK	CAP ASSY E-LOCK	1	
90110		90110-LFA5-900	BOLT SPECIAL 6X12	BOLT SPECIAL 6X12	3	
94510-05000		94510-05000	CIR CLIP EX5	CIR CLIP EX5	3	
94510-12000		94510-12000	CIR CLIP EXTERNAL 12	CIR CLIP EXTERNAL 12	1	
95701		95701-08040-06	BOLT FLANGE 8x40 (G)	BOLT FLANGE 8x40 (G)	1	
96100		96100-63050-00	BRG BALL RADIAL 6305	BRG BALL RADIAL 6305	1	
96120		96120-60080-00	BEARING BALL 6008Z	BEARING BALL 6008Z	1	

E10

THROTTLE BODY, ASSY.

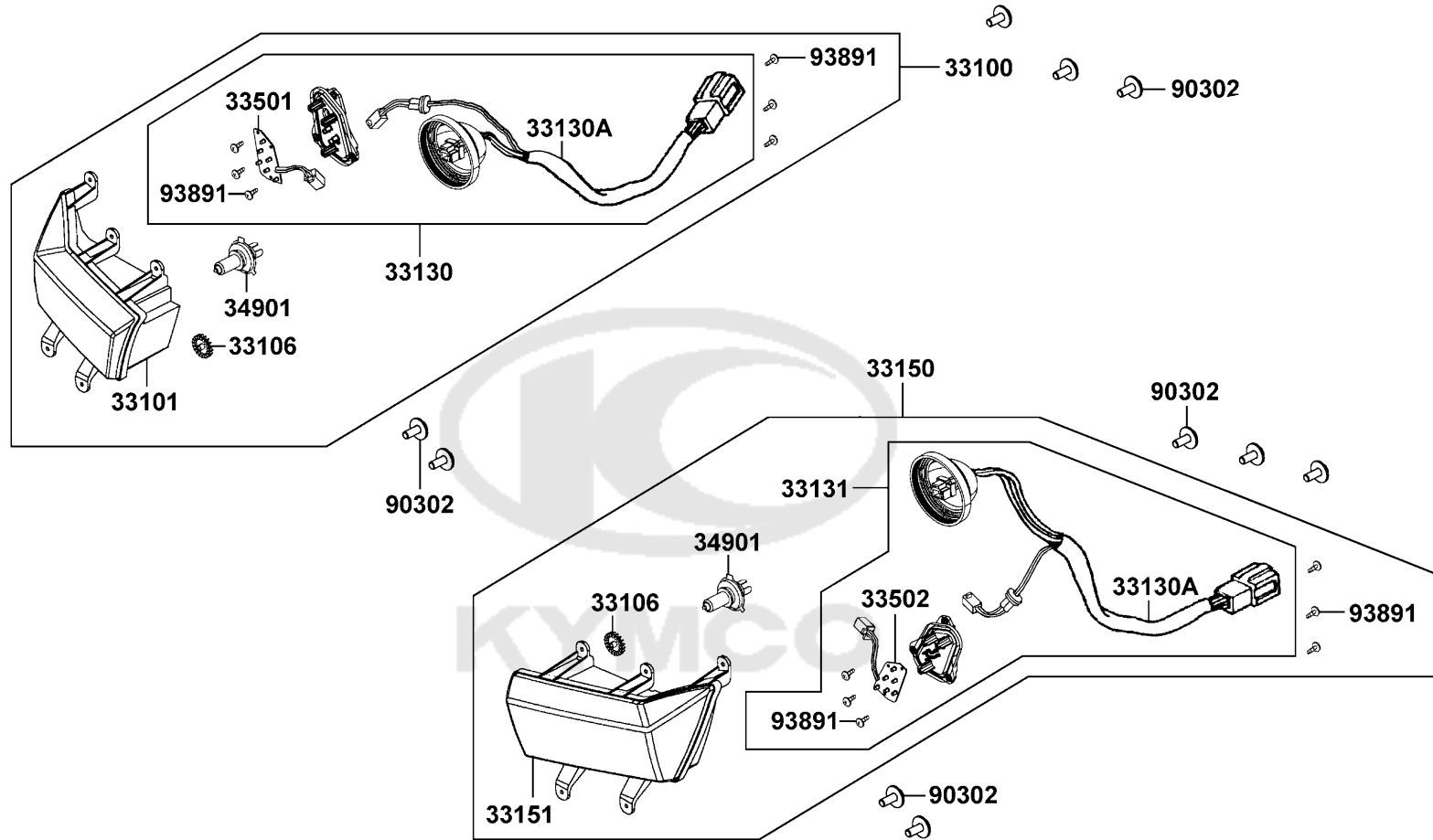


Sales mark	Ref no	Part no	Description	Reg description	Regd no	E10
	16053	16053-PTA1-800	SEAL	SEAL	1	
	16054	16054-PTA1-800	OIL RING	OIL RING	1	
**	16059	16059-LDB5-E00	COVER WIRE STAY	COVER WIRE STAY	1	
	16081	16081-LKM8-E00	STOPPER DRUM THROTTLE	STOPPER DRUM THROTTLE	1	
	16100	16100-LKM8-E00	THROTTLE BODY ASSY	THROTTLE BODY ASSY	1	
	16113	16113-PTA1-800	PILOT SCREW	PILOT SCREW	1	
	16118	16118-LBF2-900	SEAL THROTTLE SHAFT	SEAL THROTTLE SHAFT	1	
	16134	16134-LDB5-E00	SPG THROTTLE SHAFT	SPG THROTTLE SHAFT	1	
	16137	16137-PTA1-800	COLLAR LEVER	COLLAR LEVER	1	
	16771	16771-PTA1-E00	SCREW-WASHE M5X12	SCREW-WASHE M5X12	1	
	34300	34300-LKM8-E00	THROTTLE. POSITION SENSOR	THROTTLE. POSITION SENSOR	1	
	39500	39500-PTA1-800	SENSOR T-MAP	SENSOR T-MAP	1	
	39700	39700-PTA1-800	BY PASS VALVE IDLE AIR	BY PASS VALVE IDLE AIR	1	
	93500-04012	93500-04012-0F	SCREW PAN 4*12	SCREW PAN 4*12	1	
	93500-05012	93500-05012-0F	SCREW PAN 5X12	SCREW PAN 5X12	1	
	93891-04014	93891-04014-06	SCREW WASHER 4X14	SCREW WASHER 4X14	2	
	93891-04028	93891-04028-06	SCREW WASHER 4X28	SCREW WASHER 4X28	1	
	94030	94030-PTA1-800	NUT HEX 5mm	NUT HEX 5mm	1	
	94050	94050-06080	NUT FLANGE 6MM	NUT FLANGE 6MM	1	
	94111	94111-06800	WASHER SPRING 6MM	WASHER SPRING 6MM	1	



F01

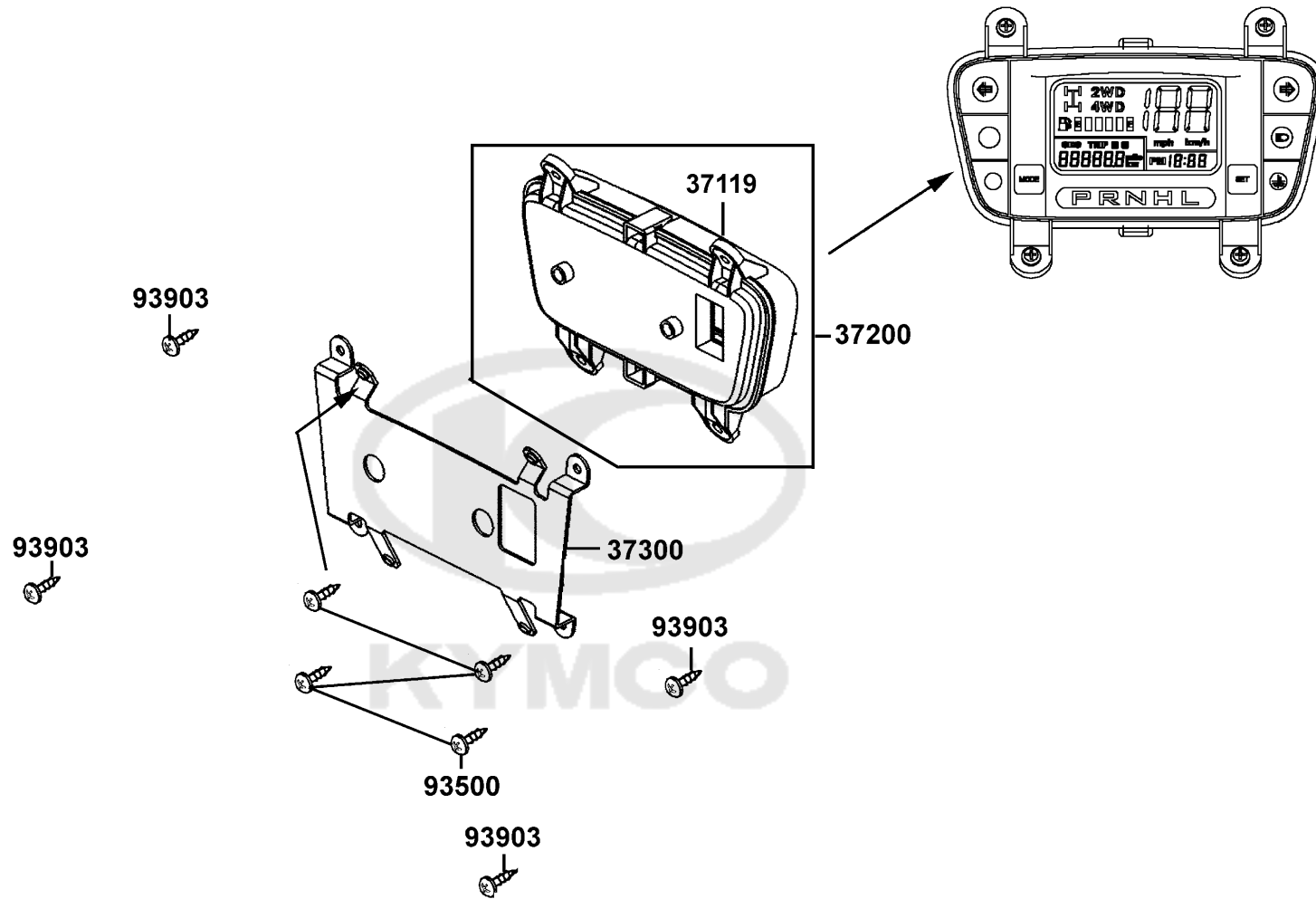
# Head Light



Sales mark	Ref no	Part no	Description	Reg description	Regd no	F01
	33100	33100-ALC1-E00	LIGHT ASSY..HEAD	LIGHT ASSY R HEAD	1	
	33101	33101-ALC1-E00	UNIT HEAD R LIGHT	UNIT HEAD R LIGHT	1	
	33106	33106-ALC1-E00	TURNTABLE ADJUST	TURNTABLE ADJUST	1	
	33130	33130-ALC1-305	SOCKET R UNIT	SOCKET R UNIT	1	
	33130A	33130-ALC1-E00	SOCKET UNIT	SOCKET UNIT	1	
	33131	33131-ALC1-305	SOCKET L UNIT	SOCKET L UNIT	1	
	33150	33150-ALC1-E00	LIGHT ASSYHEADL/H	LIGHT ASSY L HEAD	1	
	33151	33151-ALC1-E00	UNIT HEAD L LIGHT	UNIT HEAD L LIGHT	1	
	33501	33501-ALC1-E00	BULB R POSITION LIGHT	BULB R POSITION LIGHT	1	
	33502	33502-ALC1-E00	BULB L POSITION LIGHT	BULB L POSITION LIGHT	1	
	34901	34901-KFA6-900	BULB HEAD LIGHT	BULB HEAD LIGHT (HSI 12V 35/35W)	2	
	90302	90302-GFY6-940	BOLT-WASH 5*16	BOLT-WASH 5*16	10	
	93891	93891-ALC1-E00	SCREW TAPPING	SCREW TAPPING	12	

F02

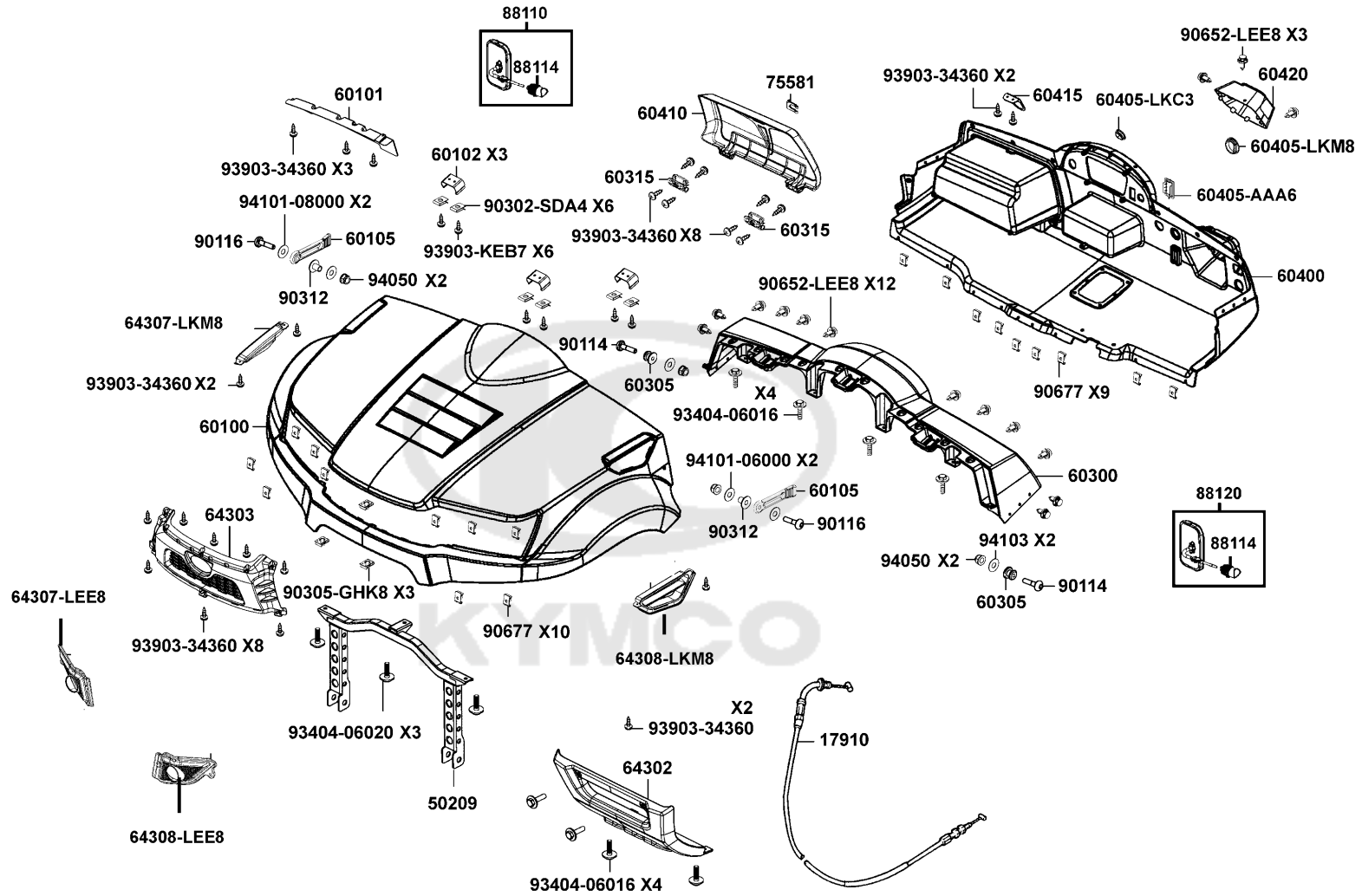
Speed Meter



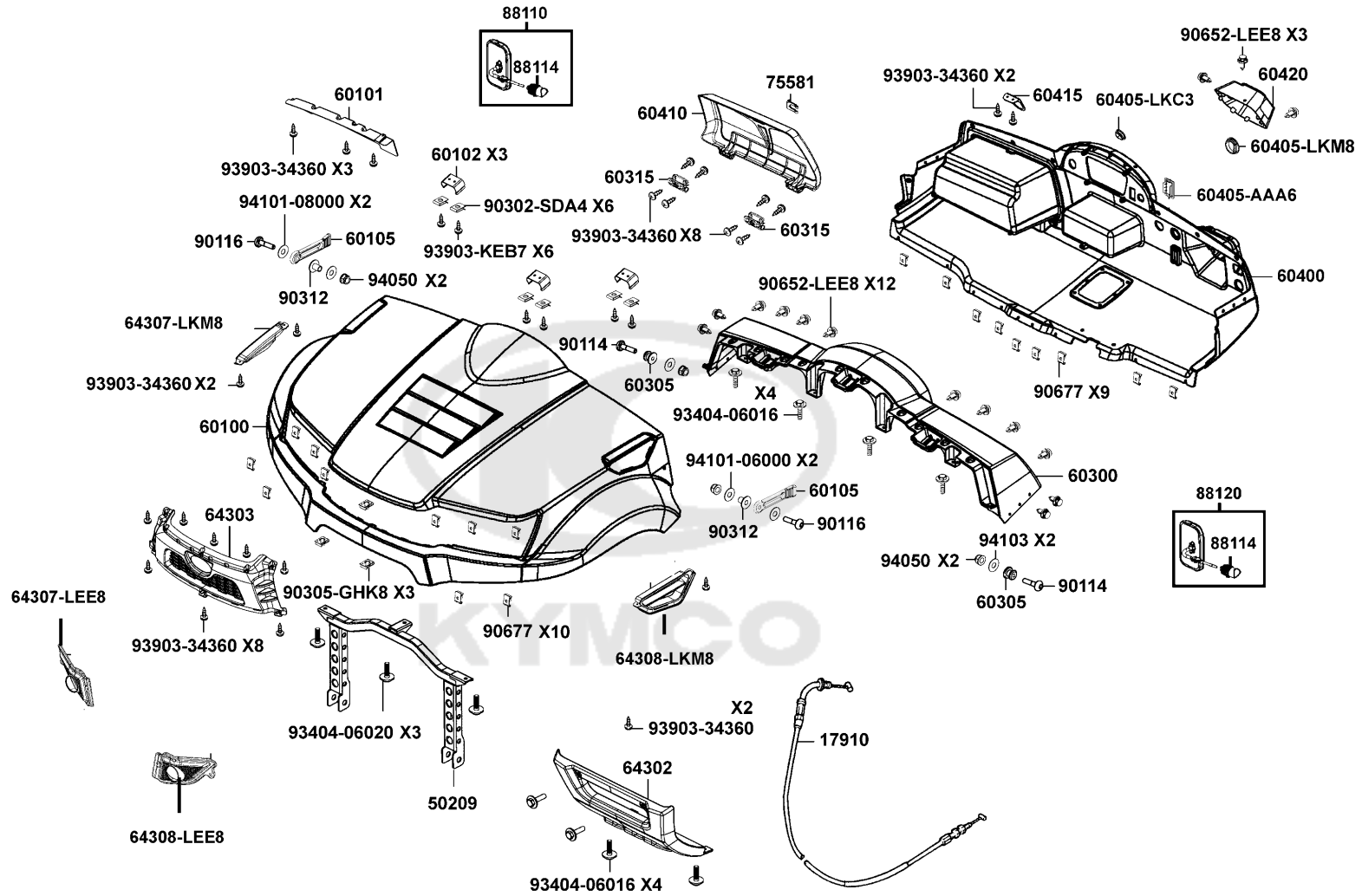
Sales mark	Ref no	Part no	Description	Reg description	Regd no	<b>F02</b>
------------	--------	---------	-------------	-----------------	---------	------------

37119		37119-LKC3-E00	LENS ASSY	LENS ASSY	1	
37200		37200-LKM8-E00	DIGITAL GAUGE	DIGITAL GAUGE	1	
37300		37300-LEE8-E0B	STAY METER	STAY METER	1	
93500		93500-05010-0F	SCREW PAN 5X10	SCREW PAN 5X10	2	
93903		93903-35360	SCREW TAPPING 5*16	SCREW TAPPING 5*16	4	



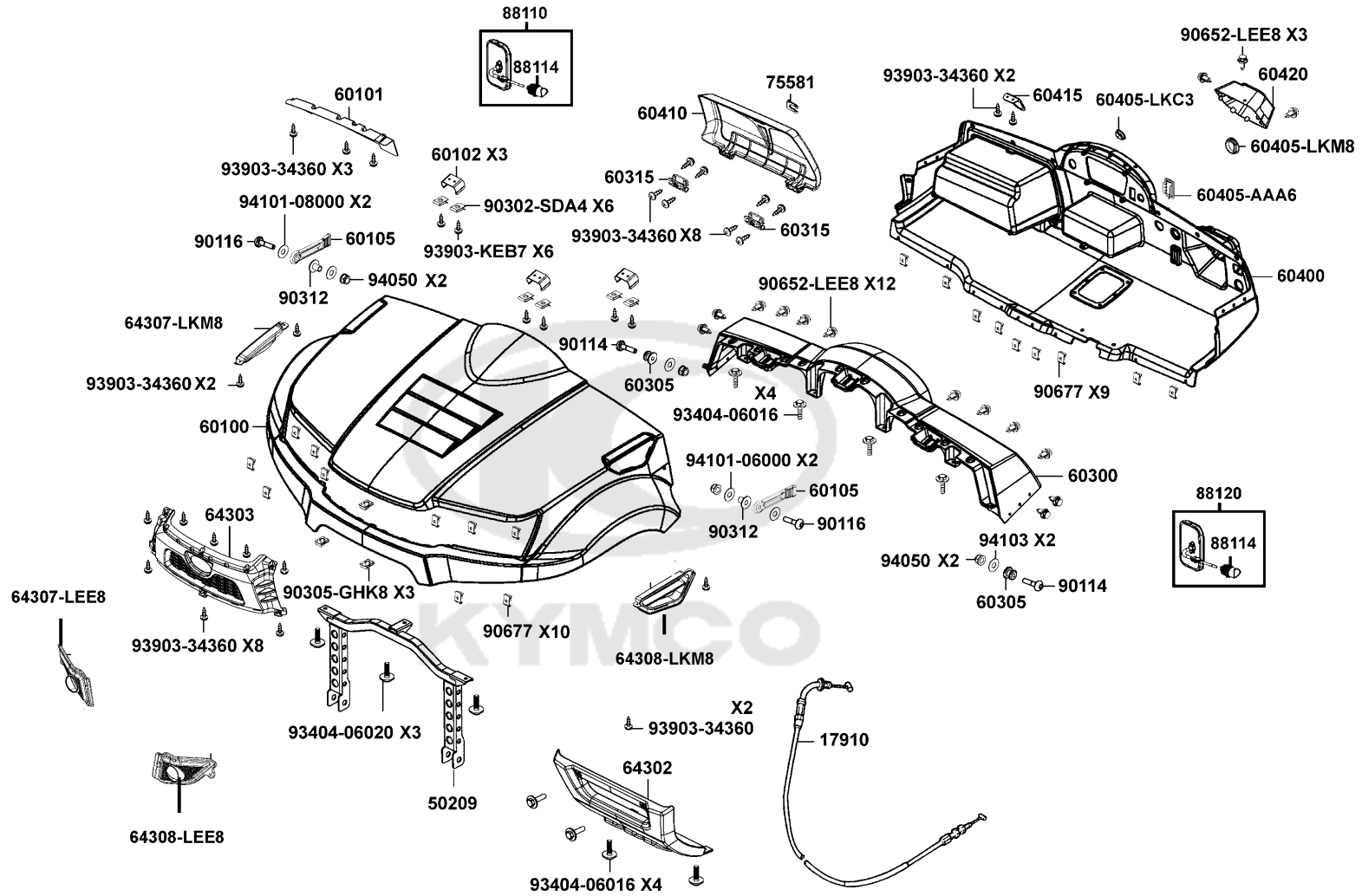


Sales mark	Ref no	Part no	Description	Reg description	Regd no	F03
	17910	17910-LKM8-700	CABLE COMP. THROT	CABLE COMP THROT	1	
	50209	50209-LKM8-700	BRKT FRONT FENDER	BRKT FRONT FENDER	1	
**	60100	60100-LKM8-900	FENDER FRONT	FENDER FRONT	1	
**	60101	60101-LKM8-900	PLATE SPLASH GUARD	PLATE SPLASH GUARD	1	
	60102	60102-LKM8-900	CLIP FENDER	CLIP FENDER	3	
	60105	60105-LEE8-E00	LATCH FR FENDER	LATCH FR FENDER	2	
**	60300	60300-LKM8-900	TOP COVER FRONT PANEL	TOP COVER FRONT PANEL	1	
	60305	60305-LEE8-E00	LATCH HOLDER	LATCH HOLDER	2	
	60315	60315-LEE8-E00	HINGE LID	HINGE LID	2	
**	60400	60400-AGA5-M00	PANEL FRONT	PANEL FRONT	1	
	60405-AAA6	60405-AAA6-900	CAP COVER	CAP COVER	1	
	60405-LKC3	60405-LKC3-E00	GROMMET.CHOCK HOLE	GROMMET.CHOCK HOLE	1	
	60405-LKM8	60405-LKM8-900	GROMMET COVER	GROMMET COVER	1	
**	60410	60410-LEE8-E01	LID GLOVE BOX	LID GLOVE BOX	1	
	60415	60415-LEE8-E00	BRACKET COVER	BRACKET COVER	1	
**	60420	60420-LEE8-E01	CAP FRONT PANEL	CAP FRONT PANEL	1	
**	64302	64302-LEE8-E01	COVER FRONT BUMPER	COVER FRONT BUMPER	1	
**	64303	64303-LKM8-900	GRILL FRONT	GRILL FRONT	1	
**	64307-LEE8	64307-LEE8-E01	COVER R WINKER	COVER R WINKER	1	
**	64307-LKM8	64307-LKM8-900	TRIM R FRONT	TRIM R FRONT	1	



Sales mark	Ref no	Part no	Description	Reg description	Regd no	F03
**	64308-LEE8	64308-LEE8-E01	COVER L WINKER	COVER L WINKER	1	
**	64308-LKM8	64308-LKM8-900	TRIM L FRONT	TRIM L FRONT	1	
	75581	75581-KBCB-900	SET SPG LOCK KEY	SET SPG LOCK KEY	1	
	88110	88110-LKC3-E00	MIRROR ASSY. R BACK	MIRROR ASSY. R BACK	1	
	88114	88114-LKC3-E00	BOOTS.MIRROR	BOOTS.MIRROR	2	
	88120	88120-LKC3-E00	MIRROR ASSY.L BACK	MIRROR ASSY.L BACK	1	
	90114	90114-LBA2-E00	SCREW PAN 6*30	SCREW PAN 6*30	2	
	90116	90116-KED9-900	SCREW PAN 6*24	SCREW PAN 6*24	2	
	90302-SDA4	90302-SDA4-004	NUT SPRING 4MM	NUT SPRING 4MM	6	
	90305-GHK8	90305-GHK8-001	NUT CLIP 6MM	NUT CLIP 6MM	3	
	90312	90312-LEE8-E00	COLLAR LATCH	COLLAR LATCH	2	
	90652-LEE8	90652-LEE8-E00	RIVET	RIVET	15	
	90677	90677-GAR1-004	NUT CLIP 5MM	NUT CLIP 5MM	19	
	93404-06016	93404-06016-06	BOLT WASHER 6*16	BOLT WASHER 6*16	8	
	93404-06020	93404-06020-06	BOLT WASHER 6*20 (G)	BOLT WASHER 6X20	3	
	93903-34360	93903-34360	SCREW TAPPING 4X12	SCREW TAPPING 4X12	25	
	93903-KEB7	93903-KEB7-900-06	SCREW WASHER 4*12 (G)	SCREW WASHER 4X12	6	
	94050	94050-PWA2-900	NUT LOCK	NUT LOCK	4	
	94101-06000	94101-06000	WASHER PLAIN 6MM	WASHER PLAIN 6MM	2	
	94101-08000	94101-08000	WASHER PLAIN 8MM	WASHER PLAIN 8MM	2	





Sales mark	Ref no	Part no	Description	Reg description	Regd no	<b>F03</b>
------------	--------	---------	-------------	-----------------	---------	------------

94103

94103-06800

WASH PLAIN 6MM

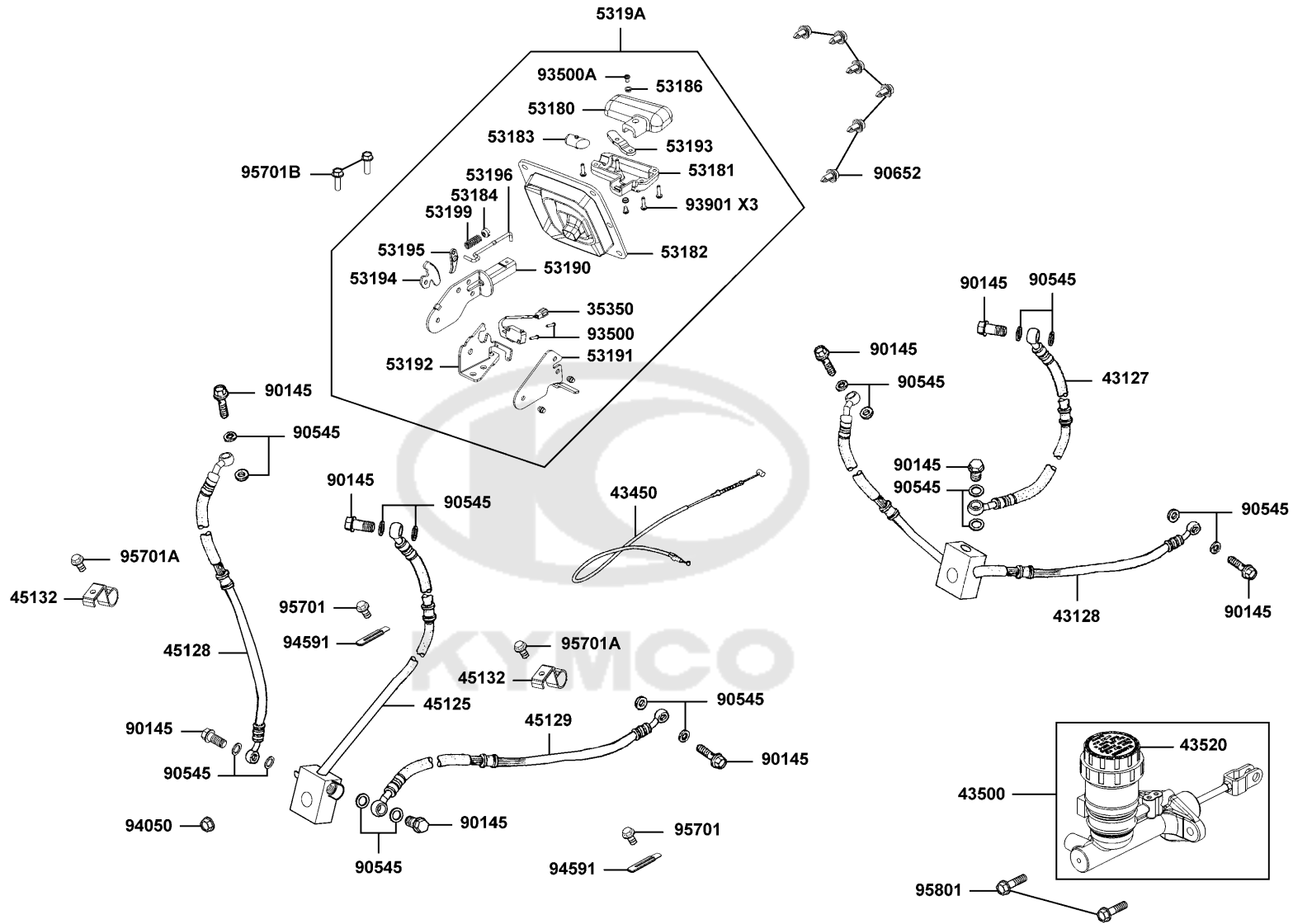
WASH PLAIN 6MM

2



F04

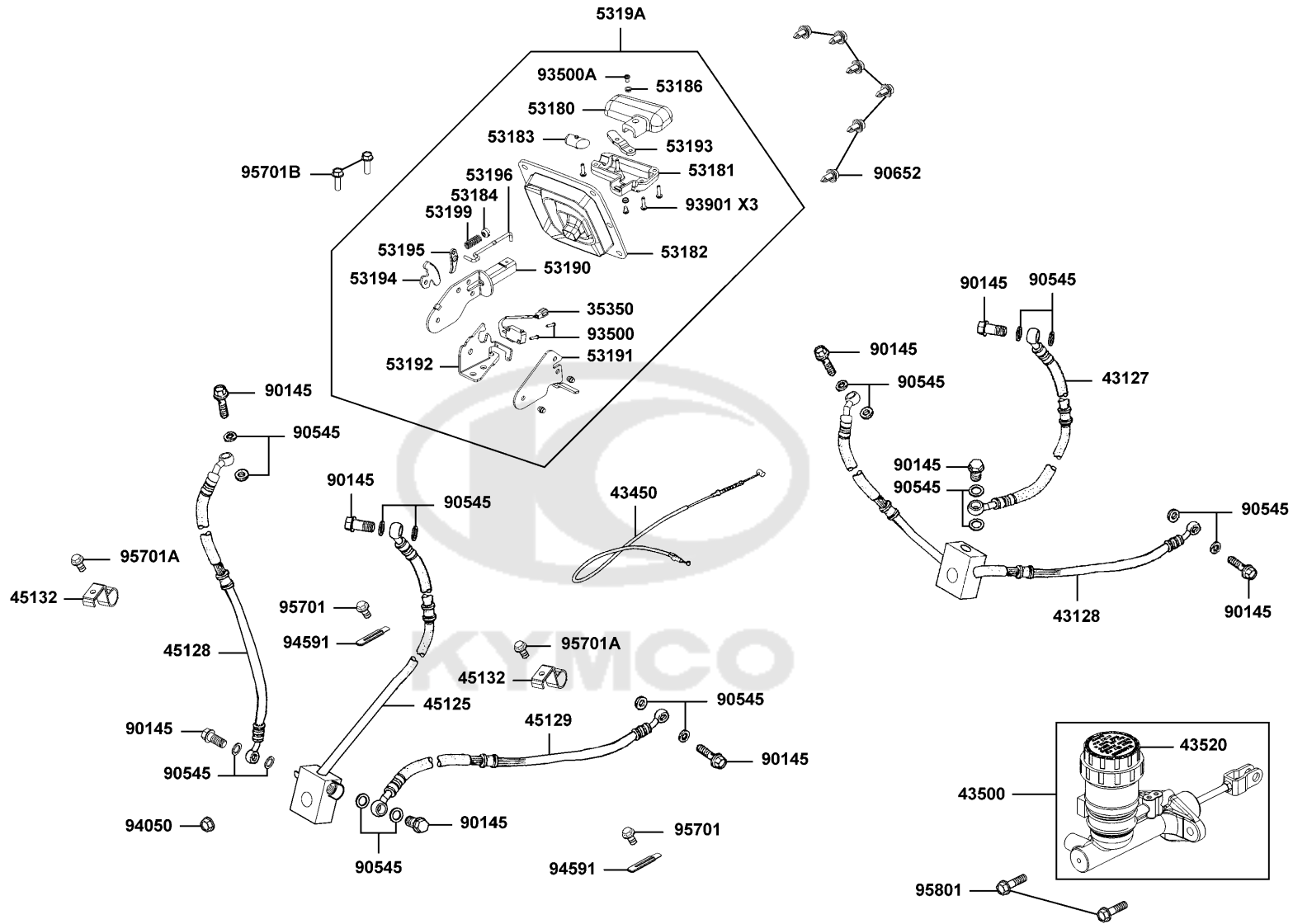
# Hose Assy Rr Brk



Sales mark	Ref no	Part no	Description	Reg description	Regd no	F04
35350		35350-LEE8-E00	SWITCH ASSY	SWITCH ASSY	1	
43127		43127-LKM8-700	HOSE ASSY RR BRAKE	HOSE ASSY RR BRAKE	1	
43128		43128-LKM8-700	HOSE ASSY RR BRAKE	HOSE ASSY RR BRAKE	1	
43450		43450-LKM8-710	CABLE PARKING BRAKE	CABLE PARKING BRAKE	1	
43500		43500-LEE8-E00	MASTER CYLINDER ASSY	MASTER CYLINDER ASSY	1	
43520		43520-LEE8-305	CAP SET	CAP SET	1	
45125		45125-LEE8-E00	HOSE ASSY M/C FR BRK	HOSE ASSY M/C FR BRK	1	
45128		45128-LKM8-900	HOSE COMP FR BRK R (C/P)	HOSE COMP FR BRK R (C/P)	1	
45129		45129-LKM8-900	HOSE COMP FR BRK L (C/P)	HOSE COMP FR BRK L (C/P)	1	
45132		45132-LBA7-900	CLAMPER FR BRAKE HOSE	CLAMPER FR BRAKE HOSE	2	
53180		53180-LBA2-E00	GRIP UPPER HAND BRK	GRIP UPPER HAND BRK	1	
53181		53181-LBA2-E00	GRIP UNDER HAND BRK	GRIP UNDER HAND BRK	1	
53182		53182-LEE8-E00	DUST SEAL PARKING BRK	DUST SEAL PARKING BRK	1	
53183		53183-LBA2-E00	BUTTON HAND BRK	BUTTON HAND BRK	1	
53184		53184-LBA2-E00	GUIDE SPRING	GUIDE SPRING	1	
53186		53186-LEE8-E00	SPACER	SPACER	2	
53190		53190-LBA2-E00	ARM COMP HAND BRK	ARM COMP HAND BRK	1	
53191		53191-LBA2-E00	ARM PLATE	ARM PLATE	1	
53192		53192-LEE8-E00	BRKT HAND BRK	BRKT HAND BRK	1	
53193		53193-LBA2-E00	LINKER HAND BRK	LINKER HAND BRK	1	

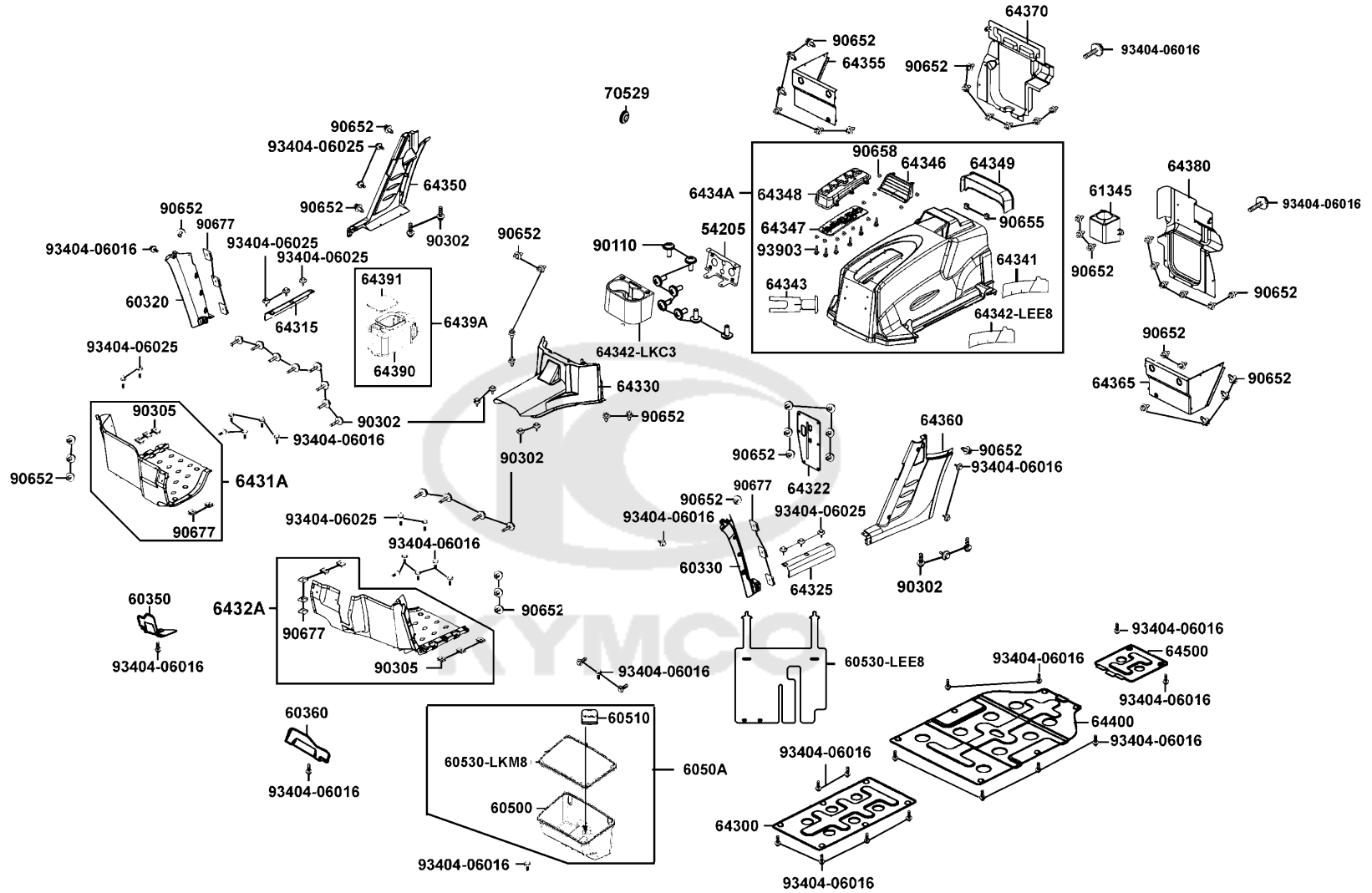
F04

# Hose Assy Rr Brk



Sales mark	Ref no	Part no	Description	Reg description	Regd no	F04
	53194	53194-LBA2-E00	RATCH HAND BRK	RATCH HAND BRK	1	
	53195	53195-LBA2-E00	DRIVEN GEAR	DRIVEN GEAR	1	
	53196	53196-LBA2-E00	DRIVEN LINKER	DRIVEN LINKER	1	
	53199	53199-LBA2-E00	SPRING RETURN	SPRING RETURN	1	
	5319A	5319A-LKM8-M00	BRAKE ASSY PARKING	BRAKE ASSY PARKING	1	
	90145	90145-LEA3-E00	OIL BOLT 10*22	OIL BOLT 10*22	1	
	90545	90545-3L00-001	WASHER OIL BOLT	WASHER OIL BOLT	18	
	90652	90652-LEE8-E00	RIVET	RIVET	6	
	93500	93500-03014-1A	SCREW PAN 3*14	SCREW PAN 3*14	2	
	93500A	93500-04006-1G	SCREW PAN 4*6	SCREW PAN 4*6	2	
	93901	93901-24560	SCREW TAPPING 4*20	SCREW TAPPING 4*20	3	
	94050	94050-08060	NUT FLANGE 8MM	NUT FLANGE 8MM	1	
	94591	94591-KFBF-900	CLIP 2*70	CLIP 2*70	2	
	95701	95701-06010-06	BOLT FLANGE 6*10	BOLT FLANGE 6*10	2	
	95701A	95701-06012-06	BOLT FLANGE 6*12 **07 C.2005.07.01	BOLT FLANGE 6X12	2	
	95701B	95701-08016-06	BOLT FLANGE 8*16	BOLT FLANGE 8*16	2	
	95801	95801-08028-06	BOLT FLANGE 8*28	BOLT FLANGE 8*28	2	

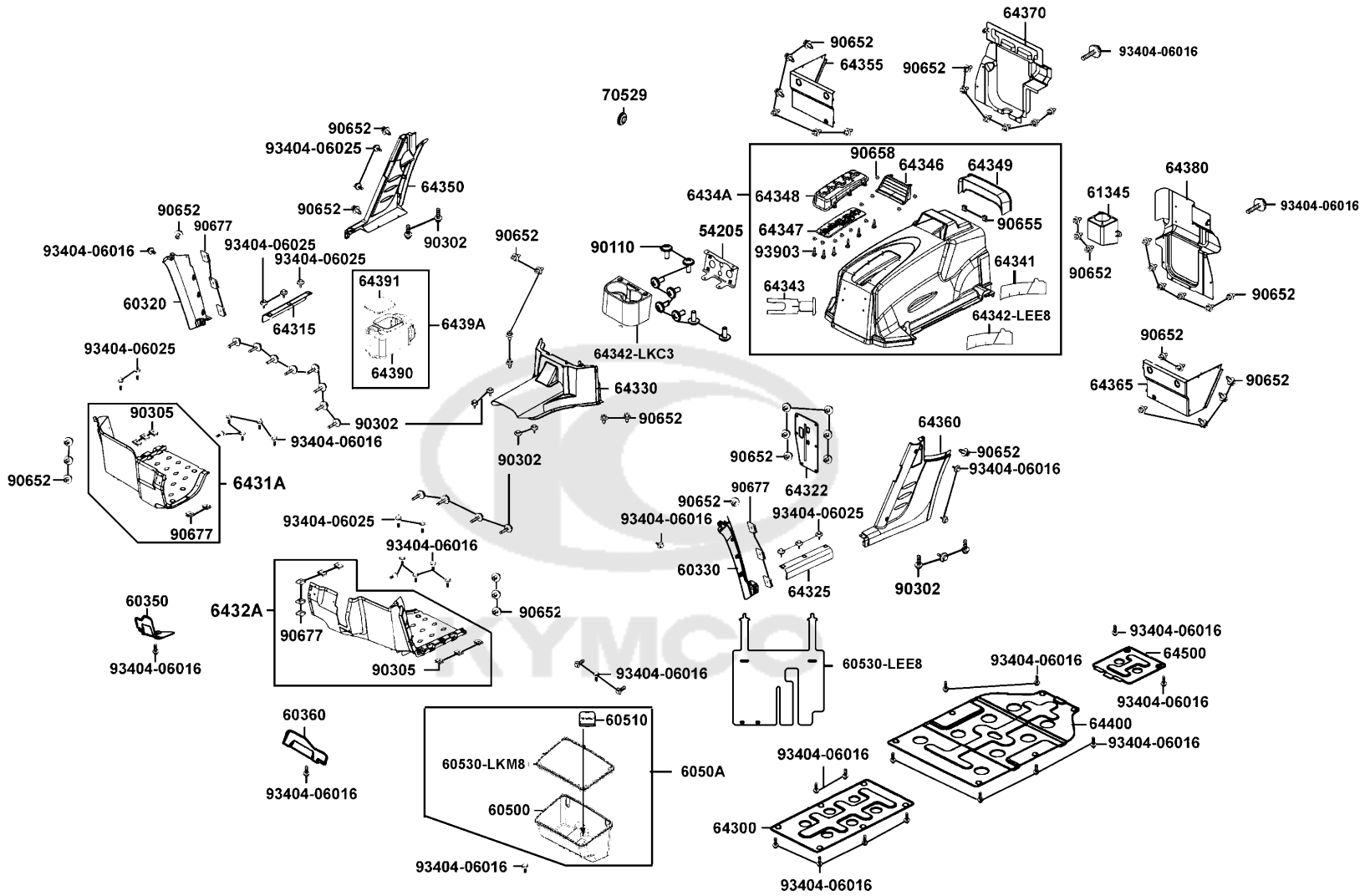
Box Assy Luggage Panel Assy R/L Footrest



Sales mark	Ref no	Part no	Description	Reg description	Regd no	F05
	54205	54205-LKC3-900	STAY DRINK HOLDER	STAY DRINK HOLDER	1	
**	60320	60320-LEE8-E01	SIDE PANEL R FRONT	SIDE PANEL R FRONT	1	
**	60330	60330-LEE8-E01	SIDE PANEL L FRONT	SIDE PANEL L FRONT	1	
**	60350	60350-LEE8-E01	GUARD R BOOT (MAT BLACK)	GUARD R BOOT (MAT BLACK)	1	
**	60360	60360-LEE8-E01	GUARD L BOOT (MAT BLACK)	GUARD L BOOT (MAT BLACK)	1	
**	60500	60500-LKM8-900	BOX LUGGAGE	BOX LUGGAGE	1	
**	6050A	6050A-LKM8-900	BOX ASSY LUGGAGE	BOX ASSY LUGGAGE	1	
	60510	60510-LKM8-900	COVER MASTER CYLINDER	COVER MASTER CYLINDER	1	
	60530-LEE8	60530-LEE8-E00	PLATE SPLASH GUARD	PLATE SPLASH GUARD	1	
	60530-LKM8	60530-LKM8-900	CAP LUGGAGE BOX	CAP LUGGAGE BOX	1	
**	61345	61345-LEE8-E00	CHAMBER L COVER DUCT B	CHAMBER L COVER DUCT B	1	
**	64300	64300-LEE8-E01	COVER UNDER	COVER UNDER	1	
**	64315	64315-LEE8-E01	SIDE PANEL R FOOTREST	SIDE PANEL R FOOTREST	1	
**	6431A	6431A-LEE8-E01	PANEL ASSY R FOOTREST	PANEL ASSY R FOOTREST	1	
	64322	64322-LEE8-E00	PLATE PEDAL	PLATE PEDAL	1	
**	64325	64325-LEE8-E01	SIDE PANEL L FOOTREST	SIDE PANEL L FOOTREST	1	
**	6432A	6432A-LEE8-E01	PANEL ASSY L FOOTREST	PANEL ASSY L FOOTREST	1	
**	64330	64330-AGA5-M00	COVER TUNNEL	COVER TUNNEL	1	
	64341	64341-LEE8-E00	SHIELD R HEAT	SHIELD R HEAT	1	
	64342-LEE8	64342-LEE8-E00	SHIELD L HAET	SHIELD L HAET	1	



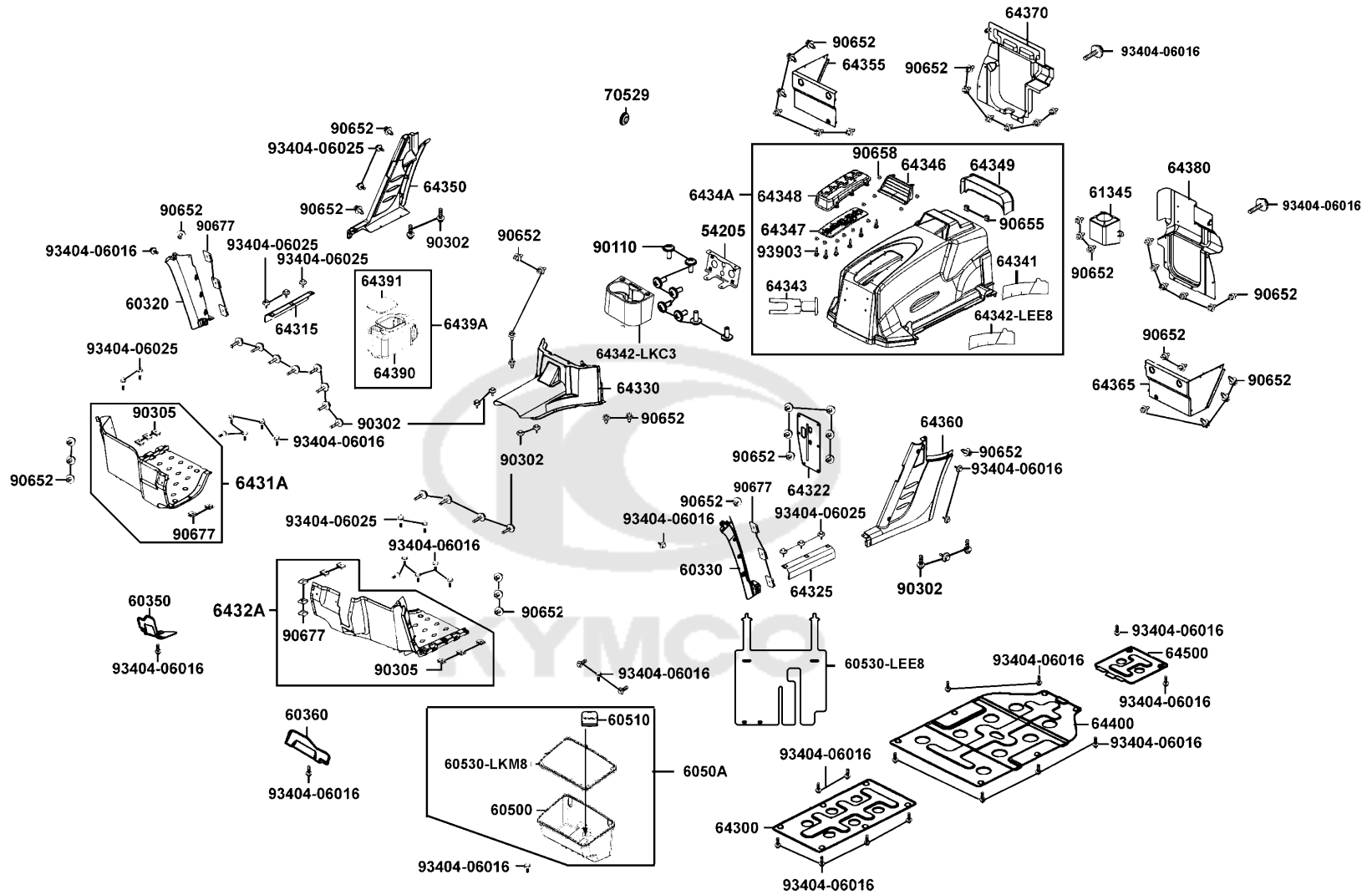
Box Assy Luggage Panel Assy R/L Footrest



Sales mark	Ref no	Part no	Description	Reg description	Regd no	F05
**	64342-LKC3	64342-LKC3-900	HOLDER DRINK	HOLDER DRINK	1	
	64343	64343-LEE8-E00	SHIELD HAET	SHIELD HAET	1	
	64346	64346-LEE8-E01	GRILLE CENTER COVER	GRILLE CENTER COVER	1	
	64347	64347-LKM8-900	PLATE SHIFT LEVER	PLATE SHIFT LEVER	1	
**	64348	64348-LKM8-900	COVER SHIFT LEVER	COVER SHIFT LEVER	1	
	64349	64349-LEE8-900	COVER PROTECTOR	COVER PROTECTOR	1	
**	6434A	6434A-LKM8-900	COVER ASSY ARMREST	COVER ASSY ARMREST	1	
**	64350	64350-LEE8-E01	PANEL R SIDE	PANEL R SIDE	1	
**	64355	64355-LEE8-E01	SUPPORT R SIDE PANEL	SUPPORT R SIDE PANEL	1	
**	64360	64360-LEE8-E01	PANEL L SIDE	PANEL L SIDE	1	
**	64365	64365-LEE8-E01	SUPPORT L SIDE PANEL	SUPPORT L SIDE PANEL	1	
**	64370	64370-LEE8-E01	PROTECTOR FUEL TANK	PROTECTOR FUEL TANK	1	
**	64380	64380-LEE8-E01	PROTECTOR SIDE	PROTECTOR SIDE	1	
**	64390	64390-LEE8-E00	BOX LUGGAGE	BOX LUGGAGE	1	
	64391	64391-LEE8-E01	CAP LUGGAGE BOX	CAP LUGGAGE BOX	1	
**	6439A	6439A-LEE8-E01	BOX ASSY LUGGAGE	BOX ASSY LUGGAGE	1	
**	64400	64400-LEE8-E01	GUARD ENGINE	GUARD ENGINE	1	
**	64500	64500-LEE8-E01	GUARD BOOT	GUARD BOOT	1	
	70529	70529-6G57-671	GROM B SIDE PNL	GROM B SIDE PNL	1	
	90110	90110-LLB1-800	SCREW SPECIAL 6*16	SCREW SPECIAL 6*16	8	

F05

# Box Assy Luggage Panel Assy R/L Footrest

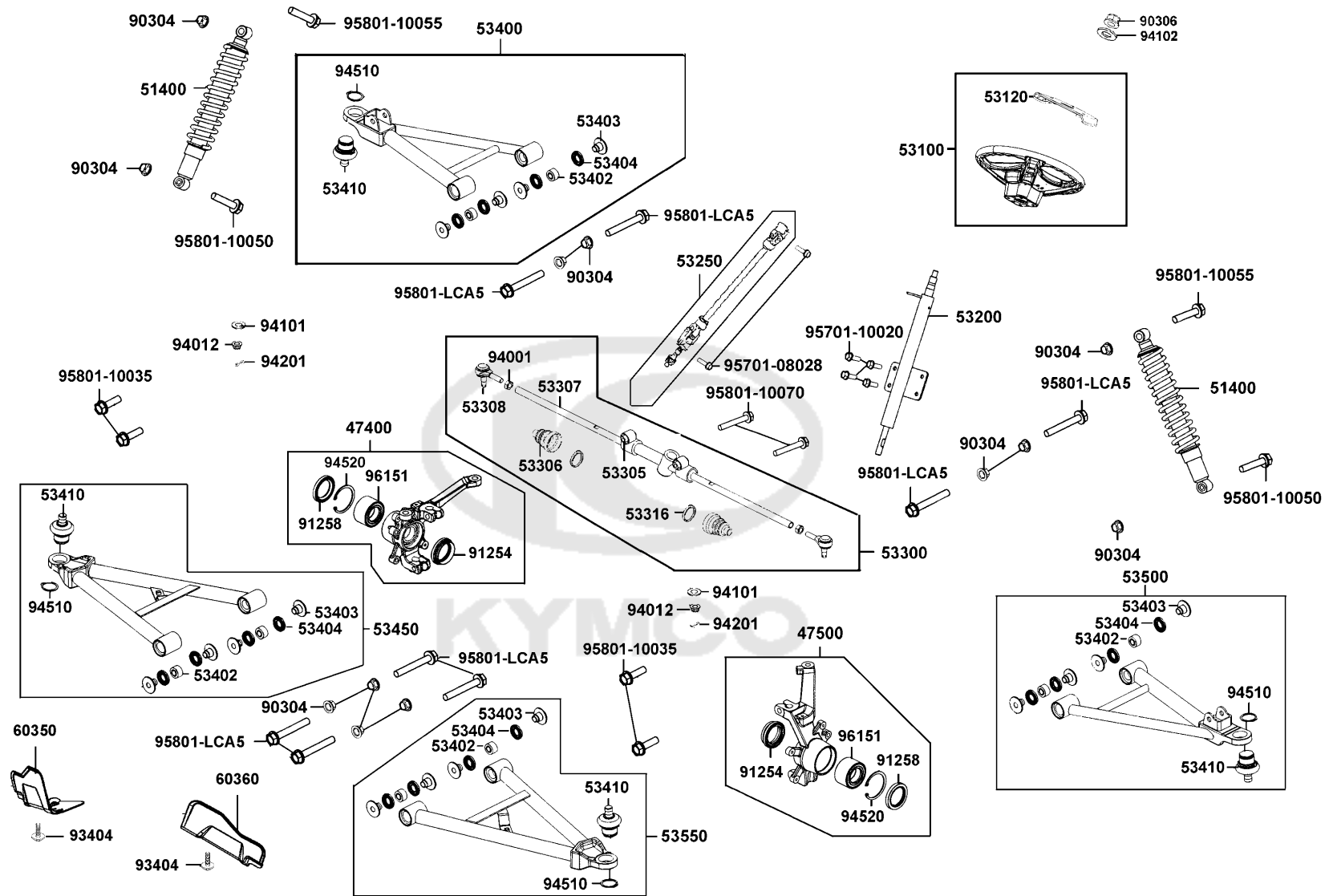


Sales mark	Ref no	Part no	Description	Reg description	Regd no	<b>F05</b>
90302		90302-PWB1-900	BOLT-WASH 5*22	BOLT-WASH 5*22	22	
90305		90305-GHK8-001	NUT CLIP 6MM	NUT CLIP 6MM	6	
90652		90652-LEE8-E00	RIVET	RIVET	52	
90655		90655-PWA2-900	CLIP FENDER MOUNTING	CLIP FENDER MOUNTING	2	
90658		90658-PWA2-900	NUT STAMPED	NUT STAMPED	4	
90677		90677-GAR1-004	NUT CLIP 5MM	NUT CLIP 5MM	13	
93404-06016		93404-06016-06	BOLT WASHER 6*16	BOLT WASHER 6*16	40	
93404-06025		93404-06025-06	BOLT WASHER 6*25	BOLT WASHER 6*25	12	
93903		93903-35260	SCREW TAPPING 5*12	SCREW TAPPING 5*12	6	



F06

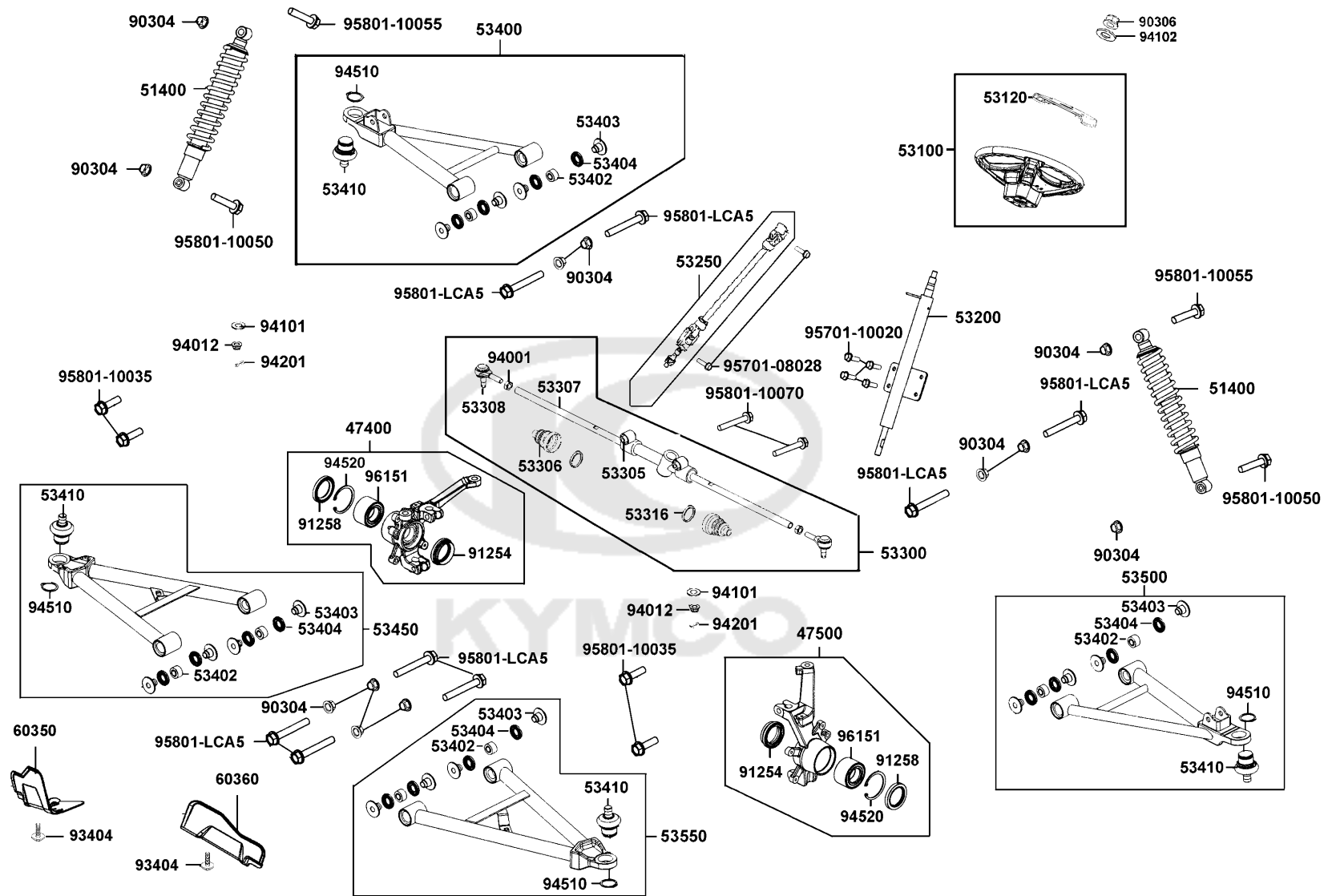
# Cushion Assy Fr Wheel Assy Steering



Sales mark	Ref no	Part no	Description	Reg description	Regd no	<b>F06</b>
47400		47400-LEE8-900	KNUCKLE ASSY STEERING-RH	KNUCKLE ASSY STEERING-RH	1	
47500		47500-LEE8-900	KNUCKLE ASSY STEERING-LH	KNUCKLE ASSY STEERING-LH	1	
51400		51400-LKM8-E00	CUSHION ASSY FR	CUSHION ASSY FR	2	
53100		53100-LEE8-E00	WHEEL ASSY STEERING	WHEEL ASSY STEERING	1	
53120		53120-LEE8-E00	COVER WHEEL	COVER WHEEL	1	
53200		53200-LEE8-E00	COLUMN STEERING	COLUMN STEERING	1	
53250		53250-LEE8-E00	STEERING SHAFT ASSY	STEERING SHAFT ASSY	1	
53300		53300-LEE8-E00	STEERING ASSY	STEERING ASSY	1	
53305		53305-LEE8-E00	BUSH	BUSH	2	
53306		53306-LEE8-E00	BOOT	BOOT	2	
53307		53307-LEE8-E00	TIE ROD	TIE ROD	2	
53308		53308-LEE8-E00	BALL JOINT TIE ROD	BALL JOINT TIE ROD	2	
53316		53316-LEE8-E00	BAND STRG ASSY	BAND STRG ASSY	2	
53400		53400-LKM8-900	ARM ASSY FR R SWING UP	ARM ASSY FR R SWING UP	1	
53402		53402-LEE8-E00	BEARING SPHERICAL PLAIN	BEARING SPHERICAL PLAIN	8	
53403		53403-LEE8-E00	COLLAR SWING ARM	COLLAR SWING ARM	16	
53404		53404-LEE8-E00	DUST SEAL 16*30*4.5	DUST SEAL 16*30*4.5	16	
53410		53410-PRB1-900	BALL JOINT ASSY	BALL JOINT ASSY	1	
53450		53450-LKM8-900	ARM ASSY FR R SWING LOW	ARM ASSY FR R SWING LOW	1	
53500		53500-LKM8-900	ARM ASSY FR L SWING UP	ARM ASSY FR L SWING UP	1	

F06

Cushion Assy Fr Wheel Assy Steering

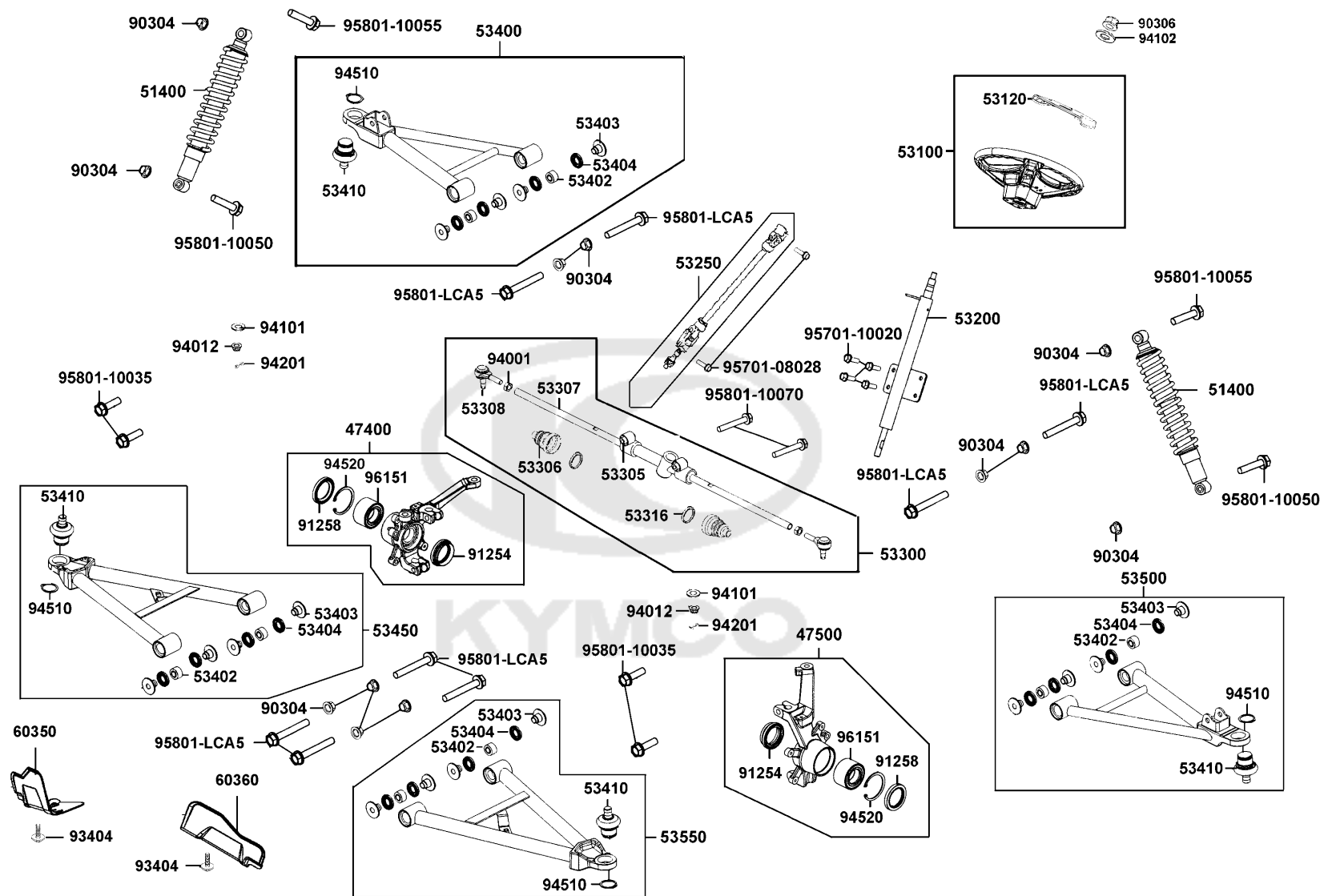


Sales mark	Ref no	Part no	Description	Reg description	Regd no	F06
	53550	53550-LKM8-900	ARM ASSY FR R/L SWING LOW	ARM ASSY FR R/L SWING LOW	1	
	90304	90304-GLW0-90A	NUT U FLANGE 10MM	NUT U FLANGE 10MM	12	
	90306	90306-GLW0-90A	NUT FLANGE 12MM	NUT FLANGE 12MM	1	
	91254	91254-LDB5-E00	SEAL DUST CVJ 38*55*7	SEAL DUST CVJ 38*55*7	2	
	91258	91258-LDB5-E00	SEAL DUST HUB 38*55*7	SEAL DUST HUB 38*55*7	2	
	93404	93404-06016-06	BOLT WASHER 6*16	BOLT WASHER 6*16	2	
	94001	94001-12280-0S	NUT HEX 12MM	NUT HEX 12MM	2	
	94012	94012-LLB1-900	NUT CASTLE 10MM	NUT CASTLE 10MM	2	
	94101	94101-10800	WASHER PLAIN 10*22*1.6	WASHER PLAIN 10MM	2	
	94102	94102-12800	WASHER PLAIN 12MM	WASHER PLAIN 12MM	1	
	94201	94201-25300	PIN SPLIT 2.5*30	PIN SPLIT 2.5*30	2	
	94510	94510-PWB1-900	CIRCLIP EX 29	CIRCLIP EX 29	4	
	94520	94520-55000	CIR CLIP IN 55	CIR CLIP IN 55	2	
	95701-08028	95701-08028-06	BOLT FLANGE 8*28	BOLT FLANGE 8*28	2	
	95701-10020	95701-10020-06	BOLT FLANGE 10*20	BOLT FLANGE 10*20	4	
	95801-10035	95801-10035-06	BOLT FLANGE 10*35	BOLT FLANGE 10*35	4	
	95801-10050	95801-10050-06	BOLT FLANGE 10*50	BOLT FLANGE 10*50	2	
	95801-10055	95801-10055-06	BOLT FLANGE 10*55	BOLT FLANGE 10*55	2	
	95801-10070	95801-10070-06	BOLT FLANGE 10*70	BOLT FLANGE 10*70	2	
	95801-LCA5	95801-LCA5-900	BOLT FLANGE 10*70	BOLT FLANGE 10*70	8	



F06

Cushion Assy Fr Wheel Assy Steering



Sales mark	Ref no	Part no	Description	Reg description	Regd no	<b>F06</b>
------------	--------	---------	-------------	-----------------	---------	------------

96151

96151-PWB1-900

BEARING WHEEL

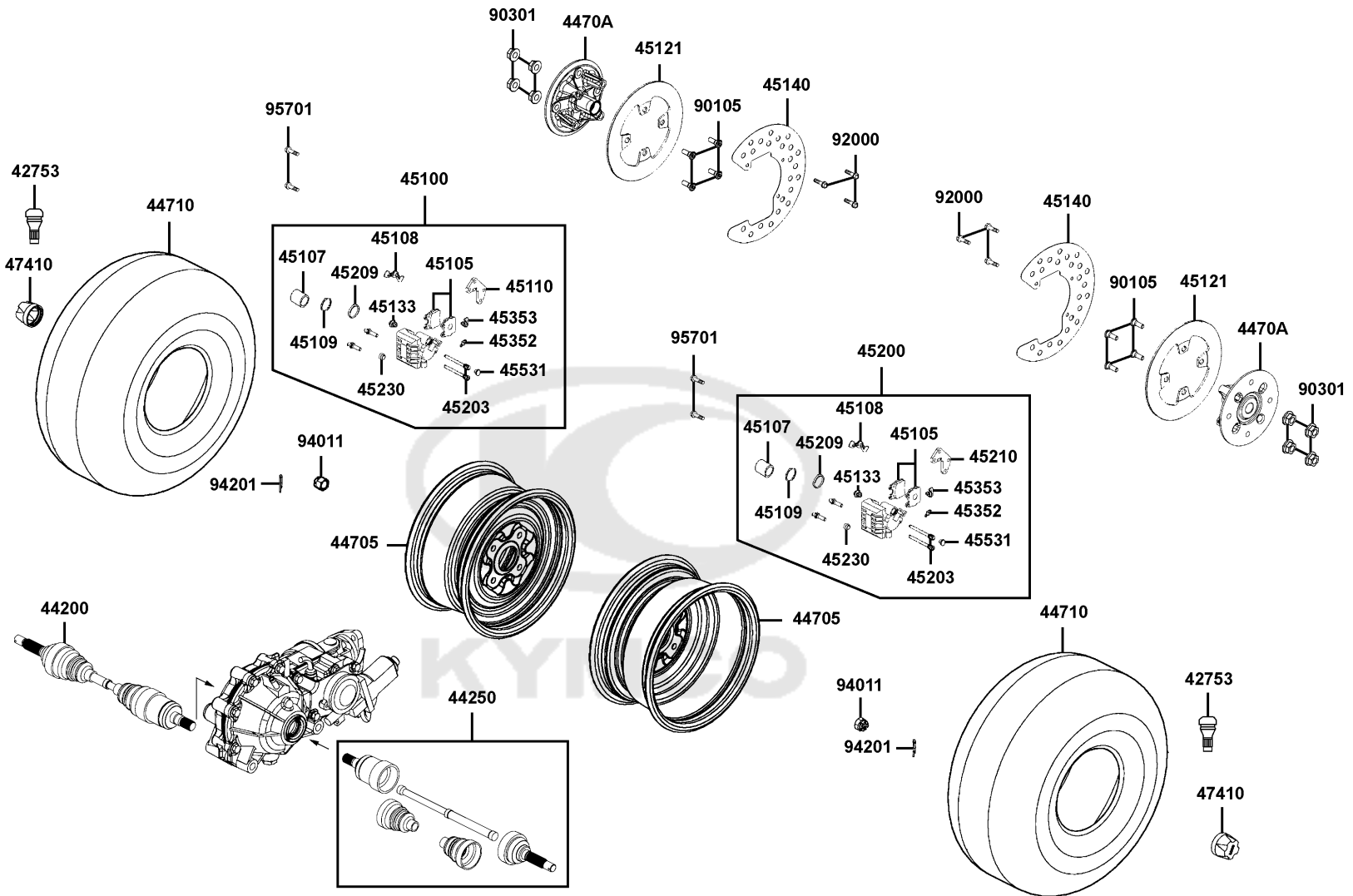
BEARING WHEEL

2



F07

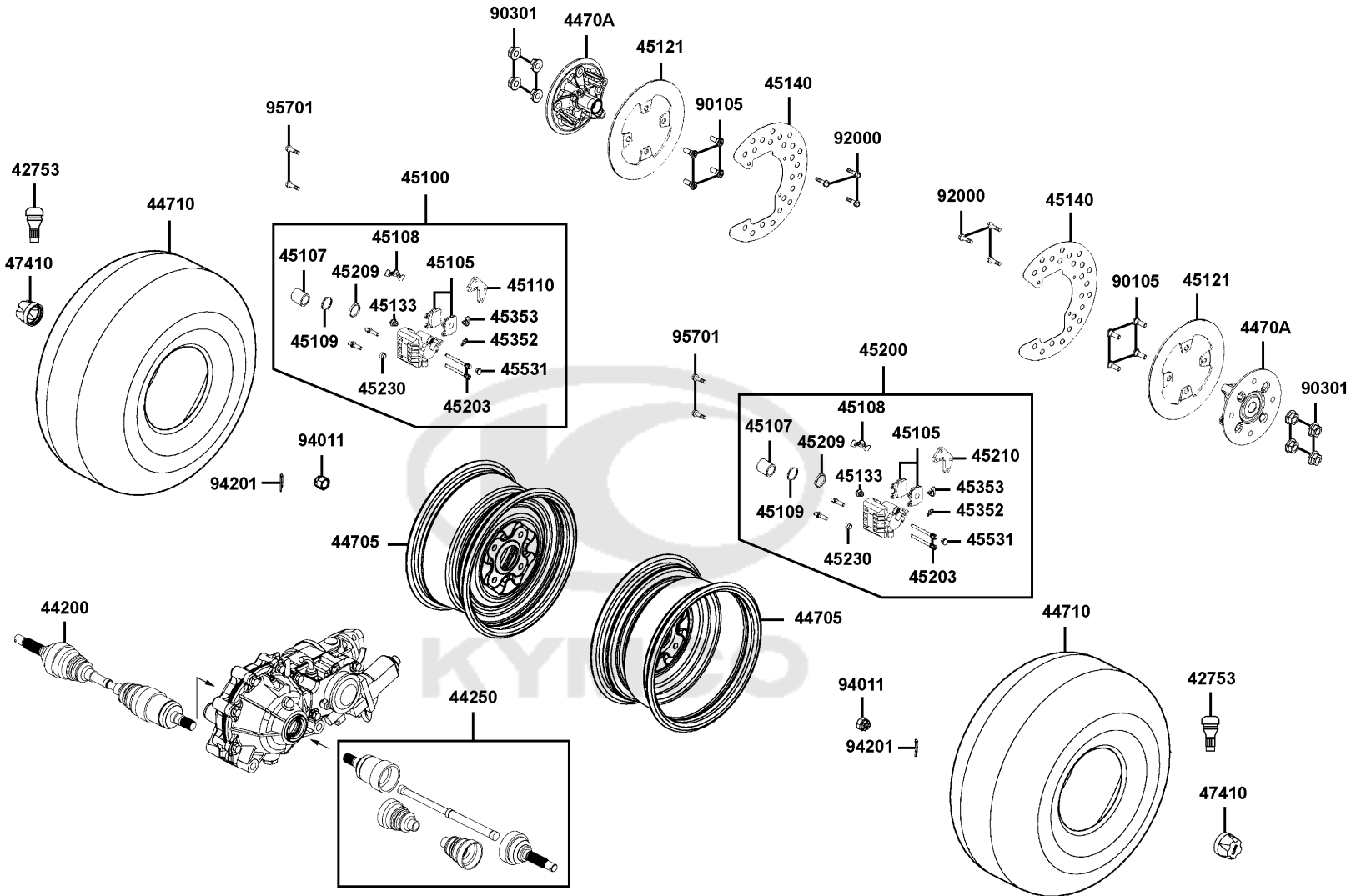
# Front Wheel



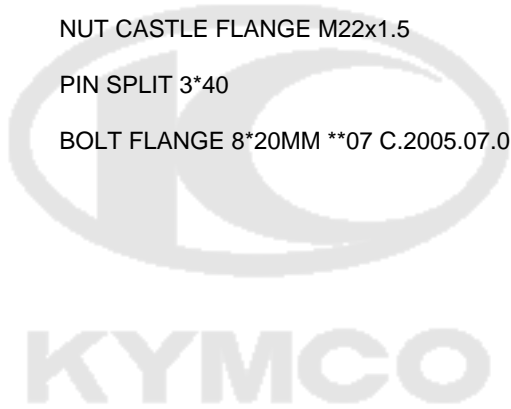
Sales mark	Ref no	Part no	Description	Reg description	Regd no	F07
	42753	42753-KNBN-90B	VALAE RIM (TR412)	VALAE RIM (TR412)	2	
	44200	44200-LKM8-900	HALF SHAFT FRONT-RH	HALF SHAFT FRONT-RH	1	
	44250	44250-LKM8-900	HALF SHAFT FRONT-LH	HALF SHAFT FRONT-LH	1	
**	44705	44705-LEE8-E00	RIM COMP FR WHEEL	RIM COMP FR WHEEL	2	
	4470A	4470A-LEE8-900	HUB ASSY FRONT WHEEL	HUB ASSY FRONT WHEEL	2	
	44710	44710-LKM8-E00	TIRE ASSY FR 25X8.00-12 2PR (MAXXIS)	TIRE ASSY FR 25X8.00-12 2PR (MAXXIS)	2	
**	45100	45100-LEE8-E00	CALIPER ASSY FR R	CALIPER ASSY FR R	1	
	45105	45105-PWA1-305	PAD SET	PAD SET	2	
	45107	45107-KFA6-900	PISTON	PISTON	1	
	45108	45108-LBA7-900	SPRING PAD	SPRING PAD	2	
	45109	45109-KFA6-900	DUST SEAL	DUST SEAL	1	
	45110	45110-LEE8-305	BRACKET ASSY-RH	BRACKET ASSY-RH	1	
	45121	45121-LKM8-900	DISK FR BRAKE	DISK FR BRAKE	2	
	45133	45133-LBA7-900	BOOT A	BOOT A	2	
	45140	45140-LEE8-E00	RING WHEEL FR	RING WHEEL FR	2	
**	45200	45200-LEE8-E00	CALIPER ASSY FR L	CALIPER ASSY FR L	1	
	45203	45203-LBA7-900	PIN HANGER	PIN HANGER	4	
	45209	45209-KFA6-900	SEAL PISTON	SEAL PISTON	1	
	45210	45210-LEE8-305	BRACKET ASSY LH	BRACKET ASSY LH	1	
	45230	45230-LBA7-900	BUSH PIN	BUSH PIN	2	

F07

# Front Wheel



Sales mark	Ref no	Part no	Description	Reg description	Regd no	<b>F07</b>
45352		45352-LBA7-900	BLEEDER	BLEEDER	2	
45353		45353-LBA7-900	CAP BLEEDER	CAP BLEEDER	2	
45531		45531-LBA7-900	PLUG	PLUG	2	
47410		47410-LDB5-E00	CAP WHEEL SHAFT	CAP WHEEL SHAFT	2	
90105		90105-MLL0-731	BOLT STEP HOLDER 8*24	BOLT STEP HOLDER 8*24	8	
90301		90301-LDB5-E00	NUT WHEEL	NUT WHEEL	8	
92000		92000-06010-0G	BOLT HEX 6X10	BOLT HEX 6X10	1	
94011		94011-PWB1-900	NUT CASTLE FLANGE M22x1.5	NUT CASTLE FLANGE M22x1.5	2	
94201		94201-30400	PIN SPLIT 3*40	PIN SPLIT 3*40	2	
95701		95701-08020-06	BOLT FLANGE 8*20MM **07 C.2005.07.01	BOLT FLANGE 8*20MM **07 C.2005.07.01	4	



F08

# Rear Wheel



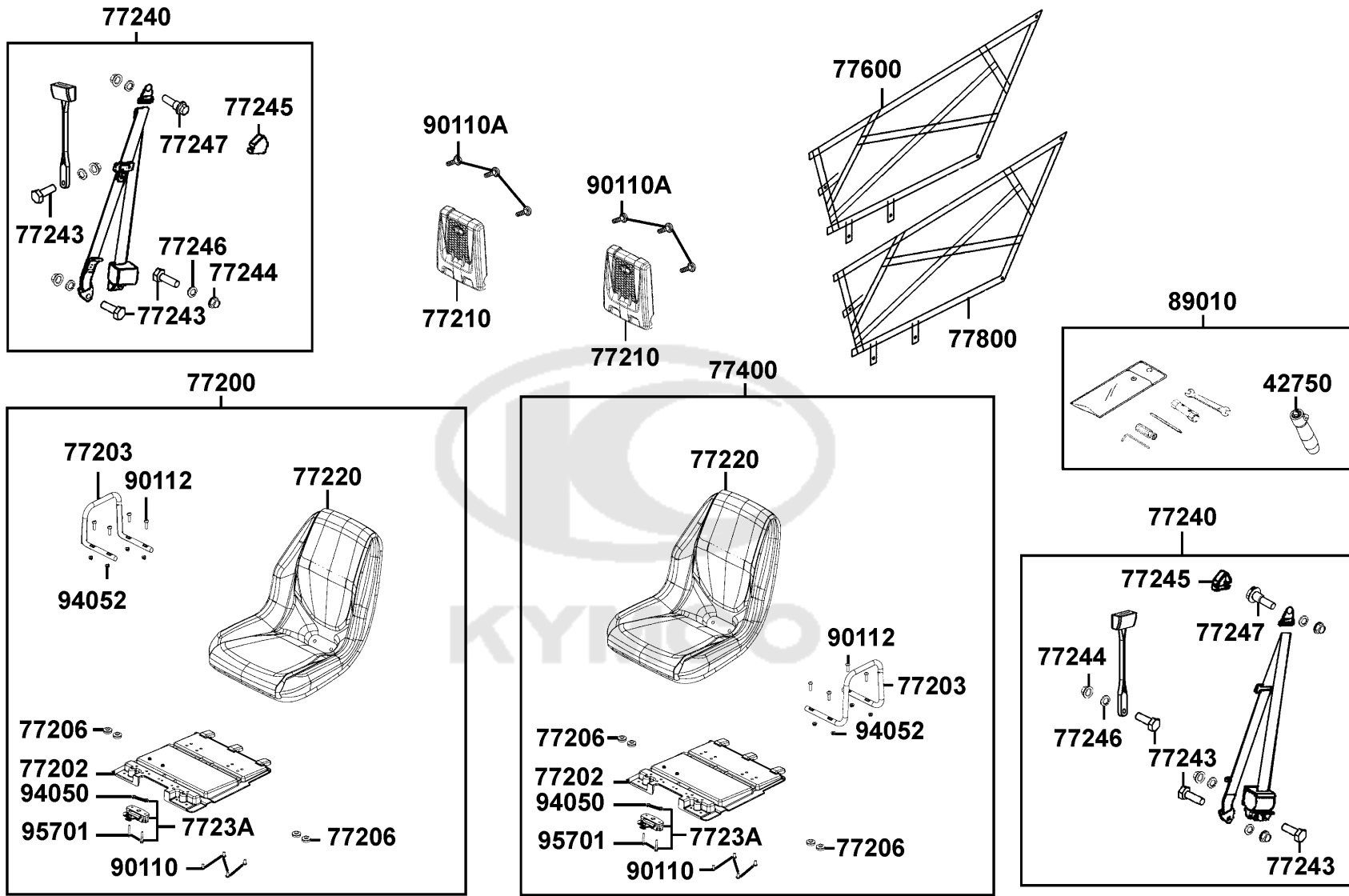
Sales mark	Ref no	Part no	Description	Reg description	Regd no	<b>F08</b>
**	42705	42705-LEE8-E00	RIM COMP RR WHEEL	RIM COMP RR WHEEL	2	
	42710	42710-LKM8-E00	TIRE ASSY RR 25X10.00-12 4PR (MAXXIS	TIRE ASSY RR 25X10.00-12 4PR (MAXXIS )	2	
	42753	42753-KNBN-90B	VALAE RIM (TR412)	VALAE RIM (TR412)	2	
	47410	47410-LDB5-E00	CAP WHEEL SHAFT	CAP WHEEL SHAFT	2	
	90301	90301-LDB5-E00	NUT WHEEL	NUT WHEEL	8	
	94011	94011-PWB1-900	NUT CASTLE FLANGE M22x1.5	NUT CASTLE FLANGE M22x1.5	2	
	94201	94201-30400	PIN SPLIT 3*40	PIN SPLIT 3*40	2	





F09

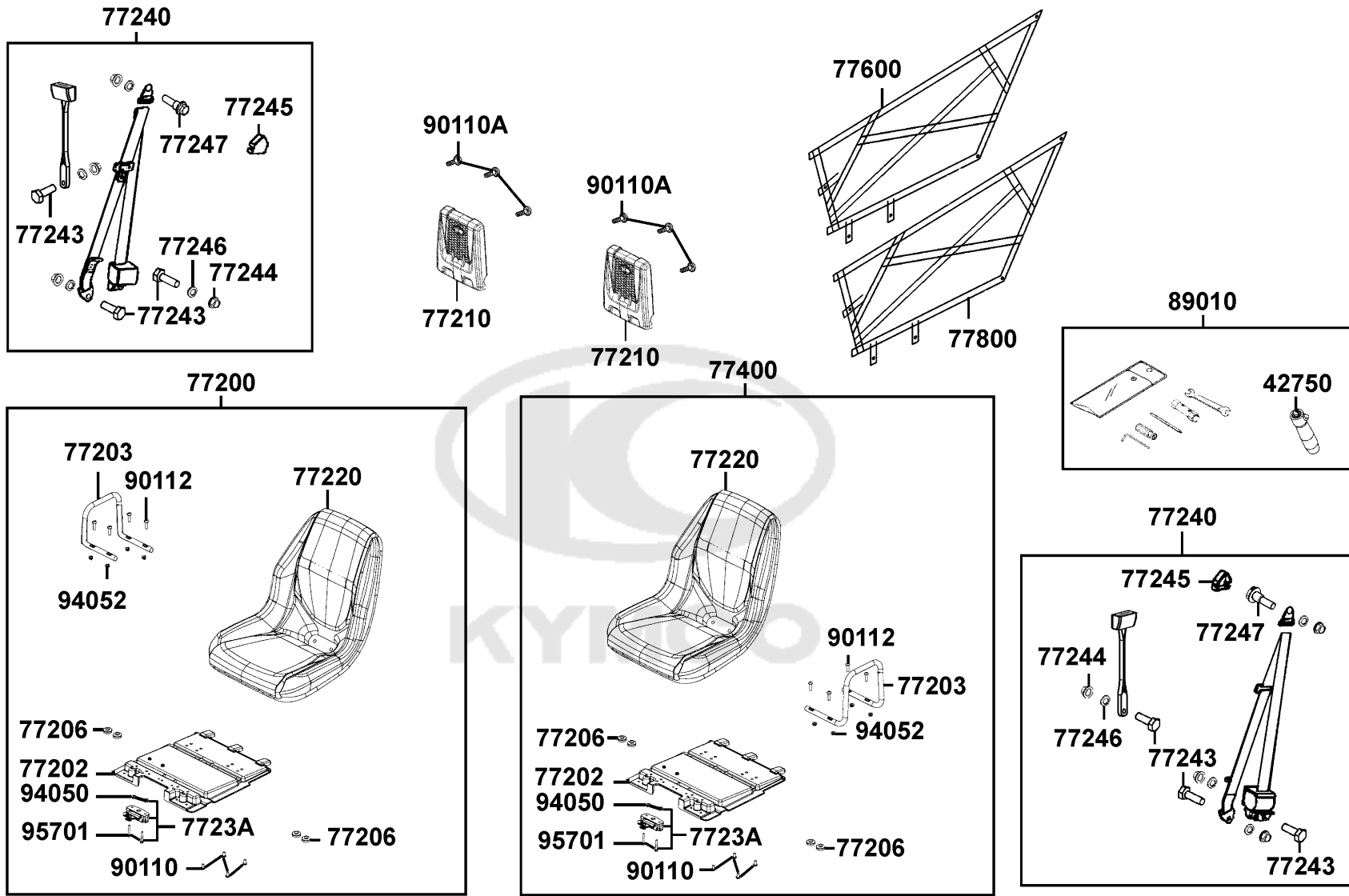
Seat




Sales mark	Ref no	Part no	Description	Reg description	Regd no	<b>F09</b>
	42750	42750-LEE8-E0A	GEAR AIR PRESSURE	GEAR AIR PRESSURE	1	
	42750	42750-LEE8-E0B	GEAR AIR PRESSURE	GEAR AIR PRESSURE	1	
**	77200	77200-LEE8-E00	SEAT ASSY R	SEAT ASSY R	1	
	77202	77202-LEE8-E00	BOTTOM PLATE SEAT	BOTTOM PLATE SEAT	2	
	77203	77203-LEE8-E00	GRIP SEAT	GRIP SEAT	2	
	77206	77206-LBA7-900	RUBBER SEAT CUSH	RUBBER SEAT CUSH	8	
**	77210	77210-LEE8-900	HEADREST	HEADREST	2	
**	77220	77220-LEE8-E00	SINGLE SEAT ASSY	SINGLE SEAT ASSY	2	
	7723A	7723A-LEE8-305	LOCK ASSY SEAT	LOCK ASSY SEAT	2	
	77240	77240-LEE8-E01	BELT SAFETY	BELT SAFETY	1	
	77243	77243-LEE8-E00	BOLT	BOLT	6	
	77244	77244-LEE8-E00	NUT FLANGE	NUT FLANGE	8	
	77245	77245-LEE8-E00	CAP BOLT	CAP BOLT	2	
	77246	77246-LEE8-E00	WASHER SPRING	WASHER SPRING	8	
	77247	77247-LEE8-E00	BOLT	BOLT	2	
**	77400	77400-LEE8-E00	SEAT ASSY L	SEAT ASSY L	1	
	77600	77600-LKM8-900	NET ASSY R SAFETY	NET ASSY R SAFETY	1	
	77800	77800-LKM8-900	NET ASSY L SAFETY	NET ASSY L SAFETY	1	
	89010	89010-LEE8-E00	TOOL SET	TOOL SET	1	
	90110	90110-LEE8-E00	BOLT SPECIAL 8*16	BOLT SPECIAL 8*16	8	

F09

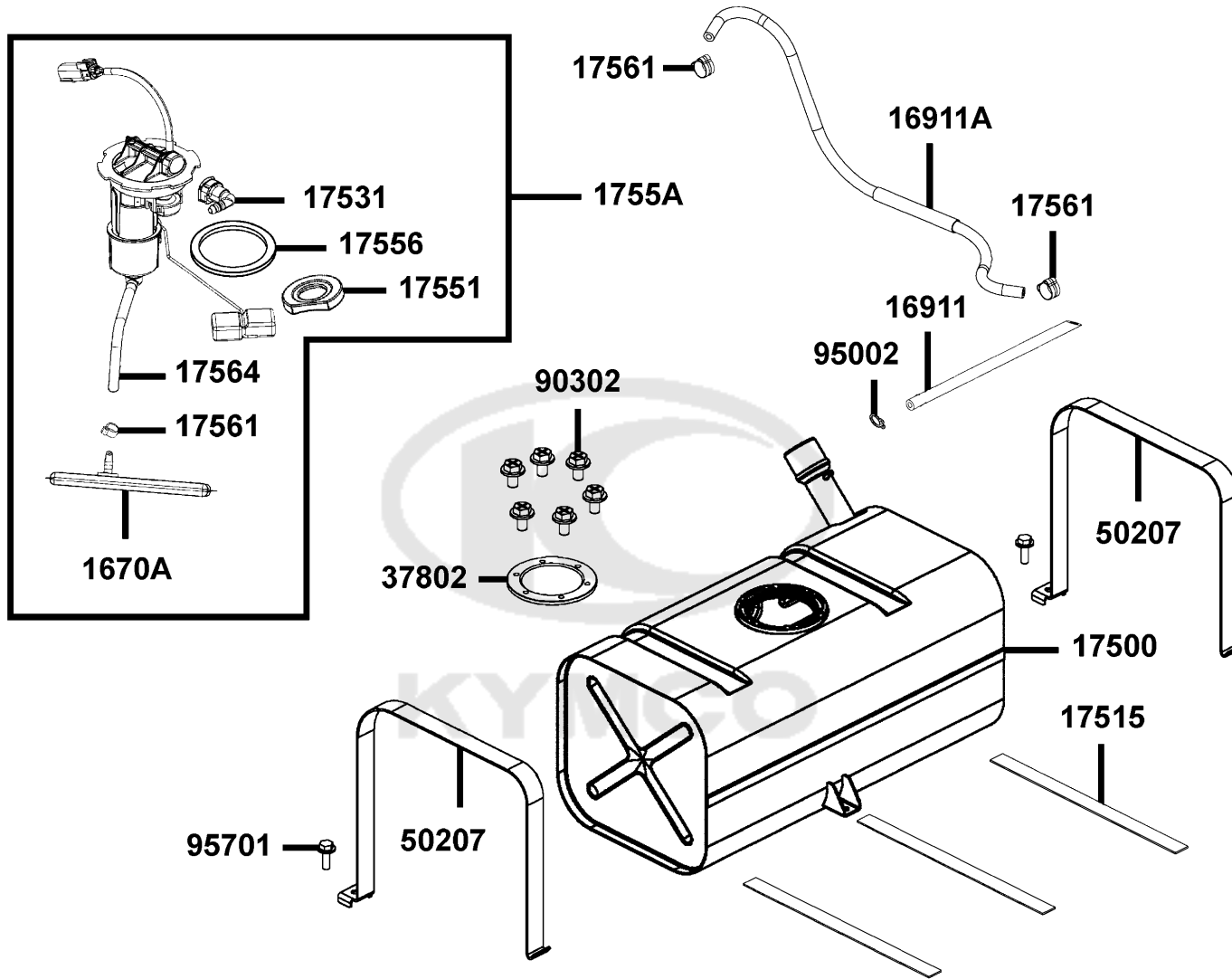
Seat



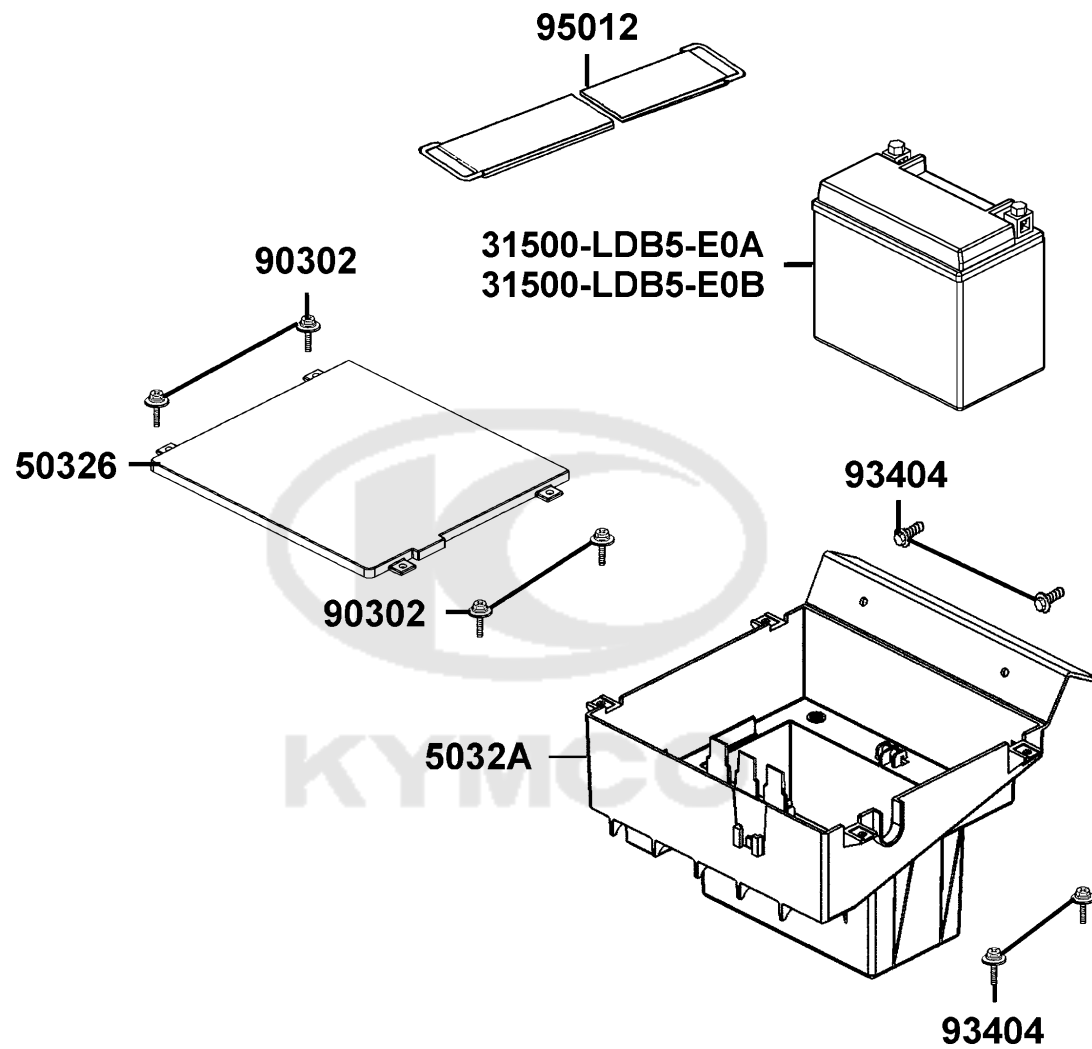
Sales mark	Ref no	Part no	Description	Reg description	Regd no	<b>F09</b>
	90110A	90110-PWB1-900	SCREW SPECIAL 6X20	SCREW SPECIAL 6X20	6	
	90112	90112-LEE8-E00	BOLT SPECIAL 8*40	BOLT SPECIAL 8*40	8	
	94050	94050-LEE8-E00	NUT FLANGE 6MM	NUT FLANGE 6MM	4	
	94052	94052-LEE8-E00	NUT FLANGE 8MM	NUT FLANGE 8MM	8	
	95701	95701-LEE8-E00	BOLT FLANGE 6*40	BOLT FLANGE 6*40	4	
						


F10

Fuel Tank

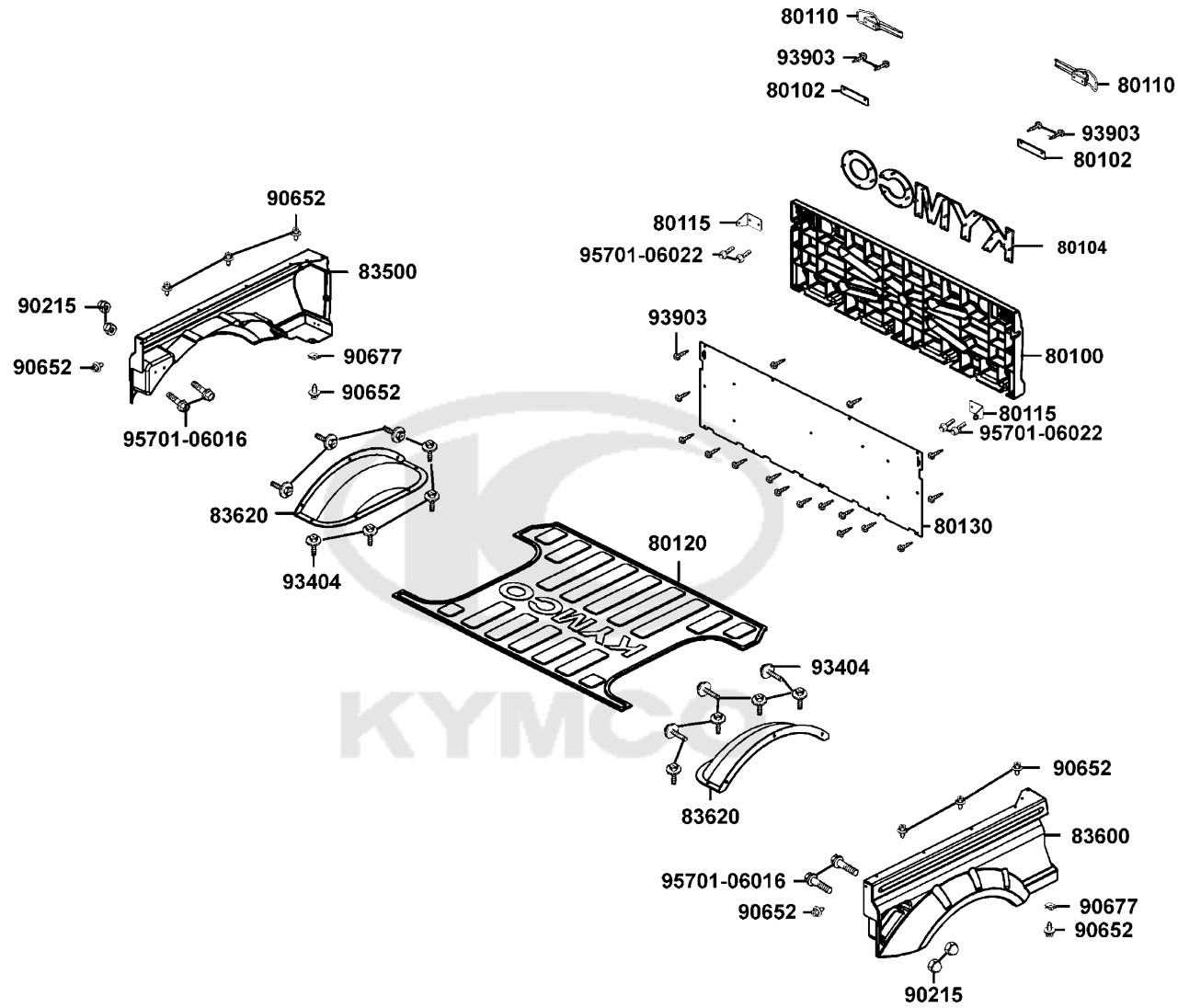


Sales mark	Ref no	Part no	Description	Reg description	Regd no	F10
	1670A	1670A-PTA1-800	FUEL FILTER	FUEL FILTER	1	
	16911	16911-ACB2-M00	TUBE FUEL COMP	TUBE FUEL COMP	1	
	16911A	16911-LKM8-E00	HOSE ASSY.FUEL	HOSE ASSY.FUEL	1	
	17500	17500-ACB2-M00	TANK FUEL	TANK FUEL	1	
	17515	17515-LEE8-E00	SPONGE FUEL TANK	SPONGE FUEL TANK	3	
	17531	17531-LGC7-E00	CONNECTOR FUEL PUMP-90 DEGREE	CONNECTOR FUEL PUMP-90 DEGREE	1	
	17551	17551-PTA1-800	PUMP REGULATOR STAY	PUMP REGULATOR STAY	1	
	17556	17556-PTA1-800	FUEL PUMP SEAL	FUEL PUMP SEAL	1	
	1755A	1755A-LKC3-E00	FUEL PUMP ASSEMBLY	FUEL PUMP ASSEMBLY	1	
	17561	17561-LKB9-900	CLIP 12.5	CLIP 12.5	2	
	17564	17564-LKC3-E00	TUBE FILTER	TUBE FILTER	1	
	37802	37802-LGC3-E00	MOUNT FUEL PUMP	MOUNT FUEL PUMP	1	
	50207	50207-LEE8-E00	STAY FUEL TANK	STAY FUEL TANK	2	
	90302	90302-LBF2-900	BOLT-WASH M5*10	BOLT-WASH M5*10	6	
	95002	95002-02080	CLIP B8 TUBE	CLIP B8 TUBE	1	
	95701	95701-08020-06	BOLT FLANGE 8*20MM **07 C.2005.07.01	BOLT FLANGE 8*20MM **07 C.2005.07.01	2	



Sales mark	Ref no	Part no	Description	Reg description	Regd no	F11
	31500-LDB5-E0A	31500-LDB5-E0A	BATTERY YTX20L-BS	BATTERY YTX20L-BS	1	
	31500-LDB5-E0B	31500-LDB5-E0B	BATTERY GTX20L-BS	BATTERY GTX20L-BS	1	
**	50326	50326-LEE8-E00	COVER BATTERY	COVER BATTERY	1	
	5032A	5032A-LEE8-600	CASE ASSY BATTERY	CASE ASSY BATTERY	1	
	90302	90302-GFY6-901	BOLT WASH 5*12 **(1) C.V.	BOLT WASH 5X12	4	
	93404	93404-06016-06	BOLT WASHER 6*16	BOLT WASHER 6*16	4	
	95012	95012-KED9-900	BAND BATTERY	BAND BATTERY	1	
						

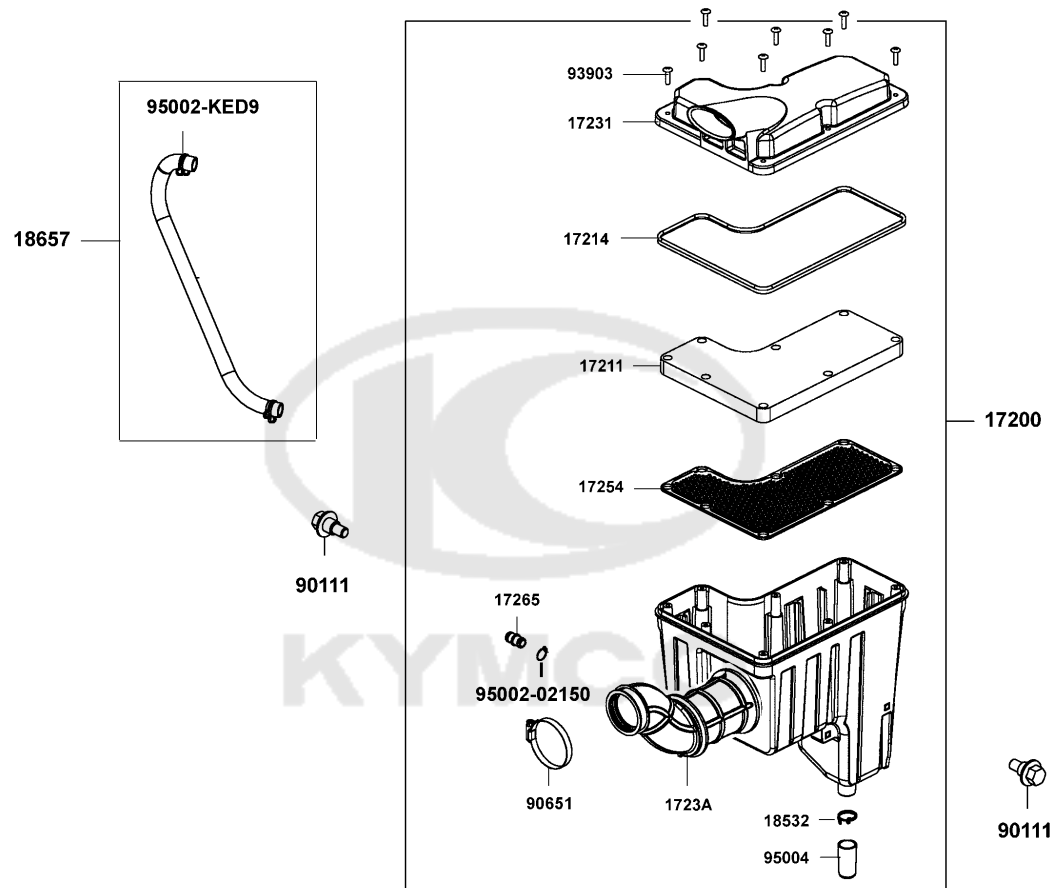




Sales mark	Ref no	Part no	Description	Reg description	Regd no	F12
**	80100	80100-AAA6-900	LID REAR STORAGE	LID REAR STORAGE	1	
	80102	80102-LEE8-E00	STAY HINGE	STAY HINGE	2	
**	80104	80104-AEG6-E00	COVER KYMCO	COVER KYMCO	1	
	80110	80110-LEE8-E00	LATCH REAR STORAGE LID	LATCH REAR STORAGE LID	2	
	80115	80115-LEE8-E00	BRACKET TRUNK STOPPER	BRACKET TRUNK STOPPER	2	
	80120	80120-LEE8-E00	MAT REAR STORAGE	MAT REAR STORAGE	1	
	80130	80130-LEE8-E00	CASE REAR STORAGE LID	CASE REAR STORAGE LID	1	
**	83500	83500-LEE8-E00	PANEL R REAR FENDER	PANEL R REAR FENDER	1	
**	83600	83600-LEE8-E00	PANEL L REAR FENDER	PANEL L REAR FENDER	1	
**	83620	83620-LEE8-E01	GUARD MUD	GUARD MUD	1	
	90215	90215-KKC4-900	NUT CAP 6MM	NUT CAP 6MM	4	
	90652	90652-LEE8-E00	RIVET	RIVET	10	
	90677	90677-GAR1-004	NUT CLIP 5MM	NUT CLIP 5MM	2	
	93404	93404-06016-06	BOLT WASHER 6*16	BOLT WASHER 6*16	14	
	93903	93903-35360	SCREW TAPPING 5*16	SCREW TAPPING 5*16	21	
	95701-06016	95701-06016-06	BOLT FLANGE 6*16 (K)	BOLT FLANGE 6X16	4	
	95701-06022	95701-06022-06	BOLT FLANGE 6*22	BOLT FLANGE 6*22	4	

F13

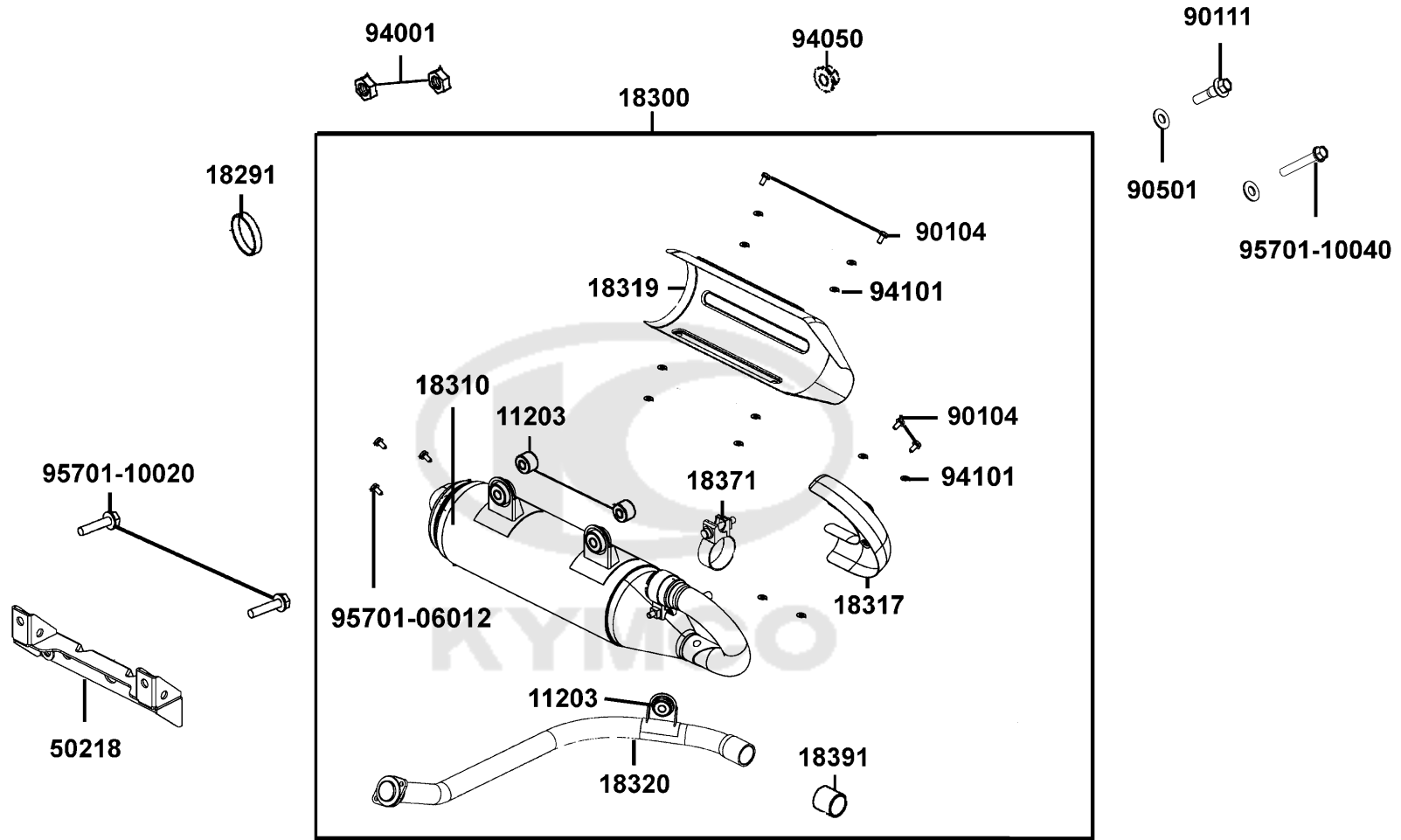
Air Cleaner



Sales mark	Ref no	Part no	Description	Reg description	Regd no	F13
17200		17200-LKM8-E00	AIR/C ASSY	AIR/C ASSY	1	
17211		17211-LKM8-E00	ELEMENT COMP AIR/C	ELEMENT COMP AIR/C	1	
17214		17214-LKM8-E00	SEAL AIR/C INLET	SEAL AIR/C INLET	1	
17231		17231-LKM8-E00	COVER AIR/C	COVER AIR/C	1	
1723A		1723A-LKM8-E00	CASE ASSY AIR/C	CASE ASSY AIR/C	1	
17254		17254-LKM8-E00	PUNCHING PLATE	PUNCHING PLATE	1	
17265		17265-LBA7-900	JOINT BLOW BY	JOINT BLOW BY	1	
18532		18532-6D34-671	CLIP AIR HOSE 21.5	CLIP AIR HOSE 21.5	1	
18657		18657-LKM8-E00	TUBE BREATHER	TUBE BREATHER	1	
90111		90111-1G87-001	BOLT FLANGE 6MM	BOLT FLANGE 6MM	2	
90651		90651-LEE8-E00	BAND 63	BAND 63	1	
93903		93903-25460	SCREW TAPPING 5*20 **93903-25480	SCREW TAPPING 5*20	8	
95002-02150		95002-02150	CLIP B14.5 TUBE	CLIP B14.5 TUBE	1	
95002-KED9		95002-KED9-M30	CLAMP D14.8 TUBE	CLAMP D14.8 TUBE	1	
95004		95004-LBA7-900	TUBE DRAIN	TUBE DRAIN	1	

F14

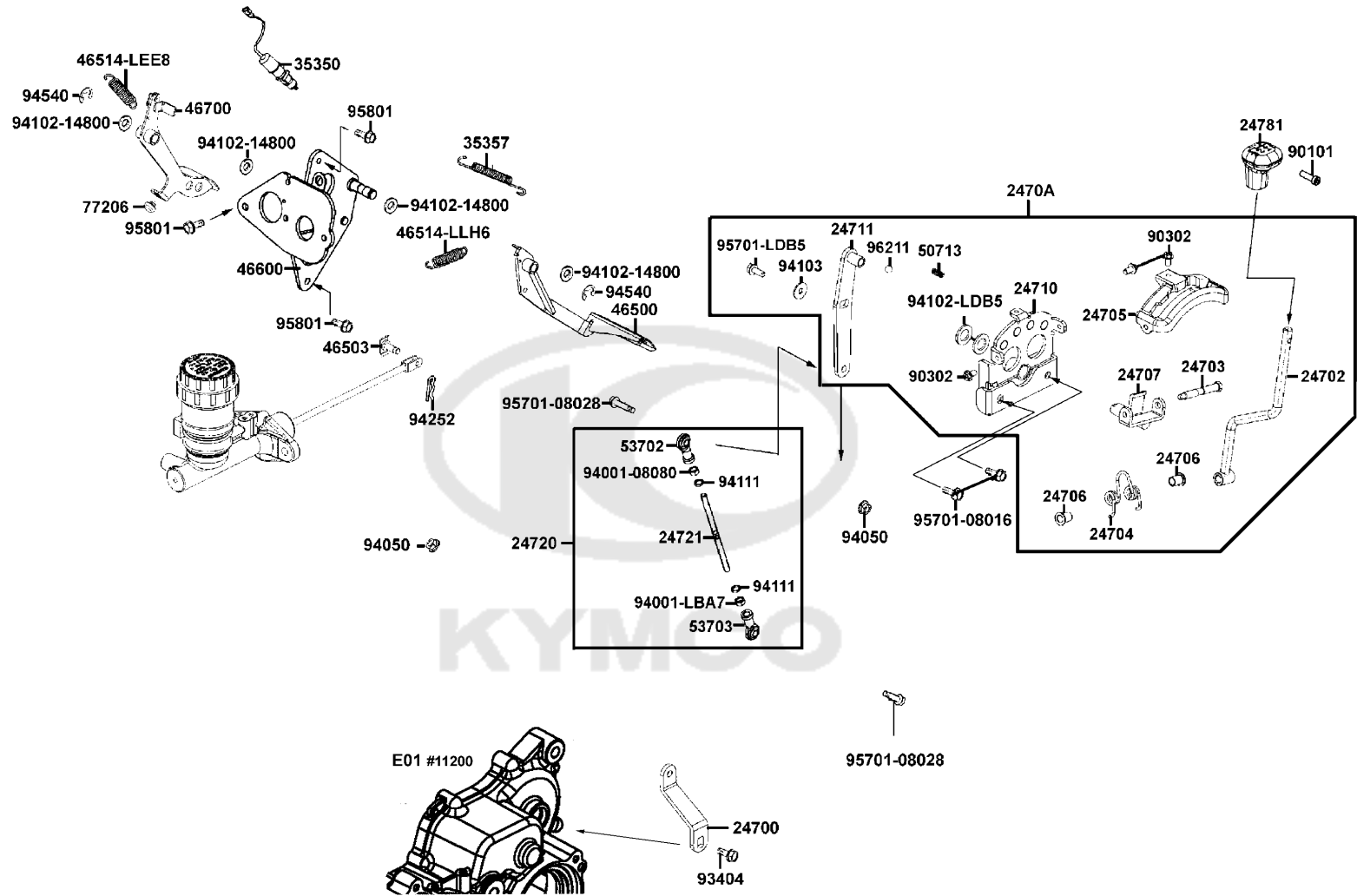
Exhaust Muffler



Sales mark	Ref no	Part no	Description	Reg description	Regd no	F14
	11203	11203-LDB5-E00	BUSH MUFFLER STAY	BUSH MUFFLER STAY	3	
	18291	18291-LKM5-E00	GASKET EXH. PIPE	GASKET EXH. PIPE	1	
	18300	18300-LKM8-E00	MUFFLER COMP EXHAUST	MUFFLER COMP EXHAUST	1	
	18310	18310-LKM8-E00	MUFFLER COMP	MUFFLER COMP	1	
	18317	18317-LEE8-E00	PROTECTOR A COMP.MUFFLER	PROTECTOR A COMP.MUFFLER	1	
	18319	18319-LEE8-E00	PROTECTOR B COMP.MUFFLER	PROTECTOR B COMP.MUFFLER	1	
	18320	18320-LKM8-E00	PIPE COMP EXHAUST	PIPE COMP EXHAUST	1	
	18371	18371-LKM5-E00	BAND MUFFLER	BAND MUFFLER	1	
	18391	18391-LKM5-E00	PACKING MUFFLER	PACKING MUFFLER	1	
	50218	50218-LEE8-E00	BRKT MUFFLER	BRKT MUFFLER	1	
	90104	90104-LDB5-E00	BOLT. WASHER 6*8	BOLT. WASHER 6*8	6	
	90111	90111-LEE8-E00	BOLT FLANGE 10X40	BOLT FLANGE 10X40	1	
	90501	90501-PWA6-900	WASHER 12MM	WASHER 12MM	2	
	94001	94001-08080-0S	NUT HEX 8MM	NUT HEX 8MM	2	
	94050	94050-10060	NUT FLANGE 10MM	NUT FLANGE 10MM	1	
	94101	94101-LDB5-E00	WASHER. PLAIN. 6mm	WASHER. PLAIN. 6mm	12	
	95701-06012	95701-06012-06	BOLT FLANGE 6*12 **07 C.2005.07.01	BOLT FLANGE 6X12	3	
	95701-10020	95701-10020-06	BOLT FLANGE 10*20	BOLT FLANGE 10*20	2	
	95701-10040	95701-10040-06	BOLT FLANGE 10*40	BOLT FLANGE 10*40	1	

F15

# Shifter Assy

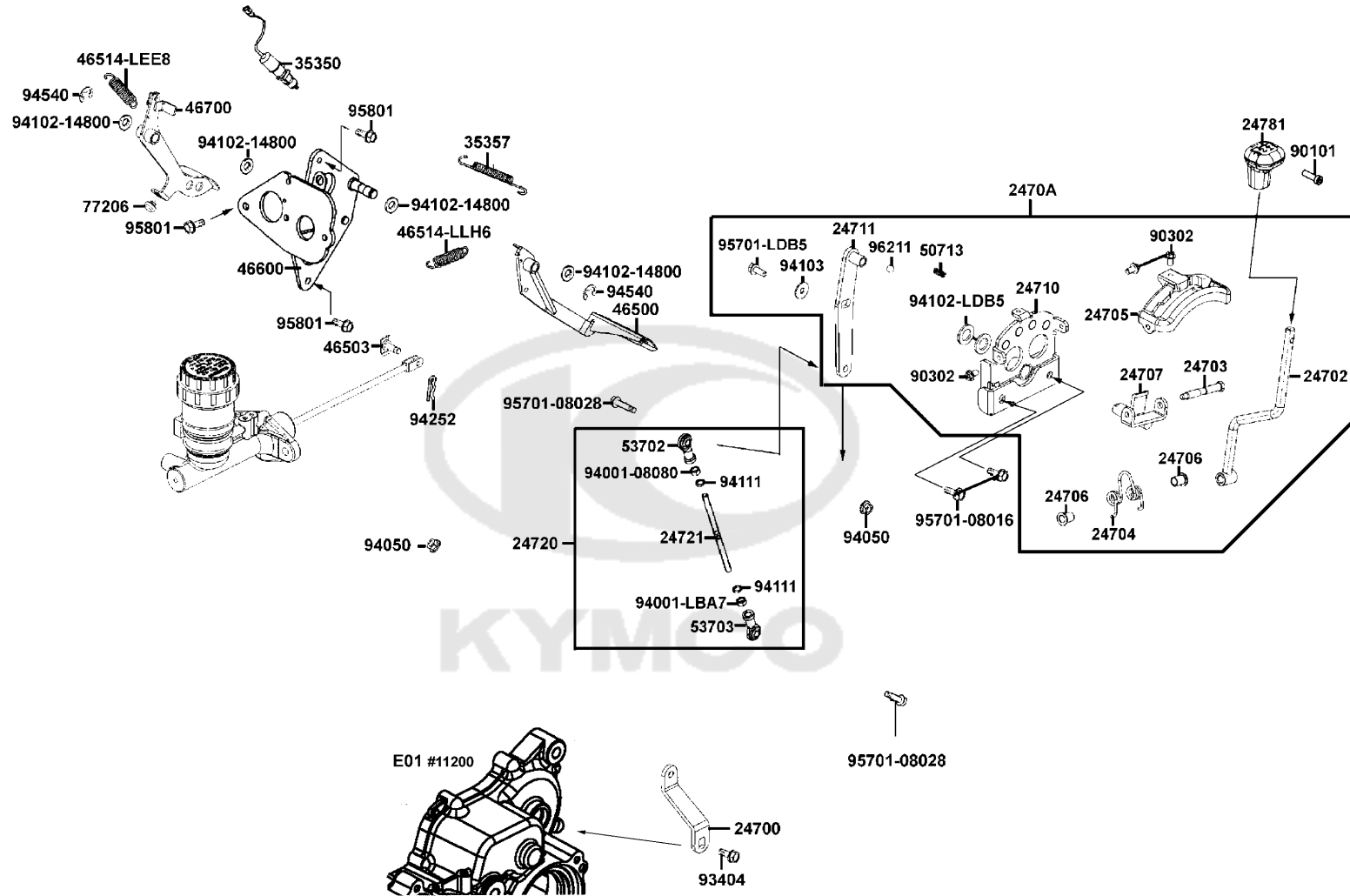


Sales mark	Ref no	Part no	Description	Reg description	Regd no	<b>F15</b>
24700		24700-LKM8-700	STAY SHIFT GUIDE	STAY SHIFT GUIDE	1	
24702		24702-LKM8-700	BAR SHIFT LEVER	BAR SHIFT LEVER	1	
24703		24703-LDB5-E00	BOLT SHIFT LEVER	BOLT SHIFT LEVER	1	
24704		24704-LDB5-E00	SPRING SHIFT LEVER	SPRING SHIFT LEVER	1	
24705		24705-LKM8-700	COVER SHIFT LEVER GUIDE	COVER SHIFT LEVER GUIDE	1	
24706		24706-LDB5-E00	COLLAR SHIFT LEVER	COLLAR SHIFT LEVER	2	
24707		24707-LDB5-E00	BRKT SHIFT LEVER	BRKT SHIFT LEVER	1	
2470A		2470A-LKM8-700	SHIFTER ASSY	SHIFTER ASSY	1	
24710		24710-LKM8-700	STAY SHIFTER	STAY SHIFTER	1	
24711		24711-LKM8-700	STAY UPPER SHIFT GUIDE	STAY UPPER SHIFT GUIDE	1	
24720		24720-LKM8-700	ROD ASSY SHIFT	ROD ASSY SHIFT	1	
24721		24721-LKM8-700	ROD SHIFT	ROD SHIFT	1	
24781		24781-LCA5-E00	COVER CHANGE HNDL	COVER CHANGE HNDL	1	
35350		35350-LBA7-900	REAR STOP SW	REAR STOP SW	1	
35357		35357-KGC4-E00	SPG STOP SW	SPG STOP SW	1	
46500		46500-LEE8-E00	PEDAL BRAKE	PEDAL BRAKE	1	
46503		46503-LEE8-E00	RIN COMP BRK ROD	RIN COMP BRK ROD	1	
46514-LEE8		46514-LEE8-E00	SPRING THROT PEDAL	SPRING THROT PEDAL	1	
46514-LLH6		46514-LLH6-M30	SPRING BRAKE ARM	SPRING BRAKE ARM	1	
46600		46600-LEE8-E00	STAY PEDAL ASSY	STAY PEDAL ASSY	1	

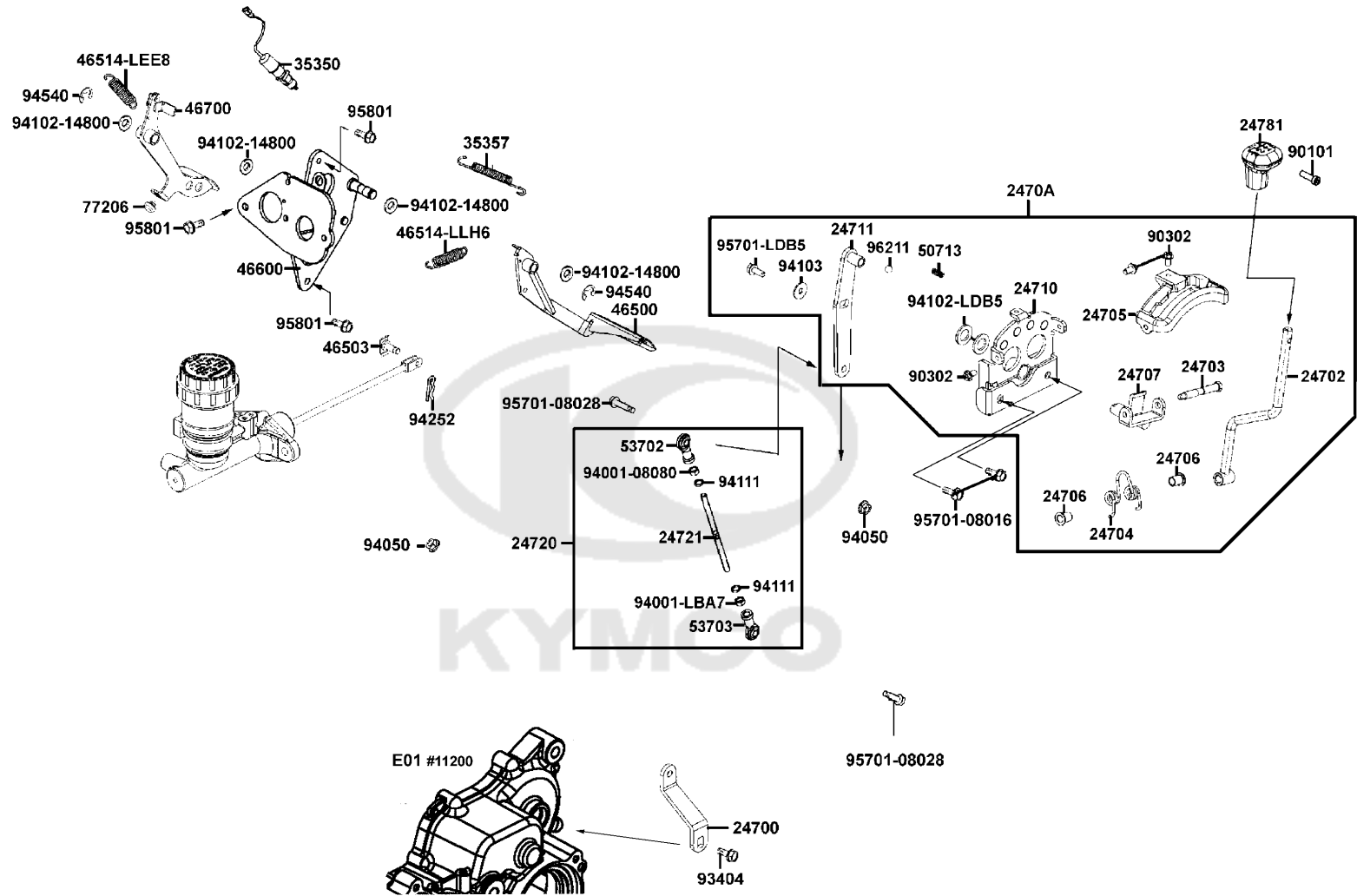


F15

# Shifter Assy



Sales mark	Ref no	Part no	Description	Reg description	Regd no	F15
	46700	46700-LEE8-E00	PEDAL THROT	PEDAL THROT	1	
	50713	50713-LDB5-E00	SPRING	SPRING	1	
	53702	53702-LBA7-900	JOINT R BALL	JOINT R BALL	1	
	53703	53703-LBA7-900	JOINT L BALL	JOINT L BALL	1	
	77206	77206-KEB7-900	RUBBER SEAT CUSH	RUBBER SEAT CUSH	1	
	90101	90101-LCA5-E00	SOCKET BOLT 5X12	SOCKET BOLT 5X12	1	
	90302	90302-LLB1-E00	BOLT-WASHER 5*12	BOLT-WASHER 5*12	3	
	93404	93404-06012-06	BOLT WASHER 6*12 (G)	BOLT WASHER 6X12	1	
	94001-08080	94001-08080-0S	NUT HEX 8MM	NUT HEX 8MM	1	
	94001-LBA7	94001-LBA7-900	NUT HEX LH 8MM	NUT HEX LH 8MM	1	
	94050	94050-08060	NUT FLANGE 8MM	NUT FLANGE 8MM	2	
	94102-14800	94102-14800	WASHER PLAIN 14*26*2.3	WASHER PLAIN 14*26*2.3	4	
	94102-LDB5	94102-LDB5-E00	WASHER PLAIN 14MM	WASHER PLAIN 14MM	2	
	94103	94103-06800	WASH PLAIN 6MM	WASH PLAIN 6MM	1	
	94111	94111-08800	WASHER SPG 8MM	WASHER SPG 8MM	2	
	94252	94252-08000	LOCK PIN 8MM	LOCK PIN 8MM	1	
	94540	94540-12028	E RING 12	E RING 12	2	
	95701-08016	95701-08016-06	BOLT FLANGE 8*16	BOLT FLANGE 8*16	2	
	95701-08028	95701-08028-06	BOLT FLANGE 8*28	BOLT FLANGE 8*28	2	
	95701-LDB5	95701-LDB5-E00	BOLT FLANGE 6*16	BOLT FLANGE 6*16	1	



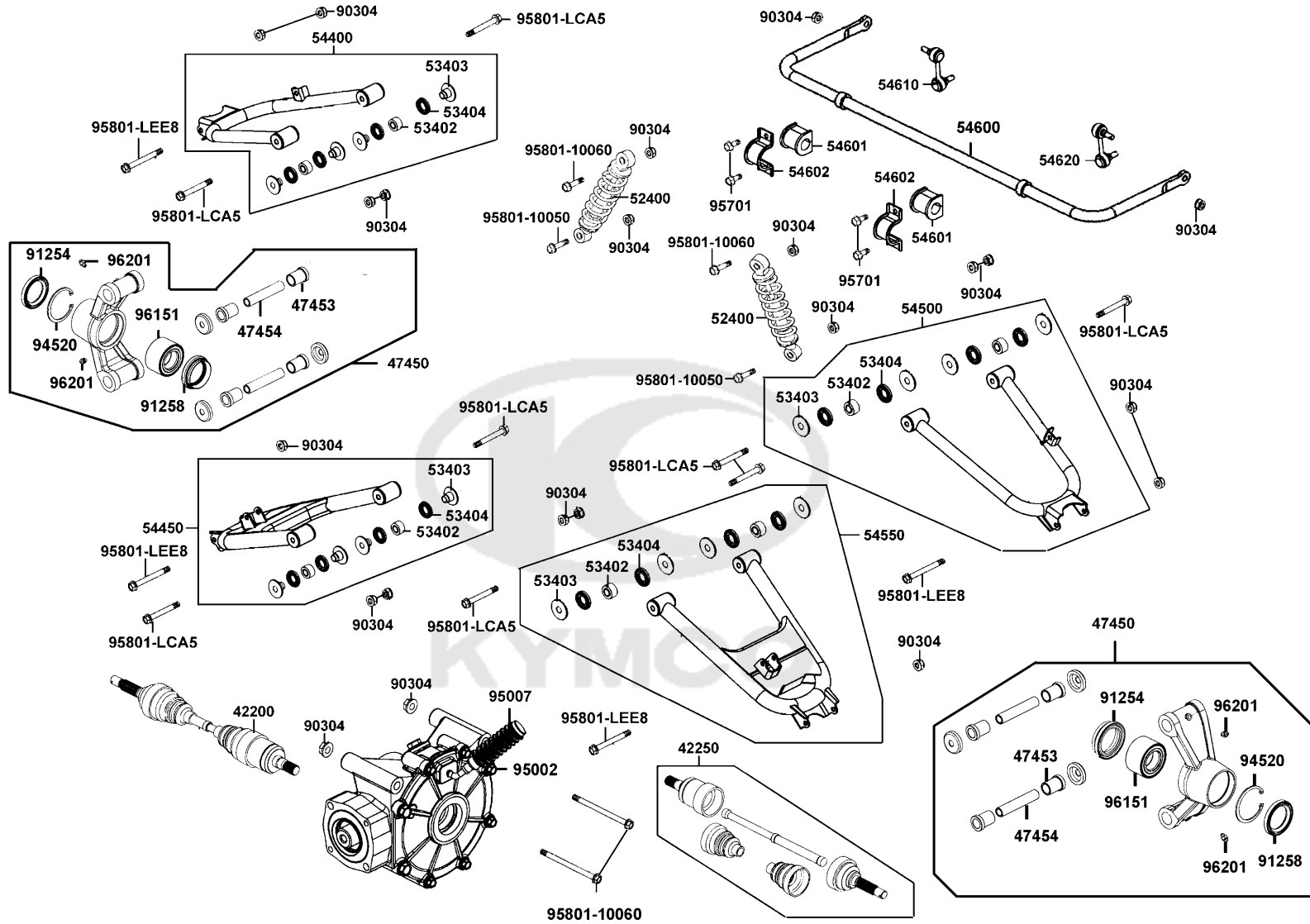
Sales mark	Ref no	Part no	Description	Reg description	Regd no	<b>F15</b>
------------	--------	---------	-------------	-----------------	---------	------------

95801		95801-08016-06	BOLT FLANGE 8*16	BOLT FLANGE 8*16	3	
96211		96211-08000	BALL STEEL #8	BALL STEEL #8	1	



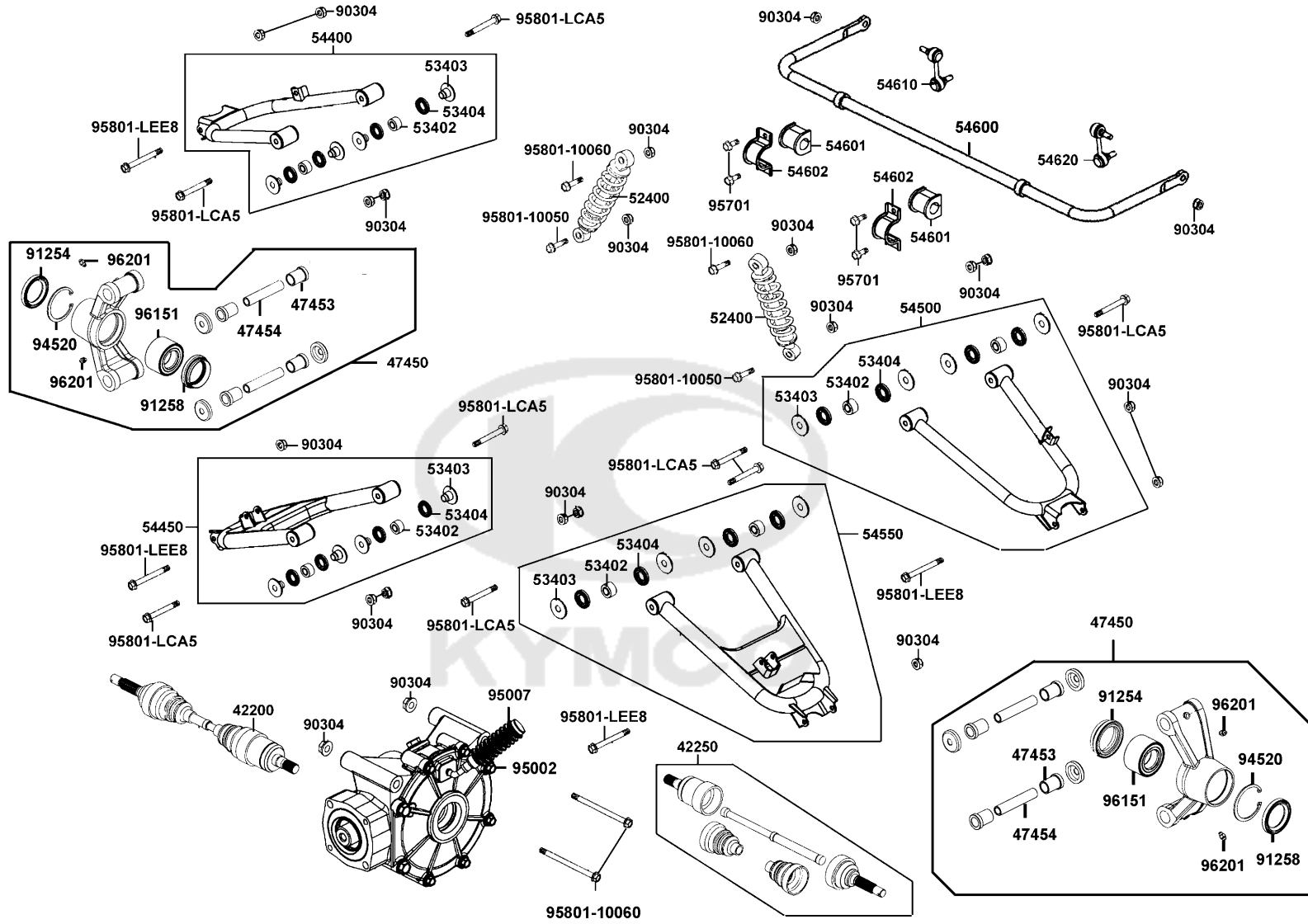
F16

# Cushion Right Arm Rr Swing

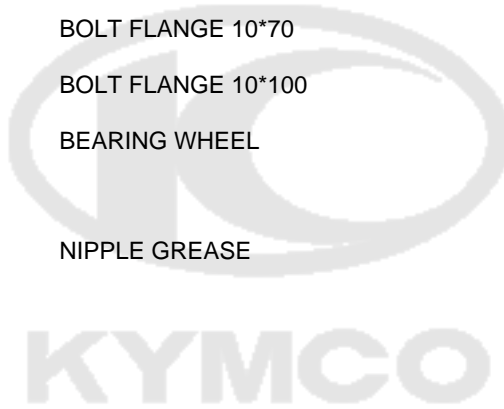


Sales mark	Ref no	Part no	Description	Reg description	Regd no	F16
42200		42200-LKM8-700	HALF SHAF REAR RH	HALF SHAF REAR RH	1	
42250		42250-LKM8-700	HALF SHAFT REAR LH	HALF SHAFT REAR LH	1	
47450		47450-LKM8-700	KNUCKLE ASSY REAR	KNUCKLE ASSY REAR	2	
47453		47453-LEE8-E00	BUSH RR KNUCKLE	BUSH RR KNUCKLE	4	
47454		47454-LEE8-E00	COLLAR RR KNUCKLE	COLLAR RR KNUCKLE	2	
52400		52400-LKM8-E00	CUSHION ASSY RR	CUSHION ASSY RR	2	
53402		53402-LEE8-E00	BEARING SPHERICAL PLAIN	BEARING SPHERICAL PLAIN	8	
53403		53403-LEE8-E00	COLLAR SWING ARM	COLLAR SWING ARM	16	
53404		53404-LEE8-E00	DUST SEAL 16*30*4.5	DUST SEAL 16*30*4.5	16	
54400		54400-LKM8-700	A-ARM ASSY RR R SWING UP	A-ARM ASSY RR R SWING UP	1	
54450		54450-LKM8-900	ARM ASSY RR R SWING LOW	ARM ASSY RR R SWING LOW	1	
54500		54500-LKM8-700	A-ARM ASSY RR L SWING UP	A-ARM ASSY RR L SWING UP	1	
54550		54550-LKM8-900	ARM ASSY RR L SWING LOW	ARM ASSY RR L SWING LOW	1	
54600		54600-LEE8-900	BAR STABILIZER	BAR STABILIZER	1	
54601		54601-LEE8-E00	BUSH STABILIZER	BUSH STABILIZER	2	
54602		54602-LEE8-E00	COVER STABILIZER	COVER STABILIZER	2	
54610		54610-LEE8-E00	JOINT STABILIZER R	JOINT STABILIZER R	1	
54620		54620-LEE8-E00	JOINT STABILIZER L	JOINT STABILIZER L	1	
90304		90304-GLW0-90A	NUT U FLANGE 10MM	NUT U FLANGE 10MM	22	
91254		91254-LDB5-E00	SEAL DUST CVJ 38*55*7	SEAL DUST CVJ 38*55*7	1	

# Cushion Right Arm Rr Swing

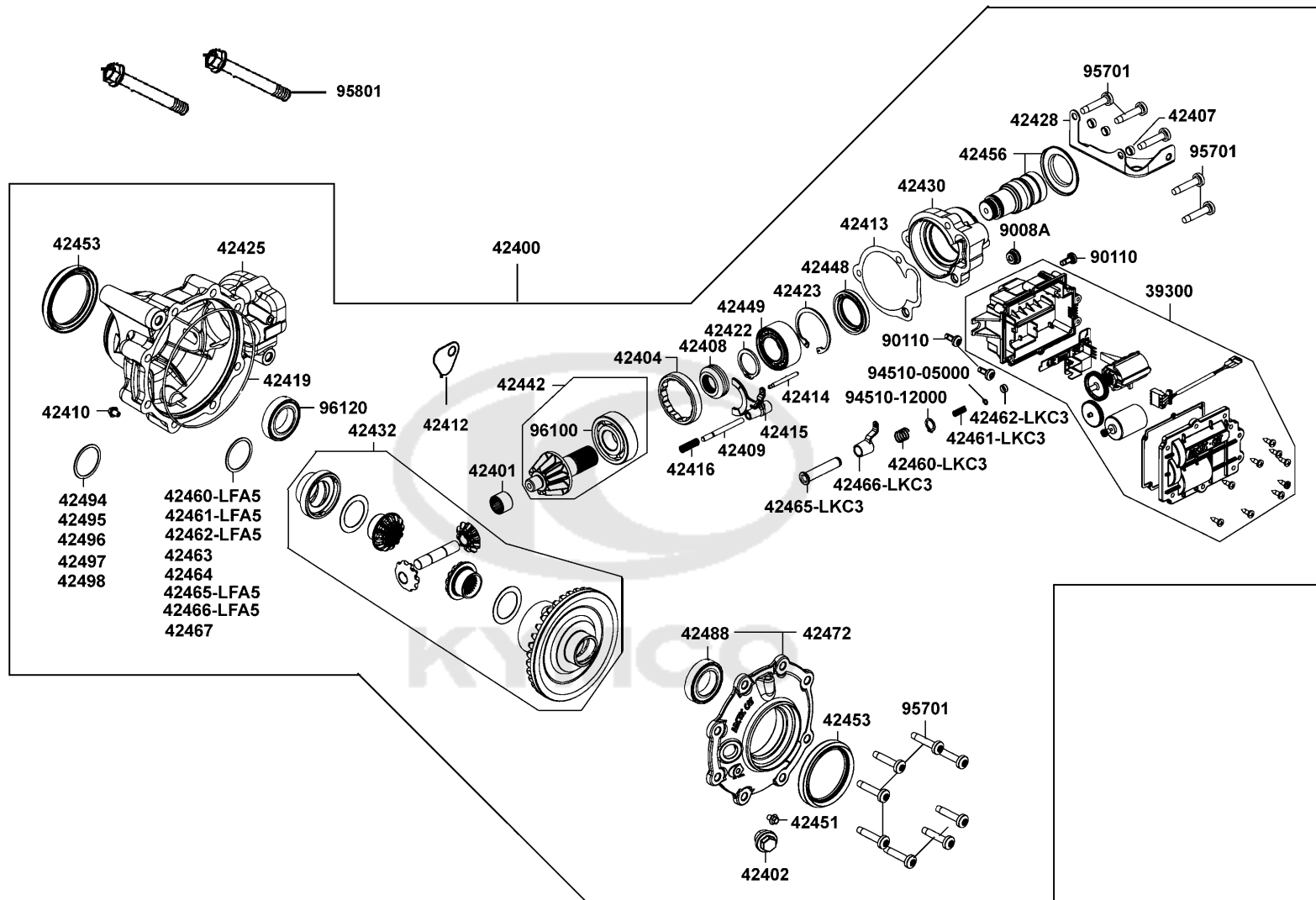


Sales mark	Ref no	Part no	Description	Reg description	Regd no	F16
91258		91258-LDB5-E00	SEAL DUST HUB 38*55*7	SEAL DUST HUB 38*55*7	1	
94520		94520-55000	CIR CLIP IN 55	CIR CLIP IN 55	2	
95002		95002-41150-00	CLIP D11.5 TUBE	CLIP D11.5 TUBE	1	
95007		95007-LKM8-E00	HOSE VENT-GEARCASE	HOSE VENT-GEARCASE	1	
95701		95701-10020-06	BOLT FLANGE 10*20	BOLT FLANGE 10*20	4	
95801-10050		95801-10050-06	BOLT FLANGE 10*50	BOLT FLANGE 10*50	2	
95801-10060		95801-10060-06	BOLT FLANGE 10*60	BOLT FLANGE 10*60	2	
95801-LCA5		95801-LCA5-900	BOLT FLANGE 10*70	BOLT FLANGE 10*70	8	
95801-LEE8		95801-LEE8-E00	BOLT FLANGE 10*100	BOLT FLANGE 10*100	4	
96151		96151-PWB1-900	BEARING WHEEL	BEARING WHEEL	2	
96201		96201-10000	NIPPLE GREASE	NIPPLE GREASE	2	



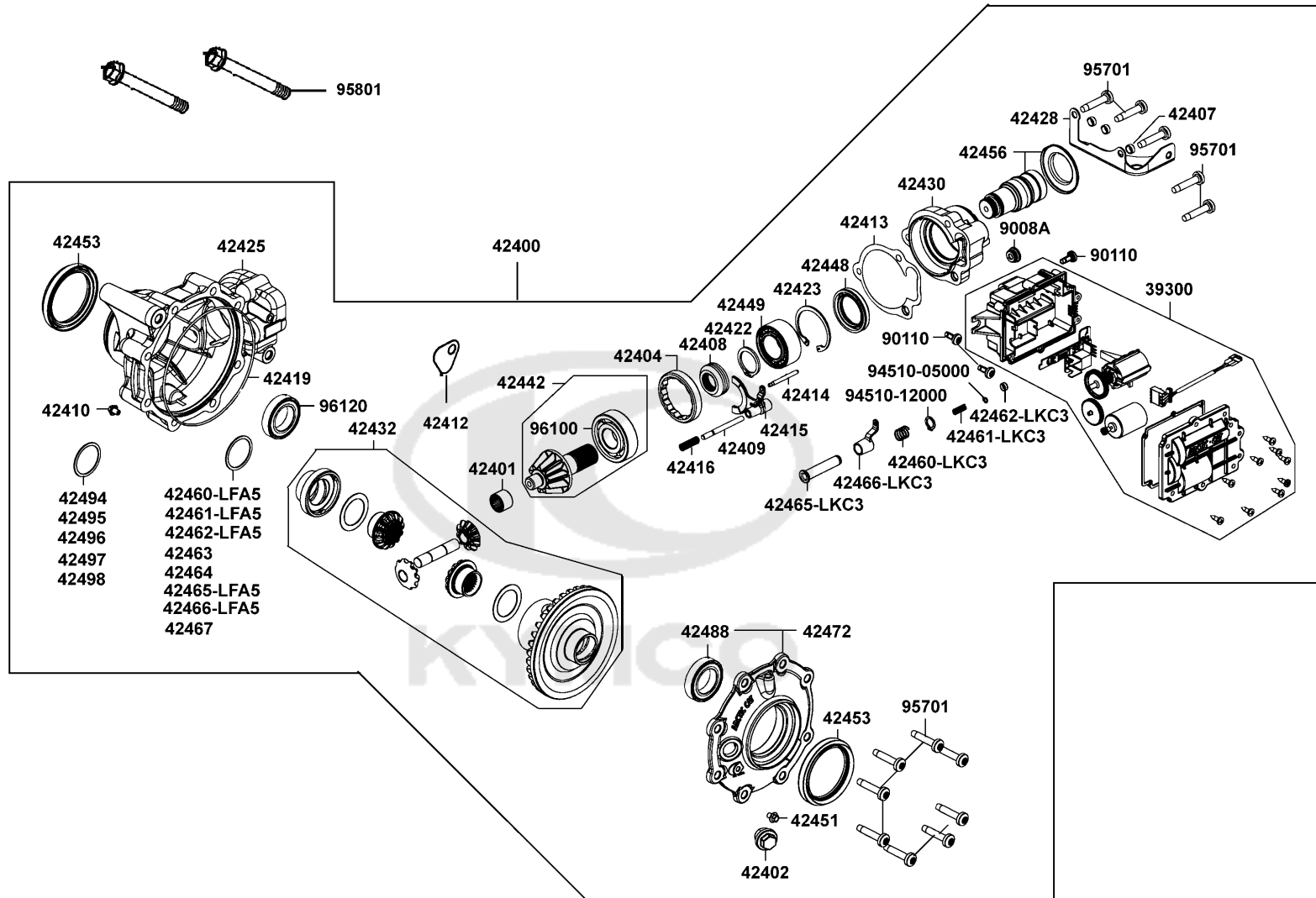


Lsd E-Lock Gearcase Front 3.6



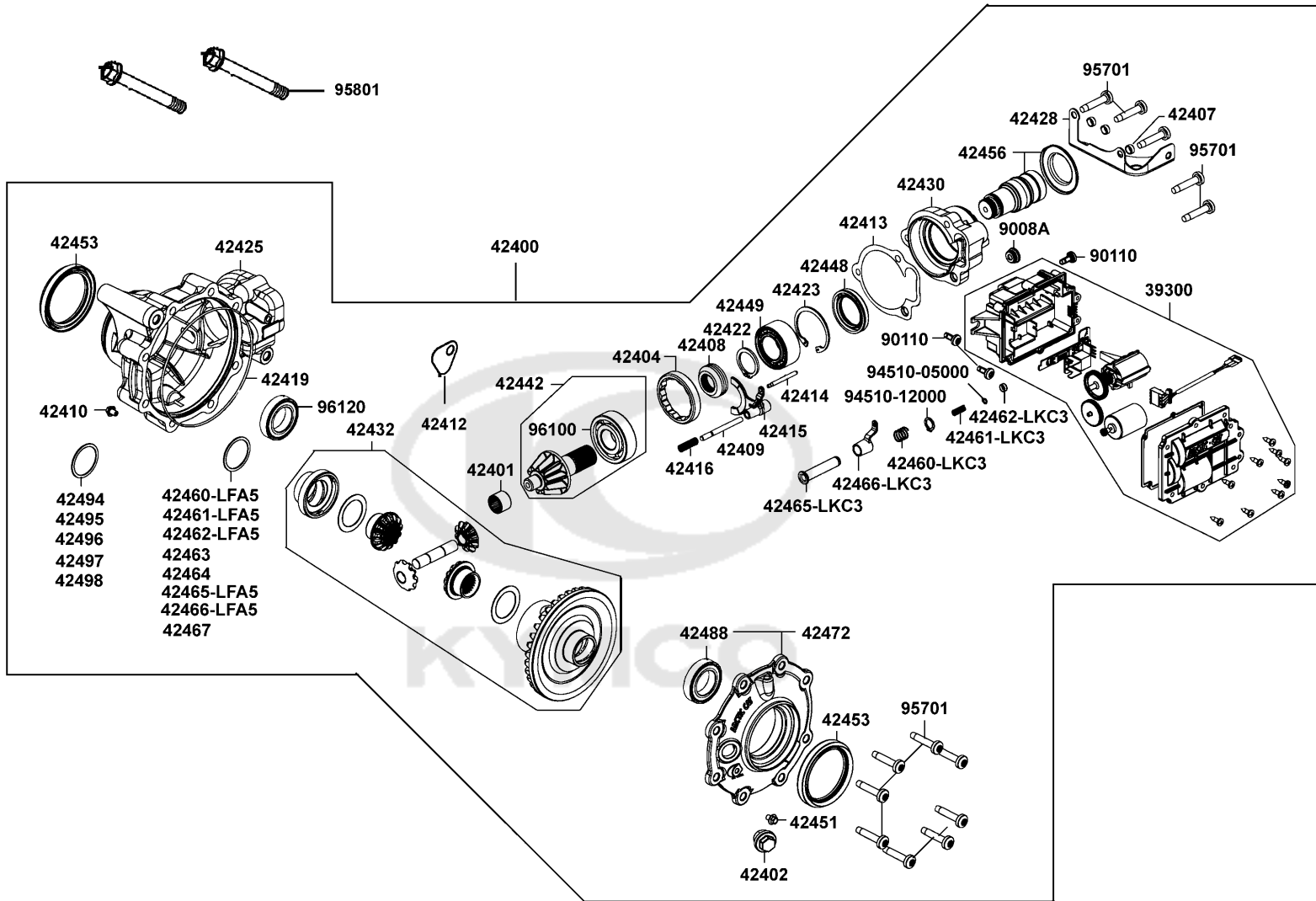
Sales mark	Ref no	Part no	Description	Reg description	Regd no	F17
39300		39300-ALE8-E00	ACTUATOR	ACTUATOR	1	
42400		42400-LKM8-510	LSD E-LOCK GEARCASE REAR	LSD E-LOCK GEARCASE REAR	1	
42401		42401-LFA5-900	BEARING NEEDLE	BEARING NEEDLE	1	
42402		42402-LFA5-900	PLUG FILL	PLUG FILL	1	
42404		42404-LFA5-900	COLLAR LOCK M64X1.5 RH	COLLAR LOCK M64X1.5 RH	1	
42407		42407-LFA5-900	PIN DOWEL	PIN DOWEL	3	
42408		42408-LKC3-510	COUPLER DRIVE	COUPLER DRIVE	1	
42409		42409-LKC3-500	SHAFT E-LOCK SELECTOR	SHAFT E-LOCK SELECTOR	1	
42410		42410-LFA5-900	PLUG DRAIN MAG	PLUG DRAIN MAG	1	
42412		42412-LFA5-900	TAG ID GEARCASE	TAG ID GEARCASE	1	
42413		42413-LKC3-500	GASKET FLANGE	GASKET FLANGE	1	
42414		42414-LKC3-500	SHAFT.,SELECTOR	SHAFT SELECTOR	1	
42415		42415-LKC3-500	FORK SELECTOR	FORK SELECTOR	1	
42416		42416-LKC3-500	COLLAR ACTUATOR	COLLAR ACTUATOR	1	
42419		42419-LKC3-500	GASKET HOUSING	GASKET HOUSING	1	
42422		42422-LFA5-900	RING RETAINING ONE	RING RETAINING ONE	1	
42423		42423-LFA5-900	RING RETAINING	RING RETAINING	1	
42425		42425-LKC3-500	HOUSING GEARCASE-FRONT MACH	HOUSING GEARCASE-FRONT MACH	1	
42428		42428-LKM8-510	BRACKET,ACTUATOR	BRACKET ACTUATOR WELDT	1	
42430		42430-LKM8-510	HOUSING PINION MACH (FRONT)	HOUSING PINION MACH (FRONT)	1	

Lsd E-Lock Gearcase Front 3.6



Sales mark	Ref no	Part no	Description	Reg description	Regd no	F17
	42432	42432-LEE8-810	E-LOCK.OPEN TYPE GEARCASE	E-LOCK.OPEN TYPE GEARCASE	1	
	42442	42442-LKC3-500	PINION(10 TOOTH)-ASSEMBLY	PINION(10 TOOTH)-ASSEMBLY	1	
	42448	42448-LFA5-900	SEAL 38*55*14	SEAL 38*55*14	1	
	42449	42449-LFA5-900	BEARING BALL DOUBLE ROW	BEARING BALL DOUBLE ROW	1	
	42451	42451-LFA5-900	PLUG OIL LEVEL	PLUG OIL LEVEL	1	
	42453	42453-LGC3-900	OIL SEAL 48*84*9	OIL SEAL 48*84*9	1	
	42456	42456-LKM8-510	SHAFT INPUT ASSEMBLY	SHAFT INPUT ASSEMBLY	1	
	42460-LFA5	42460-LFA5-900	SHIM 41*49*1.0	SHIM 41*49*1.0	1	
	42460-LKC3	42460-LKC3-500	SPRING A E-LOCK	SPRING A E-LOCK	1	
	42461-LFA5	42461-LFA5-900	SHIM 41*49*1.1	SHIM 41*49*1.1	1	
	42461-LKC3	42461-LKC3-500	SPRING B E-LOCK	SPRING B E-LOCK	1	
	42462-LFA5	42462-LFA5-900	SHIM 41*49*1.2	SHIM 41*49*1.2	1	
	42462-LKC3	42462-LKC3-500	CAP E-LOCK	CAP E-LOCK	1	
	42463	42463-LFA5-900	SHIM 41*49*1.3	SHIM 41*49*1.3	1	
	42464	42464-LFA5-900	SHIM 41*49*1.4	SHIM 41*49*1.4	1	
	42465-LFA5	42465-LFA5-900	SHIM 41*49*1.5	SHIM 41*49*1.5	1	
	42465-LKC3	42465-LKC3-510	SHAFT SELECTOR	SHAFT SELECTOR	1	
	42466-LFA5	42466-LFA5-900	SHIM 41*49*1.6	SHIM 41*49*1.6	1	
	42466-LKC3	42466-LKC3-500	STAY..SELECTOR	STAY..SELECTOR	1	
	42467	42467-LFA5-900	SHIM 41*49*1.7	SHIM 41*49*1.7	1	

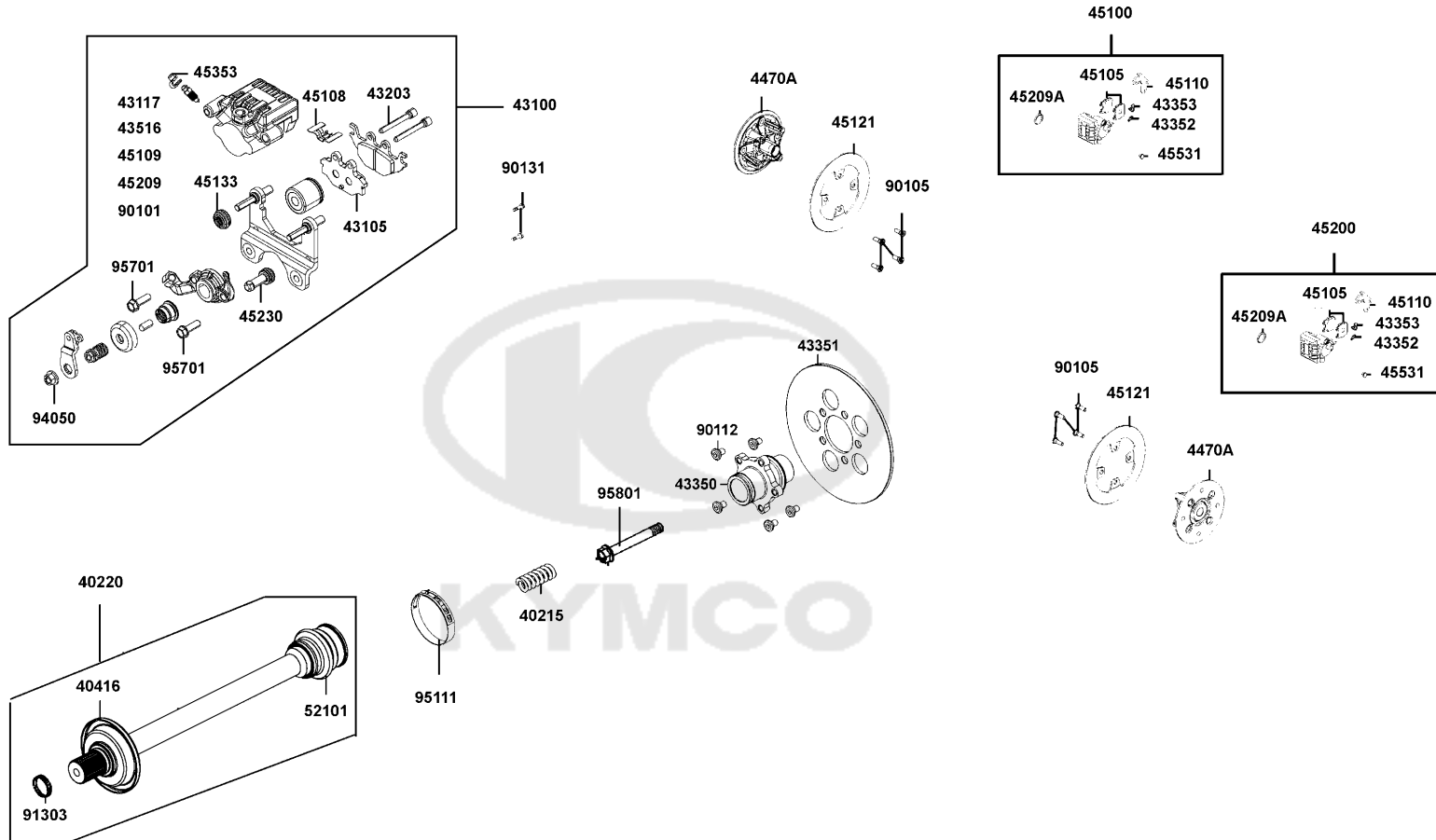
Lsd E-Lock Gearcase Front 3.6



Sales mark	Ref no	Part no	Description	Reg description	Regd no	F17
42472		42472-LKM8-500	COVER LOCK ASSEMBLY	COVER LOCK ASSEMBLY	1	
42488		42488-LEE8-E00	BEARING BALL	BEARING BALL	1	
42494		42494-LEE8-E00	SHIM 61*69*1.3mm	SHIM 61*69*1.3mm	1	
42495		42495-LEE8-E00	SHIM 61*69*1.4mm	SHIM 61*69*1.4mm	1	
42496		42496-LEE8-E00	SHIM 61*69*1.5mm	SHIM 61*69*1.5mm	1	
42497		42497-LEE8-E00	SHIM 61*69*1.6mm	SHIM 61*69*1.6mm	1	
42498		42498-LEE8-E00	SHIM 61*69*1.7 mm	SHIM 61*69*1.7 mm	1	
9008A		9008A-LKC3-500	CAP ASSY E-LOCK	CAP ASSY E-LOCK	1	
90110		90110-LFA5-900	BOLT SPECIAL 6X12	BOLT SPECIAL 6X12	1	
94510-05000		94510-05000	CIR CLIP EX5	CIR CLIP EX5	1	
94510-12000		94510-12000	CIR CLIP EXTERNAL 12	CIR CLIP EXTERNAL 12	1	
95701		95701-08040-06	BOLT FLANGE 8x40 (G)	BOLT FLANGE 8x40 (G)	1	
95801		95801-10110-06	BOLT FLANGE 10*110	BOLT FLANGE 10*110	2	
96100		96100-63050-00	BRG BALL RADIAL 6305	BRG BALL RADIAL 6305	1	
96120		96120-60080-00	BEARING BALL 6008Z	BEARING BALL 6008Z	1	

F18

# Caliper Assy Rear

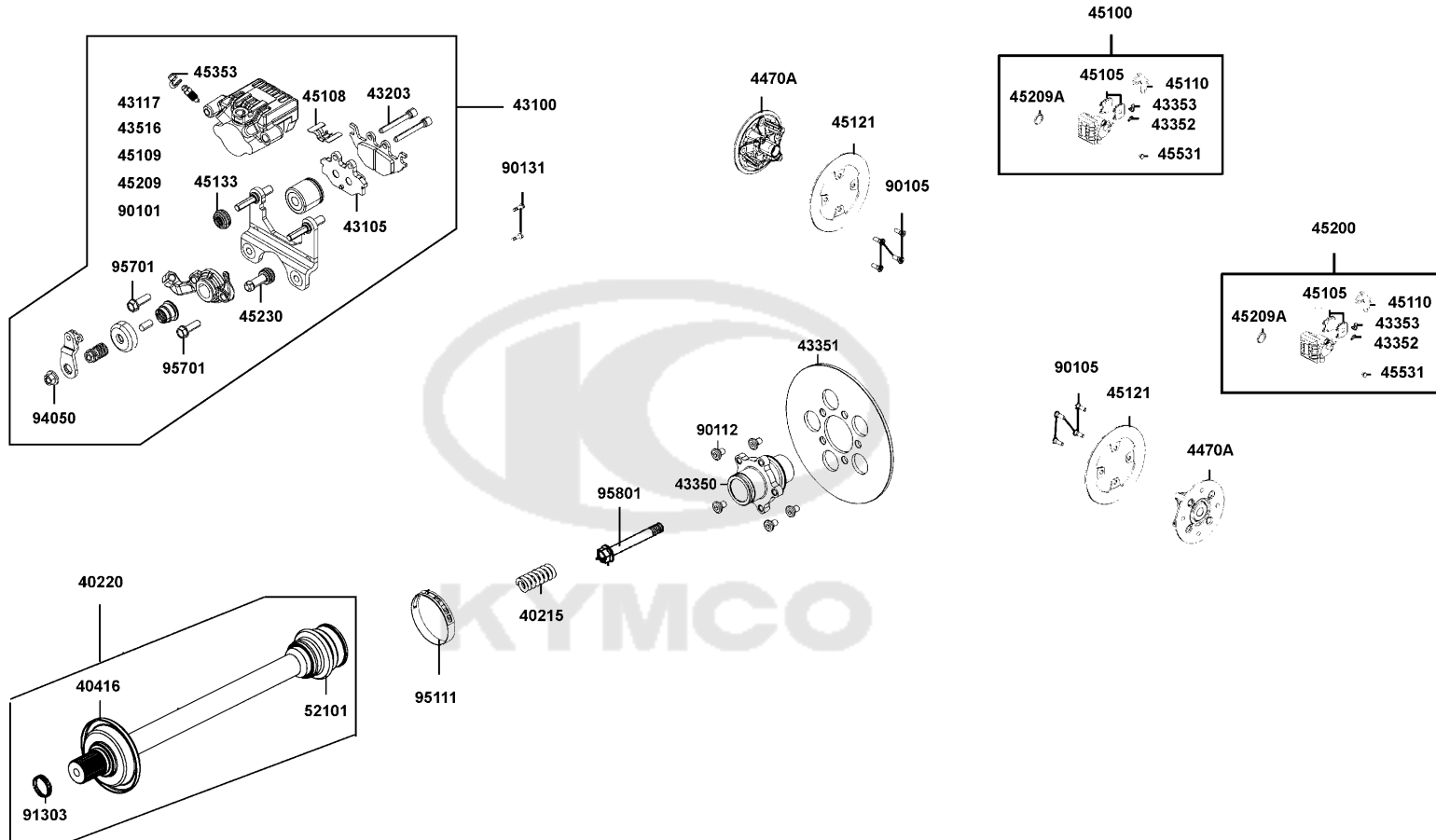


Sales mark	Ref no	Part no	Description	Reg description	Regd no	<b>F18</b>
	40215	40215-LEE8-E00	SPRING RR PROPELLER	SPRING RR PROPELLER	1	
	40220	40220-LKM8-E01	SHAFT ASSY REAR	SHAFT ASSY REAR	1	
	40416	40416-LDB5-E00	UNIVERSAL JOINT PLATE	UNIVERSAL JOINT PLATE	1	
**	43100	43100-LKM8-700	CALIPER ASSY RR	CALIPER ASSY RR	1	
	43105	43105-LEE8-305	PAD ASSY	PAD ASSY	1	
	43117	43117-LEE8-E00	CLIP	CLIP	1	
	43203	43203-LEE8-E00	PIN HANGER	PIN HANGER	2	
	43350	43350-LKM8-700	HOLDER RR BRK DISK	HOLDER RR BRK DISK	1	
	43351	43351-LKM8-900	DISK RR BRK	DISK RR BRK	1	
	43352	43352-KKD6-E90	SCREW BLEEDER	SCREW BLEEDER	2	
	43353	43353-4A61-77A	CAP BLEEDER	CAP BLEEDER	2	
	43516	43516-LEE8-E00	O-RING	O-RING	1	
	4470A	4470A-LEE8-900	HUB ASSY FRONT WHEEL	HUB ASSY FRONT WHEEL	2	
**	45100	45100-LFE9-E00	CALIPER ASSY FR BRK-RH	CALIPER ASSY FR BRK-RH	1	
	45105	45105-LFE9-305	PAD SET	PAD SET	2	
	45108	45108-LBA7-900	SPRING PAD	SPRING PAD	1	
	45109	45109-KKC4-900	DUST SEAL	DUST SEAL	1	
	45110	45110-LFE9-305	BRACKET	BRACKET	2	
	45121	45121-LKM8-900	DISK FR BRAKE	DISK FR BRAKE	2	
	45133	45133-LBA7-900	BOOT A	BOOT A	1	



F18

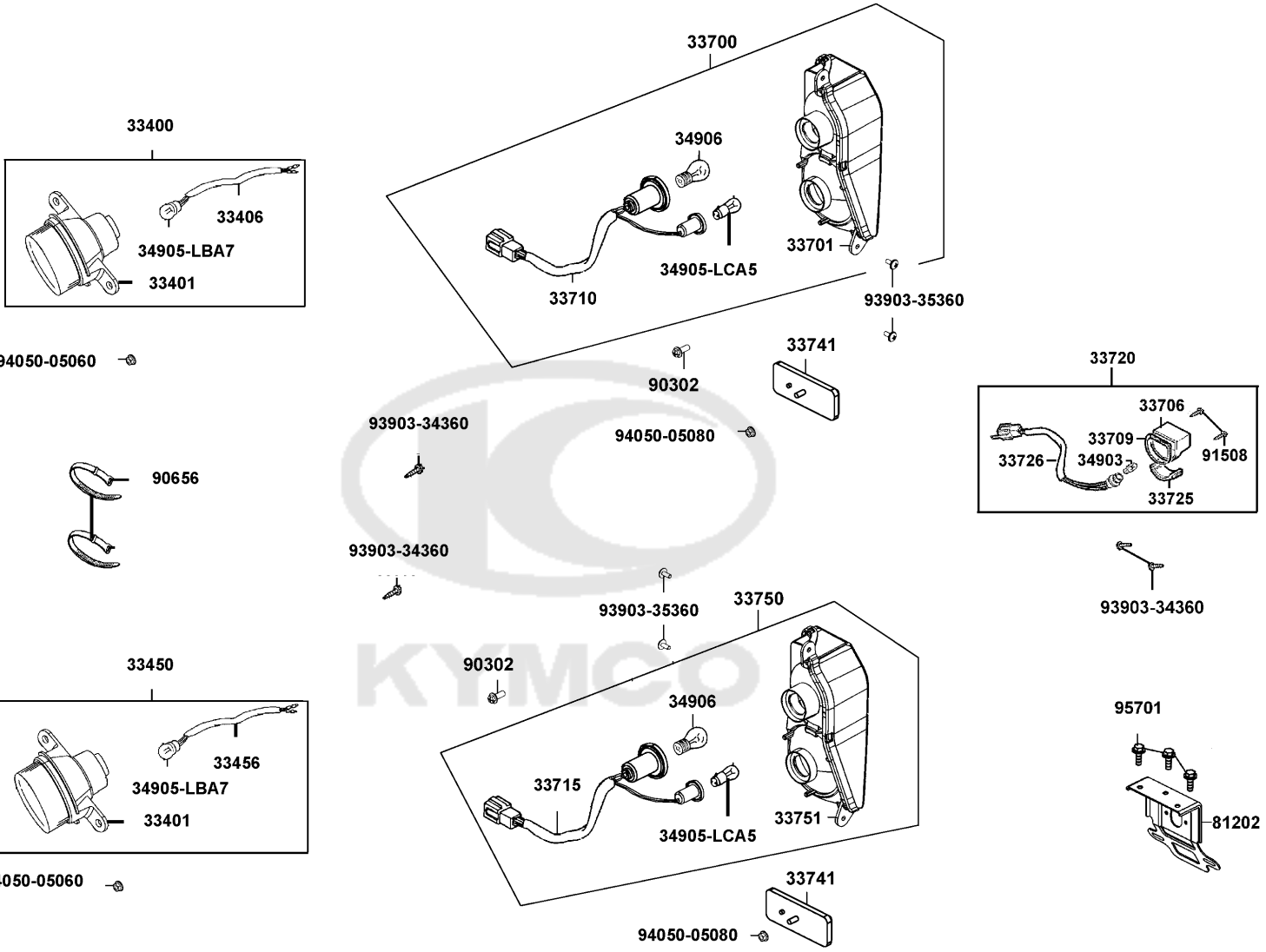
Caliper Assy Rear



Sales mark	Ref no	Part no	Description	Reg description	Regd no	F18
**	45200	45200-LFE9-E00	CALIPER ASSY FR BRK-LH	CALIPER ASSY FR BRK-LH	1	
	45209	45209-KFA6-900	SEAL PISTON	SEAL PISTON	1	
	45209A	45209-LFE9-E00	SEAL PISTON	SEAL PISTON	2	
	45230	45230-LBA7-900	BUSH PIN	BUSH PIN	1	
	45353	45353-LBA7-900	CAP BLEEDER	CAP BLEEDER	1	
	45531	45531-GAR1-951	PLUG	PLUG	2	
	52101	52101-LEE8-E00	BOOT REAR PROPELLER SHAFT	BOOT REAR PROPELLER SHAFT	1	
	90101	90101-LEE8-E00	BOLT PUSH ROD	BOLT PUSH ROD	1	
	90105	90105-MLL0-731	BOLT STEP HOLDER 8*24	BOLT STEP HOLDER 8*24	8	
	90112	90112-LBD4-800	BOLT DISK	BOLT DISK	5	
	90131	90131-LFA5-E00	BOLT FLANGE 8X22	BOLT FLANGE 8X22	2	
	91303	91303-LDB5-E00	O-RING 22MM	O-RING 22MM	1	
	94050	94050-08060	NUT FLANGE 8MM	NUT FLANGE 8MM	1	
	95111	95111-PWB1-900	CLAMP BOOT	CLAMP BOOT	1	
	95701	95701-LEE8-E00	BOLT FLANGE 6*40	BOLT FLANGE 6*40	2	
	95801	95801-10070-06	BOLT FLANGE 10*70	BOLT FLANGE 10*70	1	

F19

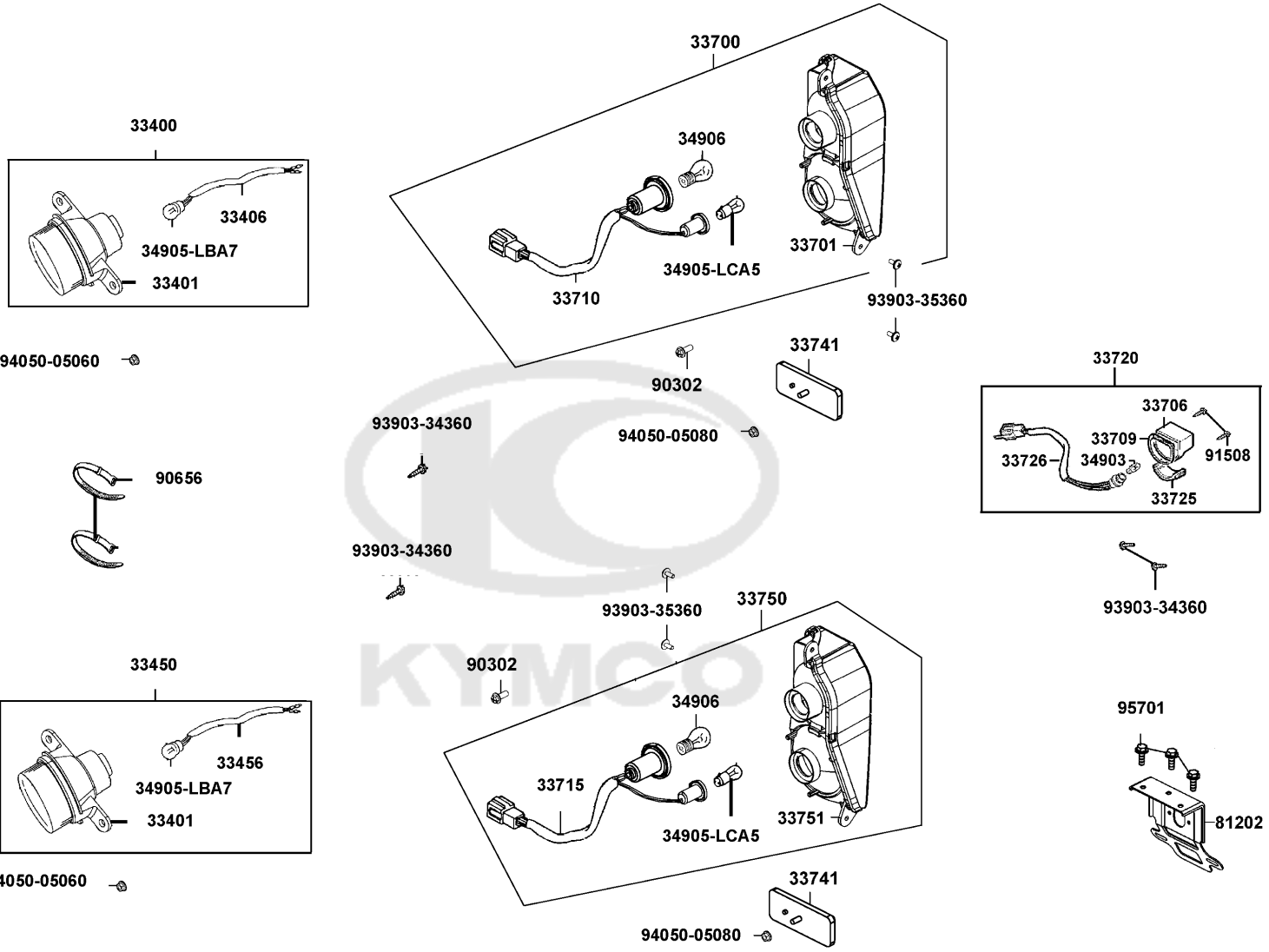
# Light TailWinker Assy Fr



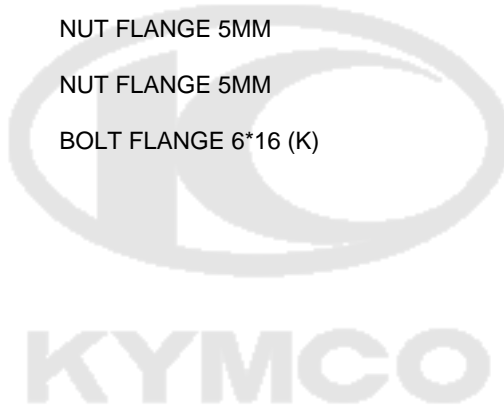
Sales mark	Ref no	Part no	Description	Reg description	Regd no	<b>F19</b>
33400		33400-LEE8-E01	WINKER ASSY R FR	WINKER ASSY R FR	1	
33401		33401-LEE8-E01	UNIT WINKER FR	UNIT WINKER FR	2	
33406		33406-LEE8-E01	SOCKET R COMP	SOCKET R COMP	1	
33450		33450-LEE8-E01	WINKER ASSY L FR	WINKER ASSY L FR	1	
33456		33456-LEE8-E01	SOCKET L COMP	SOCKET L COMP	1	
33700		33700-LEE8-E00	LIGHT ASSY R RR COMB	LIGHT ASSY R RR COMB	1	
33701		33701-LEE8-E00	UNIT TAIL LIGHT R	UNIT TAIL LIGHT R	1	
33706		33706-GCN3-67A	COVER LICENSE	COVER LICENSE	1	
33709		33709-KBAB-003	PACKING LICENSE	PACKING LICENSE	1	
33710		33710-LEE8-E00	SOCKET COMP R RR COMB	SOCKET COMP R RR COMB	1	
33715		33715-LEE8-E00	SOCKET COMP L RR COMB	SOCKET COMP L RR COMB	1	
33720		33720-LCA5-E00	LIGHT ASSY LICENSE	LIGHT ASSY LICENSE	1	
33725		33725-KHB4-E00	LENS KYMCO	LENS LICENSE	1	
33726		33726-LCA5-E00	SOCKET COMP	SOCKET COMP	1	
33741		33741-KHC5-M00	REFLEX REFLECTOR	REFLEX REFLECTOR	2	
33750		33750-LEE8-E00	LIGHT ASSY L RR COMB	LIGHT ASSY L RR COMB	1	
33751		33751-LEE8-E00	UNIT TAIL LIGHT L	UNIT TAIL LIGHT L	1	
34903		34903-KPCP-900	BULB POSITION LIGHT 12V5W **KCP-	BULB POSITION LIGHT 12V5W	1	
34905-LBA7		34905-LBA7-E00	BULB WINKER 12V10W	BULB WINKER 12V10W	2	
34905-LCA5		34905-LCA5-E00	BULB WINKER (12V 10W)	BULB WINKER 12V 10W	2	

F19

# Light TailWinker Assy Fr

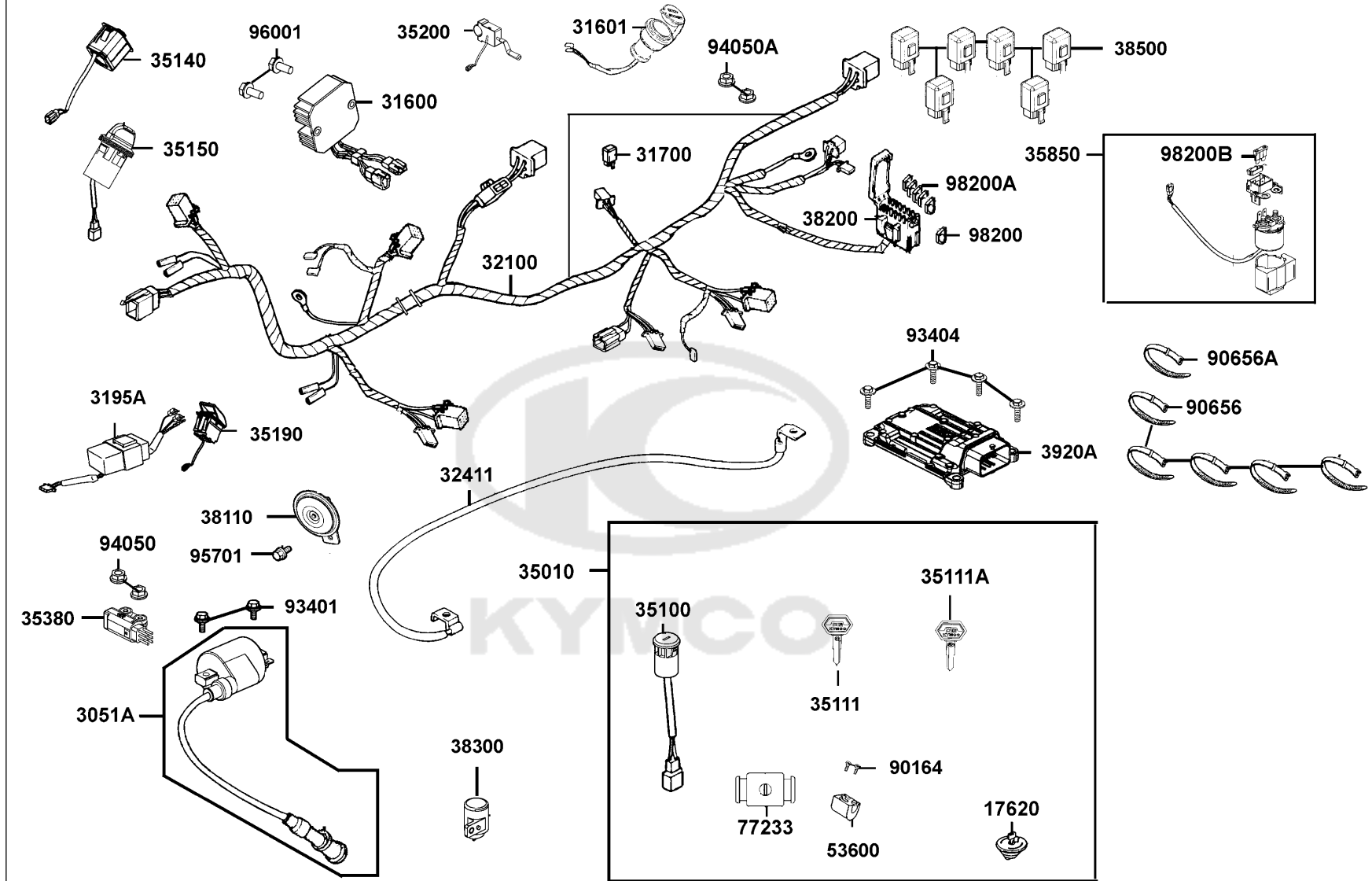


Sales mark	Ref no	Part no	Description	Reg description	Regd no	<b>F19</b>
34906		34906-KPCP-900	BULB TAIL & STOP	BULB TAIL & STOP	2	
81202		81202-LEE8-E00	STAY NUMBER PLATE	STAY NUMBER PLATE	1	
90302		90302-LLB1-E00	BOLT-WASHER 5*12	BOLT-WASHER 5*12	2	
90656		90656-KCBC-900	BAND OIL HANDLE 8X146	BAND OIL HANDLE 8X146	2	
91508		91508-KGV7-67A	SCREW TAPPING 4*14	SCREW TAPPING 4*14	2	
93903-34360		93903-34360	SCREW TAPPING 4X12	SCREW TAPPING 4X12	2	
93903-35360		93903-35360	SCREW TAPPING 5*16	SCREW TAPPING 5*16	4	
94050-05060		94050-05060	NUT FLANGE 5MM	NUT FLANGE 5MM	2	
94050-05080		94050-05080	NUT FLANGE 5MM	NUT FLANGE 5MM	4	
95701		95701-06016-06	BOLT FLANGE 6*16 (K)	BOLT FLANGE 6X16	3	



F20

# Harness Wire

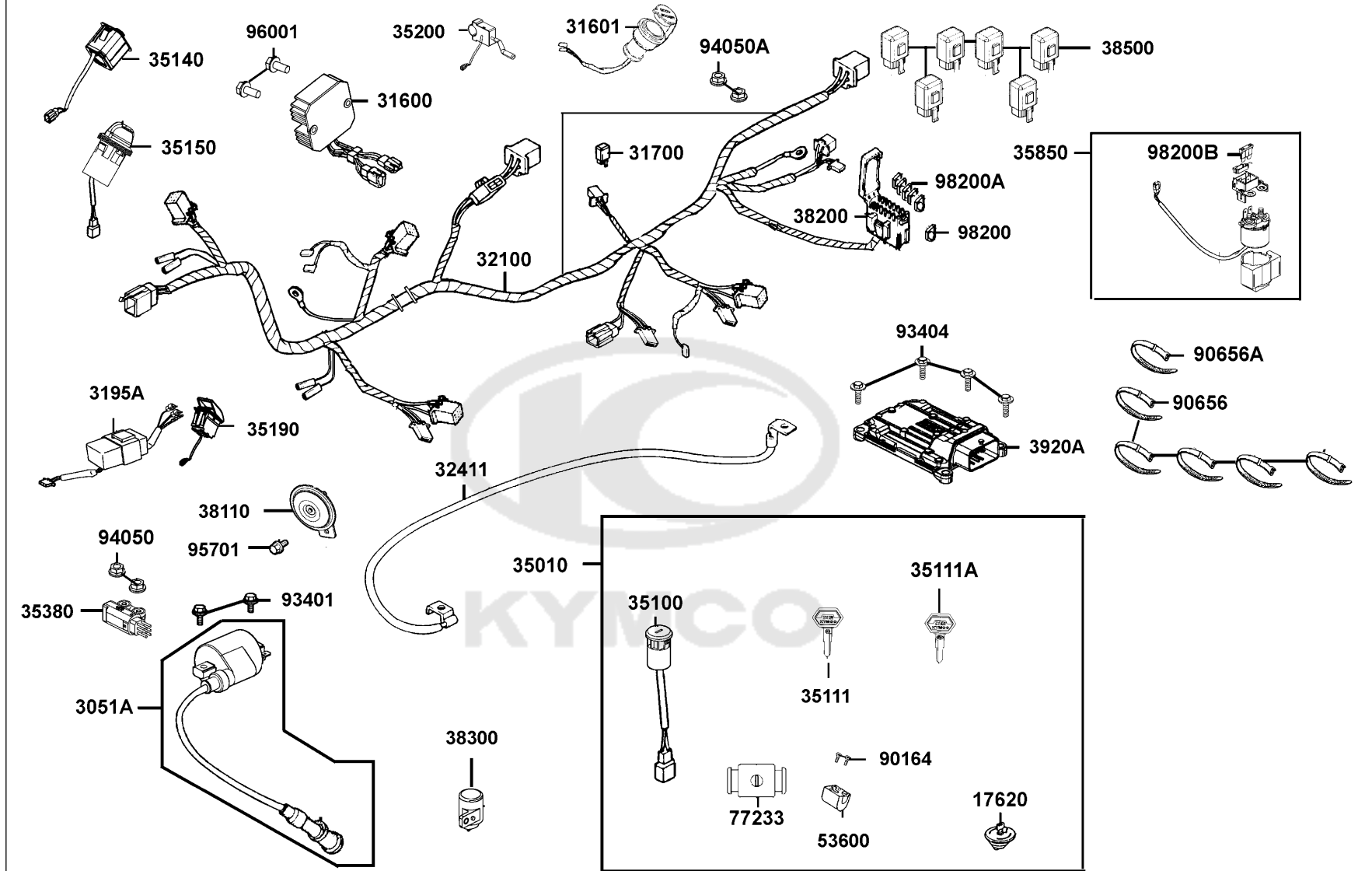


Sales mark	Ref no	Part no	Description	Reg description	Regd no	F20
17620		17620-ACB2-325	CAP SET FUEL FILLER	CAP SET FUEL FILLER	1	
3051A		3051A-LKM8-E00	COIL ASS Y IGNITION	COIL ASS'Y IGNITION	1	
31600		31600-PRB2-900	REG RECT COMP	REG RECT COMP	1	
31601		31601-LDB5-E00	SOCKET COMP DC 12V	SOCKET COMP DC 12V	1	
31700		31700-KEC8-E00	RECTIFIER COMP DIODE	RECTIFIER COMP DIODE	1	
3195A		3195A-LBA7-E00	HAZARD CONTROL ASSY	HAZARD CONTROL ASSY	1	
32100		32100-LKM8-E01	HARNESS WIRE	HARNESS WIRE	1	
32411		32411-LEE8-E00	CABLE BAT	CABLE BAT	1	
35010		35010-ACB2-E00	KEY SET	KEY SET	1	
35100		35100-LEE8-325	SW ASSY COMB & START	SW ASSY COMB & START	1	
35111		35111-GFY6-305-M2-T01	KEY COMP /SD/R CUT	KEY COMP /SD/R CUT	1	
35111A		35111-GFY6-305-M2-T02	KEY COMP /SD/L CUT	KEY COMP /SD/L CUT	1	
35140		35140-ALE8-E00	SW UNIT 2WD/4WD/LOCK	SW UNIT 2WD/4WD/LOCK	1	
35150		35150-LEE8-E00	SW UNIT LIGHTING	SW UNIT LIGHTING	1	
35150		35150-LEE8-EV0	SW UNIT LIGHTING (A.H.C.)	SW UNIT LIGHTING (A.H.C.)	1	
35190		35190-LEE8-E00	SW UNIT HAZARD	SW UNIT HAZARD	1	
35200		35200-LEE8-E00	SW ASSY WINKER	SW ASSY WINKER	1	
35380		35380-LEA2-900	SENSOR ANGLE DETECT	SENSOR ANGLE DETECT	1	
35850		35850-LDB5-E00	SET START MAG	SET START MAG	1	
38110		38110-LDB5-E00	HORN COMP	HORN COMP	1	

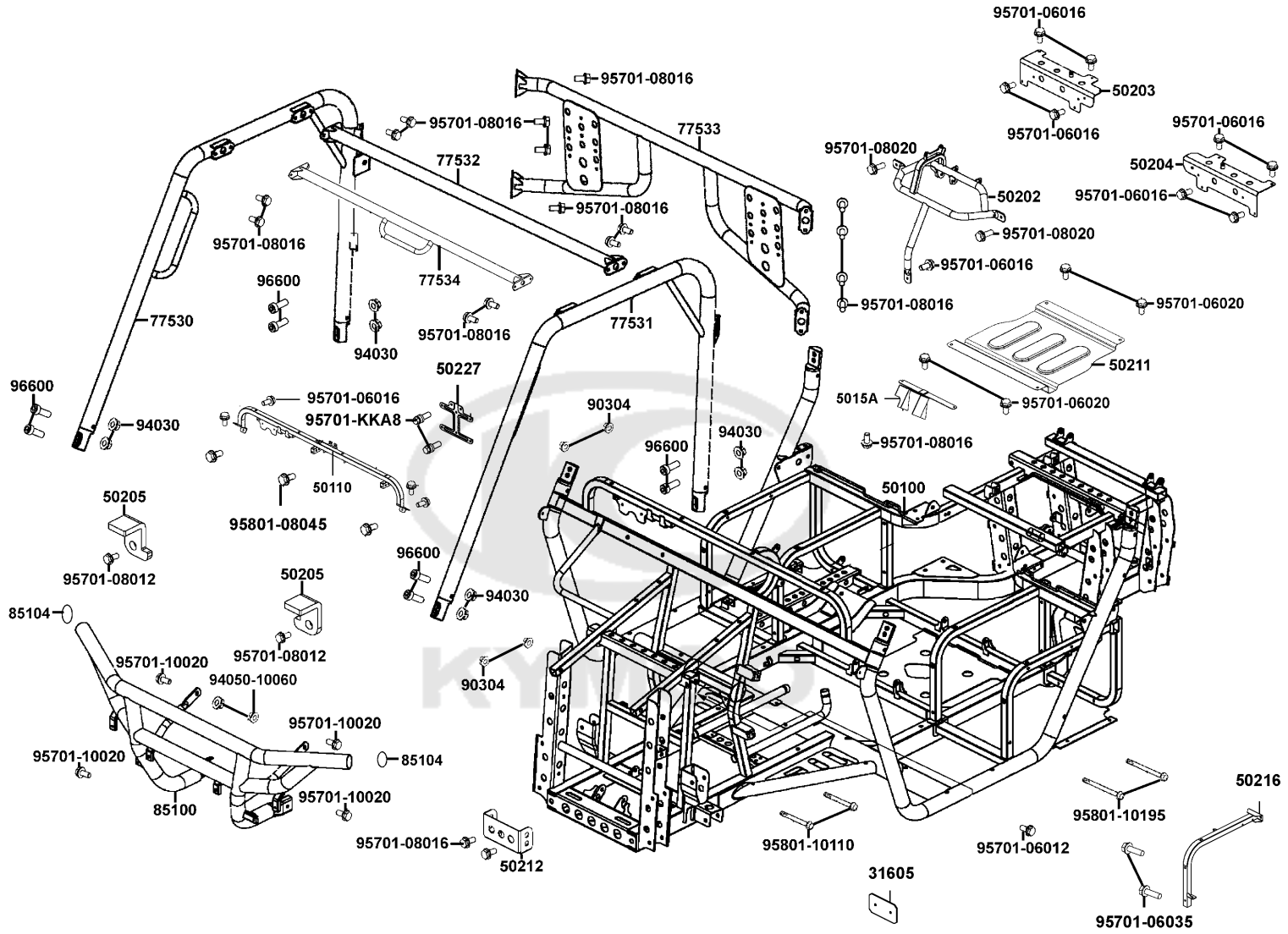


F20

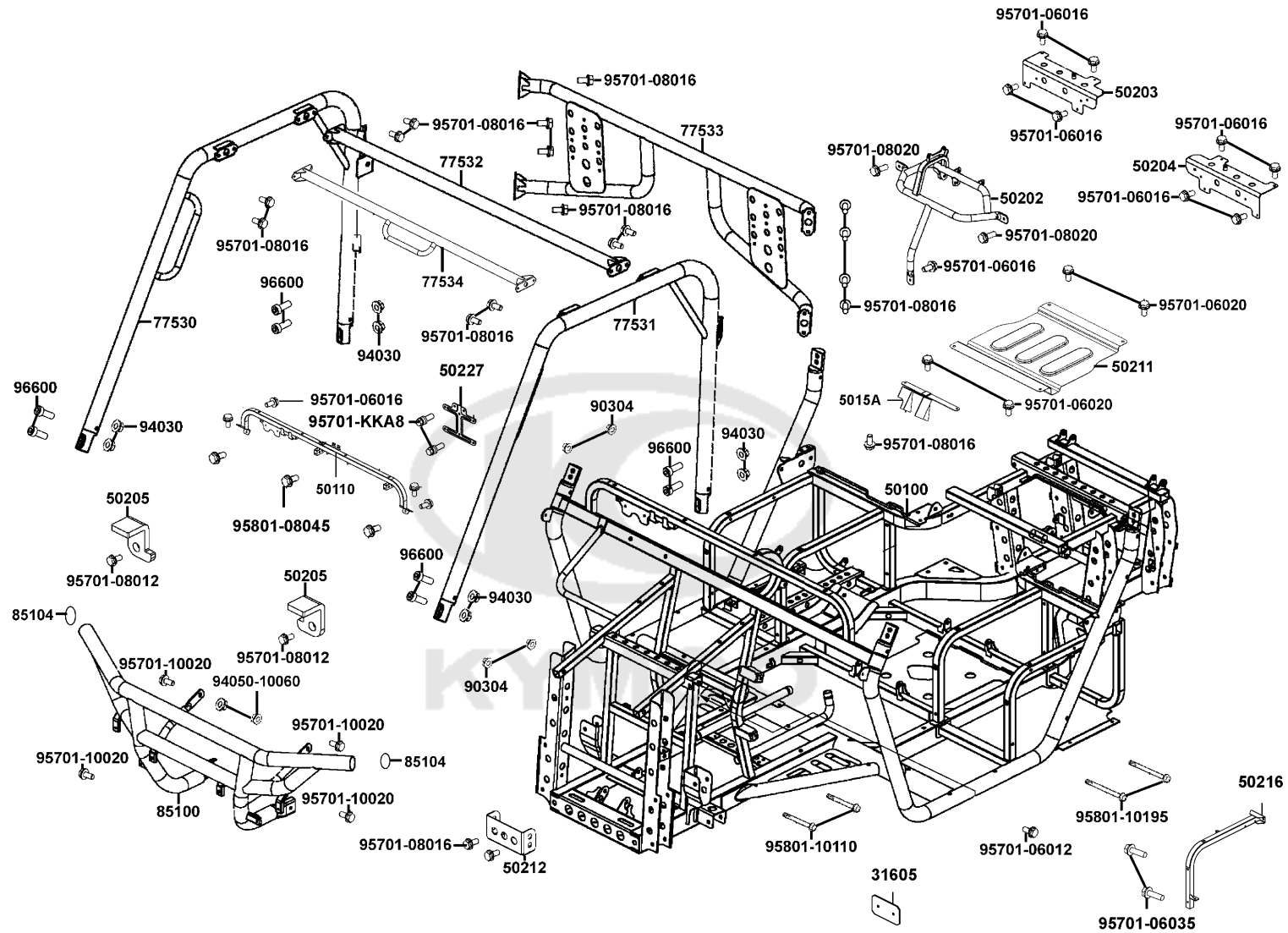
Harness Wire



Sales mark	Ref no	Part no	Description	Reg description	Regd no	<b>F20</b>
	38200	38200-KHE7-900	BOX COMP FUSE	BOX COMP FUSE	1	
	38300	38300-LBC6-900	RELAY COMP WINKER	RELAY COMP WINKER	1	
	38300	38300-LBC6-90A	RELAY COMP WINKER	RELAY COMP WINKER	1	
	38300	38300-LBC6-90B	RELAY COMP WINKER	RELAY COMP WINKER	1	
	38500	38500-LGL3-90A	RELAY ASSY LIGHT	RELAY ASSY LIGHT	2	
	3920A	3920A-LKM8-E00	ASSY ECU	ASSY ECU	1	
	53600	53600-LEE8-325	LOCK STEERING HANDLE	LOCK STEERING HANDLE	1	
	77233	77233-KBCB-345	LOCK ASSY INNER BOX	LOCK ASSY INNER BOX	1	
	90164	90164-0H28-900	SCREW FLAT U LOCK 6*12	SCREW FLAT U LOCK 6*12	2	
	90656	90656-KCBC-900	BAND OIL HANDLE 8X146	BAND OIL HANDLE 8X146	5	
**	90656A	90656-KUDU-900	BAND HARNESS WIRE **KUDU-900	BAND HARNESS WIRE	1	
	93401	93401-04025-06	BOLT WASHER 4X25	BOLT WASHER 4X25	2	
	93404	93404-06020-06	BOLT WASHER 6*20 (G)	BOLT WASHER 6X20	4	
	94050	94050-05060	NUT FLANGE 5MM	NUT FLANGE 5MM	2	
	94050A	94050-06080	NUT FLANGE 6MM	NUT FLANGE 6MM	2	
	95701	95701-06012-06	BOLT FLANGE 6*12 **07 C.2005.07.01	BOLT FLANGE 6X12	1	
	96001	96001-06016-06	BOLT FLANGE SH 6X16	BOLT FLANGE SH 6X16	1	
	98200	98200-31000	BLADE FUSE 10A **(0) C.2005.03.01	BLADE FUSE 10A	1	
	98200A	98200-31500	BLADE FUSE 15A	BLADE FUSE 15A	5	
	98200B	98200-33000	BLADE FUSE 30A	BLADE FUSE 30A	1	



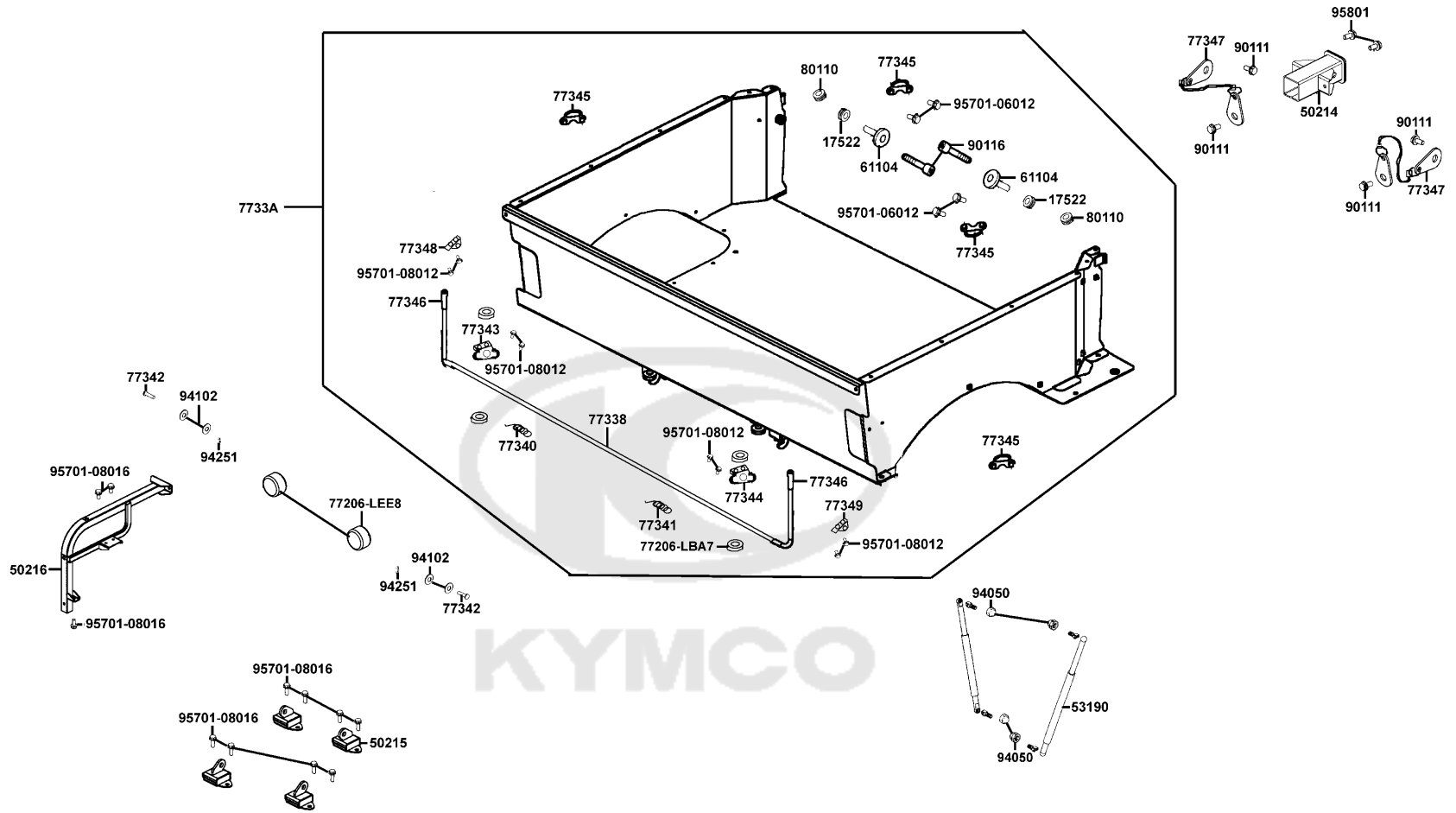
Sales mark	Ref no	Part no	Description	Reg description	Regd no	F21
	31605	31605-LKM8-E00	STAY REG REC COMP	STAY REG REC COMP	1	
	50100	50100-LKM8-700	BODY COMP FRAME	BODY COMP FRAME	1	
	50110	50110-LKM8-700	SUB CROSS PIPE FRAME	SUB CROSS PIPE FRAME	1	
	5015A	5015A-LKM8-700	STAY PROTECTOR ASSY	STAY PROTECTOR ASSY	1	
	50202	50202-LKM8-700	PIPE COMP ENGINE FRONT	PIPE COMP ENGINE FRONT	1	
	50203	50203-LEE8-E00	BRKT R SEAT UPPER	BRKT R SEAT UPPER	1	
	50204	50204-LEE8-E00	BRKT L SEAT UPPER	BRKT L SEAT UPPER	1	
	50205	50205-LEE8-E00	STAY LATCH	STAY LATCH	2	
	50211	50211-LEE8-E00	BRKT PROTECTOR	BRKT PROTECTOR	1	
	50212	50212-LEE8-E00	BRKT DIFFERENTIAL GEAR	BRKT DIFFERENTIAL GEAR	1	
	50216	50216-LKC3-E00	SUPPORT PIPE. SEAT INSIDE	SUPPORT PIPE. SEAT INSIDE	1	
	50227	50227-LKA8-E00	STAY. ECU	STAY. ECU	1	
**	77530	77530-LEE8-E00	R PIPE COMP.. ROOF	R PIPE COMP.. ROOF	1	
	77531	77531-LEE8-E00	L PIPE COMP ROOF	L PIPE COMP ROOF	1	
**	77532	77532-LEE8-E00	CROSS PIPE COMP RR ROOF	CROSS PIPE COMP RR ROOF	2	
**	77533	77533-LEE8-E00	REAR PIPE COMP ROOF	REAR PIPE COMP ROOF	1	
	77534	77534-LEE8-E00	CROSS PIPE COMP FR ROOF	CROSS PIPE COMP FR ROOF	1	
**	85100	85100-LEE8-E00	PIPE COMP FR BUMPER	PIPE COMP FR BUMPER	1	
	85104	85104-LEE8-E00	CAP BUMPER	CAP BUMPER	2	
	90304	90304-GLW0-90A	NUT U FLANGE 10MM	NUT U FLANGE 10MM	4	



Sales mark	Ref no	Part no	Description	Reg description	Regd no	F21
94030		94030-10080	NUT HEX 10MM	NUT HEX 10MM	8	
94050-10060		94050-10060	NUT FLANGE 10MM	NUT FLANGE 10MM	2	
95701-06012		95701-06012-06	BOLT FLANGE 6*12 **07 C.2005.07.01	BOLT FLANGE 6X12	1	
95701-06016		95701-06016-06	BOLT FLANGE 6*16 (K)	BOLT FLANGE 6X16	13	
95701-06020		95701-06020-06	BOLT FLANGE 6*20	BOLT FLANGE 6*20	4	
95701-06035		95701-06035-06	BOLT FLANGE 6*35	BOLT FLANGE 6*35	2	
95701-08012		95701-08012-06	BOLT FLANGE 8*12	BOLT FLANGE 8*12	2	
95701-08016		95701-08016-06	BOLT FLANGE 8*16	BOLT FLANGE 8*16	19	
95701-08020		95701-08020-06	BOLT FLANGE 8*20MM **07 C.2005.07.01	BOLT FLANGE 8*20MM **07 C.2005.07.01	2	
95701-10020		95701-10020-06	BOLT FLANGE 10*20	BOLT FLANGE 10*20	4	
95701-KKA8		95701-KKA8-900	BOLT TORQUE	BOLT TORQUE	2	
95801-08045		95801-08045-06	BOLT FLANGE 8*45	BOLT FLANGE 8*45	3	
95801-10110		95801-10110-06	BOLT FLANGE 10*110	BOLT FLANGE 10*110	2	
95801-10195		95801-10195-06	BOLT FLANGE 10*195	BOLT FLANGE 10*195	2	
96600		96600-10028-06	SOCKET BOLT 10*28	SOCKET BOLT 10*28	8	

F22

Carrier Luggage



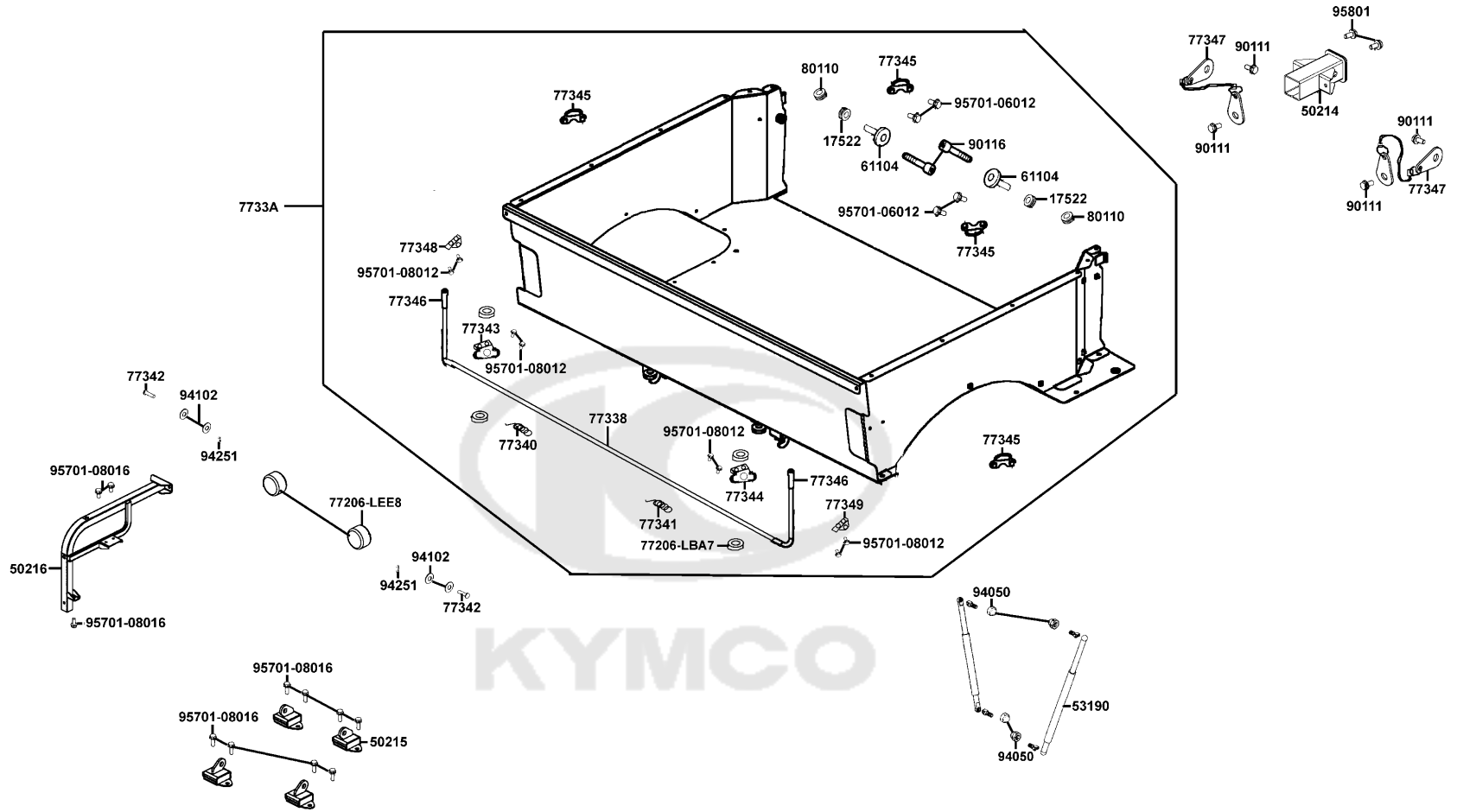
KYMCO

Sales mark	Ref no	Part no	Description	Reg description	Regd no	F22
17522		17522-LLB1-900	RUBBER FUEL TANK	RUBBER FUEL TANK	2	
50214		50214-LKC3-E00	BRKT. TRACTION	BRKT. TRACTION	1	
50215		50215-LEE8-E00	RUBBER DAMPER ENG	RUBBER DAMPER ENG	4	
50216		50216-LKM8-700	SUPPORT PIPE SEAT INSIDE	SUPPORT PIPE SEAT INSIDE	1	
53190		53190-LEE8-E00	GAS DAMPER	GAS DAMPER	2	
61104		61104-3G57-001	COLLAR FR FENDER	COLLAR FR FENDER	2	
77206-LBA7		77206-LBA7-900	RUBBER SEAT CUSH	RUBBER SEAT CUSH	4	
77206-LEE8		77206-LEE8-E00	RUBBER CARGO BED	RUBBER CARGO BED	2	
77338		77338-LEE8-E00	BAR CARGO BED	BAR CARGO BED	1	
7733A		7733A-LKM8-700	CARGO BED ASSY	CARGO BED ASSY	1	
77340		77340-LEE8-E00	SPRING R CARGO BED	SPRING R CARGO BED	1	
77341		77341-LEE8-E00	SPRING L CARGO BED	SPRING L CARGO BED	1	
77342		77342-LEE8-E00	PIN CARGO BED	PIN CARGO BED	2	
77343		77343-LEE8-E00	R BRKT OF BAR CARGO BED	R BRKT OF BAR CARGO BED	1	
77344		77344-LEE8-E00	L BRKT OF BAR CARGO BED	L BRKT OF BAR CARGO BED	1	
77345		77345-LEE8-E00	HOOK CARGO BED	HOOK CARGO BED	4	
77346		77346-LEE8-E00	SLEEVE CARGO BED	SLEEVE CARGO BED	2	
77347		77347-LEE8-E00	ROPE CARGO BED	ROPE CARGO BED	2	
77348		77348-LEE8-E00	STAY R CARGO BED HOOK	STAY R CARGO BED HOOK	1	
77349		77349-LEE8-E00	STAY L CARGO BED HOOK	STAY L CARGO BED HOOK	1	

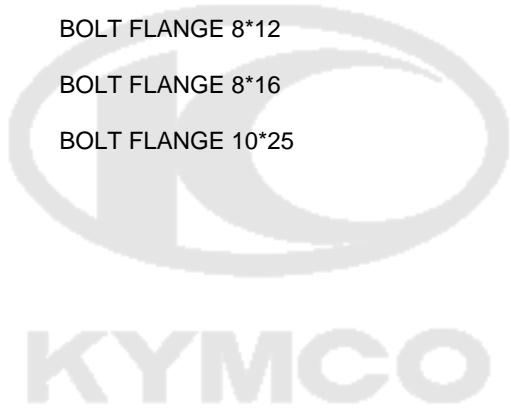


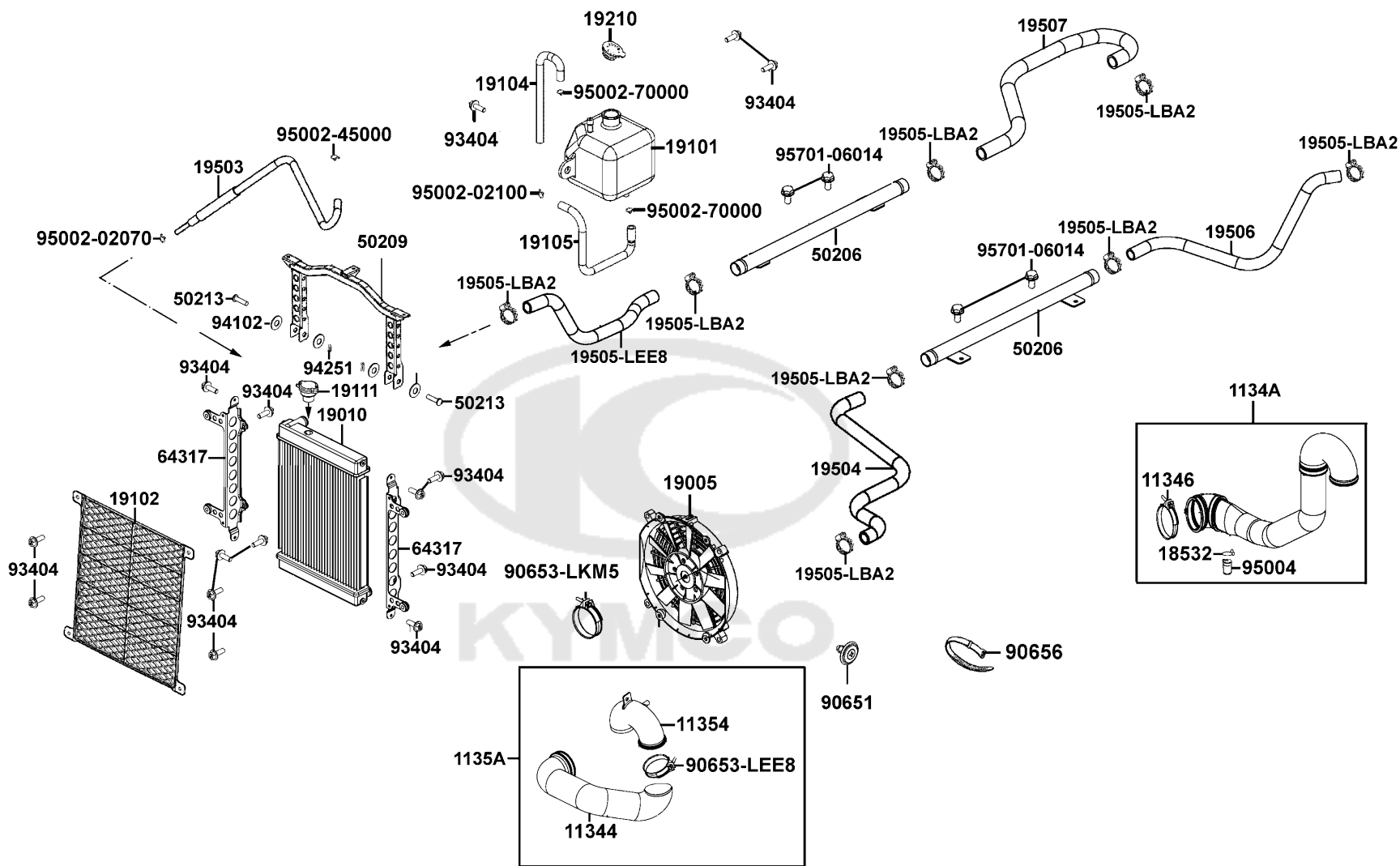
F22

# Carrier Luggage



Sales mark	Ref no	Part no	Description	Reg description	Regd no	F22
80110		80110-LDB5-900	RUBBER FENDER **(0) C.2006.09.07	RUBBER FENDER **(0) C.2006.09.07	2	
90111		90111-1G87-001	BOLT FLANGE 6MM	BOLT FLANGE 6MM	4	
90116		90116-KED9-900	SCREW PAN 6*24	SCREW PAN 6*24	2	
94050		94050-08060	NUT FLANGE 8MM	NUT FLANGE 8MM	4	
94102		94102-12800	WASHER PLAIN 12MM	WASHER PLAIN 12MM	4	
94251		94251-14000	PIN LOCK 14MM	PIN LOCK 14MM	2	
95701-06012		95701-06012-06	BOLT FLANGE 6*12 **07 C.2005.07.01	BOLT FLANGE 6X12	4	
95701-08012		95701-08012-06	BOLT FLANGE 8*12	BOLT FLANGE 8*12	8	
95701-08016		95701-08016-06	BOLT FLANGE 8*16	BOLT FLANGE 8*16	11	
95801		95801-10025-06	BOLT FLANGE 10*25	BOLT FLANGE 10*25	2	

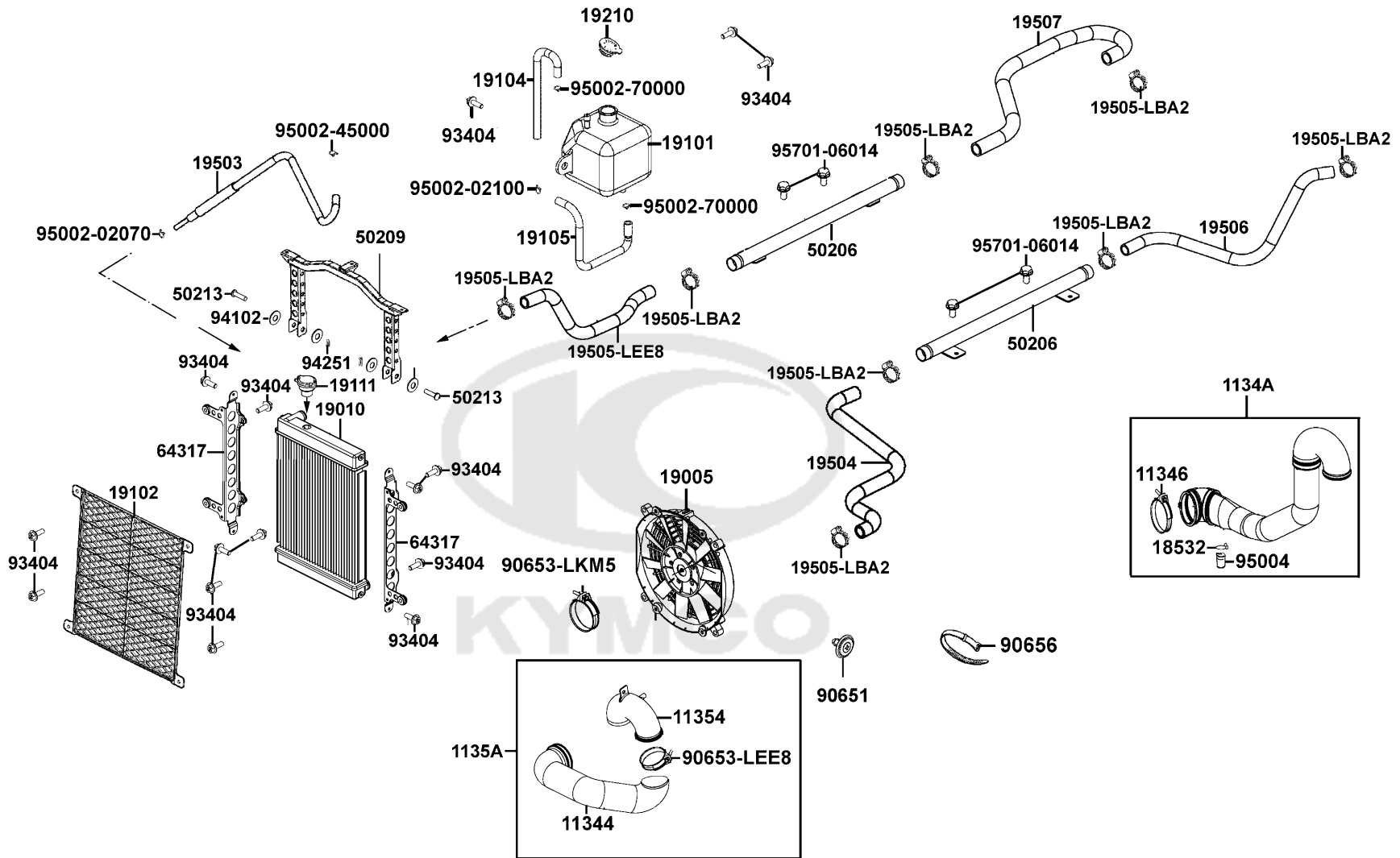




Sales mark	Ref no	Part no	Description	Reg description	Regd no	F23
	11344	11344-LKM8-E00	DUCT B L CASE	DUCT B L CASE	1	
	11346	11346-LKM5-E00	BAND 75X105 FRONT CVT TUBE	BAND 75X105 FRONT CVT TUBE	1	
	1134A	1134A-LKM8-E00	DUCT A ASS L CASE	DUCT A ASS L CASE	1	
	11354	11354-LKM8-E00	CHAMBER DUCT B L COVER	CHAMBER DUCT B L COVER	1	
	1135A	1135A-LKM8-E00	DUCT B ASSY L CASE	DUCT B ASSY L CASE	1	
	18532	18532-6D34-671	CLIP AIR HOSE 21.5	CLIP AIR HOSE 21.5	1	
	19005	19005-LEE8-E0A	SHROUD ASSY	SHROUD ASSY	1	
	19010	19010-LKM8-700	RADIATOR COMP	RADIATOR COMP	1	
	19101	19101-LDB5-E00	TANK RESERVE	TANK RESERVE	1	
**	19102	19102-LEE8-E00	GRILLE RADIATOR	GRILLE RADIATOR	1	
	19104	19104-LEE8-E00	HOSE ASSY DRAIN	HOSE ASSY DRAIN	1	
	19105	19105-LEE8-E00	HOSE ASSY WATER	HOSE ASSY WATER	1	
	19111	19111-GBE2-004	CAP COMP	CAP COMP	1	
	19210	19210-KKC4-900	CAP RESERVE TANK	CAP RESERVE TANK	1	
	19503	19503-LKM8-900	HOSE ASSYWATER	HOSE ASSYWATER	1	
	19504	19504-LEE8-E00	HOSE WATER D	HOSE WATER D	1	
	19505-LBA2	19505-LBA2-E00	CLAMP WATER HOSE	CLAMP WATER HOSE	8	
	19505-LEE8	19505-LEE8-E00	HOSE WATER F PIPE-RADIATOR	HOSE WATER F PIPE-RADIATOR	1	
	19506	19506-LEE8-E00	HOSE WATER G	HOSE WATER G	1	
	19507	19507-LEE8-E00	HOSE WATER H ENG-PIPE	HOSE WATER H ENG-PIPE	1	

F23

Radiator



Sales mark	Ref no	Part no	Description	Reg description	Regd no	F23
	50206	50206-LEE8-E00	WATER PIPE RADIAL	WATER PIPE RADIAL	2	
	50209	50209-LKM8-700	BRKT FRONT FENDER	BRKT FRONT FENDER	1	
	50213	50213-LEE8-E00	PIN FRONT FENDER	PIN FRONT FENDER	2	
	64317	64317-LEE8-E00	STAY RADIATOR	STAY RADIATOR	2	
	90651	90651-LCA5-E00	CLIP FENDER	CLIP FENDER	1	
	90653-LEE8	90653-LEE8-E00	BAND 77 AIR/C CONN TUBE	BAND 77 AIR/C CONN TUBE	1	
	90653-LKM5	90653-LKM5-E00	BAND	BAND	1	
**	90656	90656-KUDU-900	BAND HARNESS WIRE **KUDU-900	BAND HARNESS WIRE	1	
	93404	93404-06016-06	BOLT WASHER 6*16	BOLT WASHER 6*16	14	
	94102	94102-12800	WASHER PLAIN 12MM	WASHER PLAIN 12MM	4	
	94251	94251-14000	PIN LOCK 14MM	PIN LOCK 14MM	2	
	95002-02070	95002-02070	CLIP B7 TUBE	CLIP B7 TUBE	1	
	95002-02100	95002-02100	CLIP B15 TUBE	CLIP B15 TUBE	1	
	95002-45000	95002-45000	CLIP C8 TUBE	CLIP C8 TUBE	1	
	95002-70000	95002-70000	CLIP C11 TUBE	CLIP C11 TUBE	1	
	95004	95004-LBA7-900	TUBE DRAIN	TUBE DRAIN	1	
	95701-06014	95701-06014-06	BOLT FLANGE 6*14	BOLT FLANGE 6*14	4	


**WARNING**

- IMPROPER TIRE PRESSURE OR OVERLOADING CAN CAUSE LOSS OF CONTROL.
- LOSS OF CONTROL CAN RESULT IN SEVERE INJURY OR DEATH.
- OPERATING TIRE PRESSURE: SET WITH TIRES COLD.
- RECOMMENDED : FRONT : 70 kPa (0.70 kgf/cm<sup>2</sup>) , 10 psi
- REAR : 98 kPa (0.98 kgf/cm<sup>2</sup>) , 14 psi
- MINIMUM : FRONT : 63 kPa (0.63 kgf/cm<sup>2</sup>) , 9 psi
- REAR : 91 kPa (0.91 kgf/cm<sup>2</sup>) , 13 psi
- NEVER SET TIRE PRESSURE BELOW MINIMUM.
- TIRE MAY DETACH FROM RIM.
- GROSS VEHICLE WEIGHT RATING: 910 KG (2000 LBS)
- MAXIMUM INCLUDING WEIGHT OF OPERATOR, PASSENGER, ACCESSORIES, CARGO, AND (IF APPLICABLE) TRAILER TONGUE WEIGHT.

87505-LEE9-E00

87505

**WARNING**



- KEEP HANDS, BODY AND OTHER PERSONS AWAY FROM CLOSING CARGO BOX.
- DO NOT OPERATE THE VEHICLE WITH CARGO BOX UP.

87033-LEE9-E00

87033

**WARNING**

VEHICLE ROLLOVER COULD CAUSE SEVERE INJURY OR DEATH.

THIS STRUCTURE IS NOT A CERTIFIED ROLLOVER PROTECTIVE STRUCTURE (ROPS) AND WILL NOT PROTECT OCCUPANTS IN ACCIDENTS AND ROLLOVERS.

87321-LEE9-E00

87321

**WARNING**

EXCESSIVE TIRE PRESSURE OR OVERLOADING CAN CAUSE LOSS OF CONTROL AND RESULT IN SEVERE INJURY OR DEATH.

- SEAT A BELT AT ALL TIMES BEHIND THIS VEHICLE.
- KEEP YOUR HANDS AND FEET INSIDE THE TRUCK AND WATCH FOR HANDLES, REELS, LIDS OR OTHER DEVICES THAT COULD ENTER THE VEHICLE.
- HOLD ON TO THE SEAT BELT AT ALL TIMES TO PROTECT YOURSELF IN ALL ACCIDENTS, INCLUDING ROLLOVERS.
- MOVE SEATBELT UP AND DOWN AS NECESSARY, AVOIDING ACROSS THE SIDE OF AN INCH OR MORE AS THE RISK OF OVERHEATING.
- CHECKS THE TIRE PRESSURE ON A REGULAR BASIS.
- FOLLOW THE WEIGHT OF OPERATOR, PASSENGER, CARGO, ACCESSORIES, AND TONGUE WEIGHT AND TAILER LANGUE WEIGHT (SEE 87505 AND 87515).
- NEVER LOADED BACK DOWN A ROPS AND APPLY BRAKES OR ACCELERATE.
- NEVER OPERATE THE VEHICLE WITH A ROPS DOWN.
- CARGO OR TRAILER CAN AFFECT STABILITY AND HANDLING. WHEN CARGO IS THROWN ON TOING A TRAILER.
- NEVER SPEED.
- ALLOW MORE ROOM TO STOP.
- AVOID HILL AND SLOPE TERRAIN.
- OPERATE THE VEHICLE WITH PROPER TIRE PRESSURE.

87517-LEE9-E00

87517

**WARNING**

EXCEEDING VEHICLE'S TOWING LIMIT COULD CAUSE AN ACCIDENT.

REDUCE SPEED WHEN TOWING A TRAILER.

DO NOT TOW IN REVERSE OVER 5 mph.

HIGH SPEED WILL RESULT IN LOSS OF CONTROL.

READ OWNER'S MANUAL FOR DETAILS.

- MAXIMUM TONGUE WEIGHT: 35 KG (78 LBS).
- MAXIMUM TOWING CAPACITY: 200 KG (441 LBS).

87040-LEE9-E00

87040

**WARNING**

VEHICLE ROLLOVER COULD CAUSE SEVERE INJURY OR DEATH.

THIS STRUCTURE IS NOT A CERTIFIED ROLLOVER PROTECTIVE STRUCTURE (ROPS) AND WILL NOT PROTECT OCCUPANTS IN ACCIDENTS AND ROLLOVERS.

87321-LEE9-E00

87321

Damage to the differential can occur if it is engaged while the vehicle is traveling at high speeds or while the rear wheels are spinning. Stop the vehicle to before engaging the differential.

87322-LKM9-E00

87322

**WARNING**

SEVERE INJURY OR DEATH CAN RESULT IF YOU IGNORE FOLLOWING:

- MAXIMUM LOAD IN CARGO BED: 110 KG (243 LBS).
- BE SURE CARGO IS SECURED. A LOOSE LOAD COULD SHIFT AND CHANGE HANDLING UNEXPECTEDLY.
- LOAD WEIGHT IN THE CARGO BED CENTERED, LOW AND FORWARD. TOP-HEAVY LOAD INCREASES THE RISK OF OVERTURNING.
- NEVER CARRY PASSENGERS IN CARGO BED.

87515-LEE9-E00

87515



87515

**WARNING**

FAILURE TO STOP VEHICLE COMPLETELY BEFORE ENGAGING REVERSE COULD RESULT IN YOUR BEING THROWN FROM THE VEHICLE.

TO ENGAGE REVERSE:

1. STOP VEHICLE COMPLETELY.
2. BRING ENGINE TO IDLE.
3. APPLY BRAKE.
4. SHIFT TRANSMISSION TO NEUTRAL.
5. SHIFT TRANSMISSION INTO REVERSE WHILE APPLYING BRAKE.

WHEN STOPPED:

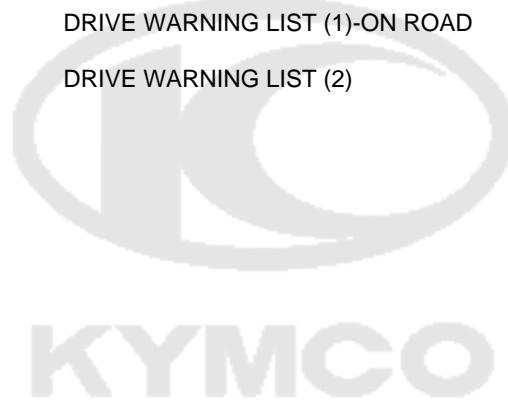
PUT GEAR SELECTOR IN NEUTRAL AND APPLY PARK BRAKE BEFORE LEAVING THE VEHICLE. READ OPERATOR'S MANUAL LOCATED UNDER THE PASSENGER SEAT FOR ADDITIONAL INFORMATION.

WRITE TO KYMCO FOR FREE REPLACEMENT IF MISSING.

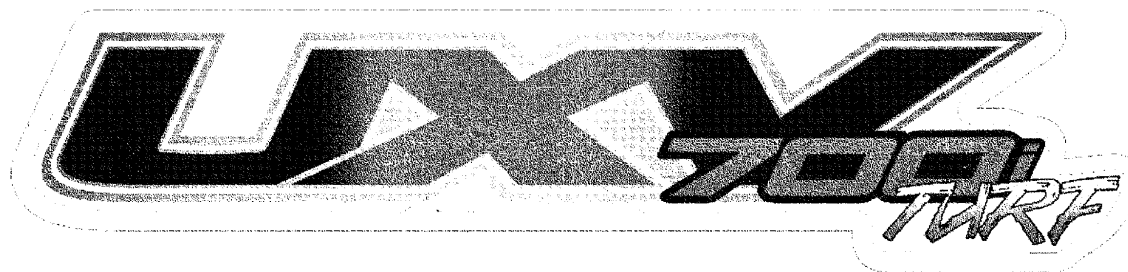
87512-LEE9-E00

87512

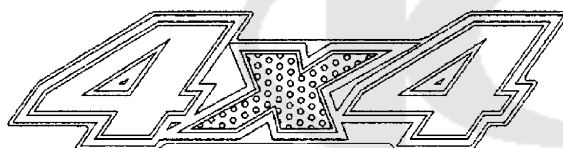
Sales mark	Ref no	Part no	Description	Reg description	Regd no	<b>F24</b>
**	87033	87033-LEE8-E00	WARNING CARGO-PINCH POINT	WARNING CARGO-PINCH POINT	1	
**	87040	87040-LEE8-E01	WARNING TOWING-ON ROAD	WARNING TOWING-ON ROAD	1	
**	87321	87321-LEE8-E00	WARNING CANOPY	WARNING CANOPY	2	
**	87322	87322-LKM8-E00	CAUTION SHIFT LABEL	CAUTION SHIFT LABEL	1	
**	87323	87323-LEE8-E01	WARNING CARGO-ON ROAD	WARNING CARGO-ON ROAD	1	
**	87505	87505-LEE8-E00	LABEL TIRE	LABEL TIRE	1	
**	87512	87512-LEE8-E00	WARNING ENGAGE REVERSE	WARNING ENGAGE REVERSE	1	
**	87515	87515-LEE8-E01	DRIVE WARNING LIST (1)-ON ROAD	DRIVE WARNING LIST (1)-ON ROAD	1	
**	87517	87517-LEE8-E01	DRIVE WARNING LIST (2)	DRIVE WARNING LIST (2)	1	







86101



86303



86102



86182



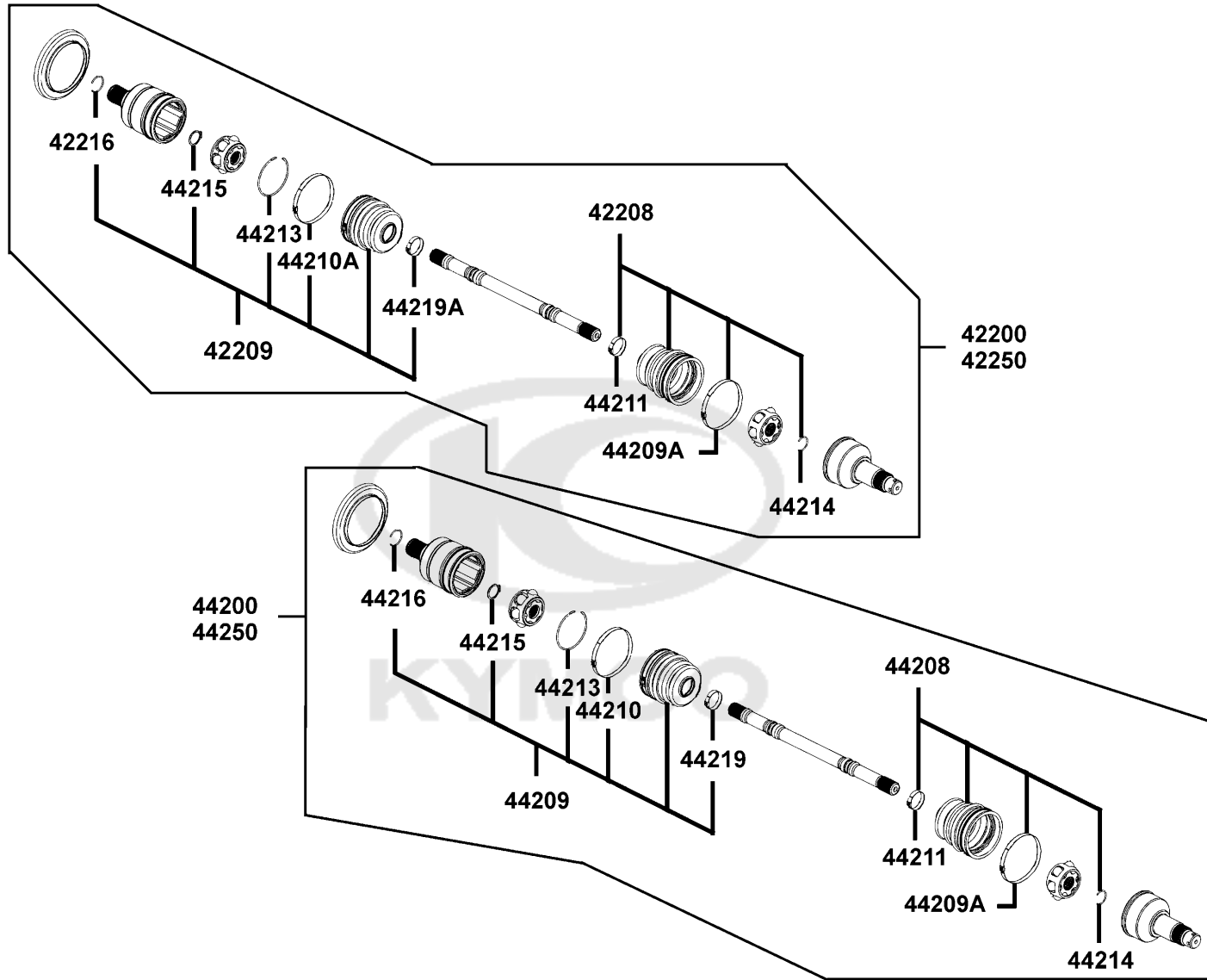
86102A

Sales mark	Ref no	Part no	Description	Reg description	Regd no	<b>F25</b>
**	86101	86101-LKM8-M31	STRIPE FR PANEL	STRIPE FR PANEL	3	
**	86102	86102-ALC1-E00	EMB K LOGO 50 MM	EMB K LOGO 50 MM	1	
**	86102A	86102-LDB5-900	EMB K-LOGO 28.5mm-PP	EMB K-LOGO 28.5mm-PP	1	
**	86182	86182-AEG6-E00	SW LABEL	SW LABEL		
**	86303	86303-LFA5-M30	STRIPE 4*4	STRIPE 4*4	2	

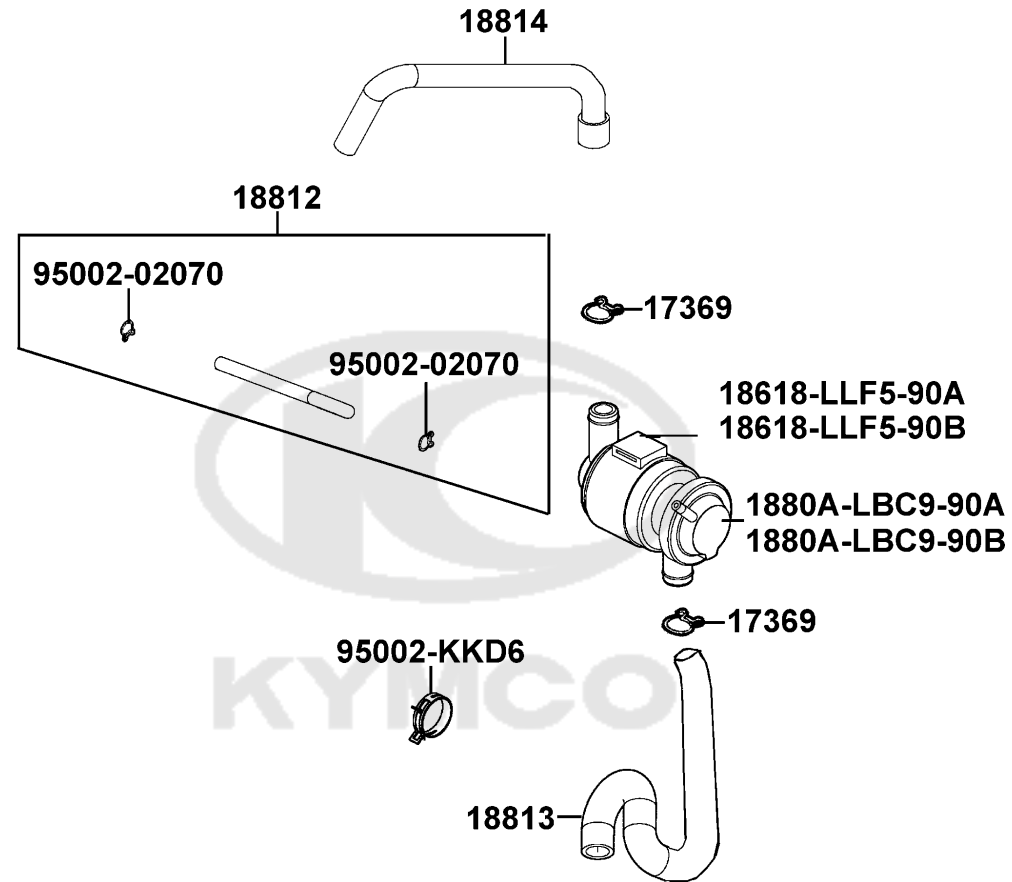


F26

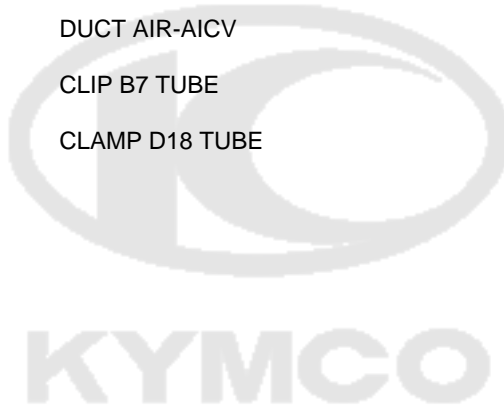
### Separated Parts Of Halfshaft



Sales mark	Ref no	Part no	Description	Reg description	Regd no	F26
42200		42200-LKM8-700	HALF SHAF REAR RH	HALF SHAF REAR RH	1	
42208		42208-LKM8-305	WHEEL SIDE BOOT SERVICE KIT	WHEEL SIDE BOOT SERVICE KIT	1	
42209		42209-LKM8-305	DIFF SIDE BOOT SERVICE KIT	DIFF SIDE BOOT SERVICE KIT	1	
42216		42216-LEE8-E00	CIRCLIP DOJ STEM	CIRCLIP DOJ STEM	1	
42250		42250-LKM8-700	HALF SHAFT REAR LH	HALF SHAFT REAR LH	1	
44200		44200-LKM8-900	HALF SHAFT FRONT-RH	HALF SHAFT FRONT-RH	1	
44208		44208-PWB1-305	WHEEL SIDE BOOT SERVICE KIT	WHEEL SIDE BOOT SERVICE KIT	1	
44209		44209-PWB1-305	DIFF SIDE BOOT SERVICE KIT	DIFF SIDE BOOT SERVICE KIT	1	
44209A		44209-PWB1-900	BOOT-BAND (L)	BOOT-BAND (L)	1	
44210		44210-ALC1-E00	BOOT BAND (L)	BOOT BAND (L)	1	
44210A		44210-PWB1-900	BOOT-BAND (L)	BOOT-BAND (L)	1	
44211		44211-PWB1-900	BOOT-BAND (S)	BOOT-BAND (S)	1	
44213		44213-PWB1-900	CIRCLIP (DOJ MONTH)	CIRCLIP (DOJ MONTH)	1	
44214		44214-PWB1-900	CIRCLIP	CIRCLIP	1	
44215		44215-PWB1-900	SNAP RING	SNAP RING	1	
44216		44216-PWB1-900	CIRCLIP (DOJ STEM)	CIRCLIP (DOJ STEM)	1	
44219		44219-ALC1-E00	BOOT BAND(S)	BOOT BAND(S)	1	
44219A		44219-PWB1-900	BOOT-BAND (S)	BOOT-BAND (S)	1	
44250		44250-LKM8-900	HALF SHAFT FRONT-LH	HALF SHAFT FRONT-LH	1	



Sales mark	Ref no	Part no	Description	Reg description	Regd no	F27
	17369	17369-KDB4-671	CLIP BREATHER TUBE	CLIP BREATHER TUBE	2	
	18618-LLF5-90A	18618-LLF5-90A	RUBBER AICV MOUNT	RUBBER AICV MOUNT	1	
	18618-LLF5-90B	18618-LLF5-90B	RUBBER AICV MOUNT	RUBBER AICV MOUNT	1	
	1880A-LBC9-90A	1880A-LBC9-90A	AI/C-AICV ASSY	AI/C-AICV ASSY	1	
	1880A-LBC9-90B	1880A-LBC9-90B	AI/C-AICV ASSY	AI/C-AICV ASSY	1	
	18812	18812-LKM8-E00	TUBE ASSY VACUUM	TUBE ASSY VACUUM	1	
	18813	18813-LKM8-E00	DUCT AICV-REED VALVE	DUCT AICV-REED VALVE	1	
	18814	18814-LEE8-E00	DUCT AIR-AICV	DUCT AIR-AICV	1	
	95002-02070	95002-02070	CLIP B7 TUBE	CLIP B7 TUBE	2	
	95002-KKD6	95002-KKD6-E05	CLAMP D18 TUBE	CLAMP D18 TUBE	1	



## PART NO. INDEX

PART NO.	VERSION	PAGE	PART NO.	VERSION	PAGE	PART NO.	VERSION	PAGE
<b>11000</b>			<b>12000</b>			14324-PWB1-900	2	E02
11105-LKM5-E00	0	E01	12100-LKM5-E00	9	E03	14401-LKM5-E00	0	E03
1110A-LKM8-305	0	E01	12191-LKM5-E00	1	E03	14401-LKM5-E0A	1	E03
1119A-LKM5-E00	0	E01	12205-KHE8-301	5	E02	14420-LKM5-E00	0	E02
11203-LDB5-E00	3	F14	12209-PUA5-E00	1	E02	14430-LKM5-E00	0	E02
11206-LEE8-E00	3	E04	1220A-LKM8-E00	6	E02	14433-LKM5-E00	0	E02
11300-LKM5-E00	5	E01	12251-LKM8-E00	1	E03	14434-LKM5-E00	0	E02
11330-LKM5-E00	6	E04	12302-PTA1-900	1	E02	14452-LKM5-E00	0	E02
11340-LKM5-E00	0	E01	12311-KBE2-900	4	E02	14510-LKM5-E00	3	E03
11344-LKM8-E00	0	F23	12361-GFY6-901	1	E01	14523-LKF5-E00	1	E03
11346-LKM5-E00	0	F23	12361-LKM5-E00	1	E02	14531-KKJ9-001	0	E03
1134A-LKM8-E00	0	F23	<b>13000</b>			14550-LKF5-E00	0	E03
11354-LKM8-E00	3	F23	1300A-LKM5-305	0	E03	14610-LKM5-E00	0	E03
1135A-LKM8-E00	0	F23	13011-LKM5-E00	0	E03	14711-LKM5-E00	1	E02
11394-LKM5-E00	0	E04	13101-LKM5-E00	6	E03	14721-LKM5-E00	1	E02
11395-LKM5-E00	3	E01	13111-LKM5-E00	0	E03	14751-LEH6-E00	1	E02
11397-LKM5-E00	0	E01	<b>14000</b>			14761-LEH6-E00	0	E02
11398-LKM5-E00	0	E01	14100-LKM5-E00	9	E02	14771-LKM5-E00	0	E02
11441-LKM5-E00	3	E05	14321-LKM5-E00	4	E02	14777-LKM5-E00	0	E02
11442-LDB5-900	3	E05	14323-PWB1-900	1	E02	14781-LKM5-E00	1	E02
11443-LDB5-900	2	E05	<b>15000</b>					
11495-LKM5-E00	1	E05				15100-LDB5-E00	5	E06
11496-LKM5-E00	0	E01				15119-LKM5-E00	1	E06
						15133-LBA2-E00	2	E06

## PART NO. INDEX

PART NO.	VERSION	PAGE	PART NO.	VERSION	PAGE	PART NO.	VERSION	PAGE
15138-LDB5-E00	4	E06	16137-PTA1-800	2	E10	17564-LKC3-E00	0	F10
15141-LDB5-E00	1	E06	1670A-PTA1-800	2	F10	17620-ACB2-325	0	F20
15200-KED9-900	7	E01	16771-PTA1-E00	2	E10	17910-LKM8-700	7	F03
1541A-LBA2-E00	2	E01	16911-ACB2-M00	2	F10			
15421-1G07-001	1	E01	16911-LKM8-E00	3	F10	<b>18000</b>		
15421-LBA2-E00	2	E01						
15426-GAE1-921	0	E01	<b>17000</b>			18291-LKM5-E00	2	F14
15438-PWB1-900	2	E02				18300-LKM8-E00	7	F14
15520-LDB5-E00	1	E01	1711A-LKM5-E00	1	E02	18310-LKM8-E00	1	F14
1565A-PWA1-900	1	E04	17200-LKM8-E00	5	F13	18317-LEE8-E00	1	F14
15661-LBA7-900	1	E01	17211-LKM8-E00	0	F13	18319-LEE8-E00	1	F14
15700-LBA2-E00	2	E04	17214-LKM8-E00	0	F13	18320-LKM8-E00	3	F14
15700-LBA2-E0A	3	E04	17231-LKM8-E00	0	F13	18371-LKM5-E00	2	F14
15711-LDB5-E00	1	E06	1723A-LKM8-E00	1	F13	18391-LKM5-E00	0	F14
15722-LEE8-E00	3	E04	17254-LKM8-E00	0	F13	18532-6D34-671	0	F13
			17265-LBA7-900	1	F13	18532-6D34-671	0	F23
<b>16000</b>			17292-PWB1-900	1	E01	18601-KBE2-900	4	E02
			17369-KDB4-671	1	F27	18612-KFB5-900	1	E02
16053-PTA1-800	2	E10	17500-ACB2-M00	2	F10	18613-LDB5-E00	2	E02
16054-PTA1-800	3	E10	17515-LEE8-E00	1	F10	18618-LLF5-90A	2	F27
16059-LDB5-E00	4	E10	17522-LLB1-900	1	F22	18618-LLF5-90B	1	F27
16081-LKM8-E00	2	E10	17531-LGC7-E00	1	F10	18645-LBA2-E00	1	E02
16100-LKM8-E00	5	E10	17551-PTA1-800	3	F10	18646-GFY6-941	0	E02
16113-PTA1-800	4	E10	17556-PTA1-800	1	F10	18647-LKM5-E00	0	E02
16118-LBF2-900	2	E10	1755A-LKC3-E00	7	F10	18657-LKM8-E00	0	F13
16134-LDB5-E00	3	E10	17561-LKB9-900	1	F10	1880A-LBC9-90A	1	F27



## PART NO. INDEX

PART NO.	VERSION	PAGE	PART NO.	VERSION	PAGE	PART NO.	VERSION	PAGE
1880A-LBC9-90B	1	F27	19316-LKM8-E00	2	E04	22105-LKM8-E00	0	E05
18812-LKM8-E00	2	F27	19317-LBA2-E00	1	E04	22110-LKM5-E00	0	E05
18813-LKM8-E00	1	F27	19421-LKM5-E00	1	E02	22112-LDB5-E00	4	E05
18814-LEE8-E00	2	F27	19502-LKM5-E00	5	E04	22121-LDB5-305	0	E05
			19503-LKM8-900	0	F23	22127-LDB5-E00	0	E05
<b>19000</b>			19504-LBA2-E00	3	E04	22128-LDB5-E00	0	E05
			19504-LEE8-E00	2	F23	22131-LKM5-E00	0	E05
19005-LEE8-E0A	2	F23	19505-LBA2-E00	4	E04	22132-LKM5-305	0	E05
19010-LKM8-700	0	F23	19505-LBA2-E00	4	F23	22402-LDB5-E00	0	E05
19101-LDB5-E00	4	F23	19505-LEE8-E00	3	F23	2261A-LKM5-E00	5	E05
19102-LEE8-E00	0	F23	19506-LEE8-E00	5	F23	22631-LKM5-E00	0	E05
19102-LEE8-E00	1	F23	19507-LDB5-E00	1	E04	22641-LKM5-E00	0	E05
19104-LEE8-E00	1	F23	19507-LEE8-E00	3	F23	2266A-LKM5-E00	0	E05
19105-LEE8-E00	2	F23	19508-LEE8-E00	2	E04			
19111-GBE2-004	1	F23	19525-LKM8-E00	0	E04	<b>23000</b>		
19210-KKC4-900	0	F23	19526-LKM8-E00	0	E04			
19215-LBA2-E00	2	E04	19527-LKM8-E00	0	E04	23010-LKM5-E00	4	E05
19217-ZPA3-E00	2	E04	19528-LKM8-E00	0	E04	23100-LKM5-E00	0	E05
19221-LKM5-E00	3	E04				23200-LDB5-E00	3	E05
19229-LKM5-E00	0	E04	<b>21000</b>			23201-LDB5-E00	0	E05
19230-LKM5-E00	5	E04				23210-LEE8-E00	2	E08
19231-LKM5-E00	5	E04	21124-LKM5-E00	0	E05	23220-LDB5-E00	2	E05
19232-LBA2-E00	2	E04				23225-LKM5-E00	2	E05
19300-LBA2-E00	1	E04	<b>22000</b>			23233-LDB5-E00	1	E05
19310-LKM5-E00	0	E04				23237-LDB5-E00	1	E05
19315-LBA2-E00	2	E04	22102-LDB5-E00	3	E05	23238-LDB5-E00	1	E05

## PART NO. INDEX

PART NO.	VERSION	PAGE	PART NO.	VERSION	PAGE	PART NO.	VERSION	PAGE
2341A-LKM5-E00	5	E07	24305-LDB5-E00	2	E07	28210-LKM5-E00	0	E04
23421-LEE8-E00	1	E07	2431A-LKM5-E00	0	E07	28310-LDB5-E00	1	E04
23431-LDB5-E00	5	E08	24610-LKM8-E00	4	E07			
23450-LDB5-E00	2	E07	24620-LKM5-E00	0	E07	<b>30000</b>		
2345A-LDB5-E00	4	E08	24651-LKM5-E00	2	E07			
23471-LDB5-E00	3	E07	24700-LKM8-700	1	F15	3051A-LKM8-E00	6	F20
23473-LDB5-E00	2	E07	24702-LKM8-700	0	F15			
23481-LDB5-E00	3	E07	24703-LDB5-E00	5	F15	<b>31000</b>		
23500-LDB5-E00	2	E07	24704-LDB5-E00	2	F15			
23510-LDB5-900	2	E07	24705-LKM8-700	1	F15	31110-LKM8-900	0	E06
23518-LKM5-E00	3	E08	24706-LDB5-E00	1	F15	31120-LKA8-E0A	2	E06
23519-LKM5-E00	3	E08	24707-LDB5-E00	7	F15	31210-LKM5-E0A	0	E06
23610-LDB5-E00	1	E07	2470A-LKM8-700	3	F15	31350-LDB5-E0A	2	E01
23611-LKM5-E00	0	E07	24710-LKM8-700	0	F15	31500-LDB5-E0A	5	F11
23612-LDB5-E00	3	E07	24711-LKM8-700	0	F15	31500-LDB5-E0B	5	F11
23613-LDB5-E00	7	E07	24720-LKM8-700	0	F15	31600-PRB2-900	1	F20
23614-LDB5-E00	6	E07	24721-LKM8-700	0	F15	31601-LDB5-E00	4	F20
2362A-LDB5-E00	1	E01	24781-LCA5-E00	2	F15	31605-LKM8-E00	0	F21
<b>24000</b>			<b>28000</b>			31700-KEC8-E00	1	F20
						3195A-LBA7-E00	1	F20
						<b>32000</b>		
24211-LKM5-E00	0	E07	28100-LKM5-E00	2	E06			
24221-ZVA6-M00	3	E07	28103-LKM5-E00	0	E06			
24241-LKM5-E00	0	E07	28110-LKA8-E00	2	E06	32100-LKM8-E01	1	F20
24242-LDB5-E00	4	E07	28113-LDB5-E00	1	E06	32410-LEE8-E00	3	E06
24251-LDB5-E00	4	E07	28120-KKE5-E0A	0	E06	32411-LEE8-E00	4	F20

## PART NO. INDEX

PART NO.	VERSION	PAGE	PART NO.	VERSION	PAGE	PART NO.	VERSION	PAGE
32412-LEE8-E00	4	E04	33725-KHB4-E00	0	F19	35350-LBA7-900	6	F15
<b>33000</b>			33726-LCA5-E00	0	F19	35350-LEE8-E00	1	F04
			33741-KHC5-M00	0	F19	35357-KGC4-E00	2	F15
			33750-LEE8-E00	1	F19	35380-LEA2-900	1	F20
			33751-LEE8-E00	0	F19	35759-LKM5-E00	5	E01
33100-ALC1-E00	6	F01	<b>34000</b>			35850-LDB5-E00	1	F20
33101-ALC1-E00	0	F01				<b>37000</b>		
33106-ALC1-E00	0	F01						
33130-ALC1-305	0	F01						
33130-ALC1-E00	0	F01	34300-LKM8-E00	3	E10			
33131-ALC1-305	0	F01	34901-KFA6-900	0	F01	37119-LKC3-E00	0	F02
33150-ALC1-E00	6	F01	34903-KPCP-900	0	F19	37200-LKM8-E00	1	F02
33151-ALC1-E00	0	F01	34905-LBA7-E00	0	F19	37300-LEE8-E0B	0	F02
33400-LEE8-E01	1	F19	34905-LCA5-E00	0	F19	37802-LGC3-E00	1	F10
33401-LEE8-E01	0	F19	34906-KPCP-900	0	F19	<b>38000</b>		
33406-LEE8-E01	0	F19	<b>35000</b>					
33450-LEE8-E01	1	F19						
33456-LEE8-E01	0	F19						
33501-ALC1-E00	0	F01		35010-ACB2-E00	4	F20	38110-LDB5-E00	1
33502-ALC1-E00	0	F01	35100-LEE8-325	1	F20	38200-KHE7-900	0	F20
33700-LEE8-E00	1	F19	35111-GFY6-305-M2-T01	1	F20	38300-LBC6-900	0	F20
33701-LEE8-E00	0	F19	35111-GFY6-305-M2-T02	0	F20	38300-LBC6-90A	2	F20
33706-GCN3-67A	0	F19	35140-ALE8-E00	1	F20	38300-LBC6-90B	2	F20
33709-KBAB-003	0	F19	35150-LEE8-E00	0	F20	38500-LGL3-90A	5	F20
33710-LEE8-E00	0	F19	35150-LEE8-EV0	0	F20	<b>39000</b>		
33715-LEE8-E00	0	F19	35190-LEE8-E00	2	F20			
33720-LCA5-E00	2	F19	35200-LEE8-E00	2	F20			
							3920A-LKM8-E00	9

## PART NO. INDEX

PART NO.	VERSION	PAGE	PART NO.	VERSION	PAGE	PART NO.	VERSION	PAGE	
39300-ALE8-E00	1	F17	40430-LEE8-E00	2	E08	42410-LFA5-900	3	E09	
39300-LKC3-500	5	E09	40432-LEE8-E00	3	E08	42410-LFA5-900	3	F17	
39300-LKM5-E00	0	E02	<b>42000</b>			42412-LFA5-900	1	F17	
39302-KKE3-900	2	E02		42413-LKC3-500	2	E09			
39305-LKM5-E00	3	E02		42413-LKC3-500	2	F17			
39306-LEB2-305	0	E02		42200-LKM8-700	0	F16	42414-LKC3-500	4	E09
39307-LEB2-305	0	E02		42200-LKM8-700	0	F26	42414-LKC3-500	4	F17
39400-LEA6-800	2	E02		42208-LKM8-305	0	F26	42415-LKC3-500	1	E09
39500-PTA1-800	1	E10		42209-LKM8-305	0	F26	42415-LKC3-500	1	F17
39700-PTA1-800	1	E10		42216-LEE8-E00	0	F26	42416-LKC3-500	1	E09
<b>40000</b>				42250-LKM8-700	0	F16	42416-LKC3-500	1	F17
				42250-LKM8-700	0	F26	42419-LKC3-500	5	E09
			42400-LKC3-500	9	E09	42419-LKC3-500	5	F17	
			42400-LKM8-510	7	F17	42422-LFA5-900	3	E09	
40211-LCD9-E00	3	E08	42401-LFA5-900	1	E09	42422-LFA5-900	3	F17	
40213-LCD9-E00	2	E08	42401-LFA5-900	1	F17	42423-LFA5-900	1	E09	
40214-LEE8-E00	2	E08	42402-LFA5-900	2	E09	42423-LFA5-900	1	F17	
40215-LEE8-E00	2	F18	42402-LFA5-900	2	F17	42425-LKC3-500	10	E09	
40220-LKM8-E01	0	F18	42402-LFA5-900	2	F17	42425-LKC3-500	10	F17	
40401-LEE8-E00	3	E08	42404-LFA5-900	2	E09	42428-LKC3-500	1	E09	
4040A-LDB5-E00	6	E08	42404-LFA5-900	2	F17	42428-LKM8-510	3	F17	
40410-LEE8-E00	3	E08	42407-LFA5-900	1	E09	42430-LKC3-500	3	E09	
40412-LEE8-E00	0	E08	42407-LFA5-900	1	F17	42430-LKM8-510	2	F17	
40414-LDB5-E00	3	E08	42408-LKC3-500	0	E09	42432-LEE8-810	1	E09	
40415-LDB5-E00	1	E08	42408-LKC3-510	1	F17	42432-LEE8-810	1	F17	
40416-LDB5-E00	1	F18	42409-LKC3-500	2	E09	42442-LKC3-500	2	E09	
40420-LDB5-E00	1	E08	42409-LKC3-500	2	F17				

## PART NO. INDEX

PART NO.	VERSION	PAGE	PART NO.	VERSION	PAGE	PART NO.	VERSION	PAGE
42442-LKC3-500	2	F17	42464-LFA5-900	2	F17	42710-LKM8-E00	0	F08
42448-LFA5-900	1	E09	42465-LFA5-900	2	E09	42750-LEE8-E0A	1	F09
42448-LFA5-900	1	F17	42465-LFA5-900	2	F17	42750-LEE8-E0B	1	F09
42449-LFA5-900	2	E09	42465-LKC3-500	2	E09	42753-KNBN-90B	1	F07
42449-LFA5-900	2	F17	42465-LKC3-510	2	F17	42753-KNBN-90B	1	F08
42451-LFA5-900	3	E09	42466-LFA5-900	2	E09			
42451-LFA5-900	3	F17	42466-LFA5-900	2	F17	<b>43000</b>		
42453-LGC3-900	1	E09	42466-LKC3-500	3	E09			
42453-LGC3-900	1	F17	42466-LKC3-500	3	F17	43100-LKM8-700	2	F18
42456-LKM8-510	1	E09	42467-LFA5-900	2	E09	43105-LEE8-305	0	F18
42456-LKM8-510	1	F17	42467-LFA5-900	2	F17	43117-LEE8-E00	0	F18
42460-LFA5-900	2	E09	42472-LKM8-500	3	E09	43127-LKM8-700	3	F04
42460-LFA5-900	2	F17	42472-LKM8-500	3	F17	43128-LKM8-700	7	F04
42460-LKC3-500	1	E09	42488-LEE8-E00	0	E09	43203-LEE8-E00	0	F18
42460-LKC3-500	1	F17	42488-LEE8-E00	0	F17	43350-LKM8-700	5	F18
42461-LFA5-900	2	E09	42494-LEE8-E00	0	E09	43351-LKM8-900	3	F18
42461-LFA5-900	2	F17	42494-LEE8-E00	0	F17	43352-KKD6-E90	1	F18
42461-LKC3-500	1	E09	42495-LEE8-E00	0	E09	43353-4A61-77A	0	F18
42461-LKC3-500	1	F17	42495-LEE8-E00	0	F17	43450-LKM8-710	3	F04
42462-LFA5-900	2	E09	42496-LEE8-E00	0	E09	43500-LEE8-E00	6	F04
42462-LFA5-900	2	F17	42496-LEE8-E00	0	F17	43516-LEE8-E00	0	F18
42462-LKC3-500	1	E09	42497-LEE8-E00	0	E09	43520-LEE8-305	0	F04
42462-LKC3-500	1	F17	42497-LEE8-E00	0	F17			
42463-LFA5-900	2	E09	42498-LEE8-E00	0	E09	<b>44000</b>		
42463-LFA5-900	2	F17	42498-LEE8-E00	0	F17			
42464-LFA5-900	2	E09	42705-LEE8-E00	2	F08	44200-LKM8-900	0	F07

## PART NO. INDEX

PART NO.	VERSION	PAGE	PART NO.	VERSION	PAGE	PART NO.	VERSION	PAGE
44200-LKM8-900	0	F26	45107-KFA6-900	0	F07	45353-LBA7-900	0	F07
44208-PWB1-305	0	F26	45108-LBA7-900	0	F07	45353-LBA7-900	0	F18
44209-PWB1-305	0	F26	45108-LBA7-900	0	F18	45531-GAR1-951	0	F18
44209-PWB1-900	0	F26	45109-KFA6-900	0	F07	45531-LBA7-900	0	F07
44210-ALC1-E00	0	F26	45109-KKC4-900	0	F18			
44210-PWB1-900	0	F26	45110-LEE8-305	0	F07	<b>46000</b>		
44211-PWB1-900	0	F26	45110-LFE9-305	1	F18			
44213-PWB1-900	0	F26	45121-LKM8-900	3	F07	46500-LEE8-E00	4	F15
44214-PWB1-900	0	F26	45121-LKM8-900	3	F18	46503-LEE8-E00	2	F15
44215-PWB1-900	0	F26	45125-LEE8-E00	3	F04	46514-LEE8-E00	3	F15
44216-PWB1-900	0	F26	45128-LKM8-900	0	F04	46514-LLH6-M30	3	F15
44219-ALC1-E00	0	F26	45129-LKM8-900	0	F04	46600-LEE8-E00	4	F15
44219-PWB1-900	0	F26	45132-LBA7-900	1	F04	46700-LEE8-E00	2	F15
44250-LKM8-900	0	F07	45133-LBA7-900	0	F07			
44250-LKM8-900	0	F26	45133-LBA7-900	0	F18	<b>47000</b>		
44705-LEE8-E00	4	F07	45140-LEE8-E00	1	F07			
4470A-LEE8-900	1	F07	45200-LEE8-E00	4	F07	47400-LEE8-900	1	F06
4470A-LEE8-900	1	F18	45200-LFE9-E00	4	F18	47410-LDB5-E00	2	F07
44710-LKM8-E00	0	F07	45203-LBA7-900	0	F07	47410-LDB5-E00	2	F08
			45209-KFA6-900	0	F07	47450-LKM8-700	6	F16
<b>45000</b>			45209-KFA6-900	0	F18	47453-LEE8-E00	2	F16
			45209-LFE9-E00	0	F18	47454-LEE8-E00	1	F16
45100-LEE8-E00	4	F07	45210-LEE8-305	0	F07	47500-LEE8-900	1	F06
45100-LFE9-E00	4	F18	45230-LBA7-900	0	F07			
45105-LFE9-305	0	F18	45230-LBA7-900	0	F18			
45105-PWA1-305	0	F07	45352-LBA7-900	0	F07			

## PART NO. INDEX

PART NO.	VERSION	PAGE	PART NO.	VERSION	PAGE	PART NO.	VERSION	PAGE	
<b>50000</b>			50713-LDB5-E00	1	F15	53193-LBA2-E00	3	F04	
			<b>51000</b>			53194-LBA2-E00	3	F04	
						53195-LBA2-E00	3	F04	
	50100-LKM8-700	9	F21			53196-LBA2-E00	2	F04	
	50110-LKM8-700	7	F21	51400-LKM8-E00	0	F06	53199-LBA2-E00	0	F04
	5015A-LKM8-700	0	F21	<b>52000</b>			5319A-LKM8-M00	3	F04
	50202-LKM8-700	1	F21				53200-LEE8-E00	6	F06
	50203-LEE8-E00	3	F21				53250-LEE8-E00	6	F06
	50204-LEE8-E00	3	F21	52101-LEE8-E00	5	F18	53300-LEE8-E00	8	F06
	50205-LEE8-E00	5	F21	52102-LEE8-E00	1	E08	53305-LEE8-E00	2	F06
	50206-LEE8-E00	6	F23	52400-LKM8-E00	1	F16	53306-LEE8-E00	1	F06
	50207-LEE8-E00	3	F10	<b>53000</b>			53307-LEE8-E00	4	F06
	50209-LKM8-700	0	F03				53308-LEE8-E00	6	F06
	50209-LKM8-700	0	F23				53316-LEE8-E00	0	F06
	50211-LEE8-E00	3	F21	53100-LEE8-E00	3	F06	53400-LKM8-900	0	F06
	50212-LEE8-E00	1	F21	53120-LEE8-E00	2	F06	53402-LEE8-E00	1	F06
	50213-LEE8-E00	2	F23	53180-LBA2-E00	4	F04	53402-LEE8-E00	1	F16
	50214-LKC3-E00	1	F22	53181-LBA2-E00	4	F04	53403-LEE8-E00	2	F06
	50215-LEE8-E00	4	F22	53182-LEE8-E00	4	F04	53403-LEE8-E00	2	F16
	50216-LKC3-E00	0	F21	53183-LBA2-E00	3	F04	53404-LEE8-E00	1	F06
	50216-LKM8-700	0	F22	53184-LBA2-E00	1	F04	53404-LEE8-E00	1	F16
	50218-LEE8-E00	1	F14	53186-LEE8-E00	1	F04	53410-PRB1-900	4	F06
	50227-LKA8-E00	1	F21	53190-LBA2-E00	2	F04	53450-LKM8-900	0	F06
	50244-LEE8-E00	1	E04	53190-LEE8-E00	5	F22	53500-LKM8-900	0	F06
	50326-LEE8-E00	2	F11	53191-LBA2-E00	4	F04	53550-LKM8-900	0	F06
	5032A-LEE8-600	0	F11	53192-LEE8-E00	4	F04	53600-LEE8-325	0	F20

## PART NO. INDEX

PART NO.	VERSION	PAGE	PART NO.	VERSION	PAGE	PART NO.	VERSION	PAGE		
53702-LBA7-900	1	F15	60330-LEE8-E01	1	F05	<b>64000</b>				
53703-LBA7-900	1	F15	60350-LEE8-E01	1	F05					
<b>54000</b>			60350-LEE8-E01	1	F06					
			60360-LEE8-E01	1	F05		64300-LEE8-E01	1	F05	
			60360-LEE8-E01	1	F06		64302-LEE8-E01	1	F03	
			60400-AGA5-M00	0	F03		64303-LKM8-900	0	F03	
			60405-AAA6-900	1	F03		64307-LEE8-E01	1	F03	
54205-LKC3-900	1	F05	60405-LKC3-E00	1	F03		64307-LKM8-900	0	F03	
54400-LKM8-700	0	F16	60405-LKM8-900	0	F03		64308-LEE8-E01	1	F03	
54450-LKM8-900	0	F16	60410-LEE8-E01	1	F03		64308-LKM8-900	0	F03	
54500-LKM8-700	0	F16	60415-LEE8-E00	7	F03		64315-LEE8-E01	1	F05	
54550-LKM8-900	0	F16	60420-LEE8-E01	1	F03		64317-LEE8-E00	3	F23	
54600-LEE8-900	1	F16	60500-LKM8-900	0	F05		6431A-LEE8-E01	1	F05	
54601-LEE8-E00	3	F16	6050A-LKM8-900	0	F05		64322-LEE8-E00	2	F05	
54602-LEE8-E00	1	F16	60510-LKM8-900	0	F05		64325-LEE8-E01	1	F05	
54610-LEE8-E00	4	F16	60530-LEE8-E00	1	F05	6432A-LEE8-E01	1	F05		
54620-LEE8-E00	4	F16	60530-LKM8-900	0	F05	64330-AGA5-M00	0	F05		
<b>60000</b>			<b>61000</b>			64341-LEE8-E00	2	F05		
	60100-LKM8-900	1		F03	64342-LEE8-E00	2	F05			
	60101-LKM8-900	4		F03	64342-LKC3-900	0	F05			
	60102-LKM8-900	1		F03	61104-3G57-001	0	F22	64343-LEE8-E00	2	F05
	60105-LEE8-E00	2		F03	61345-LEE8-E00	2	F05	64346-LEE8-E01	1	F05
	60300-LKM8-900	1		F03	61345-LEE8-E00	3	F05	64347-LKM8-900	1	F05
	60305-LEE8-E00	2		F03				64348-LKM8-900	1	F05
	60315-LEE8-E00	2		F03				64349-LEE8-900	1	F05
	60320-LEE8-E01	1		F05				6434A-LKM8-900	0	F05



## PART NO. INDEX

PART NO.	VERSION	PAGE	PART NO.	VERSION	PAGE	PART NO.	VERSION	PAGE
64350-LEE8-E01	1	F05	77206-LBA7-900	1	F09	77530-LEE8-E00	8	F21
64355-LEE8-E01	1	F05	77206-LBA7-900	1	F22	77531-LEE8-E00	8	F21
64360-LEE8-E01	1	F05	77206-LEE8-E00	2	F22	77532-LEE8-E00	3	F21
64365-LEE8-E01	1	F05	77210-LEE8-900	1	F09	77533-LEE8-E00	8	F21
64370-LEE8-E01	1	F05	77220-LEE8-E00	4	F09	77534-LEE8-E00	3	F21
64380-LEE8-E01	1	F05	77233-KBCB-345	1	F20	77600-LKM8-900	0	F09
64390-LEE8-E00	4	F05	7723A-LEE8-305	0	F09	77800-LKM8-900	0	F09
64391-LEE8-E01	1	F05	77240-LEE8-E01	3	F09			
6439A-LEE8-E01	1	F05	77243-LEE8-E00	0	F09	<b>80000</b>		
64400-LEE8-E01	1	F05	77244-LEE8-E00	0	F09			
64500-LEE8-E01	1	F05	77245-LEE8-E00	0	F09	80100-AAA6-900	2	F12
			77246-LEE8-E00	0	F09	80102-LEE8-E00	1	F12
<b>70000</b>			77247-LEE8-E00	0	F09	80104-AEG6-E00	0	F12
			77338-LEE8-E00	6	F22	80110-LDB5-900	1	F22
70529-6G57-671	0	F05	7733A-LKM8-700	0	F22	80110-LEE8-E00	5	F12
			77340-LEE8-E00	2	F22	80115-LEE8-E00	1	F12
<b>75000</b>			77341-LEE8-E00	1	F22	80120-LEE8-E00	3	F12
			77342-LEE8-E00	4	F22	80130-LEE8-E00	2	F12
75581-KBCB-900	0	F03	77343-LEE8-E00	5	F22			
			77344-LEE8-E00	5	F22	<b>81000</b>		
<b>77000</b>			77345-LEE8-E00	2	F22			
			77346-LEE8-E00	1	F22	81202-LEE8-E00	1	F19
77200-LEE8-E00	6	F09	77347-LEE8-E00	5	F22			
77202-LEE8-E00	3	F09	77348-LEE8-E00	2	F22	<b>83000</b>		
77203-LEE8-E00	1	F09	77349-LEE8-E00	2	F22			
77206-KEB7-900	0	F15	77400-LEE8-E00	6	F09	83500-LEE8-E00	4	F12

## PART NO. INDEX

PART NO.	VERSION	PAGE	PART NO.	VERSION	PAGE	PART NO.	VERSION	PAGE
83600-LEE8-E00	4	F12	87517-LEE8-E01	1	F24	9008A-LKC3-500	1	F17
83620-LEE8-E01	1	F12				9008A-LKM5-E00	5	E04
<b>85000</b>			<b>88000</b>			90101-LCA5-E00	2	F15
			88110-LKC3-E00	0	F03	90101-LEE8-E00	0	F18
85100-LEE8-E00	7	F21	88114-LKC3-E00	0	F03	90104-LDB5-E00	0	F14
85104-LEE8-E00	1	F21	88120-LKC3-E00	0	F03	90105-MLL0-731	1	F07
<b>86000</b>			<b>89000</b>			90105-MLL0-731	1	F18
						90110-LEE8-E00	0	F09
86101-LKM8-M31	0	F25	89010-LEE8-E00	5	F09	90110-LFA5-900	1	E09
86102-ALC1-E00	1	F25				90110-LFA5-900	1	F17
86102-LDB5-900	3	F25	<b>90000</b>			90110-LLB1-800	2	F05
86182-AEG6-E00	0	F25				90110-PWB1-900	1	F09
86303-LFA5-M30	1	F25	90001-GBHB-661	3	E06	90111-1G87-001	1	F13
<b>87000</b>			90001-GFY6-901	5	E01	90111-1G87-001	1	F22
			90001-GFY6-901	5	E07	90111-LEE8-E00	2	F14
			90004-LBA2-E00	3	E01	90112-LBD4-800	1	F18
87033-LEE8-E00	1	F24	90005-LBA2-E00	3	E04	90112-LEE8-E00	0	F09
87040-LEE8-E01	2	F24	90012-LKF5-E00	5	E02	90114-LBA2-E00	1	F03
87321-LEE8-E00	1	F24	90032-LKM5-E00	1	E02	90116-KED9-900	2	F03
87322-LKM8-E00	0	F24	90033-KGB4-C00	2	E02	90116-KED9-900	2	F22
87323-LEE8-E01	2	F24	90071-MLB0-001	0	E06	90131-LFA5-E00	1	F18
87505-LEE8-E00	1	F24	90084-4H28-001	1	E04	90133-LDB5-E00	1	E01
87512-LEE8-E00	1	F24	90084-KKE5-E00	5	E02	90145-LEA3-E00	1	F04
87515-LEE8-E01	1	F24	9008A-LKC3-500	1	E09	90164-0H28-900	2	F20
						90201-KHR8-75A	1	E04
						90202-LDB5-E00	3	E05

## PART NO. INDEX

PART NO.	VERSION	PAGE	PART NO.	VERSION	PAGE	PART NO.	VERSION	PAGE
90203-LDB5-E00	5	E05	90314-LDB5-E00	1	E08	90454-1G07-001	0	E07
90203-LDB5-E00	5	E08	90315-LDB5-E00	1	E08	90461-PWB1-900	3	E02
90205-LDB5-E00	4	E05	90316-LDB5-E00	1	E08	90465-MDC4-001	0	E01
90206-0A01-001	4	E02	90317-LDB5-E00	1	E08	90473-LEE8-E00	1	E01
90215-KKC4-900	2	F12	90318-LDB5-E00	1	E08	90474-3C33-001	1	E01
90243-LDB5-E00	2	E01	90319-LDB5-E00	1	E08	90478-7L00-001	0	E04
90301-LDB5-E00	3	F07	90320-LDB5-E00	1	E08	90501-LKM5-E00	0	E05
90301-LDB5-E00	3	F08	90321-LDB5-E00	1	E08	90501-PWA6-900	1	F14
90302-GFY6-901	1	F11	90322-LDB5-E00	1	E08	9052A-LDB5-E00	2	E01
90302-GFY6-940	1	F01	90401-KKJ9-001	0	E04	90545-3L00-001	2	F04
90302-LBF2-900	1	F10	90402-LEA7-950	0	E07	90561-PWB1-900	3	E02
90302-LLB1-E00	2	F15	90405-LKM5-E00	3	E05	90605-KED9-900	2	E07
90302-LLB1-E00	2	F19	90406-LDB5-E00	1	E05	90651-LCA5-E00	1	F23
90302-PWB1-900	2	F05	90407-LBA2-E00	3	E01	90651-LEE8-E00	0	F13
90302-SDA4-004	3	F03	90407-LBA2-E00	3	E04	90652-LEE8-E00	1	F03
90304-GLW0-90A	1	F06	90407-LDB5-E00	0	E01	90652-LEE8-E00	1	F04
90304-GLW0-90A	1	F16	90408-LDB5-900	3	E05	90652-LEE8-E00	1	F05
90304-GLW0-90A	1	F21	90428-9H58-001	0	E04	90652-LEE8-E00	1	F12
90305-GHK8-001	1	F03	90433-KAE1-001	0	E07	90652-LKM5-E00	1	E02
90305-GHK8-001	1	F05	90441-LDB5-E00	3	E01	90653-LEE8-E00	0	F23
90306-GLW0-90A	1	F06	90443-LDB5-E00	2	E01	90653-LKM5-E00	0	F23
90306-KLF0-004-SY	1	E01	90451-LBA7-900	1	E08	90655-PWA2-900	1	F05
90311-LDB5-E00	1	E08	90451-LDB5-E00	1	E07	90656-KCBC-900	0	F19
90312-LDB5-E00	1	E08	90452-KED9-900	2	E07	90656-KCBC-900	0	F20
90312-LEE8-E00	2	F03	90452-LDB5-E00	1	E08	90656-KUDU-900	0	F20
90313-LDB5-E00	1	E08	90453-LKM5-E00	0	E06	90656-KUDU-900	0	F23

## PART NO. INDEX

PART NO.	VERSION	PAGE	PART NO.	VERSION	PAGE	PART NO.	VERSION	PAGE	
90658-PWA2-900	1	F05	91301-KKE5-E00	0	E02	<b>93000</b>			
90677-GAR1-004	1	F03	91302-0A01-021	0	E01				
90677-GAR1-004	1	F05	91302-LDB5-E00	2	E08				
90677-GAR1-004	1	F12	91302-LKM5-E00	0	E02		93401-04025-06	0	F20
90701-9E65-001	0	E01	91303-3G77-001	0	E04		93404-06012-06	0	F15
90750-LDB5-E00	3	E01	91303-LDB5-E00	1	E08		93404-06016-06	0	F03
<b>91000</b>			91303-LDB5-E00	1	F18		93404-06016-06	0	F05
			91303-LKM5-E00	0	E02		93404-06016-06	0	F06
			91304-LKM5-E00	4	E04		93404-06016-06	0	F11
			91305-GLE0-001	0	E01		93404-06016-06	0	F12
91001-KFBF-90A	2	E01	91306-LDB5-E00	1	E08	93404-06016-06	0	F23	
91021-LDB5-E00	2	E05	91307-0E35-001	0	E04	93404-06020-06	1	F03	
91106-LDB5-E00	1	E05	91309-4E25-004	0	E06	93404-06020-06	1	F20	
91107-LDB5-E00	0	E08	91313-KED9-900	3	E01	93404-06025-06	0	F05	
91201-LCD9-E00	2	E08	91351-LDB5-E00	1	E05	93500-03014-1A	0	F04	
91202-KGB4-C00	1	E04	91508-KGV7-67A	0	F19	93500-04006-1G	0	F04	
91206-LDB5-E00	0	E01	91509-LDB5-E00	6	E01	93500-04012-0F	0	E10	
91211-LDB5-E00	1	E05	<b>92000</b>			93500-05010-0F	0	F02	
91254-LDB5-E00	3	F06				93500-05012-0F	0	E10	
91254-LDB5-E00	3	F16				93891-04014-06	0	E10	
91255-LDB5-E00	2	E01		92000-06010-0G	0	F07	93891-04028-06	0	E10
91256-LDB5-E00	2	E01		92101-05012-0G	0	E06	93891-ALC1-E00	0	F01
91258-LDB5-900	2	E05		92101-06012-0HN	0	E02	93901-24560	0	F04
91258-LDB5-E00	2	F06		92712-06028-0B	2	E02	93903-25460	0	F13
91258-LDB5-E00	2	F16		92900-PTA1-900	2	E03	93903-34360	0	F03
91261-LDB5-E00	3	E01					93903-34360	0	F19

## PART NO. INDEX

PART NO.	VERSION	PAGE	PART NO.	VERSION	PAGE	PART NO.	VERSION	PAGE
93903-35260	0	F05	94050-08060	0	F18	94201-30400	0	F08
93903-35360	0	F02	94050-08060	0	F22	94251-14000	0	F22
93903-35360	0	F12	94050-08080	0	E03	94251-14000	0	F23
93903-35360	0	F19	94050-10060	0	E02	94252-08000	1	F15
93903-KEB7-900-06	1	F03	94050-10060	0	F14	94301-08140	0	E01
			94050-10060	0	F21	94301-08140	0	E02
<b>94000</b>			94050-LEE8-E00	0	F09	94301-08140	0	E04
			94050-PWA2-900	1	F03	94301-08140	0	E05
94001-08080-0S	0	F14	94052-LEE8-E00	0	F09	94301-08140	0	E06
94001-08080-0S	0	F15	94101-06000	0	F03	94301-12200	1	E03
94001-12280-0S	0	F06	94101-08000	0	F03	94510-05000	0	E09
94001-LBA7-900	1	F15	94101-10800	0	F06	94510-05000	0	F17
94005-PWB1-900	2	E08	94101-LDB5-E00	0	F14	94510-10000	0	E06
94011-PWB1-900	1	F07	94102-12800	0	F06	94510-12000	0	E09
94011-PWB1-900	1	F08	94102-12800	0	F22	94510-12000	0	F17
94012-LLB1-900	1	F06	94102-12800	0	F23	94510-14000	0	E04
94030-10080	0	F21	94102-14800	0	F15	94510-20000	0	E07
94030-PTA1-800	2	E10	94102-LDB5-E00	1	F15	94510-25000	0	E08
94050-05060	0	F19	94103-06800	0	E07	94510-PWB1-900	0	F06
94050-05060	0	F20	94103-06800	0	F03	94520-19000	2	E08
94050-05080	0	F19	94103-06800	0	F15	94520-47000	0	E04
94050-06080	0	E02	94111-06800	0	E02	94520-55000	0	F06
94050-06080	0	E10	94111-06800	0	E10	94520-55000	0	F16
94050-06080	0	F20	94111-08800	0	F15	94520-65000	1	E01
94050-08060	0	F04	94201-25300	0	F06	94540-07017	1	E05
94050-08060	0	F15	94201-30400	0	F07	94540-12028	0	E07

## PART NO. INDEX

PART NO.	VERSION	PAGE	PART NO.	VERSION	PAGE	PART NO.	VERSION	PAGE
94540-12028	0	F15	95012-KED9-900	1	F11	95701-08020-06	1	F07
94591-KFBF-900	2	F04	95111-PWB1-900	1	E08	95701-08020-06	1	F10
94591-LLB1-900	0	E04	95111-PWB1-900	1	F18	95701-08020-06	1	F21
94601-LDB5-E00	1	E05	95701-06010-06	1	F04	95701-08025-06	0	E02
94601-LKM5-E00	1	E03	95701-06012-06	1	F04	95701-08028-06	1	F06
			95701-06012-06	1	F14	95701-08028-06	1	F15
<b>95000</b>			95701-06012-06	1	F20	95701-08035-06	1	E01
			95701-06012-06	1	F21	95701-08035-06	1	E02
95000-LEE8-E00	3	E08	95701-06012-06	1	F22	95701-08040-06	0	E09
95002-02070	0	F23	95701-06014-06	0	F23	95701-08040-06	0	F17
95002-02070	0	F27	95701-06016-06	1	F12	95701-08085-06	0	E01
95002-02080	0	F10	95701-06016-06	1	F19	95701-10020-06	0	F06
95002-02100	0	E08	95701-06016-06	1	F21	95701-10020-06	0	F14
95002-02100	0	F23	95701-06020-06	1	F21	95701-10020-06	0	F16
95002-02150	0	F13	95701-06022-06	1	F12	95701-10020-06	0	F21
95002-40950-08	0	E08	95701-06025-06	2	E01	95701-10040-06	0	F14
95002-41150-00	0	F16	95701-06025-06	2	E02	95701-KKA8-900	0	F21
95002-45000	0	F23	95701-06035-06	1	F21	95701-LDB5-E00	1	F15
95002-70000	0	F23	95701-06040-06	0	E02	95701-LEE8-E00	0	F09
95002-KED9-M30	1	F13	95701-08012-06	0	E01	95701-LEE8-E00	0	F18
95002-KKD6-E05	0	F27	95701-08012-06	0	F21	95801-08016-06	0	F15
95002-LHG8-E00	1	E01	95701-08012-06	0	F22	95801-08028-06	0	F04
95004-LBA7-900	0	F13	95701-08016-06	0	F04	95801-08045-06	0	F21
95004-LBA7-900	0	F23	95701-08016-06	0	F15	95801-10025-06	0	F22
95005-PWB1-900	1	E08	95701-08016-06	0	F21	95801-10035-06	0	F06
95007-LKM8-E00	1	F16	95701-08016-06	0	F22	95801-10050-06	1	F06

## PART NO. INDEX

PART NO.	VERSION	PAGE	PART NO.	VERSION	PAGE	PART NO.	VERSION	PAGE
95801-10050-06	1	F16	96001-06025-06	0	E03	96100-LBA2-E00	1	E01
95801-10055-06	0	F06	96001-06025-06	0	E04	96104-LDB5-90A	1	E05
95801-10060-06	0	F16	96001-06030-06	0	E01	96104-LDB5-90B	1	E05
95801-10070-06	1	F06	96001-06030-06	0	E02	96105-LDB5-90C	0	E05
95801-10070-06	1	F18	96001-06032-06	0	E01	96106-LDB5-E00	1	E01
95801-10110-06	0	F17	96001-06032-06	0	E04	96107-LDB5-E00	1	E01
95801-10110-06	0	F21	96001-06032-06	0	E06	96120-60080-00	0	E09
95801-10195-06	0	F21	96001-06035-06	0	E02	96120-60080-00	0	F17
95801-LCA5-900	1	F06	96001-06035-06	0	E06	96151-PWB1-900	2	F06
95801-LCA5-900	1	F16	96001-06040-06	0	E01	96151-PWB1-900	2	F16
95801-LEE8-E00	1	F16	96001-06040-06	0	E04	96201-10000	0	F16
			96001-06040-06	0	E05	96211-08000	1	F15
<b>96000</b>			96001-06040-06	0	E06	96211-16000	2	E01
			96001-06045-06	0	E05	96220-30198	0	E07
96001-06010-02	0	E04	96001-06080-06	1	E01	96220-40100	0	E07
96001-06012-06	0	E01	96001-06100-06	0	E01	96600-08010-16	0	E01
96001-06012-06	0	E04	96001-06120-06	1	E02	96600-08015-16	0	E06
96001-06012-06	0	E06	96001-LKM5-E00	2	E02	96600-08020-16	2	E01
96001-06014-06	0	E02	96100-62040-00	0	E01	96600-10028-06	0	F21
96001-06016-06	0	E02	96100-63030-00	0	E01			
96001-06016-06	0	F20	96100-63040-00	1	E01	<b>98000</b>		
96001-06018-06	0	E02	96100-63050-00	0	E09			
96001-06018-06	0	E05	96100-63050-00	0	F17	98059-57916-00	2	E02
96001-06020-06	0	E01	96100-63060-00	0	E01	98200-31000	1	F20
96001-06020-06	0	E02	96100-64050-00	1	E01	98200-31500	0	F20
96001-06025-06	0	E01	96100-69060-00	1	E04	98200-33000	0	F20