

PARTS CATALOGUE



SCOOTERS

SC10AW(PL)

ZX 50



Release Date : 2014/03/19
Print Date : 2019/03/13

ABOUT THIS PARTS LIST

- This parts list is compiled all service parts for model SC10AW(PL).
- Any difference between color chart and motorcycle will be revised according to motorcycle.
- The Mark:
 1. Marking "***" must add color code in the end before ordering parts.
 2. Marking "#" are parts with modification, Please find the details from e-Parts system.
- When modification or additions to this parts list are made a revised edition at an appropriate time.



CONTENTS

● ABOUT THIS PARTS LIST	1
● COLOR CHART OF SC10AW(PL)	3
● CONTENTS-ENGINE GROUP	7
● CONTENTS-FRAME GROUP	9
● ENGINE PARTS LIST	12
● FRAME PARTS LIST	42
● PART NO. INDEX	102

NO	MODEL			COLOR CHART OF SC10AW(PL)			
	PHOTO NO			NO. 1	NO. 2	NO. 3	NO. 4
	BASIC COLOR			Blue Metallic	Deep Blue Metallic	Silver	Ruby Red
	CODE			Blue Metallic	Deep Blue Metallic	Silver	Ruby Red
	PARTS NAME	PARTS NO.	VERSION	PB023MA	PB183MA	NH131MA	RR004CA
1	WINKER ASSY R FR	33400-KACA-E10	1	H8R			
2	WINKER ASSY L FR	33450-KACA-E10	1				
3	COVER RR HANDLE	53206-KACA-900	1				
4	PLUG RR HANDLE	53216-KACA-C10	0				
5	FLOOR PANEL	64310-KACA-900	2				
6	MAT FLOOR	64320-KACA-900	1				
7	LEG SHIELD	81131-KACA-C00	1				
8	HOOK LUGGAGE	81132-GHAH-001	2				
9	LID LEG SHIELD	81132-KKDK-900	1				
10	LID INNER BOX	81141-KACA-900	1				
11	LEVER R STRG HANDLE	53175-KXBX-E10	3				
12	LEVER L STRG HNDL	53178-KXCX-E90	0				
13	GRIP COMP THROT	53140-KNBN-960	0	N1R			
14	GRIP L HANDLE	53166-KNBN-911	0				
15	FENDER RR	80105-KXCX-900	6				
16	BOX COMP LUGGAGE	81260-KXCX-E00	7				
17	COVER COMP L SIDE	11340-KXCX-900	1				
18	WHEEL CAST RR	42601-KEB7-E0E	2	NEA			
19	WHEEL SET FR	44650-KEB7-315	2				
20	CALIPER ASSY FR L	45100-KXCX-E00	4				
21	CARRIER ASSY	77300-KXCX-900	1				
22	COVER BATTERY **KAC	80151-KCAC-900	2				
23	COVER FR HANDLE	53205-KXCX-E00	0				
24	FENDER FR	61110-KEB7-E00	0				
25	COVER SET FR	64301-KACA-325	0				
DATE OF STARTING-SALES				B4P	BHP	NJP	R1P
DATE OF END-SALES				2004-03-16	2004-03-16	2004-03-16	2004-03-16
				2009-02-17	2009-02-17	2009-02-17	2009-02-17

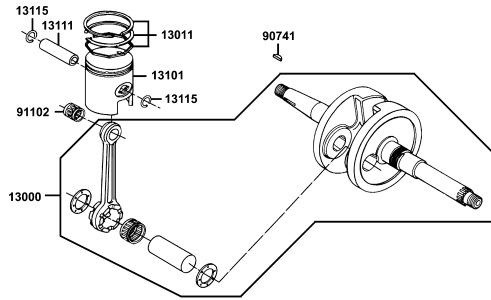
NO	MODEL			COLOR CHART OF SC10AW(PL)			
	PHOTO NO			NO. 5	NO. 6		
	BASIC COLOR			Copper Red	Light Yellow Green		
	CODE			Copper Red	Light Yellow Green		
	PARTS NAME	PARTS NO.	VERSION	RR155MA	YG022MA		
1	WINKER ASSY R FR	33400-KACA-E10	1	H8R			
2	WINKER ASSY L FR	33450-KACA-E10	1				
3	COVER RR HANDLE	53206-KACA-900	1				
4	PLUG RR HANDLE	53216-KACA-C10	0				
5	FLOOR PANEL	64310-KACA-900	2				
6	MAT FLOOR	64320-KACA-900	1				
7	LEG SHIELD	81131-KACA-C00	1				
8	HOOK LUGGAGE	81132-GHAH-001	2				
9	LID LEG SHIELD	81132-KKDK-900	1				
10	LID INNER BOX	81141-KACA-900	1				
11	LEVER R STRG HANDLE	53175-KXBX-E10	3	M3A			
12	LEVER L STRG HNDL	53178-KXCX-E90	0				
13	GRIP COMP THROT	53140-KNBN-960	0	N1R			
14	GRIP L HANDLE	53166-KNBN-911	0				
15	FENDER RR	80105-KXCX-900	6				
16	BOX COMP LUGGAGE	81260-KXCX-E00	7	NEA			
17	COVER COMP L SIDE	11340-KXCX-900	1				
18	WHEEL CAST RR	42601-KEB7-E0E	2				
19	WHEEL SET FR	44650-KEB7-315	2				
20	CALIPER ASSY FR L	45100-KXCX-E00	4	NJA			
21	CARRIER ASSY	77300-KXCX-900	1				
22	COVER BATTERY **KAC	80151-KCAC-900	2				
23	COVER FR HANDLE	53205-KXCX-E00	0	RBP			
24	FENDER FR	61110-KEB7-E00	0				
25	COVER SET FR	64301-KACA-325	0				
DATE OF STARTING-SALES				2004-03-16	2004-03-16		
DATE OF END-SALES				2009-02-17	2009-02-17		

NO	MODEL			COLOR CHART OF SC10AW(PL)							
	PHOTO NO			NO. 1	NO. 2	NO. 3	NO. 4				
	BASIC COLOR			Blue Metallic	Deep Blue Metallic	Silver	Ruby Red				
	CODE			Blue Metallic	Deep Blue Metallic	Silver	Ruby Red				
	PARTS NAME	PARTS NO.	VERSION	PB023MA	PB183MA	NH131MA	RR004CA				
26	COWL UNDER **(2)	64400-KACA-900	3	B4P	BHP	NJP	R1P				
27	COVER SET R BODY	83500-KACA-305	0								
28	COVER R BODY **KAC	83500-KCAC-900	9								
29	COVER SET L BODY	83600-KACA-305	0								
30	COVER L BODY **KCX	83600-KXCX-900	0								
31	COVER RR CENTER	83750-KXCX-900	0								
32	MOLD ASSY RR	8375B-KCAC-901	0								
33	FORK SET R FR	5140A-KXCX-E00	2								
34	BOTTOM CASE R	51420-KEB7-800	1					NQA			
35	FORK SET L FR	5150A-KXCX-E00	3								
36	BOTTOM CASE L	51520-KEB7-800	0	T01							
37	CAUTION INNER BOX	81218-KCAC-P00	0								
38	ACUTION ANTI	87224-KXCX-EZ0	0								
39	STRIPE MARK EURO 2	87311-KKD6-E00	1								
40	CAUTION USE GAS	87501-KRDR-E00	2								
41	LABEL TIRE	87505-KXCX-E20	0								
42	MARK MAINT CAUTION	87542-GAR1-E00	2								
43	MARK DRIVE CAUTION	87560-GAR1-E00	3	T02		T01	T02				
44	STRIPE KYMCO	87160-KHE7-E00	0	T01		T02	T01				
45	STRIPE KYMCO	87161-KCAC-920	1								
46	MARK KYMCO	87532-KGAG-V00	6	T02							
47	SEAT ASSY/OLD(016-	77200-KXCX-E00	1								
48	EMB FR COVER **KCA	87551-KACA-900	0								
49	COVER SET R BODY	83500-KACA-315	0								
DATE OF STARTING-SALES				2004-03-16	2004-03-16	2004-03-16	2004-03-16				
DATE OF END-SALES				2009-02-17	2009-02-17	2009-02-17	2009-02-17				

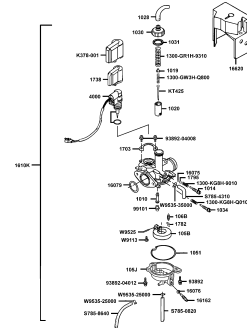
NO	MODEL			COLOR CHART OF SC10AW(PL)			
	PHOTO NO			NO. 5	NO. 6		
	BASIC COLOR			Copper Red	Light Yellow Green		
	CODE			Copper Red	Light Yellow Green		
	PARTS NAME	PARTS NO.	VERSION	RR155MA	YG022MA		
26	COWL UNDER **(2)	64400-KACA-900	3	RBP	W2P		
27	COVER SET R BODY	83500-KACA-305	0				
28	COVER R BODY **KAC	83500-KCAC-900	9				
29	COVER SET L BODY	83600-KACA-305	0				
30	COVER L BODY **KCX	83600-KXCX-900	0				
31	COVER RR CENTER	83750-KXCX-900	0				
32	MOLD ASSY RR	8375B-KCAC-901	0				
33	FORK SET R FR	5140A-KXCX-E00	2	NQA			
34	BOTTOM CASE R	51420-KEB7-800	1				
35	FORK SET L FR	5150A-KXCX-E00	3				
36	BOTTOM CASE L	51520-KEB7-800	0				
37	CAUTION INNER BOX	81218-KCAC-P00	0				
38	ACUTION ANTI	87224-KXCX-EZ0	0				
39	STRIPE MARK EURO 2	87311-KKD6-E00	1				
40	CAUTION USE GAS	87501-KRDR-E00	2	T01			
41	LABEL TIRE	87505-KXCX-E20	0				
42	MARK MAINT CAUTION	87542-GAR1-E00	2				
43	MARK DRIVE CAUTION	87560-GAR1-E00	3				
44	STRIPE KYMCO	87160-KHE7-E00	0				
45	STRIPE KYMCO	87161-KCAC-920	1				
46	MARK KYMCO	87532-KGAG-V00	6				
47	SEAT ASSY/OLD(016-	77200-KXCX-E00	1	T02			
48	EMB FR COVER **KCA	87551-KACA-900	0				
49	COVER SET R BODY	83500-KACA-315	0				
				RBP			
DATE OF STARTING-SALES				2004-03-16	2004-03-16		
DATE OF END-SALES				2009-02-17	2009-02-17		

CONTENTS - ENGINE GROUP

E10 CrankshaftPiston

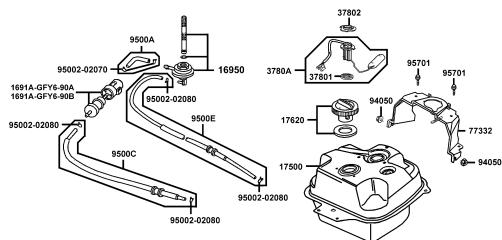


E11 Carburetor

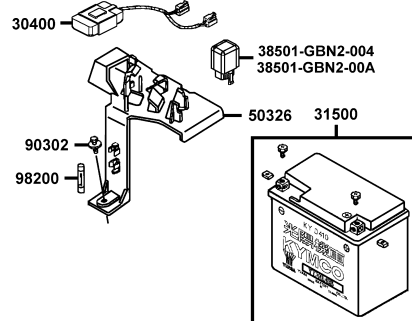


CONTENTS - FRAME GROUP

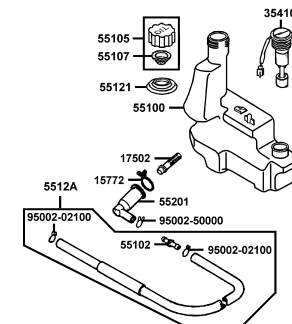
F10 Fuel Tank



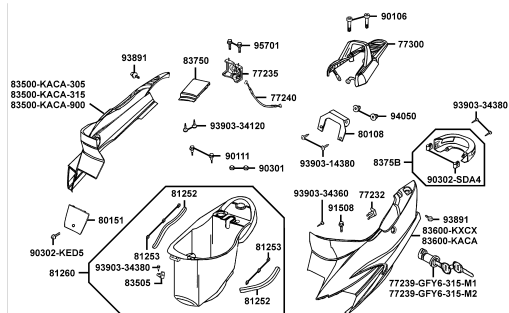
F11 Battery



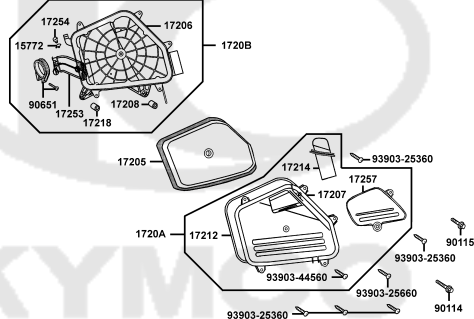
F12 OIL TANK



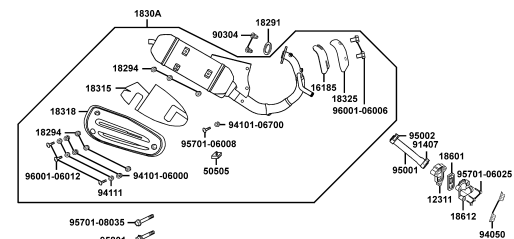
F13 Body Cover Luggage Box



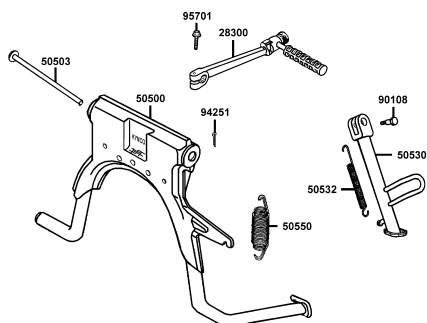
F14 Air Cleaner



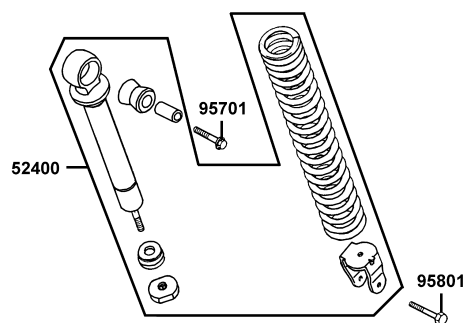
F15 Exhaust Muffler



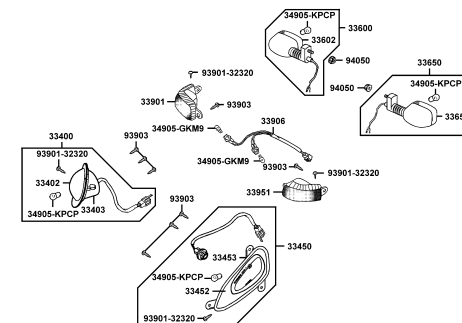
F16 Stand Kick Starter Arm



F17 Rear Cushion

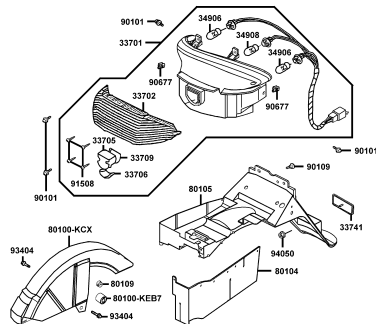


F18 Winker

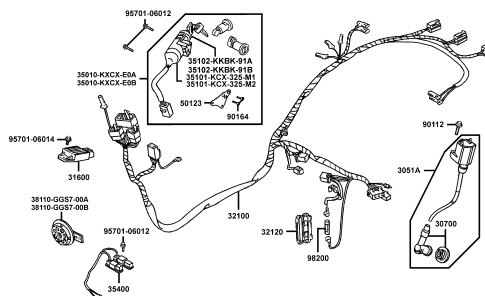


CONTENTS - FRAME GROUP

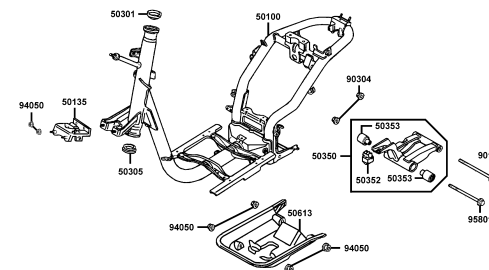
F19 Rear Light/Rear Fender



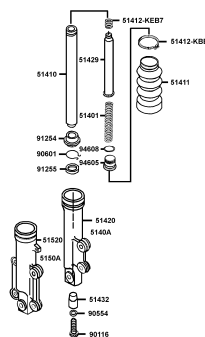
F20 Wire Harness



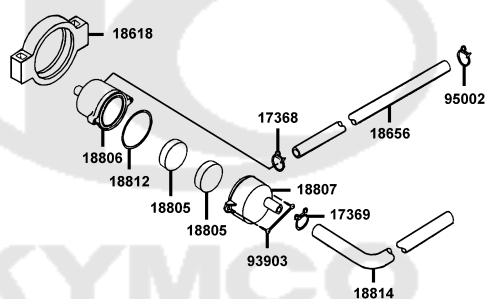
F21 Frame Body



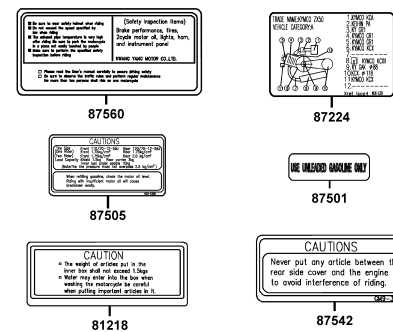
F22 Separated Parts Of Fr Fork



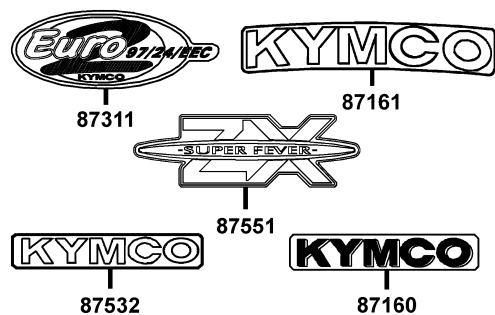
F23 AIR CLEANER TWO



F24 Caution Label

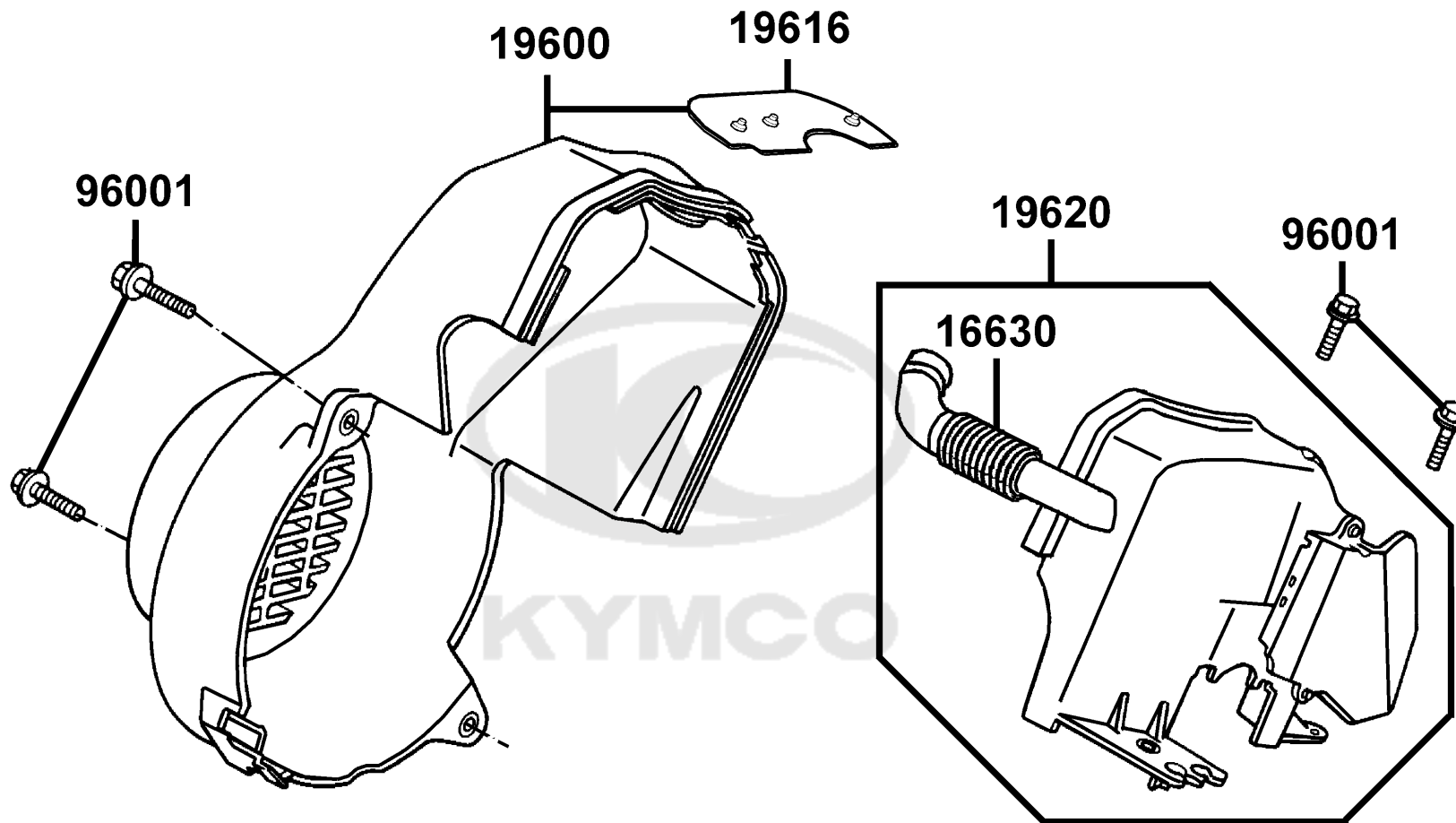


F25 Emblem/Stripe



E01

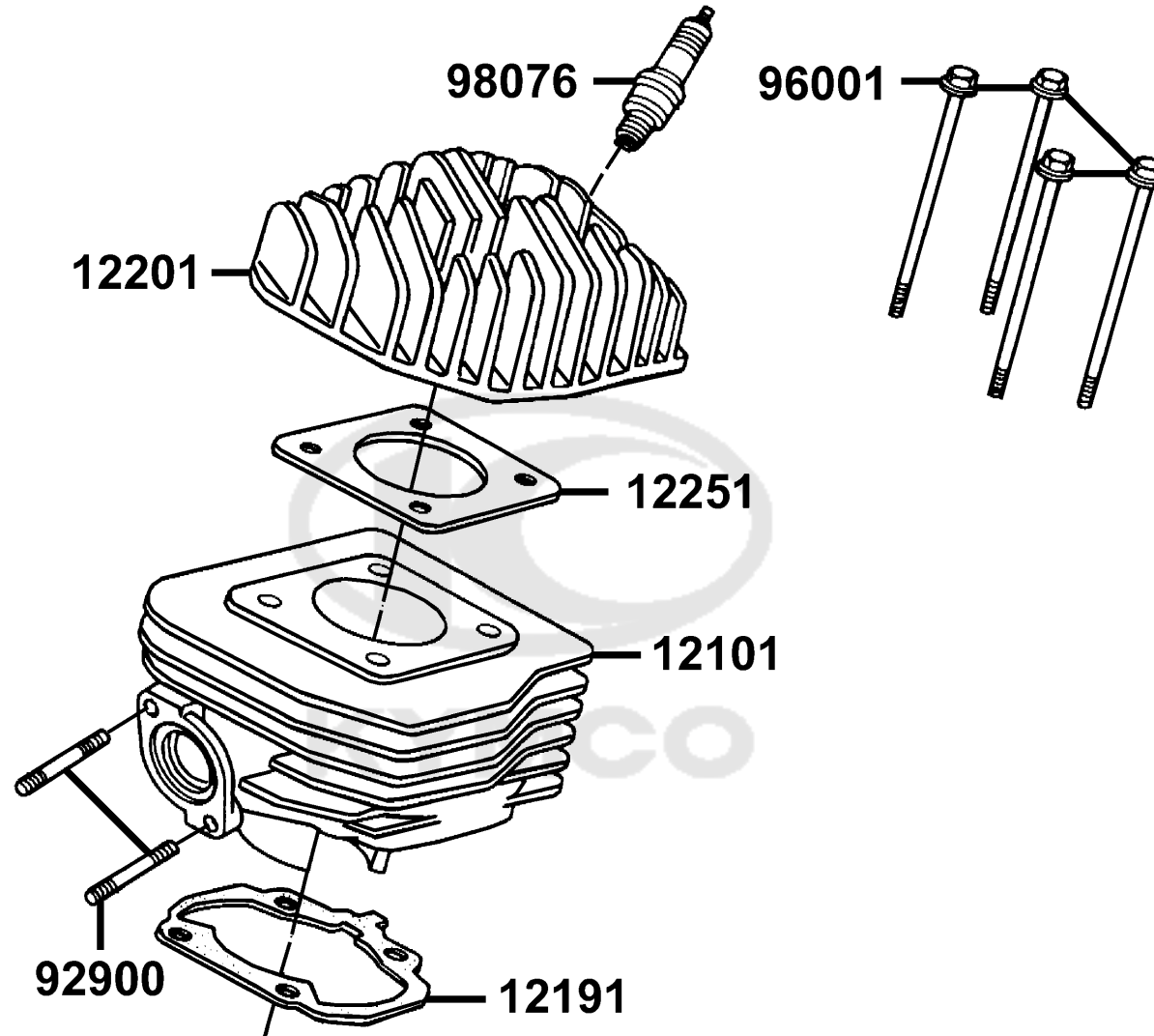
Fan CoverShroud



Sales mark	Ref no	Part no	Description	Reg description	Regd no	E01
------------	--------	---------	-------------	-----------------	---------	------------

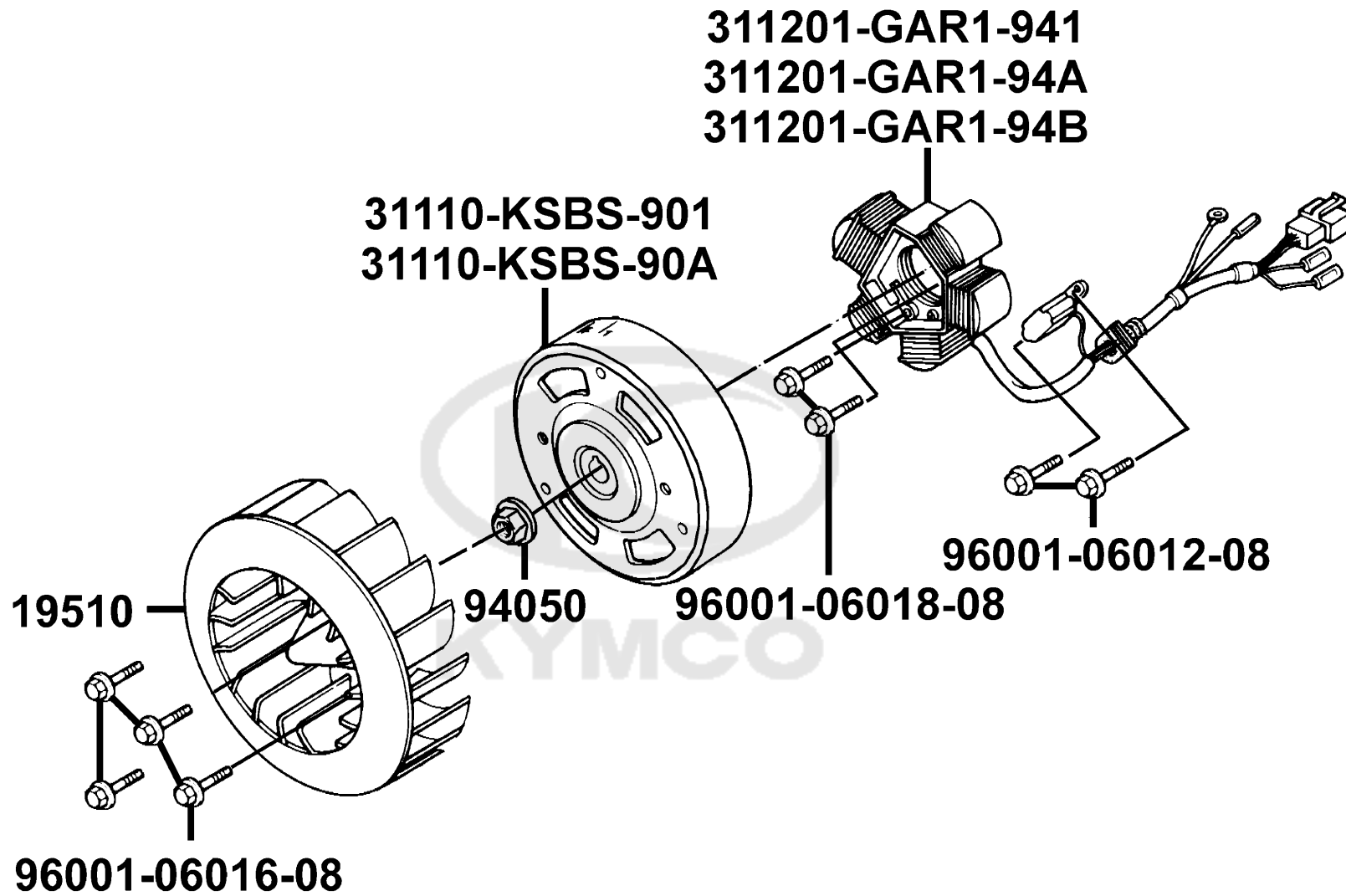
16630		16630-GAR1-E00	DUCT HEAD TRANSFER	DUCT HEAD TRANSFER	1	
19600		19600-GAR1-941	FAN COVER COMP	FAN COVER COMP	1	
19616		19616-GAR1-941	RUBBER FAN COVER	RUBBER FAN COVER	1	
19620		19620-GAR1-E00	SHROUD COMP	SHROUD COMP	1	
96001		96001-06016-06	BOLT FLANGE SH 6X16	BOLT FLANGE SH 6X16	1	



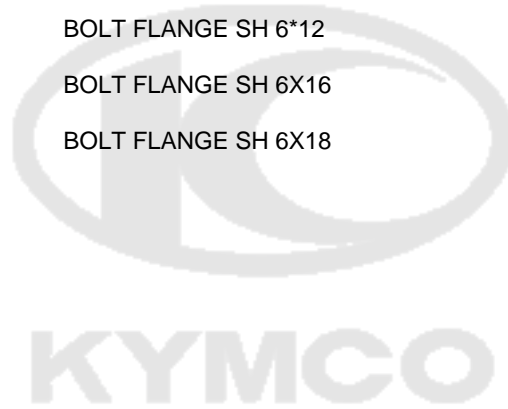


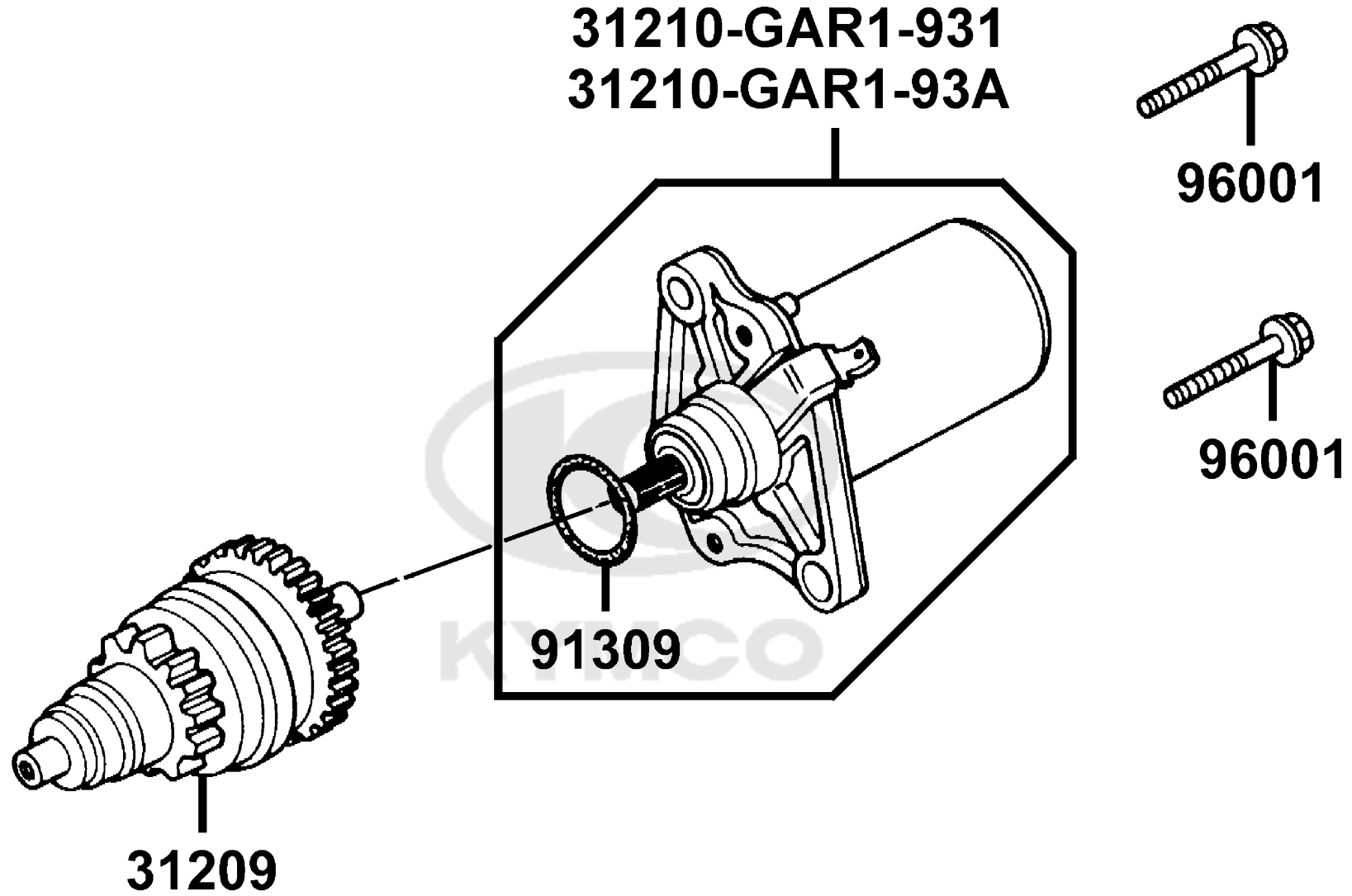
Sales mark	Ref no	Part no	Description	Reg description	Regd no	E02
12101		12101-GLW0-901	CYLINDER A	CYLINDER A	1	
12191		12191-GLW0-980	GASKET CYLINDER @A	GASKET CYLINDER @A	1	
12201		12201-GAR1-931	HEAD CYLINDER	HEAD CYLINDER	1	
12251		12251-GLW0-001	GASKET CYLINDER HEAD	GASKET CYLINDER HEAD	1	
92900		92900-06018-1B	BOLT STUD 6*18	BOLT STUD 6*18	2	
96001		96001-06095-06	BOLT FLANGE SH 6*95 **07 C.2005.07.01	BOLT FLANGE SH 6*95 **07 C.2005.07.01	1	
98076		98076-5871G-00	SPARK PLUG (BR8HSA)	SPARK PLUG (BR8HSA)	1	





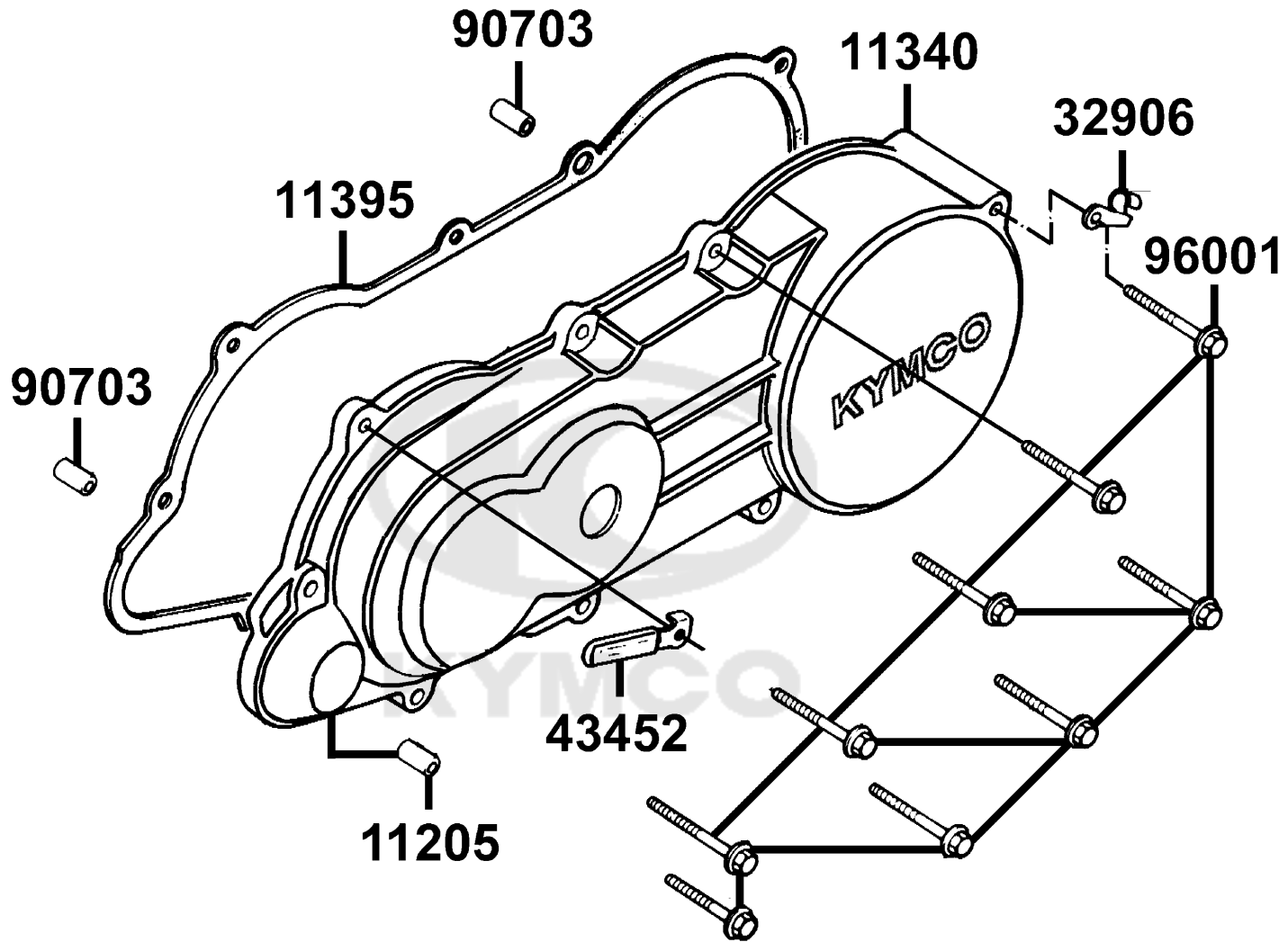
Sales mark	Ref no	Part no	Description	Reg description	Regd no	E03
	19510	19510-GLW0-902	FAN COMP COOLING	FAN COMP COOLING	1	
	31110-KSBS-901	31110-KSBS-901	FLYWHEEL COMP (D414)	FLYWHEEL COMP (D414)	1	
	31110-KSBS-90A	31110-KSBS-90A	FLYWHEEL COMP (D402)	FLYWHEEL COMP (D402)	1	
	31120-GAR1-941	31120-GAR1-941	STATOR COMP (D414)	STATOR COMP (D414)	1	
	31120-GAR1-94A	31120-GAR1-94A	STATOR COMP (D402)	STATOR COMP (D402)	1	
	31120-GAR1-94B	31120-GAR1-94B	STATOR COMP (D406)	STATOR COMP (D406)	1	
	94050	94050-10080	NUT FLANGE 10MM	NUT FLANGE 10MM	1	
	96001-06012-08	96001-06012-06	BOLT FLANGE SH 6*12	BOLT FLANGE SH 6*12	1	
	96001-06016-08	96001-06016-06	BOLT FLANGE SH 6X16	BOLT FLANGE SH 6X16	1	
	96001-06018-08	96001-06018-06	BOLT FLANGE SH 6X18	BOLT FLANGE SH 6X18	1	





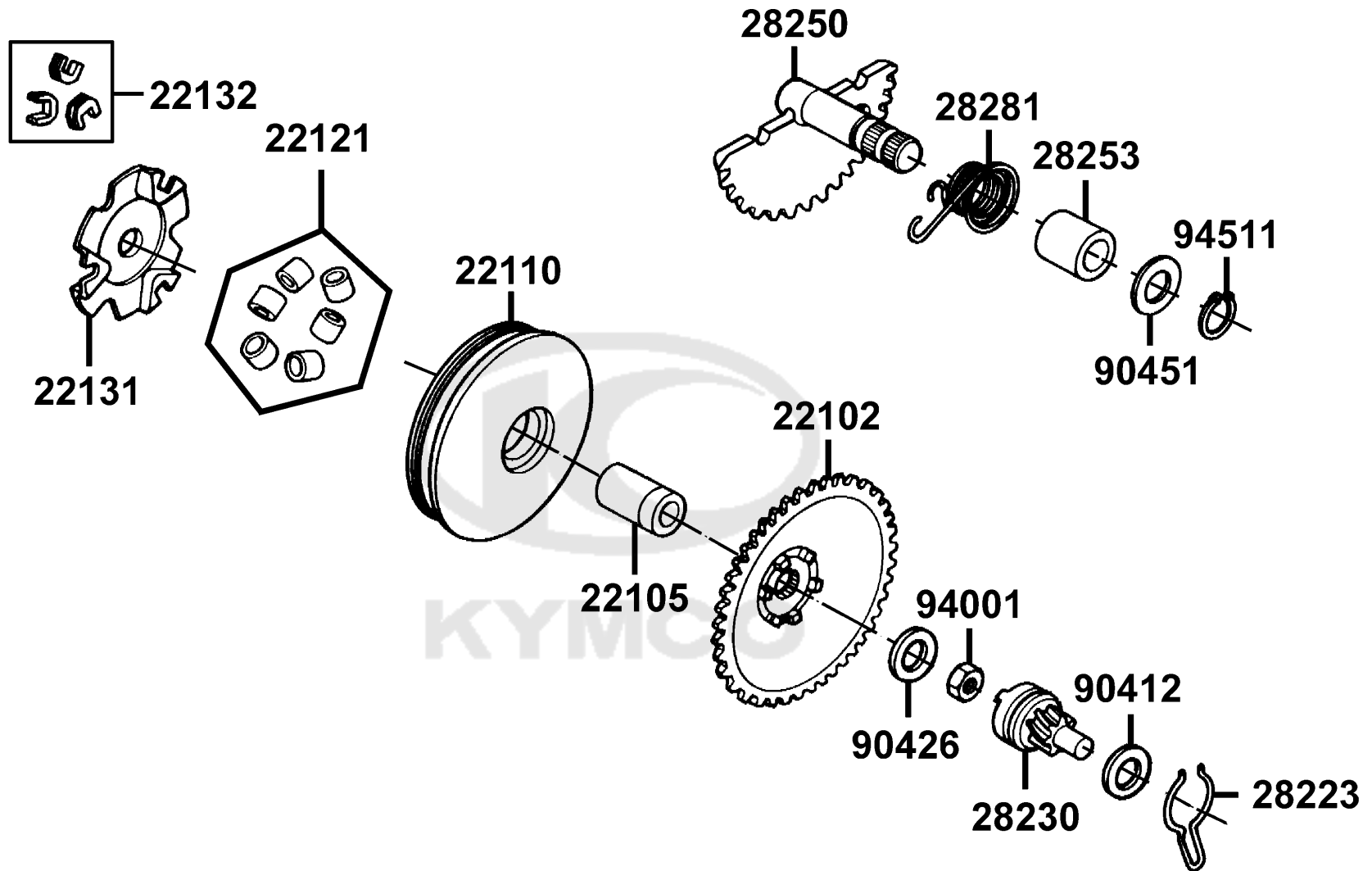
Sales mark	Ref no	Part no	Description	Reg description	Regd no	E04
	31200-GAR1-931	31200-GAR1-931	MOTOR ASSY START	MOTOR ASSY START	1	
	31200-GAR1-93A	31200-GAR1-93A	MOTOR ASSY START	MOTOR ASSY START	1	
	31209	31209-GAR1-751	PINION ASSY STARTER	PINION ASSY STARTER	1	
	91309	91309-GLF0-761	O-RING	O-RING	1	
	96001	96001-06020-06	BOLT FLANGE SH 6*20	BOLT FLANGE SH 6*20	1	



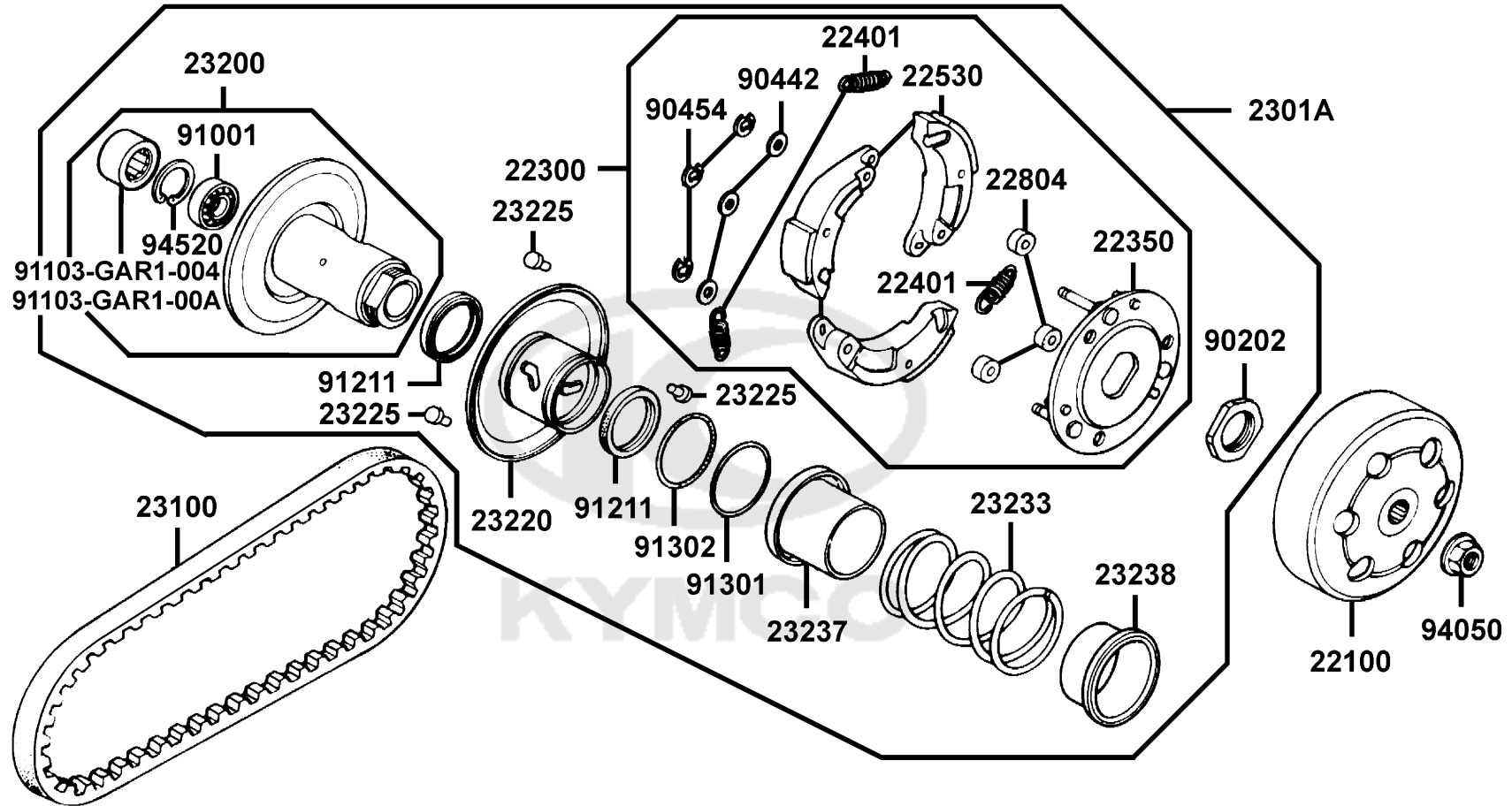


Sales mark	Ref no	Part no	Description	Reg description	Regd no	E05
	11205	11205-GHAH-004	BUSH 8*12*8	BUSH 8*12*8	1	
**	11340	11340-KXCX-900	COVER COMP L SIDE	COVER COMP L SIDE	1	
	11395	11395-KXCX-980	GASKET L SIDE COVER	GASKET L SIDE COVER	1	
	32906	32906-1G07-001	CLIP HIGH TENSIONER CORD	CLIP HIGH TENSIONER CORD	1	
	43452	43452-GBN2-601	CLAMP BRK CABLE	CLAMP BRK CABLE	1	
	90703	90703-HDC4-001	PIN A DOWEL 10*14	PIN A DOWEL 10*14	2	
	96001	96001-06032-06	BOLT FLANGE 6*32	BOLT FLANGE 6*32	1	

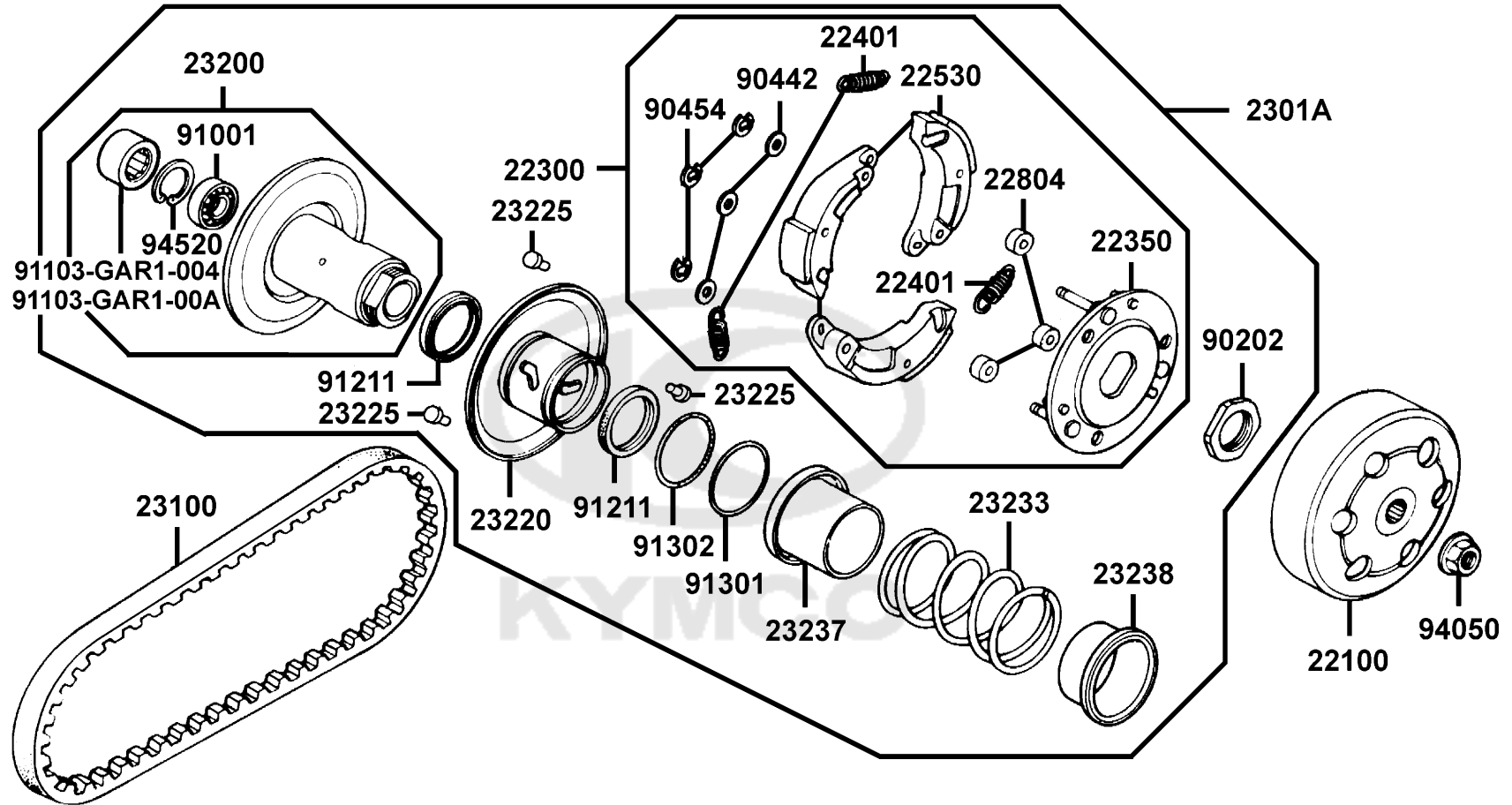





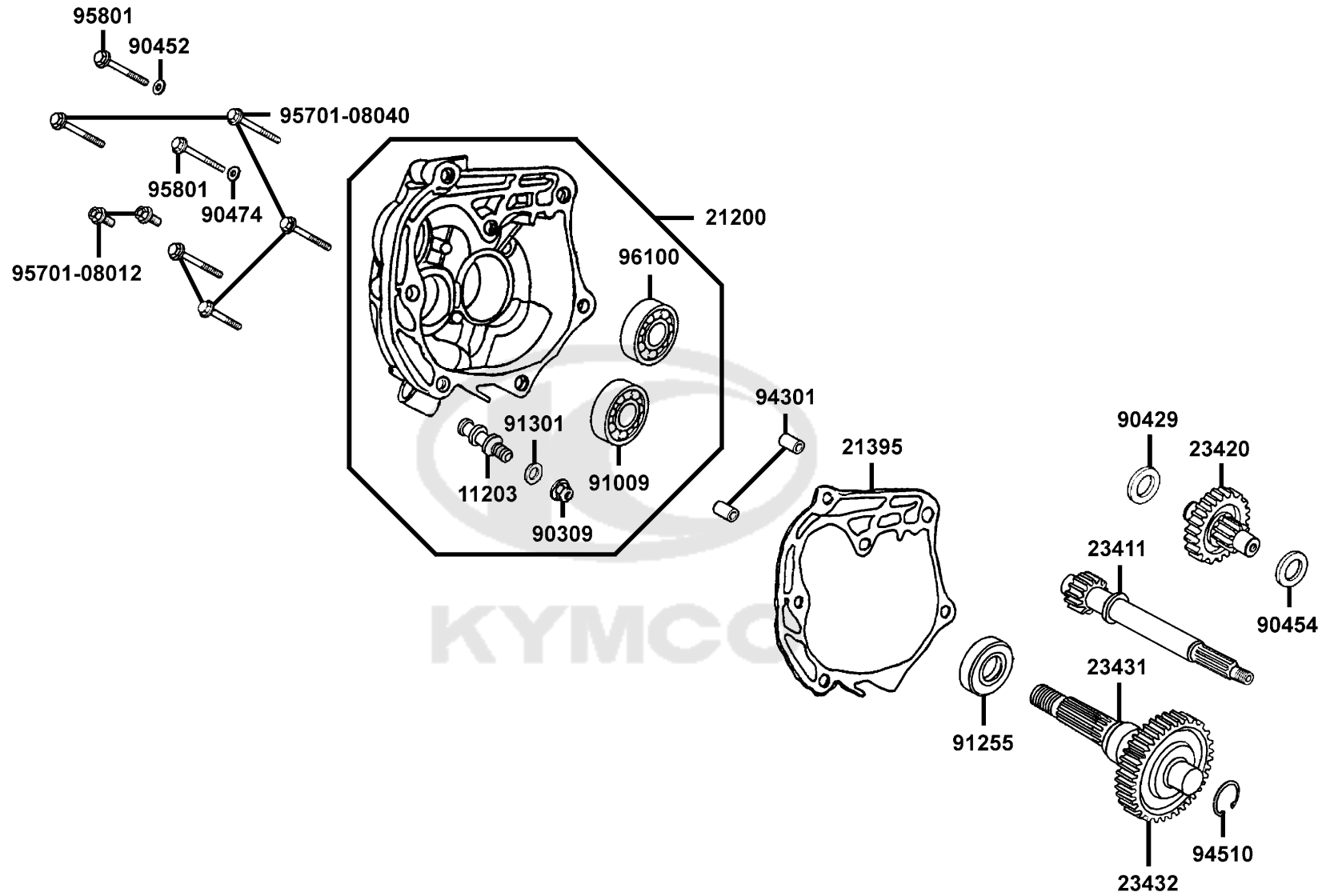
Sales mark	Ref no	Part no	Description	Reg description	Regd no	E06
22102		22102-GHAH-920	FACE DRIVE	FACE DRIVE	1	
22105		22105-KXCX-EZ0	BOSS DRIVE FACE	BOSS DRIVE FACE	1	
22110		22110-KFA1-220	FACE COMP MOVABLE DRIVE	FACE COMP MOVABLE DRIVE	1	
22121		22121-GHT8-305	ROLLER SET WEIGHT (1SET:6PCS)	ROLLER SET WEIGHT (1SET:6PCS)	1	
22131		22131-GHAH-781	PLATE RAMP	PLATE RAMP	1	
22132		22132-GLW0-305	PIECE SLIDE(1SET:3PCS)	PIECE SLIDE(1SET:3PCS)	1	
28223		28223-GHAH-721	SPG FRICTION START GEAR	SPG FRICTION START GEAR	1	
28230		28230-GHAH-721	GEAR COMP KICK DRIVEN	GEAR COMP KICK DRIVEN	1	
28250		28250-GBN2-602	SPINDLE COMP KICK STARTER	SPINDLE COMP KICK STARTER	1	
28253		28253-GBN2-60A	BUSH KICK SPINDLE	BUSH KICK SPINDLE	1	
28281		28281-GBN2-60A	SPRING KICK RETURN	SPRING KICK RETURN	1	
90412		90412-3K29-001	WASHER THRUST 10M/M	WASHER THRUST 10M/M	1	
90426		90426-KNBN-901	WASHER SPECIAL 12MM	WASHER SPECIAL 12MM	1	
90451		90451-GBN2-601	WASHER KICK SPINDLE	WASHER KICK SPINDLE	1	
94001		94001-12280-0S	NUT HEX 12MM	NUT HEX 12MM	1	
94511		94511-14000	CIR CLIP EX 14	CIR CLIP EX 14	1	



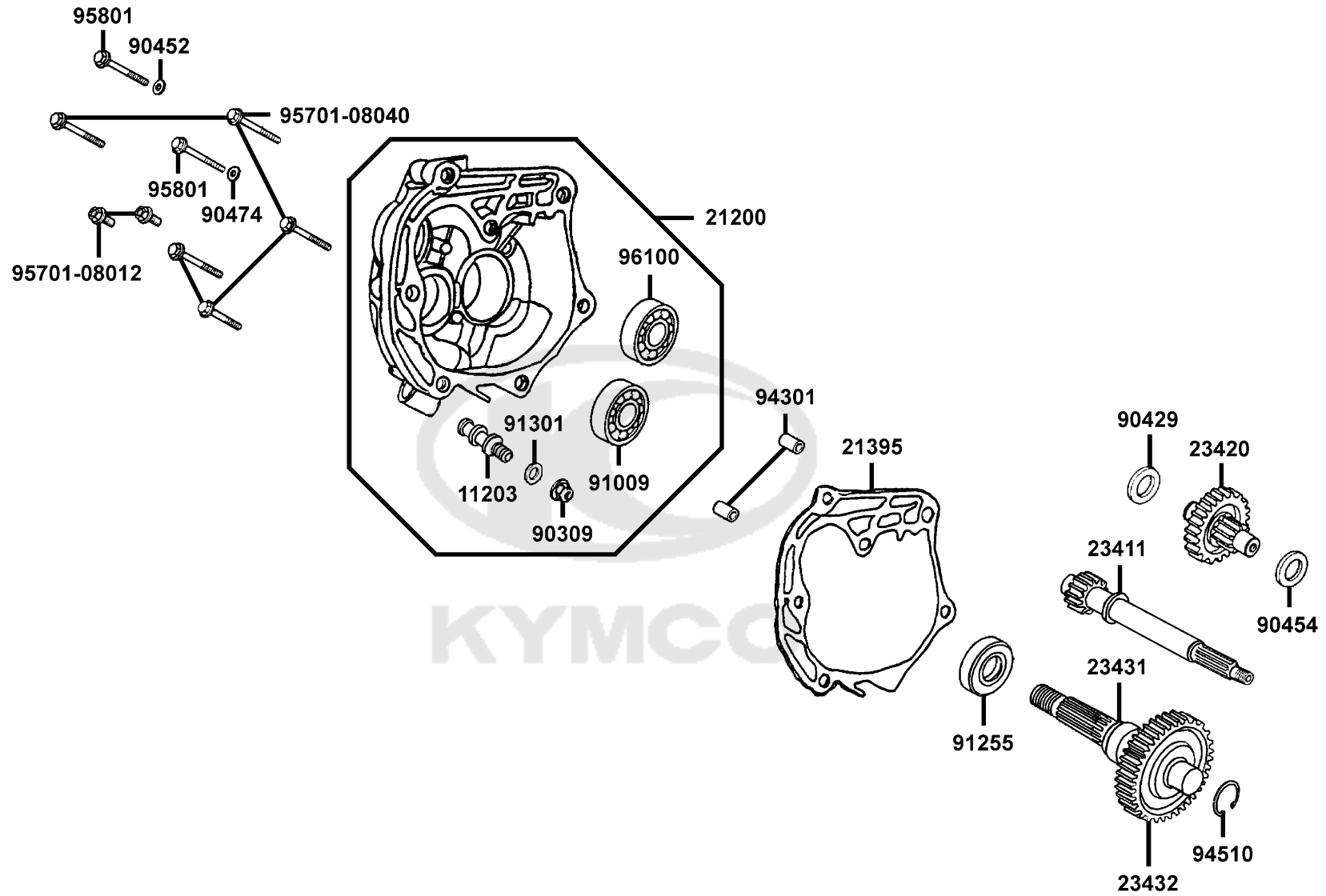
Sales mark	Ref no	Part no	Description	Reg description	Regd no	E07
	22100	22100-GAR1-751	CLUTCH OUTER	CLUTCH OUTER	1	
	22300	22300-KXCX-900	PLATE ASSY DRIVE	PLATE ASSY DRIVE	1	
	22350	22350-GKAK-930	PLATE COMP DRIVE	PLATE COMP DRIVE	1	
	22401	22401-GBG2-900	SPRING CLUTCH	SPRING CLUTCH	3	
	22530	22530-GKAK-930	WEIGHT CLUTCH	WEIGHT CLUTCH	3	
	22804	22804-1H48-001	RUBBER CLUTCH DAMPER	RUBBER CLUTCH DAMPER	3	
	2301A	2301A-KXCX-900	PULLEY ASSY DRIVEN	PULLEY ASSY DRIVEN	1	
	23100	23100-KXCX-900	BELT DRIVE	BELT DRIVE	1	
	23200	23200-GAR1-751	FACE ASSY DRIVEN	FACE ASSY DRIVEN	1	
	23220	23220-KXCX-900	FACE COMP MOVBLE DRIVEN	FACE COMP MOVBLE DRIVEN	1	
	23225	23225-GAR1-751	PIN GUIDE	PIN GUIDE	3	
	23233	23233-GHE8-001	SPG DRIVEN FACE	SPG DRIVEN FACE	1	
	23237	23237-GAR1-881	COLLAR SEAL	COLLAR SEAL	1	
	23238	23238-GFY6-941	COLLAR SPG	COLLAR SPG	1	
	90202	90202-1G87-001	NUT SPECIAL 28MM	NUT SPECIAL 28MM	1	
	90442	90442-0D44-001	WASHER THRUST 6M	WASHER THRUST 6M	3	
	90454	90454-GBB2-001	CIRCLIP 6MM	CIRCLIP 6MM	3	
	91001	91001-GGA7-70A	BRG RADIAL BALL 6901U	BRG RADIAL BALL 6901U	1	
	91103-GAR1-004	91103-GAR1-004	BRG NEEDLE 17*25*18 WS	BRG NEEDLE 17*25*18 WS	1	
	91103-GAR1-00A	91103-GAR1-00A	BRG NEEDLE 17*25*18 WS	BRG NEEDLE 17*25*18 WS	1	



Sales mark	Ref no	Part no	Description	Reg description	Regd no	E07
	91211	91211-GHK8-014	OIL SEAL 34*39*3	OIL SEAL 34*39*3	2	
	91301	91301-KEA5-742	O-RING 36*1.5	O-RING 36X1.5	1	
	91302	91302-PAK9-004	O-RING 39.8*2.2	O-RING 39.8*2.2	1	
	94050	94050-10080	NUT FLANGE 10MM	NUT FLANGE 10MM	1	
	94520	94520-24000	CIR CLIP IN 24	CIR CLIP IN 24	1	
						



Sales mark	Ref no	Part no	Description	Reg description	Regd no	E08
11203		11203-KHG8-301	PIN BRAKE SHOE ANCHOR	PIN BRAKE SHOE ANCHOR	1	
21200		21200-KXCX-305	CASE COMP MISSION	CASE COMP MISSION	1	
21395		21395-KXCX-980	GASKET MISSION CASE @A	GASKET MISSION CASE @A	1	
23411		23411-GLZ0-001	DRIVE SHAFT	DRIVE SHAFT	1	
23420		23420-GAR1-901	SHAFT COMP COUNTER	SHAFT COMP COUNTER	1	
23431		23431-KXCX-900	SHAFT FINAL	SHAFT FINAL	1	
23432		23432-GLW0-901	GEAR FINAL	GEAR FINAL	1	
90309		90309-4H28-73A	NUT FLANGE 8MM	NUT FLANGE 8MM	1	
90429		90429-GBN2-004	WASHER SIDE 14MM	WASHER SIDE 14MM	1	
90452		90452-1G07-001	WASHER THRUST 16.5M/M	WASHER THRUST 16.5M/M	1	
90454		90454-3L50-001	WASHER THRUST 14MM	WASHER THRUST 14MM	1	
90474		90474-3C33-001	WASHER 8MM	WASHER 8MM	1	
91009		91009-GLE0-004	BRG BALL RADIAL 6004 UU	BRG BALL RADIAL 6004 UU	1	
91255		91255-GLE0-006	OIL SEAL 27*42*7	OIL SEAL 27*42*7	1	
91301		91301-0C53-001	O RING 7.5*1.5	O RING 7.5*1.5	1	
94301		94301-10200	DOWEL PIN 10*20	DOWEL PIN 10*20	2	
94510		94510-20000	CIR CLIP EX 20	CIR CLIP EX 20	1	
95701-08012		95701-08012-06	BOLT FLANGE 8*12	BOLT FLANGE 8*12	1	
95701-08040		95701-08040-06	BOLT FLANGE 8x40 (G)	BOLT FLANGE 8x40 (G)	1	
95801		95801-08035-06	BOLT FLANGE 8*35	BOLT FLANGE 8*35	1	

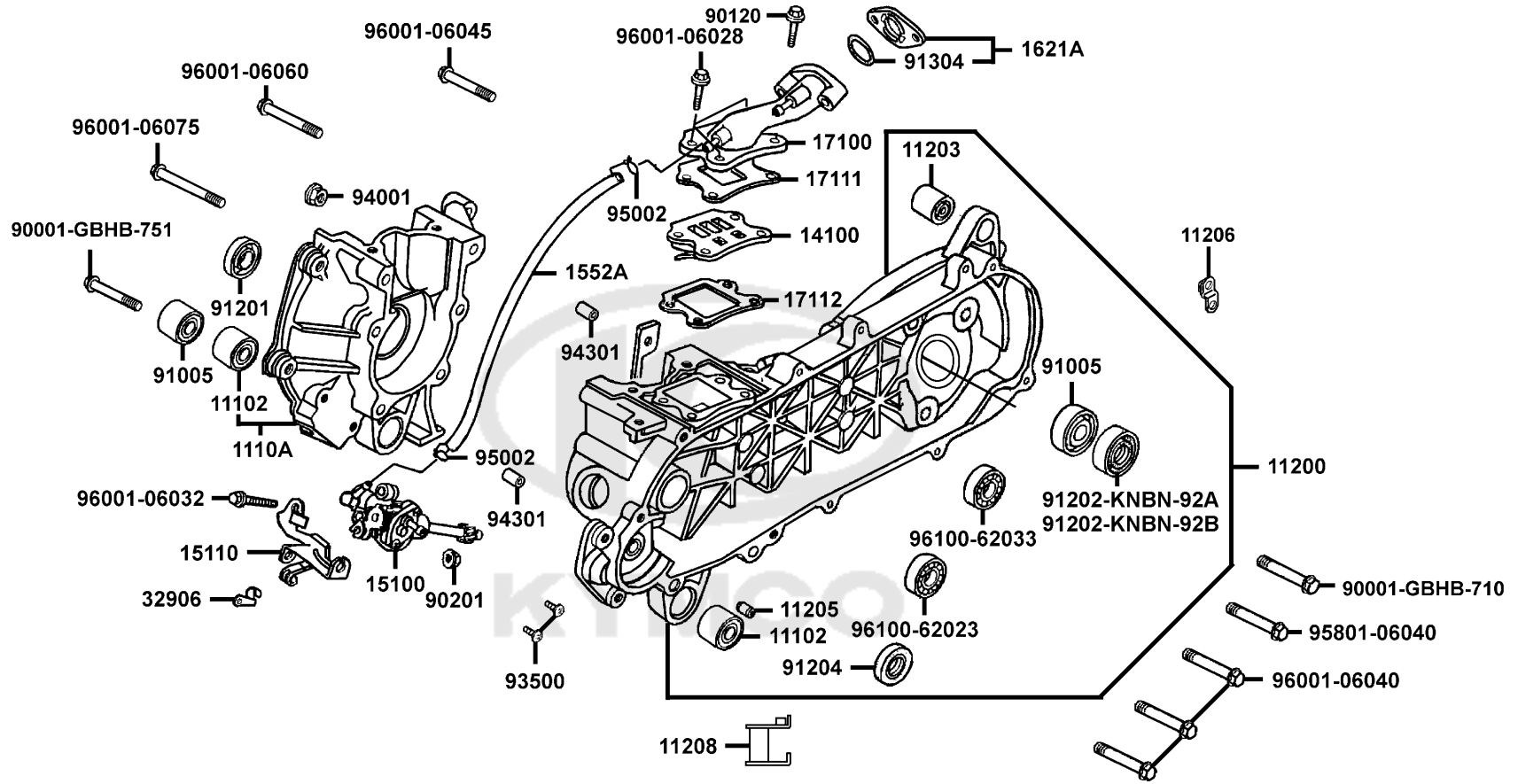


Sales mark	Ref no	Part no	Description	Reg description	Regd no	E08
------------	--------	---------	-------------	-----------------	---------	------------

96100	96100-62013-00	BRG BALL RADIAL 6201	BRG BALL RADIAL 6201		1	
-------	----------------	----------------------	----------------------	--	---	--

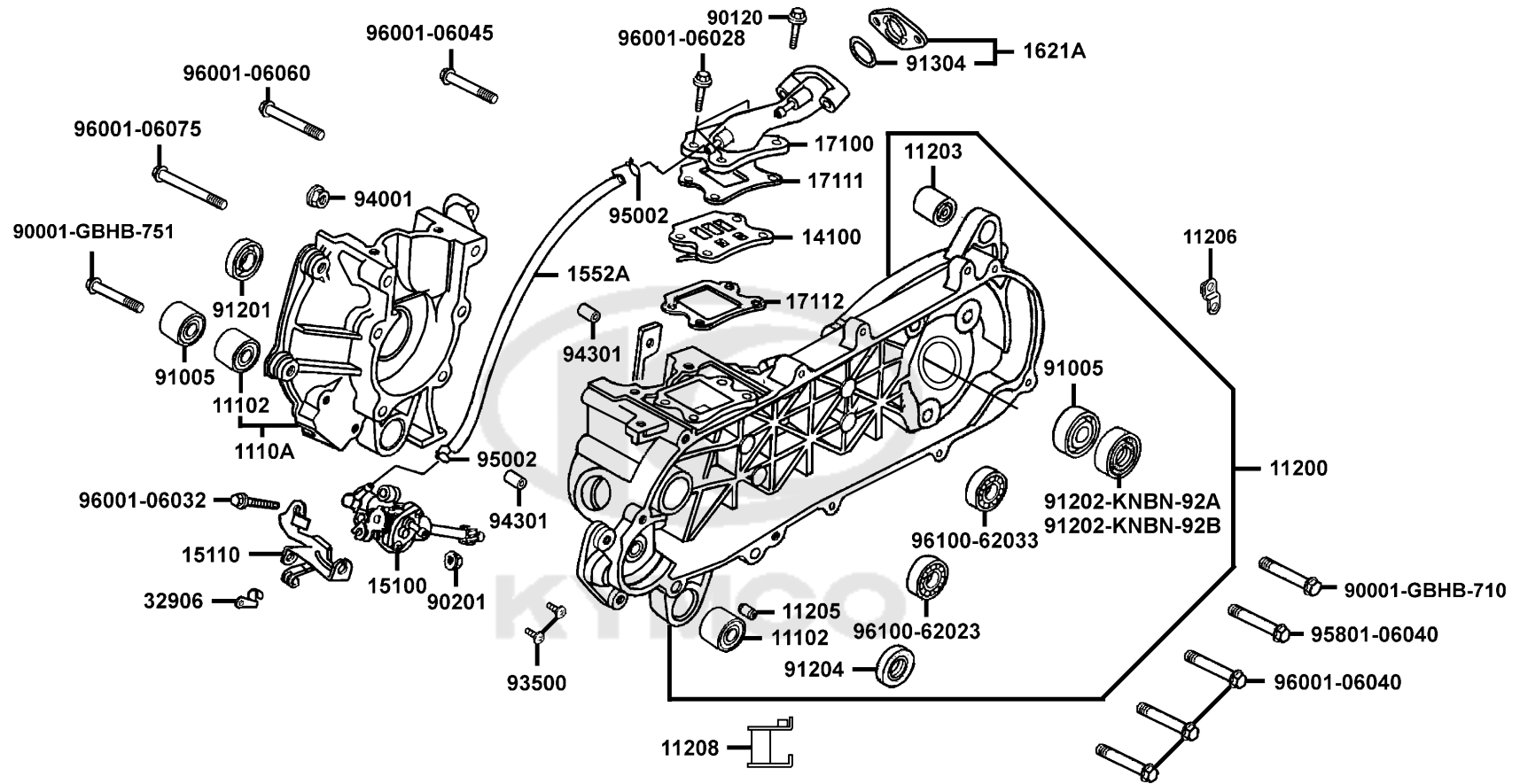


Crankcase OIL PUMP



Sales mark	Ref no	Part no	Description	Reg description	Regd no	E09
	11102	11102-GLW0-004	RUBBER BUSH ENG HANGER	RUBBER BUSH ENG HANGER	2	
	1110A	1110A-GAR1-941	CRANK CASE ASSY RIGHT	CRANK CASE ASSY RIGHT	1	
	11200	11200-KXCX-306	CRANK CASE ASSY LEFT	CRANK CASE ASSY LEFT	1	
	11203	11203-GGC7-301	UNDER RUBBER BUSH REAR CUSHION	UNDER RUBBER BUSH REAR CUSHION	1	
	11205	11205-GHAH-004	BUSH 8*12*8	BUSH 8*12*8	1	
	11206	11206-KXCX-E00	STAY RR FENDER	STAY RR FENDER	1	
	11208	11208-KXCX-901	CLAMP BRAKE WIRE	CLAMP BRAKE WIRE	1	
	14100	14100-GAR1-941	VALVE COMP REED	VALVE COMP REED	1	
	15100	15100-GAR1-C00	OIL PUMP ASSY	OIL PUMP ASSY	1	
	15110	15110-GGS7-901	SET PLATE COMP	SET PLATE COMP	1	
	1552A	1552A-GAR1-E00	TUBE ASSY OIL PASS	TUBE ASSY OIL PASS	1	
	1621A	1621A-GMAM-000	INSULATOR ASSY CARB	INSULATOR ASSY CARB	1	
	17100	17100-GAR1-E00	PIPE COMP INLET	PIPE COMP INLET	1	
	17111	17111-GLW0-980	GASKET INLET PIPE A @A	GASKET INLET PIPE A @A	1	
	17112	17112-GLW0-980	GASKET INLET PIPE B @A	GASKET INLET PIPE B @A	1	
	32906	32906-GBR2-701	CLIP ACG CORD	CLIP ACG CORD	1	
	90001-GBHB-711	90001-GBHB-711	BOLT FLANGE SHF 6*40	BOLT FLANGE SHF 6*40	1	
	90001-GBHB-751	90001-GBHB-751	BOLT FLANGE SHF 6*45	BOLT FLANGE SHF 6*45	1	
	90120	90120-GAR1-J00	SOCKET BOLT SPECIAL 6*28	SOCKET BOLT SPECIAL 6*28	1	
	90201	90201-GBR2-001	NUT SPECIAL 6MM(C)	NUT SPECIAL 6MM(C)	1	

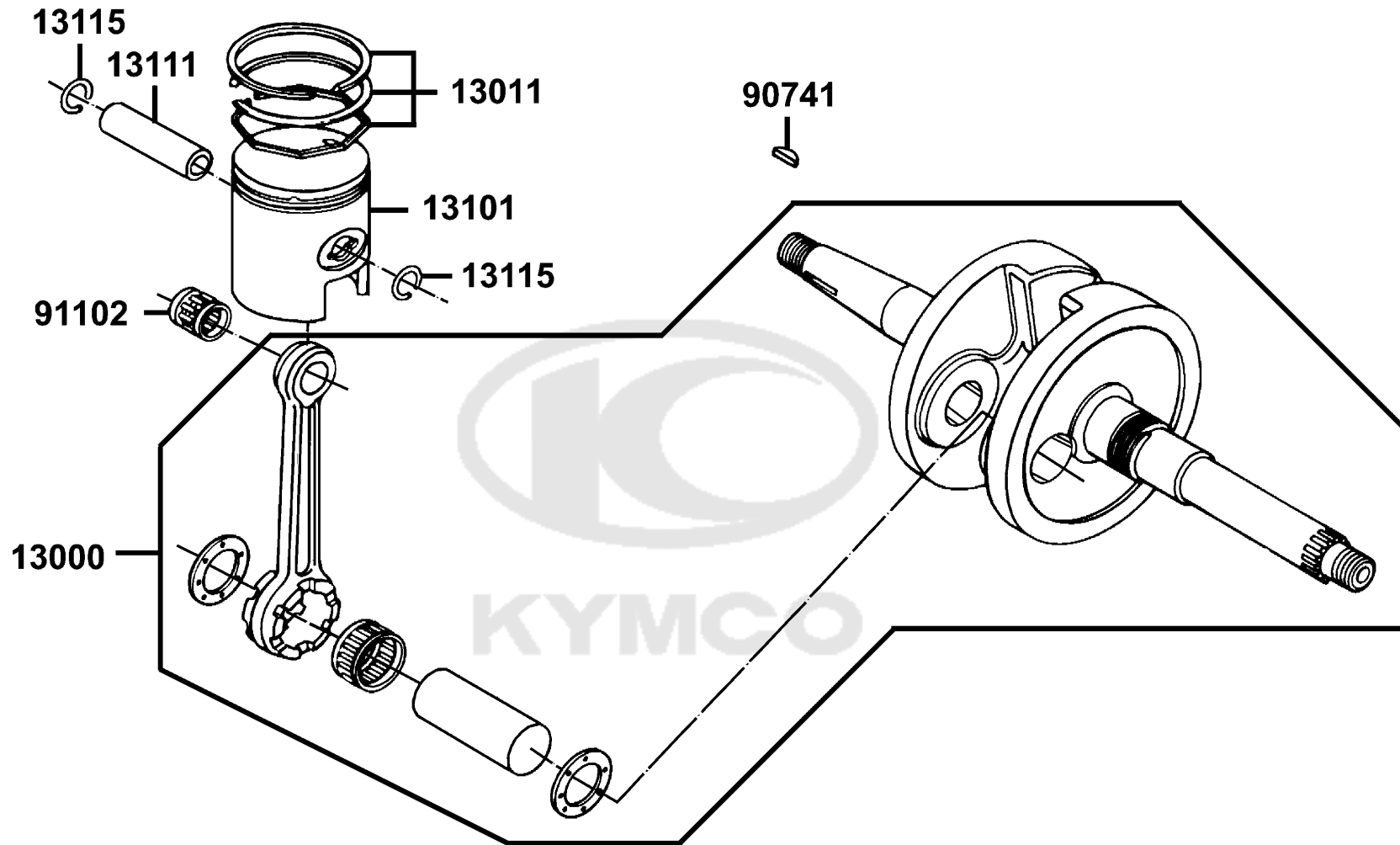
CrankcaseOIL PUMP



Sales mark	Ref no	Part no	Description	Reg description	Regd no	E09
	91005	91005-GCW3-95A	BRG BALL PADIAL 6304 SPL	BRG BALL PADIAL 6304 SPL	2	
	91201	91201-KNBN-92A	OIL SEAL 15.6*25.5*7	OIL SEAL 15.6*25.5*7	1	
	91202-KNBN-92A	91202-KNBN-92A	OIL SEAL 20*31*7	OIL SEAL 20*31*7	1	
	91202-KNBN-92B	91202-KNBN-92B	OIL SEAL 20*31*7	OIL SEAL 20*31*7	1	
	91204	91204-GBN2-006	OIL SEAL 17*30*5	OIL SEAL 17*30*5	1	
	91304	91304-GLB0-911	O RING 20.6*1.9	O RING 20.6*1.9	1	
	93500	93500-05012-0F	SCREW PAN 5X12	SCREW PAN 5X12	1	
	94001	94001-06080-0S	NUT HEX 6MM	NUT HEX 6MM	1	
	94301	94301-08200	PIN DOWEL 8*20	PIN DOWEL 8*20	2	
	95002	95002-02650	CLIP B6.5 TUBE	CLIP B6.5 TUBE	2	
	95801	95801-06040-06	BOLT FLANGE 6X40	BOLT FLANGE 6X40	1	
	96001-06028	96001-06028-06	BOLT FLANGE SH 6*28	BOLT FLANGE SH 6*28	1	
	96001-06032	96001-06032-06	BOLT FLANGE 6*32	BOLT FLANGE 6*32	1	
	96001-06040	96001-06040-06	BOLT FLANGE SH 6*40	BOLT FLANGE SH 6*40	1	
	96001-06045	96001-06045-06	BOLT FLANGE 6X45	BOLT FLANGE 6X45	1	
	96001-06060	96001-06060-06	BOLT FLANE 6*60	BOLT FLANE 6*60	1	
	96001-06075	96001-06075-06	BOLT FLANGE SH 6X75	BOLT FLANGE SH 6X75	1	
	96100-62023	96100-62023-00	BRG BALL RADIAL 6202	BRG BALL RADIAL 6202	1	
	96100-62033	96100-62033-00	BEARING BALL RADIAL 6203	BEARING BALL RADIAL 6203	1	

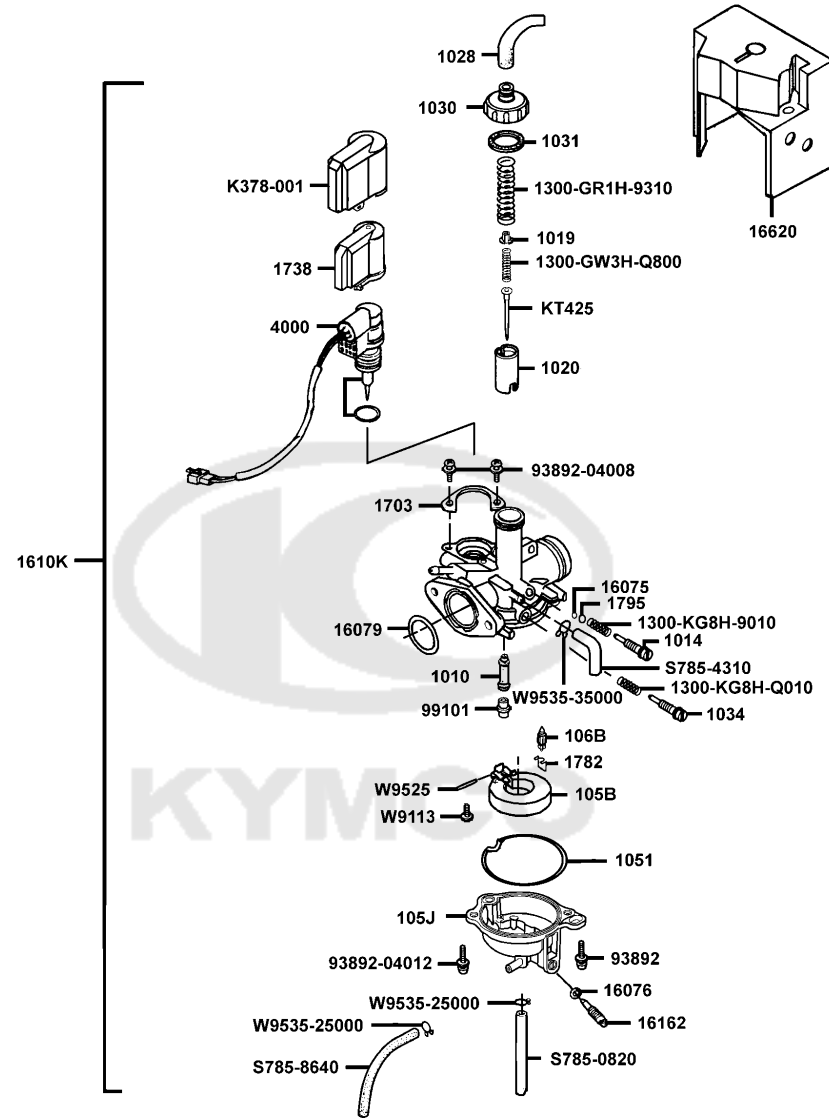
E10

CrankshaftPiston

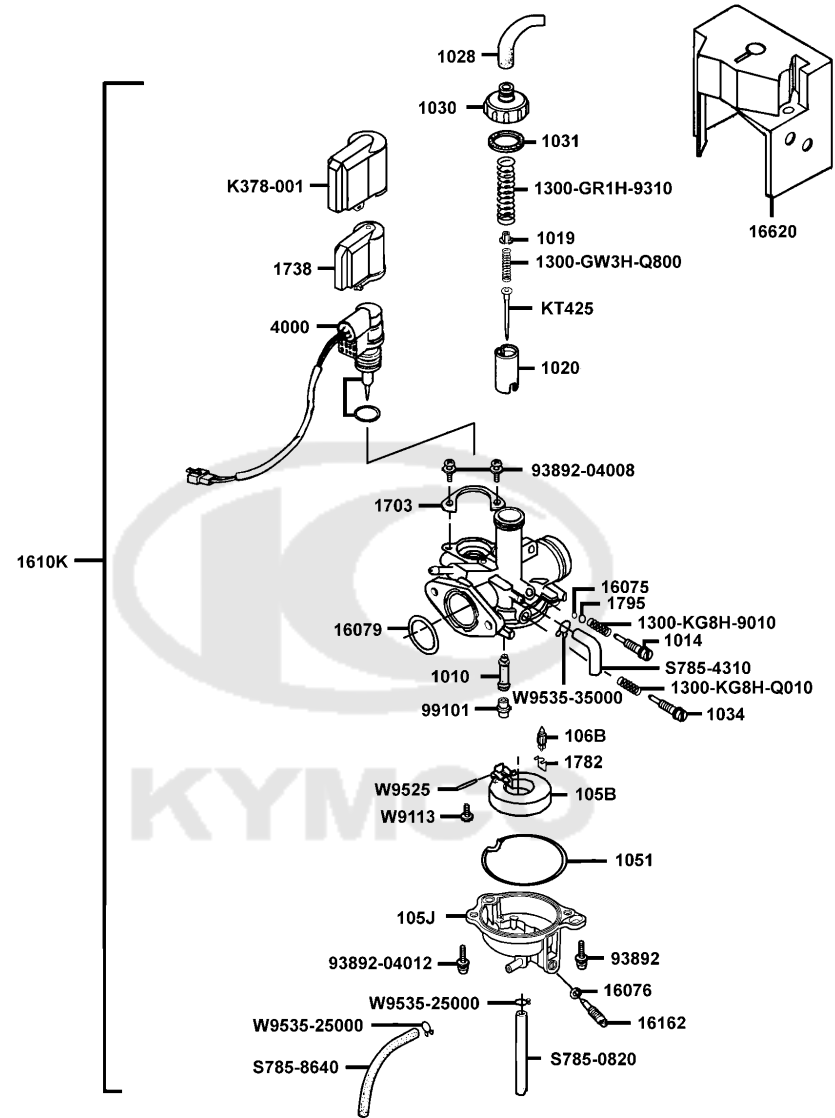


Sales mark	Ref no	Part no	Description	Reg description	Regd no	E10
13000		13000-GAR1-960	SHAFT COMP CRANK	SHAFT COMP CRANK	1	
13011		13011-GLW0-90A	PISTON RING SET	RING ASSY PISTON	1	
13101		13101-GLW0-901	PISTON	PISTON	1	
13111		13111-1F66-001	PIN PISTON	PIN PISTON	1	
13115		13115-1F56-001	CLIP PISTON PIN 12MM	CLIP PISTON PIN 12MM	2	
90741		90741-0E35-001	KEY WOODRUFF	KEY WOODRUFF	1	
91102		91102-GLW0-009	BRG CON-ROD S. E.	BRG CON-ROD S. E.	1	





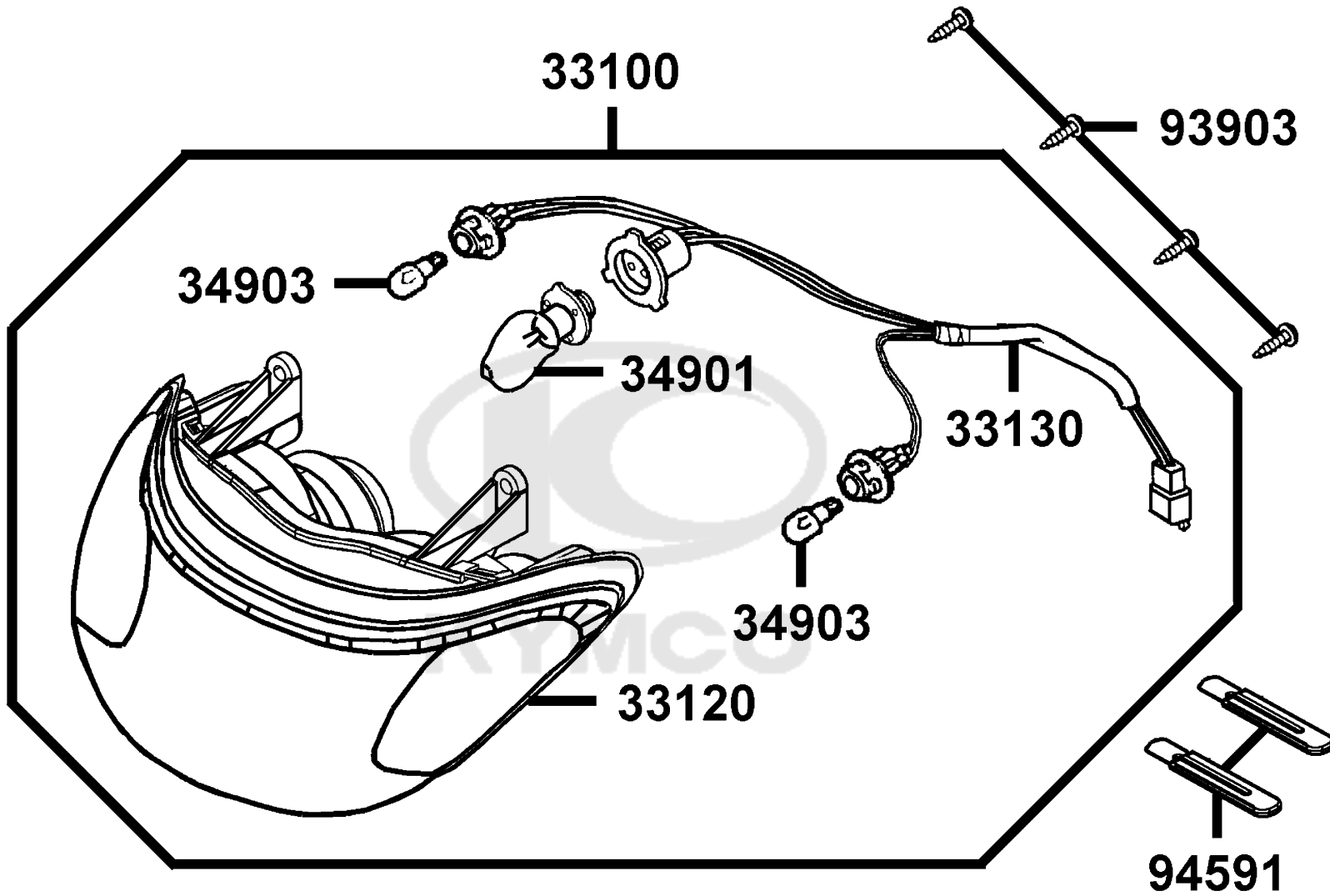
Sales mark	Ref no	Part no	Description	Reg description	Regd no	E11
	1010	1010-OAGH-9900	NEEDLE JET	NEEDLE JET	1	
	1014	1014-240H-9900	SCREW ADJUST	SCREW ADJUST	1	
	1019	1019-GW3H-9800	VALVE PLATE	VALVE PLATE	1	
	1020	1020-GR1H-9310	THROTTLE VALVE	THROTTLE VALVE	1	
	1028	1028-187H-0030	CABLE SEALING CAP	CABLE SEALING CAP	1	
	1030	1030-868-2100	TOP COMP	TOP COMP	1	
	1031	1031-GN2H-8710	TOP GASKET	TOP GASKET	1	
	1034	1034-KG8H-9020	SCREW STOP	SCREW STOP	1	
	1051	1051-490H-9920	FLOAT CHAMBER GASKET	FLOAT CHAMBER GASKET	1	
	105B	105B-046H-9901	FLOAT COMP	FLOAT COMP	1	
	105J	105J-69AH-9901	FLOAT CHAMER BODY COMP	FLOAT CHAMER BODY COMP	1	
	106B	106B-KG8H-9804	FLOAT VALVE COMP	FLOAT VALVE COMP	1	
	1300-GR1H-9310	1300-GR1H-9310	SPG COMPR	SPG COMPR	1	
	1300-GW3H-Q800	1300-GW3H-Q800	SPG COMPR	SPG COMPR	1	
	1300-KG8H-9010	1300-KG8H-9010	COMPR SPG	COMPR SPG	1	
	1300-KG8H-Q010	1300-KG8H-Q010	COMPR SPG	COMPR SPG	1	
	16075	16075-KG8-9010-M1	O-RING	O-RING	1	
	16076	16076-ND5-0040	O RING	O RING	1	
	16079	16079-NC5-0040	O-RING	O-RING	1	
	1610K	1610K-KCX-EZO	CARBURETOR ASSY	CARBURETOR ASSY	1	



Sales mark	Ref no	Part no	Description	Reg description	Regd no	E11
16162		16162-KG8-9010-M1	DRAIN SCREW PAN	DRAIN SCREW PAN	1	
16620		16620-KEB7-E00	CAP CARBURETOR	CAP CARBURETOR	1	
1703		1703-GJ2H-0040	SET PLATE	SET PLATE	1	
1738		1738-GJ2H-0040	HOLDER CAP	HOLDER CAP	1	
1782		1782-KG8H-9010	CLIP	CLIP	1	
1795		1795-KG8H-9011-3	WASHER PLAIN	WASHER PLAIN	1	
4000		4000-039-0000	AUTO BY-ST ASSY	AUTO BY-ST ASSY	1	
93892-04008-18		93892-04008-16	SCREW WASHER 4X8	SCREW WASHER 4X8	1	
93892-04012-18		93892-04012-18	SCREW WASHER	SCREW WASHER	2	
99101		99101-187-0750	MAIN JET #75	MAIN JET #75	1	
K378		K378-001	CAP ASSY	CAP ASSY	1	
KT425		KT425-KLE-9000	JET NEEDLE COMP	JET NEEDLE COMP	1	
S785		S785-0820	PIPE RUBBER	PIPE RUBBER	1	
S785		S785-4310	PIPE RUBBER	PIPE RUBBER	1	
S785		S785-8640	PIPE RUBBER	PIPE RUBBER	1	
W9113		W9113-04080	SCREW PLAT	SCREW PLAT	1	
W9525		W9525-20180	ARM PIN	ARM PIN	1	
W9535-25000		W9535-25000	TUBE CLIP	TUBE CLIP	2	
W9535-35000		W9535-35000	CLIP	CLIP	1	

F01

Head Light

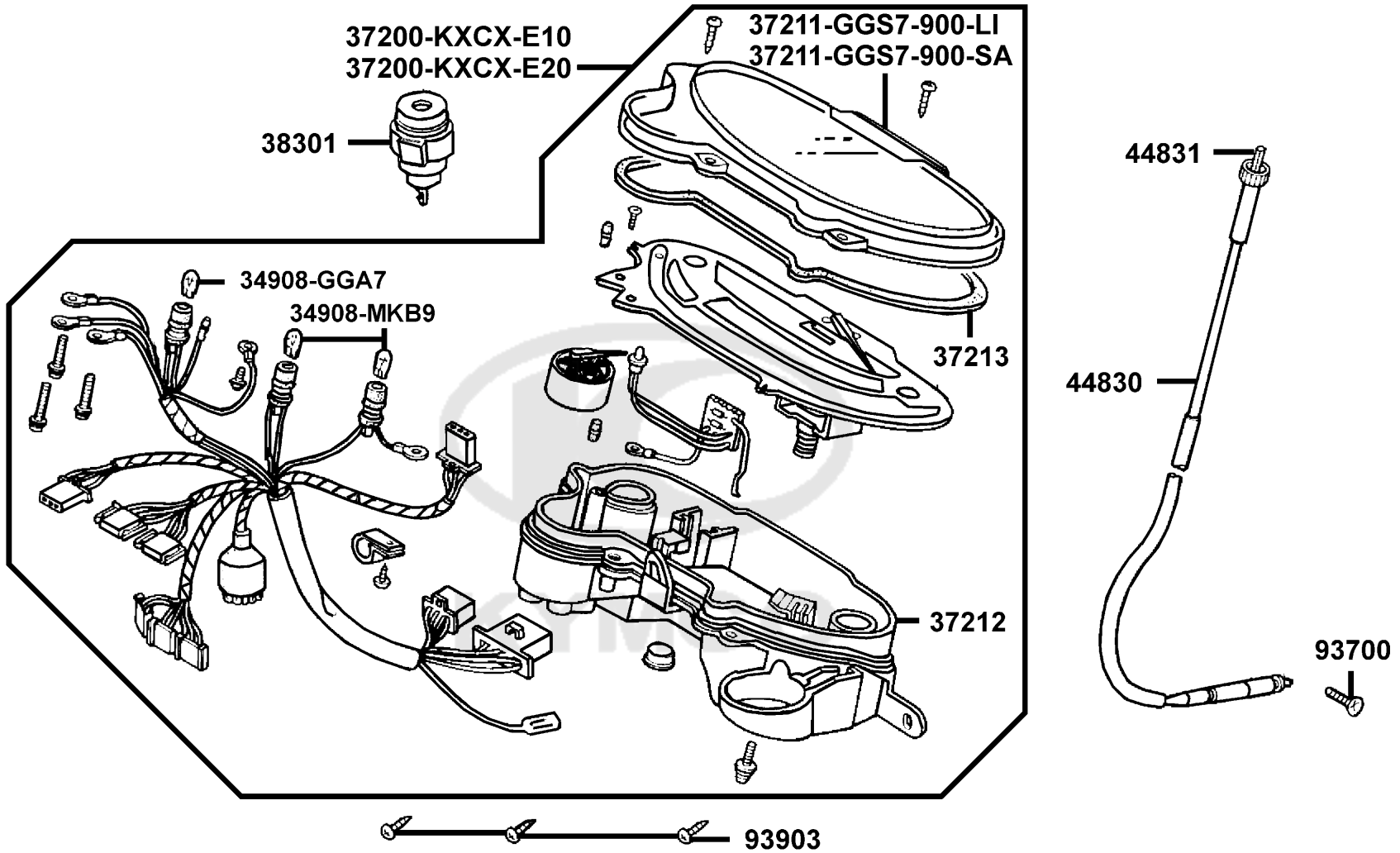


Sales mark	Ref no	Part no	Description	Reg description	Regd no	F01
	33100	33100-KKDK-E00	LIGHT ASSY HEAD & POSITION	LIGHT ASSY HEAD & POSITION	1	
	33120	33120-KKDK-E00	UNIT HEAD LIGHT	UNIT HEAD LIGHT	1	
	33130	33130-KKDK-E00	SOCKET COMP	SOCKET COMP	1	
	34901	34901-KBAB-900	BULB HEAD LIGHT	BULB HEAD LIGHT	1	
	34903	34903-KPCP-900	BULB POSITION LIGHT 12V5W **KCP-	BULB POSITION LIGHT 12V5W	2	
	93903	93903-34320	SCREW TAPPING 4*12	SCREW TAPPING 4*12	4	
	94591	94591-25000	CLIP BIND	CLIP BIND	2	



F02

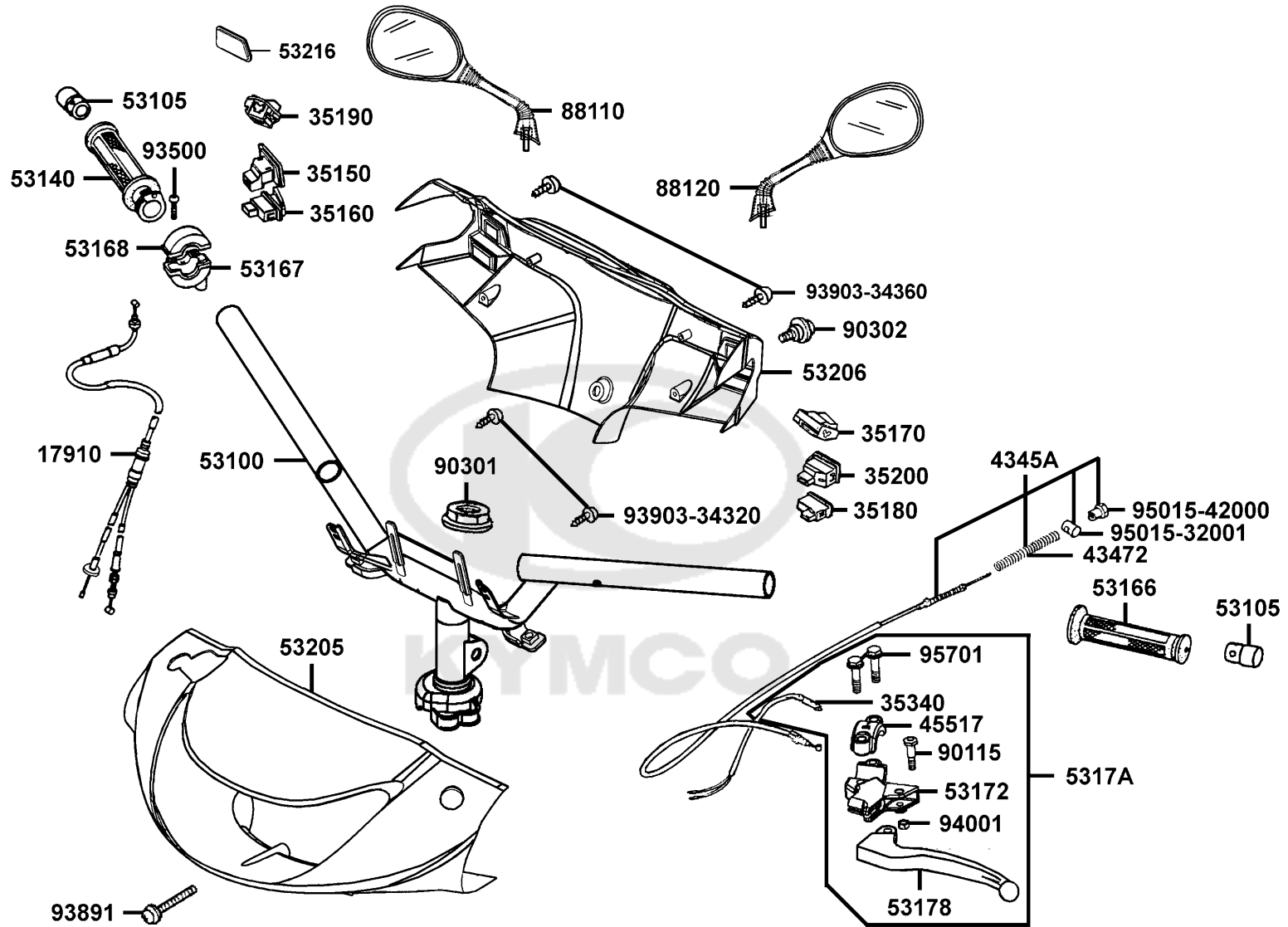
Head Light



Sales mark	Ref no	Part no	Description	Reg description	Regd no	F02
	34908-GGA7	34908-GGA7-70A	BULB WEDGE BASE 12V*3.4W	BULB WEDGE BASE 12V*3.4W	1	
	34908-MKB9	34908-MKB9-87A	BULB WEDGE BASE T10	BULB WEDGE BASE T10	2	
	37200-KXCX-E10	37200-KXCX-E10	METER ASSY SPEED	METER ASSY SPEED	1	
	37200-KXCX-E20	37200-KXCX-E20	METER ASSY SPEED	METER ASSY SPEED	1	
	37211-GGS7-900-LI	37211-GGS7-900-LI	LENS	LENS	1	
	37211-GGS7-900-SA	37211-GGS7-900-SA	LENS	LENS	1	
	37212	37212-GGS7-900	CASE ASSY	CASE ASSY	1	
	37213	37213-GGS7-900	PACKING	PACKING	1	
	38301	38301-GGS7-005	RELAY COMP AP WINKER	RELAY COMP AP WINKER	1	
	44830	44830-KXCX-901	CABLE COMP SPDMT	CABLE COMP SPDMT	1	
	44831	44831-KXCX-900	CABLE INNER	CABLE INNER	1	
	93700	93700-05018-0F	SCREW OVAL 5*18	SCREW OVAL 5*18	1	
	93903	93903-25360	SCREW TAPPING 5*16	SCREW TAPPING 5*16	1	

F03

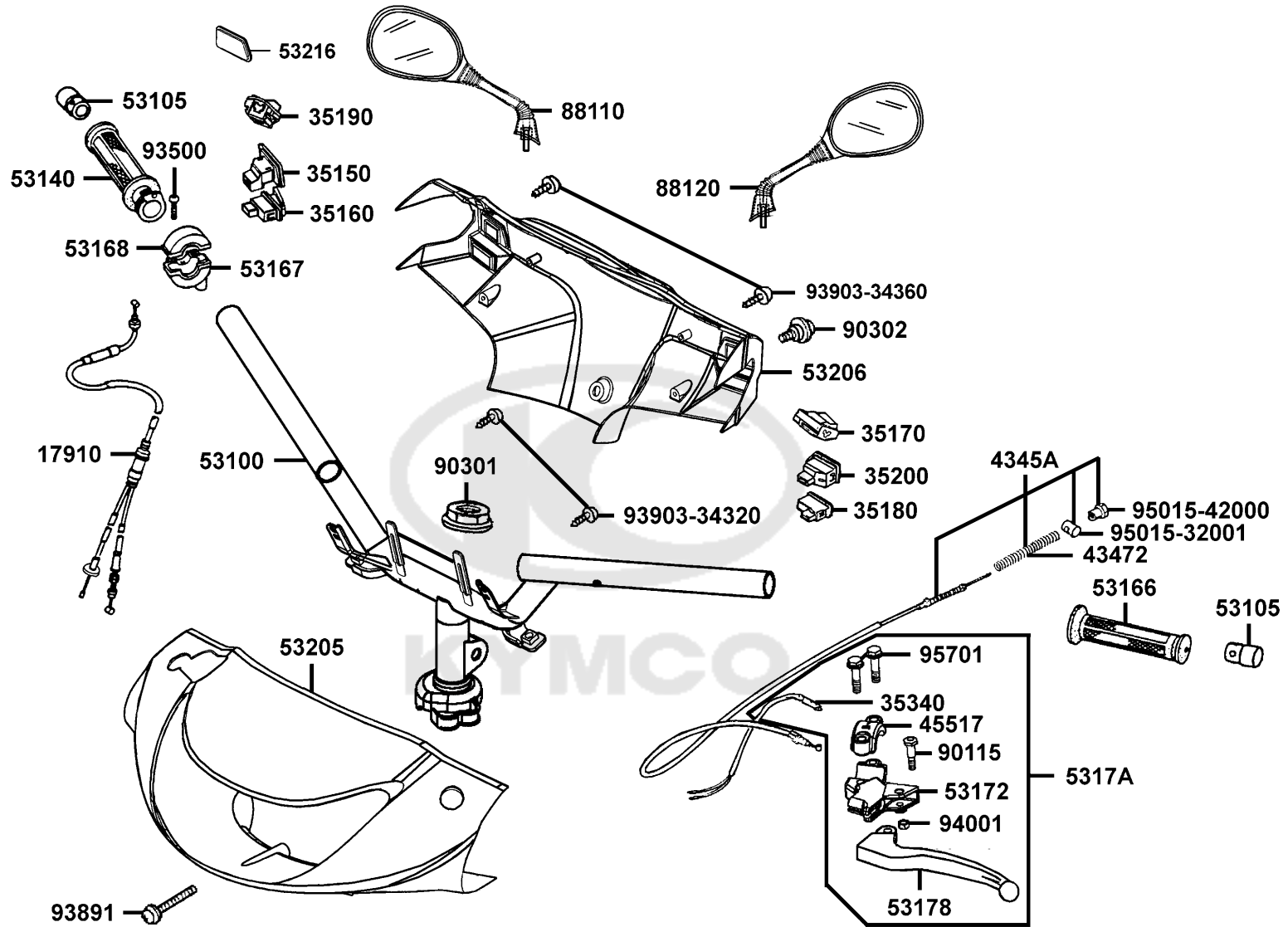
Handle Steering Handle Cover



Sales mark	Ref no	Part no	Description	Reg description	Regd no	F03
	17910	17910-KSBS-200	CABLE COMP THROT	CABLE COMP THROT	1	
	35150	35150-GFY6-900	SW UNIT LIGHTING	SW UNIT LIGHTING	1	
	35160	35160-GFY6-900	SW UNIT STARTER	SW UNIT STARTER	1	
	35170	35170-KNBN-910	SW UNIT DIMMER & PASSING	SW UNIT DIMMER & PASSING	1	
	35180	35180-GFY6-900	SW UNIT HORN	SW UNIT HORN	1	
	35190	35190-GFY6-900	SW UNIT HAZARD	SW UNIT HAZARD	1	
	35200	35200-GFY6-910	SW UNIT WINKER	SW UNIT WINKER	1	
	35340	35340-KABA-900	SW ASSY FR STOP	SW ASSY FR STOP	1	
	4345A	4345A-KXCX-901	CABLE ASSY RR BRK	CABLE ASSY RR BRK	1	
	43472	43472-1A61-001	SPG RR BRK ARM	SPG RR BRK ARM	1	
	45517	45517-GFY6-900	HOLDER HNDL BRKT	HOLDER HNDL BRKT	1	
	53100	53100-KXCX-E00	HANDLE COMP STEERING	HANDLE COMP STEERING	1	
	53105	53105-KNBN-910	END STRG HANDLE	END STRG HANDLE	2	
**	53140	53140-KNBN-960	GRIP COMP THROT	GRIP COMP THROT	1	
**	53166	53166-KNBN-911	GRIP L HANDLE	GRIP L HANDLE	1	
	53167	53167-GBN2-021	HOUSING UNDER THROT	HOUSING UNDER THROT	1	
	53168	53168-GBN2-021	HOUSING UP THROT	HOUSING UP THROT	1	
	53172	53172-KACA-900	BRKT HANDLE	BRKT HANDLE	1	
**	53178	53178-KXCX-E90	LEVER L STRG HNDL	LEVER L STRG HNDL	1	
	5317A	5317A-KXCX-E00	BRKT ASSY HANDLE	BRKT ASSY HANDLE	1	

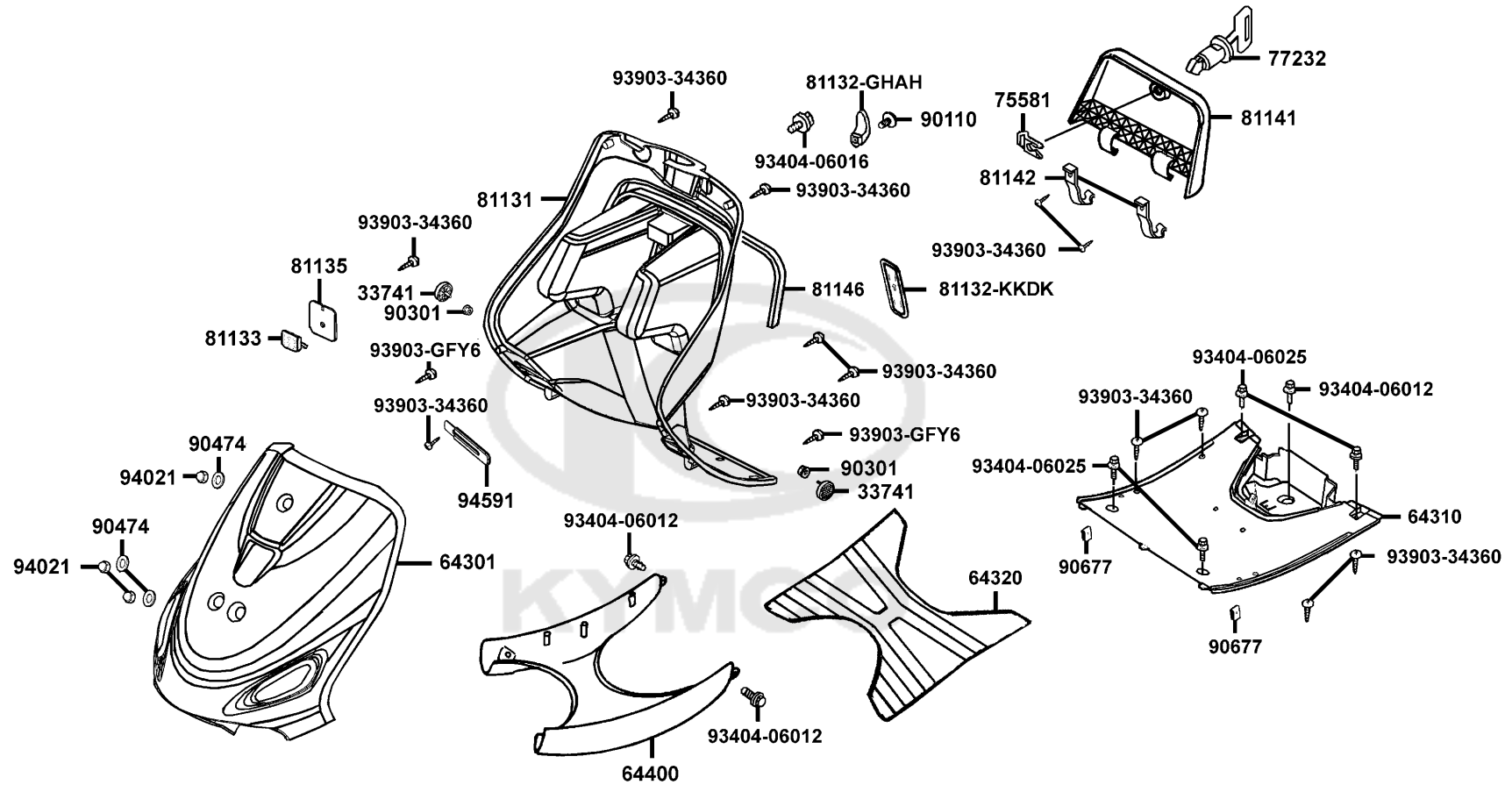
F03

Handle Steering Handle Cover



Sales mark	Ref no	Part no	Description	Reg description	Regd no	F03
**	53205	53205-KXCX-E00	COVER FR HANDLE	COVER FR HANDLE	1	
**	53206	53206-KACA-900	COVER RR HANDLE	COVER RR HANDLE	1	
**	53216	53216-KACA-C10	PLUG RR HANDLE COVER **KCA	PLUG RR HANDLE COVER **KCA 2006.07.01	1	
	88110	88110-KXCX-E00	MIRROR ASSY R BACK	MIRROR ASSY R BACK	1	
	88120	88120-KXCX-E00	MIRROR ASSY L BACK	MIRROR ASSY L BACK	1	
	90115	90115-GLE0-001	BOLT HNDL LEVER PIVOT	BOLT HNDL LEVER PIVOT	1	
	90301	90301-KCAC-900	NUT STRG STEM	NUT STRG STEM	1	
	90302	90302-KNBN-900	BOLT PAN 5*10	BOLT PAN 5*10	1	
	93500	93500-05022-0F	SCREW PAN 5X22	SCREW PAN 5X22	1	
	93891	93891-05025-06	SCREW WASH 5*25	SCREW WASH 5*25	1	
	93903-34320	93903-34320	SCREW TAPPING 4*12	SCREW TAPPING 4*12	2	
	93903-34360	93903-34360	SCREW TAPPING 4X12	SCREW TAPPING 4X12	2	
	94001	94001-05080-0S	NUT HEX 5MM	NUT HEX 5MM	1	
	95015-32001	95015-32001	JOINT B BRAKE ARM	JOINT B BRAKE ARM	1	
	95015-42000	95015-42000	NUT B ADJUST	NUT B ADJUST	1	
	95701	95701-06025-06	BOLT FLANGE 6*25	BOLT FLANGE 6*25	2	

Sales mark	Ref no	Part no	Description	Reg description	Regd no	F04
	32101	32101-GFY6-901	SUB CORD R	SUB CORD R	1	
	35340	35340-KNBN-901	SW ASSY FR STOP	SW ASSY FR STOP	1	
	45126	45126-KXCX-E10	HOSE ASSY FR BRK	HOSE ASSY FR BRK	1	
	45513	45513-GLW0-91A	CAP MASTER CYLINDER	CAP MASTER CYLINDER	1	
	45517	45517-KFAF-910	HOLDER M/C	HOLDER M/C	1	
	45530	45530-KXCX-306-US	CYLN SET FR (MASTER)	CYLN SET FR (MASTER)	1	
**	53175	53175-KXBX-E10	LEVER R STRG HANDLE	LEVER R STRG HANDLE	1	
	90114	90114-1F66-007	BOLT HANDLE LEVER	BOLT HANDLE LEVER	1	
	90145	90145-LEA3-E00	OIL BOLT 10*22	OIL BOLT 10*22	1	
	90545	90545-3L00-001	WASHER OIL BOLT	WASHER OIL BOLT	4	
	93600	93600-04012-1G	SCREW FLAT 4*12	SCREW FLAT 4*12	2	
	93893	93893-04012-18	SCREW WASHER 4*12	SCREW WASHER 4*12	1	
	94050	94050-06080	NUT FLANGE 6MM	NUT FLANGE 6MM	1	
	95701-06012	95701-06012-06	BOLT FLANGE 6*12 **07 C.2005.07.01	BOLT FLANGE 6X12	1	
	95701-06022	95701-06022-06	BOLT FLANGE 6*22	BOLT FLANGE 6*22	2	



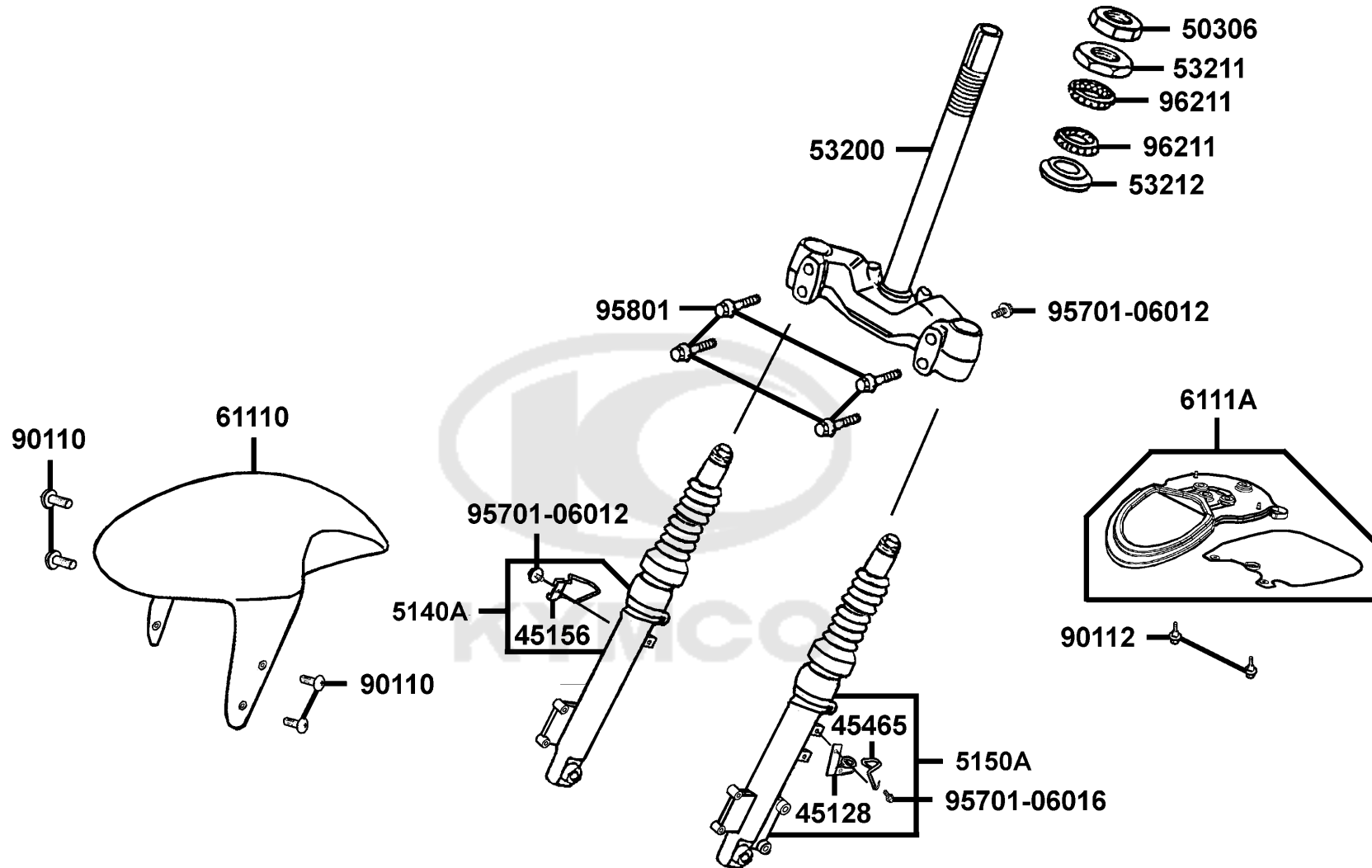
Sales mark	Ref no	Part no	Description	Reg description	Regd no	F05
	33741	33741-GFY6-C30	REFLEX REFLECTOR	REFLEX REFLECTOR	2	
**	64301	64301-KACA-325	COVER SET FR	COVER SET FR	1	
**	64310	64310-KACA-900	FLOOR PANEL	FLOOR PANEL	1	
**	64320	64320-KACA-900	MAT FLOOR	MAT FLOOR	1	
**	64400	64400-KACA-900	COWL UNDER **(2)	COWL UNDER **(2)	1	
	75581	75581-6C73-001	SET SPG LOCK KEY	SET SPG LOCK KEY	1	
	77232	77232-GLW0-315-M2	LOCK SET FUEL LID	LOCK SET FUEL LID	1	
**	81131	81131-KACA-C00	LEG SHIELD	LEG SHIELD	1	
**	81132-GHAH	81132-GHAH-001	HOOK LUGGAGE	HOOK LUGGAGE	1	
**	81132-KKDK	81132-KKDK-900	LID LEG SHIELD	LID LEG SHIELD	1	
	81133	81133-KNBN-901	COVER INNER BOX	COVER INNER BOX	1	
	81135	81135-KGBG-900	STAY LUGGAGE HOOK	STAY LUGGAGE HOOK	1	
**	81141	81141-KACA-900	LID INNER BOX	LID INNER BOX	1	
	81142	81142-KACA-900	STAY INNER BOX LID	STAY INNER BOX LID	2	
	81146	81146-GGS7-001	SEAL INNER BOX	SEAL INNER BOX	1	
	90110	90110-GLW0-001	SCREW SPECIAL 6*14	SCREW SPECIAL 6*14	1	
	90301	90301-6D34-671	NUT FLANGE 6MM	NUT FLANGE 6MM	2	
	90474	90474-7D04-000	WASHER 6*17*23	WASHER 6*17*23	3	
	90677	90677-GAR1-004	NUT CLIP 5MM	NUT CLIP 5MM	2	
	93404-06012	93404-06012-06	BOLT WASHER 6*12 (G)	BOLT WASHER 6X12	1	

Sales mark	Ref no	Part no	Description	Reg description	Regd no	F05
	93404-06016	93404-06016-06	BOLT WASHER 6*16	BOLT WASHER 6*16	1	
	93404-06025	93404-06025-06	BOLT WASHER 6*25	BOLT WASHER 6*25	4	
	93903-34360	93903-34360	SCREW TAPPING 4X12	SCREW TAPPING 4X12	13	
	93903-GFY6	93903-GFY6-900	SCREW TAPPING 4*14	SCREW TAPPING 4*14	2	
	94021	94021-06020-0S	NUT HEX CAP 6MM	NUT HEX CAP 6MM	3	
	94591	94591-27000	CLIP 2*70	CLIP 2*70	1	



F06

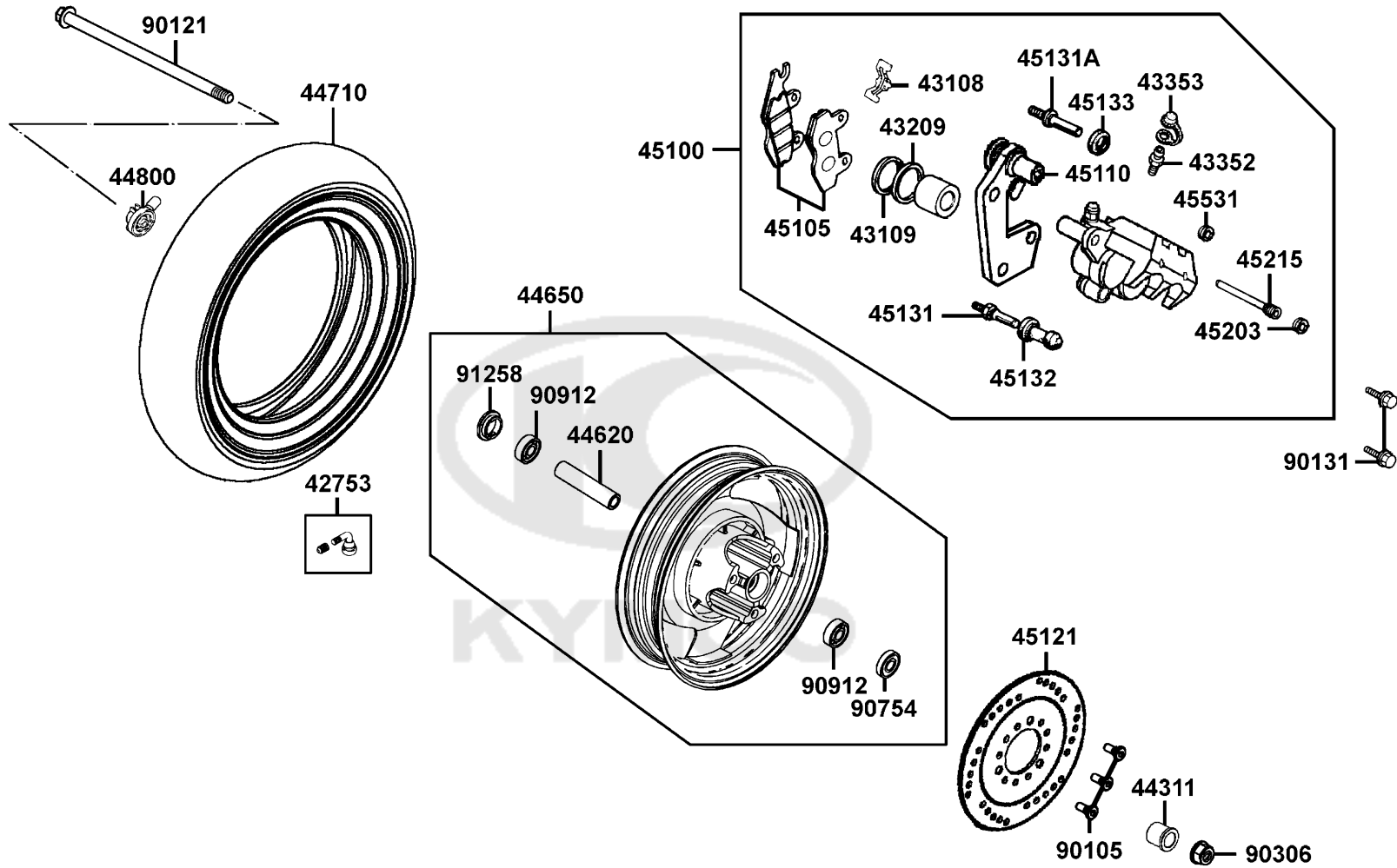
Front Cushion



Sales mark	Ref no	Part no	Description	Reg description	Regd no	F06
	45128	45128-KEB7-900	CLAMPER FR BRAKE HOSE	CLAMPER FR BRAKE HOSE	1	
	45156	45156-KDLD-901	CLAMPER FR BRAKE HOSE	CLAMPER FR BRAKE HOSE	1	
	45465	45465-KEB7-E00	GUIDE HOSE BRAKE FR	GUIDE HOSE BRAKE FR	1	
	50306	50306-KCAC-900	NUT STRG STEM LOCK	NUT STRG STEM LOCK	1	
**	5140A	5140A-KXCX-E00	FORK SET R FR	FORK SET R FR	1	
**	5150A	5150A-KXCX-E00	FORK SET L FR	FORK SET L FR	1	
	53200	53200-LLG7-900	STEM COMP STRG	STEM COMP STRG	1	
	53211	53211-GFY6-940	RACE STRG TOP CONE	RACE STRG TOP CONE	1	
	53212	53212-GHC8-004	RACE (STRG BOTTOM) CONE	RACE (STRG BOTTOM) CONE	1	
**	61110	61110-KEB7-E00	FENDER FR INNER	FENDER FR INNER	1	
	6111A	6111A-LLG7-900	FENDER ASSY FR INNER	FENDER ASSY FR INNER	1	
	90110	90110-KEB7-900	SCREW SPECIAL 6*14	SCREW SPECIAL 6*14	4	
	90112	90112-GCC3-001	BOLT SPECIAL 5MM	BOLT SPECIAL 5MM	2	
	95701-06012	95701-06012-06	BOLT FLANGE 6*12 **07 C.2005.07.01	BOLT FLANGE 6X12	1	
	95701-06016	95701-06016-06	BOLT FLANGE 6*16 (K)	BOLT FLANGE 6X16	1	
	95801	95801-08040-06	BOLT FLANGE 8*40	BOLT FLANGE 8*40	1	
	96211	96211-05000	BALL STEEL #5	BALL STEEL #5	55	

F07

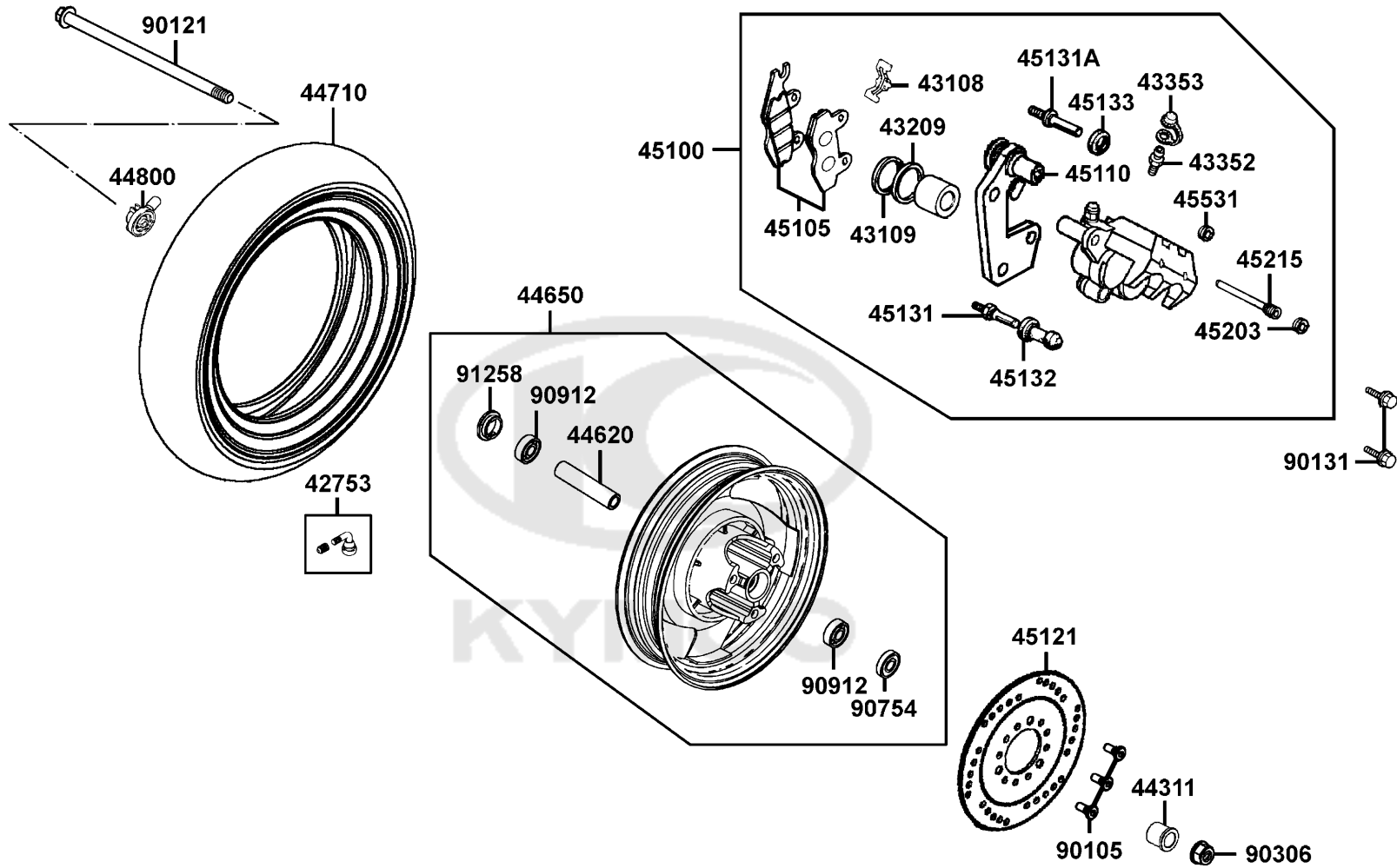
Front Wheel



Sales mark	Ref no	Part no	Description	Reg description	Regd no	F07
	42753	42753-0D04-900	RIM VALVE (PVR 70)	RIM VALVE (PVR 70)	1	
	43108	43108-KFS6-07A	SPRING PAD	SPRING PAD	1	
	43109	43109-MCA3-007	DUST SEAL	DUST SEAL	1	
	43209	43209-MCA3-007	SEAL PISTON	SEAL PISTON	1	
	43352	43352-5H68-004	SCREW BLEEDER	SCREW BLEEDER	1	
	43353	43353-4A61-77A	CAP BLEEDER	CAP BLEEDER	1	
	44311	44311-GLW0-911	COLLAR FR WHEEL SIDE	COLLAR FR WHEEL SIDE	1	
	44620	44620-KEB7-E00	COLLAR FR DIST	COLLAR FR DIST	1	
**	44650	44650-KEB7-315	WHEEL SET FR	WHEEL SET FR	1	
	44710	44710-KFA5-90B	TIRE ASSY FR/110/70-12 56J /CHENG	TIRE ASSY FR/110/70-12 56J /CHENG SHIN	1	
	44800	44800-KXCX-E00	GEAR BOX ASSY SPDMT	GEAR BOX ASSY SPDMT	1	
**	45100	45100-KXCX-E00	CALIPER ASSY FR L	CALIPER ASSY FR L	1	
	45105	45105-KXCX-305-M2	PAD ASSY	PAD ASSY	1	
	45110	45110-KXCX-E00	BRACKET COMP FR CALIPER	BRACKET COMP FR CALIPER	1	
	45121	45121-KECE-900	DISK FR BRK	DISK FR BRK	1	
	45131	45131-1F66-017	PIN BOLT	PIN BOLT	1	
	45131A	45131-HEA5-67A	PIN BOLT A	PIN BOLT A	1	
	45132	45132-1F66-017	BUSH BOOT PIN	BUSH BOOT PIN	1	
	45133	45133-MCA3-007	BOOT B	BOOT B	1	
	45203	45203-MCG3-007	PLUG PIN	PLUG PIN	1	

F07

Front Wheel

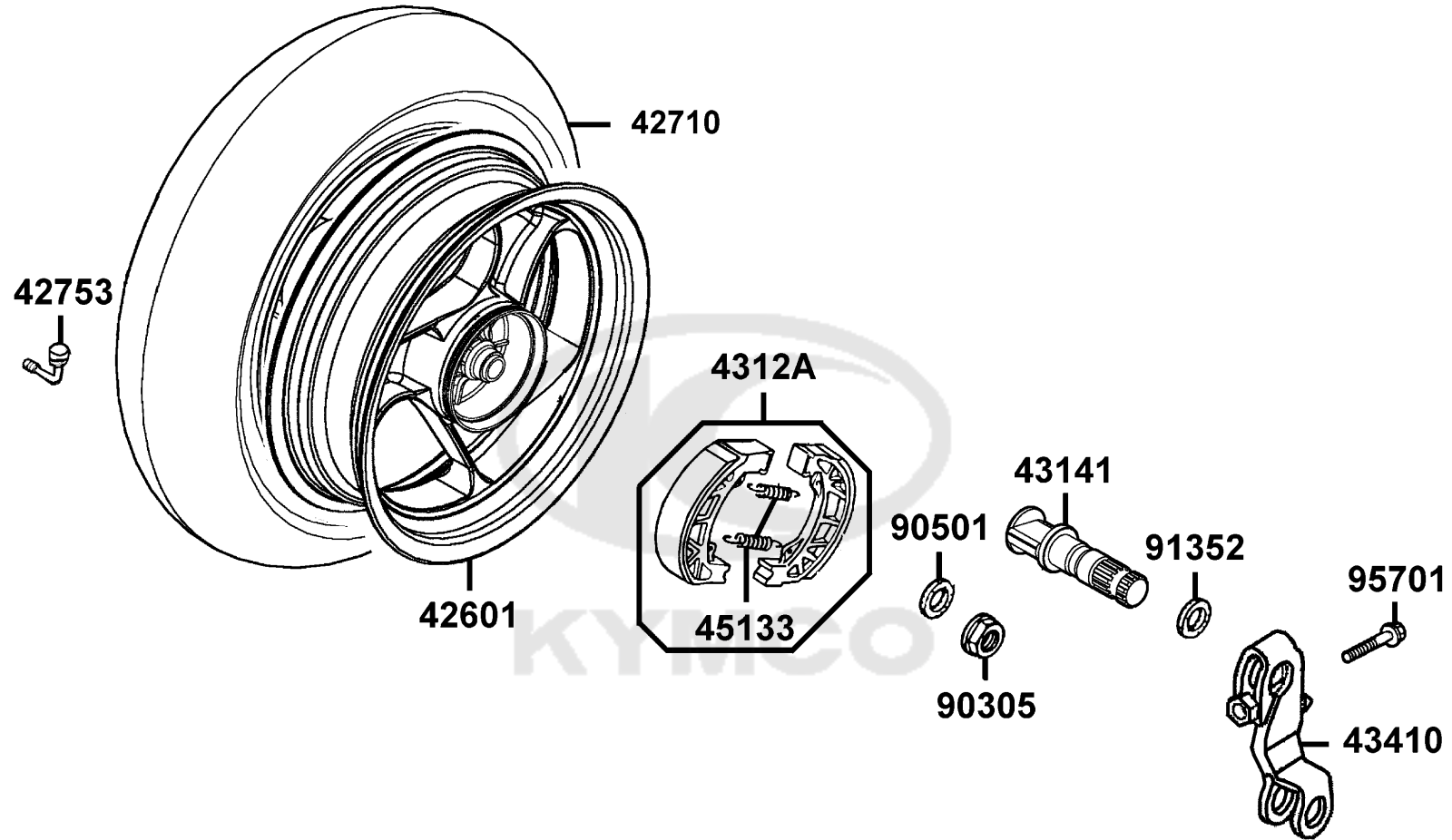


Sales mark	Ref no	Part no	Description	Reg description	Regd no	F07
45215		45215-KCA3-73A	PIN HANGER	PIN HANGER	1	
45531		45531-GAR1-951	PLUG	PLUG	1	
90105		90105-KCR3-001	BOLT FR DISK 8*24	BOLT FR DISK 8*24	3	
90121		90121-KBE2-981	BOLT RR FORK PIVOT M12*255MM	BOLT RR FORK PIVOT M12*255MM	1	
90131		90131-GLW0-911	BOLT FLANGE 8*35	BOLT FLANGE 8*35	2	
90306		90306-GLW0-90A	NUT FLANGE 12MM	NUT FLANGE 12MM	1	
90754		90754-GHC8-00A	SEAL DUST 20*32*5	SEAL DUST 20*32*5	1	
90912		90912-GHC8-00A	BEARING 6201 (U)	BEARING 6201 (U)	2	
90912		90912-GHC8-00D	BEARING	BEARING	2	
91258		91258-KAM1-00A	SEAL SPDMT GEAR BOX	SEAL SPDMT GEAR BOX	1	

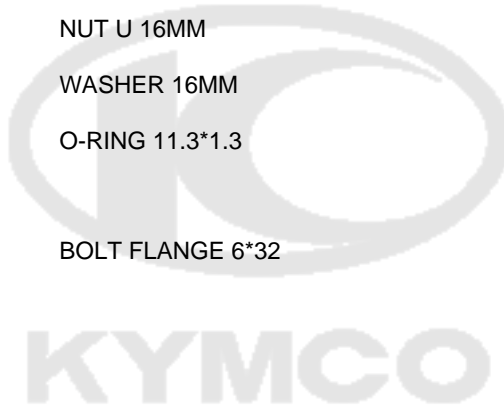


F08

Rear Wheel

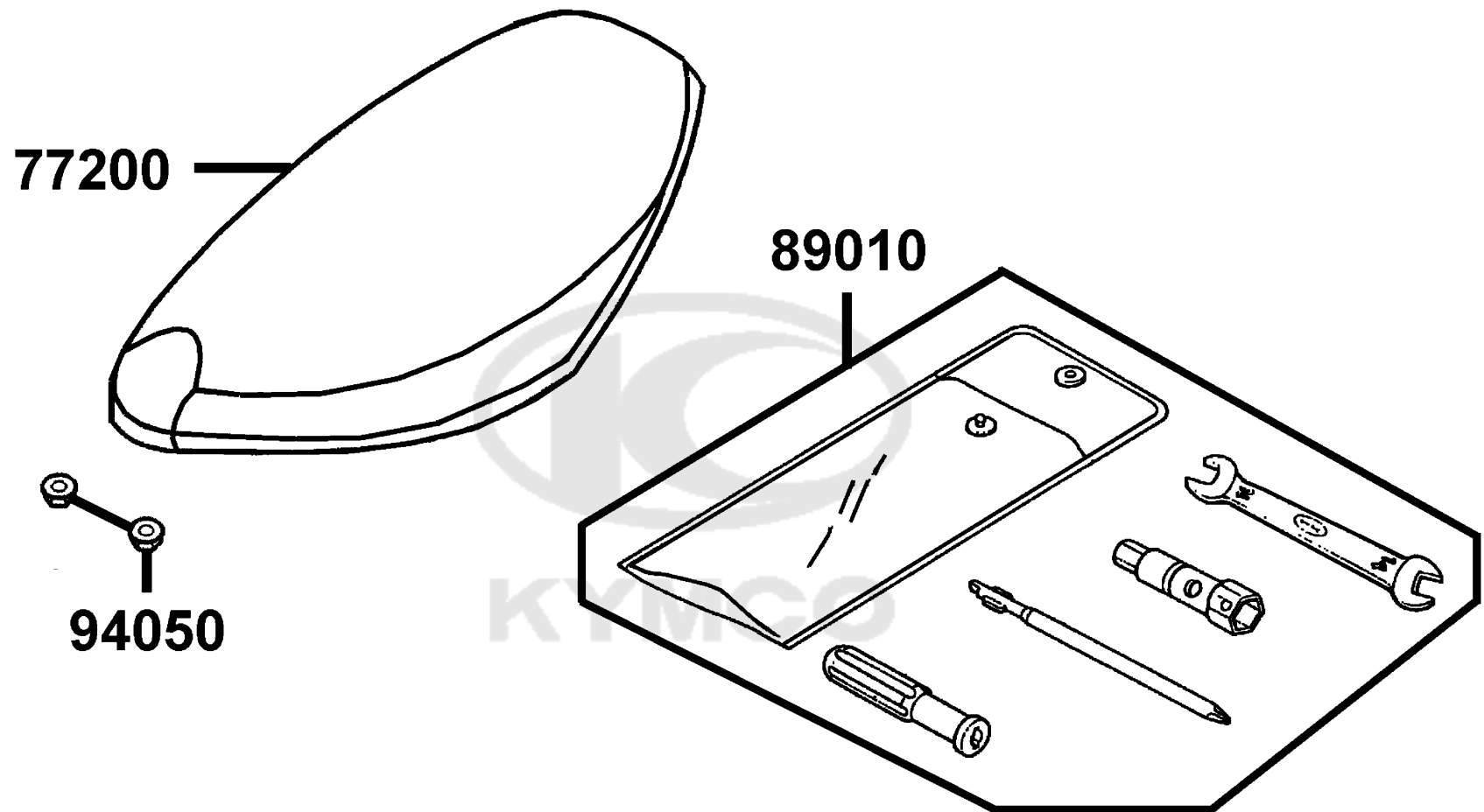


Sales mark	Ref no	Part no	Description	Reg description	Regd no	F08
**	42601	42601-KEB7-E0E	WHEEL CAST RR	WHEEL COMP RR CAST	1	
	42710	42710-KXCX-E1B	TIRE ASSY 120/70-12 56J /CHENG SHIN	TIRE ASSY 120/70-12 56J /CHENG SHIN	1	
	42753	42753-KNBN-90B	VALAE RIM (TR412)	VALAE RIM (TR412)	1	
	4312A	4312A-KXCX-900	SHOE ASSY RR BRK	SHOE ASSY RR BRK	2	
	43141	43141-GKAK-901	CAM RR BRAKE	CAM RR BRAKE	1	
	43410	43410-KFA1-900	ARM COMP RR BRAKE	ARM COMP RR BRAKE	1	
	45133	45133-0H28-001	SPRING BRAKE SHOE	SPRING BRAKE SHOE	2	
	90305	90305-KNBN-90B	NUT U 16MM	NUT U 16MM	1	
	90501	90501-KNBN-901	WASHER 16MM	WASHER 16MM	1	
	91352	91352-KHG8-83B	O-RING 11.3*1.3	O-RING 11.3*1.3	1	
	95701	95701-06032-06	BOLT FLANGE 6*32	BOLT FLANGE 6*32	1	



F09

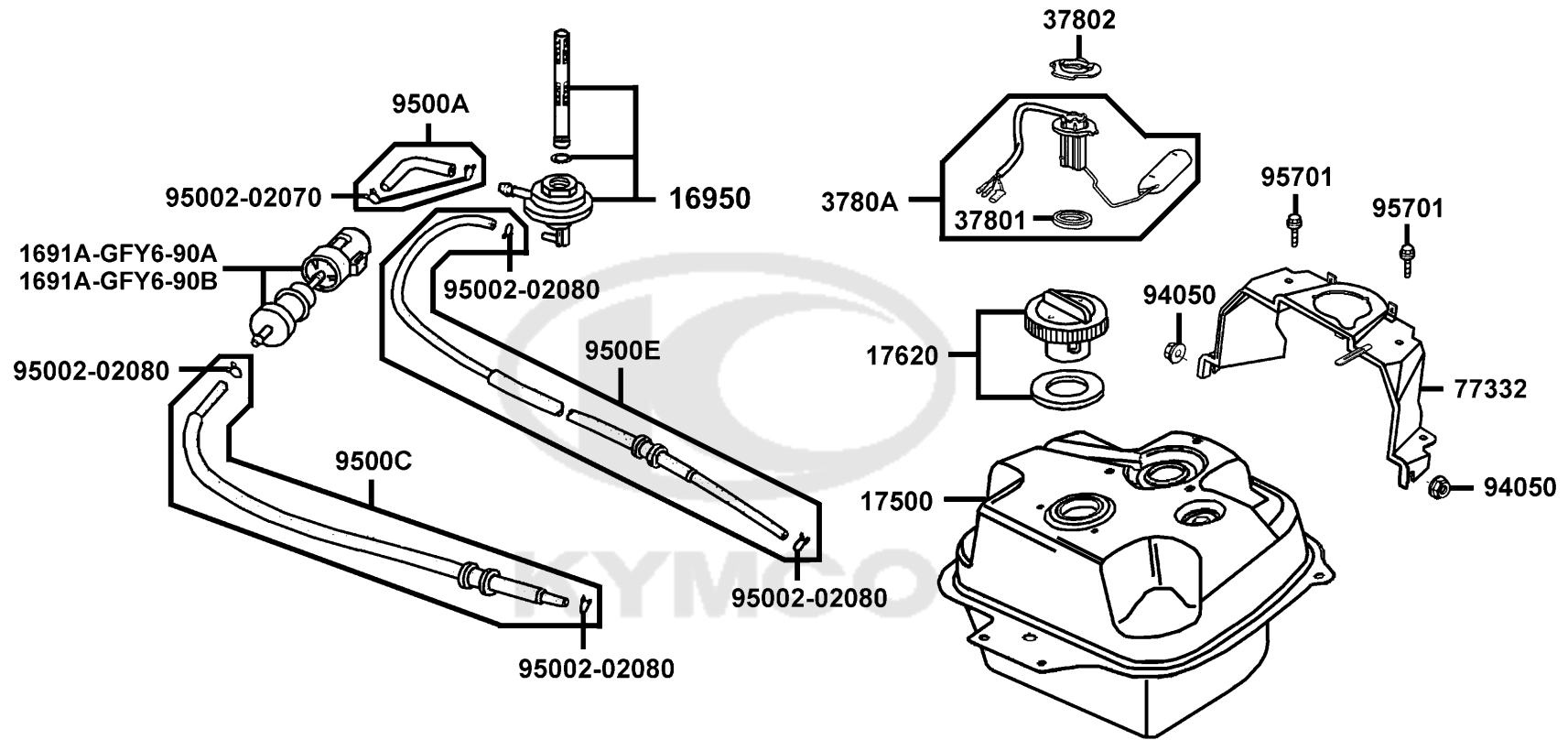
Seat



Sales mark	Ref no	Part no	Description	Reg description	Regd no	F09
------------	--------	---------	-------------	-----------------	---------	------------

**	77200	77200-KXCX-E00	SEAT ASSY/OLD(016-OBC) **T02 C.P.N.	SEAT ASSY/OLD(016-OBC) **T02 C.P.N.	1	
	89010	89010-GGS7-C00	TOOL SET	TOOL SET	1	
	94050	94050-06080	NUT FLANGE 6MM	NUT FLANGE 6MM	2	

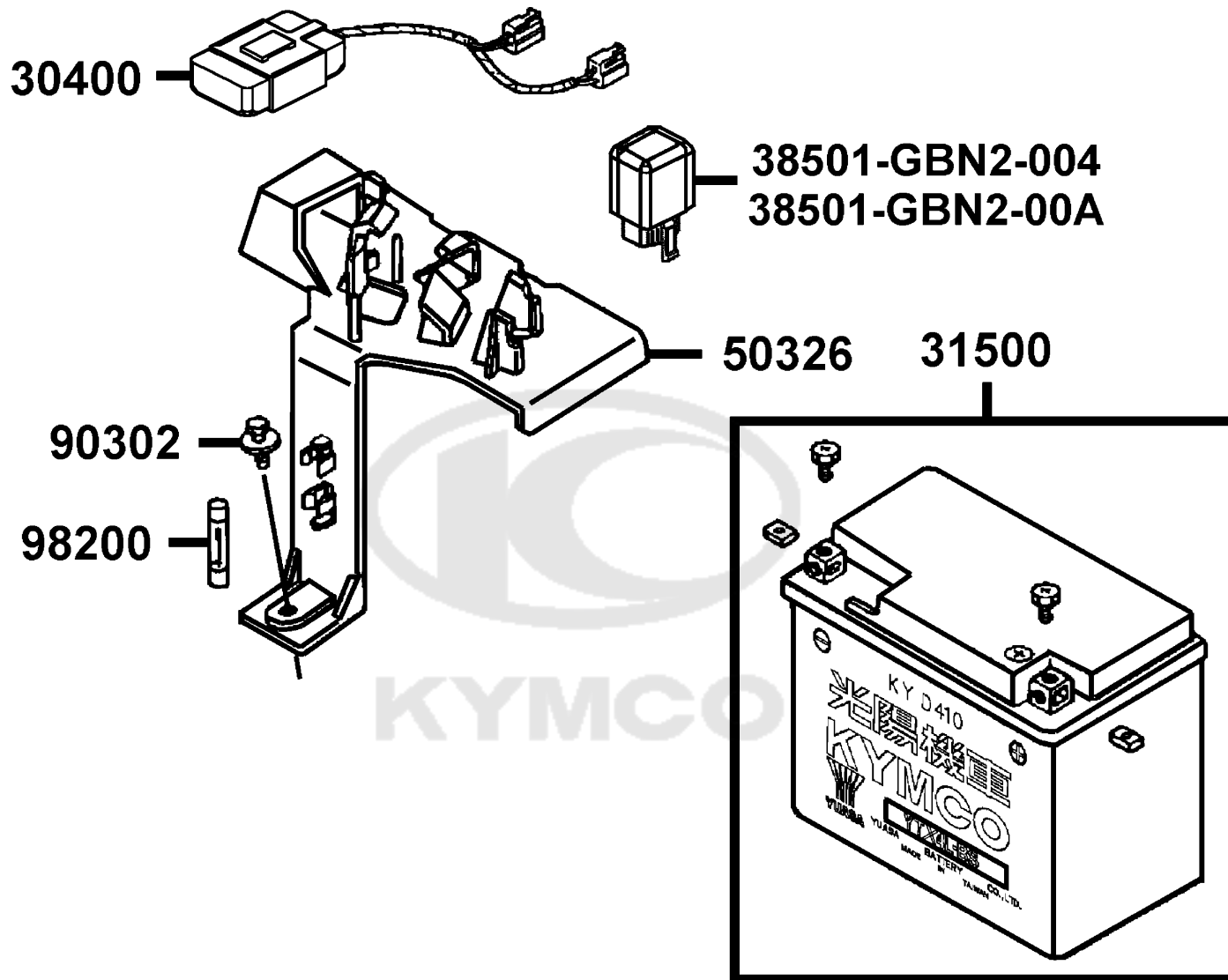





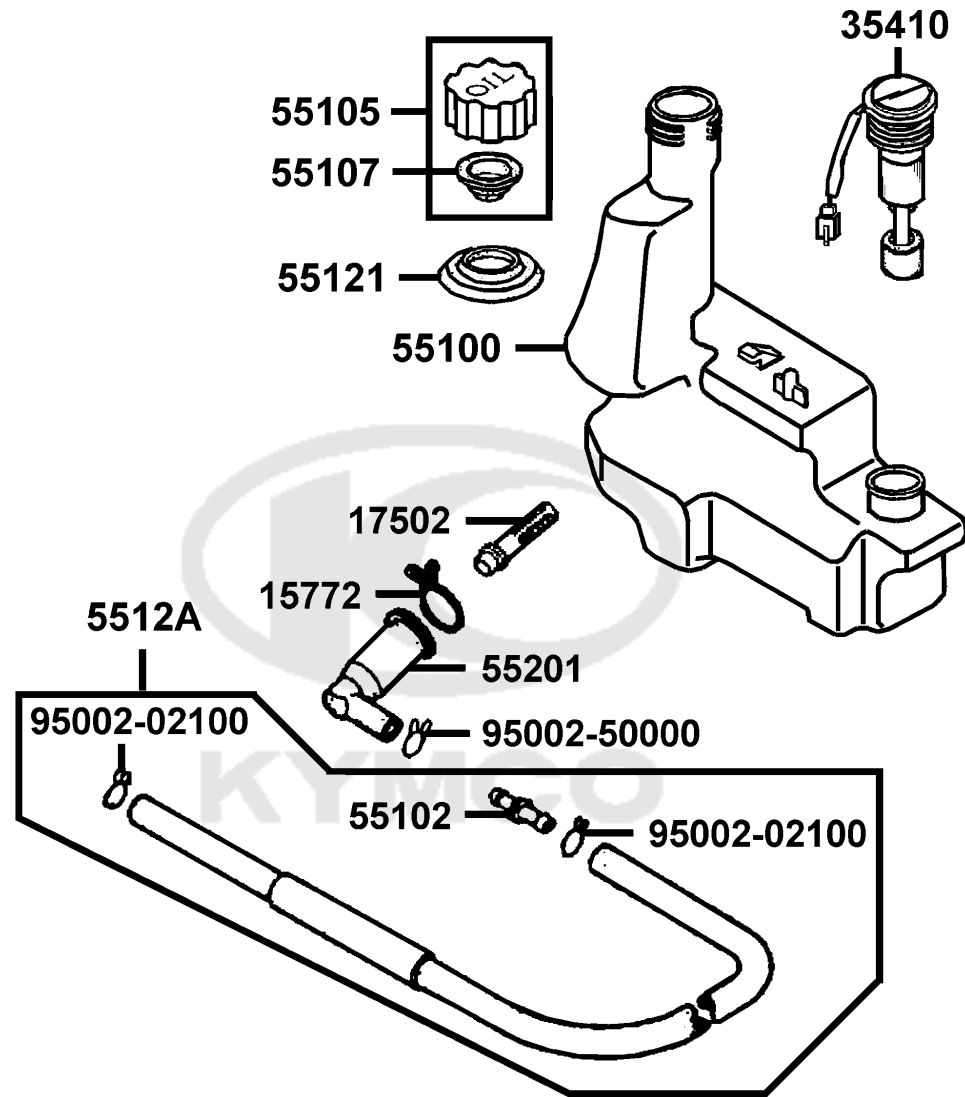
Sales mark	Ref no	Part no	Description	Reg description	Regd no	F10
	1691A-GFY6-90A	1691A-GFY6-90A	STRAINER ASSY FUEL	STRAINER ASSY FUEL	1	
	1691A-GFY6-90B	1691A-GFY6-90B	STRAINER ASSY FUEL	STRAINER ASSY FUEL	1	
	16950	16950-KKJ9-75A	AUTO COCK ASSY FUEL	AUTO COCK ASSY FUEL	1	
	17500	17500-KXCX-E10	TANK COMP FUEL	TANK COMP FUEL	1	
	17620	17620-GGS7-E10	CAP COMP FUEL FILLER	CAP COMP FUEL FILLER	1	
	37801	37801-GGA7-701	PACKING BASE	PACKING BASE	1	
	37802	37802-GGA7-701	RET FUEL UNIT	RET FUEL UNIT	1	
	3780A	3780A-KXCX-900	FUEL ASSY UNIT	FUEL ASSY UNIT	1	
	77332	77332-KPCP-E00	STAY RR GRIP	STAY RR GRIP	1	
	94050	94050-06080	NUT FLANGE 6MM	NUT FLANGE 6MM	2	
	95002-02070	95002-02070	CLIP B7 TUBE	CLIP B7 TUBE	2	
	95002-02080	95002-02080	CLIP B8 TUBE	CLIP B8 TUBE	4	
	9500A	9500A-35435-40	TUBE ASSY FUEL 3.5*435	TUBE ASSY FUEL 3.5*435	1	
	9500C	9500C-GGS7-001	TUBE ASSY FUEL	TUBE ASSY FUEL	1	
	9500E	9500E-GGS7-001	TUBE ASSY FUEL	TUBE ASSY FUEL	1	
	95701	95701-06012-06	BOLT FLANGE 6*12 **07 C.2005.07.01	BOLT FLANGE 6X12	1	

F11

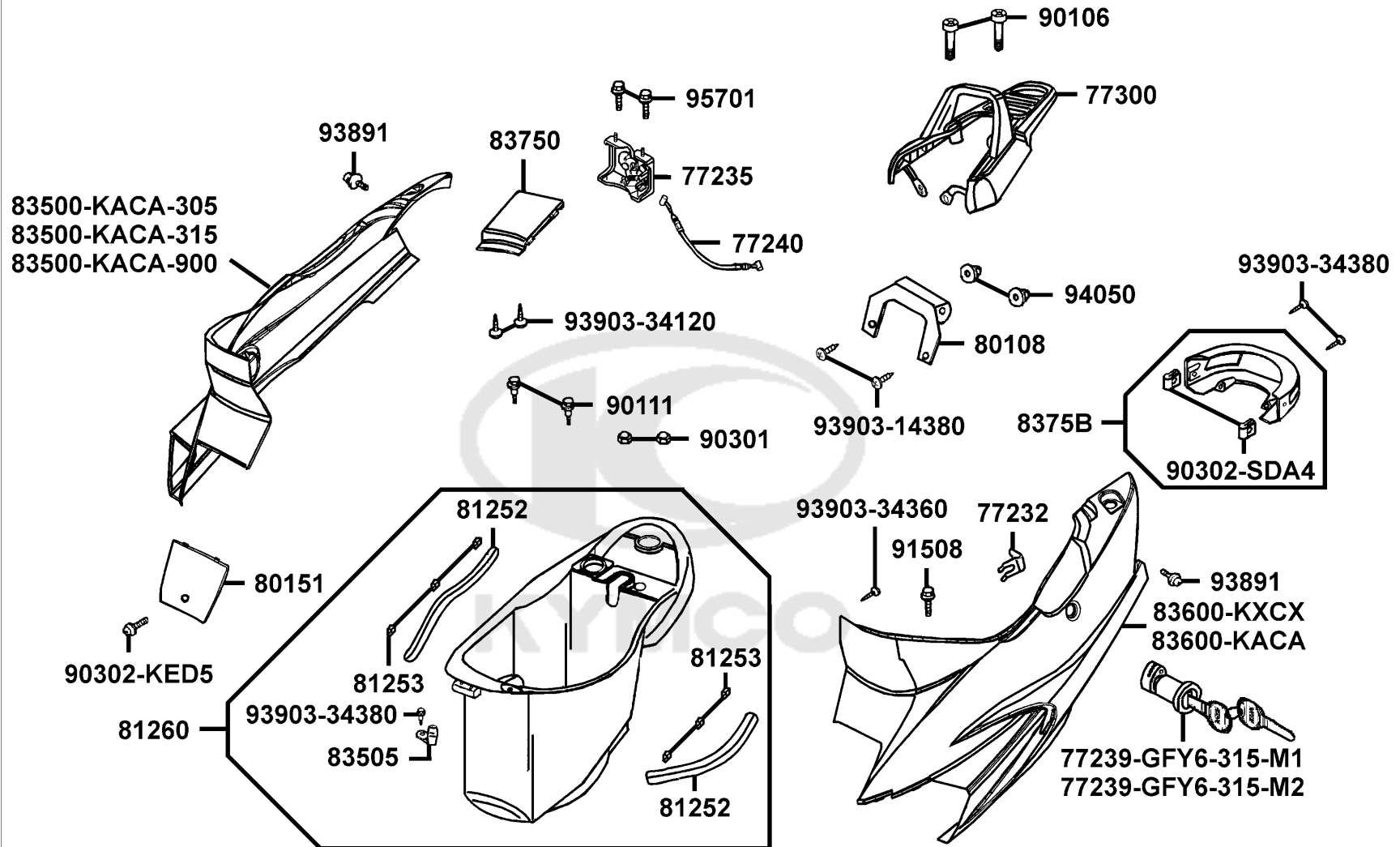
Battery



Sales mark	Ref no	Part no	Description	Reg description	Regd no	F11
	30400	30400-KXCX-E01	CDI & SPEED CONTROL	CDI & SPEED CONTROL	1	
	31500	31500-KCAC-90A	BATTERY YTX4L-BS	BATTERY YTX4L-BS	1	
	38501-GBN2-004	38501-GBN2-004	RELAY COMP START (Mark:D421)	RELAY COMP START (Mark:D421)	1	
	38501-GBN2-00A	38501-GBN2-00A	RELAY COMP START (Mark:SEEC)	RELAY COMP START (Mark:SEEC)	1	
	50326	50326-GGS7-001	HOLDER BATTERY	HOLDER BATTERY	1	
	90302	90302-GFY6-940	BOLT-WASH 5*16	BOLT-WASH 5*16	1	
	98200	98200-10700	FUSE A7	FUSE 7A	1	
						



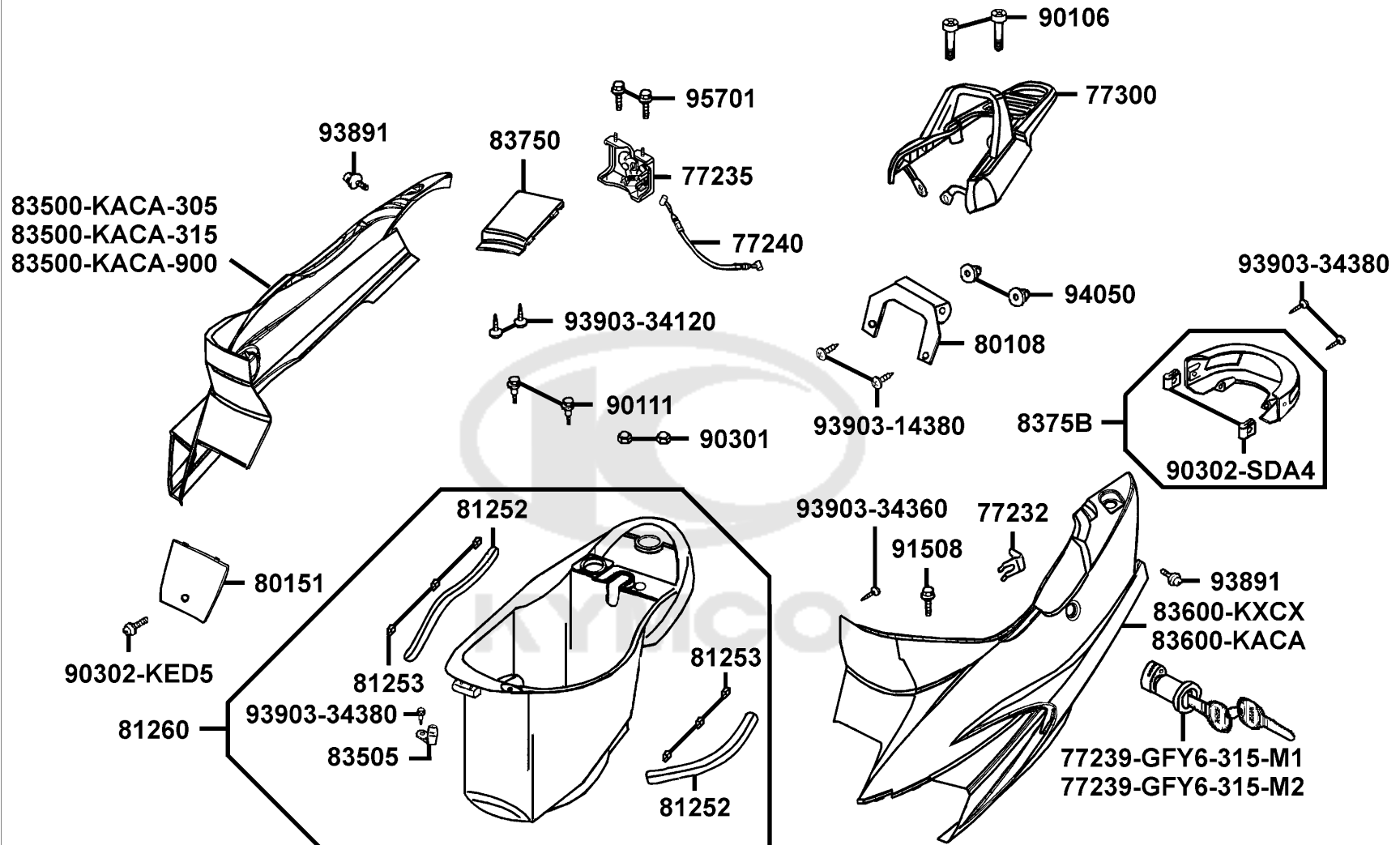
Sales mark	Ref no	Part no	Description	Reg description	Regd no	F12
15772		15772-5A51-001	CLIP BREATHER TUBE	CLIP BREATHER TUBE	1	
17502		17502-1G87-001	OIL STRAINER	OIL STRAINER	1	
35410		35410-GAR1-900	SW COMP OIL LEVEL	SW COMP OIL LEVEL	1	
55100		55100-KTCT-900	TANK OIL	TANK OIL	1	
55102		55102-1F66-001	JOINT OIL TUBE	JOINT OIL TUBE	1	
55105		55105-GHK8-001	CAP ASSY OIL	CAP ASSY OIL	1	
55107		55107-GHK8-001	PACKING OIL CAP	PACKING OIL CAP	1	
55121		55121-GGS7-901	RUBBER OIL GUIDE	RUBBER OIL GUIDE	1	
5512A		5512A-GGS7-901	TUBE ASSY OIL	TUBE ASSY OIL	1	
55201		55201-1G87-001	JOINT OIL STRN	JOINT OIL STRN	1	
95002-02100		95002-02100	CLIP B15 TUBE	CLIP B15 TUBE	2	
95002-50000		95002-50000	CLIP C9 TUBE	CLIP C9 TUBE	1	



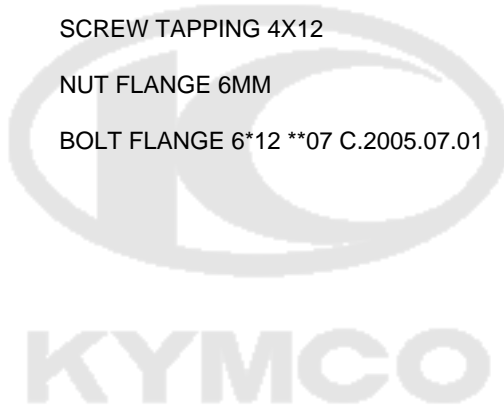
Sales mark	Ref no	Part no	Description	Reg description	Regd no	F13
	77232	77232-KCAC-901	SET SPG SEAT LOCK	SET SPG SEAT LOCK	1	
	77235	77235-GGS7-901	SEAT CATCH COMP	SEAT CATCH COMP	1	
	77239-GFY6-315-M1	77239-GFY6-315-M1	KEY SEAT COMP	KEY SEAT COMP	1	
	77239-GFY6-315-M2	77239-GFY6-315-M2	KEY SEAT COMP	KEY SEAT COMP	1	
	77240	77240-GGS7-001	CABLE SEAT LOCK	CABLE SEAT LOCK	1	
**	77300	77300-KXCX-900	CARRIER ASSY LUGGAGE	CARRIER ASSY LUGGAGE	1	
	80108	80108-KCAC-900	STAY RR CENTER MOLD	STAY RR CENTER MOLD	1	
**	80151	80151-KCAC-900	COVER BATTERY	COVER BATTERY	1	
	81252	81252-GGS7-001	SEAL LUGGAGE BOX	SEAL LUGGAGE BOX	2	
	81253	81253-GGS7-001	CLIP SEAL RUBBER	CLIP SEAL RUBBER	6	
**	81260	81260-KXCX-E00	BOX COMP LUGGAGE	BOX COMP LUGGAGE	1	
**	83500-KACA-305	83500-KACA-305	COVER SET R BODY	COVER SET R BODY	1	
**	83500-KCAC-900	83500-KCAC-900	COVER R BODY	COVER R BODY	1	
	83505	83505-KCAC-900	STAY BODY COVER (2ND)	STAY BODY COVER (2ND)	1	
**	83600-KACA	83600-KACA-305	COVER SET L BODY	COVER SET L BODY	1	
**	83600-KXCX	83600-KXCX-900	COVER L BODY **KCX C.2005.10.01	COVER L BODY **KCX C.2005.10.01	1	
**	83750	83750-KXCX-900	COVER RR CENTER **KCX C.2005.10.01	COVER RR CENTER **KCX C.2005.10.01	1	
**	8375B	8375B-KCAC-901	MOLD ASSY RR CENTER	MOLD ASSY RR CENTER	1	
	90106	90106-KFAF-900	BOLT SPECIAL	BOLT SPECIAL	2	
	90111	90111-KKD7-900	BOLT FLANGE 6MM	BOLT FLANGE 6MM	1	

F13

Body Cover Luggage Box

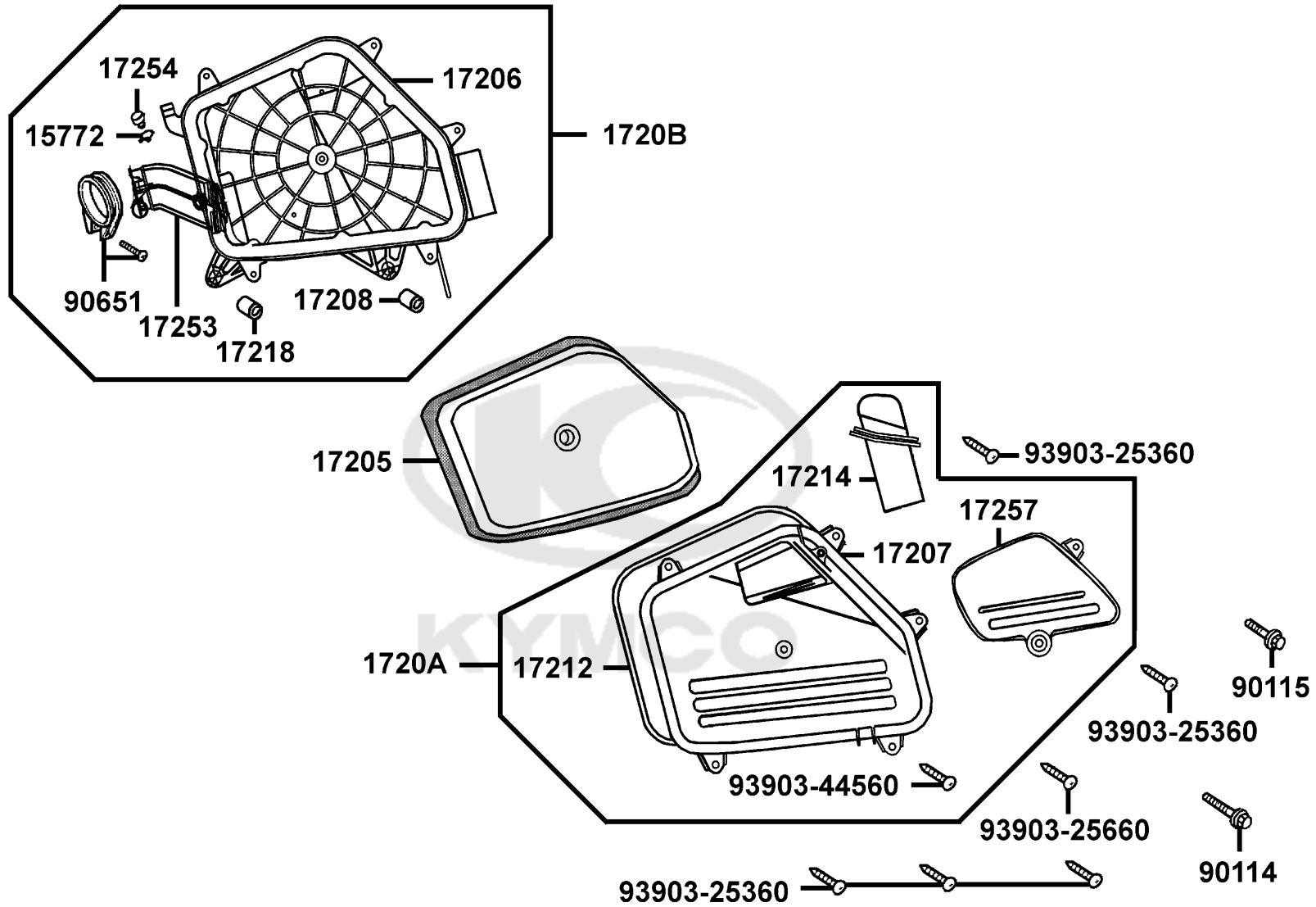


Sales mark	Ref no	Part no	Description	Reg description	Regd no	F13
90301		90301-6D34-671	NUT FLANGE 6MM	NUT FLANGE 6MM	2	
90302-KED5		90302-KED5-900	BOLT PAN 5*11	BOLT PAN 5*11	1	
90302-SDA4		90302-SDA4-004	NUT SPRING 4MM	NUT SPRING 4MM	2	
91508		91508-KNBN-901	SCREW PAN 5*7	SCREW PAN 5*7	1	
93891		93891-05012-06	SCREW WASHER 5*12	SCREW WASHER 5*12	2	
93903-14360		93903-14360	SCREW TAPPING 4*12	SCREW TAPPING 4*12	2	
93903-34120		93903-34160	SCREW TAPPING 4X8	SCREW TAPPING 4X8	1	
93903-34360		93903-34360	SCREW TAPPING 4X12	SCREW TAPPING 4X12	4	
94050		94050-06080	NUT FLANGE 6MM	NUT FLANGE 6MM	2	
95701		95701-06012-06	BOLT FLANGE 6*12 **07 C.2005.07.01	BOLT FLANGE 6X12	1	

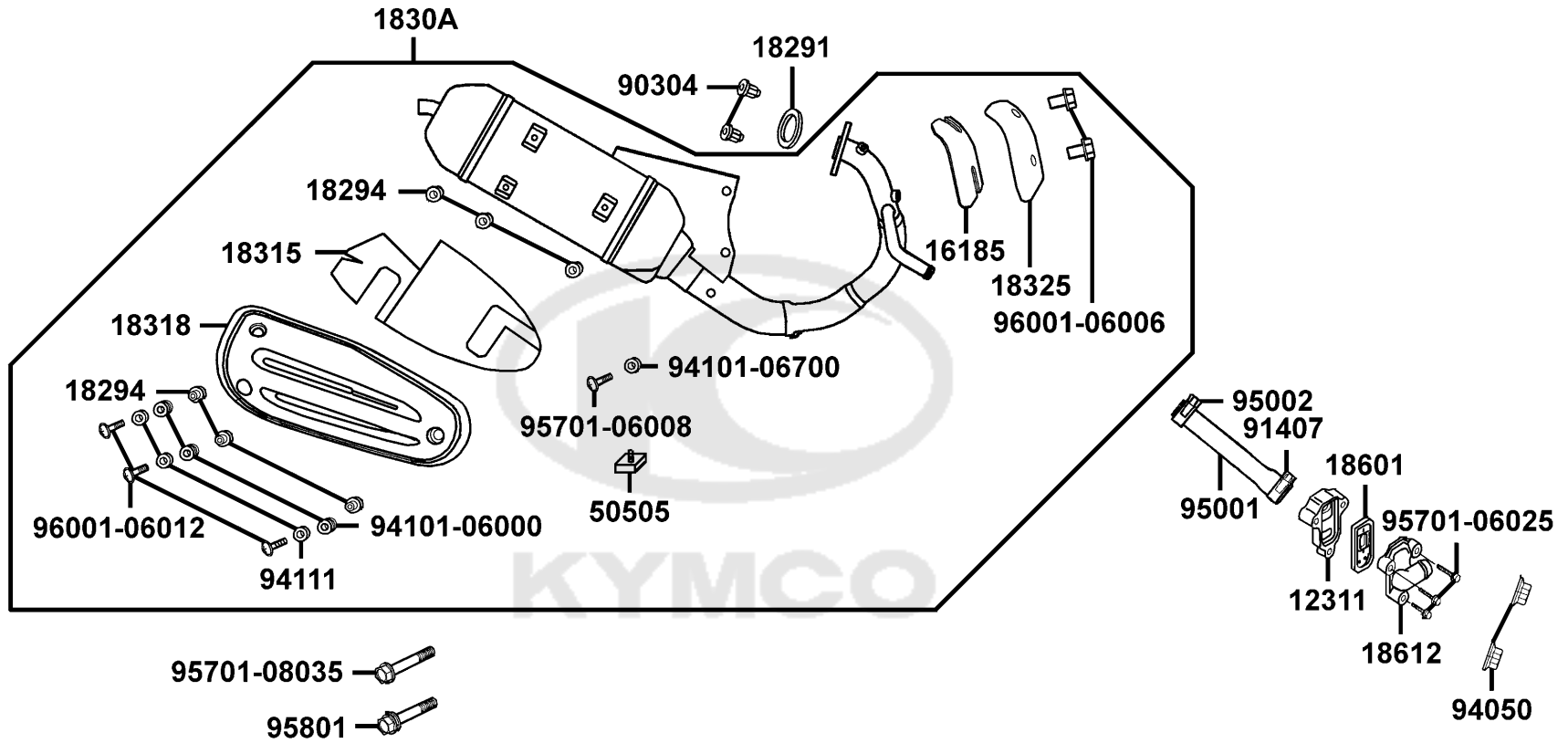


F14

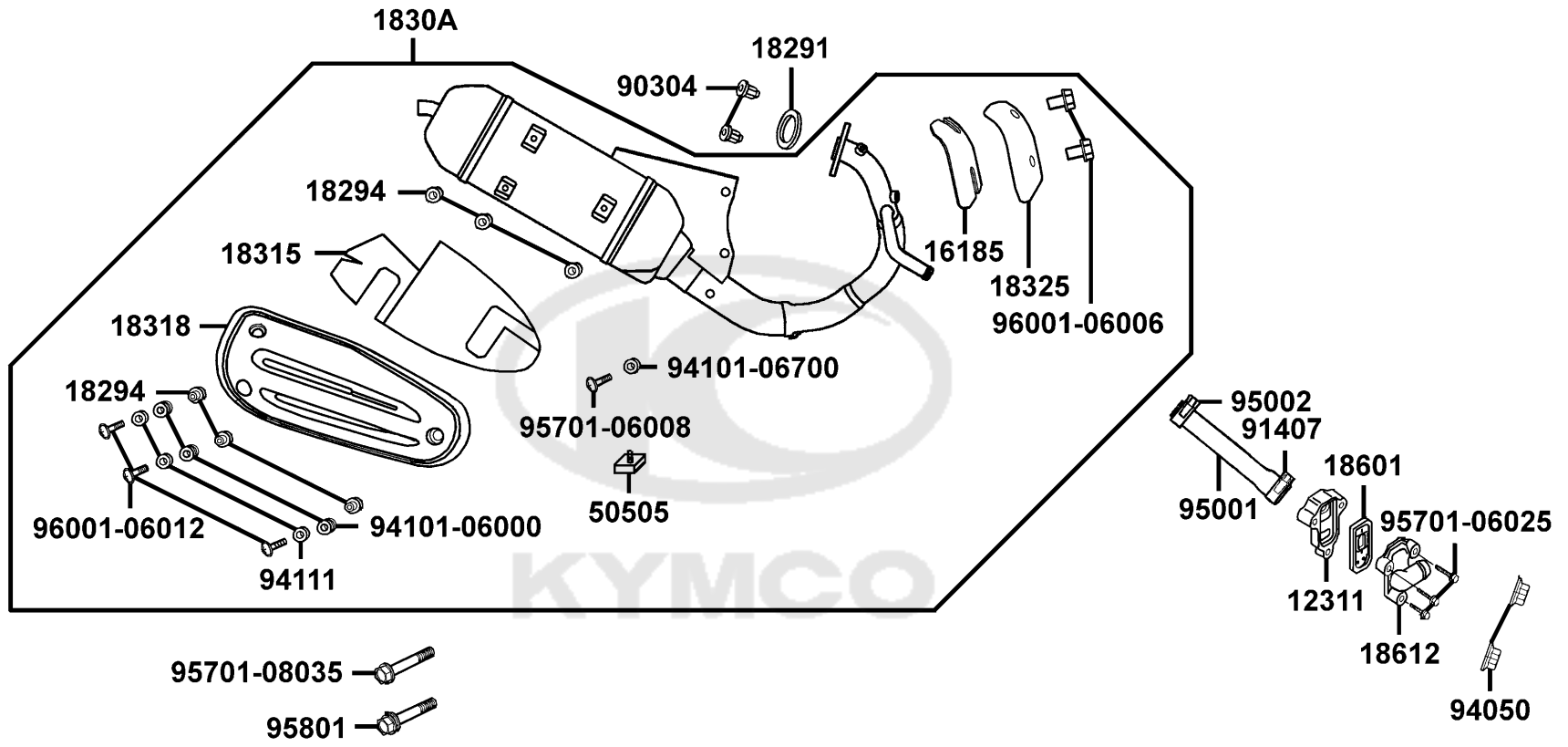
Air Cleaner



Sales mark	Ref no	Part no	Description	Reg description	Regd no	F14
15772		15772-5L00-013	CLIP B14.5 TUBE	CLIP B14.5 TUBE	1	
17205		17205-GAR1-751	ELMT A AIR/C	ELMT A AIR/C	1	
17206		17206-GAR1-931	CASE AIR/C	CASE AIR/C	1	
17207		17207-GAR1-930	COVER AIR/C CASE	COVER AIR/C CASE	1	
17208		17208-KXCX-900	COLLAR AIR/C SET	COLLAR AIR/C SET	1	
1720A		1720A-KXCX-900	COVER ASSY AIR/C	COVER ASSY AIR/C	1	
1720B		1720B-KXCX-E00	CASE ASSY AIR/C	CASE ASSY AIR/C	1	
17212		17212-GAR1-751	SEAL AIR/C COVER	SEAL AIR/C COVER	1	
17214		17214-GAR1-711	DUCT AIR/C	DUCT AIR/C	1	
17218		17218-KXCX-900	COLLAR AIR/C SET	COLLAR AIR/C SET	1	
17253		17253-KXCX-E00	TUBE AIR/C CONN	TUBE AIR/C CONN	1	
17254		17254-KACA-P00	PLUG AIR/C CONN TUBE	PLUG AIR/C CONN TUBE	1	
17257		17257-KXCX-900	DUCT AIR/C COVER	DUCT AIR/C COVER	1	
90114		90114-KXCX-900	BOLT FLANGE SH 5*20	BOLT FLANGE SH 6X42	1	
90115		90115-LKB9-900	BOLT FLANGE SH 6*32	BOLT FLANGE SH 6*32	1	
90651		90651-GBHB-601	BAND 34 AIR/C CONN TUBE	BAND 34 AIR/C CONN TUBE	1	
93903-25360		93903-25360	SCREW TAPPING 5*16	SCREW TAPPING 5*16	5	
93903-25660		93903-25660	SCREW TAPPING 5*30	SCREW TAPPING 5*30	1	
93903-44560		93903-44560	SCREW TAPPING 4*20	SCREW TAPPING 4*20	1	



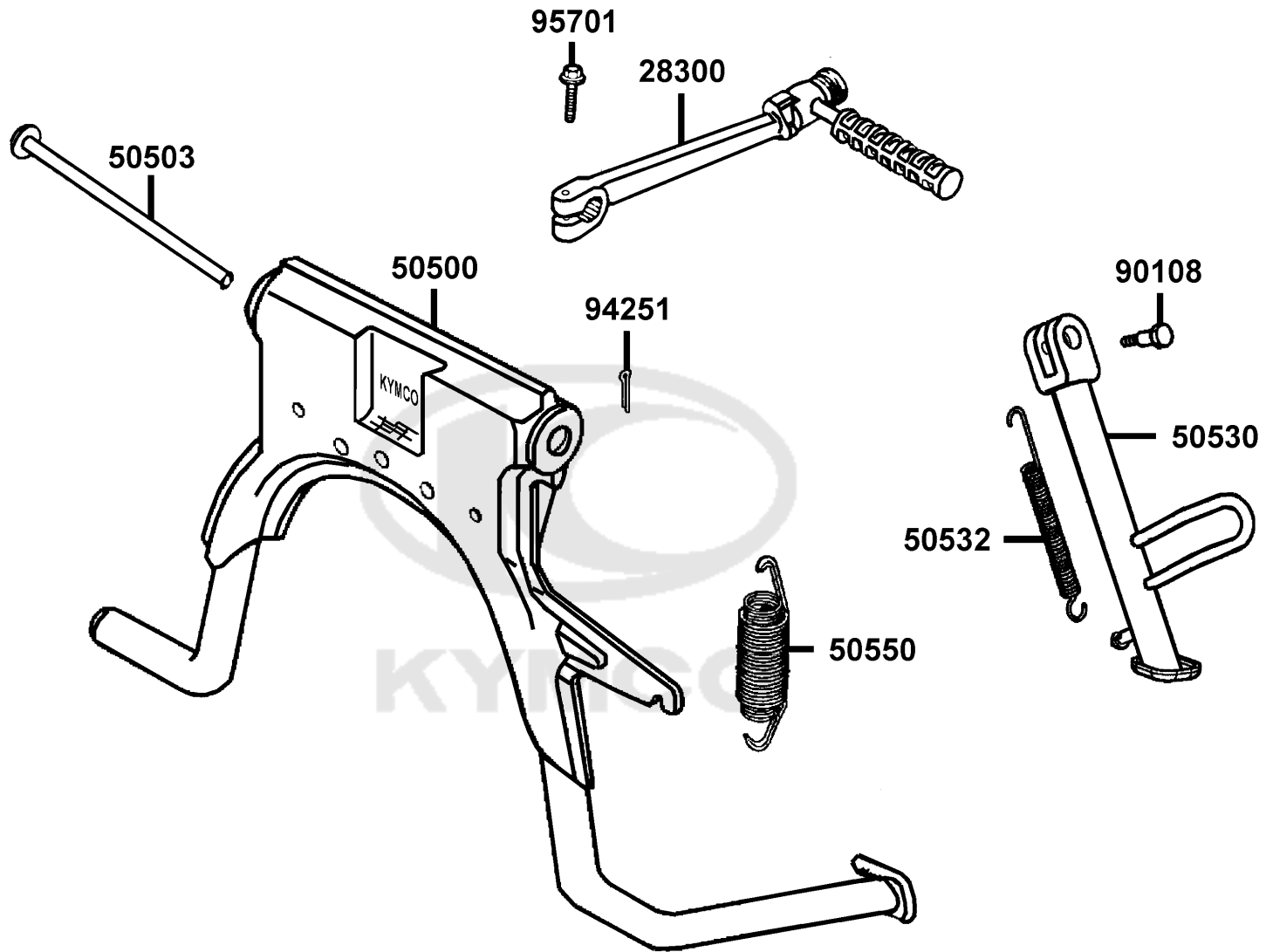
Sales mark	Ref no	Part no	Description	Reg description	Regd no	F15
	12311	12311-KTCT-500	BODY REED VALVE	BODY REED VALVE	1	
	16185	16185-KTCT-500	GLASS WOOL PROTECTOR	GLASS WOOL PROTECTOR	1	
	18291	18291-LEA5-E00	GASKET EXH PIPE	GASKET EXH PIPE	1	
	18294	18294-KTCT-900	PACKING PROTECTOR	PACKING PROTECTOR	6	
	1830A	1830A-KXCX-EZ0	MUFFLER ASSY EXH	MUFFLER ASSY EXH	1	
	18315	18315-KXCX-900	DAMPER PROTECTOR MUFFLER	DAMPER PROTECTOR MUFFLER	1	
	18318	18318-KXCX-900	PROTECTOR MUFFLER	PROTECTOR MUFFLER	1	
	18325	18325-KTCT-500	PROTECTOR EXH PIPE	PROTECTOR EXH PIPE	1	
	18601	18601-KFB5-900	VALVE COMP REED	REED VALVE COMP LDV 52X27X6.0	1	
	18612	18612-KFB5-900	COVER REED VALVE	COVER REED VALVE	1	
	50505	50505-KXCX-900	STOPPER RUBBER STAND	STOPPER RUBBER STAND	1	
	90304	90304-HCB3-77A	NUT SPECIAL 6MM	NUT SPECIAL 6MM	2	
	91407	91407-SGA7-004	CLAMP 17 FUSE HOSE	CLAMP 17 FUSE HOSE	1	
	94050	94050-06080	NUT FLANGE 6MM	NUT FLANGE 6MM	2	
	94101-06000	94101-06000	WASHER PLAIN 6MM	WASHER PLAIN 6MM	3	
	94101-06700	94101-06700	WASHER PLAIN 6MM	WASHER PLAIN 6MM	1	
	94111	94111-06800	WASHER SPRING 6MM	WASHER SPRING 6MM	3	
	95001	95001-KXCX-EZ0	TUBE REED VALVE	TUBE REED VALVE	1	
	95002	95002-KKD6-E05	CLAMP D18 TUBE	CLAMP D18 TUBE	1	
	95701-06008	95701-06008-06	BOLT FLANGE 6*8	BOLT FLANGE 6*8	1	



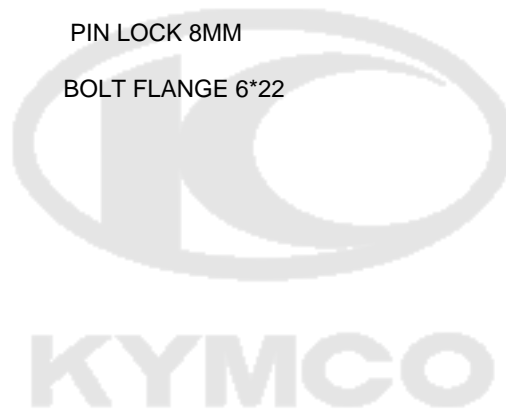
Sales mark	Ref no	Part no	Description	Reg description	Regd no	F15
------------	--------	---------	-------------	-----------------	---------	------------

	95701-06025	95701-06025-06	BOLT FLANGE 6*25	BOLT FLANGE 6*25	1	
	95701-08035	95701-08035-06	BOLT FLANGE 8*28	BOLT FLANGE 8*28	1	
	95801	95801-KFA6-E00	BOLT TORX M8X35 (G)	BOLT FLANGE 8*35	1	
	96001-06006	96001-06006-02	BOLT FLANGE SH 6*6	BOLT FLANGE SH 6*6	2	
	96001-06012	96001-06012-02	BOLT FLANGE SH 6*12	BOLT FLANGE SH 6*12	3	



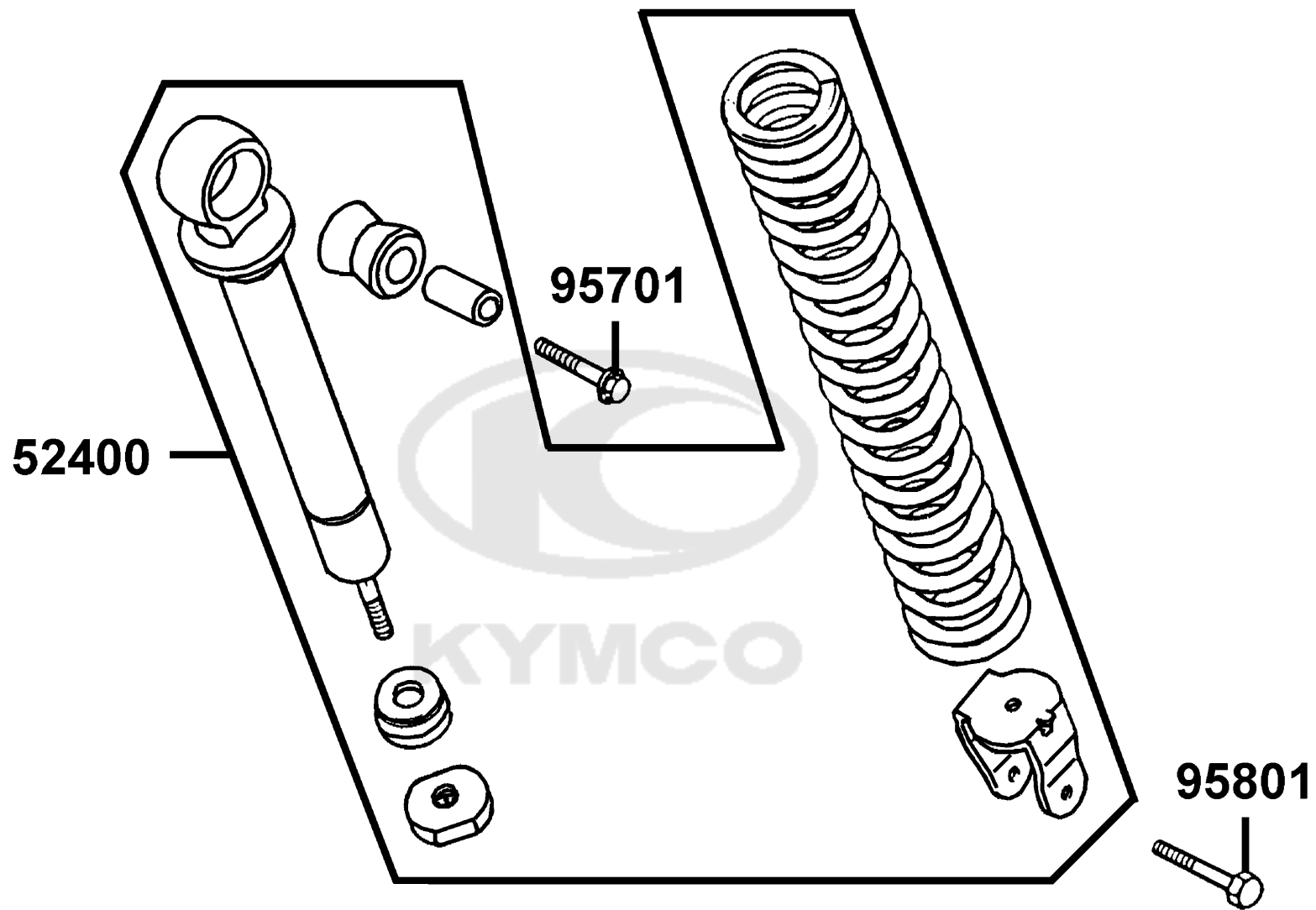


Sales mark	Ref no	Part no	Description	Reg description	Regd no	F16
28300		28300-GGS7-901	ARM ASSY KICK STARTER	ARM ASSY KICK STARTER	1	
50500		50500-KXCX-900	STAND COMP MAIN	STAND COMP MAIN	1	
50503		50503-GAR1-001	SHAFT MAIN STAND	SHAFT MAIN STAND	1	
50530		50530-KXCX-900	BAR COMP SIDE STAND	BAR COMP SIDE STAND	1	
50532		50532-KGN7-671	SPG SIDE STAND	SPG SIDE STAND	1	
50550		50550-KXCX-J00	SPG ASSY MAIN STAND	SPG ASSY MAIN STAND	1	
90108		90108-GFY6-901	SCREW SIDE STAND PIVOT	SCREW SIDE STAND PIVOT	1	
94251		94251-08400	PIN LOCK 8MM	PIN LOCK 8MM	1	
95701		95701-06022-06	BOLT FLANGE 6*22	BOLT FLANGE 6*22	1	



F17

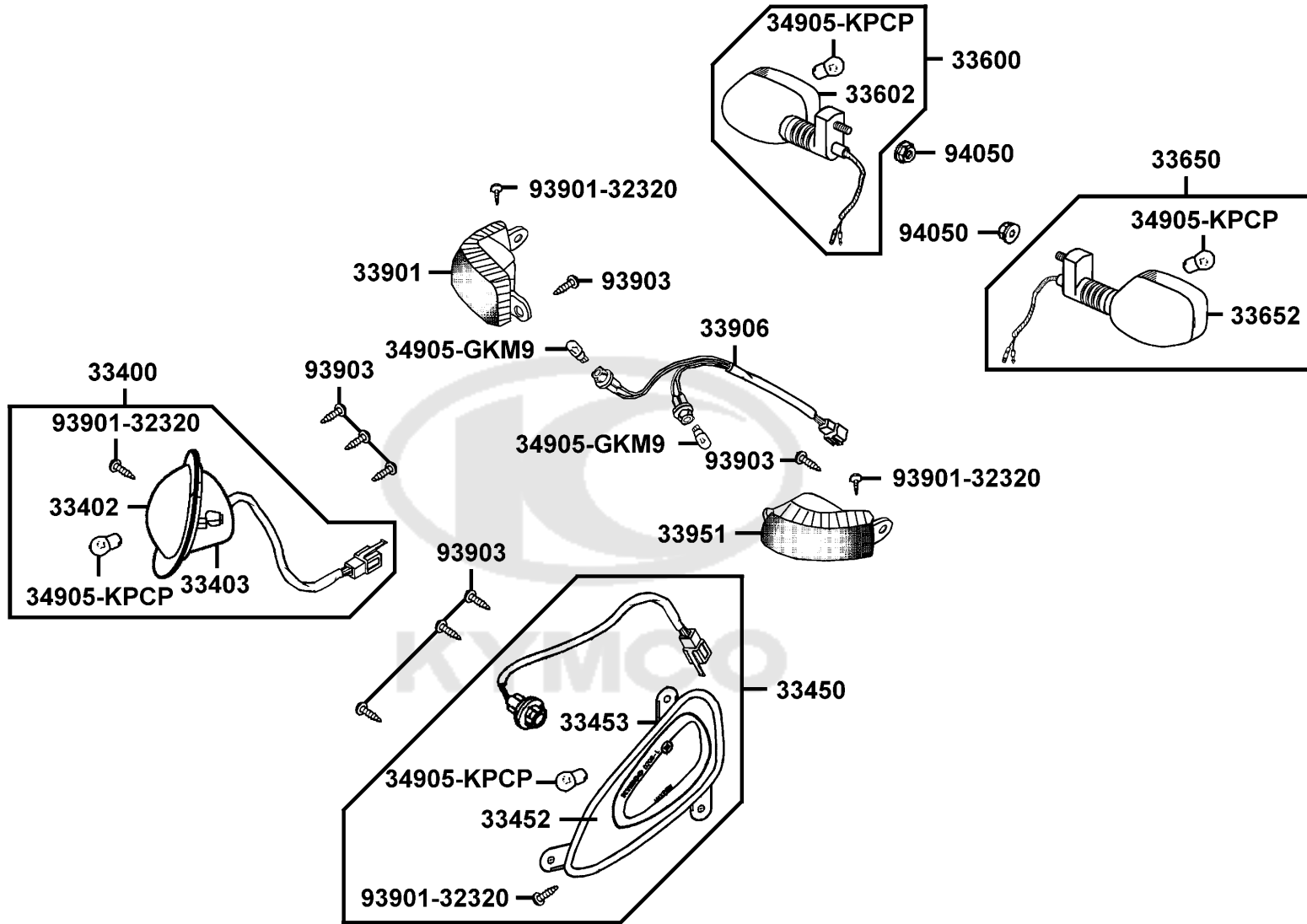
Rear Cushion



Sales mark	Ref no	Part no	Description	Reg description	Regd no	F17
------------	--------	---------	-------------	-----------------	---------	------------

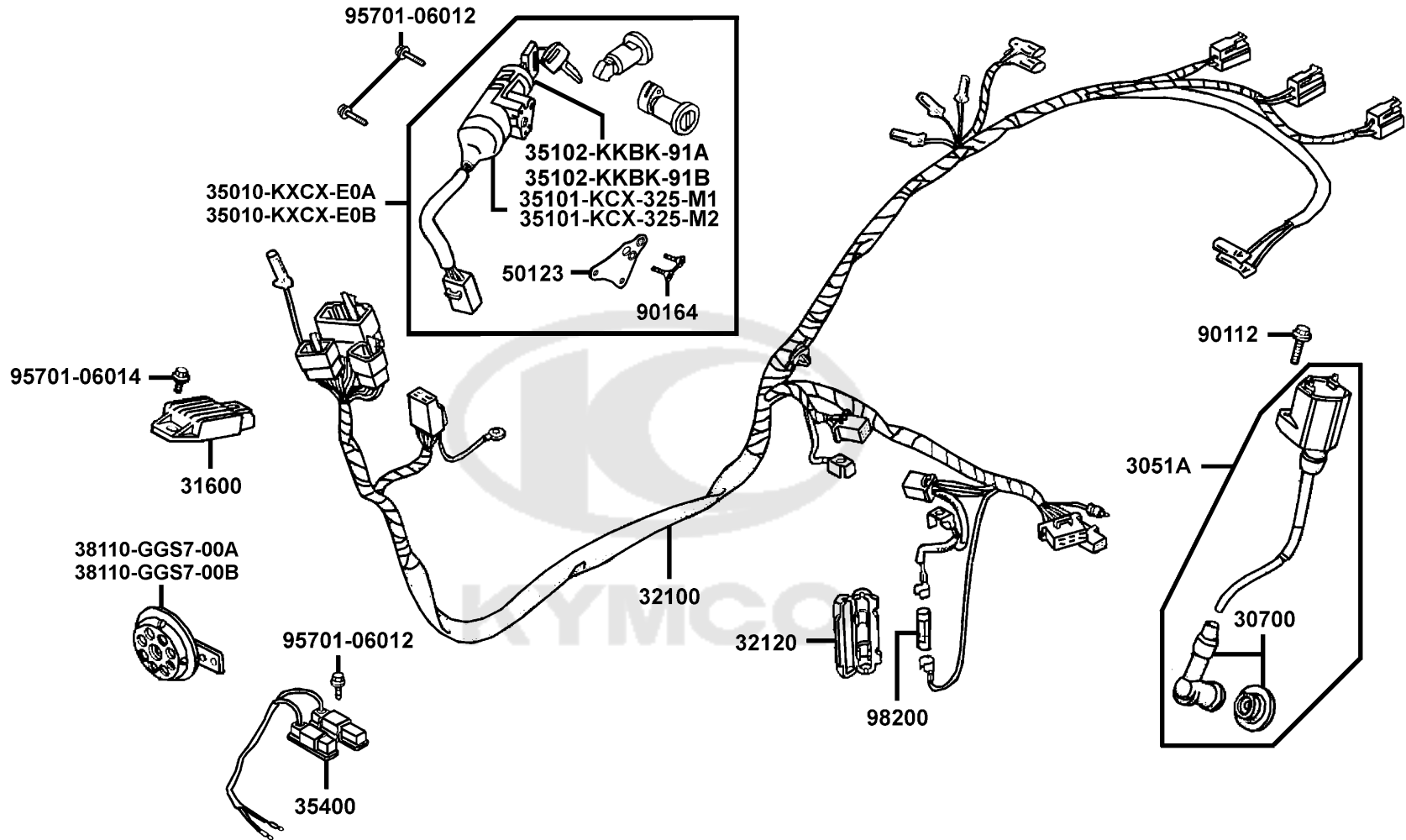
52400		52400-KXCX-E00	CUSHION ASSY REAR	CUSHION ASSY REAR	1	
95701		95701-10040-06	BOLT FLANGE 10*40	BOLT FLANGE 10*40	1	
95801		95801-08035-06	BOLT FLANGE 8*35	BOLT FLANGE 8*35	1	





Sales mark	Ref no	Part no	Description	Reg description	Regd no	F18
**	33400	33400-KACA-E10	WINKER ASSY R FR	WINKER ASSY R FR	1	
	33402	33402-KACA-900	LENS R FR WINKER	LENS R FR WINKER	1	
	33403	33403-KACA-E00	BASE COMP R FR WINKER	BASE COMP R FR WINKER	1	
**	33450	33450-KACA-E10	WINKER ASSY L FR	WINKER ASSY L FR	1	
	33452	33452-KACA-900	LENS L FR WINKER	LENS L FR WINKER	1	
	33453	33453-KACA-E00	BASE COMP L FR WINKER	BASE COMP L FR WINKER	1	
	33600	33600-KPCP-902	RR WINKER ASSY R	RR WINKER ASSY R	1	
	33602	33602-KPCP-900	LENS WINKER R	LENS WINKER R	1	
	33650	33650-KPCP-902	RR WINICER ASSY L	RR WINICER ASSY L	1	
	33652	33652-KPCP-900	LENS WINKER L	LENS WINKER L	1	
	33901	33901-KXCX-910	LIGHT SET R RR POSITION	LIGHT SET R RR POSITION	1	
	33906	33906-KXCX-900	SOCKET COMP RR POSITION	SOCKET COMP RR POSITION	1	
	33951	33951-KXCX-910	LIGHT SET L RR POSITION	LIGHT SET L RR POSITION	1	
	34905-GKM9	34905-GKM9-003	BULB WINKER	BULB WINKER	2	
	34905-KPCP	34905-KPCP-900	BULB WINKER	BULB WINKER 12V 10W	4	
	93901-32320	93901-32320	SCREW TAPPING 3*12	SCREW TAPPING 3*12	4	
	93903	93903-34360	SCREW TAPPING 4X12	SCREW TAPPING 4X12	8	
	94050	94050-05080	NUT FLANGE 5MM	NUT FLANGE 5MM	2	

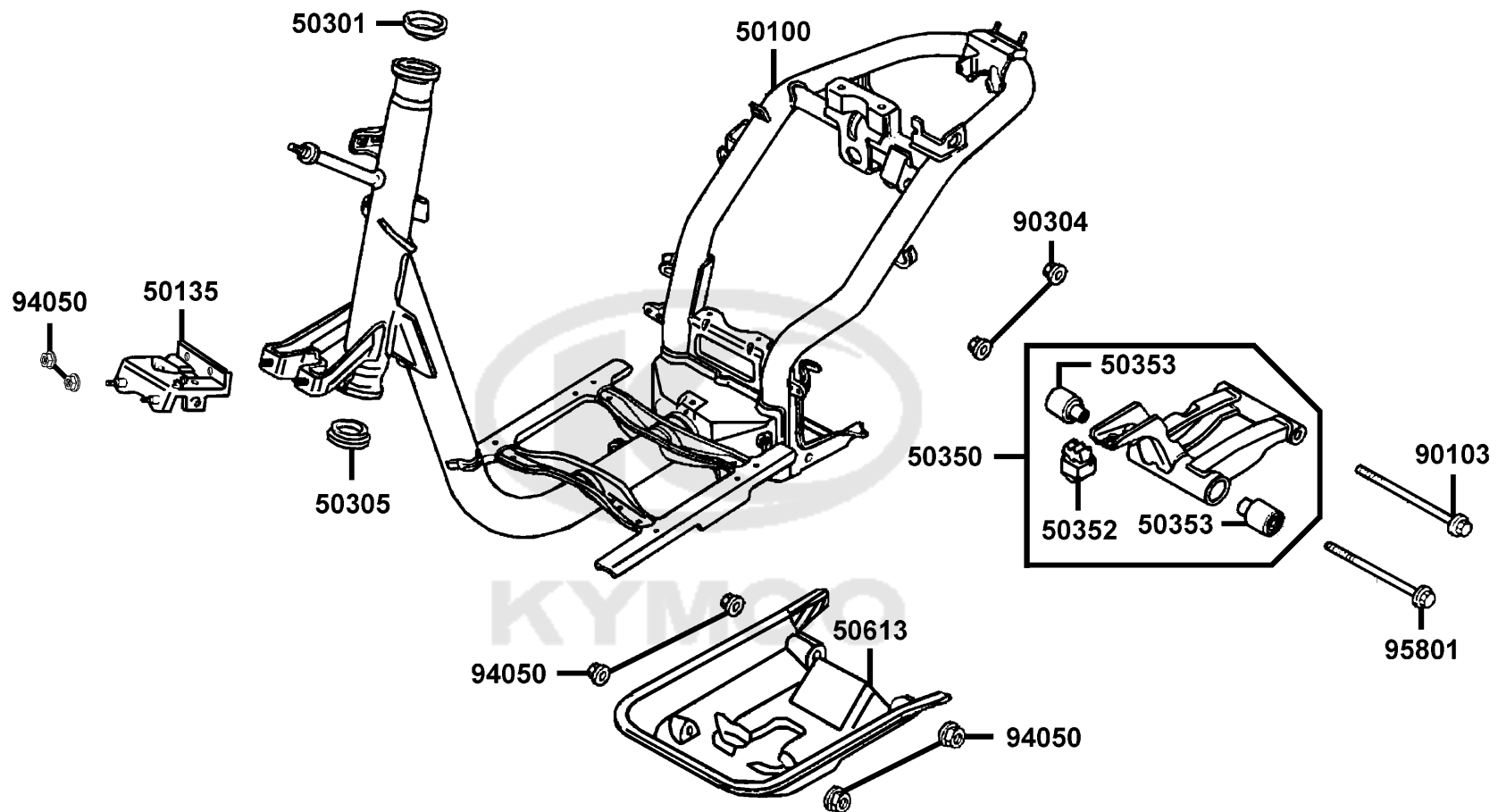
Sales mark	Ref no	Part no	Description	Reg description	Regd no	F19
	33701	33701-KPCP-900	UNIT TAIL LIGHT	UNIT TAIL LIGHT	1	
	33702	33702-KPCP-900	LENS COMP TAIL LIGHT	LENS COMP TAIL LIGHT	1	
	33705	33705-GCN3-67A	LENS LICENSE	LENS LICENSE	1	
	33706	33706-GCN3-67A	COVER LICENSE	COVER LICENSE	1	
	33709	33709-KBAB-003	PACKING LICENSE	PACKING LICENSE	1	
	33741	33741-KABA-900	REFLEX REFLECTOR	REFLEX REFLECTOR	1	
	34906	34906-KPCP-900	BULB TAIL & STOP	BULB TAIL & STOP	2	
	34908	34908-GGA7-70A	BULB WEDGE BASE 12V*3.4W	BULB WEDGE BASE 12V*3.4W	1	
	80100-KEB7	80100-KEB7-900	COLLAR RUBBER	COLLAR RUBBER	1	
	80100-KXCX	80100-KXCX-E00	FENDER RR TIRE	FENDER RR TIRE	1	
	80104	80104-KXCX-900	PLATE SPLASH GUARD	PLATE SPLASH GUARD	1	
**	80105	80105-KXCX-900	FENDER RR	FENDER RR	1	
	80109	80109-KEB7-900	RUBBER RR FENDER B	RUBBER RR FENDER B	1	
	90101	90101-0G87-721	SCREW HEAD LIGHTT SET	SCREW HEAD LIGHTT SET	2	
	90109	90109-KCAC-900	SCREW PAN 5*9	SCREW PAN 5*9	1	
	90677	90677-GAR1-004	NUT CLIP 5MM	NUT CLIP 5MM	2	
	91508	91508-KGV7-67A	SCREW TAPPING 4*14	SCREW TAPPING 4*14	4	
	93404	93404-06012-06	BOLT WASHER 6*12 (G)	BOLT WASHER 6X12	2	
	94050	94050-05080	NUT FLANGE 5MM	NUT FLANGE 5MM	1	



Sales mark	Ref no	Part no	Description	Reg description	Regd no	F20
	3051A	3051A-KXCX-910	COIL ASSY CDI	COIL ASSY CDI	1	
	30700	30700-KXCX-910	CAP ASSY HOISE SUPPR	CAP ASSY HOISE SUPPR	1	
	31600	31600-KUDU-900	REG REC COMP	REG REC COMP	1	
	32100	32100-KXCX-E10	HARNESS WIRE	HARNESS WIRE	1	
	32120	32120-1E55-001	CASE FUSE 7A	CASE FUSE	1	
	35010-KXCX-E0A	35010-KXCX-E0A	KEY SET	KEY SET	1	
	35010-KXCX-E0B	35010-KXCX-E0B	KEY SET	KEY SET	1	
	35101-KXCX-325-M1	35101-KXCX-325-M1	SW SET COMB & LOCK	SW SET COMB & LOCK	1	
	35101-KXCX-325-M2	35101-KXCX-325-M2	SW SET COMB & LOCK	SW SET COMB & LOCK	1	
	35102-KKBK-91A	35102-KKBK-91A	COLLAR MAIN SW	COLLAR MAIN SW	1	
	35102-KKBK-91B	35102-KKBK-91B	COLLAR MAIN SW	COLLAR MAIN SW	1	
	35400	35400-KNBN-900	RESISTER COMP	RESISTER COMP	1	
	38110-GGS7-00A	38110-GGS7-00A	HORN COMP	HORN COMP	1	
	38110-GGS7-00B	38110-GGS7-00B	HORN COMP	HORN COMP	1	
	50123	50123-GBN2-000	PLATE HANDLE LOCK	PLATE HANDLE LOCK	1	
	90112	90112-KRDR-900	BOLT FLANGE 5*22	BOLT FLANGE 5*22	1	
	90164	90164-0H28-900	SCREW FLAT U LOCK 6*12	SCREW FLAT U LOCK 6*12	2	
	95701-06012	95701-06012-06	BOLT FLANGE 6*12 **07 C.2005.07.01	BOLT FLANGE 6X12	1	
	95701-06014	95701-06014-06	BOLT FLANGE 6*14	BOLT FLANGE 6*14	1	
	98200	98200-10700	FUSE A7	FUSE 7A	1	

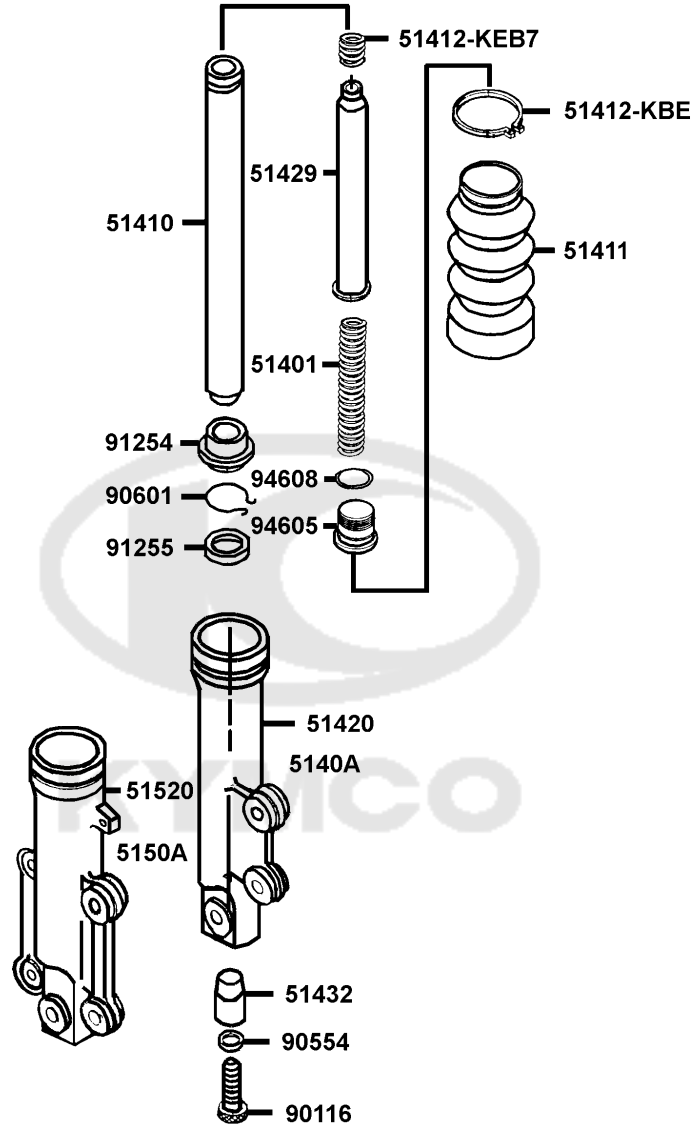
F21

Frame Body

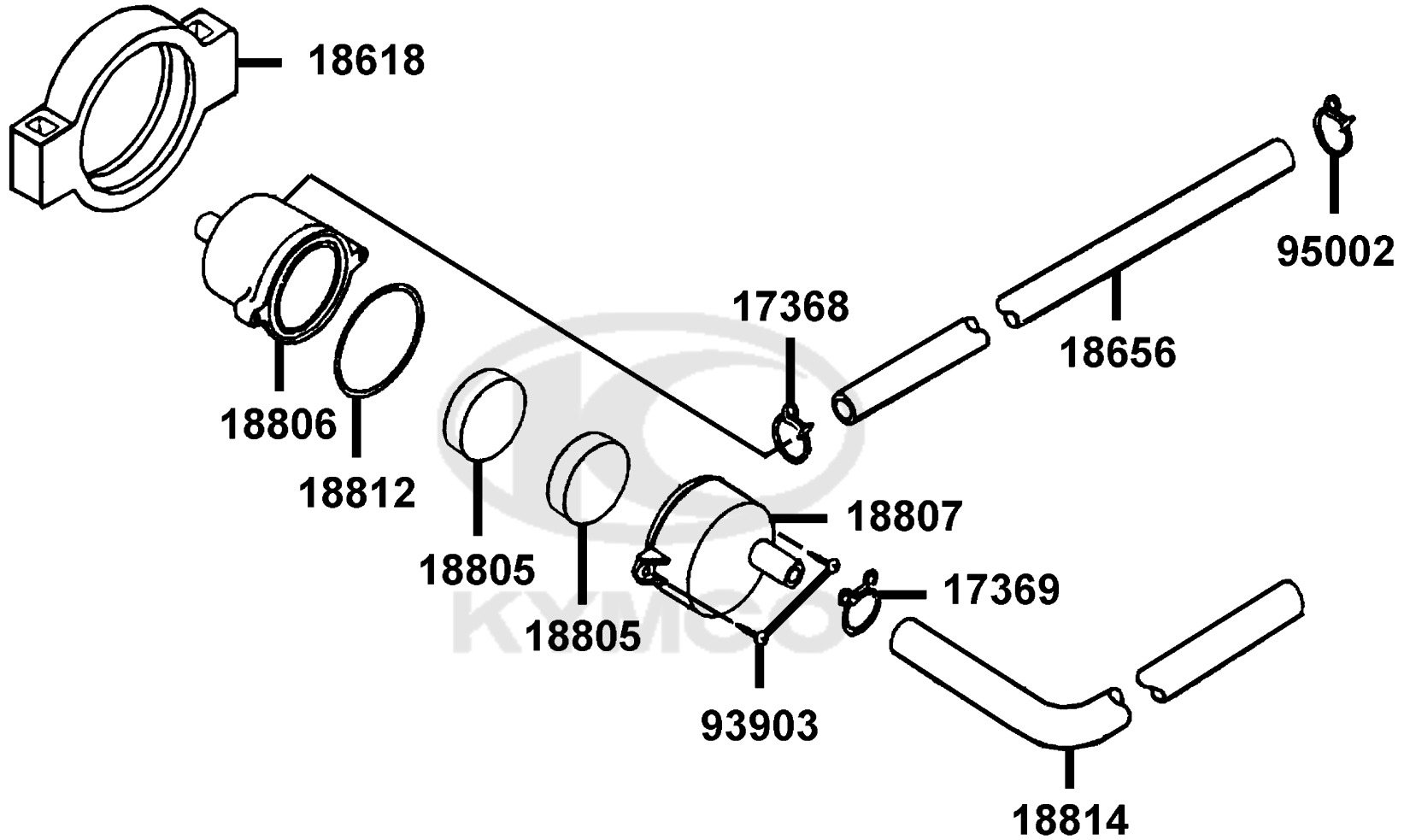


Sales mark	Ref no	Part no	Description	Reg description	Regd no	F21
50100		50100-KXCX-EZ0	FRAME BODY COMP	FRAME BODY COMP	1	
50135		50135-KACA-900	STAY FR BUMPER	STAY FR BUMPER	1	
50301		50301-GLM0-001	RACE UP STRG BALL	RACE UP STRG BALL	1	
50305		50305-GHC8-004	RACE (UNDER STR) BALL	RACE (UNDER STR) BALL	1	
50350		50350-KELE-900	LINK ASSY ENG HANGER	LINK ASSY ENG HANGER	1	
50352		50352-KXCX-900	RUBBER LINK STOPPER	RUBBER LINK STOPPER	1	
50353		50353-GHE8-001	ENGINE HANGER RUBBER BUSH	ENGINE HANGER RUBBER BUSH	2	
50613		50613-KACA-E00	COVER UNDER	COVER UNDER	1	
90103		90103-1G47-001	BOLT FLANGE 10*148	BOLT FLANGE 10*148	1	
90304		90304-GHE8-004	NUT U 10MM **GE8-0040 C.2005.03.01	NUT U 10MM	2	
94050		94050-06080	NUT FLANGE 6MM	NUT FLANGE 6MM	6	
95801		95801-10140-06	BOLT FLANGE 10*140	BOLT FLANGE 10*140	1	

Separated Parts Of Fr Fork



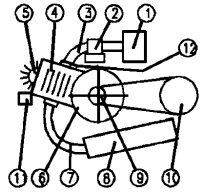
Sales mark	Ref no	Part no	Description	Reg description	Regd no	F22
	51401	51401-KXCX-E90	SPRING	SPRING	2	
	51410	51410-KXCX-E90	FORK PIPE COMP	FORK PIPE COMP	2	
	51411	51411-KEB7-900	BOOT	BOOT	2	
	51412-KEB7	51412-KEB7-900	REBOUND SPRING	REBOUND SPRING	2	
	51412-KEBE	51412-KEBE-E00	BOOT BAND	BOOT BAND	2	
**	51420	51420-KEB7-800	BOTTOM CASE R	BOTTOM CASE R	1	
	51429	51429-KXCX-E90	PIPE SEAT COMP	PIPE SEAT COMP	2	
	51432	51432-KGM7-911	OIL LOCK PIECE	OIL LOCK PIECE	2	
**	51520	51520-KEB7-800	BOTTOM CASE L	BOTTOM CASE L	1	
	90116	90116-3C83-72A	BOLT	BOLT	2	
	90554	90554-2C83-001	PACKING	PACKING	2	
	90601	90601-3D54-001	RING OIL-SEAL STOPPER	RING OIL-SEAL STOPPER	2	
	91254	91254-KEC5-004	DUST SEAL	DUST SEAL	2	
	91255	91255-4F46-014	OIL SEAL	OIL SEAL	2	
	94605	94605-KEBE-900	FORK BOLT	FORK BOLT	2	
	94608	94608-30000	O-RING	O-RING 23X2.4	2	



Sales mark	Ref no	Part no	Description	Reg description	Regd no	F23
17368		17368-KDB4-670	CLIP B 14.5 TUBE	CLIP BREATHER TUBE	1	
17369		17369-KDB4-671	CLIP BREATHER TUBE	CLIP BREATHER TUBE	1	
18618		18618-KBE2-900	RUBBER AI CLEANER MOUNT	RUBBER AI CLEANER MOUNT	1	
18656		18656-KXCX-EZ0	TUBE AI/C REED VALVE	TUBE AI/C REED VALVE	1	
18805		18805-KHB4-910	ELEMENT AI CLEANER	ELEMENT AI CLEANER	2	
18806		18806-KBE2-900	CASE AI CLEANER	CASE AI CLEANER	1	
18807		18807-KBE2-900	COVER AI CLEANER	COVER AI CLEANER	1	
18812		18812-KBE2-900	SEAL AI CLEANER COVER	SEAL AI CLEANER COVER	1	
18814		18814-KXCX-EZ0	DUCT AI CLEANER	DUCT AI CLEANER	1	
93903		93903-34320	SCREW TAPPING 4*12	SCREW TAPPING 4*12	2	
95002		95002-KKD6-E05	CLAMP D18 TUBE	CLAMP D18 TUBE	1	

<ul style="list-style-type: none"> ■ Be sure to wear safety helmet when riding ■ Do not exceed the speed specified by law when riding ■ The exhaust pipe temperature is very high after riding. Be sure to park the motorcycle in a place not easily touched by people ■ Make sure to perform the specified safety inspection before riding 	<p>(Safety Inspection Items)</p> <p>Brake performance, tires, 2cycle motor oil, lights, horn, and instrument panel</p> <p>KWANG YANG MOTOR CO.,LTD.</p>
<ul style="list-style-type: none"> □ Please read the User's manual carefully to ensure driving safety □ Be sure to observe the traffic rules and perform regular maintenance. No more than two persons shall ride on one motorcycle 	

87560

<p>TRADE NAME: KYMCO ZX50 VEHICLE CATEGORY: A</p> 	<ol style="list-style-type: none"> 1. KYMCO KCA 2. KEIHIN PA 3. KY GR1 4. KYMCO GR1 5. KYMCO GR1 6. KYMCO KCX 7. ----- 8. [a] KYMCO KCXII 9. KY GAK φ88 10. KCX φ118 11. KYMCO KCX 12. ----- <p>Xref: isog4 KCX-EZD</p>
---	---

87224

CAUTIONS			
Tire Size	:Front 110/70-12-56J	Rear 120/70-12-56J	
(One Rider)	:Front 1.75kg/cm ²	Rear 1.75kg/cm ²	
(Two Rider)	:Front 1.75kg/cm ²	Rear 2.0 kg/cm ²	
Load Capacity	:Shield 1.5kg	Rear carrier 3kg	
	Inner box under saddle 10kg		
	(Note: The tire pressure must not overpass 2.5 kg/cm ²)		
<p>When refilling gasoline, check the motor oil level. Riding with insufficient motor oil will cause breakdown easily.</p>			

87505

USE UNLEADED GASOLINE ONLY

87501

CAUTION	
<ul style="list-style-type: none"> □ The weight of articles put in the inner box shall not exceed 1.5kgs □ Water may enter into the box when washing the motorcycle be careful when putting important articles in it. 	

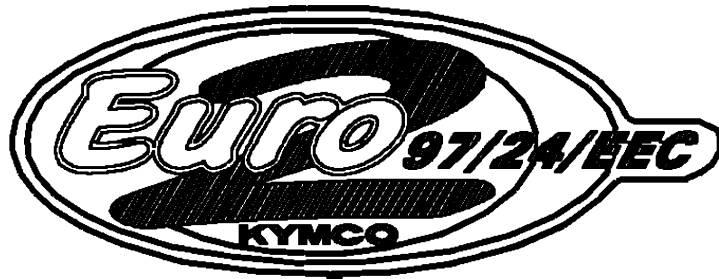
81218

CAUTIONS	
<p>Never put any article between the rear side cover and the engine to avoid interference of riding.</p>	

87542

Sales mark	Ref no	Part no	Description	Reg description	Regd no	F24
**	81218	81218-KCAC-P00	CAUTION INNER BOX	CAUTION INNER BOX	1	
**	87224	87224-KXCX-EZ0	ACUTION ANTI TAMPERING STICKER	ACUTION ANTI TAMPERING STICKER	1	
**	87501	87501-KRDR-E00	CAUTION USE GAS ONLY	CAUTION USE GAS ONLY	1	
**	87505	87505-KXCX-E20	LABEL TIRE	LABEL TIRE	1	
**	87542	87542-GAR1-E00	MARK MAINT CAUTION	MARK MAINT CAUTION	1	
**	87560	87560-GAR1-E00	MARK DRIVE CAUTION	MARK DRIVE CAUTION	1	





87311



87161



87551



87532



87160

Sales mark	Ref no	Part no	Description	Reg description	Regd no	F25
**	87160	87160-KHE7-E00	STRIPE UNDER COWL	STRIPE UNDER COWL	1	
**	87161	87161-KCAC-920	STRIPE KYMCO	STRIPE KYMCO	1	
**	87311	87311-KKD6-E00	STRIPE MARK EURO 2	STRIPE MARK EURO 2	1	
**	87532	87532-KGAG-V00	EMBLEM KYMCO SCOOTER	EMBLEM KYMCO SCOOTER	1	
**	87551	87551-KACA-900	EMB FR COVER	EMB FR COVER	1	



PART NO. INDEX

PART NO.	VERSION	PAGE	PART NO.	VERSION	PAGE	PART NO.	VERSION	PAGE
1000			4000			13000		
1010-OAGH-9900	0	E11	4000-039-0000	0	E11	13000-GAR1-960	4	E10
1014-240H-9900	0	E11				13011-GLW0-90A	4	E10
1019-GW3H-9800	0	E11	11000			13101-GLW0-901	2	E10
1020-GR1H-9310	0	E11				13111-1F66-001	2	E10
1028-187H-0030	0	E11	11102-GLW0-004	0	E09	13115-1F56-001	0	E10
1030-868-2100	0	E11	1110A-GAR1-941	1	E09			
1031-GN2H-8710	0	E11	11200-KXCX-306	6	E09	14000		
1034-KG8H-9020	0	E11	11203-GGC7-301	2	E09			
1051-490H-9920	0	E11	11203-KHG8-301	2	E08	14100-GAR1-941	0	E09
105B-046H-9901	0	E11	11205-GHAH-004	0	E05			
105J-69AH-9901	0	E11	11205-GHAH-004	0	E09	15000		
106B-KG8H-9804	0	E11	11206-KXCX-E00	1	E09			
1300-GR1H-9310	0	E11	11208-KXCX-901	1	E09	15100-GAR1-C00	0	E09
1300-GW3H-Q800	0	E11	11340-KXCX-900	1	E05	15110-GGS7-901	0	E09
1300-KG8H-9010	0	E11	11395-KXCX-980	0	E05	1552A-GAR1-E00	0	E09
1300-KG8H-Q010	0	E11				15772-5A51-001	1	F12
1703-GJ2H-0040	0	E11	12000			15772-5L00-013	1	F14
1738-GJ2H-0040	0	E11						
1782-KG8H-9010	0	E11	12101-GLW0-901	2	E02	16000		
1795-KG8H-9011-3	0	E11	12191-GLW0-980	0	E02			
			12201-GAR1-931	0	E02	16075-KG8-9010-M1	0	E11
			12251-GLW0-001	0	E02	16076-ND5-0040	0	E11
			12311-KTCT-500	5	F15	16079-NC5-0040	0	E11

PART NO. INDEX

PART NO.	VERSION	PAGE	PART NO.	VERSION	PAGE	PART NO.	VERSION	PAGE
1610K-KCX-EZ0	0	E11	17257-KXCX-900	0	F14			
16162-KG8-9010-M1	0	E11	17368-KDB4-670	2	F23	19000		
16185-KTCT-500	0	F15	17369-KDB4-671	1	F23			
1621A-GMAM-000	0	E09	17500-KXCX-E10	3	F10	19510-GLW0-902	1	E03
16620-KEB7-E00	1	E11	17502-1G87-001	0	F12	19600-GAR1-941	1	E01
16630-GAR1-E00	0	E01	17620-GGS7-E10	4	F10	19616-GAR1-941	0	E01
1691A-GFY6-90A	4	F10	17910-KSBS-200	7	F03	19620-GAR1-E00	1	E01
1691A-GFY6-90B	3	F10						
16950-KKJ9-75A	3	F10	18000			21000		
17000			18291-LEA5-E00	1	F15	21200-KXCX-305	0	E08
			18294-KTCT-900	1	F15	21395-KXCX-980	0	E08
17100-GAR1-E00	0	E09	1830A-KXCX-EZ0	5	F15			
17111-GLW0-980	0	E09	18315-KXCX-900	0	F15	22000		
17112-GLW0-980	0	E09	18318-KXCX-900	1	F15			
17205-GAR1-751	0	F14	18325-KTCT-500	0	F15	22100-GAR1-751	1	E07
17206-GAR1-931	3	F14	18601-KFB5-900	0	F15	22102-GHAH-920	0	E06
17207-GAR1-930	4	F14	18612-KFB5-900	1	F15	22105-KXCX-EZ0	0	E06
17208-KXCX-900	0	F14	18618-KBE2-900	0	F23	22110-KFA1-220	0	E06
1720A-KXCX-900	0	F14	18656-KXCX-EZ0	0	F23	22121-GHT8-305	0	E06
1720B-KXCX-E00	1	F14	18805-KHB4-910	0	F23	22131-GHAH-781	0	E06
17212-GAR1-751	0	F14	18806-KBE2-900	1	F23	22132-GLW0-305	0	E06
17214-GAR1-711	0	F14	18807-KBE2-900	3	F23	22300-KXCX-900	2	E07
17218-KXCX-900	0	F14	18812-KBE2-900	0	F23	22350-GKAK-930	1	E07
17253-KXCX-E00	0	F14	18814-KXCX-EZ0	1	F23	22401-GBG2-900	0	E07
17254-KACA-P00	0	F14				22530-GKAK-930	1	E07

PART NO. INDEX

PART NO.	VERSION	PAGE	PART NO.	VERSION	PAGE	PART NO.	VERSION	PAGE
22804-1H48-001	0	E07				32906-GBR2-701	0	E09
23000			30000			33000		
			30400-KXCX-E01	0	F11			
2301A-KXCX-900	3	E07	3051A-KXCX-910	3	F20	33100-KKDK-E00	2	F01
23100-KXCX-900	0	E07	30700-KXCX-910	1	F20	33120-KKDK-E00	0	F01
23200-GAR1-751	0	E07				33130-KKDK-E00	0	F01
23220-KXCX-900	0	E07	31000			33400-KACA-E10	1	F18
23225-GAR1-751	0	E07				33402-KACA-900	2	F18
23233-GHE8-001	2	E07	31110-KSBS-901	0	E03	33403-KACA-E00	0	F18
23237-GAR1-881	0	E07	31110-KSBS-90A	0	E03	33450-KACA-E10	1	F18
23238-GFY6-941	0	E07	31120-GAR1-941	1	E03	33452-KACA-900	2	F18
23411-GLZ0-001	0	E08	31120-GAR1-94A	0	E03	33453-KACA-E00	0	F18
23420-GAR1-901	0	E08	31120-GAR1-94B	1	E03	33600-KPCP-902	0	F18
23431-KXCX-900	2	E08	31200-GAR1-931	1	E04	33602-KPCP-900	1	F18
23432-GLW0-901	0	E08	31200-GAR1-93A	0	E04	33650-KPCP-902	0	F18
			31209-GAR1-751	0	E04	33652-KPCP-900	1	F18
28000			31500-KCAC-90A	9	F11	33701-KPCP-900	1	F19
			31600-KUDU-900	2	F20	33702-KPCP-900	0	F19
28223-GHAH-721	0	E06				33705-GCN3-67A	0	F19
28230-GHAH-721	1	E06	32000			33706-GCN3-67A	0	F19
28250-GBN2-602	0	E06				33709-KBAB-003	0	F19
28253-GBN2-60A	0	E06	32100-KXCX-E10	0	F20	33741-GFY6-C30	1	F05
28281-GBN2-60A	1	E06	32101-GFY6-901	1	F04	33741-KABA-900	0	F19
28300-GGS7-901	2	F16	32120-1E55-001	0	F20	33901-KXCX-910	0	F18
			32906-1G07-001	0	E05	33906-KXCX-900	0	F18

PART NO. INDEX

PART NO.	VERSION	PAGE	PART NO.	VERSION	PAGE	PART NO.	VERSION	PAGE
33951-KXCX-910	0	F18	35200-GFY6-910	1	F03	42000		
34000			35340-KABA-900	1	F03			
			35340-KNBN-901	0	F04			
			35400-KNBN-900	0	F20		42601-KEB7-E0E	2
34901-KBAB-900	0	F01	35410-GAR1-900	1	F12	42710-KXCX-E1B	6	F08
34903-KPCP-900	0	F01	37000			42753-0D04-900	1	F07
34905-GKM9-003	0	F18				42753-KNBN-90B	1	F08
34905-KPCP-900	0	F18				43000		
34906-KPCP-900	0	F19		37200-KXCX-E10	2		F02	
34908-GGA7-70A	1	F02	37200-KXCX-E20	2	F02			
34908-GGA7-70A	1	F19	37211-GGS7-900-LI	0	F02		43108-KFS6-07A	0
34908-MKB9-87A	0	F02	37211-GGS7-900-SA	0	F02	43109-MCA3-007	0	F07
35000			37212-GGS7-900	0	F02	4312A-KXCX-900	9	F08
			37213-GGS7-900	0	F02	43141-GKAK-901	3	F08
			37801-GGA7-701	1	F10	43209-MCA3-007	0	F07
			37802-GGA7-701	3	F10	43352-5H68-004	3	F07
35010-KXCX-E0A	3	F20	3780A-KXCX-900	1	F10	43353-4A61-77A	0	F07
35010-KXCX-E0B	2	F20	38000			43410-KFA1-900	0	F08
35101-KXCX-325-M1	2	F20				43452-GBN2-601	0	E05
35101-KXCX-325-M2	1	F20				4345A-KXCX-901	3	F03
35102-KKBK-91A	0	F20				43472-1A61-001	2	F03
35102-KKBK-91B	0	F20	38110-GGS7-00A	8	F20	44000		
35150-GFY6-900	4	F03	38110-GGS7-00B	7	F20			
35160-GFY6-900	3	F03	38301-GGS7-005	3	F02			
35170-KNBN-910	1	F03	38501-GBN2-004	1	F11			
35180-GFY6-900	2	F03	38501-GBN2-00A	1	F11	44311-GLW0-911	0	F07
35190-GFY6-900	4	F03				44620-KEB7-E00	0	F07

PART NO. INDEX

PART NO.	VERSION	PAGE	PART NO.	VERSION	PAGE	PART NO.	VERSION	PAGE	
44650-KEB7-315	2	F07	45530-KXCX-306-US	0	F04	5140A-KXCX-E00	2	F06	
44710-KFA5-90B	1	F07	45531-GAR1-951	0	F07	51410-KXCX-E90	0	F22	
44800-KXCX-E00	6	F07	50000			51411-KEB7-900	0	F22	
44830-KXCX-901	5	F02				51412-KEB7-900	0	F22	
44831-KXCX-900	0	F02				51412-KEBE-E00	0	F22	
45000				50100-KXCX-EZ0	4	F21	51420-KEB7-800	1	F22
				50123-GBN2-000	1	F20	51429-KXCX-E90	0	F22
			50135-KACA-900	1	F21	51432-KGM7-911	0	F22	
45100-KXCX-E00	4	F07	50301-GLM0-001	0	F21	5150A-KXCX-E00	3	F06	
45105-KXCX-305-M2	0	F07	50305-GHC8-004	0	F21	51520-KEB7-800	0	F22	
45110-KXCX-E00	1	F07	50306-KCAC-900	1	F06	52000			
45121-KECE-900	1	F07	50326-GGS7-001	0	F11				
45126-KXCX-E10	0	F04	50350-KELE-900	4	F21				
45128-KEB7-900	0	F06	50352-KXCX-900	0	F21		52400-KXCX-E00	3	F17
45131-1F66-017	0	F07	50353-GHE8-001	0	F21				
45131-HEA5-67A	0	F07	50500-KXCX-900	4	F16	53000			
45132-1F66-017	0	F07	50503-GAR1-001	0	F16				
45133-0H28-001	1	F08	50505-KXCX-900	0	F15		53100-KXCX-E00	1	F03
45133-MCA3-007	0	F07	50530-KXCX-900	1	F16		53105-KNBN-910	1	F03
45156-KDLD-901	2	F06	50532-KGN7-671	0	F16		53140-KNBN-960	0	F03
45203-MCG3-007	0	F07	50550-KXCX-J00	2	F16	53166-KNBN-911	0	F03	
45215-KCA3-73A	0	F07	50613-KACA-E00	1	F21	53167-GBN2-021	1	F03	
45465-KEB7-E00	0	F06	51000			53168-GBN2-021	1	F03	
45513-GLW0-91A	0	F04				53172-KACA-900	1	F03	
45517-GFY6-900	5	F03				53175-KXBX-E10	3	F04	
45517-KFAF-910	0	F04		51401-KXCX-E90	0	F22	53178-KXCX-E90	0	F03

PART NO. INDEX

PART NO.	VERSION	PAGE	PART NO.	VERSION	PAGE	PART NO.	VERSION	PAGE
5317A-KXCX-E00	1	F03	64310-KACA-900	2	F05	80108-KCAC-900	0	F13
53200-LLG7-900	0	F06	64320-KACA-900	1	F05	80109-KEB7-900	0	F19
53205-KXCX-E00	0	F03	64400-KACA-900	3	F05	80151-KCAC-900	2	F13
53206-KACA-900	1	F03						
53211-GFY6-940	1	F06	75000			81000		
53212-GHC8-004	1	F06						
53216-KACA-C10	0	F03	75581-6C73-001	0	F05	81131-KACA-C00	1	F05
55000			77000			81132-GHAH-001	2	F05
55100-KTCT-900	1	F12	77200-KXCX-E00	1	F09	81132-KKDK-900	1	F05
55102-1F66-001	0	F12	77232-GLW0-315-M2	0	F05	81133-KNBN-901	0	F05
55105-GHK8-001	0	F12	77232-KCAC-901	2	F13	81135-KGBG-900	2	F05
55107-GHK8-001	0	F12	77235-GGS7-901	0	F13	81141-KACA-900	1	F05
55121-GGS7-901	0	F12	77239-GFY6-315-M1	0	F13	81142-KACA-900	0	F05
5512A-GGS7-901	1	F12	77239-GFY6-315-M2	0	F13	81146-GGS7-001	0	F05
55201-1G87-001	0	F12	77240-GGS7-001	2	F13	81218-KCAC-P00	0	F24
61000			77300-KXCX-900	1	F13	81252-GGS7-001	0	F13
61110-KEB7-E00	0	F06	77332-KPCP-E00	0	F10	81253-GGS7-001	0	F13
6111A-LLG7-900	1	F06	80000			81260-KXCX-E00	7	F13
64000			80100-KEB7-900	0	F19	83000		
64301-KACA-325	0	F05	80100-KXCX-E00	2	F19	83500-KACA-305	0	F13
			80104-KXCX-900	1	F19	83500-KACA-315	0	F13
			80105-KXCX-900	6	F19	83500-KCAC-900	9	F13
						83505-KCAC-900	0	F13
						83600-KACA-305	0	F13

PART NO. INDEX

PART NO.	VERSION	PAGE	PART NO.	VERSION	PAGE	PART NO.	VERSION	PAGE
83600-KXCX-900	0	F13				90201-GBR2-001	1	E09
83750-KXCX-900	0	F13	90000			90202-1G87-001	2	E07
8375B-KCAC-901	0	F13				90301-6D34-671	1	F05
87000			90001-GBHB-711	3	E09	90301-6D34-671	1	F13
			90001-GBHB-751	1	E09	90301-KCAC-900	0	F03
			90101-0G87-721	2	F19	90302-GFY6-940	1	F11
87160-KHE7-E00		F25	90103-1G47-001	1	F21	90302-KED5-900	2	F13
87160-KHE7-E00	0	F25	90105-KCR3-001	1	F07	90302-KNBN-900	1	F03
87161-KCAC-920	1	F25	90106-KFAF-900	2	F13	90302-SDA4-004	3	F13
87224-KXCX-EZ0	0	F24	90108-GFY6-901	0	F16	90304-GHE8-004	0	F21
87311-KKD6-E00	1	F25	90109-KCAC-900	1	F19	90304-HCB3-77A	1	F15
87501-KRDR-E00	2	F24	90110-GLW0-001	0	F05	90305-KNBN-90B	0	F08
87505-KXCX-E20	0	F24	90110-KEB7-900	1	F06	90306-GLW0-90A	1	F07
87532-KGAG-V00	6	F25	90111-KKD7-900	1	F13	90309-4H28-73A	0	E08
87542-GAR1-E00	2	F24	90112-GCC3-001	1	F06	90412-3K29-001	0	E06
87551-KACA-900	0	F25	90112-KRDR-900	1	F20	90426-KNBN-901	0	E06
87560-GAR1-E00	3	F24	90114-1F66-007	2	F04	90429-GBN2-004	0	E08
88000			90114-KXCX-900	1	F14	90442-0D44-001	0	E07
			90115-GLE0-001	0	F03	90451-GBN2-601	0	E06
			90115-LKB9-900	2	F14	90452-1G07-001	0	E08
88110-KXCX-E00	2	F03	90116-3C83-72A	0	F22	90454-3L50-001	0	E08
88120-KXCX-E00	2	F03	90120-GAR1-J00	0	E09	90454-GBB2-001	0	E07
89000			90121-KBE2-981	6	F07	90474-3C33-001	1	E08
			90131-GLW0-911	0	F07	90474-7D04-000	0	F05
			90145-LEA3-E00	1	F04	90501-KNBN-901	0	F08
89010-GGS7-C00	5	F09	90164-0H28-900	2	F20	90545-3L00-001	2	F04

PART NO. INDEX

PART NO.	VERSION	PAGE	PART NO.	VERSION	PAGE	PART NO.	VERSION	PAGE
90554-2C83-001	0	F22	91255-GLE0-006	0	E08	93891-05012-06	0	F13
90601-3D54-001	0	F22	91258-KAM1-00A	1	F07	93891-05025-06	0	F03
90651-GBHB-601	0	F14	91301-0C53-001	0	E08	93892-04008-16	0	E11
90677-GAR1-004	1	F05	91301-KEA5-742	0	E07	93892-04012-18	0	E11
90677-GAR1-004	1	F19	91302-PKA9-004	0	E07	93893-04012-18	0	F04
90703-HDC4-001	1	E05	91304-GLB0-911	1	E09	93901-32320	0	F18
90741-0E35-001	0	E10	91309-GLF0-761	0	E04	93903-14360	0	F13
90754-GHC8-00A	1	F07	91352-KHG8-83B	0	F08	93903-25360	0	F02
90912-GHC8-00A	0	F07	91407-SGA7-004	0	F15	93903-25360	0	F14
90912-GHC8-00D	0	F07	91508-KGV7-67A	0	F19	93903-25660	0	F14
			91508-KNBN-901	1	F13	93903-34160	0	F13
91000			92000			93903-34320	0	F01
91001-GGA7-70A	2	E07				93903-34320	0	F03
91005-GCW3-95A	5	E09	92900-06018-1B	0	E02	93903-34320	0	F23
91009-GLE0-004	1	E08				93903-34360	0	F03
91102-GLW0-009	0	E10	93000			93903-34360	0	F05
91103-GAR1-004	0	E07				93903-34360	0	F13
91103-GAR1-00A	0	E07	93404-06012-06	0	F05	93903-34360	0	F18
91201-KNBN-92A	0	E09	93404-06012-06	0	F19	93903-44560	0	F14
91202-KNBN-92A	0	E09	93404-06016-06	0	F05	93903-GFY6-900	1	F05
91202-KNBN-92B	0	E09	93404-06025-06	0	F05	94000		
91204-GBN2-006	0	E09	93500-05012-0F	0	E09			
91211-GHK8-014	1	E07	93500-05022-0F	0	F03	94001-05080-0S	0	F03
91254-KEC5-004	0	F22	93600-04012-1G	0	F04	94001-06080-0S	0	E09
91255-4F46-014	0	F22	93700-05018-0F	0	F02	94001-12280-0S	0	E06

PART NO. INDEX

PART NO.	VERSION	PAGE	PART NO.	VERSION	PAGE	PART NO.	VERSION	PAGE
94021-06020-0S	0	F05				95701-06025-06	2	F03
94050-05080	0	F18	95000			95701-06025-06	2	F15
94050-05080	0	F19				95701-06032-06	0	F08
94050-06080	0	F04	95001-KXCX-EZ0	0	F15	95701-08012-06	0	E08
94050-06080	0	F09	95002-02070	0	F10	95701-08035-06	1	F15
94050-06080	0	F10	95002-02080	0	F10	95701-08040-06	0	E08
94050-06080	0	F13	95002-02100	0	F12	95701-10040-06	0	F17
94050-06080	0	F15	95002-02650	0	E09	95801-06040-06	0	E09
94050-06080	0	F21	95002-50000	0	F12	95801-08035-06	1	E08
94050-10080	0	E03	95002-KKD6-E05	0	F15	95801-08035-06	1	F17
94050-10080	0	E07	95002-KKD6-E05	0	F23	95801-08040-06	0	F06
94101-06000	0	F15	9500A-35435-40	0	F10	95801-10140-06	0	F21
94101-06700	0	F15	9500C-GGS7-001	1	F10	95801-KFA6-E00	2	F15
94111-06800	0	F15	9500E-GGS7-001	0	F10			
94251-08400	0	F16	95015-32001	0	F03	96000		
94301-08200	0	E09	95015-42000	0	F03			
94301-10200	0	E08	95701-06008-06	1	F15	96001-06006-02	0	F15
94510-20000	0	E08	95701-06012-06	1	F04	96001-06012-02	0	F15
94511-14000	0	E06	95701-06012-06	1	F06	96001-06012-06	0	E03
94520-24000	1	E07	95701-06012-06	1	F10	96001-06016-06	0	E01
94591-25000	0	F01	95701-06012-06	1	F13	96001-06016-06	0	E03
94591-27000	0	F05	95701-06012-06	1	F20	96001-06018-06	0	E03
94605-KEBE-900	1	F22	95701-06014-06	0	F20	96001-06020-06	0	E04
94608-30000	0	F22	95701-06016-06	1	F06	96001-06028-06	0	E09
			95701-06022-06	1	F04	96001-06032-06	0	E05
			95701-06022-06	1	F16	96001-06032-06	0	E09

PART NO. INDEX

PART NO.	VERSION	PAGE	PART NO.	VERSION	PAGE	PART NO.	VERSION	PAGE
96001-06040-06	0	E09						
96001-06045-06	0	E09	S					
96001-06060-06	0	E09						
96001-06075-06	1	E09	S785-0820	0	E11			
96001-06095-06	0	E02	S785-4310	0	E11			
96100-62013-00	0	E08	S785-8640	0	E11			
96100-62023-00	0	E09						
96100-62033-00	0	E09	W					
96211-05000	0	F06						
			W9113-04080	0	E11			
98000			W9525-20180	0	E11			
			W9535-25000	0	E11			
98076-5871G-00	0	E02	W9535-35000	0	E11			
98200-10700	0	F11						
98200-10700	0	F20						
			KYMCO					
99000								
99101-187-0750	0	E11						
K								
K378-001	0	E11						
KT425-KLE-9000	0	E11						