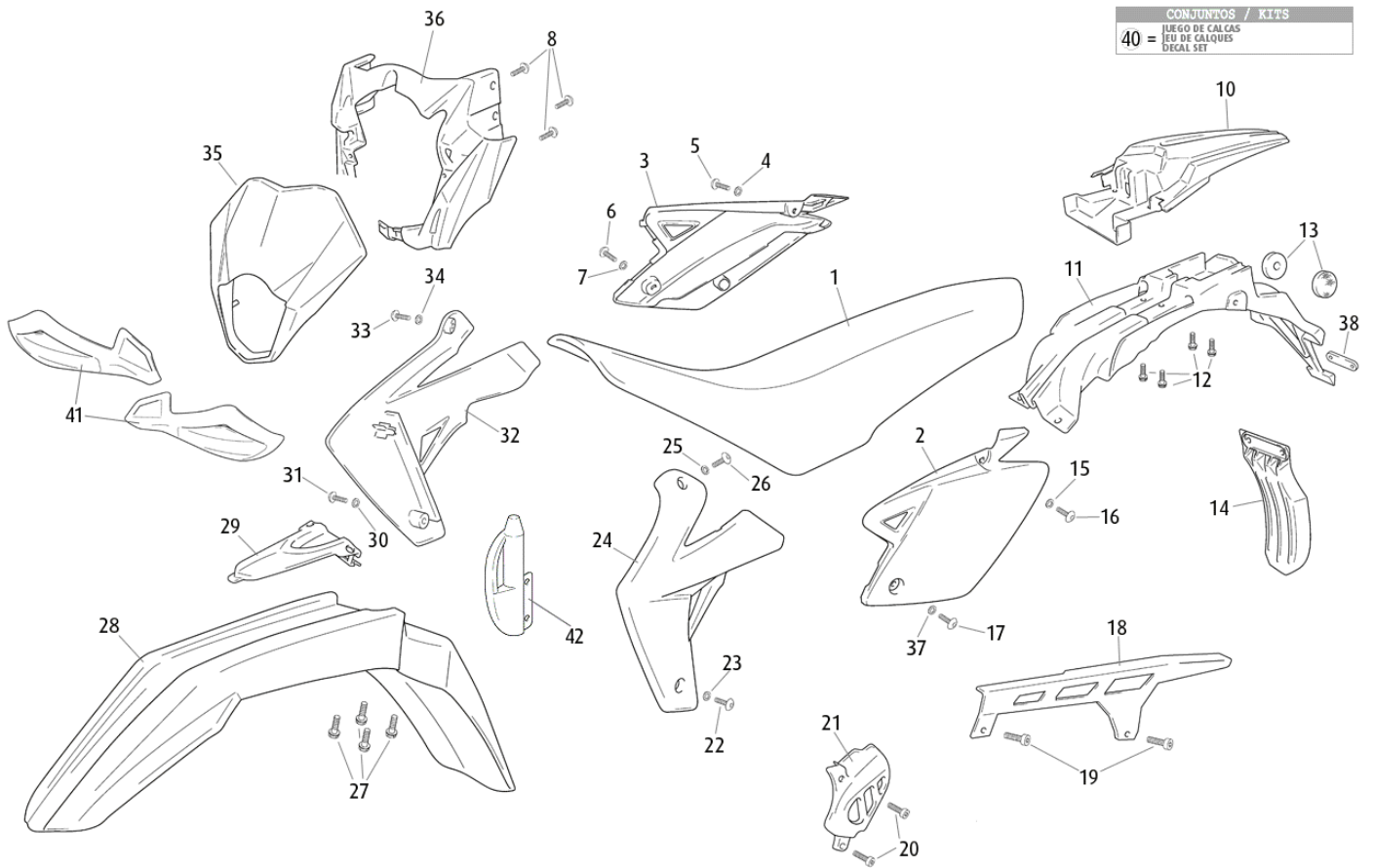


01 MRT\p15\CHASSIS

- 1 0/000.010.5006 FULL PAINTED CHASSIS
- 2 0/000.020.5212 FULL SWING ARM
- 3 0/000.380.5212 WHEEL TENSOR
- 4 0/000.460.0636 WHEEL TENSOR BOLT
- 5 0/000.340.0140 WHEEL TENSOR NUT
- 6 0/000.460.0623 REAR CHAIN GUIDE BOLT
- 7 0/000.710.0300 CHAIN GUIDE
- 8 0/000.340.0186 SWING ARM SHAFT NUT
- 9 0/000.440.0123 SWING ARM SHAFT WASHER
- 10 0/000.360.0370 SWING ARM SILENTBLOC
- 11 0/000.460.0745 CHAIN SLIDER PLATE THREAD SCREW
- 12 0/000.360.5001 CHAIN SLIDER
- 13 0/000.480.5037 SWING ARM SHAFT GUIDE BUSHING
- 14 0/000.340.0182 FOOTREST NUT
- 15 0/000.740.0310 LEFT-HAND RIDER FOOTREST
- 16 0/000.980.5102 PADDOCK STAND BOLT PIN
- 17 0/000.470.8000 PADDOCK STAND SPRING
- 18 0/000.480.0215 LEFT-HAND DRIVER FOOTREST INNER BUSHING
- 19 0/000.470.5002 INNER FOOTREST SPRING
- 20 0/000.460.5100 RIDER FOOTREST BOLT
- 21 0/000.210.8000 SIDESTAND
- 22 0/000.340.0181 BRAKE PEDAL NUT
- 23 0/000.470.5011 BRAKE LEVER SPRING
- 24 0/000.260.5001 INNER BRAKE LEVER BUSHING
- 25 0/000.730.0731 BRAKE LEVER MRT 2010
- 26 0/000.460.0491 BRAKE PEDAL BOLT
- 27 0/000.340.0181 CHAIN ROLLER NUT
- 28 0/000.440.0161 ROLLER WASHER
- 29 0/000.480.0645 CHAIN ROLLER INNER BUSHING
- 30 0/000.360.0792 CHAIN ROLLER
- 31 0/000.460.0673 CHAIN ROLLER ATTACHMENT BOLT
- 32 0/000.460.0622 PASSENGER FOOTREST BOLT
- 33 0/000.740.0330 LEFT-HAND PASSENGER FOOTREST
- 34 0/000.340.0170 PASSENGER FOOTREST NUT
- 35 0/000.980.5108 LEFT-HAND PASSENGER FOOTREST HOLDER
- 36 0/000.460.0670 FOOTREST HOLDER BOLT
- 37 0/000.340.0181 FOOTREST HOLDER WASHER
- 38 0/000.010.5007 MRT REAR CHASSIS
- 39 0/000.460.6215 DIN912 M10X80 BOLT
- 40 0/000.440.0160 REAR CHASSIS ATTACHMENT WASHER
- 41 0/000.440.0160 REAR CHASSIS ATTACHMENT WASHER
- 42 0/000.340.0187 REAR CHASSIS ATTACHMENT NUT
- 43 0/000.980.5107 RIGHT-HAND PASSENGER FOOTREST HOLDER
- 44 0/000.340.0170 PASSENGER FOOTREST NUT
- 45 0/000.740.0330 RIGHT-HAND PASSENGER FOOTREST
- 46 0/000.460.0622 PASSENGER FOOTREST BOLT
- 47 0/000.340.0182 RIDER FOOTREST NUT
- 48 0/000.740.0300 RIGHT-HAND RIDER FOOTREST
- 49 0/000.480.0215 INNER RIGHT-HAND RIDER FOOTREST BUSHING
- 50 0/000.470.5001 RIDER FOOTREST SPRING
- 51 0/000.460.5100 RIDER FOOTREST BOLT
- 52 0/000.980.5017 HEADLAMP HOLDER
- 53 0/000.980.5019 SOPORTE CTA KMS.
- 54 0/000.460.1170 UPPER HEADLAMP ATTACHMENT BOLT
- 55 0/000.440.0123 SWING ARM SHAFT WASHER
- 56 0/000.190.8001 SWING ARM SHAFT
- 57 0/000.460.8000 PADDOCK STAND SPECIAL BOLT
- 58 0/000.360.5006 RUBBER FOOT PROTECTOR
- 59 0/000.410.0361 TAPON DOLLA CARTELA
- 60 0/000.330.0080 REMACHE CON ROSCA M6
- 61 0/000.390.5139 IT TRACES TILTED
- 62 0/000.960.0511 RODAMIENTO AGUJAS
- 63 0/000.260.5002 TILTED SEPARATOR
- 64 0/000.990.5004 RETEN RODAMIENTO
- 65 0/000.630.7002 GRAPA FIJACION TUBO FRENO TRASERO
- 66 0/000.980.5035 SOPORTE CTA KMS KOSO 2015 (HORQUILLA MARZOCCHI

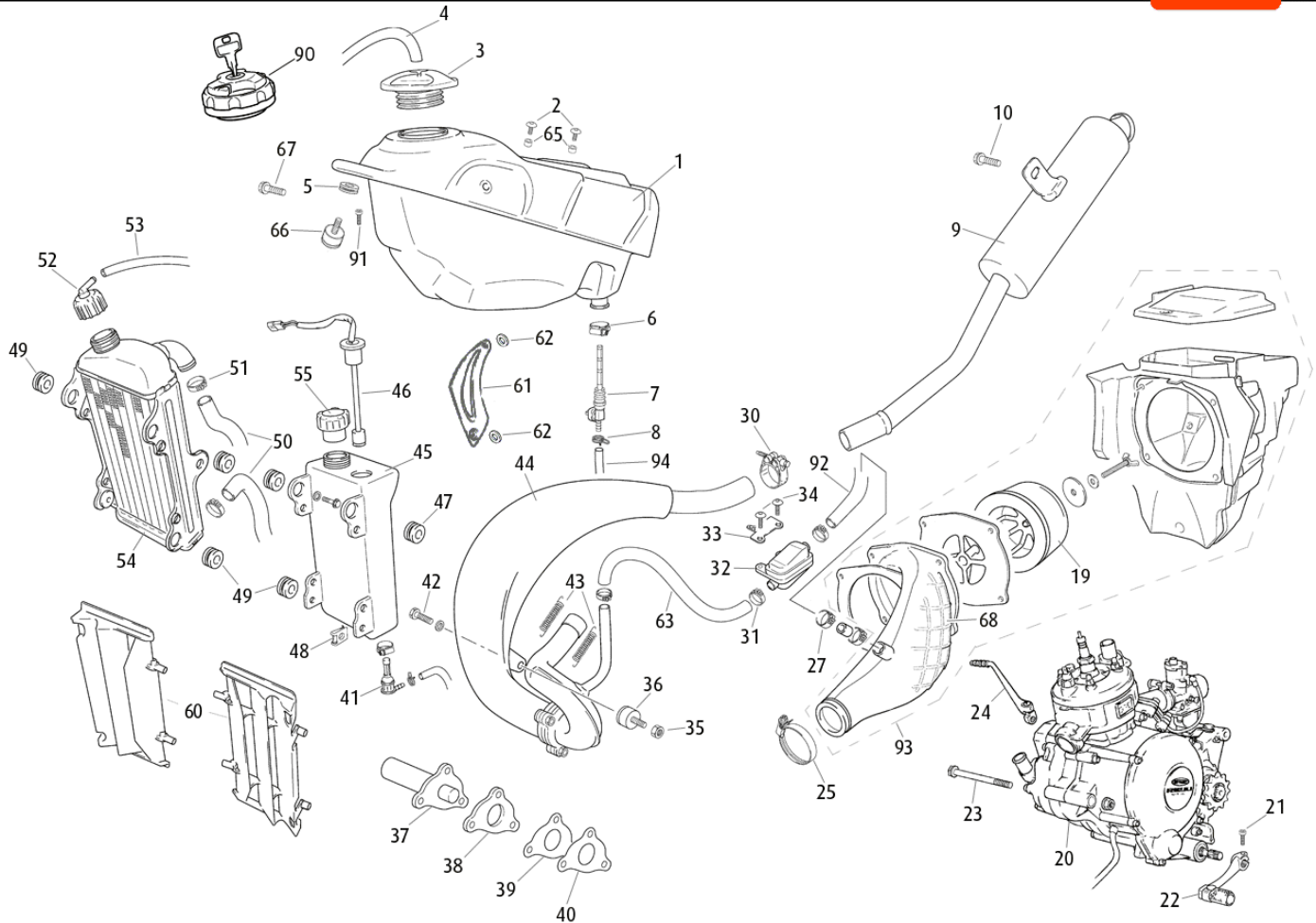
78 0/000.980.5037 SOPORTE CTA KMS KOSO 2015 (HORQUILLA RV16 OLLE

CONJUNTOS / KITS  
 40 = JUEGO DE CALCAS  
 / Jeu de calques  
 / DECAL SET



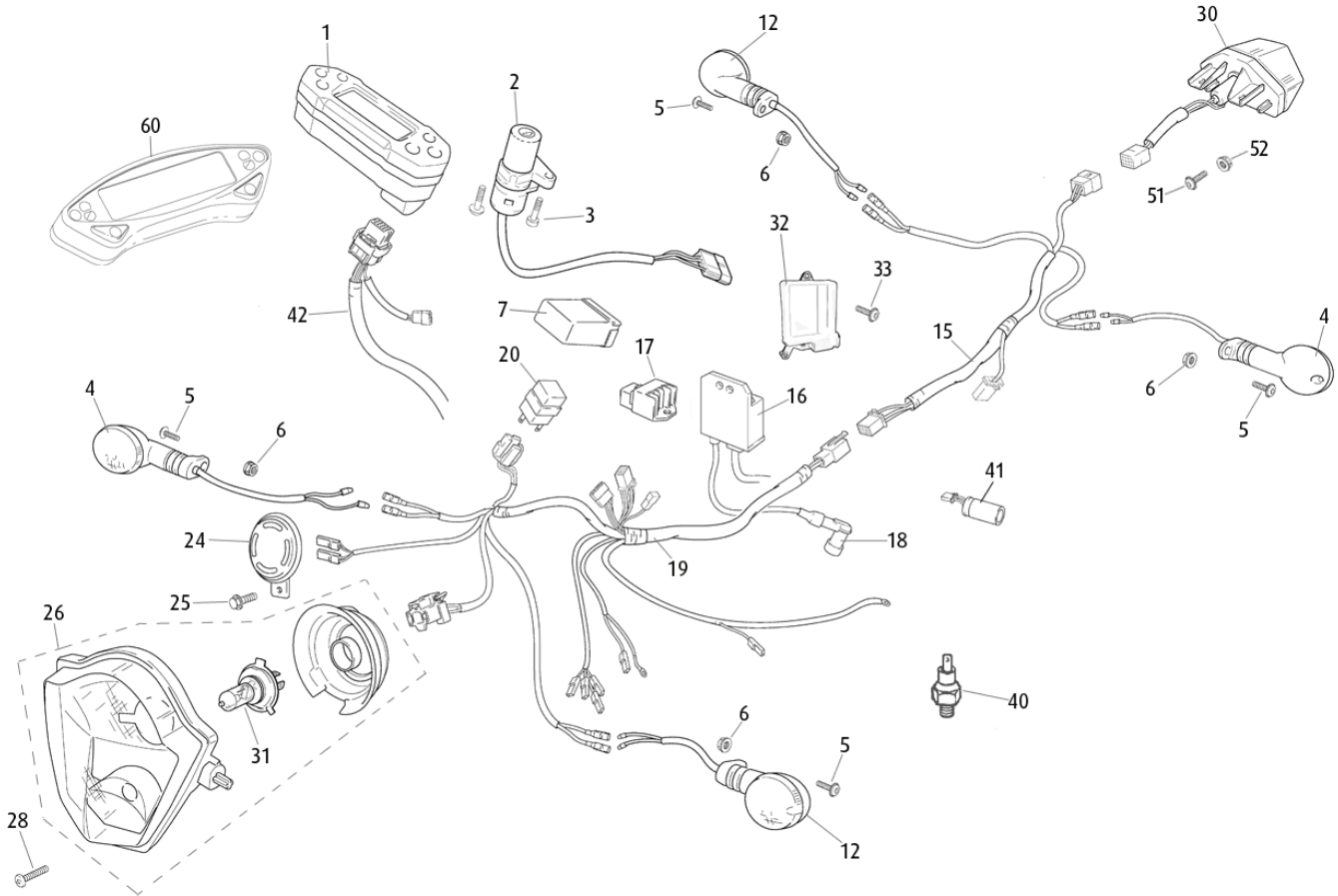
02 MRT\p15\PLASTICS

- 1 0/000.040.5357 SEAT MRT PRO 2015 GREEN
- 2 0/R00.570.5065 LATERAL PLATE GREEN LEFT MRT PRO FREE JUMP
- 3 0/R00.570.5064 LATERAL PLATE GREEN RIGHT MRT PRO FREE JUMP
- 4 0/000.480.0712 SIDE PLATE WASHER
- 5 0/000.460.1182 SIDE PLATE ATTACHMENT BOLT
- 6 0/000.460.1182 SIDE PLATE ATTACHMENT BOLT
- 7 0/000.480.0712 SIDE PLATE WASHER
- 8 0/000.460.0756 HEADLAMP BRACKET PLASTIC SUPPORT ATTACHMENT BO
- 10 0/R00.060.5005 GREEN MUDGUARD MRT PRO FREE JUMP
- 11 0/000.060.5110 TAILPIECE REAR MUDGUARD
- 12 0/000.460.5101 TAILPIECE REAR MUDGUARD ATTACHMENT BOLT
- 13 0/000.630.0530 REAR MIRROR LENS (ROUND)
- 14 0/000.200.8000 SHOCK ABSORBER PROTECTOR PLASTIC
- 15 0/000.480.0712 SIDE PLATE WASHER
- 16 0/000.460.1182 SIDE PLATE ATTACHMENT BOLT
- 17 0/000.460.1182 SIDE PLATE ATTACHMENT BOLT
- 18 0/000.200.0400 CHAIN GUARD
- 19 0/000.460.1170 CHAIN GUARD ATTACHMENT BOLT
- 20 0/000.460.0285 OUTPUT PINION PROTECTOR COVER ATTACHMENT BOLT
- 21 0/000.220.0510 OUTPUT PINION PROTECTOR COVER
- 22 0/000.460.3031 RADIATOR PLATE ATTACHMENT BOLT
- 23 0/000.480.0712 RADIATOR PLATE ATTACHMENT WASHER
- 24 0/R00.570.5063 RADIATING PLATE LEFT MRT PRO FREE JUMP
- 25 0/000.480.0712 RADIATOR PLATE ATTACHMENT WASHER
- 26 0/000.460.1189 RADIATOR PLATE ATTACHMENT BOLT
- 27 0/000.460.0600 FRONT MUDGUARD ATTACHMENT BOLT
- 28 0/R00.050.5007 FRONT MUDGUARD MRT FREE JUMP GREEN
- 29 0/000.620.5302 FRONT MUDGUARD SUPPORT PLATE
- 30 0/000.480.0712 RADIATOR PLATE ATTACHMENT WASHER
- 31 0/000.460.3031 RADIATOR PLATE ATTACHMENT BOLT
- 32 0/R00.570.5062 RADIATING PLATE RIGHT MRT PRO FREE JUMP GREEN
- 33 0/000.460.3031 RADIATOR PLATE ATTACHMENT BOLT
- 34 0/000.480.0712 RADIATOR PLATE ATTACHMENT WASHER
- 35 0/R00.620.5010 GREEN FRONT HEADLAMP HOLDER
- 36 0/000.620.5301 HEADLAMP HOLDER PLASTIC SUPPORT
- 37 0/000.480.0712 SIDE PLATE WASHER
- 38 0/000.630.0551 TAILPIECE REAR MUDGUARD REFLECTOR
- 39 0/000.220.0591 RADIATOR GUARD SET
- 40 0/000.390.5143 FREE JUMP MRT SHIM SET
- 41 0/000.770.5704 WHITE PROTECTOR HANDS
- 42 0/000.220.5100 PROTECTIVE PUMP BACK BRAKE



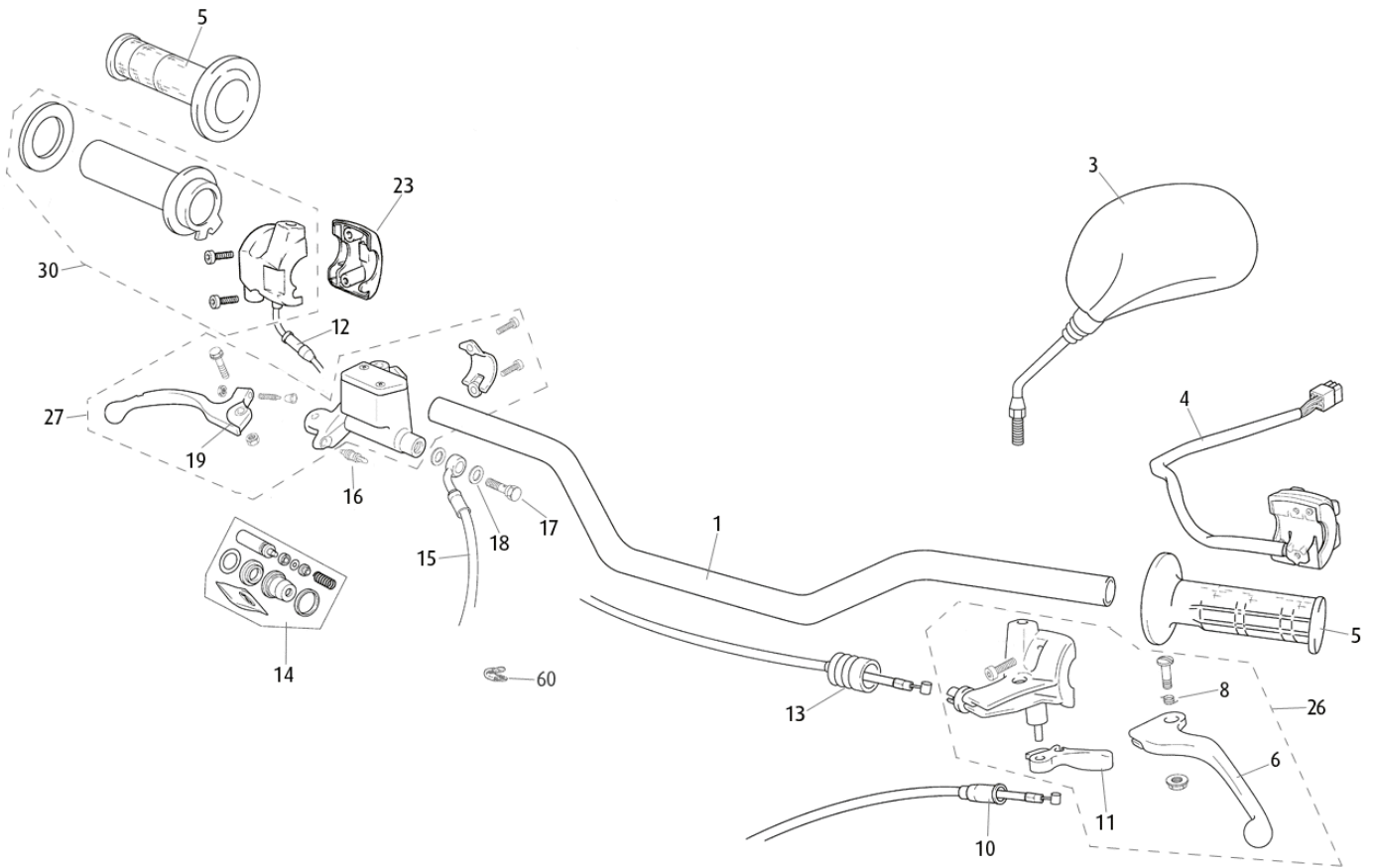
03 MRT\p15\DEPOSIT, ESCAPE TUBE AND RADIATOR

- 1 0/000.030.5005 FUEL TANK WITH FUEL COCK 2010
- 2 0/000.460.1182 FUEL TANK ATTACHMENT BOLT
- 3 0/000.410.5300 FUEL TANK CAP
- 4 0/000.290.0570 FUEL CAP VENT HOSE
- 5 0/000.360.5012 TANK TO CHASSIS SUPPORT PAD
- 6 0/000.680.0520 FUEL COCK CLAMP
- 7 0/000.370.0502 FUEL COCK
- 8 0/000.680.0510 FUEL PIPE TO COCK CLAMP
- 9 0/000.870.5032 SILENCIOSO ESCAPE MRT PRO
- 10 0/000.460.0600 EXHAUST SILENCER ATTACHMENT BOLT
- 19 0/001.070.5101 FILTER MASS
- 20 0/005.082.0338 FULL ENGINE
- 21 0/000.460.0310 GEARCHANGE PEDAL BOLT
- 22 0/005.430.0031 GEARCHANGE PEDAL
- 23 0/000.460.0550 ENGINE ATTACHMENT BOLT
- 24 0/005.430.5003 KICK START PEDAL
- 25 0/000.680.7002 FILTER BOX RUBBER CLAMP
- 27 0/000.680.8000 HOSE CLAMP
- 30 0/000.680.6200 EXHAUST CLAMP
- 31 0/000.680.0534 HOSE CLAMP
- 32 0/000.640.0002 AIS VALVE
- 33 0/000.980.5105 AIS VALVE HOLDER
- 34 0/000.460.1704 AIS VALVE ATTACHMENT BOLT
- 35 0/000.340.0181 SILENTBLOC ATTACHMENT NUT
- 36 0/000.360.8102 EXHAUST SILENTBLOC
- 37 0/000.660.5009 PLATINA TUBE ESCAPES WITH REDUCER
- 38 0/000.660.2020 EXHAUST PLATE
- 39 0/000.490.2000 EXHAUST CATALYSER GASKET
- 40 0/000.490.2000 EXHAUST CATALYSER GASKET
- 41 0/000.370.0440 OIL TANK COCK
- 42 0/000.460.0339 EXHAUST SILENTBLOC ATTACHMENT BOLT
- 43 0/005.460.1070 EXHAUST SPRING
- 44 0/000.290.5069 TUBO ESCAPE MRT PRO
- 45 0/000.030.5004 OIL TANK
- 46 0/000.410.5001 OIL LEVEL SENSOR
- 47 0/000.360.5013 OIL TANK SILENTBLOC
- 48 0/000.340.5101 TAPPING NUT
- 49 0/000.360.5013 OIL TANK SILENTBLOC
- 50 0/000.640.5020 RADIATOR HOSE SET
- 51 0/000.680.0550 RADIATOR HOSE CLAMPS
- 52 0/000.410.5102 RADIATOR CAP
- 53 0/000.290.0630 RADIATOR WATER RELIEF PIPE
- 54 0/000.580.5100 RADIATOR
- 55 0/000.410.0600 OIL TANK CAP
- 60 0/000.220.0591 RADIATING PROTECTOR
- 61 0/000.220.5011 EXHAUST GUARD PAINTED MRT 2010
- 62 0/000.440.6000 ARANDELA ANTICALORICA 20x5x1
- 63 0/000.640.5021 PIPE VALVE
- 65 0/000.480.0710 SEPARADOR TILLO. DEPOSITO
- 66 0/000.480.5017 SEPARADOR DELANTERO DEPOSITO
- 67 0/000.460.2006 TORNILLO FIJ. DEPOSITO MRT M6x35
- 68 0/000.360.5010 FILTER BOX TO CARBURETTOR JOIN RUBBER
- 90 0/000.410.5301 FUEL TANK CAP LOCKING W/KEY
- 91 0/000.480.5017 TORNILLO TOPE DEPOSITO
- 92 0/000.640.5023 MANGUITO VALVULA AIS/FILTRO
- 93 0/000.910.5202 COMPLETE FILTER BOX
- 94 0/000.290.0643 TUBO COPOLAN 5x10x210



04 MRT\p15\SYSTEM ELECTRICS AND LIGHTS

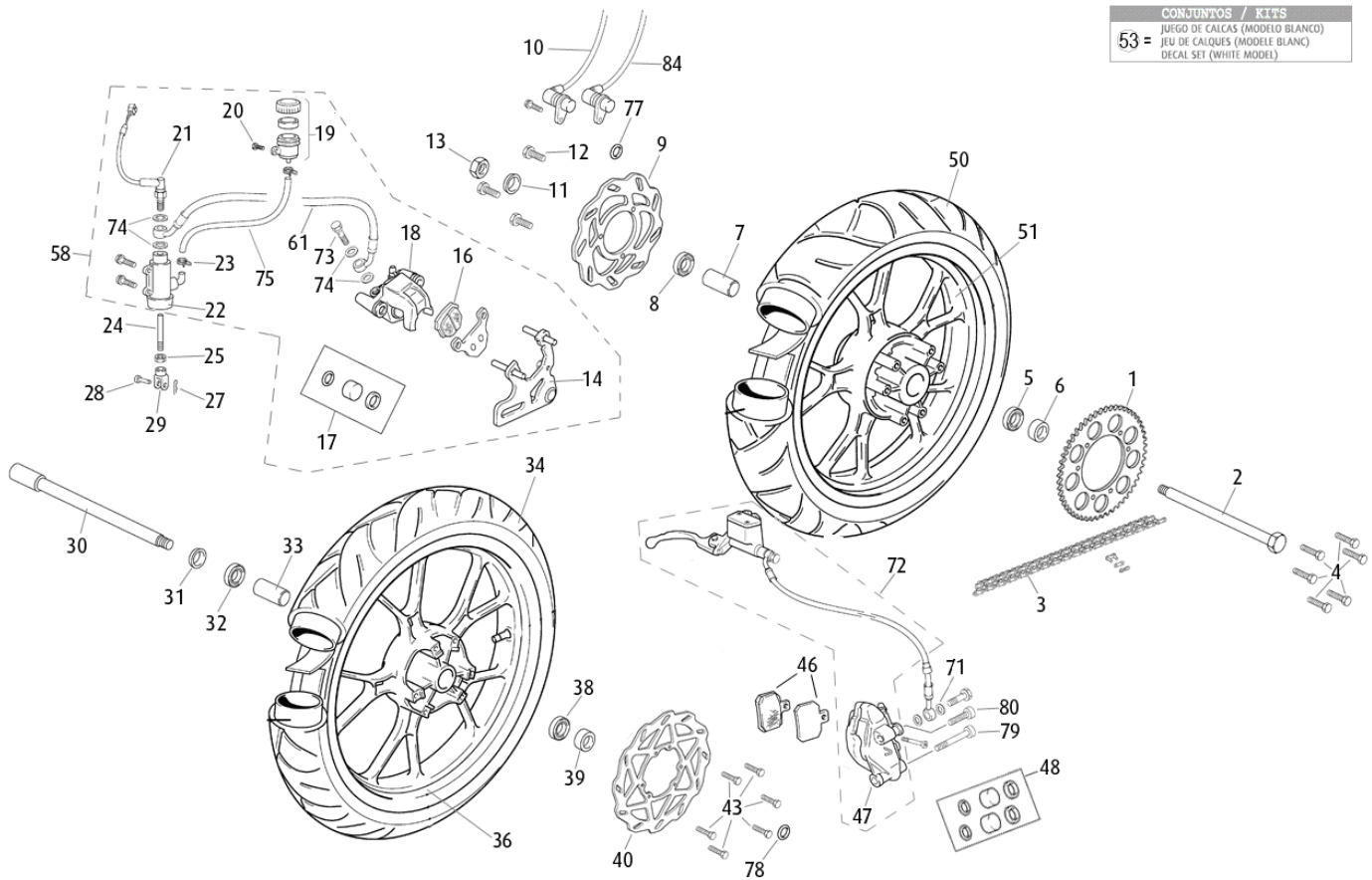
- 1 0/001.000.2102 DIGITAL PANEL KOSO
- 2 0/001.060.0041 IGNITION KEY BARREL
- 3 0/000.460.2003 IGNITION KEY BARREL BOLT
- 4 0/000.150.2100 RIGHT-HAND FRONT INDICATOR
- 5 0/000.460.1170 INDICATOR ATTACHMENT BOLT
- 6 0/000.340.0172 INDICATOR ATTACHMENT NUT
- 7 0/005.705.3880 SWITCHBOARD C.D.I.
- 12 0/000.150.2200 LEFT-HAND FRONT INDICATOR LIGHT
- 15 0/000.160.5012 REAR SYSTEM
- 16 0/005.702.1500 OUTER COIL
- 17 0/005.070.6604 CURRENT REGULATOR
- 18 0/005.110.2022 SPARK PLUG CAP
- 19 0/000.160.5022 CENTRAL SYSTEM
- 20 0/001.200.5032 FLASHER UNIT
- 23 0/000.850.0055 FRONT HEADLAMP BULB
- 24 0/000.420.5000 HORN (AC) WITH 3 PINS REGULATOR
- 24 0/000.420.5010 HORN (DC) WITH 5 PINS REGULATOR
- 25 0/000.460.0600 HORN ATTACHMENT BOLT
- 26 0/000.600.0260 COMPLETE HEADLAMP BEAM UNIT
- 28 0/000.460.0786 HEADLAMP BEAM UNIT BUSHING BOLT
- 30 0/000.150.2020 COMPLETE REAR LIGHT
- 31 0/000.850.9000 BOMBILLA H4 35/35 12V.
- 32 0/000.350.5011 TAPA BOBINA EXTERIOR
- 33 0/000.460.1190 TILLO. ESP. PLASTICO MX12
- 40 0/000.460.1151 TORNILLO SENSOR TEMPERATURA 117o
- 40 0/000.460.1150 TORNILLO SENSOR TEMPERATURA 112o
- 41 0/001.200.5034 CONDENSER MRT POWER UP
- 42 0/000.160.5023 ODOMETER INSTALLATION
- 51 0/000.460.5101 BOLT
- 52 0/000.340.0016 RING NUT
- 60 0/001.000.2105 ODOMETER KOSO EX-02



05 MRT\p15\MANILLARES AND CONTROLS

- 1 0/000.170.0550 HANDLEBARS
- 3 0/000.990.8001 LEFT-HAND MIRROR
- 4 0/000.720.5000 LIGHTS COMMUTATOR
- 5 0/000.530.5010 HANDLEBAR RUBBER GRIP SET
- 6 0/000.830.1002 SINGLE CLUTCH LEVER
- 8 0/000.470.6060 ELIMINATED OF PRODUCTION. IT IS NOT POSSIBLE T
- 10 0/000.550.5002 STARTER CABLE
- 11 0/000.830.5110 SINGLE STARTER LEVER
- 12 0/000.550.5005 FUEL CABLE
- 13 0/000.550.5007 CLUTCH CABLE
- 14 0/000.640.0451 BRAKE PUMP REPAIR KIT
- 15 0/000.290.0259 FRONT BRAKE HOSE
- 16 0/000.720.0070 FRONT BRAKE STOP SWITCH
- 17 0/000.460.1300 BRAKE HOSE BOLT
- 18 0/000.440.1040 BRAKE HOSE BOLT WASHER
- 19 0/000.830.1001 SINGLE FRONT BRAKE LEVER
- 23 0/000.350.5001 RIGHT-HAND COMMUTATOR SINGLE COVER
- 26 0/000.830.5001 FULL CLUTCH LEVER
- 27 0/000.820.0315 FULL FRONT BRAKE PUMP
- 28 0/000.680.0100 BRAKE PUMP ATTACHMENT CLAMP
- 30 0/000.530.5000 FULL THROTTLE TWIST GRIP
- 60 0/000.360.3001 RUBBER HOLDER

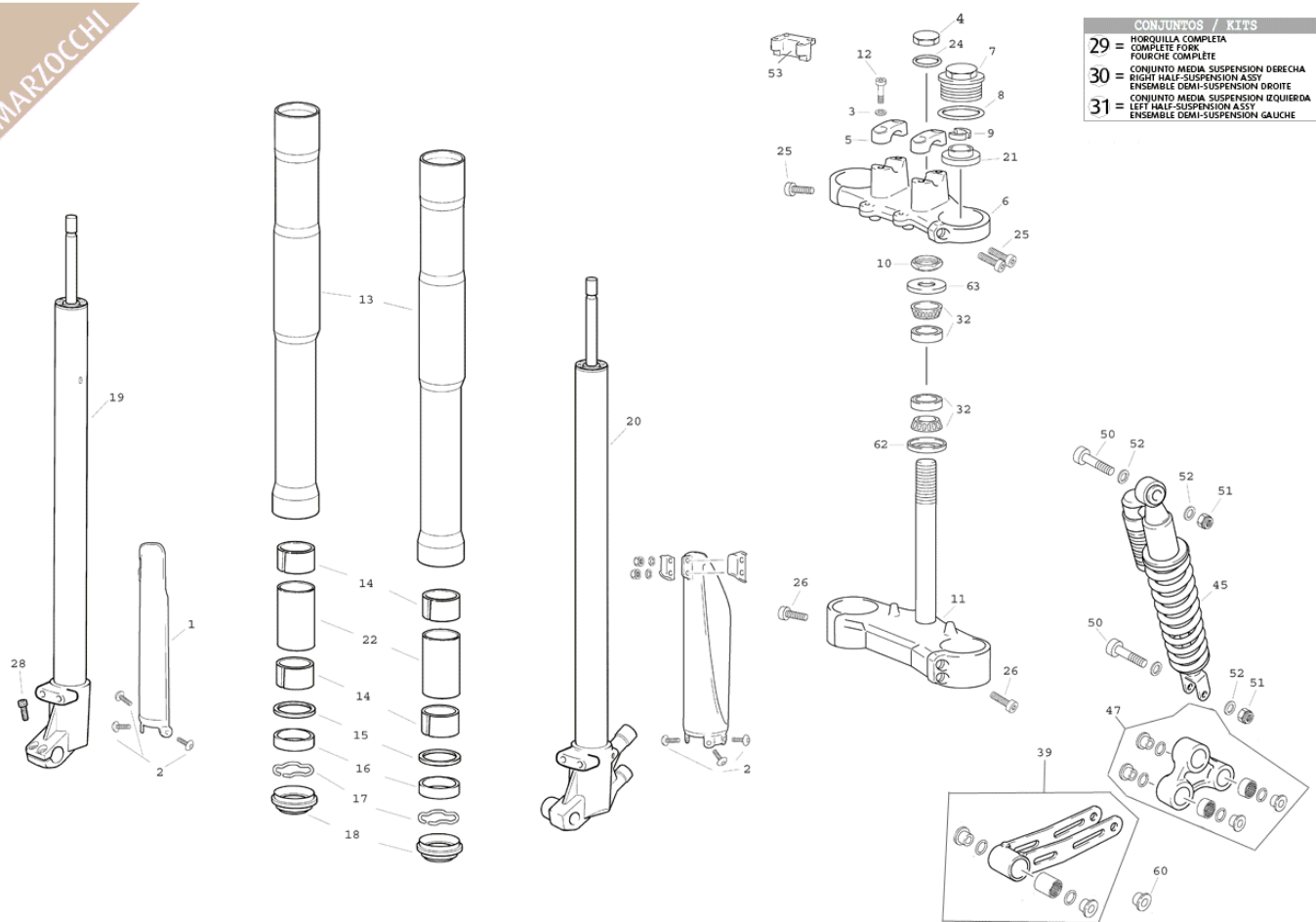
CONJUNTOS / KITS  
 53 = JUEGO DE CALCAS (MODELO BLANCO)  
 JEU DE CALQUES (MODELE BLANC)  
 DECAL SET (WHITE MODEL)



06 MRT\p15\WHEELS AND CONTROLS

- 1 0/000.500.5104 DRIVE PLATE DUAL GOLD Z=52
- 2 0/000.190.5303 REAR WHEEL SHAFT
- 3 0/001.050.0202 CHAIN
- 4 0/000.460.0670 DRIVE PLATE BOLT
- 5 0/000.960.0050 WHEEL BEARING
- 6 0/000.480.8000 WHEEL SEPARATOR
- 7 0/000.480.5040 INTERNAL SEPARATOR
- 8 0/000.960.0050 WHEEL BEARING
- 9 0/001.090.0260 REAR BRAKE DISC
- 10 0/001.010.2102 SPEED SENSOR FOR KOSSO PANEL
- 11 0/000.440.0123 BRAKE DISC SEPARATOR
- 12 0/000.460.0723 BRAKE DISC BOLT
- 13 0/000.340.0186 REAR SHAFT NUT
- 14 0/000.980.0747 REAR BRAKE CALIPER HOLDER
- 16 0/000.930.0090 REAR DISC BRAKE PAD SET
- 17 0/000.640.0453 REAR BRAKE CALIPER REPAIR KIT
- 18 0/000.860.5112 REAR BRAKE CALIPER W/ HOLDER
- 19 0/000.030.0170 BRAKE FLUID TANK
- 20 0/000.460.0600 BRAKE FLUID ATTACHMENT BOLT
- 21 0/000.720.0075 REAR BRAKE SWITCH
- 22 0/000.820.0310 SINGLE REAR BRAKE PUMP
- 23 0/000.680.0500 BRAKE PUMP HOSE CLAMP
- 24 0/000.240.5001 BRAKE PUMP PUSHROD
- 25 0/000.340.0130 BRAKE PUMP PUSHROD NUT
- 27 0/000.840.0060 PIN CLIP
- 28 0/000.840.0090 BRAKE LEVER PIN
- 29 0/000.130.0150 BRAKE PEDAL FORK
- 30 0/000.190.0000 MRT PRO SHFT KIT 2013
- 31 0/000.480.5014 FRONT WHEEL SHAFT SEPARATOR
- 32 0/000.960.0050 FRONT WHEEL BEARING
- 33 0/000.480.5031 FRONT WHEEL SEPARATOR
- 34 0/000.510.0502 FRONT WHEEL TYRE 80/90-21
- 35 0/000.520.0502 FRONT WHEEL CHAMBER 80/90
- 36 0/000.230.0803 SINGLE FRONT WHEEL RIM
- 37 0/000.540.5005 FRONT WHEEL SPOKES
- 38 0/000.960.0050 FRONT WHEEL BEARING
- 39 0/000.480.5032 FRONT WHEEL SEPARATOR
- 40 0/001.090.0212 FRONT BRAKE DISC D.300
- 43 0/000.460.0693 FRONT BRAKE DISC ATTACHMENT BOLT
- 44 0/000.460.0350 FRONT BRAKE CALIPER BOLT
- 46 0/000.930.8000 FRONT BRAKE PAD SET
- 47 0/000.860.8000 SINGLE FRONT BRAKE CALIPER
- 48 0/000.640.8020 FRONT BRAKE CALIPER REPAIR KIT
- 50 0/000.510.0512 REAR WHEEL TYRE 110/80-18
- 51 0/000.230.0853 SINGLE REAR WHEEL RIM
- 52 0/000.080.0120 SINGLE REAR WHEEL SPOOL
- 53 0/000.520.0512 REAR WHEEL CHAMBER 110/120-18
- 54 0/000.540.0160 REAR WHEEL SPOKES
- 55 0/000.540.5011 REAR WHEEL SPOKES
- 56 0/000.070.0120 SINGLE FRONT WHEEL SPOOL
- 58 0/000.820.0765 FULL REAR BRAKE ASSEMBLY
- 59 0/000.110.5440 COMPLETE FRONT WHEEL ASSEMBLY W/O RUBBER
- 60 0/000.120.5440 COMPLETE REAR WHEEL ASSEMBLY W/O RUBBER
- 61 0/000.290.0263 LATIGUILLLO FRENO TRASERO
- 71 0/000.460.1040 CASQUILLO TORNILLO RACORD
- 72 0/000.820.0715 FULL FRONT BRAKE ASSEMBLY
- 73 0/000.460.1300 SCREW RACORD
- 74 0/000.440.1040 BOLT RACORD WASHER
- 75 0/000.290.0265 PIPE EPDM 325
- 77 0/000.440.0240 WASHER O6
- 78 0/000.440.0180 WASHER O8
- 79 0/000.460.0403 BOLT ALLEN M10 X 60
- 80 0/000.460.0400 BOLT ALLEN M10 X 40
- 84 0/001.010.2102 SENSOR CTAKMS 2015

MARZOCCHI



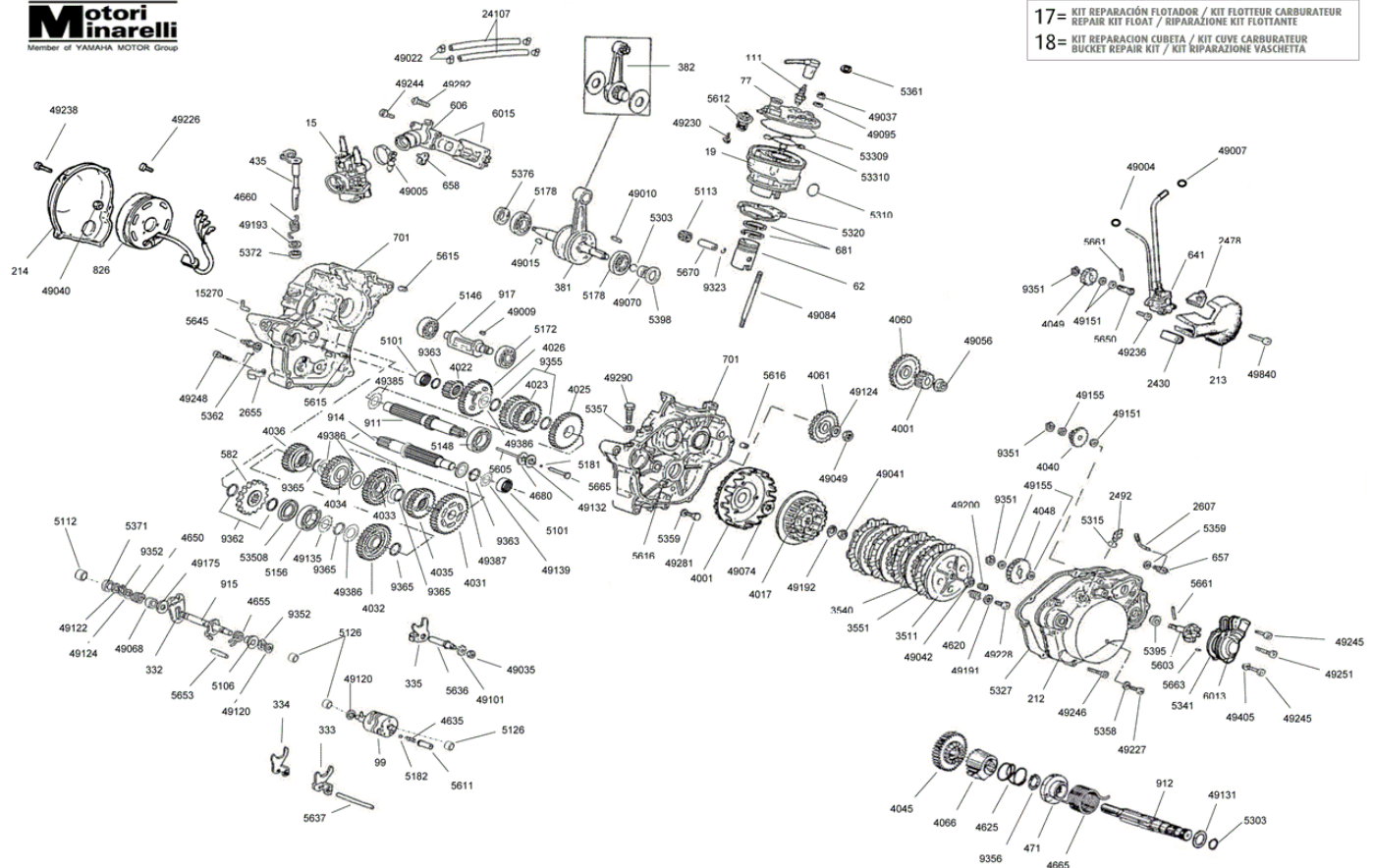
CONJUNTOS / KITS  
 29 = HORQUILLA COMPLETA  
 COMPLETE FORK  
 FOURCHE COMPLETE  
 30 = CONJUNTO MEDIA SUSPENSION DERECHA  
 RIGHT HALF-SUSPENSION ASSY  
 ENSEMBLE DEMI-SUSPENSION DROITE  
 31 = CONJUNTO MEDIA SUSPENSION IZQUIERDA  
 LEFT HALF-SUSPENSION ASSY  
 ENSEMBLE DEMI-SUSPENSION GAUCHE

07 MRT\p15\SUSPENSION

- 1 0/000.220.5007 JUEGO PROTECTOR HORQUILLA
- 2 0/000.460.4100 TORNILLO FIG.PROTECTOR HORQUILLA
- 3 0/000.440.4000 SPECIAL WASHER
- 4 0/000.340.4000 UPPER NUT
- 5 0/000.350.6003 LOCK HANDLEBAR COVER GOLDEN
- 6 0/000.660.4002 PLATINA SUPERIOR PARA HORQUILLA COLOR ORO
- 7 0/000.640.4000 PLUG
- 8 0/000.300.4000 UPPER PLUG JOINS
- 9 0/000.440.4001 SPRING STOP WASHER
- 10 0/000.340.4001 LOWER NUT
- 11 0/000.660.4001 LOWER PLATE SILVER
- 12 0/000.460.4101 SCREW M8X30
- 13 0/000.880.4001 PIERNA DERECHA/IZQ. HORQUILLA COLOR ORO
- 14 0/000.260.4000 OIL SEAL BUSH
- 15 0/000.440.4002 WASHER
- 16 0/000.890.4000 FORK RETAINER
- 17 0/000.300.4001 CIRCLIP
- 18 0/000.890.4001 FORK SCRAPER RETAINER
- 19 0/000.290.4001 TUBE MAIN RIGHT LEG
- 20 0/000.290.4002 TUBE MAIN LEFT LEG
- 21 0/000.300.4002 UPPER BAR CAP
- 22 0/000.290.4003 INTERNAL TUBEFORK LEG
- 24 0/000.440.4003 ARAND.TUERCA TIJA Q35 X 25 X 1
- 25 0/000.460.4102 SCREW M8X35
- 26 0/000.460.4103 SCREW M8X35
- 28 0/000.460.4104 SCREW
- 29 0/000.130.5103 HORQUILLA COMPLETA COLOR ORO
- 30 0/000.640.4003 CJTO MEDIAS SUSP.DERECHA COLOR ORO
- 31 0/000.640.4004 CJTO MEDIAS SUSP.IZQUIERDA COLOR ORO
- 32 0/000.960.0200 STEERING BEARING
- 39 0/000.770.0105 COMPLETE LINK 2009
- 45 0/000.180.6001 SHOCK ABSORBER
- 47 0/000.980.5103 SUPORT TRAPEZE ROD
- 50 0/000.460.0403 SHOCK ABSORBER ATTACHMENT BOLT
- 50 0/000.340.0182 SHOCK ABSORBER BOLT NUT
- 52 0/000.440.0110 SHOCK ABSORBER BOLT WASHER
- 53 0/000.980.5104 SOPORTE CTA KMS.
- 60 0/000.480.5038 CASQUILLO REDUCTOR DIAMETRO T.LLO. BIELETA
- 62 0/000.200.7001 LOWER STEERING FORK DUST COVER
- 63 0/000.200.0001 UPPER STEERING FORK DUST COVER



CONJUNTOS / KITS  
 17= KIT REPARACIÓN FLOTADOR / KIT FLOTTEUR CARBURATEUR  
 REPAIR KIT FLOAT / RIPARAZIONE KIT FLOTTANTE  
 18= KIT REPARACIÓN CUBETA / KIT CUVE CARBURATEUR  
 BUCKET REPAIR KIT / KIT RIPARAZIONE VASCETTA



00 MRT\p15\ENGINE#j

- 99 0/005.090.0330 TREE
- 332 0/005.330.0217 FORK SENDS SELECTOR
- 333 0/005.330.0060 FORK CONTROL CHANGE 1a AND 3a
- 334 0/005.330.0070 FORK CONTROL CHANGE 2a AND 3a
- 335 0/005.330.0080 FORK CONTROL CHANGE 5a AND 6a
- 435 0/005.430.0320 WEIGH CLUTCH COMPLETE
- 657 0/005.650.1421 BRIDGE REGISTERS CABLE OIL PUMP PRICOL
- 657 0/005.650.1420 BRIDGE REGISTERS CABLE OIL PUMP
- 658 0/005.650.1410 BRIDGE CABLE CLUTCH
- 2467 0/005.240.2050 ENTERED MUFF DILUTES ON PUMP
- 2472 0/005.240.2117 INSERT VALVE OF SHEETS
- 2492 0/005.247.0547 PLUG FEEDING OIL
- 3551 0/005.350.3580 DISK LINED CLUTCH
- 4040 0/005.400.4787 INTERMEDIATE DOUBLE PINENUT Z = 13/24
- 4049 0/005.400.5757 PINENUT PUMP OILS
- 4610 0/005.460.1070 SPRING EXHAUST
- 4635 0/005.460.3510 SPRING RETAINS MARCH
- 4650 0/005.460.1967 SPRING RETAINS FORK SELECTOR
- 4655 0/005.460.2027 SPRING RETAINS LEVER SELECTOR
- 4660 0/005.460.2200 SPRING RECOVERY WEIGHS CLUTCH
- 4680 0/005.460.3010 WASHER-SPRING
- 5101 0/005.510.1029 CAGE OF ROLLERS DB 14-12
- 5106 0/005.510.1297 CAP FOR SELECTOR SPRING
- 5146 0/005.510.2039 BEARING 015 x 25 x 11
- 5148 0/005.510.2059 BEARING 017 x 40 x 12
- 5156 0/005.510.2159 BEARING 020 x 47 x 14
- 5172 0/005.510.2299 BEARING 017 x 40 x 12
- 5178 0/005.510.2652 BEARING 017 x 47 x 14
- 5181 0/005.510.4039 BALL 3/16"
- 5182 0/005.510.4079 BALL 09 MM
- 5308 0/005.530.1149 RING 019 x 1,2
- 5318 0/005.530.1329 RING OF RETENTION 011,8 x 2,4
- 5320 0/005.530.8020 (BOLSA 5 uds) JUNTA CILINDRO AM-5
- 5327 0/005.530.3640 (BOLSA 5 uds) JUNTA TAPA EMBRAGUE AM-5
- 5341 0/005.530.4000 (BOLSA 5 uds) JUNTA CUERPO BOMBA AGUA AM-5
- 5357 0/005.530.4710 SCREW GASKET
- 5358 0/005.530.4720 SCREW 6 x 12 OIL LEVEL GASKET
- 5359 0/005.530.4730 (BOLSA 5 uds) JUNTA FIBRA 8\*14
- 5361 0/005.530.4750 SCREW WATER EXIT 14,1 x 22 x 1 GASKET
- 5362 0/005.530.4790 NEUTRAL INDICATOR GASKET
- 5371 0/005.530.5019 (BOLSA 5 uds) RETEN DE 12\*22\*7 mm.
- 5372 0/005.530.5029 (BOLSA 5 uds) RETEN 15\*24\*5 mm.
- 5376 0/005.530.5069 (BOLSA 5 uds) RETEN DE 17\*35\*8
- 5395 0/005.530.5339 DETENT 10 x 18 x 8
- 5395 0/005.530.5339 (BOLSA 5 uds) RETEN 10\*18\*8 RST/80
- 5398 0/005.530.5379 (BOLSA 5 uds) RETEN 24x35x7 (VITON) LADO EMBR.
- 5603 0/005.560.0080 FASTENER BOMB DILUTES
- 5605 0/005.560.1460 BAR PUSHER CLUTCH 05 x 116,6
- 5611 0/005.560.2070 PIN
- 5612 0/006.050.0077 THERMOSTAT "BEHR THOMSON No 1085"
- 5615 0/005.560.2580 CRANKCASE GUIDE 011,5 x 12
- 5616 0/005.560.2610 CRANKCASE GUIDE 08,51 x 7,6
- 5636 0/005.560.9010 SHAFT 7,8 x 72
- 5637 0/005.560.9020 SHAFT 7,8 x 91,5
- 5640 0/005.560.3570 SWITCH DEAD POINT
- 5650 0/005.560.9777 SHAFT OIL PUMP
- 5653 0/005.560.9787 SHAFT
- 5661 0/005.560.4007 ROLLER 03 x 21,8 FOR PINENUT BOMB
- 5663 0/005.560.4017 ROLLER 04 x 10 BODY BOMB
- 5665 0/005.560.5510 PUSHER CLUTCH 013 IN HEAD
- 5670 0/005.560.6100 PISTON PIN
- 6013 0/005.600.1290 BODY BOMB DILUTES (FRAM.GT 832222)
- 6013 0/005.600.1280 BODY BOMB DILUTES (FRAM.LT 832221)
- 15270 0/005.150.6489 JOINT
- 15320 0/005.150.7690 BENT TUBE 40 GR. WITH SCREW AND NUT
- 49004 0/005.490.0479 BAND FOR TUBE OILS

- 49007 0/005.490.0269 BAND FOR ENTERED TUBE OILS TO THE BOMB
- 49009 0/005.490.1120 LOCKNUT 4 x 4 x 8
- 49010 0/005.490.1180 LOCKNUT 4 x 4 x 20 FOR SPROCKET
- 49015 0/005.490.1248 LOCKNUT 3 x 3,7 x 10 FLYWHEEL
- 49035 0/005.490.3059 METRIC NUT 7 x 5,5
- 49037 0/005.490.3570 (BOLSA 5 uds) TUERCA M1X1 AUTOBLOCANTE AM-5
- 49040 0/005.490.3490 (BOLSA 5 uds) TUERCA M10X1,25 FIJ.VOLANTE
- 49041 0/005.490.3370 METRIC NUT 12 x 1,25
- 49042 0/005.490.3240 METRIC NUT 14 x 1,25
- 49049 0/005.490.3420 METRIC NUT 12 x 1
- 49056 0/005.490.3470 (BOLSA 5 uds) TUERCA M-12x1.25 AM-5
- 49068 0/005.490.4127 SPACER 012,4 x 14,4 x 11
- 49074 0/005.490.4390 SPACER DRUM CLUTCH 013 x 30 x 4
- 49084 0/005.490.5140 METRIC SCREW 7 x 115
- 49095 0/005.490.6099 (BOLSA 5 uds) ARANDELA VISELADA
- 49101 0/005.490.6129 WASHER 07 JAGGED INTERIOR
- 49120 0/005.490.6406 (BOLSA 5 uds) ARANDELA 10 x 16 x 0,6 AM5
- 49122 0/005.490.6426 WASHER STEELS 012 x 17 x 0,6
- 49124 0/005.490.6440 WASHER STEELS 012,3 x 22
- 49132 0/005.490.6520 (BOLSA 5 uds) ARANDELA ACERO 17.2x30
- 49135 0/005.490.6556 WASHER STEELS 020,45 x 28 THICKNESS 0,6
- 49135 0/005.490.6554 (BOLSA 5 uds) ARANDELA 20.45x28
- 49139 0/005.491.6046 WASHER STEELS 014,5 x 27 THICKNESS 0,6
- 49139 0/005.491.6044 (BOLSA 5 uds) ARANDELA 14,5x27 ESP 0,4 EVOL
- 49139 0/005.491.6044 WASHER STEELS 014,5 x 27 THICKNESS 0,4
- 49151 0/005.491.6096 WASHER STEELS 08,4 x 16 x 0,6
- 49155 0/005.491.6130 WASHER STEELS 08,2 x 15 x 1
- 49175 0/005.490.6800 WASHER 012,75 x 28 x 1,5
- 49191 0/005.490.6890 WASHER 05 x 15 x 2
- 49192 0/005.490.7000 (BOLSA 5 uds) ARANDELA 5x15x2
- 49200 0/005.490.8010 SCREW CLUTCH M14 x 1,25 x 18
- 49226 0/005.490.9389 (BOLSA 5 uds) TILLO METALICO 4X10 EVOL
- 49227 0/005.490.8420 METRIC SCREW 6 x 6
- 49228 0/005.491.9049 (BOLSA 5 uds) TORNILLO 5x20
- 49230 0/005.490.8460 METRIC SCREW 4 x 10
- 49236 0/005.490.8529 METRIC SCREW 5 x 16
- 49238 0/000.460.0290 METRIC SCREW 6 x 20
- 49244 0/005.490.8619 METRIC SCREW 6 x 20
- 49245 0/000.460.0311 METRIC SCREW 6 x 25
- 49246 0/000.460.0320 METRIC SCREW 6 x 30
- 49248 0/005.490.8659 METRIC SCREW 6 x 40
- 49251 0/005.490.8689 METRIC SCREW 6 x 55
- 49281 0/005.490.9119 METRIC SCREW 8 x 10
- 49290 0/005.490.9220 METRIC SCREW 12 x 1,25
- 49386 0/005.491.7621 WASHER
- 49840 0/005.497.0669 METRIC SCREW 5 x 35
- 53508 0/005.530.5499 (BOLSA 5 uds) RETEN 20\*35\*7 DIN 3760





## AC\_MRT\p15\Accessories

- 1 0/000.410.5301 FUEL TANK CAP LOCKING WITH KEY
- 2 0/000.770.5704 WHITE HAND PROTECTORS
- 3 0/000.770.5703 BLACK HAND PROTECTORS
- 4 0/K00.570.0011 MRT PLASTICS KIT ORANGE/WHITE WITHOUT DECALS
- 5 0/K00.570.0014 MRT PLASTICS KIT ORANGE/BLACK WITHOUT DECALS
- 6 0/K00.570.0007 MRT PLASTICS KIT WHITE WITHOUT DECALS
- 7 0/K00.570.0012 MRT PLASTICS KIT BLACK/WHITE WITHOUT DECALS
- 8 0/K00.570.0013 MRT PLASTICS KIT WHITE/BLACK WITHOUT DECALS
- 9 0/K00.570.0008 MRT PLASTICS KIT BLACK WITHOUT DECALS
- 10 0/K00.570.0015 MRT PLASTICS KIT LITE BLACK WITH DECALS
- 11 0/K00.570.0004 MRT PLASTICS KIT METALLIC WITHOUT DECALS
- 12 0/K00.570.0003 MRT PLASTICS KIT CARBON WITHOUT DECALS
- 13 0/K00.570.0005 MRT PLASTICS CAMO WITHOUT DECALS
- 14 0/000.390.5098 ORANGE MRT 2012 DECAL SET
- 15 0/000.390.5097 WHITE MRT 2012 DECAL SET
- 16 0/000.390.5096 BLACK MRT 2012 DECAL SET
- 17 0/000.060.5112 REAR MUDGUARD/ LICENCE PLATE HOLDER 2011
- 18 0/K00.980.5000 LUGGAGE RACK MRT
- 19 0/001.800.0001 NADSA LUGGAGE CASE (7KG MAX LOAD)
- 26 0/K00.115.0006 COMPLETE 17" RADIAL SPOKED WHEEL MRT 50 SM PRO
- 27 0/K00.115.0010 WHEEL SET SPOKED SILVER MRT 50 SM PRO
- 28 0/K00.115.0014 WHEEL SET 17" 10-SPOKED BLACK MRT SM
- 29 0/K00.220.5012 ALUMINIUM SUMP GUARD
- 30 0/000.500.5105 56 TOOTH REAR GOLD SPROCKET
- 31 0/000.500.5106 58 TOOTH REAR GOLD SPROCKET
- 32 0/000.500.5107 60 TOOTH REAR GOLD SPROCKET
- 33 0/000.870.5032 EXHAUST MRT PRO
- 36 0/005.718.2941 COMPLETE CYLINDER AM6