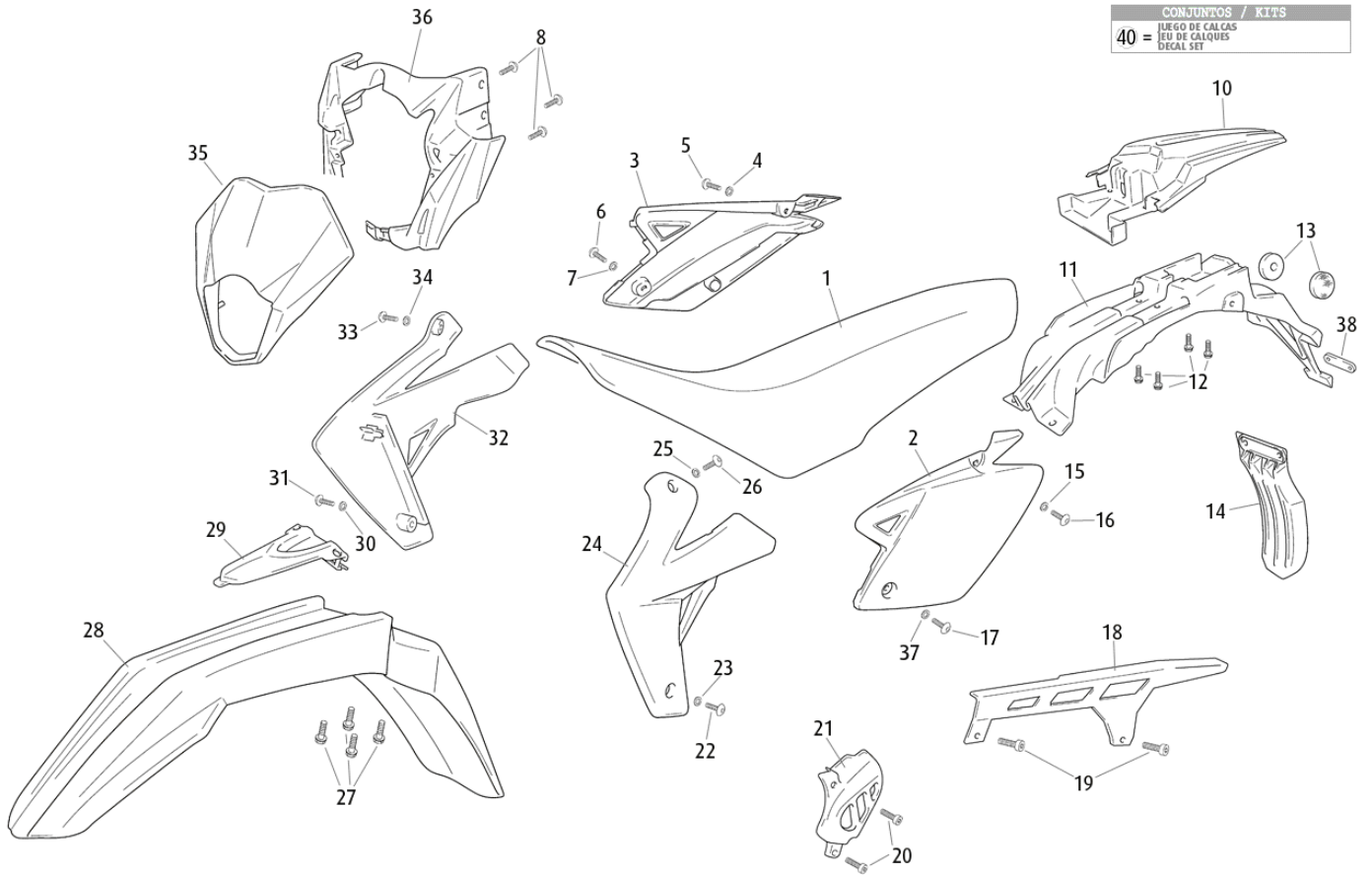


01 MRT\k9d\CHASSIS

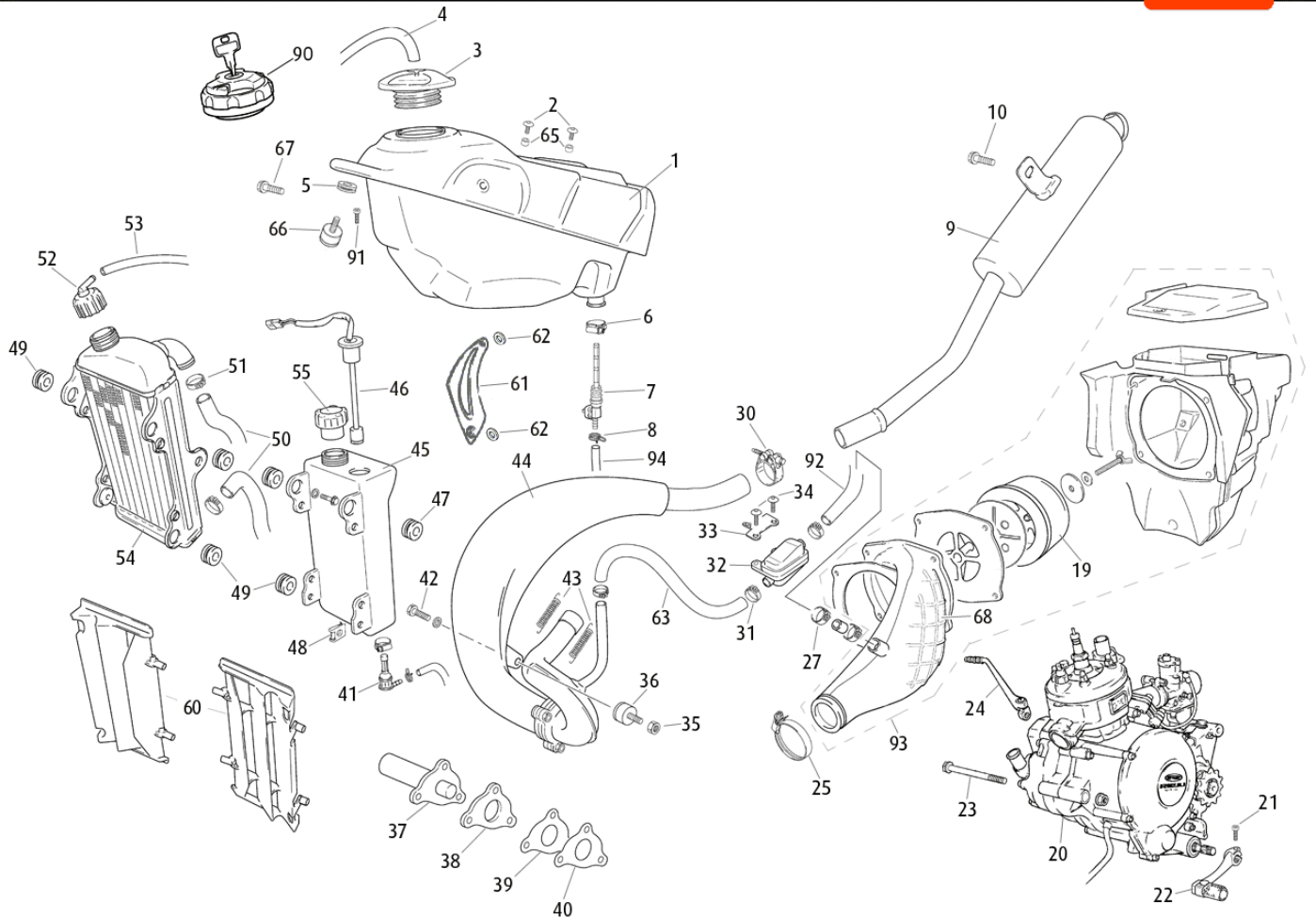
1	0/000.010.5006	FULL PAINTED CHASSIS
2	0/000.020.5211	FULL SWING ARM
3	0/000.380.5100	WHEEL TENSOR
4	0/000.460.0636	WHEEL TENSOR BOLT
5	0/000.340.0140	WHEEL TENSOR NUT
6	0/000.460.0623	REAR CHAIN GUIDE BOLT
7	0/000.710.0300	CHAIN GUIDE
8	0/000.340.0186	SWING ARM SHAFT NUT
9	0/000.440.0123	SWING ARM SHAFT WASHER
10	0/000.360.0370	SWING ARM SILENTBLOC
11	0/000.460.0745	CHAIN SLIDER PLATE THREAD SCREW
12	0/000.360.5001	CHAIN SLIDER
13	0/000.480.5016	SWING ARM SHAFT GUIDE BUSHING
14	0/000.340.0182	FOOTREST NUT
15	0/000.740.0311	LEFT-HAND RIDER FOOTREST
16	0/000.980.5102	PADDOCK STAND BOLT PIN
17	0/000.470.8000	PADDOCK STAND SPRING
18	0/000.480.0215	LEFT-HAND DRIVER FOOTREST INNER BUSHING
19	0/000.470.0201	INNER FOOTREST SPRING
20	0/000.460.5100	RIDER FOOTREST BOLT
21	0/000.210.8000	SIDESTAND
22	0/000.340.0181	BRAKE PEDAL NUT
23	0/000.470.5011	BRAKE LEVER SPRING
24	0/000.260.5001	INNER BRAKE LEVER BUSHING
25	0/000.730.6002	BRAKE LEVER MRT 2010
26	0/000.460.0491	BRAKE PEDAL BOLT
27	0/000.340.0181	CHAIN ROLLER NUT
28	0/000.440.0161	ROLLER WASHER
29	0/000.480.0645	CHAIN ROLLER INNER BUSHING
30	0/000.360.0792	CHAIN ROLLER
31	0/000.460.0673	CHAIN ROLLER ATTACHMENT BOLT
32	0/000.460.0622	PASSENGER FOOTREST BOLT
33	0/000.740.0330	LEFT-HAND PASSENGER FOOTREST
34	0/000.340.0170	PASSENGER FOOTREST NUT
35	0/000.980.5108	LEFT-HAND PASSENGER FOOTREST HOLDER
36	0/000.460.0670	FOOTREST HOLDER BOLT
37	0/000.340.0181	FOOTREST HOLDER WASHER
38	0/000.010.5007	MRT REAR CHASSIS
39	0/000.460.6215	DIN912 M10X80 BOLT
40	0/000.440.0160	REAR CHASSIS ATTACHMENT WASHER
41	0/000.440.0160	REAR CHASSIS ATTACHMENT WASHER
42	0/000.340.0187	REAR CHASSIS ATTACHMENT NUT
43	0/000.980.5107	RIGHT-HAND PASSENGER FOOTREST HOLDER
44	0/000.340.0170	PASSENGER FOOTREST NUT
45	0/000.740.0330	RIGHT-HAND PASSENGER FOOTREST
46	0/000.460.0622	PASSENGER FOOTREST BOLT
47	0/000.340.0182	RIDER FOOTREST NUT
48	0/000.740.0301	RIGHT-HAND RIDER FOOTREST
49	0/000.480.0215	INNER RIGHT-HAND RIDER FOOTREST BUSHING
50	0/000.470.0200	RIDER FOOTREST SPRING
51	0/000.460.5100	RIDER FOOTREST BOLT
52	0/000.980.5018	SOPORTE CTA RMS TABLIER KOSO (FRAM.GT 900583)
52	0/000.980.5016	SOPORTE CTA RMS TABLIER MAE (FRAM.LT 900582)
53	0/000.460.1170	UPPER HEADLAMP ATTACHMENT BOLT
54	0/000.440.0123	SWING ARM SHAFT WASHER
55	0/000.190.8001	SWING ARM SHAFT
56	0/000.460.8000	PADDOCK STAND SPECIAL BOLT
60	0/000.630.7002	GRAPA FIJACION TUBO FRENO TRASERO
61	0/000.410.0361	TAPON DOLLA CARTELA
62	0/000.330.0080	REMACHE CON ROSCA M6

CONJUNTOS / KITS
 40 = JUEGO DE CALZAS /
 JEU DE CALQUES /
 DECAL SET



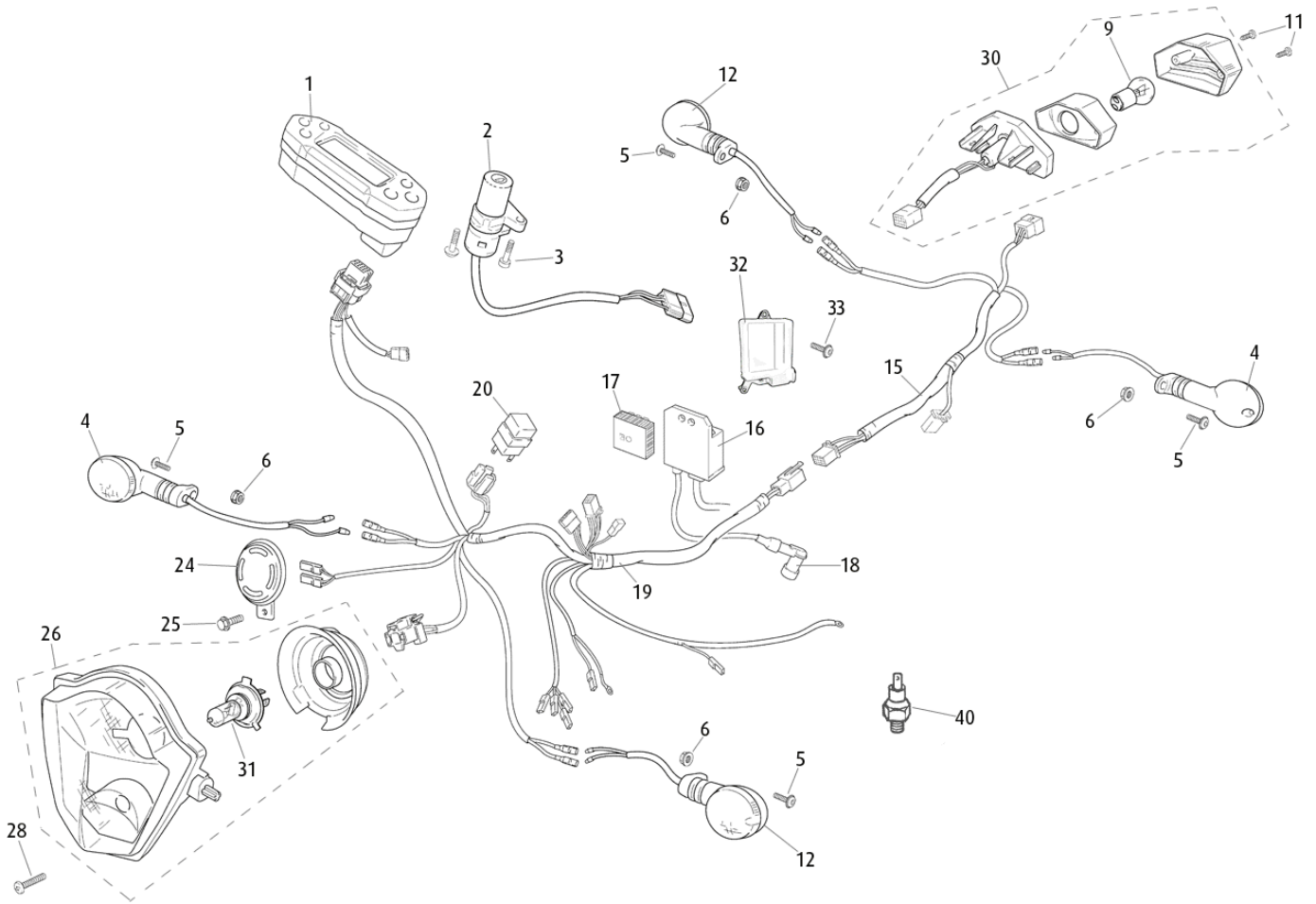
02 MRT\k9d\PLASTICS

- 1 0/000.040.5350 FULL SEAT
- 2 0/000.570.5053 WHITE LEFT-HAND REAR SIDE PLATE
- 2 0/000.570.5053 WHITE LEFT-HAND REAR SIDE PLATE
- 2 0/000.570.5053 WHITE LEFT-HAND REAR SIDE PLATE
- 2 0/000.570.5343 BLACK LEFT-HAND REAR SIDE PLATE
- 2 0/000.570.5339 WHITE LEFT-HAND REAR SIDE PLATE
- 3 0/000.570.5338 WHITE RIGHT-HAND REAR SIDE PLATE
- 3 0/000.570.5052 WHITE RIGHT-HAND REAR SIDE PLATE
- 3 0/000.570.5052 WHITE RIGHT-HAND REAR SIDE PLATE
- 3 0/000.570.5052 WHITE RIGHT-HAND REAR SIDE PLATE
- 3 0/000.570.5342 BLACK RIGHT-HAND REAR SIDE PLATE
- 4 0/000.480.0712 SIDE PLATE WASHER
- 5 0/000.460.1182 SIDE PLATE ATTACHMENT BOLT
- 6 0/000.460.1182 SIDE PLATE ATTACHMENT BOLT
- 7 0/000.480.0712 SIDE PLATE WASHER
- 8 0/000.460.0756 TORNILLO DIN 7981 M 4,2X9,5
- 10 0/000.060.5183 WHITE REAR MUDGUARD MRT 2011
- 10 0/000.060.5182 RED REAR MUDGUARD
- 10 0/000.060.5183 WHITE REAR MUDGUARD
- 10 0/000.060.5113 BLACK REAR MUDGUARD MRT 2011
- 10 0/000.060.5184 BLACK REAR MUDGUARD
- 11 0/000.060.5110 TAILPIECE REAR MUDGUARD
- 12 0/000.460.5101 TAILPIECE REAR MUDGUARD ATTACHMENT BOLT
- 13 0/000.630.0530 REAR MIRROR LENS (ROUND)
- 14 0/000.200.8000 SHOCK ABSORBER PROTECTOR PLASTIC
- 15 0/000.480.0712 SIDE PLATE WASHER
- 16 0/000.460.0340 BOLT M8X20
- 17 0/000.460.1182 SIDE PLATE ATTACHMENT BOLT
- 18 0/000.200.0400 CHAIN GUARD
- 19 0/000.460.1170 CHAIN GUARD ATTACHMENT BOLT
- 20 0/000.460.0285 OFFSET FENDER PROTECTOR COVER ATTACHMENT BOLT
- 21 0/000.220.0510 OUTPUT PINION PROTECTOR COVER
- 22 0/000.460.3031 RADIATOR PLATE ATTACHMENT BOLT
- 23 0/000.480.0712 RADIATOR PLATE ATTACHMENT WASHER
- 24 0/000.570.5057 WHITE LEFT-HAND RADIATOR PLATE
- 24 0/000.570.5059 BLACK LEFT-HAND RADIATOR PLATE
- 24 0/000.570.5055 RED LEFT-HAND RADIATOR PLATE
- 24 0/000.570.5345 BLACK LEFT-HAND RADIATOR PLATE
- 24 0/000.570.5341 WHITE/ORANGE LEFT-HAND RADIATOR PLATE
- 25 0/000.480.0712 RADIATOR PLATE ATTACHMENT WASHER
- 26 0/000.460.1189 RADIATOR PLATE ATTACHMENT BOLT
- 27 0/000.460.0600 FRONT MUDGUARD ATTACHMENT BOLT
- 28 0/000.050.5183 WHITE FRONT MUDGUARD
- 28 0/000.050.5183 WHITE FRONT MUDGUARD
- 28 0/000.050.5184 BLACK FRONT MUDGUARD
- 28 0/000.050.5186 BLACK FRONT MUDGUARD
- 28 0/000.050.5182 RED FRONT MUDGUARD
- 29 0/000.620.5302 FRONT MUDGUARD SUPPORT PLATE
- 30 0/000.480.0712 RADIATOR PLATE ATTACHMENT WASHER
- 31 0/000.460.3031 RADIATOR PLATE ATTACHMENT BOLT
- 32 0/000.570.5054 RED RIGHT-HAND RADIATOR PLATE
- 32 0/000.570.5056 WHITE RIGHT-HAND RADIATOR PLATE
- 32 0/000.570.5058 BLACK RIGHT-HAND RADIATOR PLATE
- 32 0/000.570.5344 BLACK RIGHT-HAND RADIATOR PLATE 2011
- 32 0/000.570.5340 WHITE RIGHT-HAND RADIATOR PLATE 2011
- 33 0/000.460.3031 RADIATOR PLATE ATTACHMENT BOLT
- 34 0/000.480.0712 RADIATOR PLATE ATTACHMENT WASHER
- 35 0/000.620.5324 BLACK FRONT HEADLAMP HOLDER MRT 2011
- 35 0/000.620.5308 BLACK FRONT HEADLAMP HOLDER
- 35 0/000.620.5307 WHITE FRONT HEADLAMP HOLDER
- 35 0/000.620.5306 RED FRONT HEADLAMP HOLDER
- 35 0/000.620.5323 WHITE/ORANGE FRONT HEADLAMP HOLDER
- 36 0/000.620.5301 HEADLAMP HOLDER PLASTIC SUPPORT
- 37 0/000.480.0712 SIDE PLATE WASHER
- 38 0/000.630.0551 TAILPIECE REAR MUDGUARD REFLECTOR
- 39 0/000.220.0591 RADIATOR GUARD SET
- 40 0/000.390.5072 RED MRT SHIM SET
- 40 0/000.390.5070 WHITE MRT SHIM SET
- 40 0/000.390.5073 BLACK MRT SHIM SET
- 40 0/000.390.5093 BLACK MRT SHIM SET 2011
- 40 0/000.390.5092 WHITE MRT SHIM SET



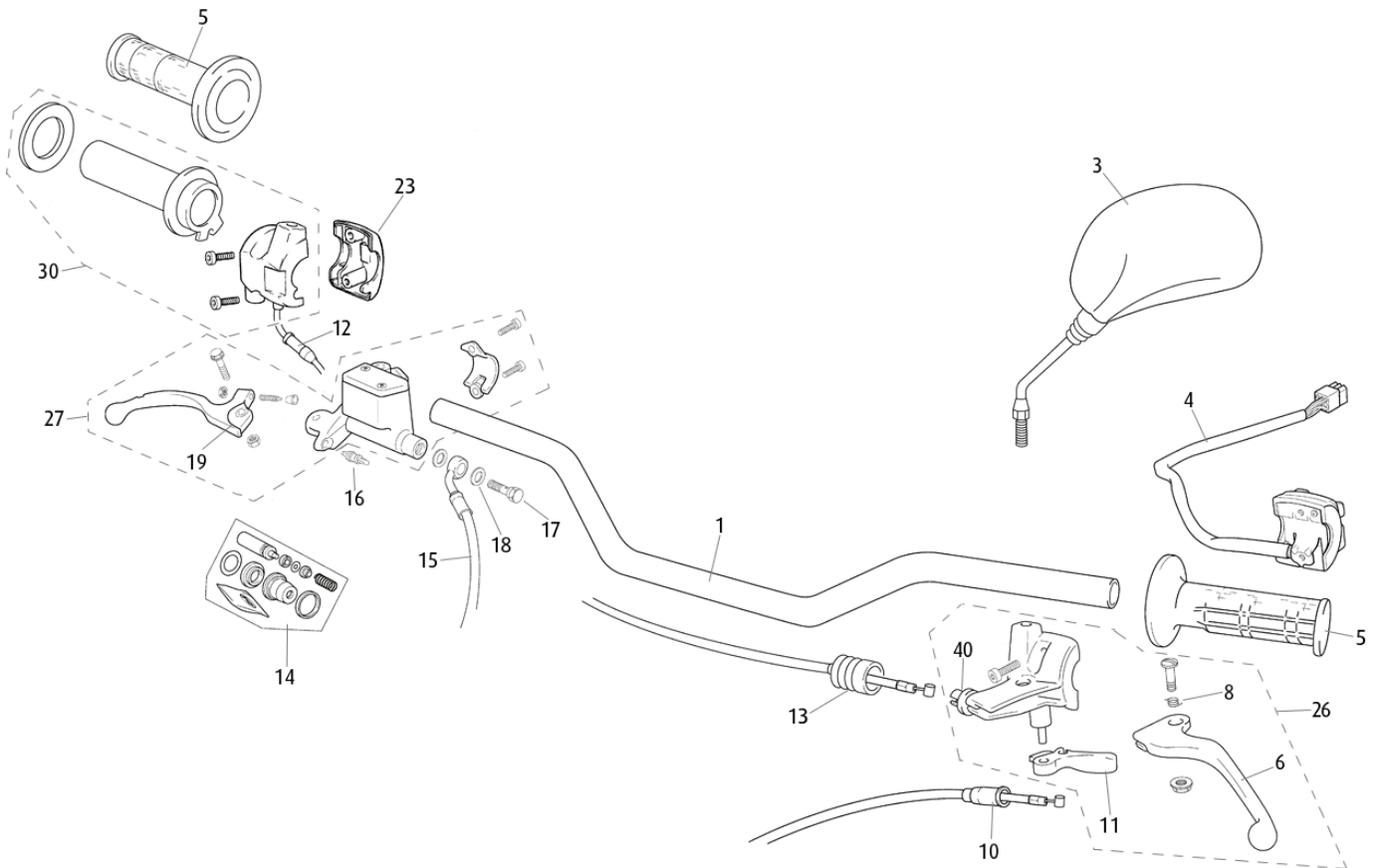
03 MRT\k9d\DEPOSIT, ESCAPE TUBE AND RADIATOR

- 1 0/000.030.5005 FUEL TANK WITH FUEL COCK 2010
- 2 0/000.460.1182 FUEL TANK ATTACHMENT BOLT
- 3 0/000.410.5300 FUEL TANK CAP
- 4 0/000.290.0570 FUEL CAP VENT HOSE
- 5 0/000.360.5012 TANK TO CHASSIS SUPPORT PAD
- 6 0/000.680.0520 FUEL COCK CLAMP
- 7 0/000.370.0502 FUEL COCK
- 8 0/000.680.0510 FUEL PIPE TO COCK CLAMP
- 9 0/000.870.5030 MUFFLER (22MM.) (FRAM.GT 900572)
- 9 0/000.870.5030 MUFFLER (22MM.) (FRAM.LT 900571)
- 10 0/000.460.0600 EXHAUST SILENCER ATTACHMENT BOLT
- 19 0/001.070.5101 FILTER MASS
- 20 0/005.082.0334 FULL ENGINE
- 21 0/000.460.0310 GEARCHANGE PEDAL BOLT
- 22 0/005.430.0031 GEARCHANGE PEDAL
- 23 0/000.460.0550 ENGINE ATTACHMENT BOLT
- 24 0/005.430.5003 KICK START PEDAL
- 25 0/000.680.7002 FILTER BOX RUBBER CLAMP
- 27 0/000.680.8000 HOSE CLAMP
- 30 0/000.680.8002 EXHAUST CLAMP (22MM.) (FRAM.GT 900572)
- 30 0/000.680.8004 EXHAUST CLAMP (20MM.) (FRAM.LT 900571)
- 31 0/000.680.0534 HOSE CLAMP
- 32 0/000.640.0002 AIS VALVE
- 33 0/000.980.5105 AIS VALVE HOLDER
- 34 0/000.460.1704 AIS VALVE ATTACHMENT BOLT
- 35 0/000.340.0181 SILENTBLOC ATTACHMENT NUT
- 36 0/000.360.8102 EXHAUST SILENTBLOC
- 37 0/000.660.5009 PLATINA TUBE ESCAPES WITH REDUCER
- 38 0/000.660.2020 EXHAUST PLATE
- 39 0/000.490.2000 EXHAUST CATALYSER GASKET
- 40 0/000.490.2000 EXHAUST CATALYSER GASKET
- 41 0/000.370.0440 OIL TANK COCK
- 42 0/000.460.0339 EXHAUST SILENTBLOC ATTACHMENT BOLT
- 43 0/005.460.1070 EXHAUST SPRING
- 44 0/000.290.5060 EXHAUST PIPE (VERSION 20 MM.) (FRAM.LT 900571)
- 44 0/000.290.5060 EXHAUST PIPE (VERSION 22 MM.) (FRAM.GT 900572)
- 45 0/000.030.5004 OIL TANK
- 46 0/000.410.5001 OIL LEVEL SENSOR
- 47 0/000.360.5013 OIL TANK SILENTBLOC
- 48 0/000.340.5101 TAPPING NUT
- 49 0/000.360.5013 OIL TANK SILENTBLOC
- 50 0/000.640.5020 RADIATOR HOSE SET
- 51 0/000.680.0550 RADIATOR HOSE CLAMPS
- 52 0/000.410.5102 RADIATOR CAP
- 53 0/000.290.0630 RADIATOR WATER RELIEF PIPE
- 54 0/000.580.5100 RADIATOR
- 55 0/000.410.0600 OIL TANK CAP
- 60 0/000.220.0591 PROTECTOR RADIADOR MRT
- 61 0/000.220.5011 EXHAUST GUARD PAINTED MRT 2010
- 62 0/000.440.6000 ARANDELA ANTICALORICA 20x5x1
- 63 0/000.640.5021 PIPE VALVE
- 65 0/000.480.0710 SEPARADOR TLLO. DEPOSITO
- 66 0/000.480.5017 SEPARADOR DELANTERO DEPOSITO
- 67 0/000.460.2006 TORNILLO FIG. DEPOSITO MRT M6x35
- 68 0/000.360.5010 FILTER BOX TO CARBURETTOR JOIN RUBBER
- 90 0/000.410.5301 FUEL TANK CAP LOCKING W/KEY
- 91 0/000.480.5017 TORNILLO TOPE DEPOSITO
- 92 0/000.640.5023 MANGUITO VALVULA AIS/FILTRO
- 93 0/000.910.5202 COMPLETE FILTER BOX
- 94 0/000.290.0643 TUBO COPOLAN 5x10x210



04 MRT\k9d\SYSTEM ELECTRICS AND LIGHTS

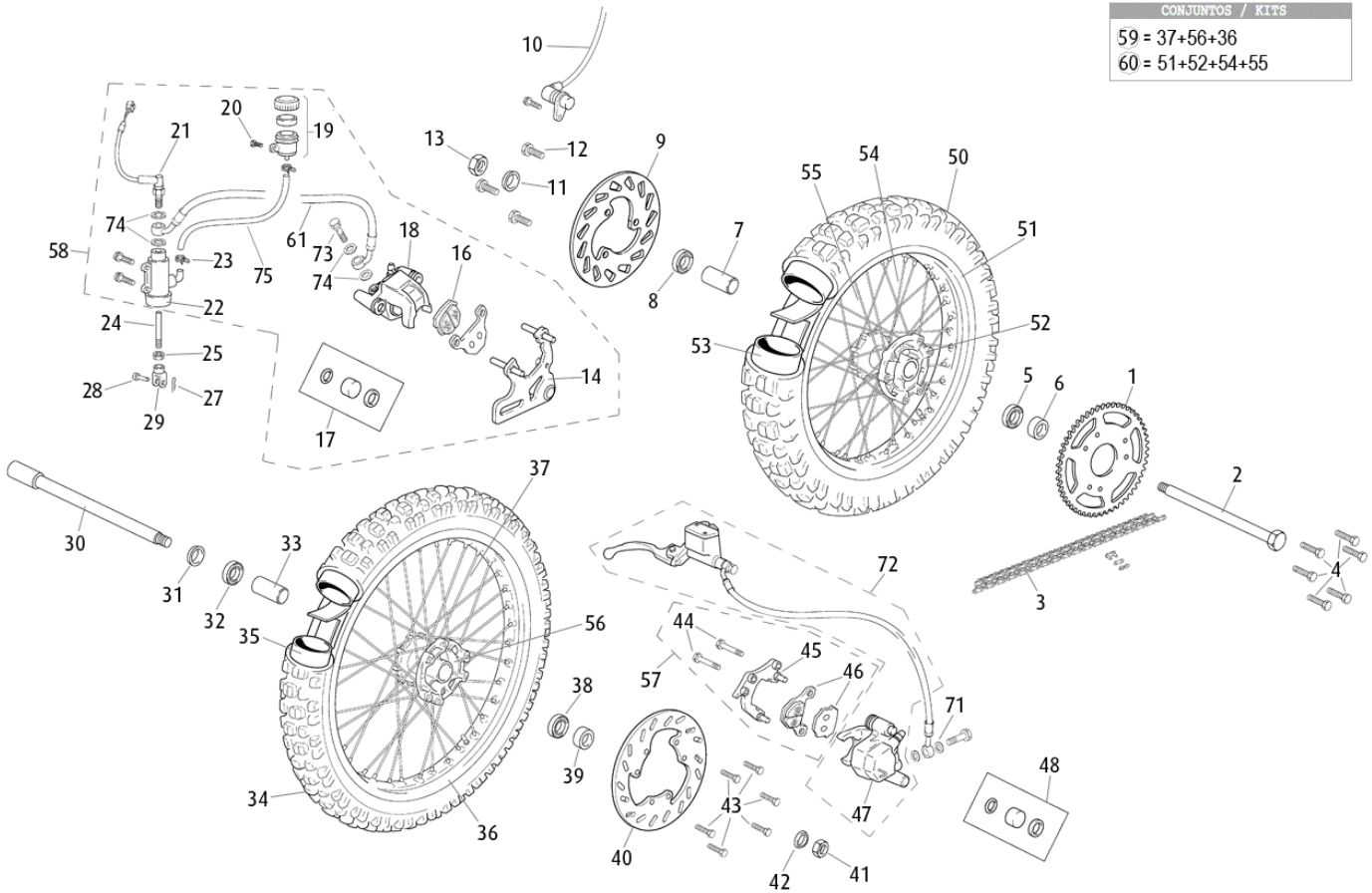
- 1 0/001.000.2101 DIGITAL TABLIER MAE (1 BUTTON) (FRAM.LT 900582)
- 1 0/001.000.2102 DIGITAL PANEL KOSO (FRAM.LT 900582)
- 1 0/001.000.2102 DIGITAL PANEL KOSO (FRAM.GT 900583)
- 2 0/001.060.0041 IGNITION KEY BARREL
- 3 0/000.460.2003 IGNITION KEY BARREL BOLT
- 4 0/000.150.8000 RIGHT-HAND FRONT INDICATOR (FRAM.GT VFMRT1000)
- 4 0/000.150.2100 RIGHT-HAND FRONT & LEFT-HAND REAR INDICATOR (F
- 5 0/000.460.1170 INDICATOR ATTACHMENT BOLT
- 6 0/000.340.0172 INDICATOR ATTACHMENT NUT
- 9 0/000.850.0220 REAR LIGHT
- 11 0/000.460.5200 REAR LIGHT ATTACHMENT BOLT
- 12 0/000.150.2200 LEFT-HAND FRONT & RIGHT-HAND REAR INDICATOR (F
- 12 0/000.150.8001 LEFT-HAND FRONT INDICATOR LIGHT (FRAM.GT VFMRT
- 15 0/000.160.5012 REAR SYSTEM
- 16 0/005.070.2025 BOBINA EXTERIOR
- 16 0/005.070.2005 OUTER COIL DUCATI
- 17 0/005.070.5002 CURRENT REGULATOR
- 18 0/005.110.2022 SPARK PLUG CAP
- 19 0/000.160.5018 CENTRAL SYSTEM KOSO (FRAM.LT 900582)
- 19 0/000.160.5018 CENTRAL SYSTEM KOSO (FRAM.GT 900583)
- 19 0/000.160.5010 CENTRAL SYSTEM MAE (FRAM.LT 900583)
- 20 0/001.200.5031 FLASHER UNIT
- 23 0/000.850.0055 FRONT HEADLAMP BULB
- 24 0/000.420.5000 HORN (AC) WITH 3 PINS REGULATOR
- 24 0/000.420.5010 HORN (DC) WITH 5 PINS REGULATOR
- 25 0/000.460.0600 HORN ATTACHMENT BOLT
- 26 0/000.600.0260 COMPLETE HEADLAMP BEAM UNIT
- 28 0/000.460.0786 HEADLAMP BEAM UNIT BUSHING BOLT
- 30 0/000.150.2010 COMPLETE REAR LIGHT
- 31 0/000.850.9000 BOMBILLA H4 35/35 12V.
- 32 0/000.350.5010 TAPA BOBINA EXTERIOR
- 33 0/000.460.1190 TILLO. ESP. PLASTICO MX12
- 40 0/000.460.1150 TORNILLO SENSOR TEMPEATURA 1120
- 40 0/000.460.1151 TORNILLO SENSOR TEMPEATURA 1170



05 MRT\k9d\MANILLARES AND CONTROLS

- 1 0/000.170.5000 HANDLEBARS
- 3 0/000.990.8001 LEFT-HAND MIRROR
- 4 0/000.720.5000 LIGHTS COMMUTATOR
- 5 0/000.530.5010 HANDLEBAR RUBBER GRIP SET
- 6 0/000.830.1002 SINGLE CLUTCH LEVER
- 8 0/000.470.6060 ELIMINATED OF PRODUCTION. IT IS NOT POSSIBLE T
- 10 0/000.550.5002 STARTER CABLE
- 11 0/000.830.5110 SINGLE STARTER LEVER
- 12 0/000.550.5005 FUEL CABLE
- 13 0/000.550.5007 CLUTCH CABLE
- 14 0/000.640.0451 BRAKE PUMP REPAIR KIT
- 15 0/000.290.0257 FRONT BRAKE HOSE
- 16 0/000.720.0070 FRONT BRAKE STOP SWITCH
- 17 0/000.460.1300 BRAKE HOSE BOLT
- 18 0/000.440.1040 BRAKE HOSE BOLT WASHER
- 19 0/000.830.1001 SINGLE FRONT BRAKE LEVER
- 23 0/000.350.5001 RIGHT-HAND COMMUTATOR SINGLE COVER
- 26 0/000.830.5001 FULL CLUTCH LEVER
- 27 0/000.820.0312 FULL FRONT BRAKE PUMP
- 28 0/000.680.0100 BRAKE PUMP ATTACHMENT CLAMP
- 30 0/000.530.5000 FULL THROTTLE TWIST GRIP
- 40 0/000.640.5700 ADJUSTER

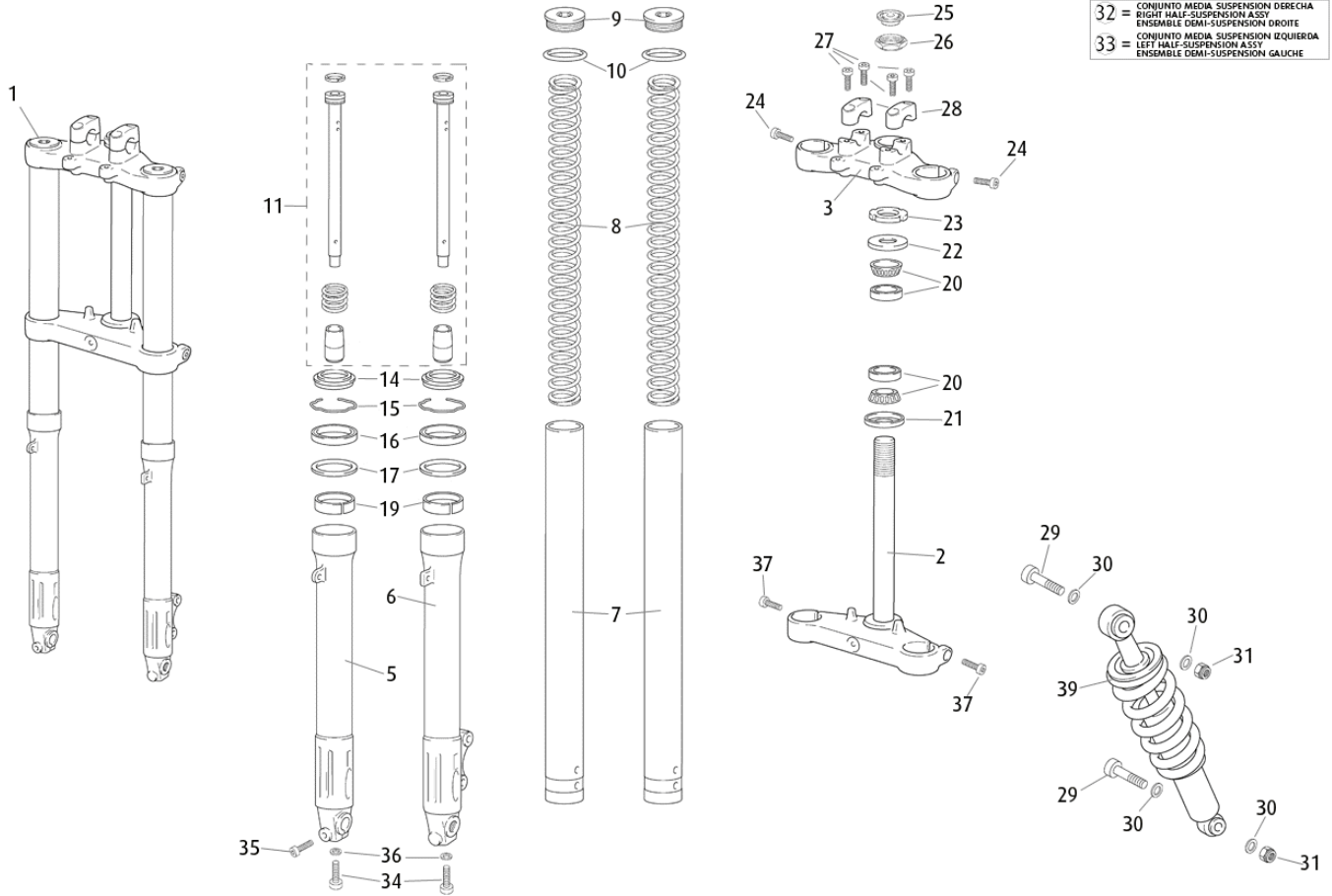
CONJUNTOS / KITS
 59 = 37+56+36
 60 = 51+52+54+55



06 MRT\k9d\WHEELS AND CONTROLS

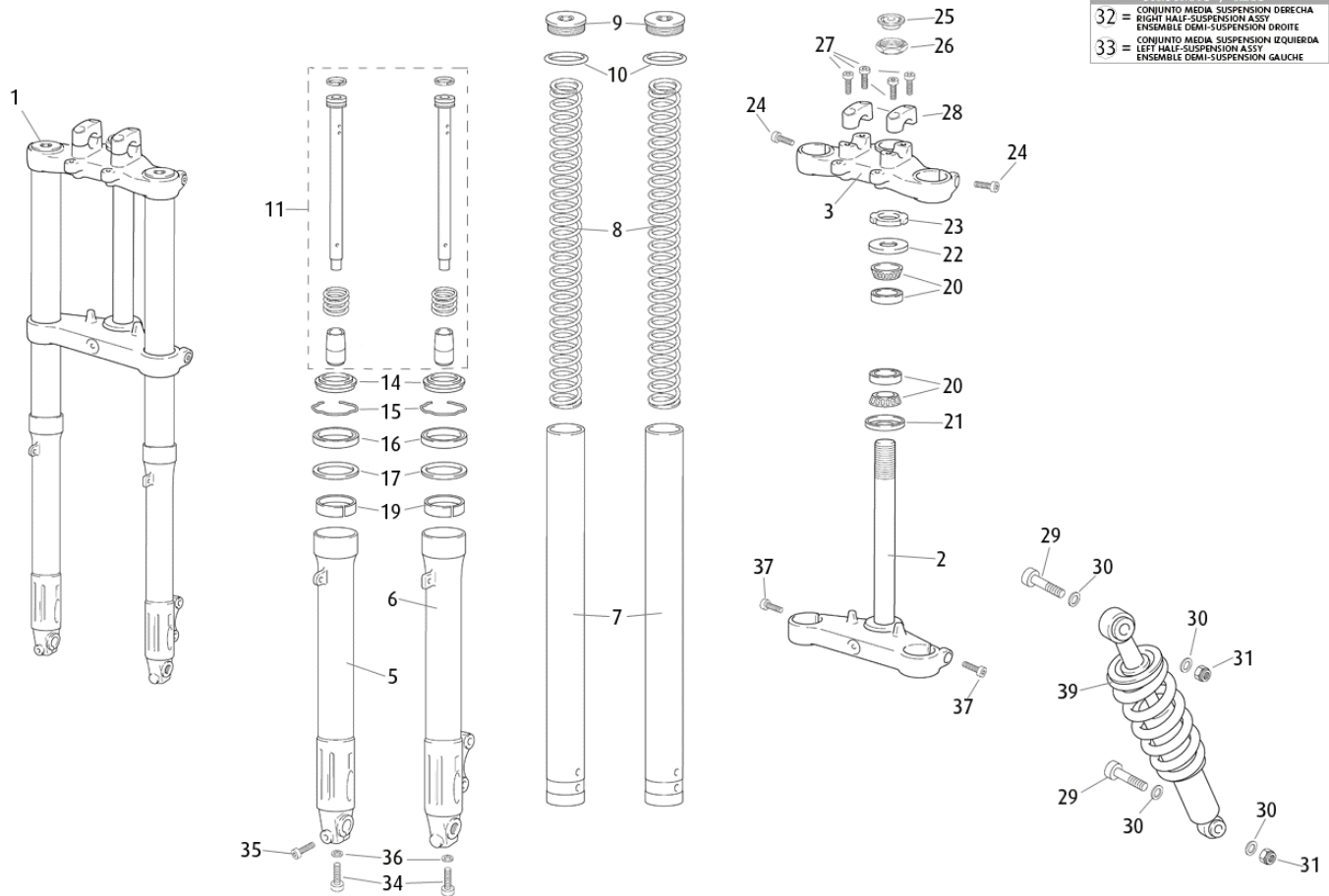
- 1 0/000.500.5001 DRIVE PLATE
- 2 0/000.190.5301 REAR WHEEL SHAFT
- 3 0/001.050.0202 CHAIN
- 4 0/000.460.0672 DRIVE PLATE BOLT
- 5 0/000.960.0050 WHEEL BEARING
- 6 0/000.480.8000 WHEEL SEPARATOR
- 7 0/000.480.5007 SPACER
- 8 0/000.960.0050 WHEEL BEARING
- 9 0/001.090.0207 REAR BRAKE DISC
- 10 0/001.010.2102 SPEED SENSOR FOR KOSSO PANEL
- 10 0/001.010.7008 SPEED SENSOR
- 11 0/000.440.0123 BRAKE DISC SEPARATOR
- 12 0/000.460.5002 BRAKE DISC BOLT
- 13 0/000.340.0186 REAR SHAFT NUT
- 14 0/000.980.0746 REAR BRAKE CALIPER HOLDER
- 16 0/000.930.0090 REAR DISC BRAKE PAD SET
- 17 0/000.640.0453 REAR BRAKE CALIPER REPAIR KIT
- 18 0/000.860.5102 REAR BRAKE CALIPER W/ HOLDER
- 19 0/000.030.0170 BRAKE FLUID TANK
- 20 0/000.460.0600 BRAKE FLUID ATTACHMENT BOLT
- 21 0/000.720.0075 REAR BRAKE SWITCH
- 22 0/000.820.0310 SINGLE REAR BRAKE PUMP
- 23 0/000.680.0500 BRAKE PUMP HOSE CLAMP
- 24 0/000.240.5001 BRAKE PUMP PUSHROD
- 25 0/000.340.0130 BRAKE PUMP PUSHROD NUT
- 27 0/000.840.0060 PIN CLIP
- 28 0/000.840.0090 BRAKE LEVER PIN
- 29 0/000.130.0150 BRAKE PEDAL FORK
- 30 0/000.190.5304 FRONT WHEEL SHAFT (FRAM.GT 900583)
- 30 0/000.190.5300 FRONT WHEEL SHAFT (FRAM.LT 900582)
- 31 0/000.480.5031 FRONT WHEEL SHAFT SEPARATOR
- 32 0/000.960.0050 FRONT WHEEL BEARING
- 33 0/000.480.5031 FRONT WHEEL SEPARATOR
- 34 0/000.510.0502 FRONT WHEEL TYRE 80/90-21
- 35 0/000.520.0502 FRONT WHEEL CHAMBER 80/90
- 36 0/000.230.0803 SINGLE FRONT BLACK WHEEL RIM
- 37 0/000.540.5005 FRONT WHEEL SPOKES
- 38 0/000.960.0050 FRONT WHEEL BEARING
- 39 0/000.480.5032 FRONT WHEEL SEPARATOR
- 40 0/001.090.0206 FRONT BRAKE DISC
- 41 0/000.340.0300 FRONT WHEEL SHAFT NUT
- 42 0/000.440.0123 FRONT WHEEL SHAFT WASHER
- 43 0/000.460.5001 FRONT BRAKE DISC ATTACHMENT BOLT
- 44 0/000.460.0350 FRONT BRAKE CALIPER BOLT
- 45 0/000.980.0745 FRONT DISC BRAKE HOLDER
- 46 0/000.930.0090 FRONT BRAKE PAD SET
- 47 0/000.860.5111 SINGLE FRONT BRAKE CALIPER
- 48 0/000.640.0453 FRONT BRAKE CALIPER REPAIR KIT
- 50 0/000.510.0512 REAR WHEEL TYRE 110/80-18
- 51 0/000.230.0853 SINGLE REAR BLACK WHEEL RIM
- 52 0/000.080.0120 SINGLE REAR WHEEL SPOOL
- 53 0/000.520.0512 REAR WHEEL CHAMBER 110/120-18
- 54 0/000.540.5001 REAR WHEEL SPOKES
- 55 0/000.540.5002 REAR WHEEL SPOKES
- 56 0/000.070.0120 SINGLE FRONT WHEEL SPOOL
- 57 0/000.820.0714 FULL FRONT BRAKE ASSEMBLY
- 58 0/000.820.0764 FULL REAR BRAKE ASSEMBLY
- 59 0/000.110.5440 COMPLETE FRONT WHEEL ASSEMBLY W/O RUBBER
- 60 0/000.120.5440 COMPLETE REAR WHEEL ASSEMBLY W/O RUBBER
- 61 0/000.290.0258 LATIGUILLO FRENO TRASERO MRT
- 71 0/000.460.0764 CASQUILLO TORNILLO RACORD
- 72 0/000.820.0715 FULL FRONT BRAKE ASSEMBLY
- 73 0/000.460.1300 SCREW RACORD
- 74 0/000.440.1040 BOLT RACORD WASHER
- 75 0/000.290.0265 PIPE EPDM 325

CONJUNTOS / KITS
 32 = CONJUNTO MEDIA SUSPENSION DERECHA
 RIGHT HALF-SUSPENSION ASSY
 ENSEMBLE DEMI-SUSPENSION DROITE
 33 = CONJUNTO MEDIA SUSPENSION IZQUIERDA
 LEFT HALF-SUSPENSION ASSY
 ENSEMBLE DEMI-SUSPENSION GAUCHE



07 MRT\k9d\SUSPENSION

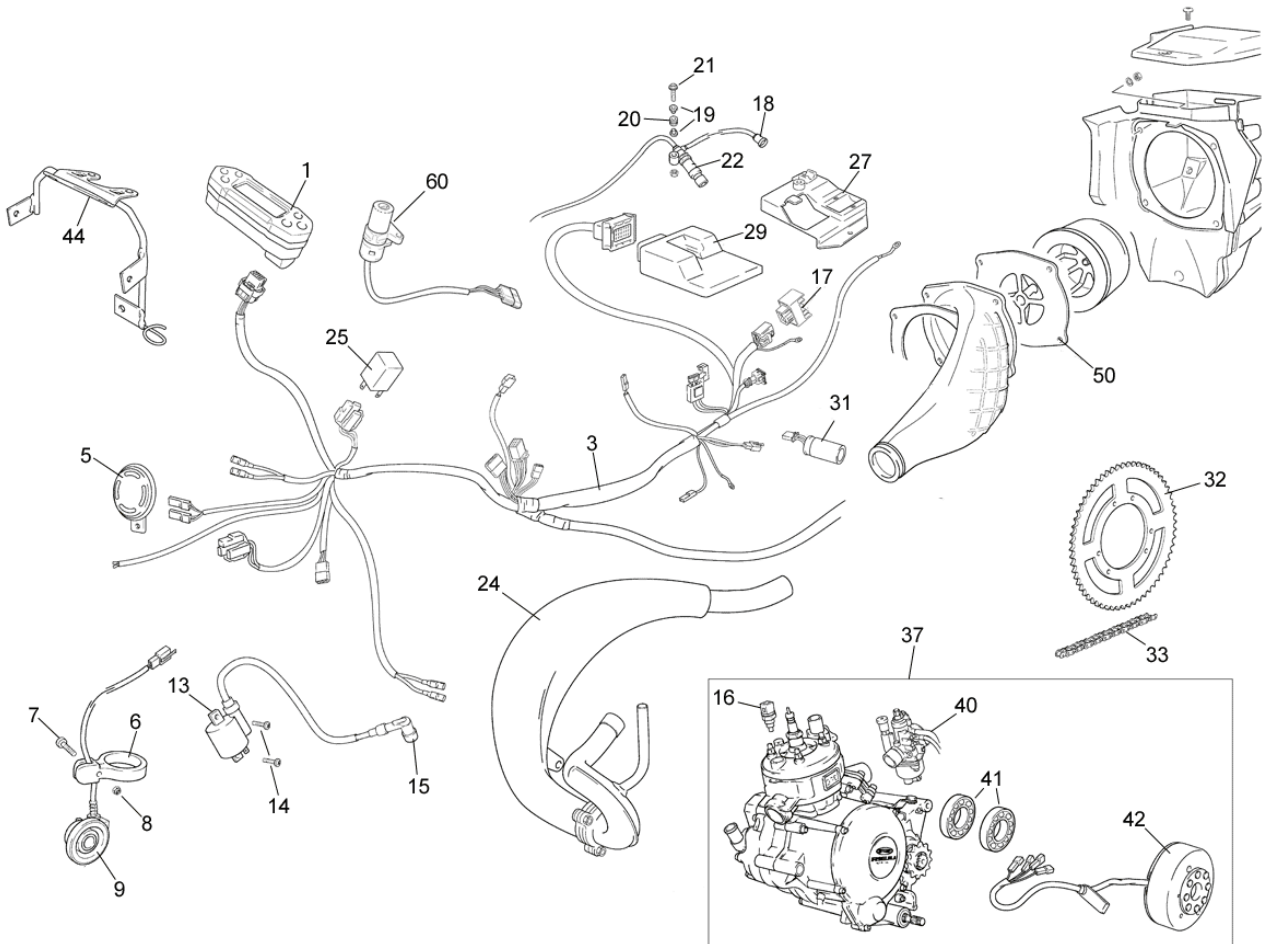
- 1 0/000.130.6003 FULL FRONT FORK
- 2 0/000.660.6009 FULL LOWER PLATE
- 3 0/000.660.6008 UPPER PLATE
- 5 0/000.880.6007 SINGLE RIGHT-HAND LEG
- 6 0/000.880.6006 SINGLE LEFT-HAND LEG
- 7 0/000.290.6106 MAIN FORK PIPE
- 8 0/000.470.6104 MAIN FORK PIPE SPRING
- 9 0/000.410.6010 UPPER FORK MAIN PIPE CAP
- 10 0/000.300.6006 UPPER FORK O-RING CAP
- 11 0/000.290.6107 SINGLE HYDRAULIC PIPE
- 14 0/000.890.6007 UPPER FORK SEAL DUST COVER
- 15 0/000.300.6004 SEALING FASTENER
- 16 0/000.890.6008 FORK SEAL
- 17 0/000.440.0184 SPRING WASHER
- 19 0/000.480.6203 LOWER FORK LEG BUSHING
- 20 0/000.960.0200 STEERING BEARING
- 21 0/000.200.7001 LOWER STEERING FORK DUST COVER
- 22 0/000.200.7000 UPPER STEERING FORK DUST COVER
- 23 0/000.340.6001 LOWER STEERING NUT
- 24 0/000.460.0350 UPPER PLATE THUMBSCREW
- 25 0/000.410.6001 TAPON TUBO PRINCIPAL HORQUILLA
- 26 0/000.340.6002 UPPER FORK NUT
- 27 0/000.460.0352 HANDLEBAR CLAMP BOLT
- 28 0/000.350.6003 HANDLEBAR ATTACHMENT CLAMPS
- 29 0/000.460.0403 SHOCK ABSORBER ATTACHMENT BOLT
- 30 0/000.440.0110 SHOCK ABSORBER BOLT WASHER
- 31 0/000.340.0182 SHOCK ABSORBER BOLT NUT
- 32 0/000.640.6008 RIGHT-HAND HALF SUSPENSION ASSEMBLY
- 33 0/000.640.6009 LEFT-HAND HALF SUSPENSION ASSEMBLY
- 34 0/000.460.0341 MAIN PIPE ATTACHMENT BOLT
- 35 0/000.460.0350 BOLT
- 36 0/000.440.0181 WASHER
- 37 0/000.460.0350 LOWER PLATE ATTACHMENT BOLT
- 39 0/000.180.0750 REAR SHOCK ABSORBER



CONJUNTOS / KITS
 32 = CONJUNTO MEDIA SUSPENSION DERECHA
 RIGHT HALF-SUSPENSION ASSY
 ENSEMBLE DEMI-SUSPENSION DROITE
 33 = CONJUNTO MEDIA SUSPENSION IZQUIERDA
 LEFT HALF-SUSPENSION ASSY
 ENSEMBLE DEMI-SUSPENSION GAUCHE

08 MRT\k9d\SUSPENSION

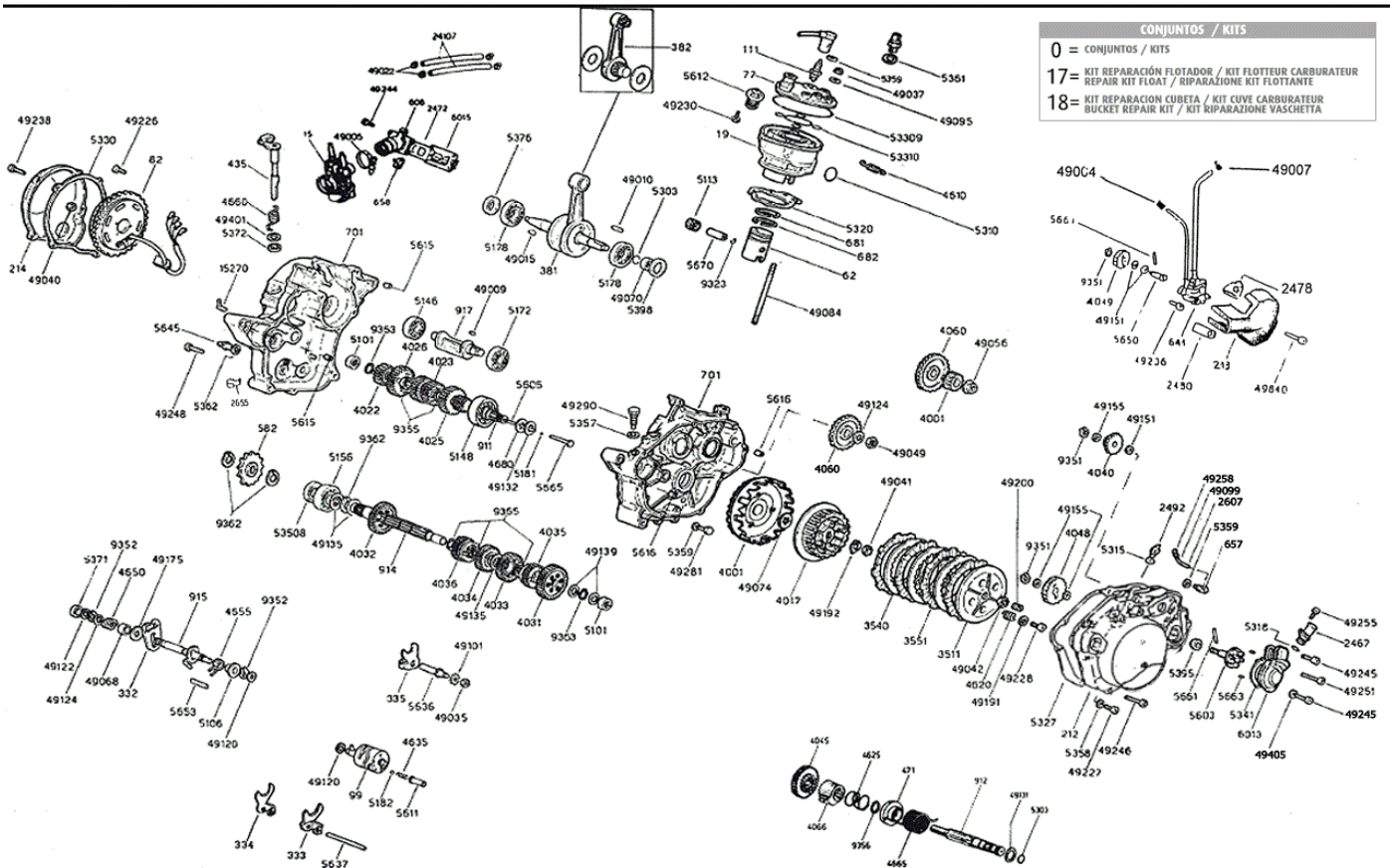
- 1 0/000.130.6004 FULL FRONT FORK
- 2 0/000.660.6006 FULL LOWER PLATE
- 3 0/000.660.6007 UPPER PLATE
- 5 0/000.880.6009 SINGLE RIGHT-HAND LEG
- 6 0/000.880.6008 SINGLE LEFT-HAND LEG
- 7 0/000.290.6104 MAIN FORK PIPE
- 8 0/000.470.6103 MAIN FORK PIPE SPRING
- 9 0/000.410.6012 UPPER FORK MAIN PIPE CAP
- 10 0/000.300.6005 UPPER FORK O-RING CAP
- 11 0/000.290.6108 SINGLE HYDRAULIC PIPE
- 14 0/000.890.6005 UPPER FORK SEAL DUST COVER
- 15 0/000.300.6004 SEALING FASTENER
- 16 0/000.890.6006 FORK SEAL
- 17 0/000.440.0183 SPRING WASHER
- 19 0/000.480.6202 LOWER FORK LEG BUSHING
- 20 0/000.960.0200 STEERING BEARING
- 21 0/000.200.7001 LOWER STEERING FORK DUST COVER
- 22 0/000.200.7000 UPPER STEERING FORK DUST COVER
- 23 0/000.340.6001 LOWER STEERING NUT
- 24 0/000.460.0350 UPPER PLATE THUMBSCREW
- 25 0/000.410.6001 TAPON TUBO PRINCIPAL HORQUILLA
- 26 0/000.340.6002 UPPER FORK NUT
- 27 0/000.460.0352 HANDLEBAR CLAMP BOLT
- 28 0/000.350.6003 HANDLEBAR ATTACHMENT CLAMPS
- 29 0/000.460.0403 SHOCK ABSORBER ATTACHMENT BOLT
- 30 0/000.440.0110 SHOCK ABSORBER BOLT WASHER
- 31 0/000.340.0182 SHOCK ABSORBER BOLT NUT
- 32 0/000.640.6011 RIGHT-HAND HALF SUSPENSION ASSEMBLY
- 33 0/000.640.6012 LEFT-HAND HALF SUSPENSION ASSEMBLY
- 34 0/000.460.0341 MAIN PIPE ATTACHMENT BOLT
- 35 0/000.460.0350 BOLT
- 36 0/000.440.0181 WASHER
- 37 0/000.460.0350 LOWER PLATE ATTACHMENT BOLT
- 39 0/000.180.0750 REAR SHOCK ABSORBER



09 MRT\k9d\POWER-UP

- 1 0/001.000.2102 ODOMETER MRT POWER-UP
- 3 0/000.160.5020 INSTALACION ELEC. 2010 (FRAM.GT VTFMRT11C00000)
- 3 0/000.160.5014 ELECTRICAL INSTALAT.MRT POWERUP(FRAM.LT VTFM
- 5 0/000.420.5010 HORN SMX/NAKED
- 6 0/000.680.6001 TUBE GUIDE CLAMP F.D.MRX/SMX 125
- 7 0/000.460.0786 SCREW din 7985 M5x25
- 8 0/000.340.0172 NUT DIN 985 M5
- 9 0/001.010.7004 ELECTRONIC SIGNAL TRANSMISSION 12 IMP/TURN
- 10 0/000.980.5023 COIL BRACKET POWER UP
- 11 0/000.340.5102 QUICK NUT M6
- 12 0/000.340.5100 QUICK NUT M5
- 13 0/005.702.1500 HIGH-TENSION COIL POWER UP ENGINE
- 14 0/000.460.1170 PLASTIC SCREW M5X16 RS1
- 15 0/005.110.2022 SPARK PLUG CAP
- 16 0/005.560.1991 TEMPERATURE SENSOR POWER UP ENGINE
- 17 0/005.070.6006 REGULATOR FOR 3D6/2005 ENGINE
- 18 0/005.310.2433 SOLENOIDE SPACER POWER UP ENGINE
- 19 0/000.480.0711 SPACER Q14-8 X 5-1.3 HOLE 6.2
- 20 0/000.360.0490 SILEMBLOC RUBBER COVER RS1
- 21 0/000.460.0621 SCREW DIN 6921 M6 X 40 6 8.8 JS 500
- 22 0/005.707.0010 SOLENOIDE VALVE POWER UP ENGINE
- 23 0/000.340.0169 AUTOBLOC NUT M6/DIN 985/JS500
- 24 0/000.290.5062 BIG GUN EXHAUST MRT POWER-UP
- 25 0/001.200.5030 INDICATOR UNITS CENTRAL DIRECT CURRENT POWER
- 26 0/001.200.6015 DIODE INSTALLATION MRX/SMX POWER-UP
- 27 0/000.980.5106 ECU BRACKET POWER-UP (FRAM.LT VTFMRT11C0000072)
- 27 0/000.980.5109 SOPORTE CDI 2010 (FRAM.GT VTFMRT11C00000730)
- 28 0/005.240.1454 ECU BRACKET RUBBER PAD POWER-UP ENGINE
- 29 0/005.705.3940 POWER-UP ENGINE ECU MRT
- 29 0/005.705.3942 CENTRALITA MOTOR EFI 2010 (FRAM.GT VTFMRT11C00
- 29 0/005.705.3941 POWER-UP ENGINE ECU MRT SH (FRAM.LT VTFMRT11C0
- 30 0/001.200.6002 CONTACT RELAY (40Ah)
- 31 0/001.200.6011 CONDENSER MRT POWER UP
- 32 0/000.500.5010 DRIVEN PLATE Z/62 MRX/POWER-UP
- 33 0/001.050.0230 COMPLETE CHAIN KIT 136 LINKS MRT POWER UP
- 37 0/005.082.0336 AM-6 50 ENGINE POWER UP 2009
- 37 0/005.082.0398 AM650 ENGINE FOR MRX EURO 2 K.S. POWER-UP
- 40 0/005.155.7151 PHBN CARBURETTOR 16-NS/R (ASSORT.88)
- 41 0/005.510.2652 BALL BEARING 17x47x14 (6303/C3TN)
- 42 0/005.822.2544 COMPLETE FLYWHEEL ASSEMBLY FOR MRX
- 43 0/000.910.5203 COMPLETE BOX FILTER
- 44 0/000.980.5018 LIGHT SUPPORT
- 50 0/000.350.5006 LIMITOR AIR BOX FILTER
- 60 0/001.060.8000 LLAVES CONTACTO 2010 (FRAM.GT VTFMRT11C0000073)

AM6 K/S EURO 0384



00 MRT\k9d\ENGINE#d

- 99 0/005.090.0330 TREE
- 332 0/005.330.0217 FORK SENDS SELECTOR
- 333 0/005.330.0060 FORK CONTROL CHANGE 1a AND 3a
- 334 0/005.330.0070 FORK CONTROL CHANGE 2a AND 3a
- 335 0/005.330.0080 FORK CONTROL CHANGE 5a AND 6a
- 435 0/005.430.0320 WEIGH CLUTCH COMPLETE
- 657 0/005.650.1421 BRIDGE REGISTERS CABLE OIL PUMP PRICOL
- 657 0/005.650.1420 BRIDGE REGISTERS CABLE OIL PUMP
- 658 0/005.650.1410 BRIDGE CABLE CLUTCH
- 2467 0/005.240.2050 ENTERED MUFF DILUTES ON PUMP
- 2472 0/005.240.2117 INSERT VALVE OF SHEETS
- 2492 0/005.247.0547 PLUG FEEDING OIL
- 3551 0/005.350.3580 DISK LINED CLUTCH
- 4040 0/005.400.4787 INTERMEDIATE DOUBLE PINENUT Z = 13/24
- 4049 0/005.400.5757 PINENUT PUMP OILS
- 4610 0/005.460.1070 SPRING EXHAUST
- 4635 0/005.460.3510 SPRING RETAINS MARCH
- 4650 0/005.460.1967 SPRING RETAINS FORK SELECTOR
- 4655 0/005.460.2027 SPRING RETAINS LEVER SELECTOR
- 4660 0/005.460.2200 SPRING RECOVERY WEIGHS CLUTCH
- 4680 0/005.460.3010 WASHER-SPRING
- 5101 0/005.510.1029 CAGE OF ROLLERS DB 14-12
- 5106 0/005.510.1297 CAP FOR SELECTOR SPRING
- 5146 0/005.510.2039 BEARING O15 x 25 x 11
- 5148 0/005.510.2059 BEARING O17 x 40 x 12
- 5156 0/005.510.2159 BEARING O20 x 47 x 14
- 5172 0/005.510.2299 BEARING O17 x 40 x 12
- 5178 0/005.510.2652 BEARING O17 x 47 x 14
- 5181 0/005.510.4039 BALL 3/16"
- 5182 0/005.510.4079 BALL O9 MM
- 5308 0/005.530.1149 RING O19 x 1,2
- 5318 0/005.530.1329 RING OF RETENTION O11,8 x 2,4
- 5320 0/005.530.8020 (BOLSA 5 uds) JUNTA CILINDRO AM-5
- 5327 0/005.530.3640 (BOLSA 5 uds) JUNTA TAPA EMBRAGUE AM-5
- 5341 0/005.530.4000 (BOLSA 5 uds) JUNTA CUERPO BOMBA AGUA AM-5
- 5357 0/005.530.4710 SCREW GASKET
- 5358 0/005.530.4720 SCREW 6 x 12 OIL LEVEL GASKET
- 5359 0/005.530.4730 (BOLSA 5 uds) JUNTA FIBRA 8*14
- 5361 0/005.530.4750 SCREW WATER EXIT 14,1 x 22 x 1 GASKET
- 5362 0/005.530.4790 NEUTRAL INDICATOR GASKET
- 5371 0/005.530.5019 (BOLSA 5 uds) RETEN DE 12*22*7 mm.
- 5372 0/005.530.5029 (BOLSA 5 uds) RETEN 15*24*5 mm.
- 5376 0/005.530.5069 (BOLSA 5 uds) RETEN DE 17*35*8
- 5395 0/005.530.5339 DETENT 10 x 18 x 8
- 5395 0/005.530.5339 (BOLSA 5 uds) RETEN 10*18*8 RST/80
- 5398 0/005.530.5379 (BOLSA 5 uds) RETEN 24x35x7 (VITON) LADO EMBR.
- 5603 0/005.560.0080 FASTENER BOMB DILUTES
- 5605 0/005.560.1460 BAR PUSHER CLUTCH O5 x 116,6
- 5611 0/005.560.2070 PIN
- 5612 0/006.050.0077 THERMOSTAT "BEHR THOMSON No 1085"
- 5615 0/005.560.2580 CRANKCASE GUIDE O11,5 x 12
- 5616 0/005.560.2610 CRANKCASE GUIDE O8,51 x 7,6
- 5636 0/005.560.9010 SHAFT 7,8 x 72
- 5637 0/005.560.9020 SHAFT 7,8 x 91,5
- 5645 0/005.560.3570 SWITCH DEAD POINT
- 5650 0/005.560.9777 SHAFT OIL PUMP
- 5653 0/005.560.9787 SHAFT
- 5661 0/005.560.4007 ROLLER O3 x 21,8 FOR PINENUT BOMB
- 5663 0/005.560.4017 ROLLER O4 x 10 BODY BOMB
- 5665 0/005.560.5510 PUSHER CLUTCH O13 IN HEAD
- 5670 0/005.560.6100 PISTON PIN
- 6013 0/005.600.1290 BODY BOMB DILUTES (FRAM.GT 832222)
- 6013 0/005.600.1280 BODY BOMB DILUTES (FRAM.LT 832221)
- 15270 0/005.150.6489 JOINT
- 15320 0/005.150.7690 BENT TUBE 40 GR. WITH SCREW AND NUT
- 49004 0/005.490.0479 BAND FOR TUBE OILS
- 49007 0/005.490.0269 BAND FOR ENTERED TUBE OILS TO THE BOMB
- 49009 0/005.490.1120 LOCKNUT 4 x 4 x 8
- 49010 0/005.490.1180 LOCKNUT 4 x 4 x 20 FOR SPROCKET
- 49015 0/005.490.1248 LOCKNUT 3 x 3,7 x 10 FLYWHEEL
- 49035 0/005.490.3059 METRIC NUT 7 x 5,5
- 49037 0/005.490.3570 (BOLSA 5 uds) TUERCA M1X1 AUTOLUBRICANTE AM-5
- 49040 0/005.490.3490 (BOLSA 5 uds) TUERCA M10X1,25 FIJ.VOLANTE
- 49041 0/005.490.3370 METRIC NUT 12 x 1,25
- 49042 0/005.490.3240 METRIC NUT 14 x 1,25
- 49049 0/005.490.3420 METRIC NUT 12 x 1
- 49056 0/005.490.3470 (BOLSA 5 uds) TUERCA M-12x1.25 AM-5
- 49068 0/005.490.4127 SPACER O12,4 x 14,4 x 11
- 49074 0/005.490.4390 SPACER DRUM CLUTCH O13 x 30 x 4
- 49084 0/005.490.5140 METRIC SCREW 7 x 115
- 49095 0/005.490.6099 (BOLSA 5 uds) ARANDELA VISELADA
- 49101 0/005.490.6129 WASHER O7 JAGGED INTERIOR
- 49120 0/005.490.6406 (BOLSA 5 uds) ARANDELA 10 x 16 x 0,6 AM5
- 49122 0/005.490.6426 WASHER STEELS O12 x 17 x 0,6
- 49124 0/005.490.6440 WASHER STEELS O12,3 x 22
- 49132 0/005.490.6520 (BOLSA 5 uds) ARANDELA ACERO 17.2x30
- 49135 0/005.490.6556 WASHER STEELS O20,45 x 28 THICKNESS 0,6
- 49135 0/005.490.6554 (BOLSA 5 uds) ARANDELA 20.45*28
- 49139 0/005.491.6046 WASHER STEELS O14,5 x 27 THICKNESS 0,6
- 49139 0/005.491.6044 (BOLSA 5 uds) ARANDELA 14,5x27 ESP O,4 EVOL
- 49139 0/005.491.6044 WASHER STEELS O14,5 x 27 THICKNESS 0,4
- 49151 0/005.491.6096 WASHER STEELS O8,4 x 16 x 0,6
- 49155 0/005.491.6130 WASHER STEELS O8,2 x 15 x 1
- 49175 0/005.490.6800 WASHER O12,75 x 28 x 1,5
- 49191 0/005.490.6890 WASHER O5 x 15 x 2
- 49192 0/005.490.7000 (BOLSA 5 uds) ARANDELA 5x15x2
- 49200 0/005.490.8010 SCREW CLUTCH M14 x 1,25 x 18
- 49226 0/005.490.9389 (BOLSA 5 uds) TILLO METALICO 4X10 EVOL
- 49227 0/005.490.8420 METRIC SCREW 6 x 6
- 49228 0/005.491.9049 (BOLSA 5 uds) TORNILLO 5x20
- 49230 0/005.490.8460 METRIC SCREW 4 x 10
- 49236 0/005.490.8529 METRIC SCREW 5 x 16
- 49238 0/000.460.0290 METRIC SCREW 6 x 20
- 49244 0/005.490.8619 METRIC SCREW 6 x 20
- 49245 0/000.460.0311 METRIC SCREW 6 x 25
- 49246 0/000.460.0320 METRIC SCREW 6 x 30
- 49248 0/005.490.8659 METRIC SCREW 6 x 40
- 49251 0/005.490.8689 METRIC SCREW 6 x 55
- 49281 0/005.490.9119 METRIC SCREW 8 x 10
- 49290 0/005.490.9220 METRIC SCREW 12 x 1,25
- 49386 0/005.491.7621 WASHER
- 49840 0/005.497.0669 METRIC SCREW 5 x 35
- 53508 0/005.530.5499 (BOLSA 5 uds) RETEN 20*35*7 DIN 3760