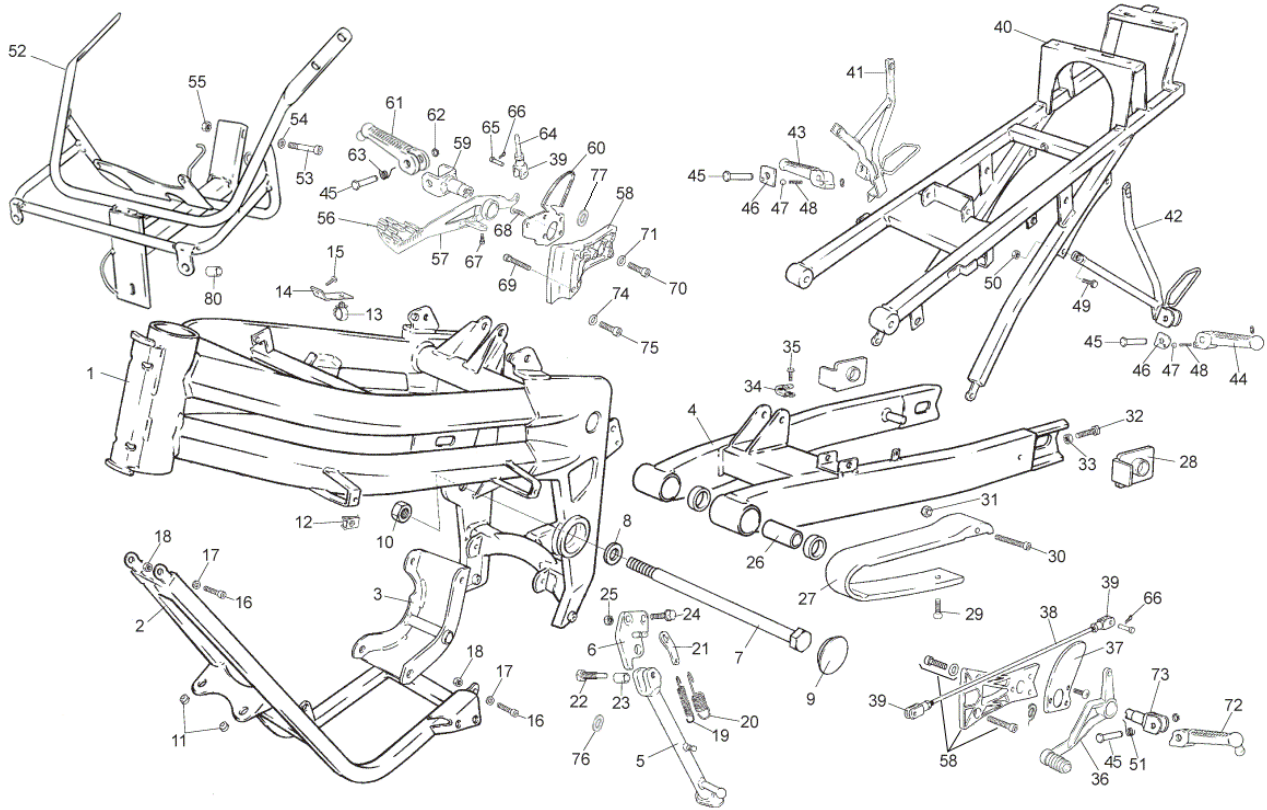


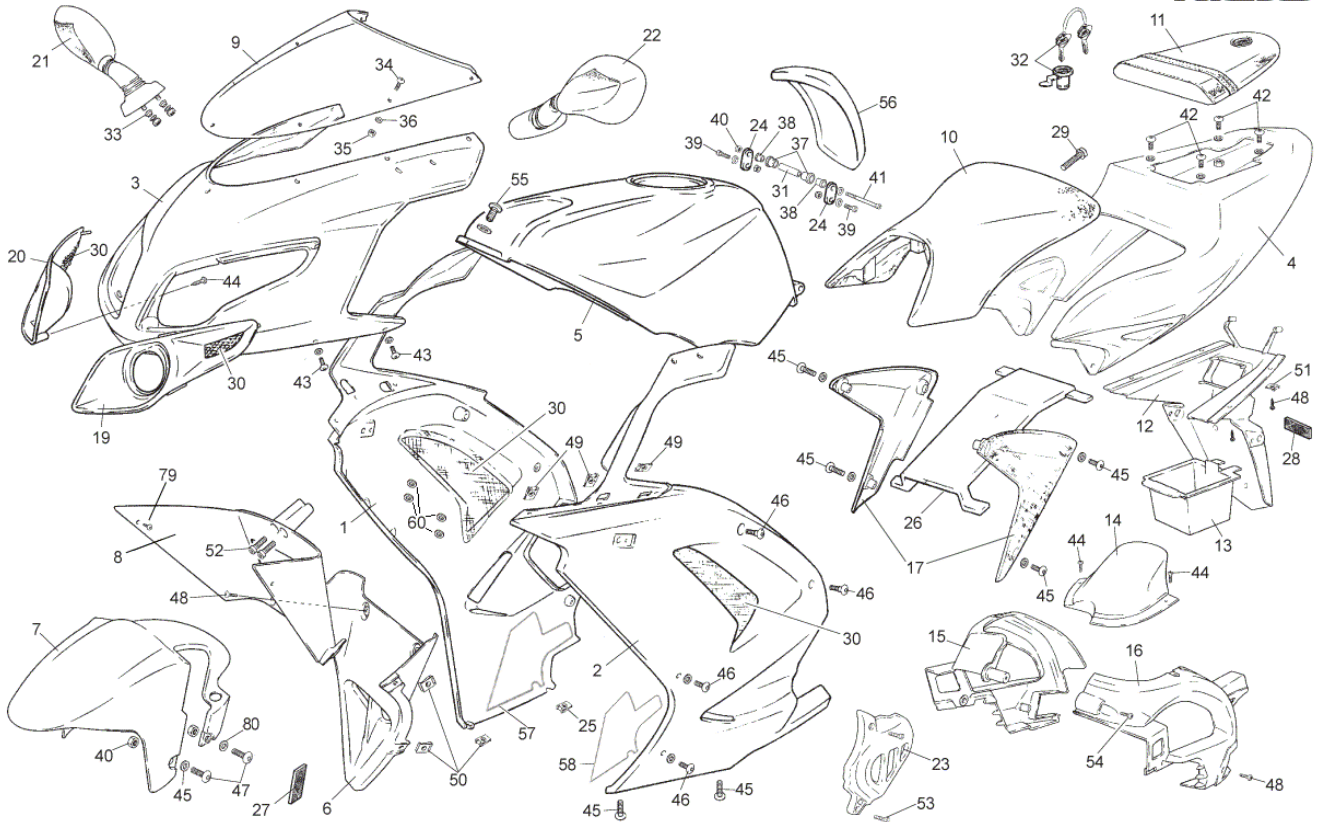
00 RS2MTX\pro\ENGINE#c

- | | |
|--|--|
| 99 0/005.090.0330 TREE | 49007 0/005.490.0269 BAND FOR ENTERED TUBE OILS TO THE BOMB |
| 332 0/005.330.0217 FORK SENDS SELECTOR | 49009 0/005.490.1120 LOCKNUT 4 x 4 x 8 |
| 333 0/005.330.0060 FORK CONTROL CHANGE 1a AND 3a | 49010 0/005.490.1180 LOCKNUT 4 x 4 x 20 FOR SPROCKET |
| 334 0/005.330.0070 FORK CONTROL CHANGE 2a AND 3a | 49015 0/005.490.1248 LOCKNUT 3 x 3,7 x 10 FLYWHEEL |
| 335 0/005.330.0080 FORK CONTROL CHANGE 5a AND 6a | 49035 0/005.490.3059 METRIC NUT 7 x 5,5 |
| 435 0/005.430.0320 WEIGH CLUTCH COMPLETE | 49037 0/005.490.3570 (BOLSA 5 uds) TUERCA M1X1 AUTOBLOCANTE AM-5 |
| 657 0/005.650.1421 BRIDGE REGISTERS CABLE OIL PUMP PRICOL | 49040 0/005.490.3490 (BOLSA 5 uds) TUERCA M10X1,25 FILJ.VOLANTE |
| 657 0/005.650.1420 BRIDGE REGISTERS CABLE OIL PUMP | 49041 0/005.490.3370 METRIC NUT 12 x 1,25 |
| 658 0/005.650.1410 BRIDGE CABLE CLUTCH | 49042 0/005.490.3240 METRIC NUT 14 x 1,25 |
| 2467 0/005.240.2050 ENTERED MUFF DILUTES ON PUMP | 49049 0/005.490.3420 METRIC NUT 12 x 1 |
| 2472 0/005.240.2117 INSERT VALVE OF SHEETS | 49056 0/005.490.3470 (BOLSA 5 uds) TUERCA M-12x1.25 AM-5 |
| 2492 0/005.247.0547 PLUG FEEDING OIL | 49068 0/005.490.4127 SPACER O12,4 x 14,4 x 11 |
| 3551 0/005.350.3580 DISK LINED CLUTCH | 49074 0/005.490.4390 SPACER DRUM CLUTCH O13 x 30 x 4 |
| 4040 0/005.400.4787 INTERMEDIATE DOUBLE PINENUT Z = 13/24 | 49084 0/005.490.5140 METRIC SCREW 7 x 115 |
| 4049 0/005.400.5757 PINENUT PUMP OILS | 49095 0/005.490.6099 (BOLSA 5 uds) ARANDELA VISELADA |
| 4610 0/005.460.1070 SPRING EXHAUST | 49101 0/005.490.6129 WASHER O7 JAGGED INTERIOR |
| 4635 0/005.460.3510 SPRING RETAINS MARCH | 49120 0/005.490.6406 (BOLSA 5 uds) ARANDELA 10 x 16 x 0,6 AM5 |
| 4650 0/005.460.1967 SPRING RETAINS FORK SELECTOR | 49122 0/005.490.6426 WASHER STEELS O12 x 17 x 0,6 |
| 4655 0/005.460.2027 SPRING RETAINS LEVER SELECTOR | 49124 0/005.490.6440 WASHER STEELS O12,3 x 22 |
| 4660 0/005.460.2200 SPRING RECOVERY WEIGHS CLUTCH | 49132 0/005.490.6520 (BOLSA 5 uds) ARANDELA ACERO 17.2x30 |
| 4680 0/005.460.3010 WASHER-SPRING | 49135 0/005.490.6556 WASHER STEELS O20,45 x 28 THICKNESS 0,6 |
| 5101 0/005.510.1029 CAGE OF ROLLERS DB 14-12 | 49135 0/005.490.6554 (BOLSA 5 uds) ARANDELA 20.45x28 |
| 5106 0/005.510.1297 CAP FOR SELECTOR SPRING | 49139 0/005.491.6046 WASHER STEELS O14,5 x 27 THICKNESS 0,6 |
| 5146 0/005.510.2039 BEARING O15 x 25 x 11 | 49139 0/005.491.6044 (BOLSA 5 uds) ARANDELA 14,5x27 ESP O,4 EVOL |
| 5148 0/005.510.2059 BEARING O17 x 40 x 12 | 49139 0/005.491.6044 WASHER STEELS O14,5 x 27 THICKNESS 0,4 |
| 5156 0/005.510.2159 BEARING O20 x 47 x 14 | 49151 0/005.491.6096 WASHER STEELS O8,4 x 16 x 0,6 |
| 5172 0/005.510.2299 BEARING O17 x 40 x 12 | 49155 0/005.491.6130 WASHER STEELS O8,2 x 15 x 1 |
| 5178 0/005.510.2652 BEARING O17 x 47 x 14 | 49175 0/005.490.6800 WASHER O12,75 x 28 x 1,5 |
| 5181 0/005.510.4039 BALL 3/16" | 49191 0/005.490.6890 WASHER O5 x 15 x 2 |
| 5182 0/005.510.4079 BALL O9 MM | 49192 0/005.490.7000 (BOLSA 5 uds) ARANDELA 5x15x2 |
| 5308 0/005.530.1149 RING O19 x 1,2 | 49200 0/005.490.8010 SCREW CLUTCH M14 x 1,25 x 18 |
| 5318 0/005.530.1329 RING OF RETENTION O11,8 x 2,4 | 49226 0/005.490.9389 (BOLSA 5 uds) TILLO.METALICO 4X10 EVOL |
| 5320 0/005.530.8020 (BOLSA 5 uds) JUNTA CILINDRO AM-5 | 49227 0/005.490.8420 METRIC SCREW 6 x 6 |
| 5327 0/005.530.3640 (BOLSA 5 uds) JUNTA TAPA EMBRAGUE AM-5 | 49228 0/005.491.9049 (BOLSA 5 uds) TORNILLO 5x20 |
| 5341 0/005.530.4000 (BOLSA 5 uds) JUNTA CUERPO BOMBA AGUA AM-5 | 49230 0/005.490.8460 METRIC SCREW 4 x 10 |
| 5357 0/005.530.4710 SCREW GASKET | 49236 0/005.490.8529 METRIC SCREW 5 x 16 |
| 5358 0/005.530.4720 SCREW 6 x 12 OIL LEVEL GASKET | 49238 0/000.460.0290 METRIC SCREW 6 x 20 |
| 5359 0/005.530.4730 (BOLSA 5 uds) JUNTA FIBRA 8*14 | 49244 0/005.490.8619 METRIC SCREW 6 x 20 |
| 5361 0/005.530.4750 SCREW WATER EXIT 14,1 x 22 x 1 GASKET | 49245 0/000.460.0311 METRIC SCREW 6 x 25 |
| 5362 0/005.530.4790 NEUTRAL INDICATOR GASKET | 49246 0/000.460.0320 METRIC SCREW 6 x 30 |
| 5371 0/005.530.5019 (BOLSA 5 uds) RETEN DE 12*22*7 mm. | 49248 0/005.490.8659 METRIC SCREW 6 x 40 |
| 5372 0/005.530.5029 (BOLSA 5 uds) RETEN 15*24*5 mm. | 49251 0/005.490.8689 METRIC SCREW 6 x 55 |
| 5376 0/005.530.5069 (BOLSA 5 uds) RETEN DE 17*35*8 | 49281 0/005.490.9119 METRIC SCREW 8 x 10 |
| 5395 0/005.530.5339 DETENT 10 x 18 x 8 | 49290 0/005.490.9220 METRIC SCREW 12 x 1,25 |
| 5395 0/005.530.5339 (BOLSA 5 uds) RETEN 10*18*8 RST/80 | 49386 0/005.491.7621 WASHER |
| 5398 0/005.530.5379 (BOLSA 5 uds) RETEN 24X35X7 (VITON) LADO EMBR. | 49840 0/005.497.0669 METRIC SCREW 5 x 35 |
| 5603 0/005.560.0080 FASTENER BOMB DILUTES | 53508 0/005.530.5499 (BOLSA 5 uds) RETEN 20*35*7 DIN 3760 |
| 5605 0/005.560.1460 BAR PUSHER CLUTCH O5 x 116,6 | |
| 5611 0/005.560.2070 PIN | |
| 5612 0/006.050.0077 THERMOSTAT "BEHR THOMSON No 1085" | |
| 5615 0/005.560.2580 CRANKCASE GUIDE O11,5 x 12 | |
| 5616 0/005.560.2610 CRANKCASE GUIDE O8,51 x 7,6 | |
| 5636 0/005.560.9010 SHAFT 7,8 x 72 | |
| 5637 0/005.560.9020 SHAFT 7,8 x 91,5 | |
| 5645 0/005.560.3570 SWITCH DEAD POINT | |
| 5650 0/005.560.9777 SHAFT OIL PUMP | |
| 5653 0/005.560.9787 SHAFT | |
| 5661 0/005.560.4007 ROLLER O3 x 21,8 FOR PINENUT BOMB | |
| 5663 0/005.560.4017 ROLLER O4 x 10 BODY BOMB | |
| 5665 0/005.560.5510 PUSHER CLUTCH O13 IN HEAD | |
| 5670 0/005.560.6100 PISTON PIN | |
| 6013 0/005.600.1290 BODY BOMB DILUTES (FRAM.GT 832222) | |
| 6013 0/005.600.1280 BODY BOMB DILUTES (FRAM.LT 832221) | |
| 15270 0/005.150.6489 JOINT | |
| 15320 0/005.150.7690 BENT TUBE 40 GR. WITH SCREW AND NUT | |
| 49004 0/005.490.0479 BAND FOR TUBE OILS | |



01 RS2MTX\pro\CHASSIS

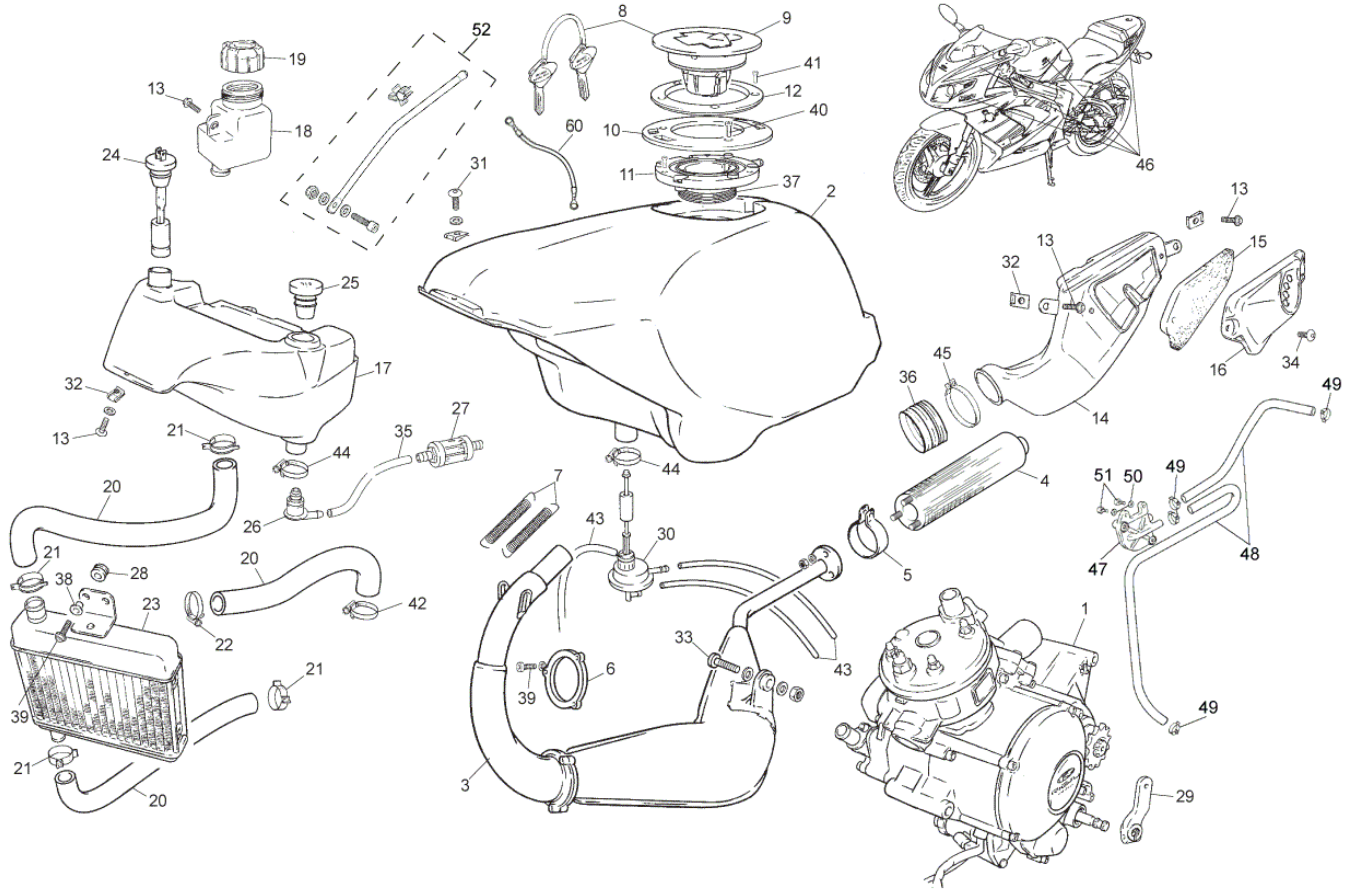
- 1 0/000.010.7000 CHASSIS, FRONT SECTION (FRAM.LT 510049)
- 2 0/000.010.7003 FRAME (FRAM.GT 510050)
- 3 0/000.010.7201 FRONT CRADLE CHASSIS
- 4 0/000.980.7010 ENGINE SUPPORT
- 5 0/000.020.7001 COMPLETE SWINGARM SUSPENSION
- 6 0/000.210.7001 FRAME
- 6 0/000.980.7003 FRAME FASTENING PLATE
- 7 0/000.190.7000 ROCKER SHAFT
- 8 0/000.440.0123 (BOLSA 5 uds) ARANDELA PLANA DE 15
- 9 0/000.410.7200 SWINGARM SHAFT COVER
- 10 0/000.340.0186 NUT, M14
- 11 0/000.360.0400 RADIATOR SILENT-BLOCK RUBBER
- 12 0/000.340.5101 (BOLSA 5 uds) TUERCA RAPIDA M6 DACROMET 500GR
- 13 0/000.680.0070 ELIMINATED OF PRODUCTION. IT IS NOT POSSIBLE T
- 14 0/000.980.7051 SUPPORT PLATE
- 15 0/000.460.0600 (BOLSA 5 uds) TILLO 6921-G8.8 JS500 M6x16
- 16 0/000.460.0340 BOLT, M6
- 17 0/000.440.0160 (BOLSA 5 uds) ARANDELA LIS.8,5x17x1.25 GT-TT
- 18 0/000.340.0180 (BOLSA 5 uds) TUERCA M8 AUTOBL/DIN6926/JS500
- 19 0/000.470.7100 INTERNAL FRAME SPRING
- 20 0/000.470.7000 EXTERNAL FRAME SPRING
- 21 0/000.980.7050 TRESTLE SPRING RETURN SPRING
- 22 0/000.460.7000 (BOLSA 5 uds) TORNILLO CABALLETE PT-102
- 23 0/000.480.7000 TRESTLE SPACER
- 24 0/000.460.0670 (BOLSA 5 uds) TILLO 6921-G8.8 JS500 M8x25
- 25 0/000.340.0180 (BOLSA 5 uds) TUERCA M8 AUTOBL/DIN6926/JS500
- 26 0/000.360.0370 SWINGARM SILENTBLOCK RUBBER
- 27 0/000.360.5001 CHAIN SKID RUBBER
- 28 0/000.380.7000 WHEEL TENSOR
- 29 0/000.460.0745 (BOLSA 5 uds) TILLO.DIN-7982 5.5 X 19
- 30 0/000.460.0322 BOLT, M6
- 31 0/000.340.0170 (BOLSA 5 uds) TUERCA M6 AUTOBL/DIN6926/JS500
- 32 0/000.460.0622 BOLT, M6
- 33 0/000.340.0130 (BOLSA 5 uds) TUERCA ZINCADA M6 DIN 934.8
- 34 0/000.680.0300 HOSE CLAMP
- 35 0/000.460.0720 BOLT
- 36 0/000.730.7101 GEAR-STICK (FRAM.GT 6100)
- 37 0/000.220.7001 CHAIN PROTECTOR
- 38 0/000.240.7000 GEAR-CHANGE CONTROL ROD
- 39 0/000.130.0150 GEAR-CHANGE CONTROL UNION FORK
- 40 0/000.010.7100 FRONT SECTION CHASSIS
- 41 0/000.980.7011 RIGHT PASSENGER FOOTREST SUPPORT
- 42 0/000.980.7002 LEFT PASSENGER FOOTREST SUPPORT
- 43 0/000.740.0211 RIGHT PASSENGER FOOTREST 2009
- 44 0/000.740.7003 RIGHT PASSENGER FOOTREST
- 45 0/000.740.0221 LEFT PASSENGER FOOTREST 2009
- 46 0/000.740.7004 LEFT PASSENGER FOOTREST
- 47 0/000.840.7000 FOOTREST PIN
- 46 0/000.660.7001 FOOTREST POSITIONING PLATE
- 47 0/000.800.7000 PASSENGER FOOTREST BALLS
- 48 0/000.470.7204 PASSENGER FOOTREST SPRING
- 49 0/000.460.0670 (BOLSA 5 uds) TILLO 6921-G8.8 JS500 M8x25
- 50 0/000.340.0180 (BOLSA 5 uds) TUERCA M8 AUTOBL/DIN6926/JS500
- 51 0/000.470.7203 LEFT FOOTREST SPRING DRIVER
- 52 0/000.980.7024 DOSE SUPPORT, HEADLIGHTS, INSTRUMENTS (FRAM.GT
- 52 0/000.980.7021 DOSE SUPPORT, HEADLIGHTS, INSTRUMENTS (FRAM.LT
- 53 0/000.460.0323 BOLT, M6
- 54 0/000.440.0130 (BOLSA 5 uds) ARANDELA LIS.6,5x17x1,5 TT-KS
- 55 0/000.340.0170 (BOLSA 5 uds) TUERCA M6 AUTOBL/DIN6926/JS500
- 56 0/086.070.0700 BRAKE LEVER RUBBER
- 57 0/000.730.7000 BRAKE LEVER (FRAM.LT 6099)
- 57 0/000.730.7001 BRAKE LEVER (FRAM.GT 6100)
- 58 0/000.980.7000 DRIVER FOOTREST SUPPORT
- 59 0/000.980.7006 RIGHT FOOTREST OR SUPPORT
- 60 0/000.220.7000 REAR BRAKE PUMP PLATE SUPPORT
- 61 0/000.740.7000 LEFT DRIVER FOOTREST
- 62 0/000.300.0100 FOOTREST PIN FASTENING RING
- 63 0/000.470.7202 DRIVER'S RIGHT FOOTREST SPRING
- 64 0/000.240.0200 BRAKE PUMP CONTROL ROD
- 65 0/000.840.0090 CONTROL SHAFT PIN
- 66 0/000.840.0060 PIN FASTENING
- 67 0/000.460.0280 BRAKE LEVER STOP BOLT
- 68 0/000.460.1184 FOOTREST OR SUPPORT BOLT
- 69 0/000.460.0311 FOOTREST SUPPORT BOLT
- 70 0/000.460.1184 FOOTREST OR SUPPORT BOLT
- 71 0/000.440.0161 FOOTREST OR SUPPORT WASHER
- 72 0/000.740.7001 DRIVER'S LEFT FOOTREST
- 73 0/000.980.7007 LEFT FOOTREST OR SUPPORT
- 74 0/000.440.7010 FOOTREST OR SUPPORT WASHER
- 75 0/000.460.1184 BOLT ISO-7380 D M6x6
- 80 0/000.330.0060 RIVET M6 HEXSER.9498



02 RS2MTX\pro\PLASTICS

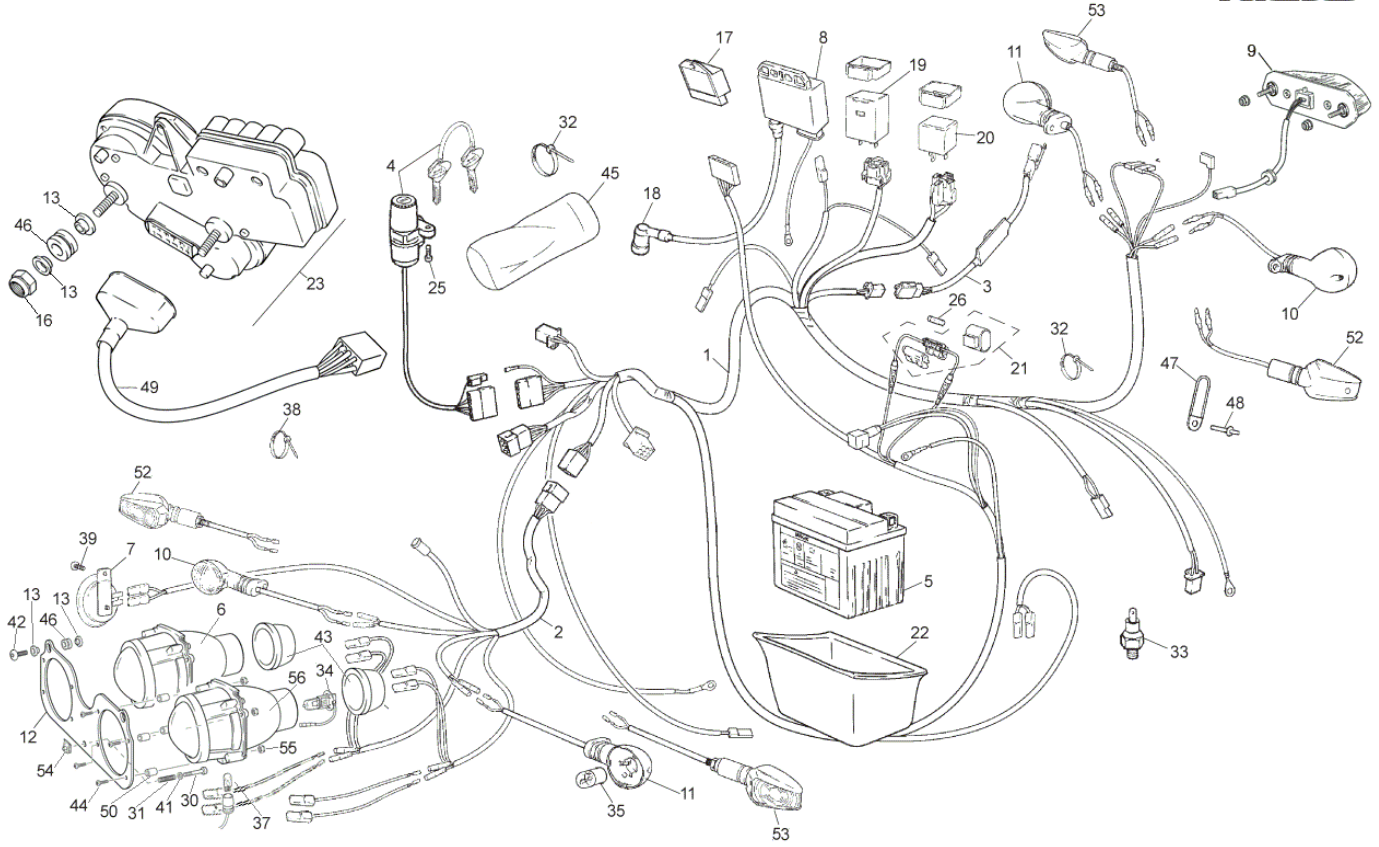
- 1 0/000.570.7235 BLACK RIGHT FAIRING
- 1 0/000.570.7227 ORANGE RIGHT FAIRING
- 2 0/000.570.7228 ORANGE LEFT FAIRING
- 2 0/000.570.7236 BLACK LEFT FAIRING
- 3 0/000.570.7230 ORANGE HEADLIGHT DOME
- 3 0/000.570.7238 BLACK HEADLIGHT DOME
- 4 0/000.570.7240 BLACK REAR SEAT COWLING
- 4 0/000.570.7232 ORANGE REAR SEAT COWLING
- 5 0/000.570.7231 ORANGE TANK COVER
- 5 0/000.570.7239 BLACK TANK COVER
- 6 0/000.570.7229 PLATE ORANGE FARING UNION
- 6 0/000.570.7237 PLATE BLACK FARING UNION
- 7 0/000.050.7006 ORANGE FRONT MUDGUARD
- 7 0/000.050.7007 BLACK FRONT MUDGUARD
- 8 0/000.570.7013 RADIATOR PIPING
- 8 0/000.570.7002 TRANSPARENT DOME
- 10 0/000.040.7000 DRIVER'S SEAT
- 11 0/000.040.7100 PASSENGER'S SEAT
- 12 0/000.060.7101 LICENCE PLATE CARRIER MUDGUARD
- 13 0/000.570.6430 SADDLEBAG
- 14 0/000.060.7000 REAR WHEEL MUDGUARD
- 15 0/000.570.7233 RIGHT SWINGARM PROTECTION
- 16 0/000.570.7234 LEFT SWINGARM PROTECTION
- 17 0/000.570.7124 SET UNDER-SEAT SIDE PLATES
- 19 0/000.570.7022 LEFT HEADLIGHT COVER
- 20 0/000.570.7021 RIGHT HEADLIGHT COVER
- 21 0/000.990.7000 RIGHT REARVIEW MIRROR
- 22 0/000.990.7100 LEFT REARVIEW MIRROR
- 23 0/000.220.0510 MOTOR POWER TRANS. PINION PROTECTOR
- 24 0/000.980.7052 DOUBLE TANK HINGE SUPPORT
- 25 0/000.340.5102 (BOLSA 5 uds) TUERCA RAPIDA M6
- 26 0/000.570.7020 UNDER-SEAT MUDGUARD
- 27 0/000.630.7000 FRONT REFLECTOR
- 28 0/000.630.0550 REAR REFLECTOR
- 29 0/000.460.0460 DRIVER'S SEAT M6 FASTENING BOLT
- 30 0/000.640.7001 SET OF 4 FAIRING VENTILATION GRILLES
- 31 0/000.840.7001 TANK PIN
- 32 0/000.920.7100 RS2 SEAT LATCH
- 33 0/000.480.0711 FAIRING SPACER
- 34 0/000.460.7007 (BOLSA 5 uds) TORNILLO ISO 7380 INOX M 4 X 12
- 35 0/000.340.0171 (BOLSA 5 uds) TUERCA DIN 985.6 M4
- 36 0/000.440.0230 (BOLSA 5 uds) ARANDELA BISELADA 4,25x9x0,8
- 37 0/000.260.7000 TANK CASING SOCKET
- 38 0/000.480.0711 FAIRING SPACER
- 39 0/000.460.0310 TANK FASTENING BOLT
- 40 0/000.340.0170 (BOLSA 5 uds) TUERCA M6 AUTOBL/DIN6926/JIS500
- 41 0/000.460.0327 TANK FASTENING BOLT
- 42 0/000.460.1190 (BOLSA 5 uds) TILLO.ESPECIAL PLAST.ESP/7380 M6X
- 43 0/000.460.7001 (BOLSA 5 uds) TORNILLO TBCE INOX M 6 X 14
- 44 0/000.460.7006 (BOLSA 5 uds) TORNILLO AUT.T.C. ZINC Q 4.8 X 1
- 45 0/000.460.7002 TORNILLO TBCE INOX M6X25
- 46 0/000.460.7003 (BOLSA 5 uds) TORNILLO TBCE SPECIAL M 6 X 16
- 47 0/000.460.5050 (BOLSA 5 uds) TORNILLO ISO 7380 M6 X 16
- 48 0/000.460.7004 (BOLSA 5 uds) TORNILLO AUT.T.C. INOX Q 4.8 X 1
- 49 0/000.340.5101 (BOLSA 5 uds) TUERCA RAPIDA M6 DICKOMET 500GR
- 50 0/000.340.6000 (BOLSA 5 uds) TUERCA RAPIDA FIJACION ADORNA ES
- 51 0/000.340.7000 FAST-ACTION NUT
- 52 0/000.460.0310 TANK FASTENING BOLT
- 53 0/000.460.0285 PINION PROTECTOR COVER FASTENING BOLT
- 54 0/000.460.7005 (BOLSA 5 uds) TORNILLO AUT.T.C. ZINC. Q 3.9 X
- 55 0/000.460.7008 TANK FASTENING BOLT
- 56 0/000.390.7009 CALCA PROTECTOR DEPOSITO
- 56 0/000.390.7011 CALCA PROTECTOR DEPOSITO NEGRO
- 57 0/000.220.7100 RIGHT THERMAL PROTECTOR RS2/EURO 2
- 58 0/000.220.7101 LEFT THERMAL PROTECTOR RS2/EURO 2
- 60 0/000.440.7005 (BOLSA 5 UND.) ARANDELA FIJ.REJILLAS AIREACION

- 79 0/000.460.7004 TORNILLO 4.8x13 INOX
- 80 0/000.440.0131 WASHER



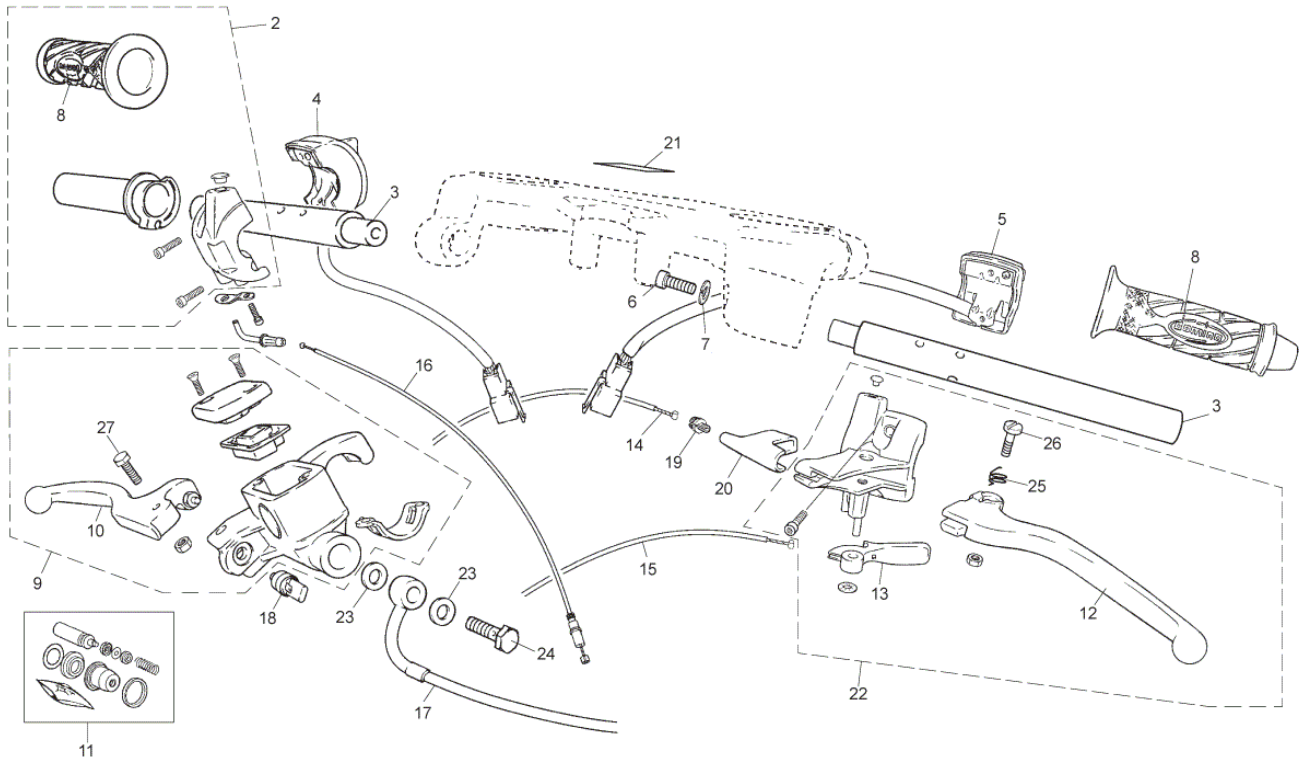
03 RS2MTX\pro\DEPOSIT, ESCAPE TUBE AND RADIATOR

- 1 0/005.082.0408 ENGINE
- 2 0/000.030.7100 PETROL TANK
- 3 0/000.290.7005 COMPLETE EXHAUST PIPE
- 4 0/000.870.7005 PETACA SILENCIADOR RS2/PRO
- 5 0/000.680.7001 EXHAUST PIPE FASTENING CLAMP
- 6 0/000.490.7101 BOLSA JUNTAS ESCAPE RS2/EURO 2
- 7 0/005.460.1070 EXHAUST PIPE RETAINING SPRING
- 8 0/000.920.7000 KIT CONT. KEYS, LATCHES AND PETROL TANK CAP (F
- 8 0/000.920.7200 KIT CONT. KEYS, LATCHES AND PETROL TANK CAP (F
- 9 0/000.410.7300 PETROL TANK CAP ONLY, WITH KEY
- 10 0/000.570.7019 PETROL TANK INTERMEDIATE CLAMP
- 11 0/000.920.7005 PETROL TANK CAP BASE
- 12 0/000.920.7003 PETROL TANK CAP RING ONLY
- 13 0/000.460.0600 (BOLSA 5 uds) TLL0 6921-08.8 JS500 M6x16
- 14 0/000.910.0193 FILTER CASE BODY
- 15 0/001.070.0060 AIR FILTER
- 16 0/000.350.0360 AIR FILTER COVER
- 17 0/000.030.7000 OIL MIXTURE TANK
- 18 0/000.030.0150 DEPOSITO EXPANSION REFRIGERANTE
- 19 0/080.710.9803 COOLANT EXPANSION TANK CAP
- 20 0/000.640.7100 RADIATOR HOSE SET
- 21 0/000.680.0535 CLAMP
- 22 0/000.680.0550 CLAMP
- 23 0/000.580.0040 RADIATOR
- 24 0/000.410.7000 OIL LEVEL PROBE CAP
- 25 0/000.410.0420 OIL TANK CAP
- 26 0/000.370.7001 OIL TANK OUTLET TAP
- 27 0/000.370.7002 OIL MIXTURE FILTER
- 28 0/000.360.0490 RADIATOR UPPER SILENT BLOCK
- 29 0/000.940.7000 GEAR-STICK POMMEL
- 30 0/000.370.7000 PETROL LEVEL PROBE-TAP
- 31 0/000.460.7008 TANK FASTENING BOLT
- 32 0/000.340.5101 (BOLSA 5 uds) TUERCA RAPIDA M6 DACROMET 500GR
- 33 0/000.460.0401 BOLT, M10
- 34 0/000.460.1190 (BOLSA 5 uds) TLL0.ESPECIAL PLAST.ESP/7380 M6X
- 35 0/000.290.0630 OIL PUMP FEED PIPE
- 36 0/000.360.0472 CARBURETTOR / FILTER BOX UNION
- 37 0/000.490.7000 PETROL TANK CAP O-RING
- 38 0/000.480.0710 SEPARATOR SINE BLOK
- 39 0/000.460.0310 TANK FASTENING BOLT
- 40 0/000.460.0204 PETROL TANK CAP FASTENING BOLT
- 41 0/000.460.7009 PETROL TANK CAP FASTENING RING BOLT
- 42 0/000.680.0560 HOSE FASTENING CLAMP
- 43 0/000.290.0420 OIL / PETROL PIPE, 6 x 9
- 44 0/000.680.0520 FASTENING CLAMP
- 45 0/000.680.0150 CARBURETTOR NOZZLE FASTENING CLAMP
- 46 0/000.390.7007 COMPLETE ORANGE SHIM SET
- 46 0/000.390.7008 COMPLETE ORANGE SHIM SET
- 47 0/000.640.0000 AIR FILTER
- 48 0/000.640.7101 VALVE PIPE SET
- 49 0/000.680.0534 LOCK. CLAMP
- 50 0/000.440.0131 LOCK. WASHER
- 51 0/000.460.0300 (BOLSA 5 uds) TLL0 DIN 912 JS500 M6x16
- 52 0/000.240.7010 CUTO. VARILLA Y FIJACION DEPOSITO
- 60 0/000.160.7012 INSTALACION CONVERTOR KIT CERRADURA RS2 125



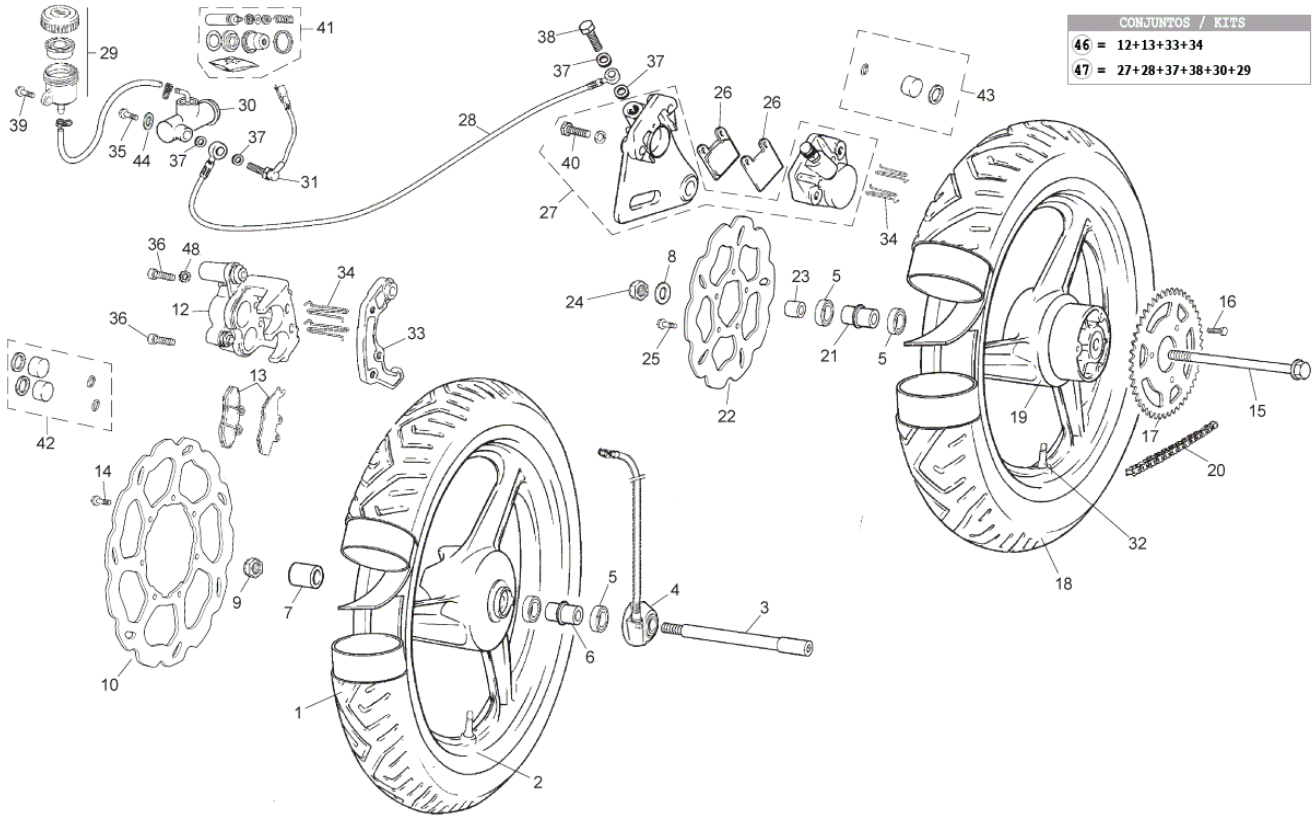
04 RS2MTX\pro\SYSTEM ELECTRICS AND LIGHTS

- 1 0/000.160.7005 ELECTRICAL INSTALLATION
- 2 0/000.160.7006 AUXILIARY INSTALLATION
- 3 0/000.160.7103R ELECTRONIC CIRCUIT INSTALLATION
- 4 0/000.920.7101 IGNITION SWITCH KIT WITH KEY
- 5 0/000.900.6000 BATTERY 12V 3 AMP.
- 6 0/000.600.7002 ELISSOIDAL HEADLIGHT OPTICS
- 7 0/000.420.5010 HOEN
- 8 0/005.070.2005 IGNITION COIL
- 9 0/000.150.7002 REAR LAMP UNIT 8 LEDS (FRAM.GT 827297)
- 9 0/000.150.7001 COMPLETE REAR LAMP UNIT (FRAM.LT 827296)
- 10 0/000.150.2100 RIGHT INDICATOR LAMP
- 11 0/000.150.2200 HEADLIGHT ASSEMBLY SUPPORT
- 12 0/000.980.7041 CTA CLOCK RPM ONLY
- 13 0/000.480.0710 SEPARATOR
- 14 0/001.000.7002 PLASTIC INSTRUMENT PANEL SUPPORT
- 15 0/000.980.7031 REGULATOR COIL
- 16 0/000.340.0170 (BOLSA 5 uds) TUERCA M6 AUTOBL/DIN6926/JS500
- 17 0/005.070.5000 FLASHING CONTROL
- 18 0/005.110.2022 IGNITION RELAY
- 19 0/001.200.5030 FUSE BOX, 10 AMP
- 20 0/001.200.6002 RELE ARRANQUE S/GOMA S/CONECTOR GUILERA
- 21 0/000.910.0410 INSTRUMENT PANEL ASSEMBLY
- 22 0/000.980.5009 INDICATOR BOX SUPPORT RUBBER AND RELAY
- 23 0/001.000.7004 SPEEDO TABLIER (FRAM.LT 927795)
- 23 0/001.000.7006 TABLIER KOSO
- 25 0/000.460.2003 INSTRUMENT PANEL SILENT-BLOCK RUBBER
- 26 0/000.910.0420 REAR PLASTIC PILOT LAMP ONLY
- 30 0/000.460.0324 INSTALLATION FASTENING CLAMP
- 31 0/000.470.7206 HEAT-CONTACT BOLT
- 32 0/000.680.0060 LARA LAMP, 12V, 15W
- 33 0/000.460.1150 TORNILLO TEMP 1120
- 33 0/000.460.1151 TORNILLO TAPON Sonda TEMP.
- 34 0/000.850.7005 SIDELIGHT BULB-HOLDER
- 35 0/000.850.0640 SIDELIGHT BULB, 12V, 5W
- 36 0/000.620.7000 INSTALLATION FASTENING CLAMP
- 37 0/000.850.7001 LAMP LIGHT BEACON POSITION
- 38 0/000.680.0070 ELIMINATED OF PRODUCTION. IT IS NOT POSSIBLE T
- 39 0/000.460.1190 (BOLSA 5 uds) TILO.ESPECIAL PLAST.ESP/7380 M6X
- 40 0/000.340.0130 (BOLSA 5 uds) TUERCA ZINCADA M6 DIN 934.8
- 41 0/000.440.0130 (BOLSA 5 uds) ARANDELA LIS.6,5x17x1,5 TT-KS
- 42 0/000.460.1182 (BOLSA 5 uds) TILO.ESPECIAL PLAST.M6 X 15
- 43 0/000.360.7002 headlight protective hood rubber
- 44 0/000.460.7030 (BOLSA 5 uds) TORNILLO FIJ. FARO MATRIX/PRO
- 45 0/000.760.0020 PROTECTIVE PLASTIC BAG
- 46 0/000.360.0490 RADIATOR UPPER SILENT BLOCK
- 47 0/000.980.5004 INSTALLATION WIRING FASTENING SUPPORT
- 48 0/000.330.0030 RIVET, 3.2 X 8
- 49 0/000.160.7010 INSTRUMENT PANEL ELECTRICAL INST. (FRAM.GT 927
- 49 0/000.160.7007 INSTRUMENT PANEL ELECTRICAL INSTALLATION (FRAM
- 50 0/000.480.7008 SEPARATOR FROM FIXING OPTICS
- 52 0/000.150.7100 LEFT INDICATOR LAMP COBRA
- 53 0/000.150.7101 CTA TACHOMETER KILOMETRES ONLY COBRA
- 55 0/000.340.0171 (BOLSA 5 uds) TUERCA DIN 985.6 M4
- 56 0/000.600.7001 ELISSOIDAL HEADLIGHT OPTICS



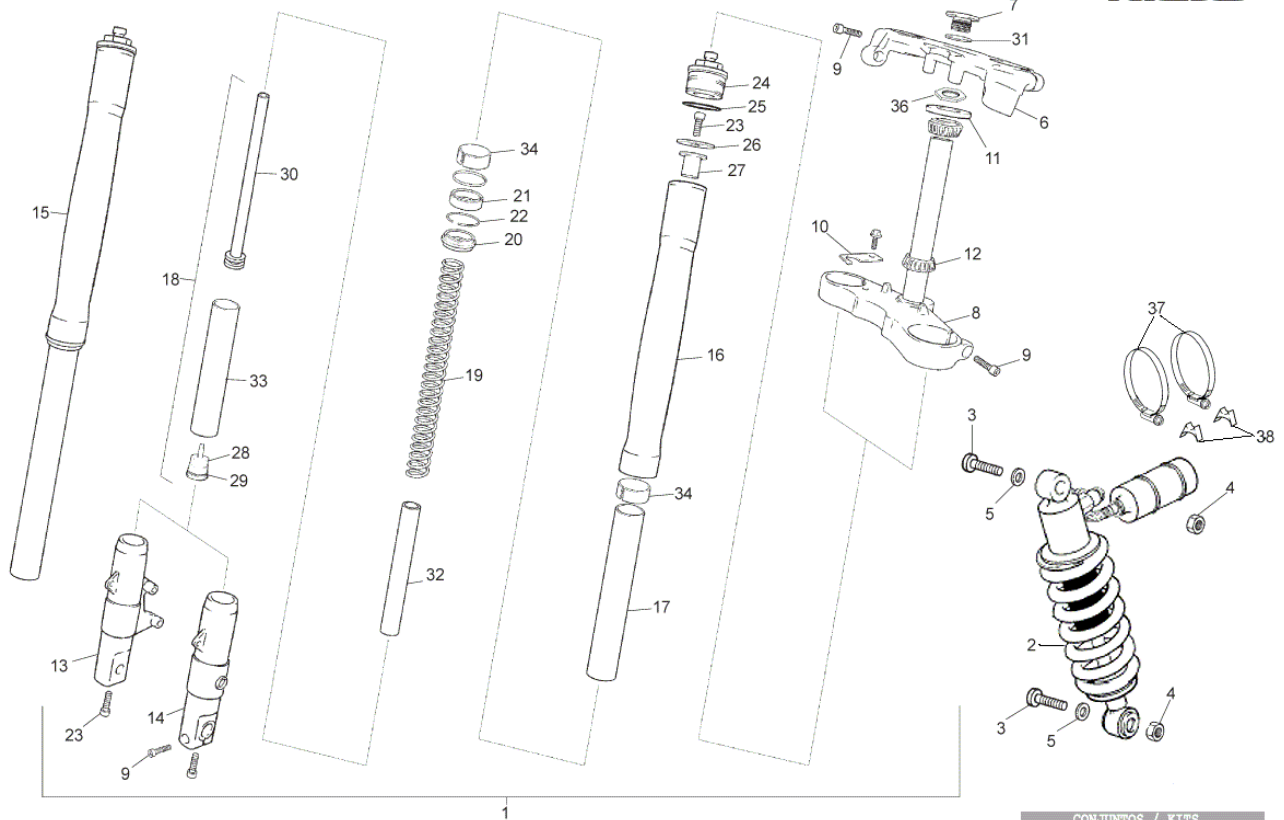
05 RS2MTX\pro\MANILLARES AND CONTROLS

- 1 0/000.660.7102 UPPER FORK PLATE
- 2 0/000.530.7000 COMPLETE GAS CUFF
- 3 0/000.170.7001 RIGHT/LEFT HALF HANDLEBAR
- 4 0/000.720.5001 RIGHT SWITCH CONTROL
- 5 0/000.720.5000 LEFT SWITCH CONTROL
- 6 0/000.460.0345 (BOLSA 5 uds) TORNILLO DIN.912 M8 X 25 JS-500
- 7 0/000.440.0210 LOCK WASHER
- 8 0/000.530.0420 SET THROTTLE
- 9 0/000.820.7001 FRONT PUMP WITH LEVER
- 10 0/000.830.7100 FRONT BRAKE PUMP LEVER
- 11 0/000.640.7200 PUMP REPAIR KIT
- 12 0/000.830.0310 CLUTCH PEDAL
- 13 0/000.830.5110 SINGLE STARTER LEVER
- 14 0/000.550.7003 COMPLETE CLUTCH CABLE
- 15 0/000.550.7002 COMPLETE IGNITION CABLE
- 16 0/000.550.5005 COMPLETE GAS CABLE FOR PRICOL OIL PUMP
- 17 0/000.550.5004 COMPLETE GAS CABLE EURO 2
- 18 0/000.290.7103 FRONT DISC BRAKE HOSE PRO
- 19 0/000.640.7208 FRONT BRAKE STOP SWITCH FOR J.JUAN PUMP
- 20 0/000.720.0070 FRONT BRAKE SWITCH
- 21 0/000.640.5700 CLUTCH CABLE TENSOR
- 22 0/000.360.0483 RUBBER PROTEC. CLUTCH CABLE AND TENSOR
- 23 0/000.390.1503 UPPER SUSPENSION CLAMP PLATE SHIM
- 24 0/000.830.7000 SET CLUTCH PEDAL WITH IGNITION
- 25 0/000.440.1040 (BOLSA 5 uds) ARANDELA JUNTA FRENO DISCO
- 26 0/000.460.1300 (BOLSA 5 uds) TLLLO.RACORD TUBO F.D.BREMO
- 27 0/000.470.0660 (BOLSA 5 uds) MUELLE RECUP.MANETA
- 28 0/000.460.1530 CLUTCH PEDAL FASTENING BOLT
- 29 0/000.460.0421 FRONT BRAKE LEVER FASTENING BOLT



06 RS2MTX\pro\WHEELS AND CONTROLS

- 1 0/000.510.0550 100/80/17" FRONT COVER
- 2 0/000.230.7000 COMPLETE FRONT TYRE GREY (FRAM.LT 509947)
- 2 0/000.230.7001 COMPLETE FRONT TYRE ORANGE (FRAM.LT 509947)
- 2 0/000.230.7011 MULTISPOKE FRONT TYRE ORANGE 2006 (FRAM.GT 509947)
- 3 0/000.190.7100 FRONT WHEEL AXLE, M14
- 4 0/001.010.7003 RETURN ODOMETER WITH CABLE
- 5 0/000.960.7000 REAR BEARING 6302
- 6 0/000.480.7003 FRONT WHEEL BEARING SPACER
- 7 0/000.480.7002 LEFT WHEEL DISC BRAKE SIDE WASHER
- 8 0/000.440.0123 (BOLSA 5 uds) ARANDELA PLANA DE 15
- 9 0/000.340.7010 NUT, M12
- 10 0/001.090.7002 FRONT DISC BRAKE
- 12 0/000.860.7000 COMPLETE FRONT BRAKE CLIP
- 13 0/000.930.7000 FRONT BRAKE CLIP CLAMP
- 14 0/000.460.0620 (BOLSA 5 uds) TILLO 6921-GR.8 JS500 M6x25
- 15 0/000.190.7200 REAR WHEEL AXLE, M14
- 16 0/000.460.0670 (BOLSA 5 uds) TILLO 6921-GR.8 JS500 M8x25
- 17 0/000.500.7000 FRICTION PLATE, Z 47
- 18 0/000.510.0560 130/70/17" REAR COVER
- 19 0/000.230.7100 COMPLETE GREY REAR WHEEL RIM (FRAM.LT 509947)
- 19 0/000.230.7101 COMPLETE ORANGE REAR WHEEL RIM (FRAM.LT 509947)
- 19 0/000.230.7111 MULTISPOKE REAR TYRE ORANGE 2006 (FRAM.GT 509947)
- 20 0/001.050.0210 420 GSY CHAIN, 126 LINKS
- 21 0/000.480.7004 REAR WHEEL BEARING SPACER
- 22 0/001.090.7102 REAR DISC BRAKE
- 23 0/000.480.7001 REAR WHEEL DISC BRAKE SIDE WASHER
- 24 0/000.340.7020 (BOLSA 5 uds) TUERCA DIN/6926 M14 X 150 RS2 JS
- 25 0/000.460.0620 (BOLSA 5 uds) TILLO 6921-GR.8 JS500 M6x25
- 26 0/000.930.7001 REAR BRAKE CLIP CLAMP
- 26 0/000.640.7221 REAR BRAKE CLIP CLAMP J.JUAN
- 27 0/000.860.7002 COMPLETE REAR BRAKE CLIP
- 27 0/000.860.7004 COMPLETE REAR BRAKE CLIP J.JUAN
- 28 0/000.290.7101 REAR DISC BRAKE PIPE TO PUMP
- 28 0/000.290.7105 REAR DISC BRAKE PIPE TO PUMP J.JUAN
- 29 0/000.030.0170 BRAKE FLUID TANK J.JUAN
- 30 0/000.820.7008 SOLA REAR BRAKE PUMP J.JUAN
- 30 0/000.820.0311 SOLA REAR BRAKE PUMP A.J.P
- 31 0/000.720.0073 REAR STOP SWITCH
- 32 0/000.640.7000 TUBELESS VALVE
- 33 0/000.980.7100 FRONT BRAKE CLIP FLOATING SUPPORT
- 34 0/000.640.0110 JAW SUPPORTS CLIPS
- 35 0/000.460.1184 REAR BRAKE PUMP FASTENING BOLTS
- 36 0/000.460.0345 (BOLSA 5 uds) TORNILLO DIN.912 M8x25 JS-500 (F)
- 36 0/000.460.0320 CLAMP BOLT, M8 (FRAM.GT 509029)
- 37 0/000.440.1040 (BOLSA 5 uds) ARANDELA JUNTA FRENO DISCO
- 38 0/000.460.1300 (BOLSA 5 uds) TILLO RACORD TUBO F.D.BREMO
- 39 0/000.460.6000 DISC BRAKE LIQUID TANK FASTENING BOLT
- 40 0/000.460.0350 NUT, M8 X 35
- 41 0/000.640.7216 REAR PUMP REPAIR KIT J.JUAN
- 41 0/000.640.7201 REAR PUMP REPAIR KIT
- 42 0/000.640.0415 FRONT DISC BRAKE CLIP REPAIR KIT
- 43 0/000.640.0420 REAR DISC BRAKE CLIP REPAIR KIT
- 43 0/000.640.7223 REAR DISC BRAKE CLIP REPAIR KIT J.JUAN
- 44 0/000.440.0131 SLICE SCREW FROM FIXATION BOMB
- 46 0/000.820.7205 TOGETHER BEFORE BRAKES
- 46 0/000.820.7220 TOGETHER BEFORE BRAKES J.JUAN
- 47 0/000.820.7110 TOGETHER BACK BRAKES
- 47 0/000.820.7120 TOGETHER BACK BRAKES J.JUAN
- 48 0/000.440.0011 ARANDELA ELASTICA (FRAM.GT 509029)



CONJUNTOS / KITS	
39	= 15+13
40	= 15+14

07 RS2MTX\pro\SUSPENSION

- 1 0/000.130.7010 COMPLETE FORK PRO
- 2 0/000.180.7010 SHOCK ABSORBER
- 3 0/000.460.0402 (BOLSA 5 uds) TILLO DIN 912 JS500 M10x50
- 4 0/000.340.0182 (BOLSA 5 uds) TUERCA M10 AUTOBL/DIN6926/JS500
- 5 0/000.440.0110 (BOLSA 5 uds) ARANDELA BIS 10x24x1.5
- 6 0/000.660.7102 UPPER FORK PLATE
- 7 0/000.340.7101 UPPER FORK NUT
- 8 0/000.660.7301 LOWER PLATE WITH SHANK
- 9 0/000.460.0350 NUT, M8 X 35
- 10 0/000.660.7000 LEFT BRAKE HOSE GUIDE PLATE
- 11 0/000.200.7000 STEERING BEARING DUST COVER
- 12 0/000.960.0200 STEERING BEARING
- 13 0/000.880.7000 RIGHT FORK TIP
- 14 0/000.880.7001 LEFT FORK TIP
- 15 0/000.880.7004 LEFT / RIGHT LEG COMPLETE WITHOUT TIP
- 16 0/000.880.7005 LEFT / RIGHT BOTTLE
- 17 0/000.480.7100 SPRING SPACER
- 18 0/000.290.7200 COMPLETE FORK BAR
- 19 0/000.470.7301 FORK SPRING
- 20 0/000.890.7000 ELIMINATED OF PRODUCTION. IT IS NOT POSSIBLE T
- 21 0/000.890.5010 OIL RETAINER
- 22 0/000.300.5000 FASTENING RING
- 23 0/000.460.0345 (BOLSA 5 uds) TORNILLO DIN.912 M8 X 25 JS-500
- 24 0/000.410.7100 UPPER BAR PLUG
- 25 0/000.490.7200 O-RING
- 26 0/000.440.7000 WASHER
- 27 0/000.710.7000 SPRING GUIDE
- 28 0/000.410.7101 LOWER PLUG
- 29 0/000.490.7201 O-RING
- 30 0/000.290.7204 INTERNAL SPINDLE
- 31 0/000.440.0050 UPPER PLATE NUT WASHER
- 32 0/000.290.7203 COMPLETE HYDRAULIC CARTRIDGE
- 33 0/000.290.7200 FORK BAR
- 34 0/000.300.7001 STOP SPACER RING
- 35 0/000.460.0600 (BOLSA 5 uds) TILLO 6921-G8.8 JS500 M6x16
- 36 0/000.340.0550 NUT FORK INTERMEDIATES
- 37 0/000.680.7002 FLANGE 32/50
- 38 0/000.360.0250 BOTTLE RUBBER
- 39 0/000.640.7304 RIGHT LEG COMPLETE
- 40 0/000.640.7305 LEFT LEG COMPLETE