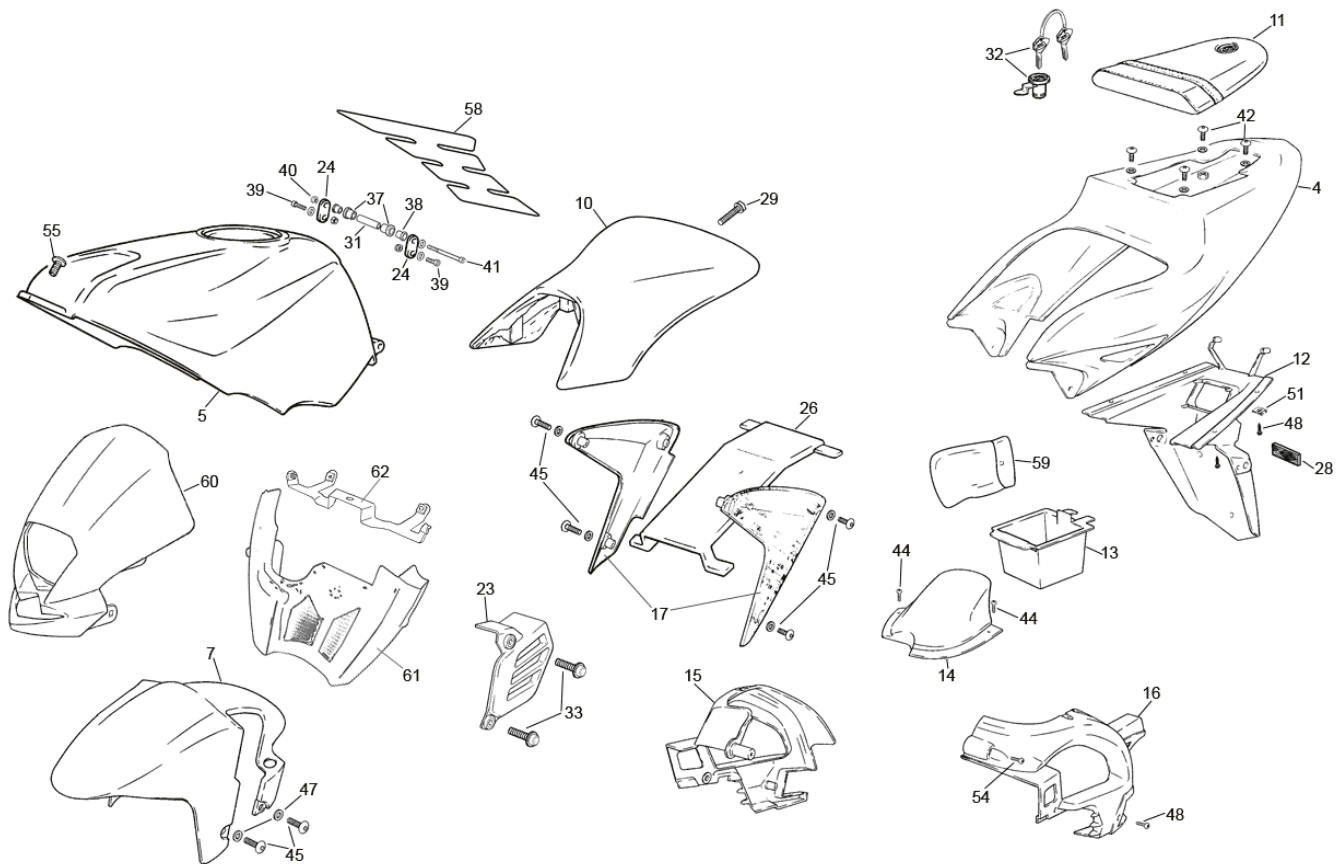


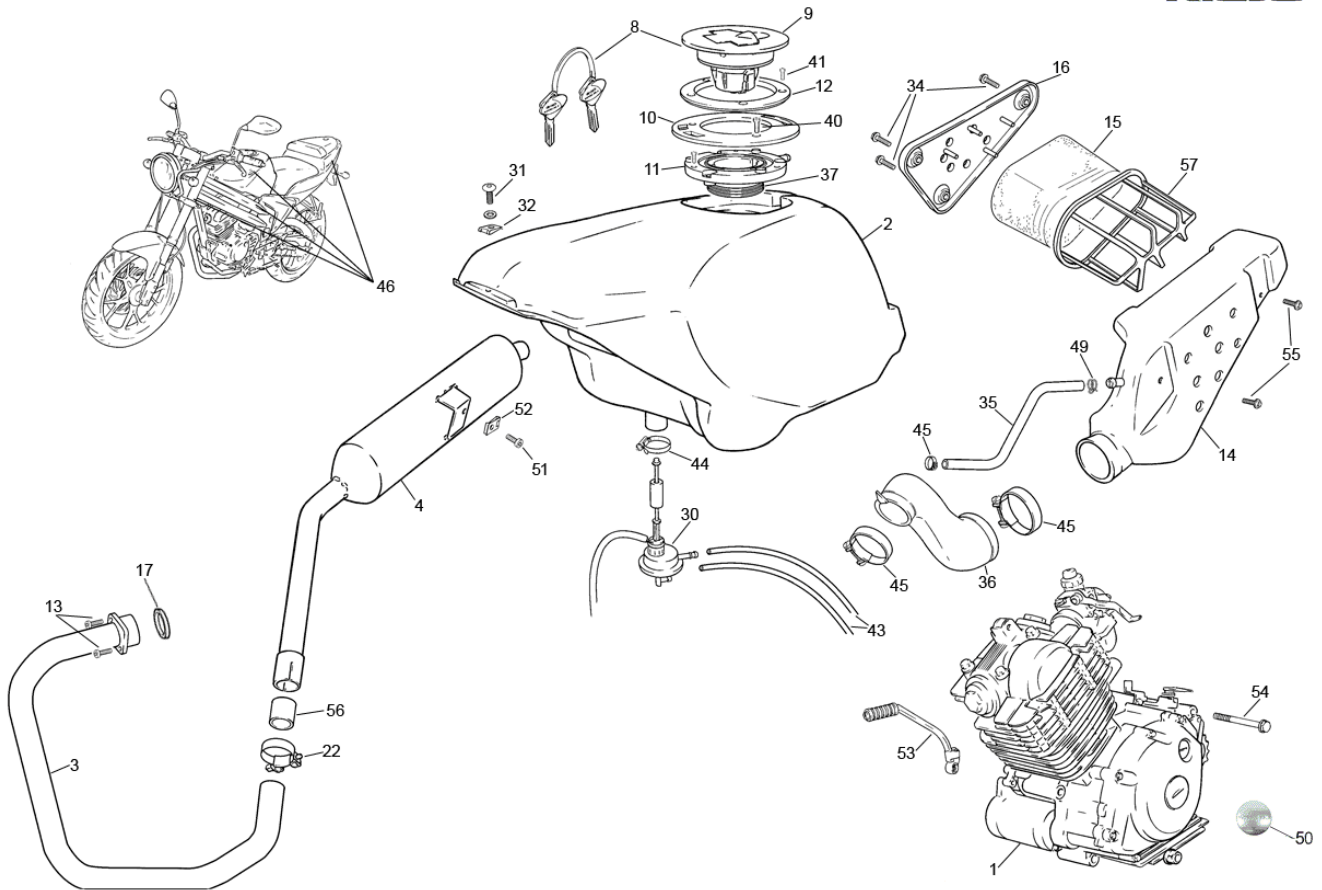
01 RS2NKD\k6y\CHASSIS

- 1 0/000.010.7002 CHASSIS, FRONT SECTION
- 2 0/000.010.6100 FRONT CRADLE CHASSIS
- 3 0/000.980.6101 ENGINE SUPPORT
- 4 0/000.020.7001 COMPLETE SWINGARM SUSPENSION
- 5 0/000.210.7000 FRAME
- 7 0/000.190.7000 ROCKER SHAFT
- 8 0/000.440.0123 (BOLSA 5 uds) ARANDELA PLANA DE 15
- 9 0/000.410.7200 SWINGARM SHAFT COVER
- 10 0/000.340.0186 NUT, M14
- 12 0/000.340.5101 (BOLSA 5 uds) TUERCA RAPIDA M6 DACROMET 500GR
- 17 0/000.440.0160 (BOLSA 5 uds) ARANDELA LIS.8,5x17x1.25 GT-TT
- 18 0/000.340.0180 (BOLSA 5 uds) TUERCA M8 AUTOBL/DIN6926/JS500
- 19 0/000.470.7100 INTERNAL FRAME SPRING
- 20 0/000.470.7000 EXTERNAL FRAME SPRING
- 21 0/000.980.7050 TRESTLE SPRING RETURN SPRING
- 22 0/000.460.7000 (BOLSA 5 uds) TORNILLO CABALLETE PT-102
- 23 0/000.480.7000 TRESTLE SPACER
- 24 0/000.460.0670 (BOLSA 5 uds) TLL0 6921-G8.8 JS500 M8x25
- 25 0/000.340.0180 (BOLSA 5 uds) TUERCA M8 AUTOBL/DIN6926/JS500
- 26 0/000.360.0370 SWINGARM SILENTBLOCK RUBBER
- 27 0/000.360.5001 CHAIN SKID RUBBER
- 28 0/000.380.7000 WHEEL TENSOR
- 29 0/000.460.0745 (BOLSA 5 uds) TLL0.DIN-7982 5.5 X 19
- 30 0/000.460.0322 BOLT, M6
- 31 0/000.340.0170 (BOLSA 5 uds) TUERCA M6 AUTOBL/DIN6926/JS500
- 32 0/000.460.0622 BOLT, M6
- 33 0/000.340.0130 (BOLSA 5 uds) TUERCA ZINCADA M6 DIN 934.8
- 34 0/000.680.0300 HOSE CLAMP
- 35 0/000.460.0720 BOLT
- 36 0/000.730.7101 GEAR-STICK
- 37 0/000.220.7001 CHAIN PROTECTOR
- 38 0/000.240.7000 GEAR-CHANGE CONTROL ROD
- 39 0/000.130.0150 GEAR-CHANGE CONTROL UNION FORK
- 40 0/000.010.7100 FRONT SECTION CHASSIS
- 41 0/000.980.7011 RIGHT PASSENGER FOOTREST SUPPORT
- 42 0/000.980.7002 LEFT PASSENGER FOOTREST SUPPORT
- 43 0/000.740.7003 RIGHT PASSENGER FOOTREST
- 44 0/000.740.7004 LEFT PASSENGER FOOTREST
- 45 0/000.840.7000 FOOTREST PIN
- 46 0/000.660.7001 FOOTREST POSITIONING PLATE
- 47 0/000.800.7000 PASSENGER FOOTREST BALLS
- 48 0/000.470.7204 PASSENGER FOOTREST SPRING
- 49 0/000.460.0670 (BOLSA 5 uds) TLL0 6921-G8.8 JS500 M8x25
- 50 0/000.340.0180 (BOLSA 5 uds) TUERCA M8 AUTOBL/DIN6926/JS500
- 51 0/000.470.7203 LEFT FOOTREST SPRING DRIVER
- 52 0/000.980.7120 SUPPOR HEADLIGHTS
- 53 0/000.460.0300 (BOLSA 5 uds) TLL0 DIN 912 JS500 M6x16
- 54 0/000.460.0600 (BOLSA 5 uds) TLL0 6921-G8.8 JS500 M8x16
- 55 0/000.340.0170 (BOLSA 5 uds) TUERCA M6 AUTOBL/DIN6926/JS500
- 56 0/086.070.0700 BRAKE LEVER RUBBER
- 57 0/000.730.6010 BRAKE LEVER
- 58 0/000.980.7000 DRIVER FOOTREST SUPPORT
- 59 0/000.980.7006 RIGHT FOOTREST OR SUPPORT
- 60 0/000.220.7000 REAR BRAKE PUMP PLATE SUPPORT
- 61 0/000.740.7000 LEFT DRIVER FOOTREST
- 62 0/000.300.0100 FOOTREST PIN FASTENING RING
- 63 0/000.470.7202 DRIVER'S RIGHT FOOTREST SPRING
- 64 0/000.240.0200 BRAKE PUMP CONTROL ROD
- 65 0/000.840.0090 CONTROL SHAFT PIN
- 66 0/000.840.0060 PIN FASTENING
- 67 0/000.460.0280 BRAKE LEVER STOP BOLT
- 68 0/000.460.1184 FOOTREST OR SUPPORT BOLT
- 69 0/000.460.0311 FOOTREST SUPPORT BOLT
- 70 0/000.460.1184 FOOTREST OR SUPPORT BOLT
- 71 0/000.440.0161 FOOTREST OR SUPPORT WASHER
- 72 0/000.740.7001 DRIVER'S LEFT FOOTREST
- 73 0/000.980.7007 LEFT FOOTREST OR SUPPORT
- 74 0/000.440.7010 FOOTREST OR SUPPORT WASHER
- 75 0/000.460.1184 BOLT ISO-7380 D M6X6
- 77 0/000.340.0182 (BOLSA 5 uds) TUERCA M10 AUTOBL/DIN6926/JS500
- 78 0/000.980.6102 ENGINE SUPPORT
- 79 0/000.460.6210 TORNILLO DIN 912 10x70
- 80 0/000.330.0060 RIVET M6 HEXSER.9498
- 80 0/000.980.6001 ENGINE SUPPORT
- 81 0/000.460.0471 BOLT, M6
- 82 0/000.460.0550 (BOLSA 5 uds) TLL0 6921-G8.8 JS500 M8x100
- 83 0/000.460.0550 (BOLSA 5 uds) TLL0 6921-G8.8 JS500 M8x100
- 84 0/000.460.0651 BOLT
- 85 0/000.460.0550 (BOLSA 5 uds) TLL0 6921-G8.8 JS500 M8x100
- 86 0/000.980.6103 SUPPORT



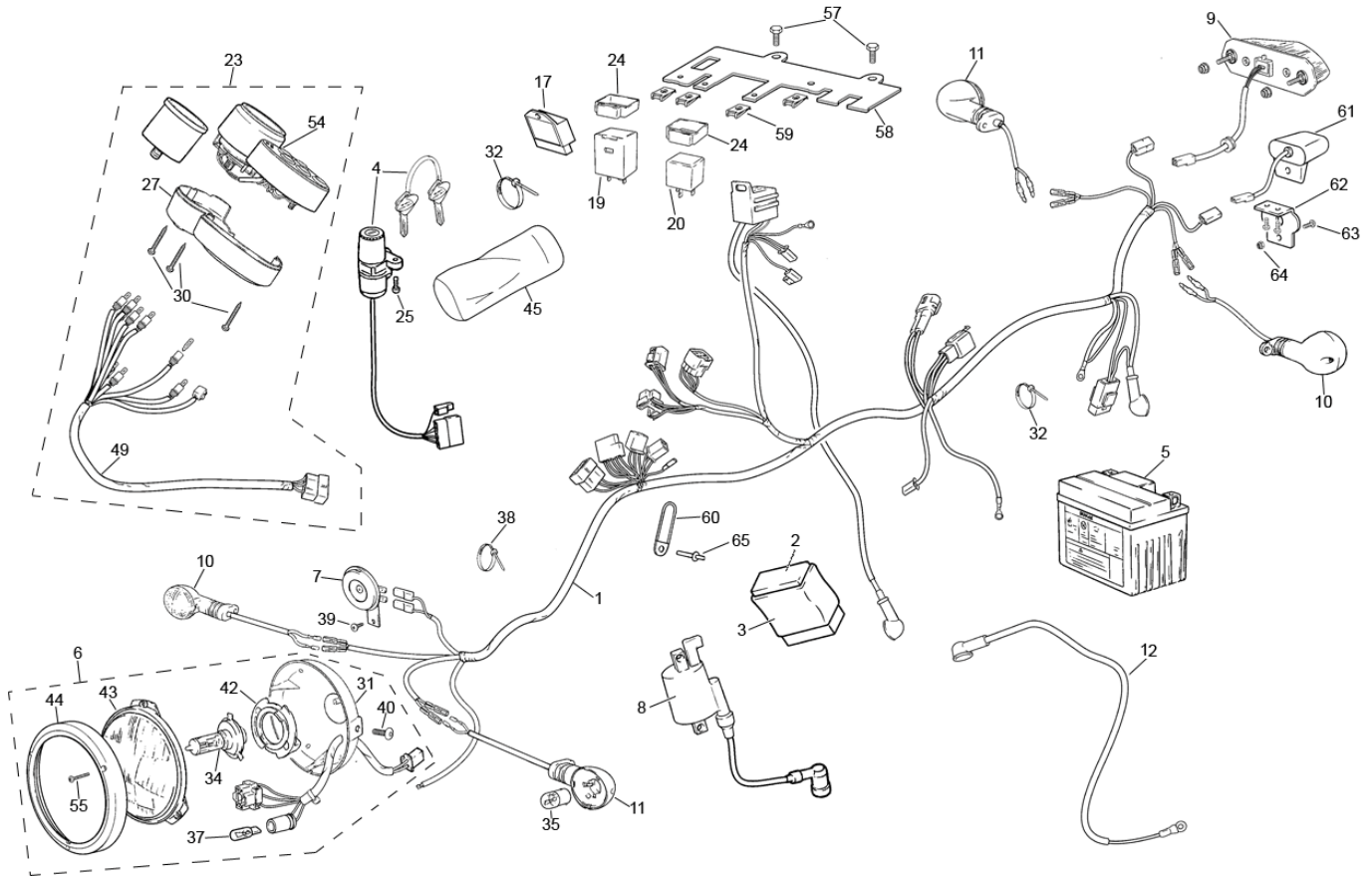
02 RS2NKD\k6y\PLASTICS

- 4 0/000.570.7242 BLACK REAR SEAT COWLING (FRAM.LT 400923)
- 4 0/000.570.7241 BLUE REAR SEAT COWLING (FRAM.GT 5196)
- 4 0/000.570.7244 RED REAR SEAT COWLING (FRAM.LT 5195)
- 4 0/000.570.7243 GREY REAR SEAT COWLING
- 5 0/000.570.7246 BLACK TANK COVER
- 5 0/000.570.7245 BLUE TANK COVER
- 5 0/000.570.7248 RED TANK COVER
- 5 0/000.570.7247 GREY TANK COVER
- 7 0/000.050.7004 BLACK FRONT MUDGUARD
- 7 0/000.050.7001 BLUE FRONT MUDGUARD
- 7 0/000.050.7009 RED FRONT MUDGUARD
- 7 0/000.050.7008 GREY FRONT MUDGUARD
- 10 0/000.040.7000 DRIVER'S SEAT
- 11 0/000.040.7100 PASSENGER'S SEAT
- 12 0/000.070.7101 LICENCE PLATE CARRIER MUDGUARD
- 13 0/000.570.6430 SADDLEBAG
- 14 0/000.060.7000 REAR WHEEL MUDGUARD
- 15 0/000.570.7233 RIGHT SWINGARM PROTECTION
- 16 0/000.570.7234 LEFT SWINGARM PROTECTION
- 17 0/000.570.7124 SET UNDER-SEAT SIDE PLATES
- 19 0/000.570.7022 LEFT HEADLIGHT COVER
- 20 0/000.570.7021 RIGHT HEADLIGHT COVER
- 23 0/000.220.6000 MOTOR POWER TRANS. PINION PROTECTOR
- 24 0/000.980.7052 DOUBLE TANK HINGE SUPPORT
- 25 0/000.340.5102 (BOLSA 5 uds) TUERCA RAPIDA M6
- 26 0/000.570.7020 UNDER-SEAT MUDGUARD
- 27 0/000.630.7000 FRONT REFLECTOR
- 28 0/000.630.0550 REAR REFLECTOR
- 29 0/000.460.0460 DRIVER'S SEAT M6 FASTENING BOLT
- 30 0/000.640.7001 SET OF 4 FAIRING VENTILATION GRILLES
- 31 0/000.840.7001 TANK PIN
- 32 0/000.920.7100 RS2 SEAT LATCH
- 33 0/000.480.0711 FAIRING SPACER
- 34 0/000.460.7007 (BOLSA 5 uds) TORNILLO ISO 7380 INOX M 4 X 12
- 35 0/000.340.0171 (BOLSA 5 uds) TUERCA DIN 985.6 M4
- 36 0/000.440.0230 (BOLSA 5 uds) ARANDELA BISELADA 4,25x9x0,8
- 37 0/000.260.7000 TANK CASING SOCKET
- 38 0/000.480.0711 FAIRING FIBRE SPACER
- 39 0/000.460.0310 TUERCA M8 NUT
- 40 0/000.340.0170 (BOLSA 5 uds) TUERCA M6 AUTOBL/DIN6926/JS500
- 41 0/000.460.0327 TANK FASTENING BOLT
- 42 0/000.460.1190 (BOLSA 5 uds) TILLO.ESPECIAL PLAST.ESP/7380 M6X
- 43 0/000.460.7001 (BOLSA 5 uds) TORNILLO TBCE INOX M 6 X 14
- 44 0/000.460.7006 (BOLSA 5 uds) TORNILLO AUT.T.C. ZINC Q 4.8 X 1
- 45 0/000.460.7002 (BOLSA 5 uds) TORNILLO TBCE INOX M 6 X 25
- 46 0/000.460.7003 (BOLSA 5 uds) TORNILLO TBCE INOX M 6 X 16
- 48 0/000.460.7004 (BOLSA 5 uds) TORNILLO AUT.T.C. INOX Q 4.8 X 1
- 49 0/000.340.5101 (BOLSA 5 uds) TUERCA RAPIDA M6 DACHOMET 500GR
- 50 0/000.340.6000 (BOLSA 5 uds) TUERCA RAPIDA FIJACION ADORNA ES
- 51 0/000.340.7000 FAST-ACTION NUT
- 52 0/000.460.0310 TUERCA M8 NUT
- 53 0/000.460.0610 (BOLSA 5 uds) TILLO. 6921-G8.8 JS500 M6X20
- 54 0/000.460.6220 (BOLSA 5 uds) TORNILLO AUT.T.C. ZINC. Q 3.9 X
- 55 0/000.460.7008 TANK FASTENING BOLT
- 58 0/000.390.7011 CALCA ADORNO DEPOSITO
- 59 0/000.970.6050 JUEGO LLAVES BUJIA 125
- 60 0/000.620.7100 HEADLIGHT SOCKET KIT FOR BLACK NAKED
- 60 0/000.620.7101 HEADLIGHT SOCKET KIT FOR BLUE NAKED
- 60 0/000.620.7106 HEADLIGHT SOCKET KIT FOR RED NAKED
- 60 0/000.620.7105 HEADLIGHT SOCKET KIT FOR SILVER NAKED
- 61 0/000.570.7274 QUILLA TERMOCONFORMADA
- 62 0/000.980.6107 SOPORTE QUILLA NKD 125



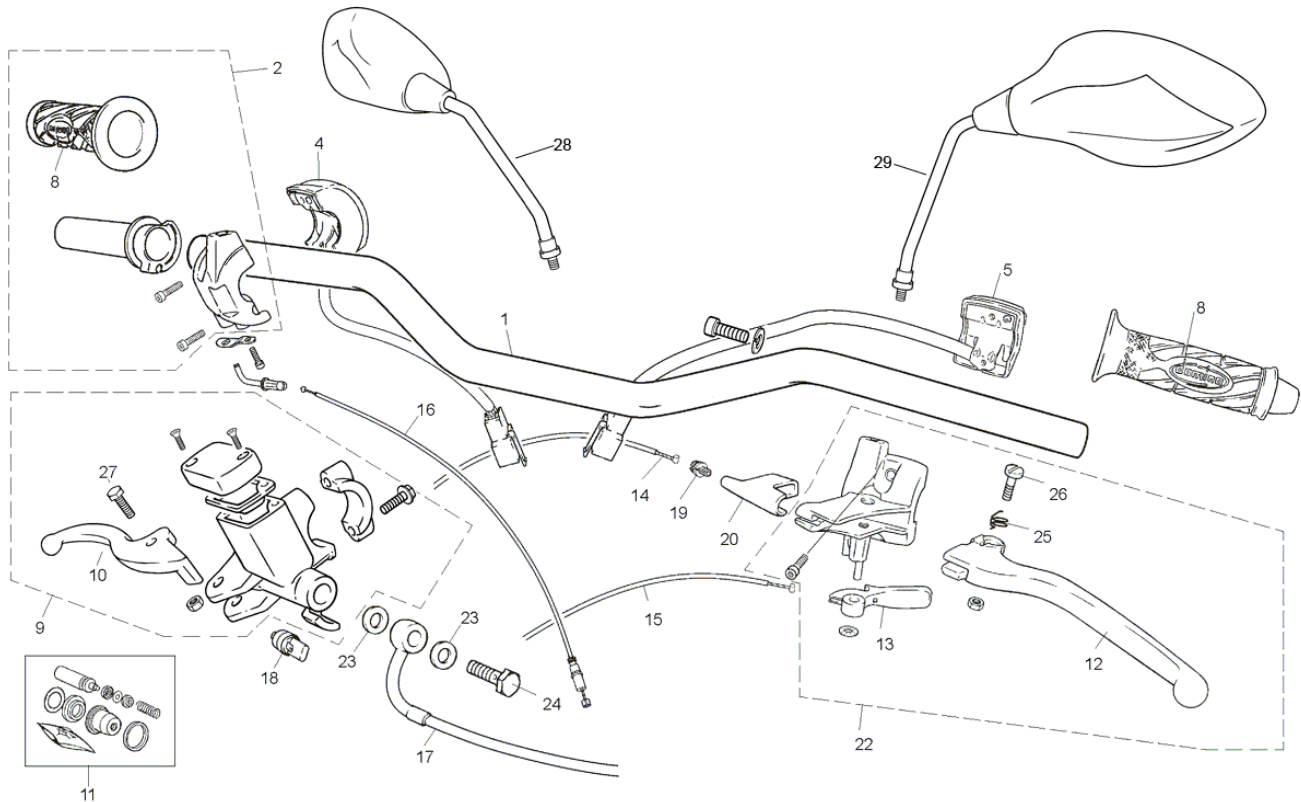
03 RS2NKD\k6y\DEPOSIT, ESCAPE TUBE AND RADIATOR

- 1 0/005.082.6200 ENGINE
- 2 0/000.030.7100 PETROL TANK
- 3 0/000.290.6020 COMPLETE EXHAUST PIPE
- 4 0/000.870.6010 EXHAUST PIPE SILENCER CASING
- 8 0/000.920.7000 KIT CONT. KEYS, LATCHES AND PETROL TANK CAP
- 9 0/000.410.7300 PETROL TANK CAP ONLY, WITH KEY
- 10 0/000.570.7019 PETROL TANK INTERMEDIATE CLAMP
- 11 0/000.920.7005 PETROL TANK CAP BASE
- 12 0/000.920.7003 PETROL TANK CAP RING ONLY
- 13 0/000.460.0600 (BOLSA 5 uds) TILLO 6921-08.8 JS500 M6x16
- 14 0/000.910.0194 FILTER CASE BODY
- 15 0/001.070.6100 AIR FILTER
- 16 0/000.350.6021 AIR FILTER COVER
- 22 0/000.680.6200 EXHAUST PIPE FASTENING CLAMP
- 29 0/000.940.6000 GEAR-STICK POMMEL
- 30 0/000.370.7000 PETROL LEVEL PROBE-TAP
- 31 0/000.460.7008 TANK FASTENING BOLT
- 32 0/000.340.5101 (BOLSA 5 uds) TUERCA RAPIDA M6 DACROMET 500GR
- 33 0/000.460.0401 BOLT, M10
- 34 0/000.460.1190 (BOLSA 5 uds) TILLO.ESPECIAL PLAST.ESP/7380 M6X
- 35 0/000.640.6200 PIPE
- 36 0/000.360.6020 CARBURETTOR / FILTER BOX UNION
- 37 0/000.490.7000 PETROL TANK CAP O-RING
- 40 0/000.460.0204 PETROL TANK CAP FASTENING BOLT
- 41 0/000.460.7009 PETROL TANK CAP FASTENING RING BOLT
- 43 0/000.290.0420 OIL / PETROL PIPE, 6 X 9
- 45 0/000.680.6201 CARBURETTOR NOZZLE FASTENING CLAMP
- 46 0/000.390.7020 COMPLETE SHIM SET BLACK
- 46 0/000.390.7020 COMPLETE SHIM SET RED
- 46 0/000.390.7020 COMPLETE BLUE SHIM SET
- 46 0/000.390.7020 COMPLETE SHIM SET RED
- 49 0/000.680.0534 LOCK, CLAMP
- 50 0/000.390.5310 ALUMINIUM RIEJU ENGINE DECAL
- 51 0/000.460.6220 TORNILLO DIN ISO 7380 M 8X16
- 52 0/000.340.6010 M8 FAST-ACTION NUT
- 53 0/005.430.6200 GEAR STICK
- 56 0/000.260.6010 DOLLA GRAFITO
- 57 0/000.980.6104 WASHER OF AIR FILTER ELEMENT



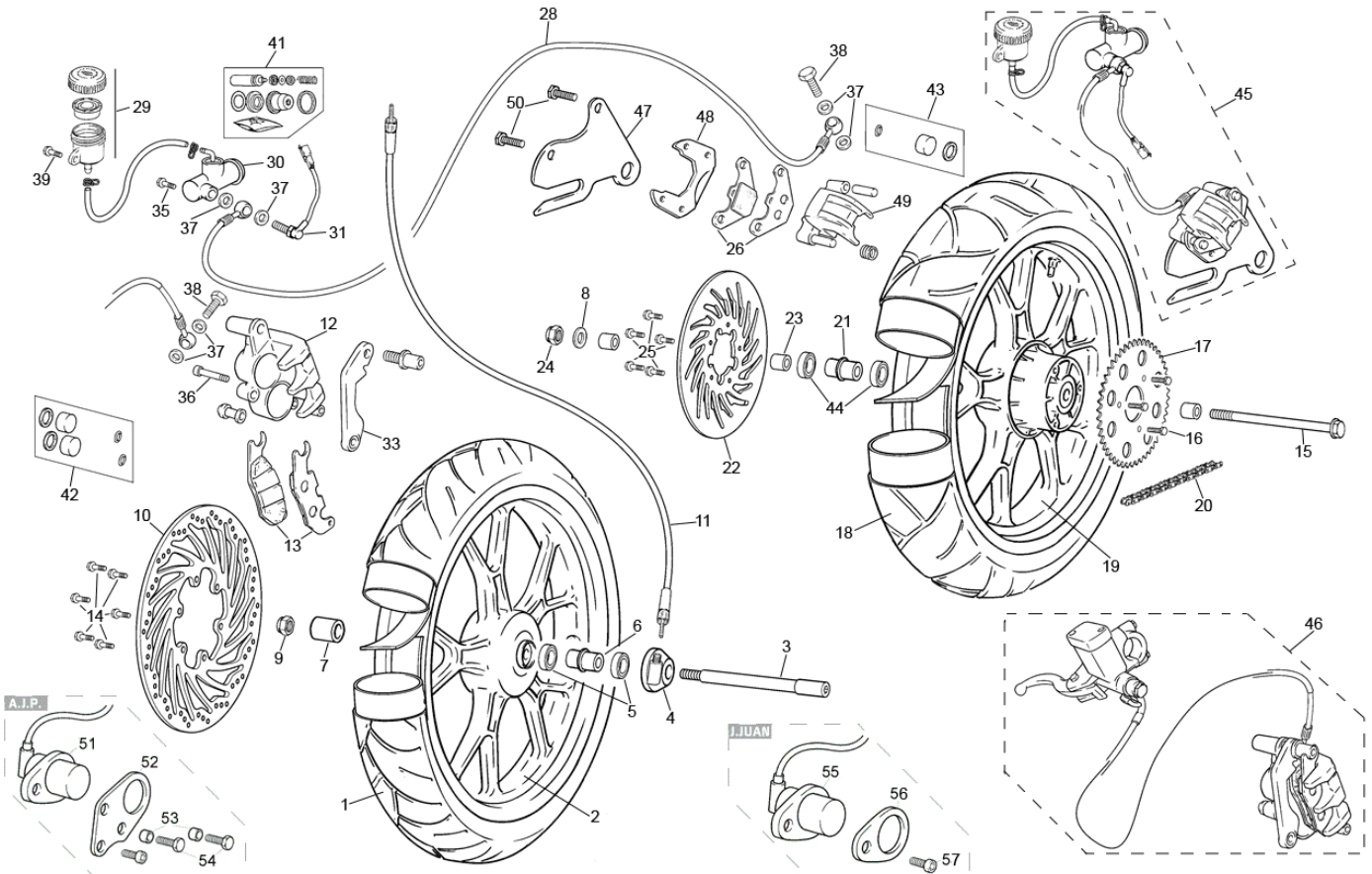
04 RS2NKD\k6y\SYSTEM ELECTRICS AND LIGHTS

- 1 0/000.160.6040 ELECTRICAL INSTALLATION EURO 3
- 1 0/000.160.6020 ELECTRICAL INSTALLATION
- 2 0/005.070.6004 C.D.I. UNIT
- 3 0/000.360.6003 GOMA CUBRE CDI
- 4 0/000.920.7101 IGNITION SWITCH KIT WITH KEY
- 5 0/000.900.6000 BATTERY 12V 5A.
- 6 0/000.140.6000 HEADLIGHT
- 7 0/000.420.5010 HORN
- 8 0/005.070.6002 IGNITION COIL
- 9 0/000.150.7002 REAR LAMP UNIT 8 LEDS (FRAM.GT 827297)
- 9 0/000.150.7001 COMPLETE REAR LAMP UNIT (FRAM.LT 827296)
- 10 0/000.150.2100 RIGHT INDICATOR LAMP
- 11 0/000.150.2200 LEFT INDICATOR LAMP
- 12 0/000.160.6010 CABLE ALIMENTACION MOTOR ARRANQUE
- 17 0/005.070.6003 REGULATOR COIL
- 17 0/005.070.6006 REGULATOR ENGINE 3D6/2005
- 19 0/001.200.5030 FLASHING CONTROL
- 20 0/001.200.6001 CONTACT RELAY (70Ah)
- 23 0/001.000.6000 INSTRUMENT PANEL ASSEMBLY
- 24 0/000.360.0841 INDICATOR BOX SUPPORT RUBBER AND RELAY
- 25 0/000.460.2003 ANTI-THEFT BOLT
- 27 0/000.350.7010 CASE COVER ODOMETER
- 30 0/000.460.0744 TORNILLO PILOTO TRASERO DIN 7982 Ø 4,2x50
- 31 0/000.610.7000 HEADLIGHT BRACKET WITH INSTALLATION
- 32 0/000.680.0060 INSTALLATION FASTENING CLAMP
- 34 0/000.850.7002 LAMP H4 12V 60/55W
- 35 0/000.850.0640 INDICATOR LAMP, 12V, 10W
- 37 0/000.850.7004 SIDELIGHT BULB, 12V, 5W
- 38 0/000.680.0070 ELIMINATED OF PRODUCTION. IT IS NOT POSSIBLE T
- 39 0/000.460.1190 (BOLSA 5 uds) TLLQ.ESPECIAL PLAST.ESP/7380 M6X
- 40 0/000.460.7020 SCREW
- 42 0/000.620.7002 BULB HOLDER
- 43 0/000.600.7010 HEADLIGHT
- 44 0/000.600.7011 HEADLIGHT RING
- 45 0/000.760.0020 PROTECTIVE PLASTIC BAG
- 46 0/000.360.0490 OPTICS SUPPORT FASTENING RUBBER
- 49 0/000.160.7102 INSTRUMENT PANEL ELECTRICAL INSTALLATION
- 54 0/000.980.7140 BRACKET PLASTIC ODOMETER ONLY
- 55 0/000.460.7024 SCREW RING
- 57 0/000.460.0600 (BOLSA 5 uds) TILLO 6921-GR,8 JES00 M6x16
- 58 0/000.980.6105 SOPORTE INSTRUMENTOS
- 59 0/000.340.5101 (BOLSA 5 uds) TUERCA RAPIDA M6 DACROMET 500GR
- 60 0/000.980.5004 INSTALLATION WIRING FASTENING SUPPORT
- 61 0/000.150.6000 PILOTO LUZ MATRICULA
- 62 0/000.980.6100 SOPORTE LUZ MATRICULA
- 63 0/000.460.7007 (BOLSA 5 uds) TORNILLO ISO 7380 INOX M 4 X 12
- 64 0/000.340.0171 (BOLSA 5 uds) TUERCA DIN 985.6 M4
- 65 0/000.330.0030 RIVET, 3,2 X 8



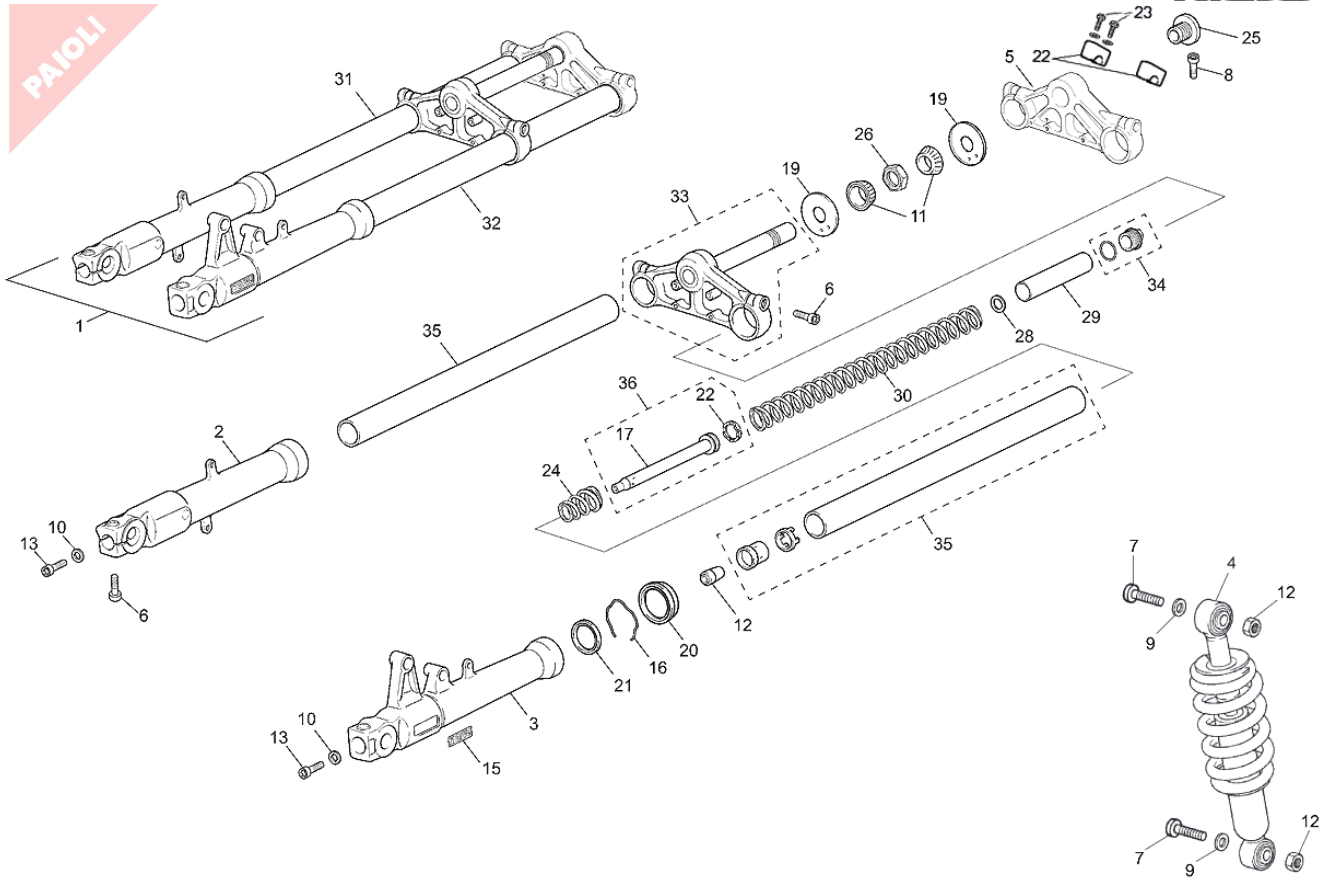
05 RS2NKD\k6y\MANILLARES AND CONTROLS

- 1 0/000.170.7100 HANDLEBAR NAKED
- 2 0/000.530.7000 COMPLETE GAS CUFF
- 4 0/000.720.6000 RIGHT SWITCH CONTROL
- 5 0/000.720.5000 LEFT SWITCH CONTROL
- 8 0/000.530.0420 SET THROTTLE
- 9 0/000.820.7007 FRONT PUMP WITH LEVER (J.JUAN)
- 9 0/000.820.7007 FRONT PUMP WITH LEVER A.J.P.
- 10 0/000.830.7100 FRONT BRAKE PUMP LEVER
- 11 0/000.640.7200 PUMP REPAIR KIT A.J.P.
- 11 0/000.640.7205 PUMP REPAIR KIT (J.JUAN)
- 12 0/000.830.0310 CLUTCH PEDAL
- 13 0/000.830.5110 SINGLE STARTER LEVER
- 14 0/000.550.6103 COMPLETE CLUTCH CABLE
- 15 0/000.550.6101 COMPLETE IGNITION CABLE
- 16 0/000.550.6000 COMPLETE GAS CABLE EURO 2
- 17 0/000.290.7104 FRONT DISC BRAKE HOSE (J.JUAN)
- 17 0/000.290.7102 FRONT DISC BRAKE HOSE A.J.P.
- 18 0/000.640.7208 FRONT BRAKE STOP SWITCH FOR J.JUAN PUMP
- 18 0/000.720.0070 FRONT BRAKE SWITCH
- 19 0/000.640.5700 CLUTCH CABLE TENSOR
- 20 0/000.360.0483 RUBBER PROTEC. CLUTCH CABLE AND TENSOR
- 22 0/000.830.7000 SET CLUTCH PEDAL WITH IGNITION
- 23 0/000.440.1040 (BOLSA 5 uds) BRANDELA JUNTA FRENO DISCO
- 24 0/000.460.1300 (BOLSA 5 uds) TLLLO,RACORD TUBO F.D.BREMO
- 25 0/000.470.0660 (BOLSA 5 uds) MUELLE RECUP.MANETA
- 26 0/000.460.1530 CLUTCH PEDAL FASTENING BOLT
- 27 0/000.460.0421 FRONT BRAKE LEVER FASTENING BOLT
- 28 0/000.990.7001 ESPEJO DERECHO
- 29 0/000.990.7101 ESPEJO IZQUIERDO



06 RS2NKD\k6y\WHEELS AND CONTROLS

- 1 0/000.510.7000 90/80-17" FRONT COVER
- 2 0/000.230.7012 COMPLETE FRONT TYRE BLACK
- 3 0/000.190.7100 FRONT WHEEL AXLE, M14
- 4 0/001.010.7000 RETURN ODOMETER
- 5 0/000.960.0050 WHEEL BEARING
- 6 0/000.480.7003 FRONT WHEEL BEARING SPACER
- 7 0/000.480.7002 LEFT WHEEL DISC BRAKE SIDE WASHER
- 8 0/000.440.0123 (BOLSA 5 uds) ARANDELA FLAMA DE 15
- 9 0/000.340.7010 NUT, M12
- 10 0/001.090.7003 FRONT DISC BRAKE
- 11 0/000.550.7005 MILEOMETER CABLE
- 12 0/000.860.7000 COMPLETE FRONT BRAKE CLIP A.J.P
- 12 0/000.860.7003 COMPLETE FRONT BRAKE CLIP J.JUAN
- 13 0/000.640.7210 FRONT BRAKE CLIP CLAMP J.JUAN
- 13 0/000.930.7000 FRONT BRAKE CLIP CLAMP A.J.P
- 14 0/000.460.0620 (BOLSA 5 uds) TLLLO 6921-GR.8 JS500 M6x25
- 15 0/000.190.7200 REAR WHEEL AXLE, M14
- 16 0/000.460.0671 FRICTION PLATE FASTENING BOLT
- 17 0/000.500.6020 FRICTION PLATE, Z 47
- 18 0/000.510.0560 110/80-17" REAR COVER
- 19 0/000.230.7112 COMPLETE REAR WHEEL RIM
- 20 0/001.050.6000 428 GSX CHAIN, 126 LINKS
- 21 0/000.480.7004 REAR WHEEL BEARING SPACER
- 22 0/001.090.7101 REAR DISC BRAKE
- 23 0/000.480.7001 REAR WHEEL DISC BRAKE SIDE WASHER
- 24 0/000.340.7020 (BOLSA 5 uds) TUERCA DIN/6926 M14 X 150 RS2 JS
- 25 0/000.460.0620 (BOLSA 5 uds) TLLLO 6921-GR.8 JS500 M6x25
- 26 0/000.930.7001 REAR BRAKE CLIP CLAMP A.J.P
- 26 0/000.640.7221 REAR BRAKE CLIP CLAMP J.JUAN
- 27 0/000.860.7002 COMPLETE REAR BRAKE CLIP
- 28 0/000.290.7101 REAR DISC BRAKE PIPE TO PUMP
- 29 0/000.030.0170 BRAKE FLUID TANK J.JUAN
- 30 0/000.820.7008 SOLA REAR BRAKE PUMP J.JUAN
- 30 0/000.820.0311 SOLA REAR BRAKE PUMP A.J.P
- 31 0/000.720.0073 REAR STOP SWITCH
- 32 0/000.640.7000 TUBELESS VALVE
- 33 0/000.640.7214 FRONT BRAKE CLIP FLOATING SUPPORT J.JUAN
- 33 0/000.980.7100 FRONT BRAKE CLIP FLOATING SUPPORT A.J.P
- 35 0/000.460.0300 (BOLSA 5 uds) TLLLO DIN 912 JS500 M6x16
- 36 0/000.460.0345 (BOLSA 5 uds) TORNILLO DIN.912 M6 X 25 JS-500
- 37 0/000.440.1040 (BOLSA 5 uds) ARANDELA JUNTA FRENO DISCO
- 38 0/000.460.1300 (BOLSA 5 uds) TLLLO.RACORD TUBO F.D.BREMO
- 39 0/000.460.6000 DISC BRAKE LIQUID TANK FASTENING BOLT
- 41 0/000.640.7201 REAR PUMP REPAIR KIT A.J.P
- 41 0/000.640.7216 REAR PUMP REPAIR KIT J.JUAN
- 42 0/000.640.0415 FRONT DISC BRAKE CLIP REPAIR KIT A.J.P
- 42 0/000.640.7213 FRONT DISC BRAKE CLIP REPAIR KIT J.JUAN
- 43 0/000.640.0420 REAR DISC BRAKE CLIP REPAIR KIT A.J.P
- 43 0/000.640.7223 REAR DISC BRAKE CLIP REPAIR KIT J.JUAN
- 44 0/000.960.7000 REAR BEARING 6302
- 45 0/000.820.7110 CONJUNTO FRENO TRASERO A.J.P.
- 45 0/000.820.7120 CONJUNTO FRENO TRASERO J. JUAN
- 46 0/000.820.7210 CONJUNTO FRENO DELANTERO J. JUAN
- 46 0/000.820.7220 CONJUNTO FRENO DELANTERO A.J.P
- 47 0/000.980.7101 KIT SOBRESOPORTE
- 48 0/000.640.7224 SOPORTE FLOTANTE PINZA
- 49 0/000.860.7004 PINZA FRENO TRASERA
- 51 0/001.010.7008 VELOCITY SENSOR
- 52 0/000.980.7043 SUPPORT VELOCITY SENSOR
- 53 0/000.480.5020 JAW SUPPORTS CLIPS
- 54 0/000.460.0200 SCREW
- 55 0/001.010.7008 VELOCITY SENSOR
- 56 0/000.980.7042 SUPPORT VELOCITY SENSOR
- 57 0/000.460.0280 SCREW



07 RS2NKD\k6y\SUSPENSION

- 1 0/000.130.6100 COMPLETE FORK
- 2 0/000.880.7011 LEFT / BOTTLE
- 3 0/000.880.7012 BOTTLE
- 4 0/000.180.7000 SHOCK ABSORBER
- 5 0/000.660.7304 UPPER FORK PLATE
- 6 0/000.460.0350 NUT
- 7 0/000.460.0402 (BOLSA 5 uds) TILLO DIN 912 JS500 M10x50
- 8 0/000.460.0351 NUT, M8 x 35
- 9 0/000.460.0350 WASHER
- 10 0/000.440.0180 O-RING
- 11 0/000.960.0200 STEERING BEARING
- 12 0/000.340.0182 (BOLSA 5 uds) TUERCA M10 AUTOBL/DIN6926/JS500
- 13 0/000.460.0345 (BOLSA 5 uds) TORNILLO DIN.912 M8 X 25 JS-500
- 15 0/000.390.0004 ADHESIVO PAIOLI
- 16 0/000.300.5001 FASTENING RING
- 19 0/000.200.7000 CUBREPOLVOS DIRECCION
- 20 0/000.890.5003 DUST GUARD
- 21 0/000.890.5002 OIL RETAINER
- 22 0/000.350.6003 CLAMP
- 23 0/000.460.0350 BOLT
- 24 0/000.470.7312 MUELLE FINAL TOPE
- 25 0/000.340.7101 UPPER FORK NUT
- 26 0/000.340.0550 NUT FORK INTERMEDIATES
- 28 0/000.440.5130 WASHER
- 29 0/000.290.7214 TUBO INTERIOR MUELLE PRINCIPAL
- 30 0/000.470.7311 FORK SPRING
- 31 0/000.640.7311 LEFT LEG COMPLETE
- 32 0/000.640.7312 RIGHT LEG COMPLETE
- 33 0/000.660.7303 LOWER PLATE WITH SHANK
- 34 0/000.410.8001 UPPER BAR PLUG
- 35 0/000.290.7211 COMPLETE FORK BAR
- 36 0/000.290.7213 CONJUNTO HIDRAULICO