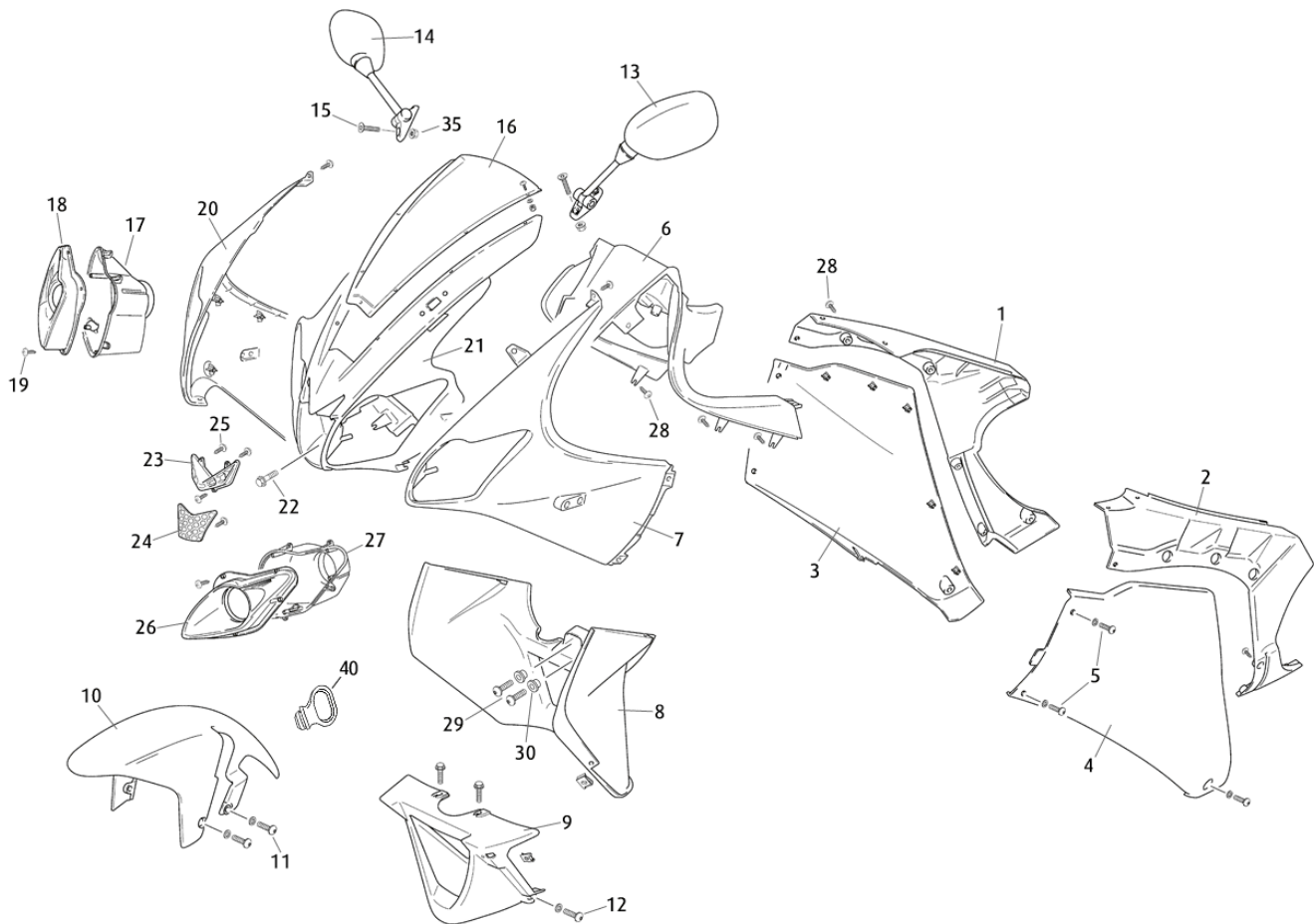


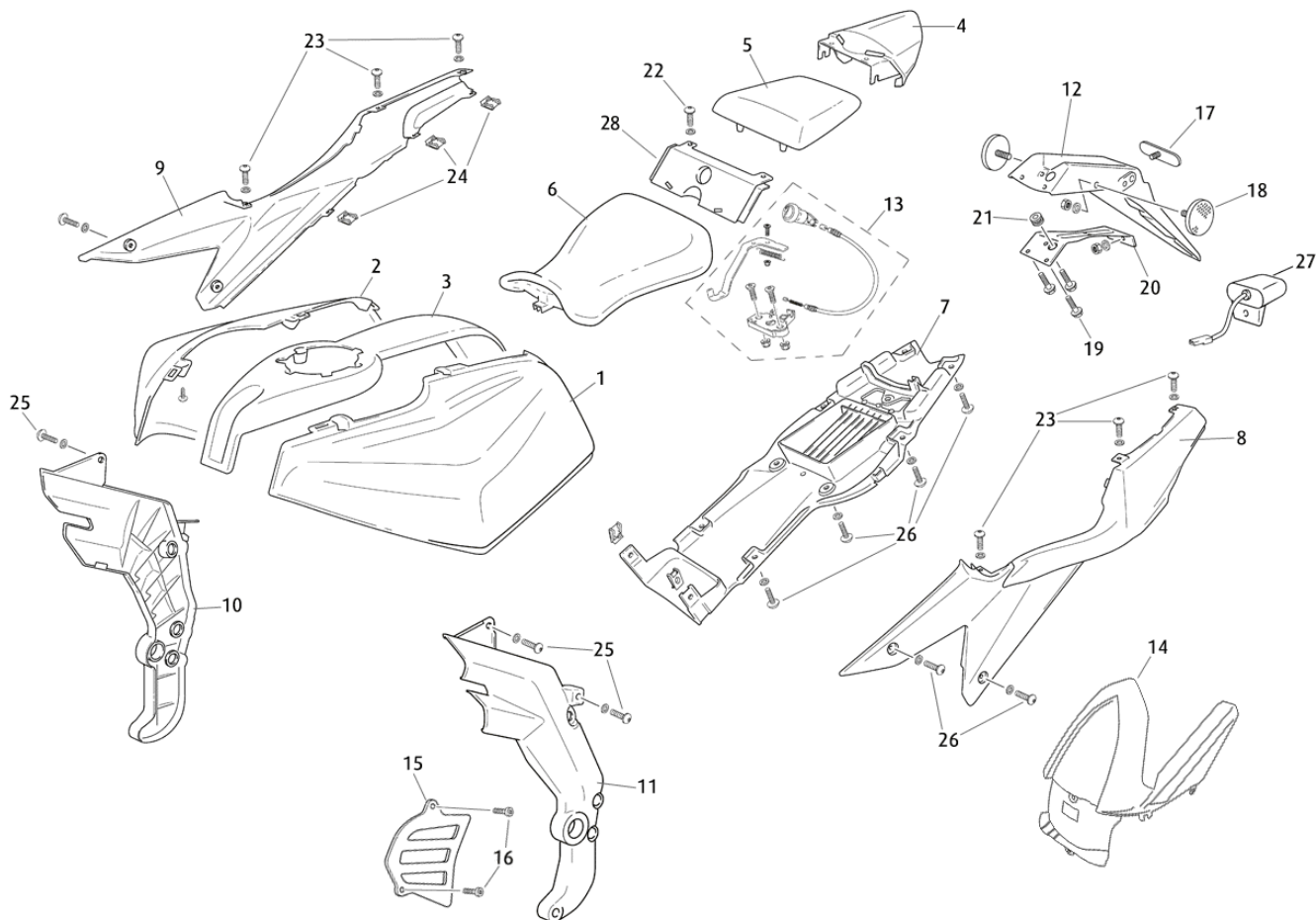
01 RS3\y11\CHASSIS

- 1 0/000.010.7006 CHASSIS DIVIDES ADVANTAGE RS3
- 2 0/000.010.7102 CHASSIS DIVIDES BACK RS3
- 3 0/000.980.7106 FLEETING RIGHT SUPPORT ESTRIBERA
- 4 0/000.980.7015 FLEETING LEFT SUPPORT ESTRIBERA
- 5 0/000.020.7004 TILTED COMPLETE RS3 125
- 6 0/000.010.7203 CHASSIS CRADLES RS3
- 7 0/000.210.7002 SMALL HORSE REST RS3
- 8 0/000.980.7013 SUPPORT LIGHT AND CTA KM RS3
- 9 0/000.660.7106 PLASTIC PLATINA INFERIOR FIXATION
- 10 0/000.340.5101 FAST NUT M6 DRACOMED
- 11 0/000.340.5101 FAST NUT M6 DRACOMED
- 12 0/000.460.0821 SCREW M6X20
- 13 0/000.360.0400 RUBBER SILEMBLOCK
- 14 0/000.470.7003 SOFT SMALL HORSE
- 15 0/000.980.7028 SOFT SUPPORT SMALL HORSE
- 16 0/000.940.7002 NUT SENDING BACK CHANGE
- 17 0/000.220.1000 PROTECTIVE CORK AXIS SELECTOR
- 18 0/000.460.0310 SCREW M6X20
- 19 0/000.840.0060 PIN 2X10
- 20 0/000.840.0090 PIN BRAKE HANDLE
- 21 0/000.730.7102 HANDLE CHANGE RS3
- 22 0/000.240.7003 ROD CHANGE RS3 125
- 23 0/000.460.0346 SCREW 6X30
- 24 0/000.840.0090 PIN ESTRIBERAS
- 25 0/000.220.7004 PROTECTIVE HANDLE CHANGE
- 26 0/000.980.7019 PILOT SUPPORT ESTRIBERA
- 27 0/000.460.1189 SPECIAL SCREW 6X9
- 28 0/000.260.5001 DOLLA HANDLE
- 29 0/000.360.5001 RUBBER SKATE CHAIN
- 30 0/000.460.0745 SCREW DIN 5,5X25
- 31 0/000.980.7001 TENSILE WHEEL
- 32 0/000.460.0636 TENSILE SCREW
- 33 0/000.340.0140 TENSILE NUT
- 34 0/000.740.7004 LEFT FLEETING ESTRIBERA
- 35 0/000.840.7002 PIN ESTRIBERAS
- 36 0/000.660.7001 PLATINA POSITIONER ESTRIBERA
- 37 0/000.460.0670 SCREW SUBCHASSIS SUBJECTION
- 38 0/000.740.7003 RIGHT FLEETING ESTRIBERA
- 39 0/000.340.5101 FAST NUT M6 DRACOMED
- 40 0/000.260.7003 TILTED LEFT SEPARATOR
- 41 0/000.460.0670 SCREW M8X25
- 42 0/000.340.0180 M8 NUT
- 43 0/000.730.7002 HANDLE BRAKE RS3
- 44 0/000.220.7003 PROTECTIVE BRAKE
- 45 0/000.980.7018 RIGHT ESTRIBERA SUPPORT
- 46 0/000.240.8000 VARILLA DE FRENO
- 47 0/000.980.7025 SUPPORT PUMP BRAKE
- 48 0/000.740.7000 RIGHT PILOT ESTRIBERA
- 49 0/000.470.7001 SOFT HANDLE BRAKE
- 50 0/000.260.5001 DOLLA PEDAL BRAKE
- 51 0/000.460.2002 SCREW M8X30
- 52 0/000.460.0345 SCREW M8X25
- 53 0/000.440.0161 WASHER 8,5X20
- 54 0/000.460.0323 M6 SCREW
- 55 0/000.440.0130 M6 WASHER
- 56 0/000.340.0170 M6 NUT
- 57 0/000.460.0550 SCREW M8X20
- 58 0/000.980.6116 MOTOR SUPPORT RS3
- 59 0/000.340.0180 M8 NUT
- 60 0/000.190.7001 TILTED AXIS
- 61 0/000.460.7011 SCREW SMALL HORSE RS3
- 62 0/000.460.0673 SCREW M8X40
- 63 0/000.480.0645 SOCKET ROD.CADENA
- 64 0/000.340.0186 M14 NUT
- 65 0/000.360.0792 RUBBER ROLLER CHAIN
- 66 0/000.440.123B M14 WASHER
- 67 0/000.260.7005 SEPARATOR
- 68 0/000.460.0352 SCREW M8X40
- 69 0/000.340.0181 M8 NUT
- 70 0/000.220.7002 BLACK GRID PICTURE
- 71 0/000.330.0051 IT RIVETS PLASTIC EMBELLECEDOR
- 72 0/000.470.7204 FLEETING WHARF ESTRIBERAS
- 73 0/000.470.7203 SOFT HANDLE CHANGE
- 74 0/000.740.7001 LEFT PILOT ESTRIBERA
- 75 0/000.980.7105 MOTOR BACK SUPPORT
- 76 0/000.980.7104 MOTOR TENSE SUPPORT
- 77 0/000.960.0511 RODAMIENTO AGUJAS
- 78 0/000.890.5004 RETEN RODAMIENTO
- 79 0/000.260.7004 DOLLA BASCULANTE INTERIOR
- 80 0/000.130.0150 HORQUILLA CAMBIO Y FRENO
- 81 0/000.340.0130 NUT M6
- 82 0/000.440.0161 WASHER
- 83 0/000.440.0180 WASHER GLOBER
- 84 0/000.840.7002 PIN ESTRIBERAS
- 85 0/000.130.0150 HORQUILLA CAMBIO Y FRENO
- 86 0/000.340.0130 TUERCA
- 90 0/000.470.7203 SOFT HANDLE CHANGE
- 91 0/000.470.7202 SOFT HANDLE BRAKE



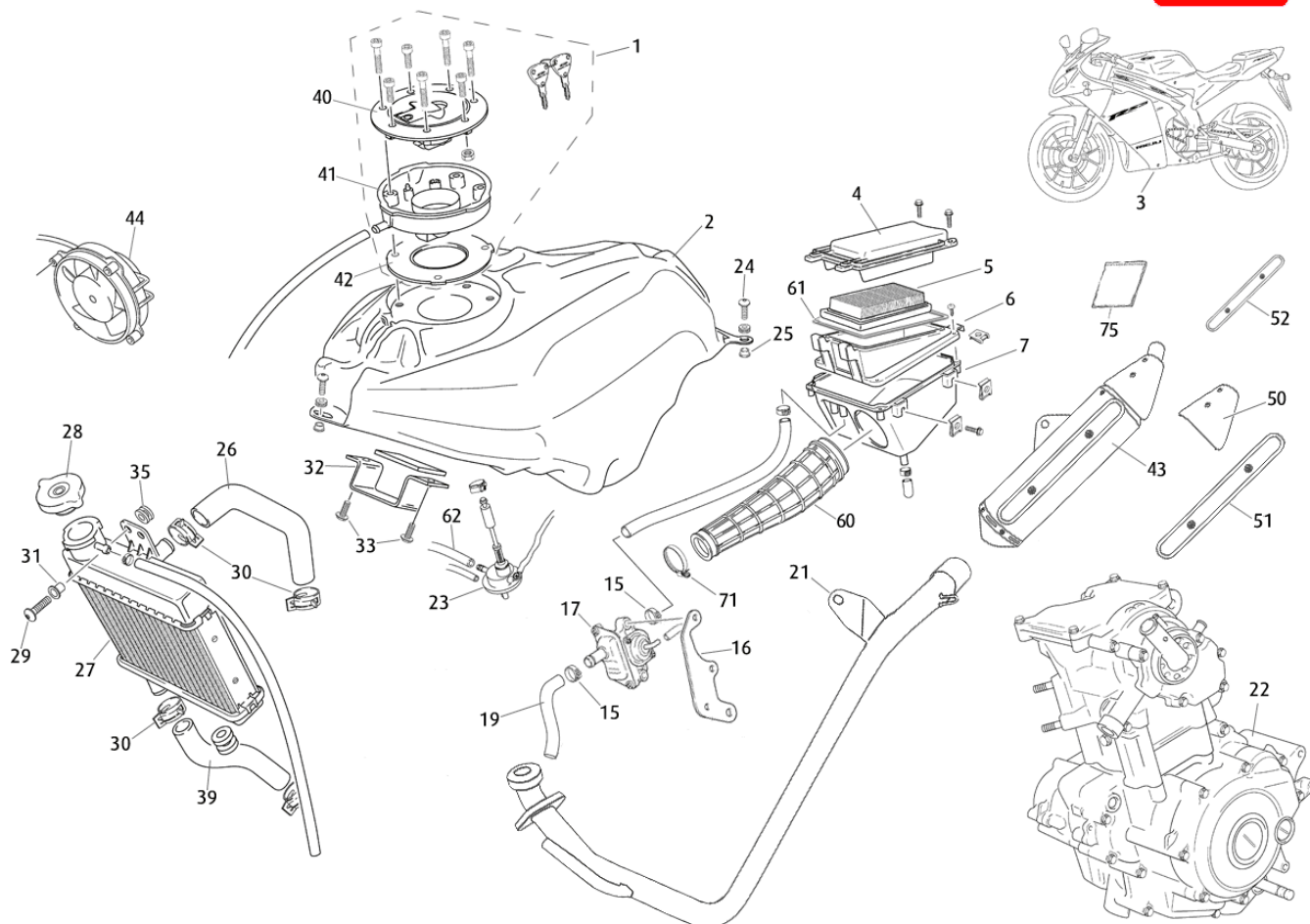
02 RS3\y11\PLASTICS

- 1 0/000.570.7039 RIGHT TOP FAIRING
- 2 0/000.570.7038 TOP FAIRING IZQUIRDO
- 3 0/000.570.7072 LATERAL FAIRING STRAIGHT WHITE INFERIOR
- 3 0/000.570.7080 LATERAL FAIRING STRAIGHT RED INFERIOR
- 4 0/000.570.7071 LATERAL FAIRING WHITE LEFT INFERIOR
- 4 0/000.570.7079 LATERAL FAIRING RED LEFT INFERIOR
- 5 0/000.460.1185 SCREW
- 6 0/000.570.7028 IT COVERS BLACK TABLIER
- 7 0/000.570.7066 FAIRING WHITE LEFT LIGHT
- 7 0/000.570.7075 FAIRING RED LEFT LIGHT
- 8 0/000.350.7004 IT COVERS RADIATOR
- 9 0/000.570.7042 KEEL BLACK INFERIOR
- 10 0/000.050.7015 FRONT MUDGUARD RS3
- 10 0/000.050.7016 FRONT MUDGUARD RS3 RED
- 11 0/000.460.1184 SCREW M6X16
- 12 0/000.460.1185 SCREW
- 13 0/000.990.7003 LEFT REAR VIEW MIRROR
- 14 0/000.990.7002 RIGHT REAR VIEW MIRROR
- 15 0/000.460.0823 SPECIAL SCREW M6X15
- 16 0/000.570.7023 CUPOLA IS TRANSPARENT RS3
- 17 0/000.620.7004 PORTAOPTICA RIGHT BOX
- 18 0/000.620.7003 RIGHT FRONTAL PORTAOPTICA
- 19 0/000.460.4010 SCREW 4, 2X13
- 20 0/000.570.7067 FAIRING STRAIGHT WHITE LIGHT
- 20 0/000.570.7076 FAIRING STRAIGHT RED LIGHT
- 21 0/000.570.7026 CENTRAL FAIRING CUPOLA RS3
- 22 0/000.460.1183 SPECIAL SCREW 6X17, 5
- 23 0/000.150.7003 PILOT FRONT LED
- 24 0/000.570.7027 FRONTAL GRID
- 25 0/000.460.7005 TORNILL 3, 9X17
- 26 0/000.620.7006 LEFT FRONTAL PORTAOPTICA
- 27 0/000.620.7007 OPTICAL PORTAOPTICA LEFT BOX
- 28 0/000.460.1182 SCREW
- 29 0/000.460.1185 SCREW
- 30 0/000.480.0710 SEPARATING RUBBER
- 35 0/000.340.0169 NUT M6
- 40 0/000.630.7005 GRAPA FIJACION CABLES



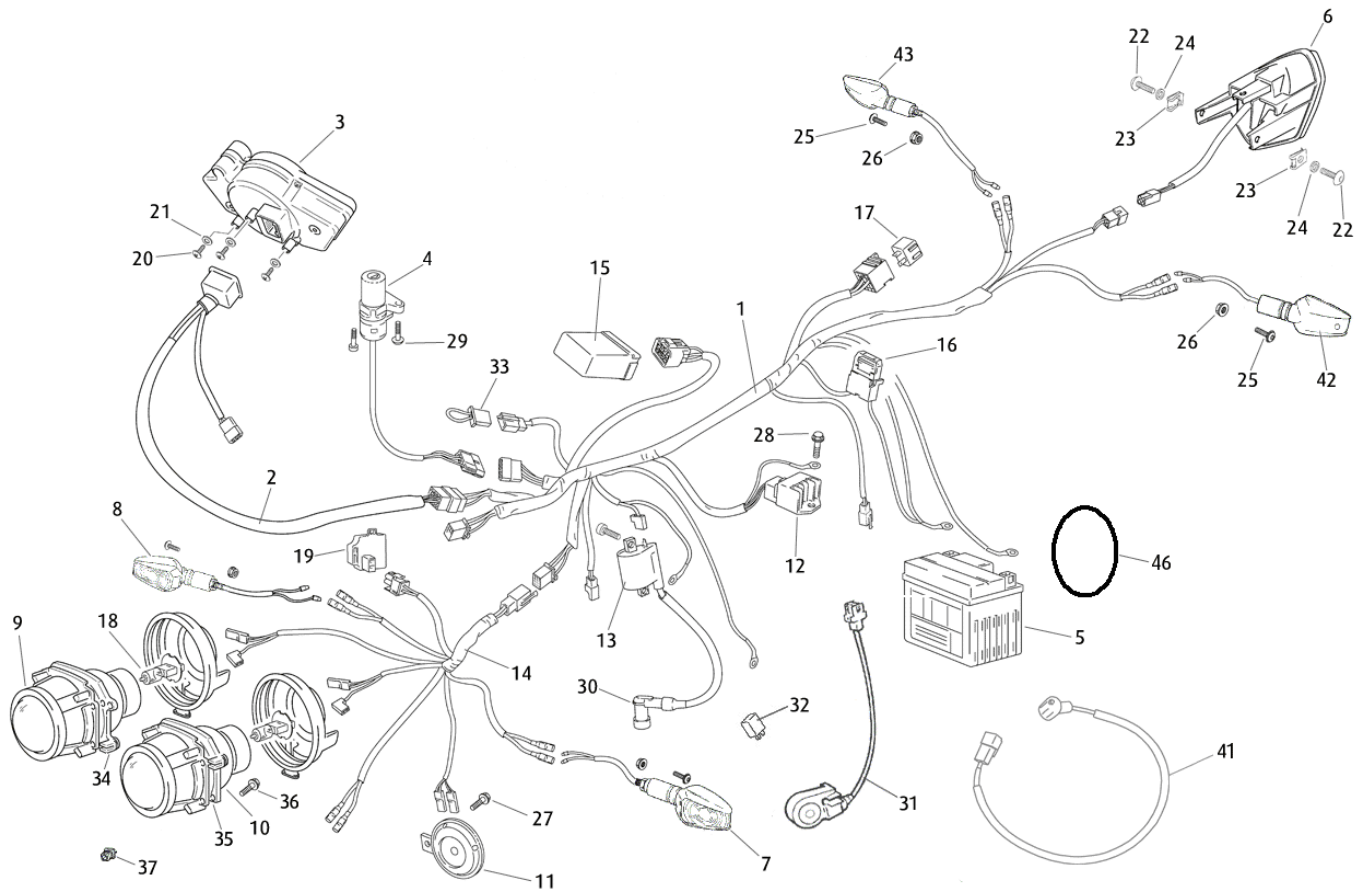
03 RS3\y11\PLASTICS

- 1 0/000.570.7077 RED LEFT CUBREDEPOSITO
- 1 0/000.570.7068 WHITE LEFT CUBREDEPOSITO
- 2 0/000.570.7069 IT COVERS I DEPOSIT STRAIGHT WHITE
- 2 0/000.570.7078 IT COVERS I DEPOSIT STRAIGHT RED
- 3 0/000.570.7031 IT COVERS I DEPOSIT BLACK POWER STATION
- 4 0/000.570.7045 COLIN COVERS
- 5 0/000.040.7101 FLEETING SADDLE RS3
- 6 0/000.040.7001 PILOT SADDLE RS3
- 7 0/000.570.7034 PLATE SUBCHASSIS INFERIOR
- 8 0/000.570.7073 LATERAL PLATE RED WHITE LEFT SUBCHASSIS
- 8 0/000.570.7081 LATERAL PLATE RED LEFT SUBCHASSIS
- 9 0/000.570.7074 LATERAL PLATE RED WHITE RIGHT SUBCHASSIS
- 9 0/000.570.7082 LATERAL PLATE RED RIGHT SUBCHASSIS
- 10 0/000.570.7051 IT COVERS GRAY RIGHT CARTELA
- 11 0/000.570.7050 IT COVERS GRAY LEFT CARTELA
- 12 0/000.060.7102 IT CARRIES BLACK MATRICULATION RS3
- 13 0/000.920.7007 KIT LOCKS WITH CORK
- 14 0/000.060.7103 MUDGUARD ROLLS BACK
- 15 0/000.220.7005 PROTECTIVE PINION EXIT RS3 125
- 16 0/000.460.0285 PROTECTIVE SCREW PINION
- 17 0/000.630.0551 BACK CATADRIÓPTICO
- 18 0/000.630.0530 YELLOW PLASTIC REFLEX C/TORNILLO
- 19 0/000.460.0600 SCREW M6X16
- 20 0/000.980.7016 SUPPORT MATRICULATION
- 21 0/000.360.0400 RADIATING RUBBER SILEMBLOCK
- 22 0/000.460.1185 SCREW
- 23 0/000.460.1182 SCREW
- 24 0/000.340.5101 FAST NUT M6 DRACOMED
- 25 0/000.460.1185 SCREW
- 26 0/000.460.1185 SCREW
- 27 0/000.150.6000 PILOT BACK LIGHT
- 28 0/000.570.7070 WHITE COVERS CLOSING 125 SADDLE RS3
- 28 0/000.570.7052 RED COVERS CLOSING 125 SADDLE RS3



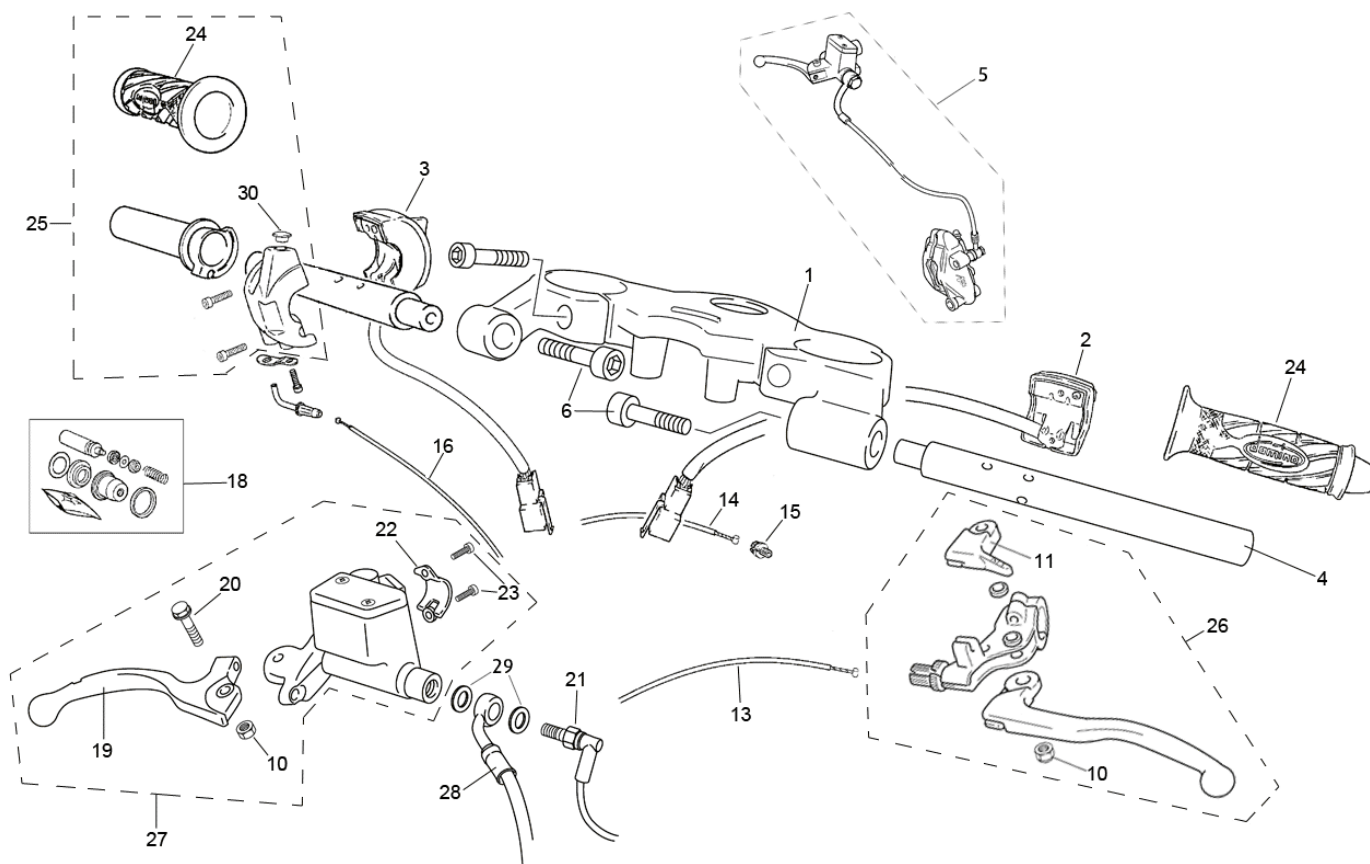
04 RS3\y11\DEPOSIT, ESCAPE TUBE AND RADIATOR

- 1 0/000.920.7007KIT TAPON+CERRADURAS
- 2 0/000.030.7101I DEPOSIT GASOLINE
- 3 0/000.390.7014GAME WHITE GRANARIES RS3 125
- 3 0/000.390.7015GAME RED GRANARIES RS3
- 4 0/000.350.7003IT COVERS BOX FILTER
- 5 0/001.070.7000FILTER ELEMENT
- 6 0/000.910.7001SEMI BOX FILTER SUPERIOR
- 7 0/000.910.7000SEMI BOX FILTER INFERIOR
- 13 0/000.290.0635CLIP
- 14 0/000.640.7008SLEEVE 1 VALVE AIS
- 15 0/000.680.8000CLIP RECEIVES
- 16 0/000.640.0002JOINT VALVE AIS
- 17 0/000.980.7032SUPPORT VALVE AIS
- 19 0/000.640.7007SLEEVE 2 VALVE AIS
- 21 0/000.290.7009TUBE SAVES COMPLETE RS3 125
- 22 0/005.082.6310ENGINE WR125R EURO 3
- 23 0/000.370.7000FRUCCET GASOLINE WITH SOUNDING
- 24 0/000.460.1185SCREW
- 25 0/000.480.0710SEPARATING SOCKET RUBBER
- 26 0/000.640.7009SLEEVES RADIATING
- 27 0/000.580.7101RADIATOR RS3 125
- 28 0/000.410.7002RADIATING CORK
- 29 0/000.460.1185SCREW
- 30 0/000.680.0535CLIP SLEEVES RADIATING
- 31 0/000.480.0710SEPARATING SOCKET RUBBER
- 32 0/000.980.7026SUPPORT C.D.I.
- 33 0/000.460.0600SCREW HAS SUPPORTED C.D.I.
- 35 0/000.360.0400RADIATING RUBBER SINEMBLOCK
- 36 0/000.460.0672SCREW
- 37 0/000.340.0180M8 NUT
- 39 0/000.640.7006LOWER SLEEVE RADIATING
- 40 0/000.410.7004TAPON GASOLINA C/LLAVE
- 42 0/000.360.7006JUNTA BROCAL TAPON DEPOSITO
- 43 0/000.870.7100QUIET RS3 125
- 44 0/005.060.7000ELECTRIC FAN RS3 125
- 50 0/000.220.7105PROTECTOR UNION SILENCIADOR/ESCAPE RS3 125
- 51 0/000.220.7106PROTECTOR PETACA ESCAPE RS3 125
- 52 0/000.390.7017STICKY SILENCER RS3 125
- 60 0/000.360.7005RUBBER UNION CARBURETOR BOX FILTER
- 61 0/000.980.7033SOPORTE FILTRO RS3
- 62 0/000.290.0642TUBO COPOLAN 5x10x265
- 71 0/000.680.7002CLAMP NORMA 35-50
- 75 0/K00.640.7000SILENT FIXING KIT



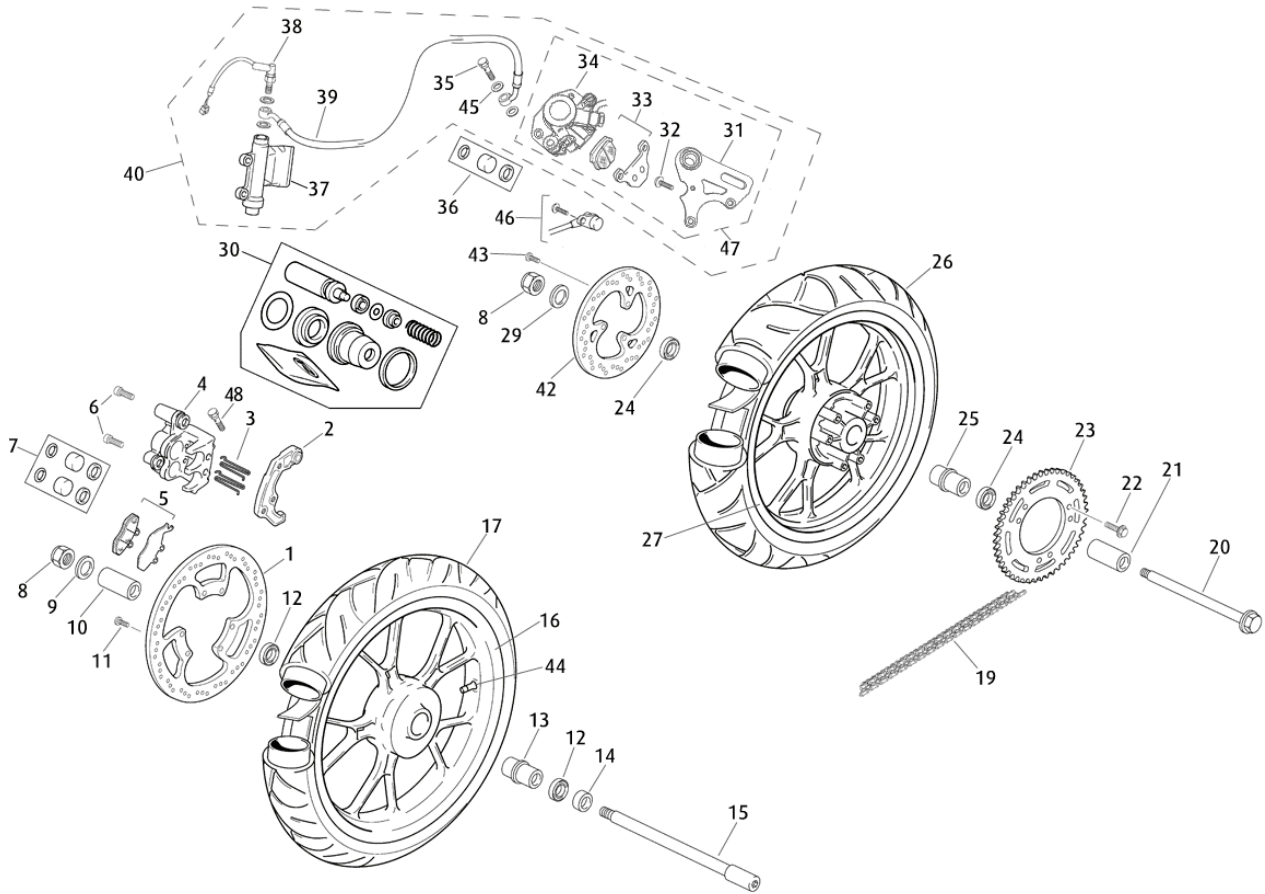
05 RS3\y11\SYSTEM ELECTRICS AND LIGHTS

1	0/000.160.7112	ELECTRICAL INSTALLATION RS3 / NKD 125
2	0/000.160.7010	INSTALLATION PICTURE CTA KM
3	0/001.000.7006	TABLIER KOSO
4	0/000.920.7007	KIT LOCKS WITH CORK
5	0/000.900.6000	BATTERY
6	0/000.150.6100	BACK PILOT LEDS RS3
7	0/000.150.7103	LEFT-HAND FRONT INDICATOR
8	0/000.150.7102	RIGHT-HAND FRONT INDICATOR
9	0/000.600.7001	OPTICAL LONG LIGHT
10	0/000.600.7002	OPTICAL SHORT LIGHT
11	0/000.420.5010	COMPLETE HORN
12	0/226.012.0008	REGULATOR
13	0/005.702.1500	OUTER COIL
14	0/000.160.7014	INSTALLATION CUPOLA
15	0/226.012.0003	SWITCHBOARD C.D.I.
16	0/000.910.0420	FUSE 10 Amp.
17	0/001.200.6001	RELAY STARTS (70 Amp)
18	0/000.850.7005	LIGHT BULB H4 LIGHT 12v 60/55W
19	0/001.200.5033	POWER STATION INTERMITENCIA 12V 6+6W
20	0/000.460.4010	SCREW
21	0/000.440.0230	WASHER
22	0/000.460.3031	SCREW
23	0/000.340.5101	FAST NUT M6 DRACOMED
24	0/000.440.5000	WASHER
25	0/000.460.1170	INTERMITTENT SCREW SUBJECTION
26	0/000.340.0172	NUTS INTERMITTENT SCREW SUBJECTION
27	0/000.460.0600	SCREW SUBJECTION HORN
28	0/000.460.0600	SCREW
29	0/000.460.2003	SCREW ANTI MANIPULATION
30	0/005.110.6002	MOTOR PIPETTE CANDLE 125
31	0/001.010.7001	SENSORIAL SMALL HORSE
32	0/001.200.0401	RELAY ELECTROVENTILADOR
33	0/005.070.6017	SENSOR DE AIRE
34	0/000.620.7005	PORTAOPTICA FIJACION FARO DERECHO
35	0/000.620.7008	PORTAOPTICA FIJACION FARO IZQUIERDO
36	0/000.460.0296	TORNILLO REGULACION OPTICA FARO
37	0/000.410.7007	POSITION LIGHT PLUG
41	0/000.160.6025	SUPLEMENTO INSTALACION MOTOR ARRANQUE
42	0/000.150.7103	LEFT-HAND REAR INDICATOR
43	0/000.150.7102	RIGHT-HAND REAR INDICATOR
46	0/000.490.7002	RUBBER BATTERY



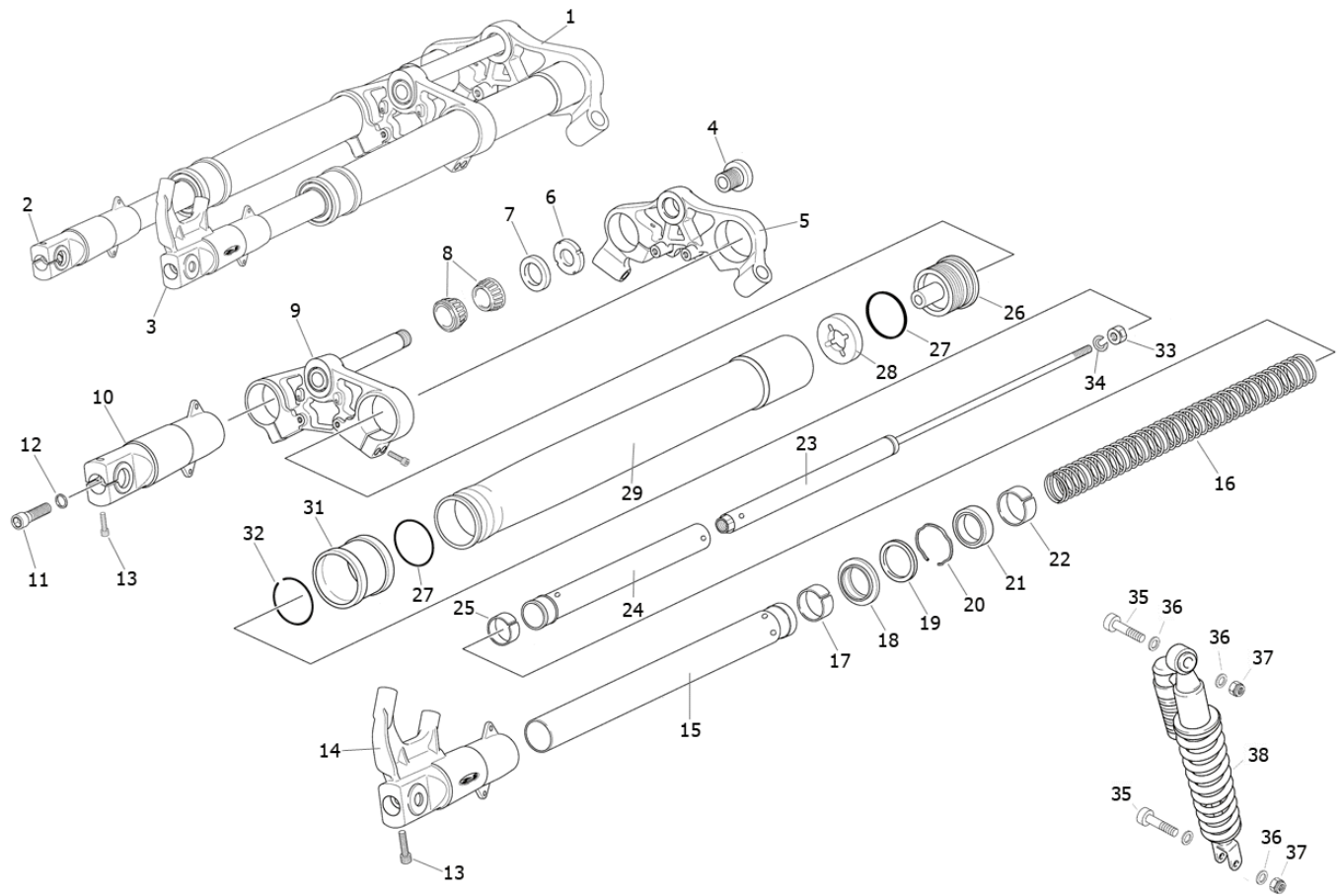
06 RS3\y11\MANILLARES AND CONTROLS

- 1 0/000.660.7104 PLATINA SUPERIOR (FRAM.GT D00C00307)
- 1 0/000.660.7306 PLATINA SUPERIOR (FRAM.LT D00C00306)
- 2 0/000.720.7000 LEFT INTERRUPTOR
- 3 0/000.720.6000 RIGHT INTERRUPTOR STARTING
- 4 0/000.170.7002 HANDLEBARS DERECHO/IZQUIERDO
- 5 0/000.820.7009 CJTO COMPLETE FRONT BRAKE (SHOWA FORK)
- 5 0/000.820.7010 CJTO COMPLETE FRONT BRAKE
- 6 0/000.460.0345 SCREW PLATINA SUBJECTION HANDLEBARS
- 11 0/000.830.8302 MANETA STARTER
- 13 0/000.550.7010 CABLE STARTER
- 14 0/000.550.7011 CABLE ENGAGES THE CLUTCH
- 15 0/000.640.5700 TENSILE CABLE ENGAGES THE CLUTCH
- 16 0/000.550.7012 GAS CABLE
- 18 0/000.640.7331 CJTO KIT REPAIR FRONT PUMP BRAKE
- 19 0/000.830.7102 SINGLE MANETA FRONT BRAKE
- 19 0/000.830.7101 SINGLE MANETA FRONT BRAKE (SHOWA FORK)
- 20 0/000.460.0421 SCREW SUBJECTION MANETA
- 21 0/000.720.7001 INTERRUPTOR STOP FRONT BRAKE (SHOWA FORK)
- 21 0/000.720.7001 INTERRUPTOR STOP FRONT BRAKE
- 24 0/000.530.0420 GAME GRIPS HANDLEBARS
- 25 0/000.530.7000 COMPLETE GAS FIST C/GOMA
- 26 0/000.830.7001 CJTO MANETA ENGAGES THE CLUTCH COMPLETES
- 27 0/000.820.7011 FRONT PUMP BRAKE C/MANETA
- 28 0/000.290.7107 TUBE CLICH3E FRONT BRAKE (SHOWA FORK)
- 28 0/000.290.7109 TUBE CLICH3E FRONT BRAKE
- 29 0/000.440.7002 TOGETHER WASHER FRONT BRAKE (SHOWA FORK)
- 29 0/000.440.7002 TOGETHER WASHER FRONT BRAKE
- 30 0/000.410.7006 CORK COMMUTATOR RS3 125



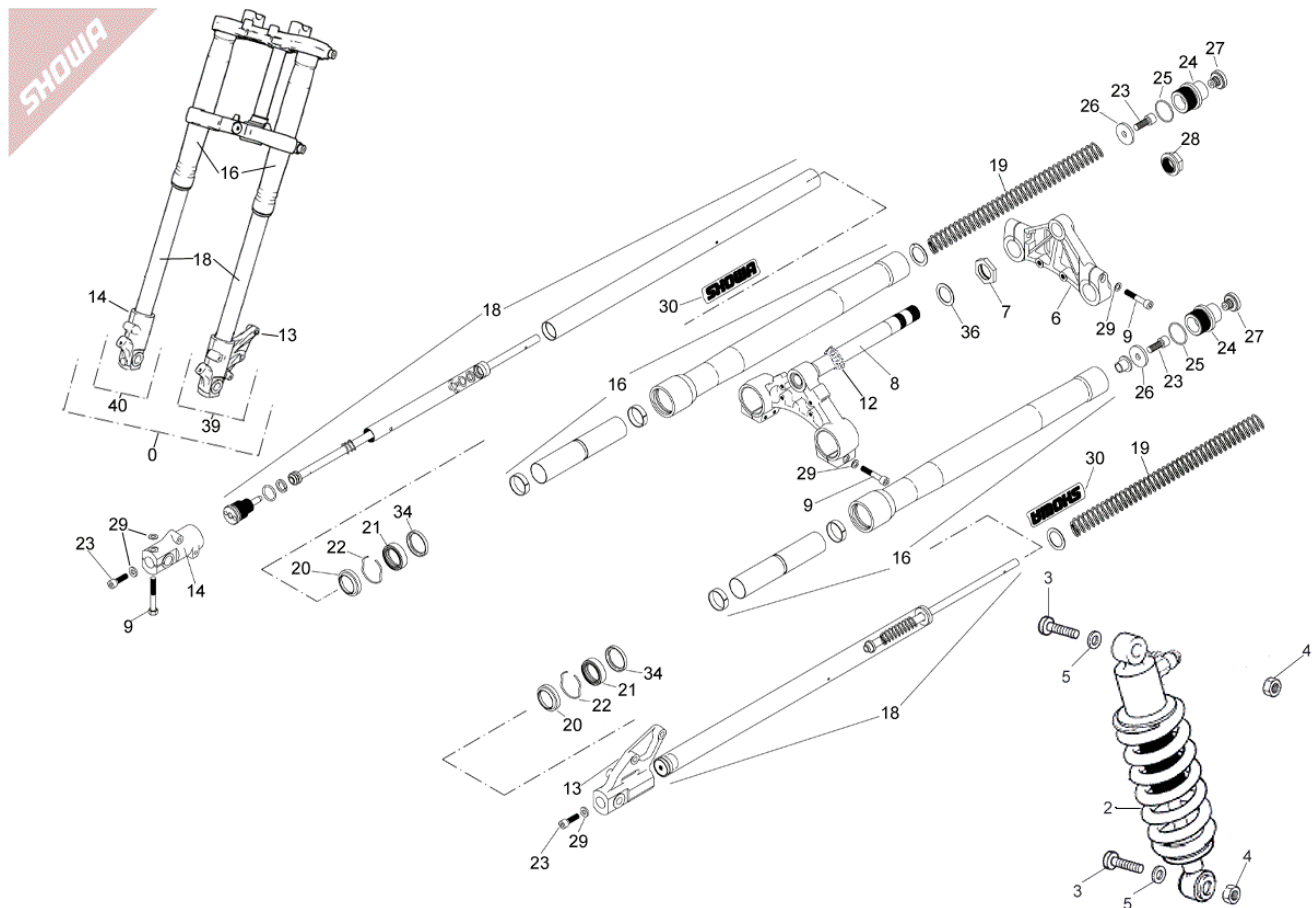
07 RS3\y11\WHEELS AND CONTROLS

- 1 0/001.090.7005 FRONT DISC Ø280
- 2 0/000.980.7055 SUPPORT FRONT CLAMP BRAKE (SHOWA FORK)
- 2 0/000.980.7100 SUPPORT FRONT CLAMP BRAKE
- 3 0/000.640.0110 CLIPS SUBJECTION TABLETS
- 4 0/000.860.7005 FRONT CLAMP BRAKE
- 4 0/000.860.7007 FRONT CLAMP BRAKE (SHOWA FORK)
- 5 0/000.930.7000 GAME TABLETS FRONT BRAKE (SHOWA FORK)
- 5 0/000.930.7003 GAME TABLETS FRONT BRAKE
- 6 0/000.460.0345 SCREW CLAMP BRAKE
- 7 0/000.640.0415 CJTO REPAIR FRONT CLAMP BRAKE
- 7 0/000.640.7330 CJTO REPAIR FRONT CLAMP BRAKE (SHOWA FORK)
- 8 0/000.340.0186 NUT AXIS ROLLS
- 9 0/000.480.5032 SEPARATING WHEEL Ø22x3,5 (FRAM.GT D00C00307)
- 9 0/000.480.7014 SEPARATING WHEEL (FRAM.LT D00C00306)
- 10 0/000.480.7011 SEPARATING WHEEL OF. STRAIGHT
- 11 0/000.460.5001 SCREW DISC OF. M6X16
- 12 0/000.960.0050 RODMINETOS ROLLS FRONT
- 13 0/000.480.5039 INNER SEPARATOR RIM OF.
- 15 0/000.190.7102 AXIS ROLLS FRONT (FRAM.LT D00C00306)
- 15 0/000.190.7100 AXIS ROLLS FRONT (FRAM.GT D00C00307)
- 16 0/000.230.7014 INTEGRAL RIM FRONT RS3 125 (FRAM.LT D00C00306)
- 16 0/000.230.7013 INTEGRAL RIM FRONT RS3 (FRAM.GT D00C00307)
- 17 0/000.510.0550 FRONT COVER 100/80-17
- 19 0/001.050.7100 CHAIN 428 RXP 128 STEPS
- 20 0/000.190.7203 AXIS ROLLS BACK
- 21 0/000.480.7011 SEPARATOR
- 22 0/000.460.5002 SCREW PLATE DRAGS M8x25
- 23 0/000.500.6000 PLATE DRAG RS3 125 Z/48
- 24 0/000.960.0055 BEARINGS ROLL 6303-2RSR
- 25 0/000.480.7018 SEPARATOR INTERNIO 22x2x138
- 26 0/000.510.0560 BACK COVER 130/70-17
- 27 0/000.230.7114 BACK INTEGRAL RIM RS3 125
- 29 0/000.440.7010 WASHER NUT ROLLS
- 30 0/000.640.7333 CJTO REPAIR PUMP BACK BRAKE
- 31 0/000.980.7056 SUPPORT CLAMP BACK BRAKE
- 32 0/000.460.6213 SCREW HAS SUPPORTED CLAMP
- 33 0/000.930.7004 GAME TABLETS BACK BRAKE
- 34 0/000.860.7006 BACK CLAMP BRAKE
- 35 0/000.330.7000 SCREW RACORD TUBE BRAKE
- 36 0/000.640.7332 CJTO REPAIR CLAMP BACK BRAKE
- 37 0/000.860.7014 PUMP BACK BRAKE
- 38 0/000.720.7003 BACK INTERRUPTOR STOP
- 39 0/000.290.7110 TUBE BACK BRAKE
- 40 0/000.820.7103 CJTO COMPLETE BACK BRAKE
- 42 0/001.090.7105 DISC BACK BRAKE
- 43 0/000.460.5002 SCREW BACK DISC M8x18
- 44 0/000.640.7000 CJTO VALVE TUBELESS
- 45 0/000.440.7002 TOGETHER WASHER BACK BRAKE
- 46 0/001.010.7010 SPEED SENSOR
- 47 0/000.860.7008 JOINT CLAMP COMPLETE BACK BRAKE
- 48 0/000.460.1300 SCREW RACORD



08 RS3\y11\SUSPENSION

- 1 0/000.130.7001 COMPLETE FRONT BRACKET
- 2 0/000.640.7313 JOINT AVERAGE SUSPENSION LEFT
- 3 0/000.640.7314 JOINT AVERAGE SUSPENSION RITCH
- 4 0/000.340.7102 NUT SUPERIOR BRACKET
- 5 0/000.660.7306 UPPER STEERING STEM
- 6 0/000.340.7103 AJUST NUT
- 7 0/000.260.7005 SPACER $\phi 40 \times 7,5 \times 6$
- 8 0/000.960.0200 BEARINGS DIRECTION
- 9 0/000.660.7307 LOWER STEERING STEM
- 10 0/000.880.7023 ALUMINIUM JONT (LEFT)
- 11 0/000.460.7105 BOLT M14X35
- 12 0/000.440.0191 PLAIN BUSHER
- 13 0/000.460.7106 BOLT MBX40
- 14 0/000.880.7024 ALUMINIUM JOINT (RIGHT)
- 15 0/000.290.7212 FORK PIPE
- 16 0/000.470.7313 SPRING
- 17 0/000.480.7101 OUTSIDE GUIDE SLEEVE
- 18 0/000.890.7002 DUST COVER
- 19 0/000.300.7004 OIL SEAL STOP
- 20 0/000.300.7003 RING STOP
- 21 0/000.890.7001 OIL SEAL
- 22 0/000.480.7102 COLLAR BUSHING
- 23 0/000.640.0701 DAMPER
- 24 0/000.290.7215 TUBE
- 25 0/000.290.7216 QUT SIDE GUIDE SLEEVE
- 26 0/000.410.7103 CAP
- 28 0/000.440.7021 RECOIL BUMPER
- 29 0/000.880.7103 ALUMINIUM COVEER
- 31 0/000.300.7005 OIL SEAL COVER
- 32 0/000.490.7202 RING STOP
- 33 0/000.340.7201 JAM NUT
- 34 0/000.300.7006 OPEN WASHER
- 35 0/000.460.0402 SCREW
- 36 0/000.440.0110 WASHER
- 37 0/000.340.0182 NUT
- 38 0/000.180.7011 SHOCK ABSORBER



09 RS3\y11\SUSPENSION

- 0 0/000.130.7040 COMPLETE FORK
- 2 0/000.180.7011 SHOCK ABSORBER
- 3 0/000.460.6210 TLOO DIN 912 M10x70
- 4 0/000.340.0182 (BOLSA 5 uds) TUERCA M10 AUTOBL/DIN6926/JS500
- 5 0/000.460.0350 NUT
- 6 0/000.660.7104 UPPER FORK PLATE
- 7 0/000.340.0550 UPPER FORK NUT
- 8 0/000.660.7301 LOWER PLATE WITH SHANK
- 9 0/000.460.0350 NUT, M8 X 35
- 12 0/000.960.0200 STEERING BEARING
- 13 0/000.880.7022 RIGHT FORK TIP
- 14 0/000.880.7022 LEFT FORK TIP
- 16 0/000.880.7010 LEFT / RIGHT BOTTLE
- 17 0/000.480.7100 SPRING SPACER
- 18 0/000.290.7210 COMPLETE FORK BAR
- 19 0/000.470.7310 FORK SPRING
- 20 0/000.890.6001 DUST GUARD
- 21 0/000.890.5000 OIL RETAINER
- 22 0/000.300.5000 FASTENING RING
- 23 0/000.460.0345 (BOLSA 5 uds) TORNILLO DIN.912 M8 X 25 JS-500
- 24 0/000.410.5201 UPPER BAR PLUG
- 25 0/000.490.5000 O-RING
- 26 0/000.440.5100 WASHER
- 27 0/000.410.5200 UPPER BAR PLUG
- 28 0/000.340.7101 LOWER PLUG
- 29 0/000.440.0180 O-RING
- 30 0/000.390.0005 ADHESIVO SHOWA
- 34 0/000.980.5200 STOP SPACER RING
- 36 0/000.440.0050 (BOLSA 5 uds) ARAND.TUERCA TIJA Q35 X 25 X 1
- 39 0/000.640.7310 RIGHT LEG COMPLETE
- 40 0/000.640.7320 LEFT LEG COMPLETE