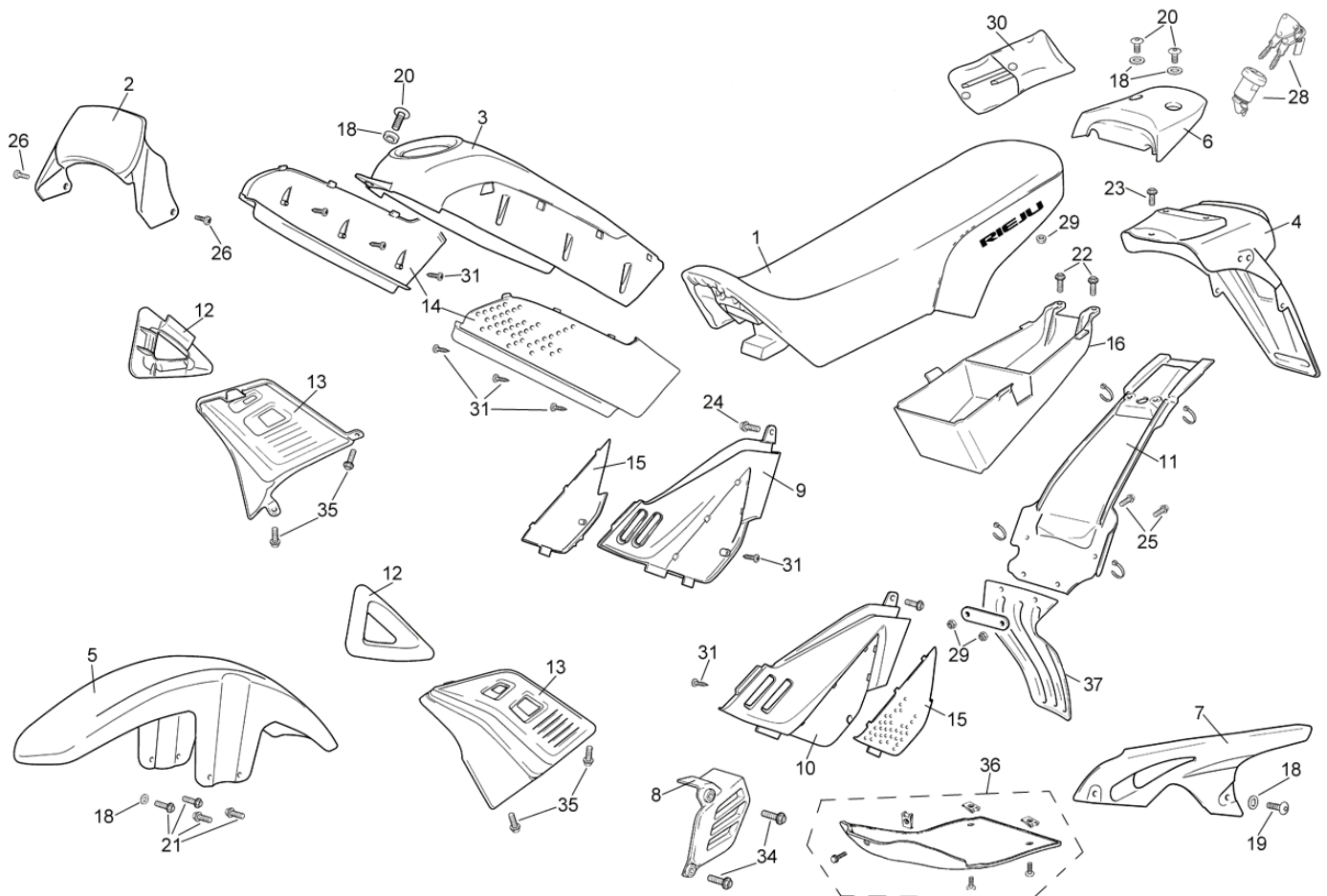


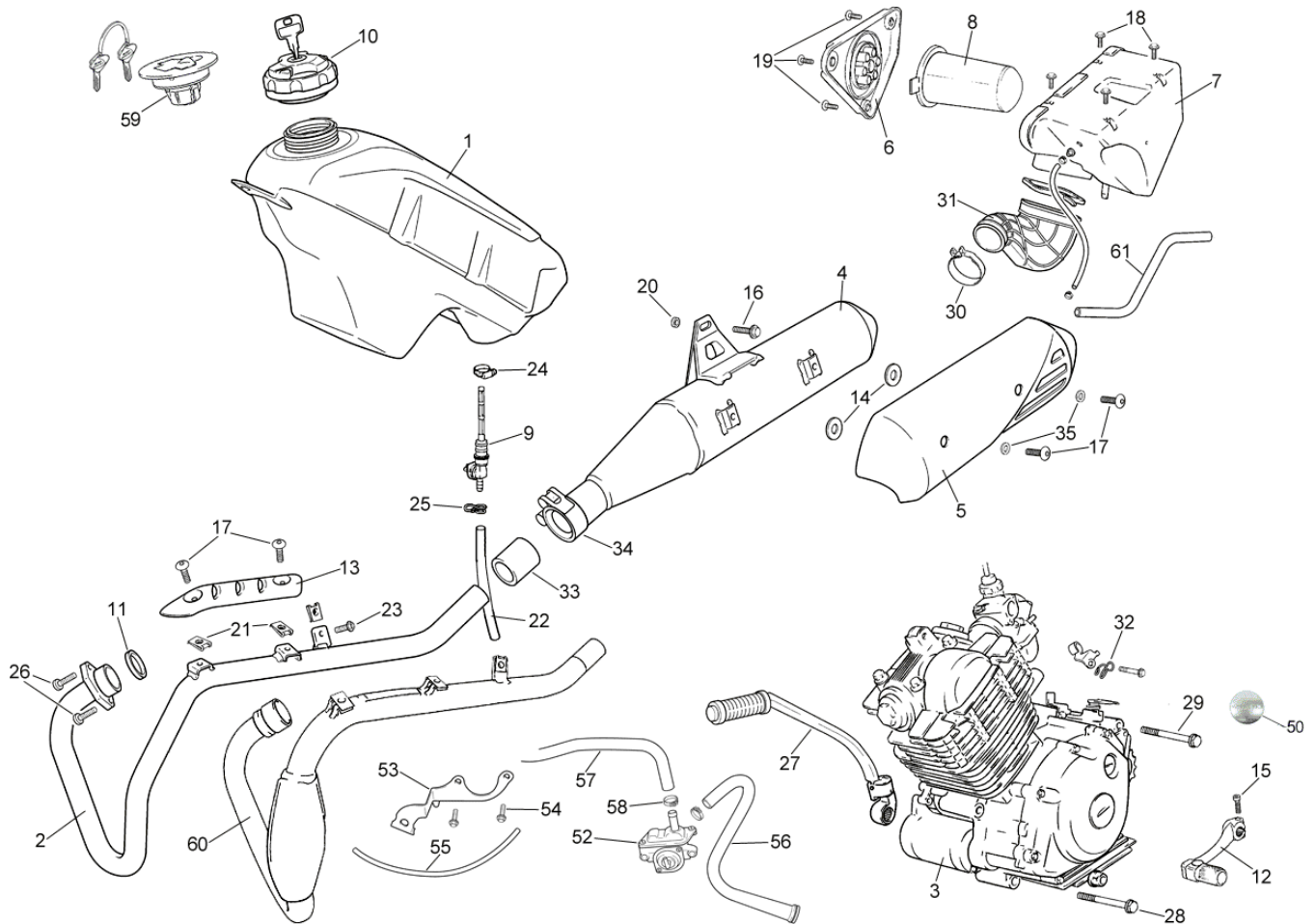
01 TANGO \k6y\CHASSIS

- 1 0/000.010.8100 FRONT CHASSIS TANGO (FRAM.GT 701877)
- 1 0/000.010.8000 FRONT CHASSIS TANGO (FRAM.LT 701876)
- 2 0/000.010.8001 REAR CHASSIS TANGO (FRAM.LT 803022)
- 2 0/000.010.8102 GRAY REAR CHASSIS TANGO (FRAM.GT 803023)
- 3 0/000.020.5200 COMPLETE SWING ARM
- 4 0/000.210.8001 SIDE STAND TANGO
- 5 0/000.730.8000 BRAKE LEVER TANGO
- 6 0/000.980.8008 RIGHT ENGINE FRONT SUPPORT
- 7 0/000.980.8009 LEFT ENGINE FRONT SUPPORT
- 8 0/000.980.8000 REAR ENGINE SUPPORT
- 9 0/000.980.8015 PASSENGER REAR SUPPORT TANGO
- 10 0/000.980.8006 CASE SECURING SUPPORT
- 11 0/000.980.8007 LOWER CASE SECURING SUPPORT
- 12 0/000.740.0301 RIDER RIGHT FOOTREST (FRAM.GT 701877)
- 12 0/000.740.0300 RIDER RIGHT FOOTREST (FRAM.LT 701876)
- 13 0/000.740.0310 RIDER LEFT FOOTREST (FRAM.LT 701876)
- 13 0/000.740.0311 RIDER LEFT FOOTREST (FRAM.GT 701877)
- 14 0/000.190.8001 SWING ARM AXLE TANGO
- 15 0/000.360.5006 FOOTREST RUBBER PROTECTION
- 16 0/000.380.5100 WHEEL TENSIONER
- 17 0/000.390.8001 DECAL TANGO
- 17 0/000.390.8000 DECAL TANGO
- 18 0/000.470.8000 SIDE STAND SPRING TANGO
- 19 0/000.470.8001 BRAKE LEVER SPRING TANGO
- 20 0/000.740.0330 PASSENGER FOOTREST (IRON)
- 21 0/000.980.5102 RETURN CAM SIDE STAND SPRING
- 22 0/000.260.8000 BRAKE LEVER BUSH
- 23 0/000.340.0170 SELF-LOCKING NUT DIN 985 M6
- 24 0/000.340.0180 SELF-LOCKING NUT WASHER M8
- 25 0/000.340.0182 NUT DIN 985 M10
- 26 0/000.340.5000 NUT DIN 980 M14
- 27 0/000.340.8000 NUT DIN 934 M8 S.S.
- 28 0/000.360.0792 RUBBER ROLLER CHAIN GUIDE
- 29 0/000.360.5001 RUBBER SHOE CHAIN
- 30 0/000.440.0123 WASHER DIN 125A M15
- 31 0/000.440.0160 WASHER DIN 125A M8
- 32 0/000.460.0480 SCREW M8X50 DIN 6921
- 33 0/000.460.0481 SCREW DIN 933 M8X50 S.S.
- 34 0/000.460.0491 SCREW DIN 933 M8X60
- 35 0/000.460.0510 SCREW DIN 6921 M8X75
- 36 0/000.460.0622 SCREW DIN 6921 M6X35
- 37 0/000.460.0623 SCREW DIN 933 M6X45
- 38 0/000.460.0670 SCREW DIN 933 M8X25
- 39 0/000.460.0672 SCREW DIN 6921 M8X35
- 40 0/000.460.1191 SCREW ISO 7380 SPE.M6.45
- 41 0/000.460.0745 SECURING SCREW SHOE CHAIN DIN 7982 S,5X19
- 42 0/000.460.5100 SCREW DIN-ULS 7380 M10X50
- 43 0/000.460.8000 SIDE STAND SCREW
- 44 0/000.470.5001 RIGHT FOOTREST SPRING (FRAM.LT 701876)
- 44 0/000.470.0200 RIGHT FOOTREST SPRING (FRAM.GT 701877)
- 45 0/000.470.5002 LEFT FOOTREST SPRING (FRAM.LT 701876)
- 45 0/000.470.0201 LEFT FOOTREST SPRING (FRAM.GT 701877)
- 46 0/000.480.0645 SEPARATOR 14X2,75X24,5
- 47 0/000.340.0170 SELF-LOCKING NUT DIN 985 M6
- 48 0/000.710.0300 CHAIN GUIDE
- 49 0/000.340.5101 QUICK NUT DIN 934 M6
- 50 0/000.460.1700 SCREW DIN 6921 6X16 8,8
- 51 0/000.340.0130 NUT DIN 934 M6
- 52 0/000.980.8002 HEADLIGHT SUPPORT (FRAM.LT 702309)
- 52 0/000.980.8016 HEADLIGHT SUPPORT (FRAM.GT 702310)
- 53 0/000.360.8001 SINEMBLOK
- 54 0/000.460.1170 SCREW M5X16
- 55 0/000.980.8004 COIL RACK
- 56 0/000.460.1703 SCREW DIN 7985
- 57 0/000.360.0370 SWING ARM SINEMBLOK
- 58 0/000.440.5000 NYLON WASHER
- 59 0/000.480.0215 RIDER FOOTREST SEPARATOR (FRAM.GT 701877)
- 59 0/000.480.0210 RIDER FOOTREST SEPARATOR (FRAM.LT 701876)
- 61 0/K00.980.8013 PARRILLA PORTABULTOS
- 62 0/000.480.8002 CASQUILLO PARRILLA TANGO
- 63 0/000.460.1192 TLLLO. ESP ISO 7380 M6x50
- 64 0/000.980.8004 COIL RACK (FRAM.GT 601601)
- 65 0/000.390.8010 CALCA BASCULANTE



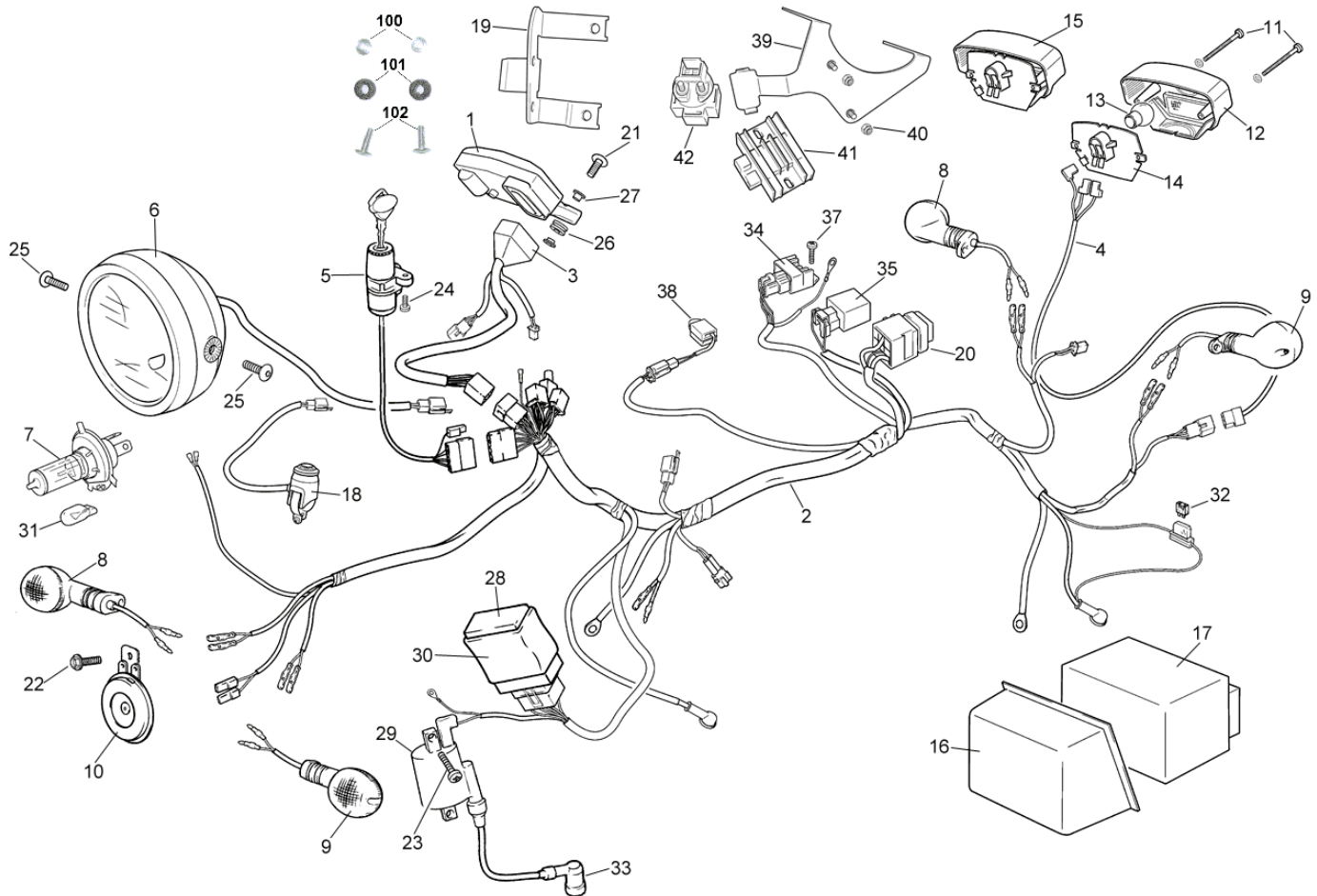
02 TANGO\k6y\PLASTICS

- 1 0/000.040.8013 COMPLETE SEAT TANGO (FRAM.GT 701877)
- 1 0/000.040.8000 COMPLETE SEAT TANGO (FRAM.LT 701876)
- 2 0/000.570.8010 HEADLIGHT EMBELLISHMENT COVER
- 3 0/000.570.8031 YELLOW TANK COVER (FRAM.GT 701877)
- 3 0/000.570.8025 ORANGE TANK COVER (FRAM.LT 701876)
- 3 0/000.570.8029 ORANGE TANK COVER (FRAM.GT 701877)
- 3 0/000.570.8030 RED TANK COVER (FRAM.GT 701877)
- 3 0/000.570.8011 BLACK TANK COVER (FRAM.LT 701876)
- 3 0/000.570.8032 BLACK TANK COVER (FRAM.GT 701877)
- 3 0/000.570.8012 YELLOW TANK COVER (FRAM.LT 701876)
- 3 0/000.570.8020 RED TANK COVER (FRAM.LT 701876)
- 4 0/000.060.1020 REAR MUDGUARD TANGO
- 5 0/000.050.8001 FRONT MUDGUARD TANGO
- 6 0/000.570.8023 RED SEAT BASE REAR COVER
- 6 0/000.570.8018 YELLOW SEAT BASE REAR COVER
- 6 0/000.570.8017 BLACK SEAT BASE REAR COVER
- 6 0/000.570.8024 ORANGE SEAT BASE REAR COVER
- 7 0/000.200.0301 CHAIN COVER
- 8 0/000.220.6000 PINION PROTECTION OUTPUT ENGINE
- 9 0/000.570.8013 BLACK UPPER RIGHT SIDE COVER
- 9 0/000.570.8026 ORANGE UPPER RIGHT SIDE COVER
- 9 0/000.570.8015 YELLOW UPPER RIGHT SIDE COVER
- 9 0/000.570.8021 RED UPPER RIGHT SIDE COVER
- 10 0/000.570.8014 BLACK UPPER LEFT SIDE COVER
- 10 0/000.570.8016 YELLOW UPPER LEFT SIDE COVER
- 10 0/000.570.8022 RED UPPER LEFT SIDE COVER
- 10 0/000.570.8027 ORANGE UPPER LEFT SIDE COVER
- 11 0/000.570.8028 WHEEL COVER TANGO (FRAM.GT 701877)
- 11 0/000.570.8019 WHEEL COVER TANGO (FRAM.LT 701876)
- 12 0/000.570.8007 DASHBOARD COVER SET TANGO
- 13 0/000.570.8003 FRONT COVER SET TANGO
- 14 0/000.570.8006 TANK SIDE COVER SET TANGO
- 15 0/000.570.8005 LOWER SIDE COVER SET TANGO
- 16 0/000.910.8002 BATTERY BOX (FRAM.GT 701877)
- 16 0/000.910.8001 BATTERY BOX (FRAM.LT 701876)
- 17 0/000.980.8007 LOWER CASE SUPPORT
- 18 0/000.440.5000 NYLON WASHER
- 19 0/000.460.3031 SCREW ISO.7380 SPE.M6X20
- 20 0/000.460.3031 SCREW ISO 7380
- 21 0/000.460.1700 DARK BLUE SCREW DIN 6921 6X16 8,8
- 22 0/000.460.1700 SCREW DIN 6921
- 23 0/000.460.1700 SCREW DIN 6921
- 24 0/000.460.1700 SCREW DIN 6921
- 25 0/000.460.1700 SCREW DIN 6921
- 26 0/000.460.1703 SCREW DIN 7985
- 27 0/000.980.8006 CASE SECURING SUPPORT
- 28 0/000.920.8003 CERRADURA SILLIN SOLA C/LLAVE
- 29 0/000.340.0169 SELF-LOCKING NUT DIN 985 M6
- 30 0/000.970.6050 SPARK PLUG SPANNER AND SCREWDRIIVER SET
- 31 0/000.460.0756 BODYWORK STRIPPED SCREW
- 32 0/000.350.8000 SINGLE TOP CASE NO LOCK
- 33 0/000.920.8002 TOP CASE LOCK
- 34 0/000.460.1700 SCREW DIN 6921
- 35 0/000.460.1700 DARK BLUE SCREW DIN 6921
- 36 0/000.920.8001 COMPLETE ENGINE COVER KIT
- 37 0/000.200.8000 TANGO SHOCK ABSORBER COVER



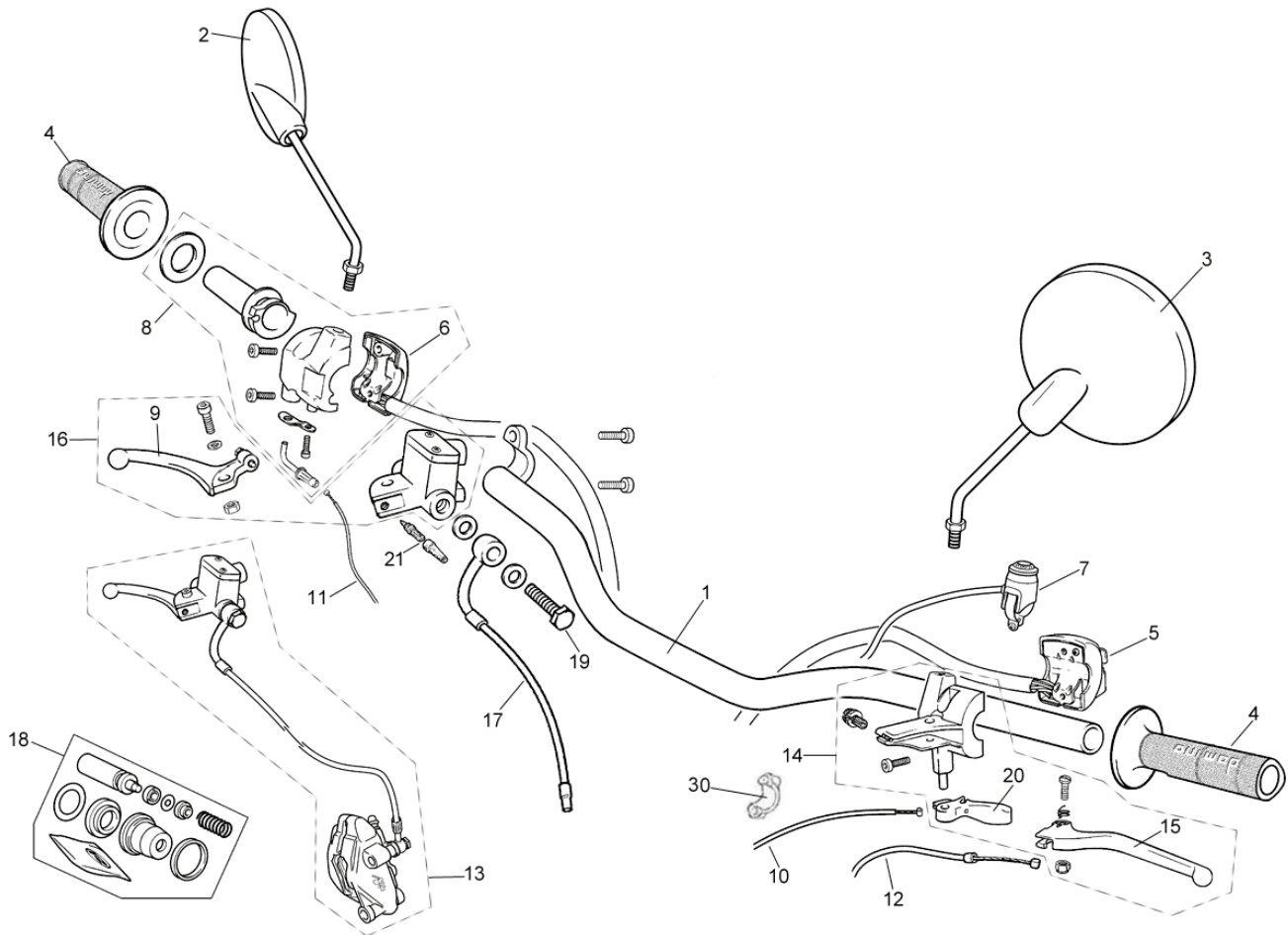
03 TANGO\k6y\DEPOSIT, ESCAPE TUBE AND RADIATOR

- 1 0/000.030.8001 FUEL TANK TANGO (FRAM.GT 701877)
- 1 0/000.030.8000 FUEL TANK TANGO (FRAM.LT 701876)
- 2 0/000.290.8000 EXHAUST PIPE DRIP PAN
- 3 0/005.082.6200 ENGINE 125 3D61
- 4 0/000.870.8001 COMPLETE EXHAUST LINE (FRAM.GT 701877)
- 4 0/000.870.8000 COMPLETE EXHAUST LINE (FRAM.LT 701876)
- 5 0/000.220.8001 EXHAUST LINE PROTECTION
- 6 0/000.350.5003 FILTER BOX COVER
- 7 0/000.910.5100 FILTER BOX BODY
- 8 0/001.070.6000 COMPLETE FILTER
- 9 0/000.370.0500 FUEL COCK
- 10 0/000.410.0502 FUEL TANK CAP LOCKING W/KEY
- 11 0/000.490.6000 EXHAUST JOINT
- 12 0/005.430.6000 GEARSHIFT
- 13 0/000.220.8002 EXHAUST PIPE PROTECTION (FRAM.LT 701876)
- 13 0/000.220.8004 EXHAUST PIPE PROTECTION (FRAM.GT 701877)
- 14 0/000.440.5001 KLING FIBRE WASHER
- 15 0/000.460.0311 SCREW DIN 912 M6X25
- 16 0/000.460.0660 SCREW DIN 6921 M8X30 (FRAM.GT 701877)
- 16 0/000.460.0671 SCREW DIN 6921 M8X30 (FRAM.LT 701876)
- 17 0/000.460.1189 SCREW ISO 7380 SPE.M6X9
- 18 0/000.460.1700 DARK BLUE SCREW DIN 6921 6X16 8.8 (FRAM.LT 701877)
- 18 0/000.440.5002 PLASTIC WASHER 6.1X16X1.5MM (FRAM.GT 701877)
- 19 0/000.460.1705 SCREW DIN 7985 M6X16 4.8H
- 20 0/000.480.7007 SEPARATOR 14X3X5.5
- 21 0/000.340.6000 BODYWORK QUICK NUT
- 22 0/000.290.0630 FUEL PIPE TANGO
- 23 0/000.460.0600 SCREW DIN 6921
- 24 0/000.680.0510 FUEL PIPE ELASTIC CLAMP
- 25 0/000.680.0520 FUEL COCK ELASTIC CLAMP
- 26 0/000.460.0310 SCREW DIN 912 M6X20
- 27 0/005.430.6200 KICK STARTER
- 28 0/000.460.0510 SCREW DIN 6921
- 29 0/000.460.0550 SCREW DIN 6921 M8X100
- 30 0/000.680.6000 CLAMP BIS D.48
- 31 0/000.360.8000 RUBBER JOINT CARBURETTOR FILTER BOX
- 32 0/000.470.5007 FIXING SPRING ELECTRIC MALLETT
- 33 0/000.260.8010 DOLLA EXHAUST
- 34 0/000.680.6200 EXHAUST PIPE FASTENING CLAMP
- 35 0/000.440.8000 WASHER PROTECTION EXHAUST
- 50 0/000.390.5310 ALUMINIUM RIEJU ENGINE DECAL
- 52 0/000.640.6100 VALVULA AIS
- 53 0/000.980.8011 SOPORTE VALVULA AIS
- 54 0/000.460.0610 TORNILLO SOPORTE VALVULA
- 55 0/000.290.0632 TUBO GASOLINA NITRILICO NEGRO 5x8
- 56 0/000.640.8003 MANGUITO VALVULA AIS
- 57 0/000.640.8002 MANGUITO VALVULA AIS
- 58 0/000.680.8000 ABRASADERAS SUCCION MANGUITO VALVULA
- 59 0/001.060.8020 FUEL TANK CAP LOCKING W/KEY
- 60 0/000.290.8001 EXHAUST PIPE EURO 3
- 61 0/000.640.6200 PIPE



04 TANGO\k6y\SYSTEM ELECTRICS AND LIGHTS

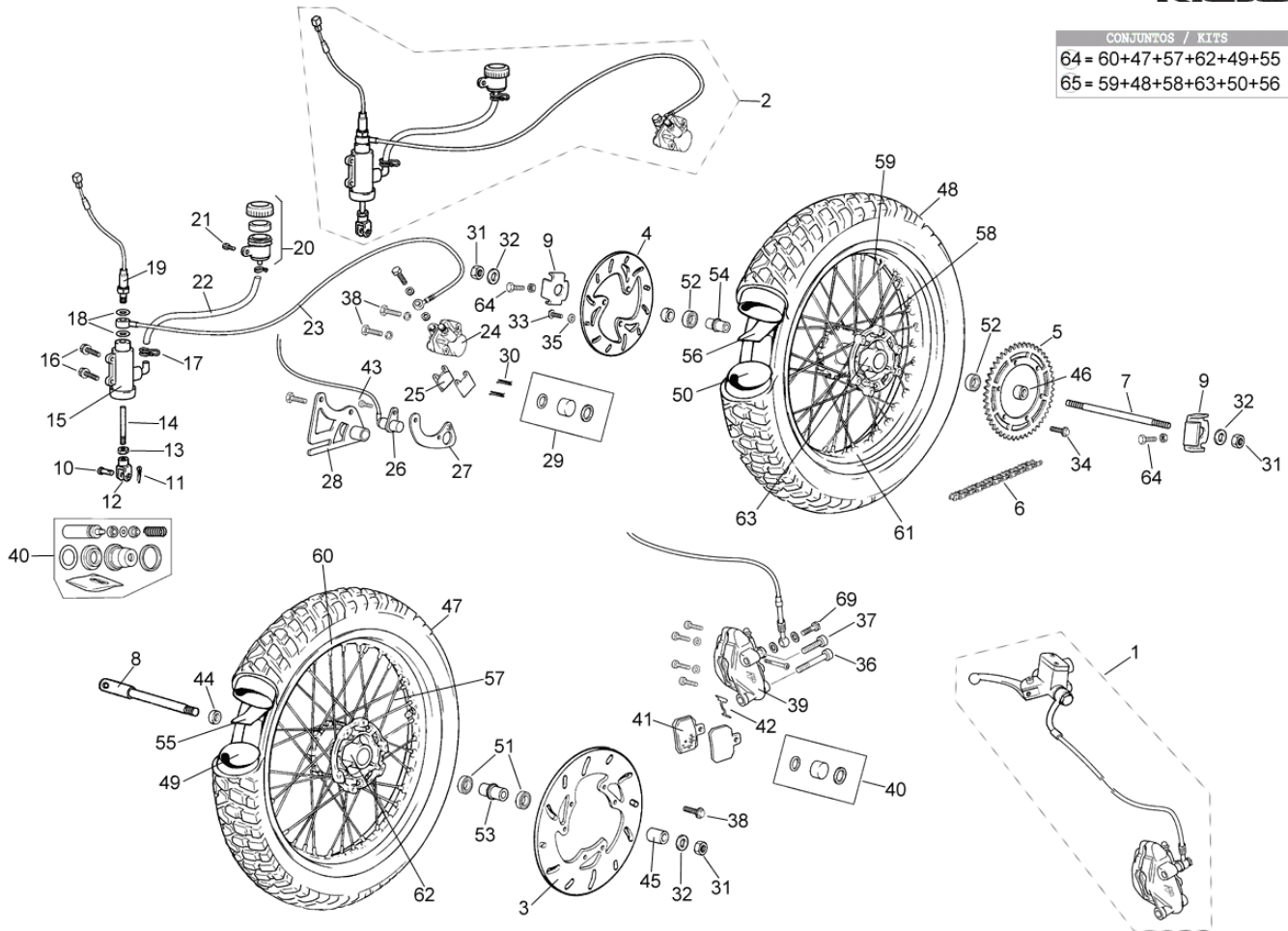
- 1 0/K01.000.2090 TABLIER DIGITAL MAE (SUBSTITUTION KIT)
- 2 0/000.160.8000 COMPLETE INSTALLATION
- 3 0/000.160.2091 DASHBOARD MAE SMX INSTALLATION
- 4 0/000.160.5003 TAIL LIGHT INSTALLATION
- 5 0/001.060.8000 IGNITION KEYS ONLY
- 5 0/001.060.8020 CONJUNTO LLAVES Y CIERRES COMPLETO
- 6 0/000.140.8001 COMPLETE HEADLIGHT TANGO (FRAM.GT 702310)
- 7 0/000.850.7002 LAMP H4 60/55 W
- 8 0/000.150.2100 RIGHT OVAL INDICATOR
- 9 0/000.150.2200 LEFT OVAL INDICATOR
- 10 0/000.420.5010 COMPLETE HORN
- 11 0/000.460.0744 TORNILLO PILOTO TRASERO DIN 7982 O 4.2x50
- 12 0/000.630.0501 SINGLE LIGHT PLASTIC PROTECTION
- 13 0/000.850.0001 12V LED BULB (POSITION+BRAKE)
- 14 0/000.980.2000 TAIL LIGHT SUPPORT
- 15 0/000.150.0510 TAIL LIGHT COMP/EURO
- 16 0/000.980.5009 BATTERY PROTECTION SUPPORT
- 17 0/000.900.6000 BATTERY
- 18 0/000.720.0016 WATERTIGHT TRIP SWITCH
- 19 0/000.980.8004 ELECTRIC COMPONENTS FIXING SUPPORT
- 20 0/001.200.6001 CONTACT RELAY (70Ah)
- 21 0/000.460.3031 SCREW DIN 7380 M6X20
- 22 0/000.460.1700 SCREW DIN 6921
- 23 0/000.460.1703 SCREW DIN 7985 M5X16
- 24 0/000.460.2003 ANTIMANIPULATION SCREW
- 25 0/000.460.6220 SCREW ISO 7380 M8X15
- 26 0/000.480.0710 WINDSHIELD RUBBER SEPARATOR
- 27 0/000.480.0711 SEPARATOR
- 28 0/005.070.6004 CDI COIL
- 28 0/005.070.6007 CDI COIL EURO 3 (8 PINS)
- 29 0/005.070.6002 HIGH COIL
- 30 0/000.360.6003 RELAY FIXING RUBBER
- 31 0/000.850.7004 SIDELIGHTS LAMP
- 32 0/000.910.0610 FUSE 10A.
- 33 0/005.110.6000 SPARK PLUG PIPETTE
- 34 0/005.070.6006 REGULATOR COIL
- 35 0/001.200.5030 INDICATOR SYSTEM
- 36 0/000.460.1700 SCREW DIN 6921 6X16
- 37 0/000.460.1703 SCREW DIN 7985 M5X16
- 38 0/005.070.6005 SONDRA TEMPERATURA AIRE
- 39 0/000.980.8012 FIXING SUPPORT (FRAM.GT 601601)
- 40 0/000.340.0169 NUT DIN 934 M6
- 41 0/005.070.6009 REGULATOR COIL EURO 3 (FRAM.GT 601601)
- 42 0/001.200.6003 STARTER RELAY EURO 3 (FRAM.GT 601601)
- 50 0/000.980.5014 SOPORTE CTA.KMS.DIGITAL M.A.E.
- 100 0/000.260.7001 CASQUILLO SILENTBLOCK
- 101 0/000.360.0490 GOMA SILENTBLOCK
- 102 0/000.460.1185 TLLLO. ESP. ISO 7380 M6x20



05 TANGO\k6y\MANILLARES AND CONTROLS

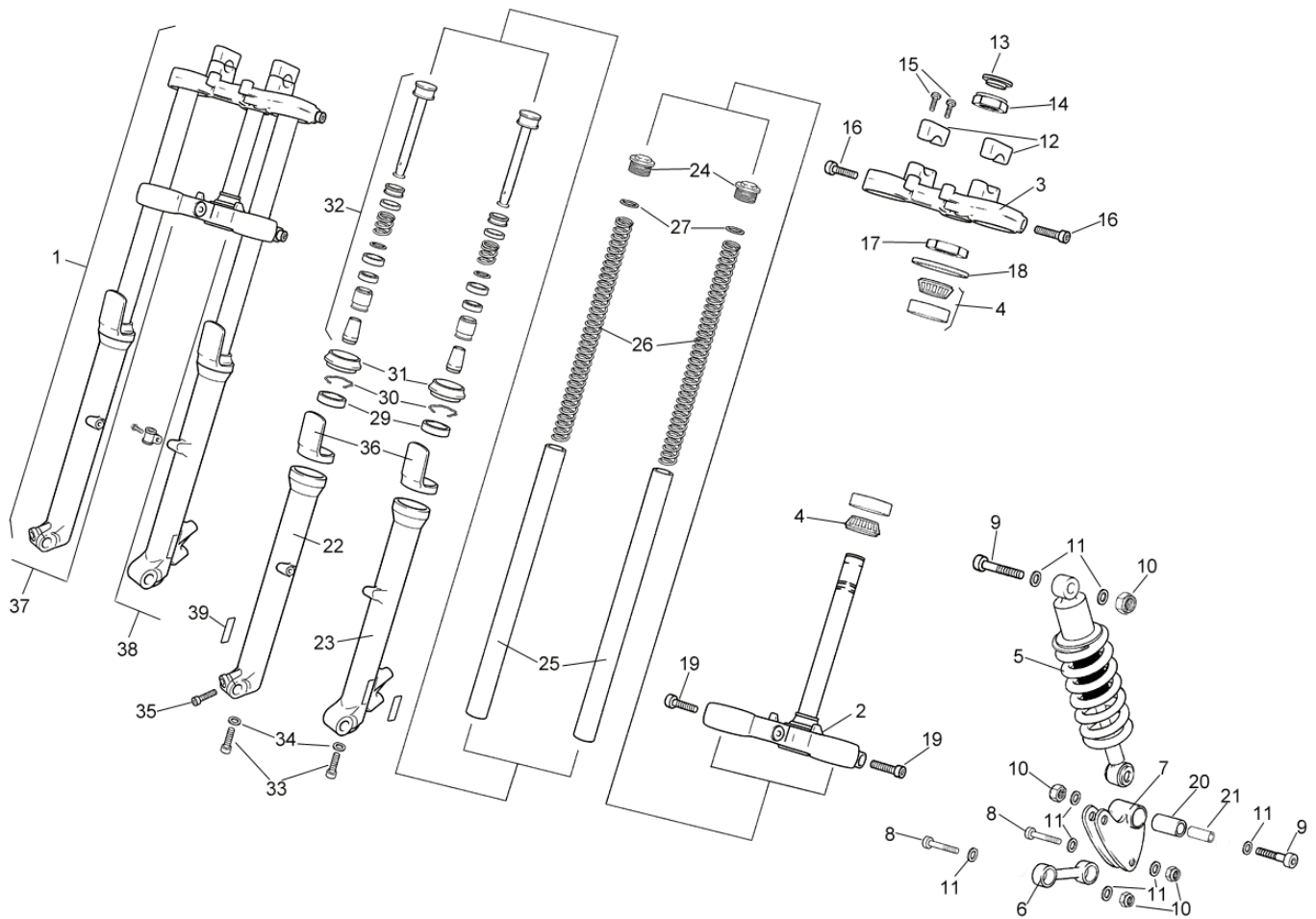
- 1 0/000.170.8000 HANDLEBAR TANGO
- 2 0/000.990.8000 RIGHT REAR-VIEW MIRROR
- 3 0/000.990.8001 LEFT REAR-VIEW MIRROR
- 4 0/000.530.5010 HANDLEBAR GRIPS
- 5 0/000.720.5000 LEFT SWITCH
- 6 0/000.720.6000 RIGHT SWITCH
- 7 0/000.720.0016 TRIP SWITCH
- 8 0/000.530.5000 COMPLETE THROTTLE TWIST GRIP W/RUBBER
- 9 0/000.830.1001 SINGLE FRONT BRAKE LEVER
- 10 0/000.550.6101 STARTER CABLE
- 11 0/000.550.6000 THROTTLE CABLE
- 12 0/000.550.8000 CLUTCH CABLE
- 13 0/000.820.8000 COMPLETE FRONT F.D.ASSY
- 14 0/000.830.5001 COMPLETE CLUTCH LEVER
- 15 0/000.830.1002 SINGLE CLUTCH LEVER
- 16 0/000.820.0312 COMPLETE FRONT BRAKE PUMP
- 17 0/000.290.8006 SINGLE FRONT BRAKE TUBE
- 18 0/000.640.0451 PUMP REPAIR KIT
- 19 0/000.460.1300 BRAKE ROD SCREW
- 20 0/000.830.5110 SINGLE STARTER LEVER
- 21 0/000.720.0070 FRONT BRAKE STOP SWITCH
- 30 0/000.830.8303 SOPORTE RETROVISOR MANETA EMBRAGUE

CONJUNTOS / KITS
 64 = 60+47+57+62+49+55
 65 = 59+48+58+63+50+56



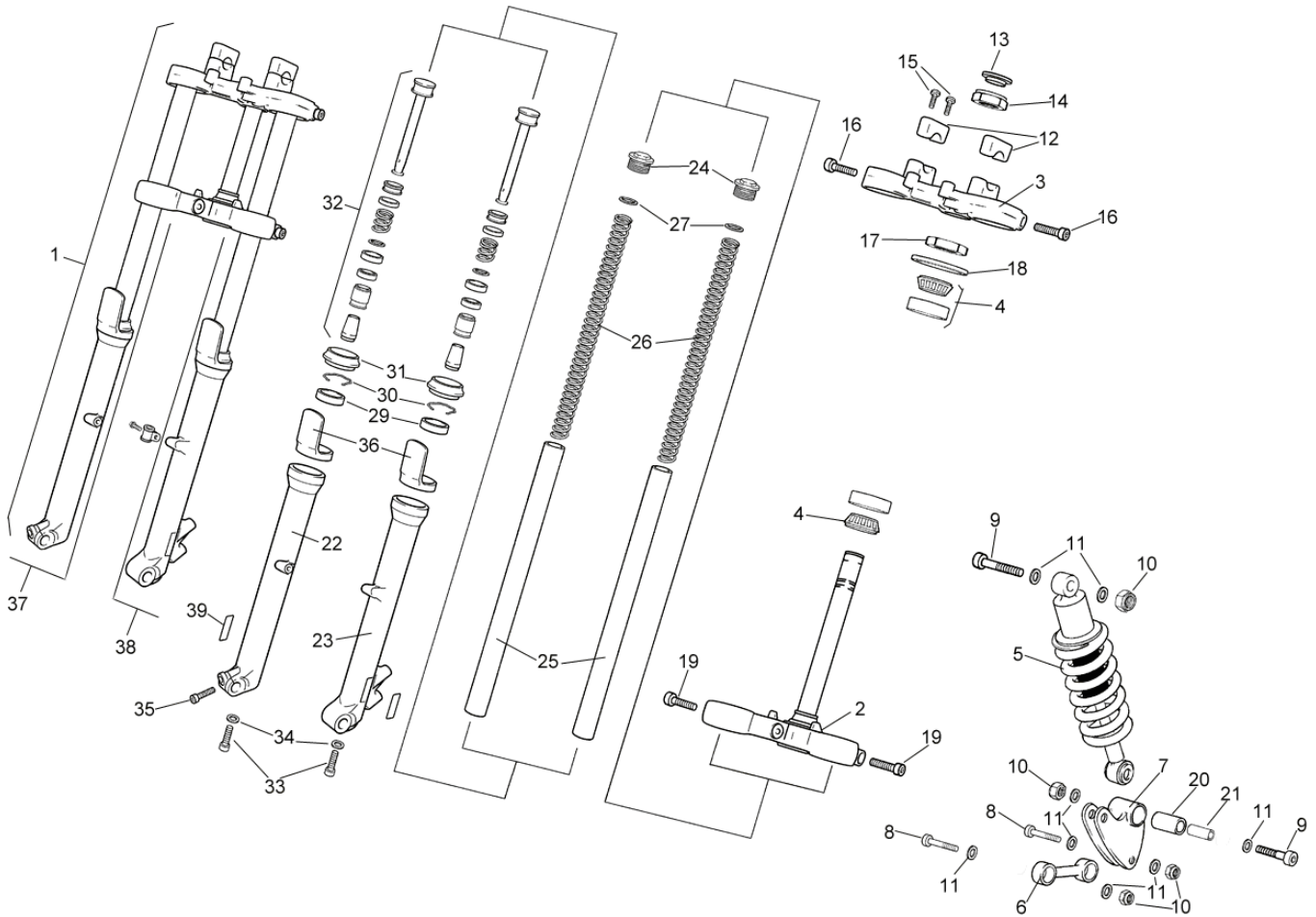
06 TANGO\k6y\WHEELS AND CONTROLS

- | | |
|--|--|
| 1 0/000.820.8000 COMPLETE FRONT BRAKE ASSY | 62 0/000.070.0121 FRONT ROLLER |
| 2 0/000.820.0761 COMPLETE REAR BRAKE ASSY | 63 0/000.080.0121 REAR ROLLER |
| 3 0/001.090.0203 FRONT BRAKE DISC | 63 0/000.080.0115 RED REAR ROLLER |
| 4 0/001.090.0250 REAR BRAKE DISC J. JUAN 200. | 63 0/000.080.0121 REAR ROLLER |
| 5 0/000.500.8300 DRIVE PLATE TANGO Z=44 | 63 0/000.080.0113 ORANGE REAR ROLLER |
| 6 0/001.050.8301 CHAIN HTP 124P | 63 0/000.080.0121 REAR ROLLER |
| 7 0/000.190.5200 REAR WHEEL AXLE | 64 0/000.110.8004 COMPLETE FRONT WHEEL W/O PNEUMATIC TANGO |
| 8 0/000.190.5100 FRONT WHEEL AXLE MRX | 65 0/000.120.8004 COMPLETE REAR WHEEL TANGO |
| 9 0/000.380.5100 WHEEL ADJUSTER | 69 0/000.190.8010 EJE FIJACION PASTILLAS |
| 10 0/000.840.0090 AXLE CONTROL PIN | |
| 11 0/000.840.0060 SECURING PIN | |
| 12 0/000.130.0150 BRAKE LEVER FORK | |
| 13 0/000.340.0130 NUT DIN 934 M6 | |
| 14 0/000.240.8000 PUMP CONTROL ROD | |
| 15 0/000.820.0310 REAR BRAKE PUMP | |
| 16 0/000.460.0610 SCREW DIN 6921 6X20 8,8 | |
| 17 0/000.680.0500 CLAMP | |
| 18 0/000.440.1040 JOINT WASHER BRAKE PUMP | |
| 19 0/000.720.0073 STOP SWITCH REAR BRAKE | |
| 20 0/000.030.0170 BRAKE FLUID TANK | |
| 21 0/000.460.1700 SCREW DIN 6921 6X16 | |
| 22 0/000.290.0243 BRAKE FLUID TUBE | |
| 23 0/000.290.5202 REAR BRAKE ROD | |
| 24 0/000.860.0012 SINGLE REAR BRAKE CLIP | |
| 25 0/000.930.0060 REAR BRAKE PADS | |
| 26 0/001.010.7008 ELECTRIC SENSOR RETURN | |
| 27 0/000.980.5015 SENSOR SUPPORT CTA KM | |
| 28 0/000.980.0750 REAR BRAKE CLIP SUPPORT | |
| 29 0/000.640.0420 REAR BRAKE CLIP REPAIR KIT | |
| 30 0/000.640.0110 PAD CLIPS | |
| 31 0/000.340.0300 NUT DIN 934 M14 | |
| 32 0/000.440.0123 WASHER DIN 125A M15 | |
| 33 0/000.460.0670 SCREW DIN 933 M8X25 | |
| 34 0/000.460.0672 SCREW DIN 6921 M8X35 | |
| 35 0/000.440.0180 GEAR WASHER DIN 9021/A M8 | |
| 36 0/000.460.0403 SCREW DIN 912 M10X60 8,8 | |
| 37 0/000.460.0400 SCREW DIN 910 M10X40 8,8 | |
| 38 0/000.460.0470 SCREWS M8X40 | |
| 38 0/000.460.0600 SCREW DIN 6921 6X16 8,8 | |
| 39 0/000.860.8002 FRONT BRAKE CLIP | |
| 40 0/000.640.0470 CJTO. KIT REPARACION BOMBA TRAS. | |
| 41 0/000.930.8000 FRONT DISC PADS TANGO | |
| 42 0/000.470.8020 CJTO.KIT.MUELLE F.D. | |
| 43 0/000.460.1704 SCREW DIN 7985 M6X10 | |
| 44 0/000.480.5011 SEPARATOR 25X5X20 | |
| 45 0/000.480.1543 SEPARATOR 25X5X12 | |
| 46 0/000.480.1544 SEPARATOR 25X5X15 | |
| 47 0/000.510.6060 FRONT TYRE 90/100-19 M/C | |
| 48 0/000.510.6160 REAR TYRE 120/90-16 M/C | |
| 49 0/000.520.6060 FRONT INNER TUBE | |
| 50 0/000.520.6160 REAR INNER TUBE | |
| 51 0/000.960.0050 WHEEL BALL BEARING 6202 | |
| 52 0/000.960.0050 WHEEL BALL BEARING 6202 | |
| 53 0/000.480.5006 BALL BEARING SEPARATOR | |
| 54 0/000.480.5007 WHEEL BALL BEARING SEPARATOR | |
| 55 0/000.220.0070 FRONT RIM INNER TUBE PROTECTION | |
| 56 0/000.220.0020 REAR INNER TUBE PROTECTION | |
| 57 0/000.540.8000 FRONT SPOKES W/NUT | |
| 58 0/000.540.8010 REAR SPOKES W/NUT | |
| 59 0/000.540.8020 REAR WHEEL SPOKES W/NUT | |
| 60 0/000.230.6060 FRONT RIM 19X1,85 | |
| 61 0/000.230.6160 REAR RIM 16X2,5 | |
| 62 0/000.070.0121 FRONT ROLLER | |
| 62 0/000.070.0113 ORANGE FRONT ROLLER | |
| 62 0/000.070.0115 RED FRONT ROLLER | |
| 62 0/000.070.0121 FRONT ROLLER | |



07 TANGO\k6y\SUSPENSION

- 1 0/000.130.8000 COMPLETE FORK TANGO
- 2 0/000.660.8000 LOWER FORK PLATE
- 3 0/000.660.8010 UPPER FORK PLATE
- 4 0/000.960.0200 STEERING BEARING
- 5 0/000.180.8000 REAR SHOCK ABSORBER TANGO
- 6 0/000.770.0104 SUSPENSION SMALL CONNECTING ROD
- 7 0/000.980.0630 SMALL CONNECTING ROD SUPPORT
- 8 0/000.460.0402 SCREW DIN 912 M10X50 8,8
- 9 0/000.460.0403 SCREW DIN 912 M10X60
- 10 0/000.340.0182 NUT DIN 985 M10
- 11 0/000.440.0110 WASHER DIN 125/A M10
- 12 0/000.350.6003 HANDLEBAR BRIDGE
- 13 0/000.410.6001 UPPER PIVOT
- 14 0/000.340.6002 FORK UPPER NUT
- 15 0/000.460.0352 SCREW M8X40
- 16 0/000.460.0350 SECURING SCREW UPPER PLATE
- 17 0/000.340.0550 LOWER STEERING PIVOT
- 18 0/000.200.7000 STEERING DUSTGUARD
- 19 0/000.460.0350 SECURING SCREW LOWER PLATE
- 20 0/000.360.0370 SINEMBLOCK SMALL CONNECTING ROD SUPPORT
- 21 0/000.480.1550 SMALL CONNECTING ROD RING NUT
- 22 0/000.880.8010 SINGLE RIGHT LEG
- 23 0/000.880.8000 SINGLE LEFT LEG
- 24 0/000.410.8001 BAR UPPER CAP
- 25 0/000.290.8011 FORK UPPER TUBE
- 26 0/000.470.8010 FORK SPRING
- 27 0/000.440.5101 SPRING WASHER
- 29 0/000.890.5002 FORK SEAL
- 30 0/000.300.5001 FORK SEAL CLIP
- 31 0/000.890.5003 SCRAPER DUSTGUARD
- 32 0/000.290.8010 COMPLETE HYDRAULIC TUBE
- 33 0/000.460.0345 SCREW M8X25
- 34 0/000.440.0180 WASHER
- 35 0/000.460.0352 SCREW M8X40
- 36 0/000.220.8010 FORK TUBE RUBBER PROTECTION
- 37 0/000.640.8010 RIGHT HALF-SUSPENSION ASSY
- 38 0/000.640.8011 LEFT HALF-SUSPENSION ASSY
- 39 0/000.390.0004 DECAL LOGO PAIOLI FORK



08 TANGO\k6y\SUSPENSION

- 1 0/000.130.8001 COMPLETE FORK TANGO
- 2 0/000.660.8002 LOWER FORK PLATE
- 3 0/000.660.8012 UPPER FORK PLATE
- 4 0/000.960.0200 STEERING BEARING
- 5 0/000.180.8000 REAR SHOCK ABSORBER TANGO
- 6 0/000.770.0104 SUSPENSION SMALL CONNECTING ROD
- 7 0/000.980.0630 SMALL CONNECTING ROD SUPPORT
- 8 0/000.460.0402 SCREW DIN 912 M10X50 8,8
- 9 0/000.460.0403 SCREW DIN 912 M10X60
- 10 0/000.340.0182 NUT DIN 985 M10
- 11 0/000.440.0110 WASHER DIN 125/A M10
- 12 0/000.350.6003 HANDLEBAR BRIDGE
- 13 0/000.410.6001 UPPER PIVOT
- 14 0/000.340.6002 FORK UPPER NUT
- 15 0/000.460.0350 SCREW M8X40
- 16 0/000.460.0352 SECURING SCREW UPPER PLATE
- 17 0/000.340.6001 LOWER STEERING PIVOT
- 18 0/000.200.7000 STEERING DUSTGUARD
- 19 0/000.460.0350 SECURING SCREW LOWER PLATE
- 20 0/000.360.0370 SINEMBLOCK SMALL CONNECTING ROD SUPPORT
- 21 0/000.480.1550 SMALL CONNECTING ROD RING NUT
- 22 0/000.880.8011 SINGLE RIGHT LEG
- 23 0/000.880.8001 SINGLE LEFT LEG
- 24 0/000.410.6008 BAR UPPER CAP
- 25 0/000.290.8012 FORK UPPER TUBE
- 26 0/000.470.6105 FORK SPRING
- 27 0/000.480.6201 SPRING WASHER
- 29 0/000.890.6006 FORK SEAL
- 30 0/000.300.6004 FORK SEAL CLIP
- 31 0/000.890.5003 SCRAPER DUSTGUARD
- 32 0/000.290.8013 COMPLETE HYDRAULIC TUBE
- 33 0/000.460.0345 SCREW M8X25
- 34 0/000.440.0181 WASHER
- 35 0/000.460.0341 SCREW M8X40
- 36 0/000.220.8010 FORK TUBE RUBBER PROTECTION
- 37 0/000.640.8012 RIGHT HALF-SUSPENSION ASSY
- 38 0/000.640.8013 LEFT HALF-SUSPENSION ASSY
- 39 0/000.390.5203 DECAL LOGO FORK
- 40 0/000.200.7001 STEERING DUSTGUARD